



**COMPONENT**  
HARDWARE®

# COMPONENT HARDWARE CATALOG

Your Global Partner for Innovative Solutions



**COMPONENT**  
HARDWARE®

[www.componenthardware.com](http://www.componenthardware.com)



# TABLE OF CONTENTS

TABLE OF CONTENTS	1
ABOUT US	2
SERVICES	3
GLOBAL MANUFACTURING CAPABILITIES	4-5
SUBASSEMBLIES	6-7
CUSTOM PRODUCT CAPABILITIES	8-9
NEW PRODUCTS	10-13
<b>COOKING HOOD</b>	<b>A14-A38</b>
<b>REACH-IN REFRIGERATION</b>	<b>B39-B69</b>
<b>WALK-IN REFRIGERATION</b>	<b>C70-C98</b>
<b>LIGHTING &amp; ELECTRICAL</b>	<b>D99-D117</b>
<b>EQUIPMENT LEGS</b>	<b>E118-E143</b>
<b>INSTITUTIONAL CASTERS</b>	<b>F144-F169</b>
<b>CABINET HARDWARE</b>	<b>G170-G200</b>
<b>CAFETERIA COMPONENTS</b>	<b>H201-H219</b>
<b>HOT SIDE COMPONENTS</b>	<b>I220-I223</b>
<b>FABRICATION SUPPLIES</b>	<b>J224-J236</b>
EUROPEAN CATALOG	EU237-EU274
CATEGORY INDEX	IND275-IND285
ALPHANUMERIC INDEX	IND286-IND291
TERMS & CONDITIONS	292



# COMPONENT HARDWARE

## ABOUT US

- Innovative manufacturer of specialty components and customized solutions since 1981
- Market leader with extensive engineering, global manufacturing and distribution capabilities
- Serving the foodservice, healthcare, hospitality, commercial and institutional markets
- Offering a wide array of commercial plumbing products, kitchen exhaust system components, fabrication hardware and refrigeration hardware
- Providing the industry's best casting, forging, stamping, machining, injection molding, extruding, fabrication and custom sub-assembly solutions

## WHY YOU SHOULD CHOOSE US

- **A trusted and valued supply partner**, solving our customers' problems - saving them time, money, and headaches
- **Global Supply Chain** ensures on-time delivery of quality products wherever you may need them to keep your production lines running smoothly and efficiently
- Our meticulous **Quality Assurance team** insures our products meet or exceed all market standards and regulatory requirements
- Ability to **cost-effectively engineer** and build specialty or proprietary component and subassembly solutions on projects of all sizes
- **Global engineering and manufacturing capabilities**, including machining, metal forming, forging, stamping, die and sand casting, plastic injection molding, extruding, fabrication and subassembly operations allow for complete design and customization flexibility
- **Comprehensive product catalog** of over 9,000 items including specialty and customer-proprietary items
- Our **virtual manufacturing model** permits us to own our product designs and tooling without incurring the prohibitive expenses of owning the physical production facilities

## WHERE TO FIND US

- Headquartered in Lakewood, NJ, USA with warehouses and sales offices located throughout the United States, Canada, Asia and Europe
- International distribution network ensures timely delivery of quality products to virtually any location in the world
- Follow us on LinkedIn, Facebook, Instagram and Twitter
- For further information, please visit our web site at: [www.componenthardware.com](http://www.componenthardware.com)



Lakewood, New Jersey



Fullerton, California



Dallas, Texas



Markham, Ontario



Breda, Netherlands



## Innovative Engineering

Strategic Solutions Provider – our dedicated team supports all your engineering and manufacturing needs from start to finish, whether it is a full concept design or just minor design changes to an existing product. We have the ability to develop unique custom solutions with a full staff of qualified mechanical and electrical engineers and offer comprehensive customer product design support with onsite design and technical assistance. It is our consultative design, reverse engineering capabilities, fast project/quote turnaround, value engineering for cost reduction and numerous patented and trademarked products that keep our customers coming back.

Our team of certified SolidWorks 3-D CAD professionals use 3-D rapid prototype modeling to help get from concept to prototype to production in the shortest time possible at the lowest possible cost.

Global Regulatory Compliance – our engineers work with outside testing agencies to insure your products meet or exceed all regulatory requirements, including NSF, UL, CE, WRAS, NFPA, and RoHS.



## Supply Chain Optimization

Strategic Warehousing – we’re committed to insuring we have the required high-quality finished parts on our shelves at all times, to take your production to the next level – we make a large investment in inventory, so our customers don’t have to.

Over 250,000 sq. ft. of dedicated warehouse space in the U.S., Canada and Europe.

Global Distribution Network – our global network of distributors ensures an uninterrupted supply of products – delivering what you need, when you need it.

International Logistics – our knowledgeable staff will insure the smooth, timely delivery of product wherever your facilities may be located.

## Custom Subassemblies

We are a strategic manufacturing partner by simplifying your production processes, so you can concentrate on your core business.

We have the capability to supply complex, subassemblies and complete assemblies. Besides supplying the individual component parts we are traditionally known for, like bearings and drawer slides, we can also help you to design and manufacture complete product assemblies and sub-assemblies to save you additional time and money.



# GLOBAL MANUFACTURING CAPABILITIES

## Forging

Forging is the oldest metal working process known to man and is the term used for shaping metal by using localized compressive forces. Cold forging is done at room temperature or near room temperature. Hot forging is done at a high temperature, which makes metal easier to shape and less likely to fracture. Warm forging is done at intermediate temperature between room temperature and hot forging temperatures. Forged parts can range in size from 2 oz. to 3 lbs. Forged parts usually require further processing to achieve a finished part. Forging results in metal that is stronger than cast or machined metal parts and can impart a high strength-to-weight ratio.



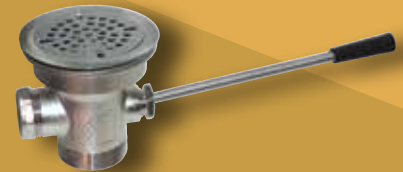
## Die Casting

During the die casting process, engineers inject molten metal into a steel mold, often under intense pressure. The sizes of the machines differ depending on the size of the respective mold. The complete die casting cycle varies depending on the weight and size of the components. Die casting is the fastest way of producing precise, high-quality, nonferrous metal parts.



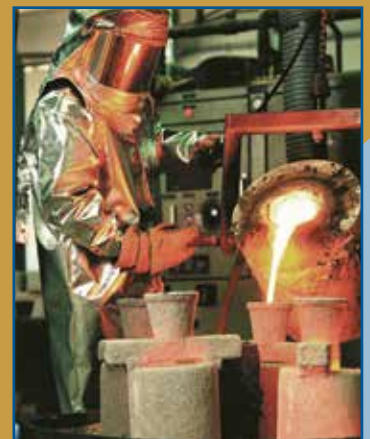
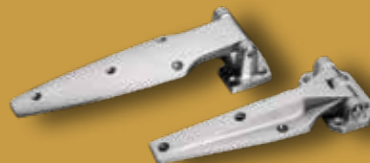
## Sand Casting

Sand casting, also known as sand molded casting, is a metal casting process characterized by using sand as the mold material. The term "sand casting" can also refer to an object produced via the sand casting process. Sand castings are produced in specialized factories called foundries.



## Investment Casting

Investment casting or lost wax casting is a process in manufacturing whereby a refractory ceramic material is used to coat a wax pattern. The geometry of the ceramic material takes the casting shape once it has fully hardened. The wax is melted, discharged from the mold and molten metal and poured into the wax pattern's cavity. Investment casting allows for the production of accurate components repetitively.



## Stamping

Stamping features a versatile range of sheet-metal forming manufacturing processes which include punching using a stamping press, bending, embossing or coining. Stamping can be done on sheet metal and some other materials such as polystyrene. A progressive die stamping process is characterized by multiple cutting and forming operations that take place simultaneously. Common materials used for progressive die stamping include various grades of stainless steel and cold rolled commercial steel. Also, tooling is generally less expensive here.







## Machining

Our machining operations are categorized into milling, turning, tapping, threading, and drilling. These operations use milling machines to cut workpieces while drilling operations use rotating cutters to produce and refine holes. Threading and tapping are processes that form or cut female and male mating pairs. All these procedures are essential and support our commercial kitchen components manufacturing.



## Plastic Injection Molding & Extruding

Plastic injection molding is a process that produces thermosetting and thermoplastic materials. It entails injecting molten plastic into a mold at high pressure, usually the inverse of the shape of the product. Then, molds are created using metal by mold makers or tool makers who use aluminum or steel to form the required features with utmost precision. Commonly used materials are ABS Nylon, polystyrene, polypropylene, PVC, and polyethylene.



## Wire Forming

Also referred to as wire forming or fabrication, metal forming involves bending and stamping wires into fabricated forms to create a wide range of items. Common products include wire racks, hooks, specialty pins, springs, clips, and other customized products. Our engineers perform wire forming processes either manually or using CNC machines. Stamping involves placing a stamp sheet metal, in either coil or blank form, into a stamping press. During the procedure, the die surface and a tool form a net-shaped product. Materials commonly used include various grades of stainless steel, commercial steel, and cold-rolled steel.



## Plating & Powder Coating

This is a collective name for surface-covering techniques that involve depositing a metal into a conductive surface. Plating prevents corrosion of electronic devices, faucets, and hinges. It influences product attributes such as wear-ability, paint adhesion, shielding, and conductivity. We specialize in zinc plating, electroplating, chrome plating, and nickel plating. Powder coating involves applying a distinctive dry powder coating, which does not need a solvent to keep the filler parts and binder in a liquid form. Engineers apply the powder electrostatically and cure it under heat to form a layer. The finish that it creates to our plumbing component manufacturing is tougher and harder than that of paint.



800-526-3694



800-513-3078



**COMPONENT  
HARDWARE**

## BUILDING COMPONENTS AND SUBASSEMBLIES TO YOUR DESIGN

Besides supplying the individual component parts we are traditionally known for, we can also help you to design and manufacture complete assemblies and subassemblies to save you additional time and money.



### We Can Help You...

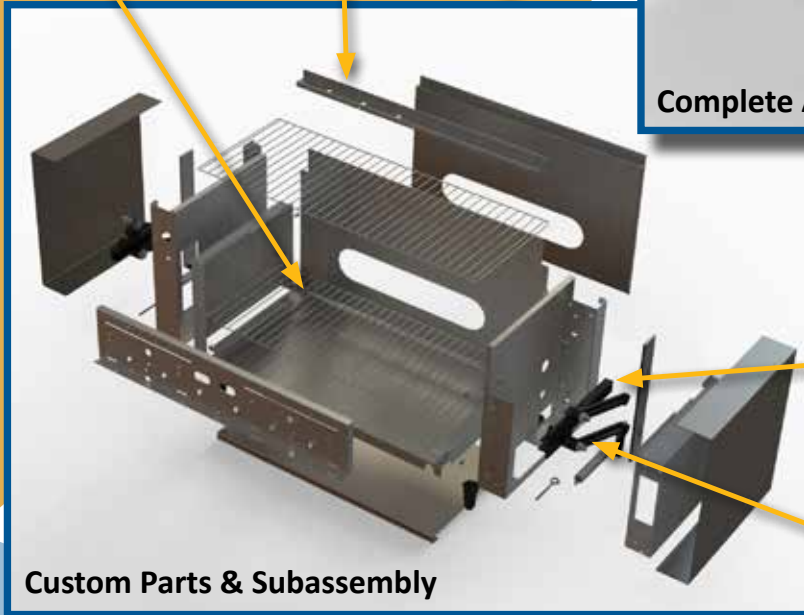
- Reduce labor costs
- Minimize inventory and obsolescence
- Take complexity out of manufacturing
- Reduce space/scrap/packaging



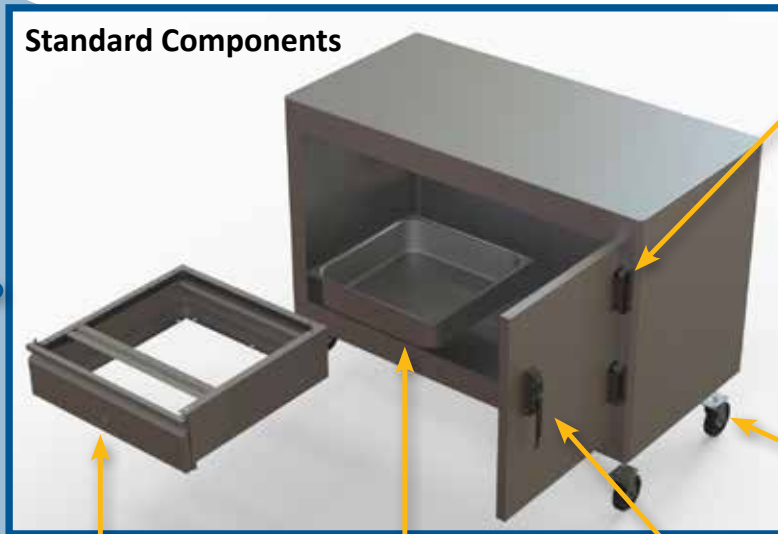
Let Component Hardware build your components and subassemblies to reduce cost and improve profitability.



Complete Assembly



Custom Parts & Subassembly



Standard Components



800-526-3694



800-513-3078



**COMPONENT**  
HARDWARE®



# CUSTOM PRODUCT CAPABILITIES

For many years, Component Hardware has been a trusted source for your individual component parts. Now, using our same reliable factories and supply chain, we can be trusted to furnish you with complex subassemblies and complete assemblies to help you take additional cost out of your procurement and production processes.



**Blower Fans**



**Cooling Fans**



**Fan Motors**



**Transformers**



**Fan Guards**

# CUSTOM PRODUCT CAPABILITIES



**Conveyer Belts**



**Handle Supports**



**Oven Thermostats**



**Oven/BBQ Grates & Grills**



**Spark Igniters**



**Heating Elements**



## Round Recessed Dimmable LED Down Light

- May be wired with a dimmer switch to control ideal lighting conditions at the work surface
  - 50,000 hour service life – 50 times longer than a standard 100W incandescent bulb
    - Rated to a maximum operating temperature of 80°C (176°F)
- Passivated aluminum heat sink effectively dissipates heat to prolong the life of the LEDs and on-board driver
  - Suitable for use in commercial cooking hoods
  - Suitable for use in wet or dry locations
    - Designed for easy installation
- Furnished with tempered glass lens and stainless steel frame



15 Watt  
LED-L80-15DN - Natural White  
LED-L80-15DW - Warm White



UL File# E339654



20 Watt  
LED-L80-20DN - Natural White  
LED-L80-20DW - Warm White



UL File# E339654

For more information go to page D107

## RECESS MOUNT NON-DIMMABLE LED PERIMETER ACCENT LIGHTS

- 4 Watt LED light • 290 lumens • 3000 Kelvins
- -4°F to 104°F (-20°C to 40°C) operating temperature
  - 50,000 hour rated LED lamp life
- 120 degree beam angle floods the workspace with light
- Supplied with two spring loaded mounting clips for easy installation - keeps bezel flush with hood surface
  - Satin chrome finish bezel matches hood • Supplied with polycarbonate lens
- HACCP Compliant – LED lighting runs cooler than old incandescent and fluorescent fixtures, helping you to better control food temperatures in your refrigerators/coolers/freezers. In addition, LED lights do not contain harmful mercury, like fluorescent fixtures, eliminating a potential chemical hazard in your workplace.



LED-PL35-W - Non-Dimmable

For more information go to page D113



## Lift-Off/Self-Closing Electronic Edgemount Hinge with Plunger Switch

- Can power one electrical appliance per hinge using the UL Recognized integrated plunger switch
  - Hinge design permits easy door removal without tools
- Same mounting hole configuration as our popular R50-Series hinge allows for easy retrofit applications
- Improved bracket and cam design extends the life cycle of the hinge and minimizes door wobble – tested above 250,000 cycles where one cycle is door opened and then closed
- Same mounting hole configuration as our popular R50-Series hinge allows for easy retrofit applications
  - Improved cover design reduces the chance of the cover coming off in the field
  - Die Cast Zamak® construction with polished chrome finish
    - For 1-5/8" door offset
  - Non-Handed – cam is field reversible for left or right hand door applications
    - Adjustable to compensate for gasket wear
- Hold Open Feature – dwell in cam allows door to remain open at 120-degrees for easy loading/unloading of product
- Overclose Feature – provides constant door pressure to insure a full gasket seal



For 1-5/8" Door Offset  
**R51-2000**



Contact Switch  
For 1-5/8" Door Offset  
**R51-2000-CS**  
PATENT 9,970,224



Plunger Switch  
For 1-5/8" Door Offset  
**R51-2000-RS**

For more information go to page B51



## Stainless Steel Leg Socket with Triangular Mounting Plate

- Permits KD shipping to reduce freight costs
- Type 304 stainless steel construction for strength, corrosion resistance and easy welding
  - Sturdy 14-gauge mounting plate with 1/2" turn down
  - Full 360-degree weld on leg socket for added strength
- 2" OD, 16-gauge leg socket for 1-5/8" OD round tubing applications
  - Satin stainless steel finish
- Supplied with one 5/16-24 x 5/16" long set screw to secure leg during installation

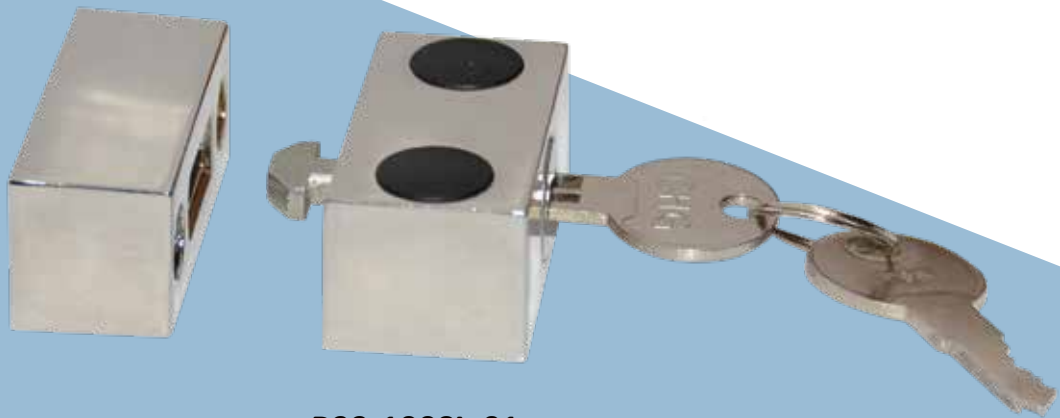


For 1-5/8" OD Round Tubing Applications  
**A18-0306-C**

For more information go to page E117

## LED Security Lock

- High polish chrome finish
  - Easy installation
- Vertical and horizontal adjustments
- Four-disc cylinder provides extra security
  - Black plastic caps included
- Compatible with glass and most other doors



**P99-100SL-01**

For more information go to page B57

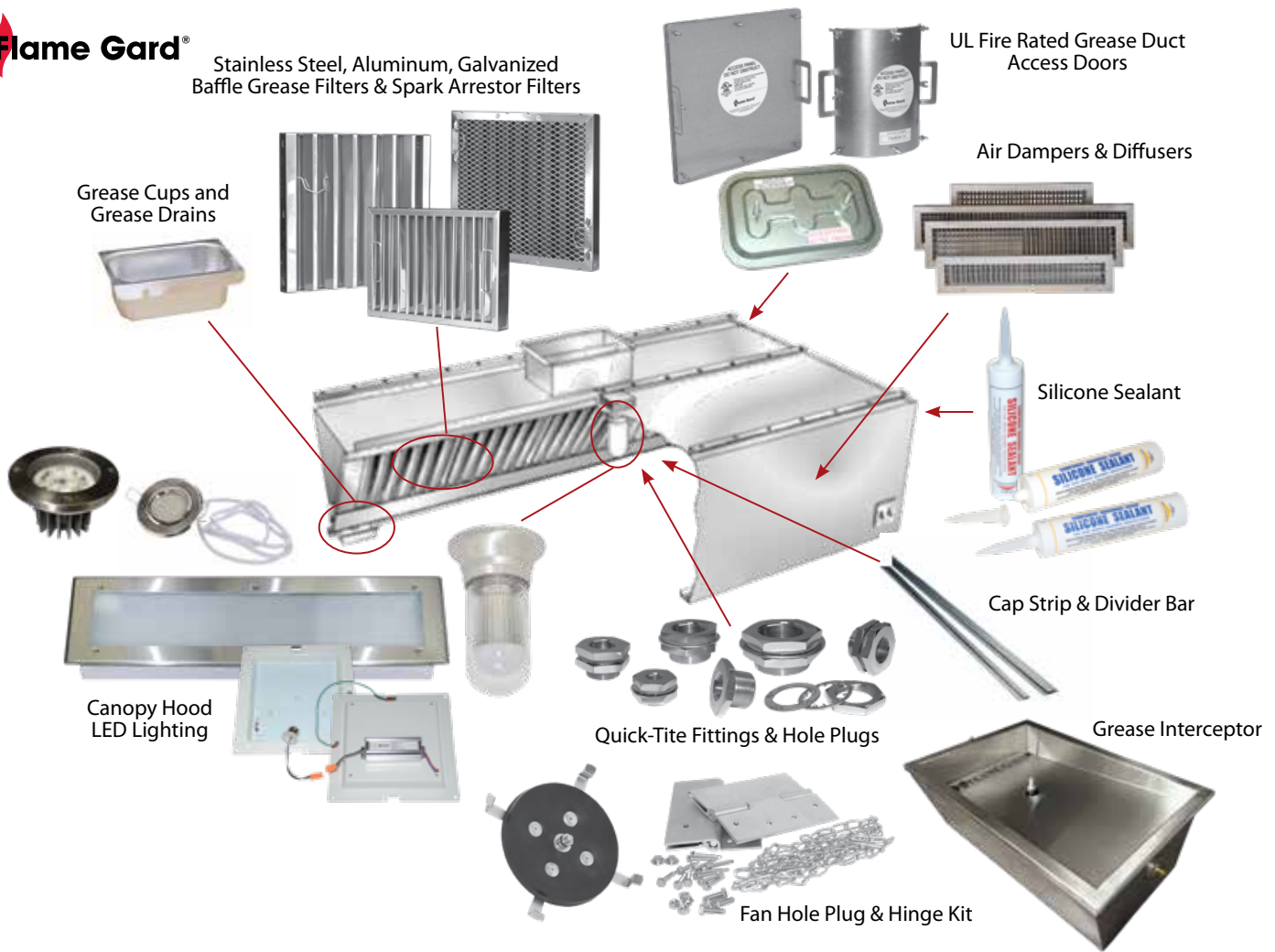


# COOKING HOOD

A

**Flame Gard®**

Stainless Steel, Aluminum, Galvanized  
Baffle Grease Filters & Spark Arrestor Filters



BAFFLE GREASE FILTERS

A15

FAN HINGES & MULTI-VALVE DAMPERS

A28

HOOD SIZING GUIDE

A16-A17

SILICONE SEALANT, TAPE, HANGERS & WELD PINS

A29

TYPE I FILTERS

A18

GREASE INTERCEPTOR

A30

TYPE II FILTERS

A19-A20

GASKET REPAIR KIT, ACCESS PANELS AND HI-TEMP ACCESS DOORS

A31

TYPE III FILTERS

A21

FLAT ACCESS DOORS

A32

TYPE VI FILTERS

A22-A23

CURVED ACCESS DOORS

A33

MESH FILTERS

A23

ORDER FORM-CUSTOM FLAT ACCESS DOORS

A34

MOLDING & DIVIDERS

A24

ORDER FORM-CURVED ACCESS DOORS

A35

GREASE CUPS

A25

ORDER FORM-CUSTOM CURVED ACCESS DOORS

A36

QUICK-TITE® FITTINGS

A26-A27

QUICK-TITE® HOLE PLUGS

A27

For Lighting Components, please see Lighting & Electrical on pages D97- D115

Grease filters play a critical role in the overall safety and effectiveness of a kitchen exhaust system. Filters should be carefully selected to provide the correct volume of air through the ventilator, which is determined by the size of hood, the cooking equipment under it and state or local code requirements. There are many manufacturers of grease filters but not all filters have UL Listing. For ultimate safety of the exhaust system and to minimize liability issues, be sure that the filters that you select are UL Listed. This ensures that they meet NFPA standards.

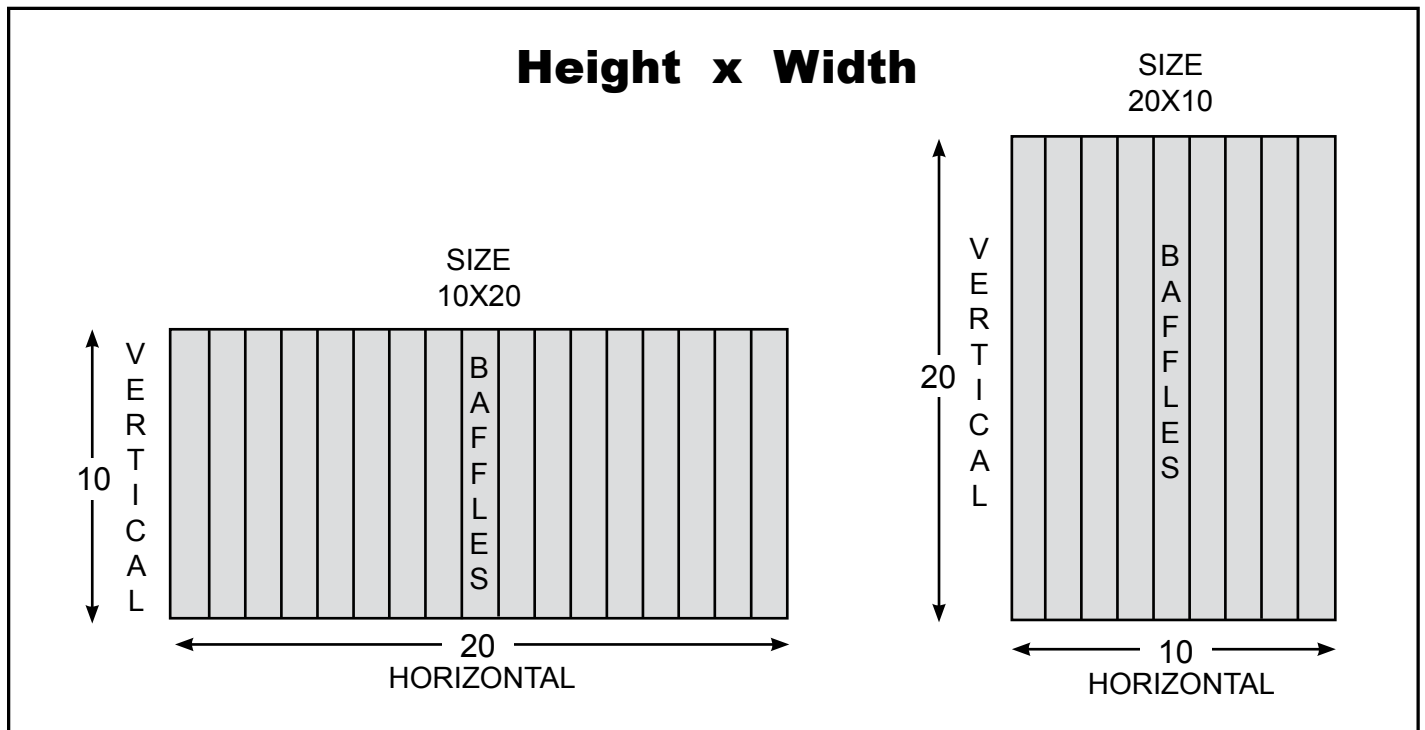
## ALL COMPONENT HARDWARE GREASE FILTERS ARE UL AND NSF LISTED AND MEET NFPA 96 STANDARDS.

Working in concert with the surface fire suppression system, grease filters provide a strong defense against catastrophic duct system fires. Filters are designed to remove most of the grease from the airstream before it enters the ductwork. The grease runs off the baffles into a collection device where it can be easily removed. Selecting the proper number of the correct size filters is most important to ensure that the balance of the exhaust system will not be compromised and that all of the exhaust air passes through the filters before entering the ductwork.

### HOW TO ORDER COMPONENT HARDWARE FILTERS

Filters MUST be installed with baffles running in the vertical (top to bottom) position so the grease will run down the baffles to the grease trough in the hood.

Standard sizes are ordered with the VERTICAL (top to bottom) dimension first, then the HORIZONTAL (left to right) dimension.



ALL FILTERS ARE AVAILABLE WITH SPECIAL LOCKING HANDLES.



FILTERS AVAILABLE WITH HOOK FOR USE IN CAPTIVE-AIRE STYLE HOODS.

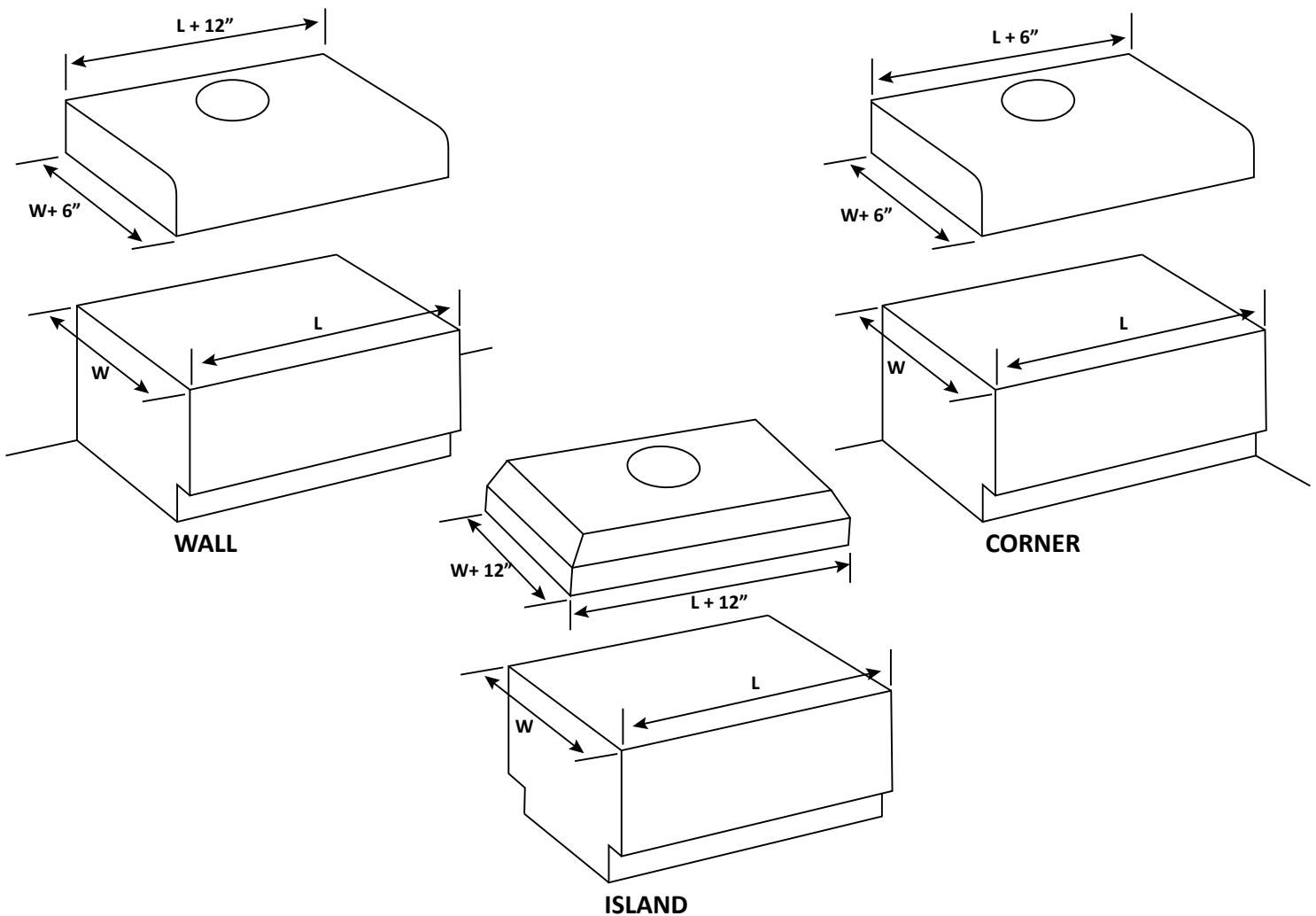
# Hood Sizing Guide

A

In order to choose the correct filter for a particular kitchen requirement, the following steps are suggested for good hood design. These steps assume a hood seven feet or less above the floor using our Type II baffle grease filters.

## STEP ONE - DETERMINE HOOD SIZE

For economy, the hood should be as small as possible. Therefore, there should be no work surfaces or blank spots between cooking surfaces. The hood should extend 6" beyond the cooking surface on all open sides. For example, an island canopy, open on four sides over a 42" x 72" grill, would have to be 54" x 84". A wall canopy over the same grill would have to be 48" x 84". A corner wall canopy would be 48" x 78".



## STEP TWO - DETERMINE EXHAUST VOLUME REQUIRED

Many states and local authorities have established codes requiring certain standards for exhaust air at kitchen hoods. In 1973, the NFPA 96 Standard for Total Exhaust Volume at an island type hood (open on four sides) was suggested at:

$$\text{Total Exhaust Volume} = 150 \times \text{Entrance Area of Hood}$$

For a wall hood (open on three sides), the code was:

$$\text{Total Exhaust Volume} = 100 \times \text{Entrance Area of Hood}$$

However, in 1976, NFPA 96 was revised, removing these formula and replacing them with a paragraph which gives more flexibility to the designer, but also assigns him the responsibility for determining the correct Total Exhaust Volume. The code in part says: "...exhaust air volumes for hoods shall be of sufficient level to provide for capture and removal of grease, but retain cooking vapors. Test data or performance acceptable to the authority having jurisdiction, or both, shall be provided or displayed, or both, upon request."

This wording allows a wide latitude of exhaust volumes, enabling the designer to suit the hood to the cooking situation. It is urged that the designer experiment with exhaust volumes, varying them until the proper volume is reached. This will inevitably result in reduced air movement requirements - less, in fact, than the so-called "safe formula" (Total Exhaust Volume = 100 x Entrance Area of Hood). A reduction of 25 to 50% of Total Exhaust Volume is often possible and has worked quite successfully in all types of cooking, from steam table operation to char-broilers. The savings in blower size and conditioned air exhausted can be considerable.

### STEP THREE - DETERMINE THE NUMBER OF FILTERS TO BE USED IN THE HOOD

Using either 20" or 25" widths which are standard sizes, select the best combination to fill the hood. On an 84" wall hood, for instance, three 25" wide filters would be 75" long, four 20" filters would be 80" long, and three 20" wide filters plus 2one 5" filter would be 85". This would be too wide, so four 20" filters would be the right choice.

### STEP FOUR - DETERMINE THE VOLUME OF AIR PER FILTER

Once the Total Volume in Step Two has been determined, divide that Volume by the Number of filters in Step Three. For example, using the "safe formula" of 100 x the Open Area (in feet) on a 48" x 84" wall hood, the Total Exhaust Volume (T.E.V.) would be:

$$\begin{aligned} \text{T.E.V.} &= 100 \times 48/12 \times 84/12 = 100 \times 4 \times 7 = 2800 \text{ C.F.M.} \\ \text{Dividing this by 4 (for 4 filters) would yield } &700 \text{ C.F.M. per filter.} \\ &\frac{2800}{4 \text{ filters}} = 700 \text{ C.F.M. per filter} \end{aligned}$$

### STEP FIVE - DETERMINE THE HEIGHT OF THE FILTERS REQUIRED

This is a very important step and frequently overlooked. It must be remembered that a greater filter height means a lower Velocity and Static Pressure for the same C.F.M. per filter.

Divide the C.F.M. per filter from Step Four by the Effective Area of each different Height filter to be considered and the result will be the Velocity in feet per minute. (Note: Use the Effective Area/Chart for the particular type filter selected.) Example:

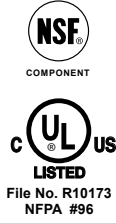
$$\begin{aligned} 700 \text{ C.F.M.} \div 2.88 \text{ sq. ft. for } 25 \times 20 &= 243 \text{ F.P.M.} \\ 700 \text{ C.F.M.} \div 2.25 \text{ sq. ft. for } 20 \times 20 &= 311 \text{ F.P.M.} \\ 700 \text{ C.F.M.} \div 1.75 \text{ sq. ft. for } 16 \times 20 &= 400 \text{ F.P.M.} \end{aligned}$$

Since the Type II Filters (for example) have excellent grease capture at velocities ranging from 200 to 500 F.P.M., any of these three would be used. However, it may be seen on the Static Pressure chart that the Static Pressure at 700 C.F.M. per filter is .410 for 25 x 20, .725 for 20 x 20, and 1.075 for 16 x 20. It is easily seen that the 25" high filter should be used if there is sufficient room. If a 20", or even a 16" height is maximum, then the Static Pressure penalty must be paid. (Note: Use the Static Pressure for the particular type filter selected.)

Once the filter and air volume requirements are determined, additional calculations are necessary to compensate for losses in entry, hood, transition, fan and exhaust exit. The compensating adjustments allow for the proper sizing of the fan and blower motor.

The final step required is to provide for make-up air to replace that which is exhausted.





## SELECTION CHART

ENGINEERING DATA CFM - STATIC PRESSURE

STATIC PRESSURE - INCHES OF H<sub>2</sub>O CFM PER FILTER - (75 AIR)



CFM PER FILTER - (75 AIR)

Size	10 x 16	10 x 20	12 x 20	16 x 20	16 x 25	20 x 20	20 x 25
350	.350	.185	.160	.075	.045	.030	.030
400	.495	.240	.205	.095	.055	.055	.040
450	.695	.310	.260	.120	.065	.065	.045
500		.390	.325	.145	.080	.080	.055
550		.485	.395	.175	.100	.100	.065
600		.595	.475	.215	.120	.120	.080
650		.720	.570	.255	.150	.150	.090
700			.670	.300	.180	.180	.105
750				.305	.210	.210	.120
800				.400	.250	.230	.140
850				.460	.290	.290	.165
900				.530	.330	.330	.185
950				.600	.380	.380	.210
1000				.670	.430	.430	.240
1050					.480	.480	.275
1100					.540	.540	.320
1150					.610	.610	.365

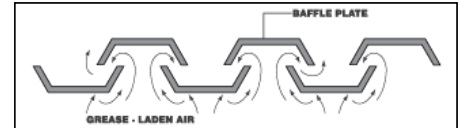
### TYPE I - FIXED BAFFLES SPARK ARRESTOR

MODEL NO.	NOMINAL SIZE - H X W	ACTUAL SIZE - H X W X D	WT. PER FILTER
151016	10" x 16" (254mm x 406mm)	9-1/2 x 15-1/2 x 1-3/4	7.4 lbs (3.36 kg)
151020	10" x 20" (254mm x 508mm)	9-1/2 x 19-1/2 x 1-3/4	9.1 lbs (4.13 kg)
151216	12" x 16" (305mm x 406mm)	11-1/2 x 15-1/2 x 1-3/4	8.4 lbs (3.81 kg)
151218	12" x 18" (305mm x 457mm)	11-1/2 x 17-1/2 x 1-3/4	9.3 lbs (4.22 kg)
151220	12" x 20" (305mm x 508mm)	11-1/2 x 19-1/2 x 1-3/4	10.1 lbs (4.58 kg)
151224	12" x 24" (305mm x 610mm)	11-1/2 x 23-1/2 x 1-3/4	12.75 lbs (5.78 kg)
151616	16" x 16" (406mm x 406mm)	15-1/2 x 15-1/2 x 1-3/4	10 lbs (4.54 kg)
151620	16" x 20" (406mm x 508mm)	15-1/2 x 19-1/2 x 1-3/4	12.65 lbs (5.74 kg)
151625	16" x 25" (406mm x 635mm)	15-1/2 x 24-1/2 x 1-3/4	16 lbs (7.26 kg)
152010	20" x 10" (508mm x 254mm)	19-1/2 x 9-1/2 x 1-3/4	9.4 lbs (4.26 kg)
152016	20" x 16" (508mm x 406mm)	19-1/2 x 15-1/2 x 1-3/4	12.65 lbs (5.74 kg)
152020	20" x 20" (508mm x 508mm)	19-1/2 x 19-1/2 x 1-3/4	15 lbs (6.8 kg)
152025	20" x 25" (508mm x 635mm)	19-1/2 x 24-1/2 x 1-3/4	17.9 lbs (8.12 kg)
152516	25" x 16" (635mm x 406mm)	24-1/2 x 15-1/2 x 1-3/4	14.55 lbs (6.6 kg)
152520	25" x 20" (635mm x 508mm)	24-1/2 x 19-1/2 x 1-3/4	18.2 lbs (8.26 kg)

### TYPE I - STANDARD FIXED BAFFLES - McDONALDS

MODEL NO.	NOMINAL SIZE - H X W	ACTUAL SIZE - H X W X D	WT. PER FILTER
MCD 116	10 x 16 (254mm x 406mm)	9-1/2 x 15-1/2 x 1-3/4	7.4 lbs (3.36 kg)
MCD 116-1.5	10 x 16 (254mm x 406mm)	9-1/2 x 15-1/2 x 1-1/2	7.2 lbs (3.27 kg)
MCD 120	10 x 20 (254mm x 508mm)	9-1/2 x 19-1/2 x 1-3/4	9.1 lbs (4.13 kg)
MCD 123	12 x 24 (305mm x 607mm)	11-1/2 x 23-1/2 x 1-3/4	13 lbs (5.9 kg)
MCD 126	12 x 16 (305mm x 406mm)	11-1/2 x 15-1/2 x 1-3/4	8.4 lbs (3.81 kg)
MCD 128	12 x 18 (305mm x 457mm)	11-1/2 x 17-1/2 x 1-3/4	9.3 lbs (4.22 kg)
MCD 133	13-1/2 x 23-13/16 (343mm x 605mm)	13 x 23-1/2 x 1-3/4	13 lbs (5.9 kg)
MCD 136	13-1/2 x 16 (343mm x 406mm)	13 x 15-1/2 x 1-3/4	10 lbs (4.54 kg)
MCD 139	13-1/2 x 19-1/2 (343mm x 495mm)	13 x 19 x 1-3/4	12 lbs (5.44 kg)

\*Measured 6" (152mm) behind Flame Gard Static pressure per filter, as included in this chart, represents the total static pressure for the system regardless of the number of filters used in the hood.



Type I's "U" shaped baffles with PTFE coating cause the grease to drain off the filter quickly. They resist flame penetration without disturbing the movement of the air. Type I filters have more baffles per square inch of filter, which means more grease impingement area and a high rate of grease extraction. The non-stick PTFE coating facilitates cleaning. Type I filters are easily cleaned in a pot sink or commercial dishwasher.

**Component Hardware Type I grease filters are the only filter with the exclusive Spark Arrestor screen to prevent airborne sparks and embers generated by solid fuel cooking from entering into the hood and duct system. Type I filters with Spark Arrestor meet criteria set by NFPA #96 for cooking with solid fuel.**

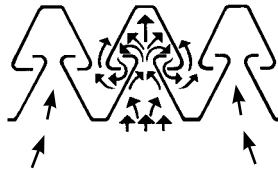
Holes for handles and brackets installed with filter purchase. All filters are available with special locking handles. **Add suffix "-MH"** to model number. Filters available with hook for use in Captive-Aire style hoods. **Add suffix "-H"** to model number.



# TYPE II - Heavy-Duty Stainless Steel Grease Filters

### OPERATION

Grease laden air is drawn into the filter by the exhaust fans. As the air starts through the aerodynamic "V" baffle system, it undergoes a series of compressions, expansions and pressure changes. The heavy grease is deposited safely and quickly on the baffles while the grease-free air passes through the filter and up the exhaust duct. The baffle's smooth surface enables the collected grease to run off into collection troughs without dripping on food, utensils or burner surfaces. The Component Hardware Grease filter method of separating grease and air has achieved superior levels for efficiency and safety not attained by competitor's filters.



### CONSTRUCTION

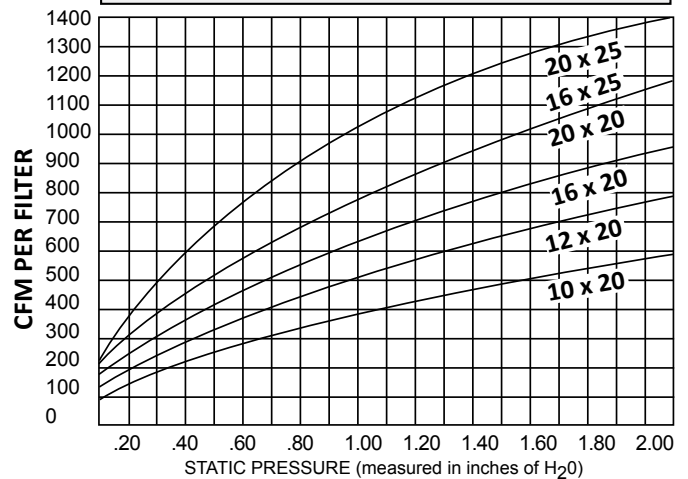
Component Hardware stainless steel grease filters are constructed of heavy duty stainless steel, providing the most durable filter available in today's market, and will provide years of trouble-free operation. There are no coatings to wear out and no involved mechanisms which can jam. All stainless steel grease filters are guaranteed against defects in workmanship or materials.

### MAINTENANCE

The all-stainless steel construction allows the filter to be soaked, sprayed or placed in a dishwasher for simplified cleaning, without concern for rusting or wearing out of surface coatings.

STATIC PRESSURE					
CFM per Filter	10"x20"	12"x20"	16"x20"	16x25" 20"x20"	25"x20"
150	.12	.02			
175	.18	.06			
200	.25	.11	.03		
225	.31	.16	.07		
250	.38	.21	.11	.03	
275	.46	.26	.15	.06	.03
300	.55	.31	.18	.09	.04
325	.63	.37	.23	.12	.06
350	.72	.43	.27	.15	.08
375	.84	.50	.32	.18	.10
400	.95	.56	.37	.22	.12
425	1.06	.62	.42	.25	.14
450	1.17	.70	.47	.28	.16
475	1.32	.77	.52	.32	.18
500	1.45	.85	.57	.36	.21
525	1.60	.92	.62	.40	.23
550	1.75	1.01	.66	.44	.25
575	1.90	1.10	.75	.48	.27
600		1.18	.81	.52	.30
625		1.27	.87	.57	.32
650		1.37	.93	.62	.35
675		1.47	1.01	.67	.37
700		1.58	1.07	.72	.41
725		1.70	1.14	.77	.43
750		1.81	1.22	.82	.46
775		1.95	1.30	.88	.49
800			1.37	.93	.53
825			1.46	1.00	.56
850			1.55	1.06	.60
875			1.65	1.12	.63
900			1.75	1.17	.67
925			1.87	1.23	.71

### AIR FLOW CHARACTERISTICS



### EFFECTIVE AREA CHART

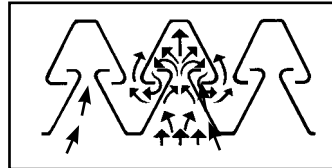
NOMINAL (in) L x W x T	EFFECTIVE AREA Square Feet
10 x 20 x 2	1.00
12 x 20 x 2	1.25
16 x 20 x 2	1.75
16 x 25 x 2	2.24
20 x 20 x 2	2.25
20 x 25 x 2	2.88

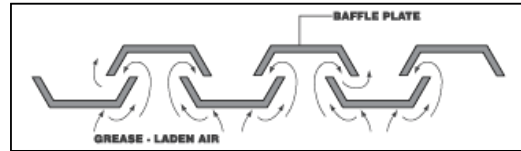


## TYPE II - STANDARD FIXED HEAVY DUTY STAINLESS STEEL BAFFLE

MODEL NO.	NOMINAL SIZE - H X W	ACTUAL SIZE - H X W X D	WT. PER FILTER
201616	16 x 16 (406mm x 406mm)	15-1/2 x 15-1/2 x 1-7/8	8 lbs (3.63 kg)
201620	16 x 20 (406mm x 508mm)	15-1/2 x 19-1/2 x 1-7/8	8.5 lbs (3.86 kg)
202016	20 x 16 (508mm x 406mm)	19-1/2 x 15-1/2 x 1-7/8	6.5 lbs (2.95 kg)
202020	20 x 20 (508mm x 508mm)	19-1/2 x 19-1/2 x 1-7/8	10.25 lbs (4.65 kg)
202025	20 x 25 (508mm x 635mm)	19-1/2 x 24-1/2 x 1-7/8	12 lbs (5.44 kg)

STATIC PRESSURE					
CFM per Filter	10"x20"	12"x20"	16"x20"	16x25" 20"x20"	25"x20"
150	.12	.02			
175	.18	.06			
200	.25	.11			
225	.31	.16	.03		
250	.38	.21	.07		
275	.46	.26	.11	.03	.03
300	.55	.31	.15	.06	.04
325	.63	.37	.18	.09	.06
350	.72	.43	.23	.12	.08
375	.84	.50	.27	.15	.10
400	.95	.56	.32	.18	.12
425	1.06	.62	.37	.22	.14
450	1.17	.70	.42	.25	.16
475	1.32	.77	.47	.28	.18
500	1.45	.85	.52	.32	.21
525	1.60	.92	.57	.36	.23
550	1.75	1.01	.62	.40	.25
575	1.90	1.10	.66	.44	.27
600		1.18	.75	.48	.30
625		1.27	.81	.52	.32
650		1.37	.87	.57	.35
675		1.47	.93	.62	.37
700		1.58	1.01	.67	.41
725		1.70	1.07	.72	.43
750		1.81	1.14	.77	.46
775		1.95	1.22	.82	.49
800			1.30	.88	.53
825			1.37	.93	.56
850			1.46	1.00	.60
875			1.55	1.06	.63
900			1.65	1.12	.67
925			1.75	1.17	.71
			1.87	1.23	





FULL FILTER HEIGHT BAFFLES AND "FRAMELESS" CONSTRUCTION MAXIMIZE THE AVAILABLE CAPTURE AREA WHILE INCREASING THE FILTER'S FREE AREA.

**TYPE III - STANDARD FIXED HEAVY DUTY STAINLESS STEEL BAFFLE**

MODEL NO.	NOMINAL SIZE - H X W	ACTUAL SIZE - H X W X D	WT. PER FILTER
301616	16 x 16 (406mm x 406mm)	15-1/2 x 15-1/2 x 1-5/8	5.38 lbs (2.44 kg)
301620	16 x 20 (406mm x 508mm)	15-1/2 x 19-1/2 x 1-5/8	6.5 lbs (2.95 kg)
301625	16 x 25 (406mm x 635mm)	15-1/2 x 24-1/2 x 1-5/8	8 lbs (3.63 kg)
302016	20 x 16 (508mm x 406mm)	19-1/2 x 15-1/2 x 1-5/8	6.5 lbs (2.95 kg)
302020	20 x 20 (508mm x 508mm)	19-1/2 x 19-1/2 x 1-5/8	7.75 lbs (3.52 kg)
302025	20 x 25 (508mm x 635mm)	19-1/2 x 24-1/2 x 1-5/8	9.5 lbs (4.31 kg)

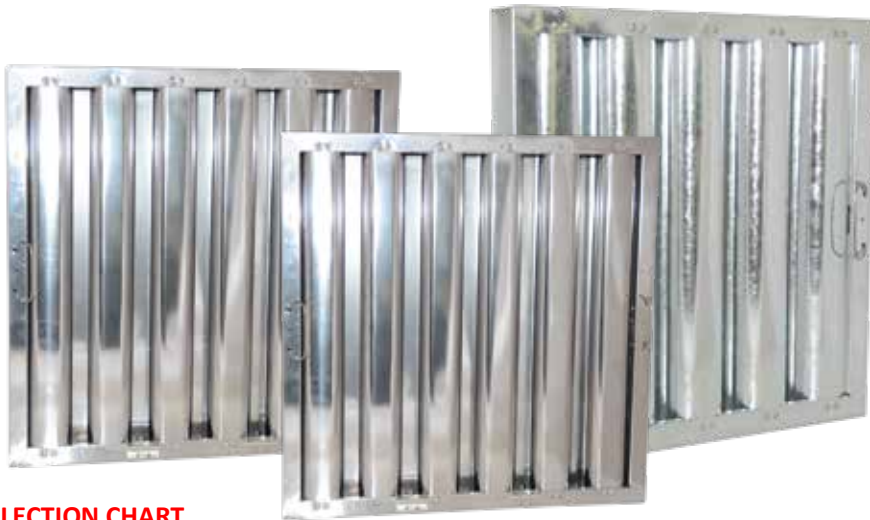
Holes for handles and brackets installed with filter purchase. All filters are available with special locking handles. **Add suffix "-MH"** to model number. Filters available with hook for use in Captive-Aire style hoods. **Add suffix "-H"** to model number.

CFM - Static Pressure  
Static Pressure - Inches of H2O

	10 x 16	10 x 20	16 x 16	16 x 20	16 x 25	20 x 16	20 x 20	20 x 25	25 x 16	25 x 20
200	.34	.19	.12	.07	.05	.09	.04	.03	.05	.03
300	.84	.48	.33	.19	.12	.23	.11	.07	.13	.07
400	1.46	.83	.57	.33	.21	.41	.19	.13	.23	.13
500	2.27	1.28	.86	.50	.32	.61	.29	.195	.355	.195
600	3.27	1.86	1.27	.73	.46	.90	.42	.28	.52	.29
700	4.45	2.53	1.73	.99	.63	1.23	.57	.38	.70	.39
800	5.73	3.32	2.26	1.30	.82	1.59	.74	.49	.92	.505
900	7.38	4.19	2.87	1.64	1.04	2.04	.94	.64	1.17	.65
1000	9.13	5.15	3.47	2.03	1.28	2.49	1.17	.78	1.425	.79
1100		6.24	4.27	2.44	1.55	3.04	1.40	.95	1.74	.97
1200		7.38	5.08	2.92	1.84	3.59	1.67	1.13	2.07	1.15
1300		8.74	5.98	3.42	2.17	4.26	1.97	1.33	2.44	1.35
1400			6.92	3.95	2.52	4.93	2.28	1.54	2.82	1.56
1500			7.95	4.55	2.89	5.66	2.61	1.77	3.24	1.80

ALL TESTS CONDUCTED BY CEDRT-AIRE TECHNICAL SERVICES TO AMCA STANDARD 500-89

# TYPE VI Filters



### SELECTION CHART

ENGINEERING DATA

CFM –STATIC PRESSURE

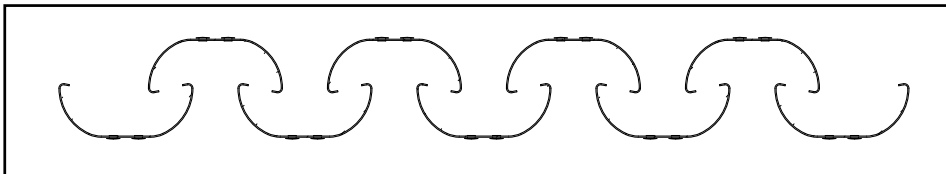
STATIC PRESSURE – INCHES OF H2O

Type VI Baffle Grease Filters (FA51, FG51 and FR51 Series)	
DIMENSIONS	NET FREE AREA (Sq. Ft.)
10 X 16	0.74
10 X 20	0.95
12 X 16	0.93
12 X 20	1.20
16 X 16	1.33
16 X 20	1.70
16 X 25	2.18
20 X 16	1.70
20 X 20	2.18
20 X 25	2.80
25 X 16	2.18
25 X 20	2.80

CFM PER FILTER – (75F AIR)

Size	10 x 16	10 x 20	12 x 16	12 x 20	16 x 16	16 x 20	16 x 25	20 x 16	20 x 20	20 x 25	25 x 16	25 x 20
200	.32	.16	.21	.11	.12	.06	.04	.07	.04	.05	.04	.02
250	.48	.25	.33	.17	.18	.09	.06	.11	.06	.09	.07	.04
300	.70	.35	.47	.25	.26	.13	.09	.16	.09	.12	.10	.06
350	.93	.48	.64	.34	.35	.18	.12	.21	.12	.17	.14	.08
400	1.22	.62	.83	.44	.46	.24	.16	.28	.16	.22	.18	.10
450	1.55	.79	1.05	.56	.58	.30	.20	.35	.20	.28	.23	.13
500	1.90	.97	1.29	.69	.71	.37	.25	.44	.25	.35	.28	.16
550	2.31	1.17	1.57	.83	.86	.45	.30	.52	.30	.42	.34	.19
600	2.73	1.40	1.85	.99	1.02	.53	.36	.61	.35	.50	.40	.22
650	3.22	1.64	2.20	1.16	1.20	.62	.42	.71	.41	.59	.47	.25
700	3.76	1.92	2.53	1.35	1.39	.72	.49	.81	.47	.68	.55	.29
750	4.31	2.19	2.92	1.56	1.61	.84	.56	.93	.55	.78	.63	.34
800	4.90	2.50	3.39	1.80	1.82	.96	.64	1.10	.63	.90	.72	.38
850	5.52	2.82	3.86	2.00	2.07	1.06	.71	1.22	.71	1.00	.80	.43
900	6.20	3.13	4.31	2.24	2.28	1.18	.79	1.39	.79	1.15	.89	.48
950	6.84	3.50	4.78	2.48	2.52	1.29	.88	1.52	.90	1.27	.99	.53
1000	7.58	3.88	5.31	2.75	2.81	1.42	.98	1.69	.98	1.40	1.10	.59

ALL TESTS CONDUCTED BY RTI INTERNATIONAL TO AMCA STANDARD 500-89



Our Type VI filters offer high performance at an economical price. The unique rounded baffle design maximizes grease impingement and facilitates cleaning.



## TYPE VI - STAINLESS STEEL BAFFLE GREASE FILTERS

MODEL NO.	NOMINAL SIZE - H X W	ACTUAL SIZE - H X W X D	WT. PER FILTER
FR51-1016	10" x 16" (254mm x 406mm)	9-5/8" x 15-3/4" x 1-3/4"	2.6 lbs (1.2 kg)
FR51-1020	10" x 20" (254mm x 508mm)	9-5/8" x 19-5/8" x 1-3/4"	3.2 lbs (1.5 kg)
FR51-1216	12" x 16" (305mm x 406mm)	11-5/8" x 15-3/4" x 1-3/4"	3.0 lbs (1.4 kg)
FR51-1220	12" x 20" (305mm x 508mm)	11-5/8" x 19-5/8" x 1-3/4"	3.6 lbs (1.7 kg)
FR51-1616	16" x 16" (406mm x 406mm)	15-3/4" x 15-3/4" x 1-3/4"	3.8 lbs (1.8 kg)
FR51-1620	16" x 20" (406mm x 508mm)	15-3/4" x 19-5/8" x 1-3/4"	4.5 lbs (2.1 kg)
FR51-1625	16" x 25" (406mm x 635mm)	15-3/4" x 24-5/8" x 1-3/4"	5.6 lbs (2.6 kg)
FR51-2016	20" x 16" (508mm x 406mm)	19-5/8" x 15-3/4" x 1-3/4"	4.6 lbs (2.1 kg)
FR51-2020	20" x 20" (508mm x 508mm)	19-5/8" x 19-5/8" x 1-3/4"	5.5 lbs (2.5 kg)
FR51-2025	20" x 25" (508mm x 635mm)	19-5/8" x 24-5/8" x 1-3/4"	6.7 lbs (3.1 kg)
FR51-2516	25" x 16" (635mm x 406mm)	24-5/8" x 15-3/4" x 1-3/4"	5.7 lbs (2.6 kg)
FR51-2520	25" x 20" (635mm x 508mm)	24-5/8" x 19-5/8" x 1-3/4"	6.8 lbs (3.1 kg)

Holes for handles and brackets installed with filter purchase. All filters are available with special locking handles. Add suffix "-MH" to model number. Mounting clips required for Captive Aire hoods – FR51-X015 (pair).



## TYPE VI - GALVANIZED BAFFLE GREASE FILTERS

MODEL NO.	NOMINAL SIZE - H X W	ACTUAL SIZE - H X W X D	WT. PER FILTER
FG51-1016	10" x 16" (254mm x 406mm)	9-5/8" x 15-3/4" x 1-3/4"	2.6 lbs (1.2 kg)
FG51-1020	10" x 20" (254mm x 508mm)	9-5/8" x 19-5/8" x 1-3/4"	3.2 lbs (1.5 kg)
FG51-1216	12" x 16" (305mm x 406mm)	11-5/8" x 15-3/4" x 1-3/4"	3.0 lbs (1.4 kg)
FG51-1220	12" x 20" (305mm x 508mm)	11-5/8" x 19-5/8" x 1-3/4"	3.6 lbs (1.7 kg)
FG51-1616	16" x 16" (406mm x 406mm)	15-3/4" x 15-3/4" x 1-3/4"	3.8 lbs (1.8 kg)
FG51-1620	16" x 20" (406mm x 508mm)	15-3/4" x 19-5/8" x 1-3/4"	4.5 lbs (2.1 kg)
FG51-1625	16" x 25" (406mm x 635mm)	15-3/4" x 24-5/8" x 1-3/4"	5.6 lbs (2.6 kg)
FG51-2016	20" x 16" (508mm x 406mm)	19-5/8" x 15-3/4" x 1-3/4"	4.6 lbs (2.1 kg)
FG51-2020	20" x 20" (508mm x 508mm)	19-5/8" x 19-5/8" x 1-3/4"	5.5 lbs (2.5 kg)
FG51-2025	20" x 25" (508mm x 635mm)	19-5/8" x 24-5/8" x 1-3/4"	6.7 lbs (3.1 kg)
FG51-2516	25" x 16" (635mm x 406mm)	24-5/8" x 15-3/4" x 1-3/4"	5.7 lbs (2.6 kg)
FG51-2520	25" x 20" (635mm x 508mm)	24-5/8" x 19-5/8" x 1-3/4"	6.8 lbs (3.1 kg)

Holes for handles and brackets installed with filter purchase. All filters are available with special locking handles. Add suffix "-MH" to model number. Mounting clips required for Captive Aire hoods – FR51-X015 (pair).





## TYPE VI - ALUMINUM BAFFLE GREASE FILTERS

MODEL NO.	NOMINAL SIZE - H X W	ACTUAL SIZE - H X W X D	WT. PER FILTER
FA51-1016	10" x 16" (254mm x 406mm)	9-5/8" x 15-3/4" x 1-3/4"	1.0 lbs (0.5 kg)
FA51-1020	10" x 20" (254mm x 508mm)	9-5/8" x 19-5/8" x 1-3/4"	1.2 lbs (0.6 kg)
FA51-1216	12" x 16" (305mm x 406mm)	11-5/8" x 15-3/4" x 1-3/4"	1.1 lbs (0.6 kg)
FA51-1220	12" x 20" (305mm x 508mm)	11-5/8" x 19-5/8" x 1-3/4"	1.4 lbs (0.7 kg)
FA51-1616	16" x 16" (406mm x 406mm)	15-3/4" x 15-3/4" x 1-3/4"	1.4 lbs (0.7 kg)
FA51-1620	16" x 20" (406mm x 508mm)	15-3/4" x 19-5/8" x 1-3/4"	1.7 lbs (0.8 kg)
FA51-1625	16" x 25" (406mm x 635mm)	15-3/4" x 24-5/8" x 1-3/4"	2.1 lbs (1.0 kg)
FA51-2016	20" x 16" (508mm x 406mm)	19-5/8" x 15-3/4" x 1-3/4"	1.7 lbs (0.8 kg)
FA51-2020	20" x 20" (508mm x 508mm)	19-5/8" x 19-5/8" x 1-3/4"	2.1 lbs (1.0 kg)
FA51-2025	20" x 25" (508mm x 635mm)	19-5/8" x 24-5/8" x 1-3/4"	2.5 lbs (1.2 kg)
FA51-2520	25" x 20" (635mm x 508mm)	24-5/8" x 19-5/8" x 1-3/4"	2.5 lbs (1.2 kg)

Holes for handles and brackets installed with filter purchase. All filters are available with special locking handles. Add suffix "-MH" to model number. Mounting clips required for Captive Aire hoods – FR51-X015 (pair).



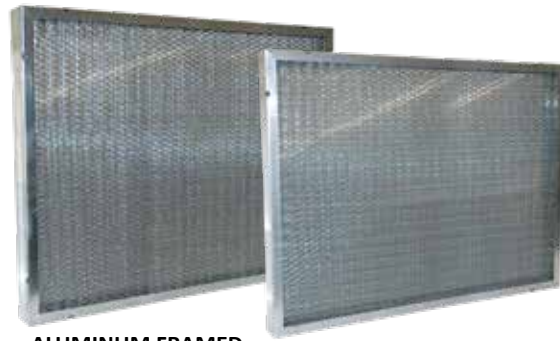
## FILTER HOOK KIT

FOR TYPE VI FILTERS

- STAINLESS STEEL
- CONVERTS STANDARD FILTER FOR USE IN CAPTIVE AIR HOODS



MODEL NO.	QTY
FR51-X015	1 Pair



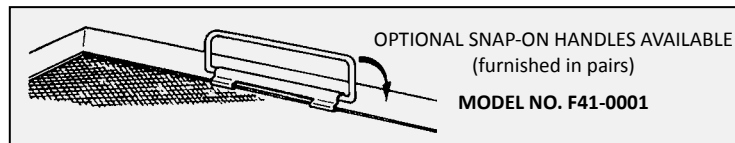
**ALUMINUM FRAMED  
F40 SERIES**

**GALVANIZED STEEL FRAMED  
F41 SERIES**

## MESH TYPE AIR FILTERS STANDARD COMMERCIAL SIZES AVAILABLE IN ALUMINUM and GALVANIZED STEEL FRAMED MODELS

- RIGID HEAVY DUTY CONSTRUCTION • BEST PRICING
- CORROSION RESISTANT • ALL STEEL WIRE MESH DESIGN FOR MAXIMUM CAPTURE OF DUST PARTICLES

HEIGHT & WIDTH		ALUMINUM FRAMED		GALVANIZED STEEL FRAMED	
SIZE: INCHES (mm)	MODEL NO.	PACKAGE WGT: LBS. (kg)	MODEL NO.	PACKAGE WGT: LBS. (kg)	
10 x 20 (254 x 508)	<b>F40-1020</b>	11 (5)	<b>F41-1020</b>	14 (6)	
16 x 20 (406 x 508)	<b>F40-1620</b>	18 (8)	<b>F41-1620</b>	23 (10)	
16 x 25 (406 x 635)	<b>F40-1625</b>	22 (10)	<b>F41-1625</b>	28(13)	
20 x 20 (508 x 508)	<b>F40-2020</b>	22 (10)	<b>F41-2020</b>	28 (13)	
20 x 25 (508 x 635)	<b>F40-2025</b>	26 (12)	<b>F41-2025</b>	33 (15)	



NOTE: Standard package consists of six filters. Nominal thickness is 2" (51mm). Actual thickness is 1-3/4"(44mm). Actual height and width are 7/16"(11mm) less than nominal sizes listed. Special size filters and 1"(25mm) filters are furnished without handles. Lift handles are available on application. All stainless steel (frame and media) models available on application.

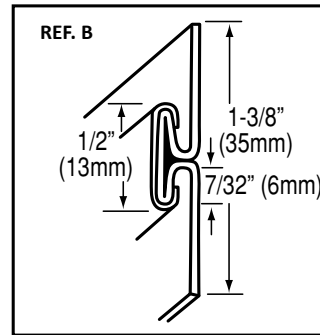
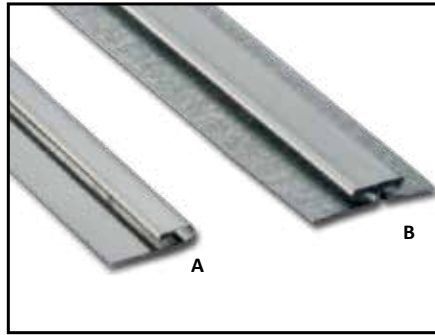
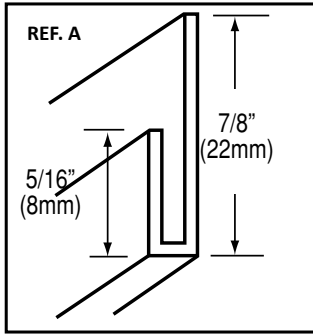
### AIR DELIVERY DATA CHART

NET FACE VELOCITY	RESISTANCE IN INCHES OF W.G. NOMINAL THICKNESS		CFM CAPACITY BY SIZE			
	FPM	1" INCH	2" INCH	16 x 20	16 x 25	20 x 20
267	.025	.020	467	597	600	768
356	.040	.038	623	796	800	1024
445	.067	.060	779	995	1000	1279
533	.100	.090	933	1192	1200	1532
622	.142	.129	1089	1391	1400	1788
711	---	.169	1244	1590	1600	2044
800	---	.218	1400	178	1800	2300



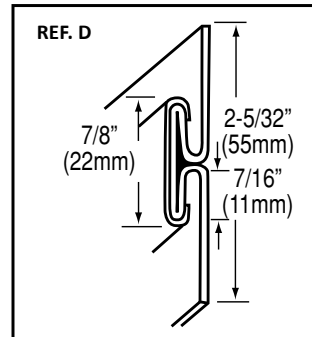
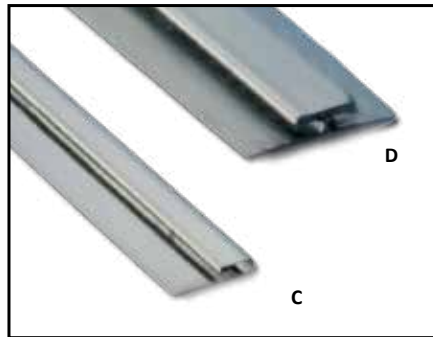
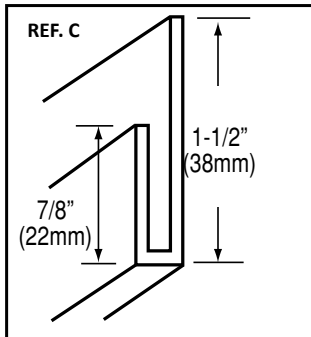
## MOULDINGS AND DIVIDERS

- NEW EXTRA WIDE PROFILE FOR EASIER INSTALLATION • ALL STAINLESS STEEL CONSTRUCTION • ACCEPTS 1/16" (1.6MM) WALL FLASHING MATERIAL • GRAIN OF FINISH MATCHES WALL LINING • AVAILABLE IN VARIOUS LENGTHS TO MINIMIZE SCRAP
- INDIVIDUALLY PLASTIC SLEEVED FOR PROTECTION OF FINISH • CAP STRIP HAS HEMMED EDGE FOR SAFETY



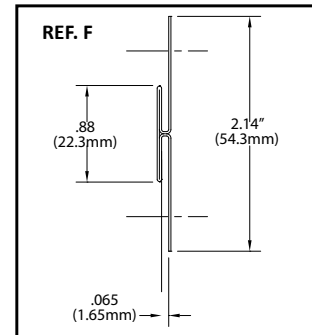
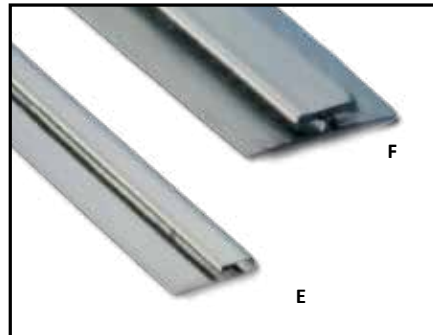
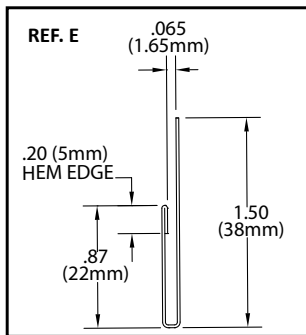
**STAINLESS STEEL CAP STRIP FOR 1/16" (1.6mm) MATERIAL, #4 SATIN FINISH**  
**MODEL NO. J63-1451**  
 7 FT (2.1m) LENGTH  
**MODEL NO. J63-1451-8**  
 8 FT (2.4m) LENGTH  
**MODEL NO. J63-1451-9**  
 9 FT (2.7m) LENGTH  
**MODEL NO. J63-1451-10**  
 10 FT (3m) LENGTH

**STAINLESS STEEL DIVIDER BAR WITH GALVANIZED BACK PLATE FOR 1/16" (1.6mm) MATERIAL, BRIGHT FINISH**  
**MODEL NO. J64-1450**  
 7 FT (2.1m) LENGTH  
**MODEL NO. J64-1450-8**  
 8 FT (2.4m) LENGTH  
**MODEL NO. J64-1450-9**  
 9 FT (2.7m) LENGTH  
**MODEL NO. J64-1450-10**  
 10 FT (3m) LENGTH



**EXTENDED LENGTH STAINLESS STEEL CAP STRIP FOR 1/16" (1.6mm) MATERIAL, #4 SATIN FINISH**  
**MODEL NO. J63-1651-78**  
 6.5 FT (2m) LENGTH  
**MODEL NO. J63-1651-120**  
 10 FT (3m) LENGTH

**EXTENDED LENGTH STAINLESS STEEL DIVIDER BAR WITH S/S BACK PLATE FOR 1/16" (1.6mm) MATERIAL, #4 SATIN FINISH**  
**MODEL NO. J64-1651-78**  
 6.5 FT (2m) LENGTH  
**MODEL NO. J64-1651-120**  
 10 FT (3m) LENGTH



**EXTENDED WIDE 304 STAINLESS STEEL CAP STRIP FOR 1/16" (1.6mm) MATERIAL, #4 SATIN FINISH**  
**MODEL NO. J63-2651-84**  
 7 ft (2.1m) LENGTH  
**MODEL NO. J63-2651-120**  
 10 ft (3m) LENGTH

**EXTENDED WIDE 304 STAINLESS STEEL DIVIDER BAR WITH S/S BACK PLATE FOR 1/16" (1.6mm) MATERIAL #4 SATIN FINISH**  
**MODEL NO. J64-2651-84**  
 7 ft (2.1m) LENGTH  
**MODEL NO. J64-2651-120**  
 10 ft (3m) LENGTH



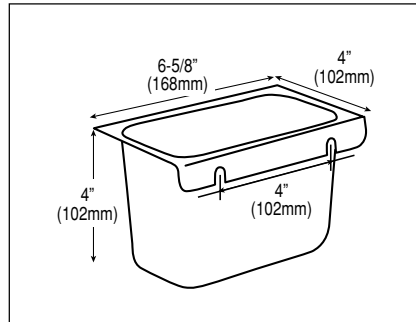
REMOVABLE STAINLESS STEEL CANOPY HOOD GREASE CUPS

• CONFORMS TO NFPA REQUIREMENTS



**KEYHOLE MOUNT CUP  
MODEL NO. F15-4000-C**

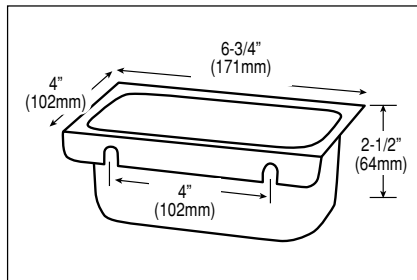
Size: 4" x 6-5/8" x 4" DEEP  
(102mm x 168mm x 102mm)



**KEYHOLE MOUNT CUP  
MODEL NO. F15-2500-C**

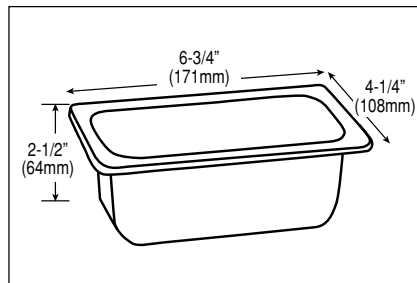
Size: 4" x 6-3/4" x 2-1/2" DEEP  
(102mm x 171mm x 64mm)

10° MOUNTING  
ANGLE



**SIDE MOUNT CUP  
MODEL NO. F15-0019**

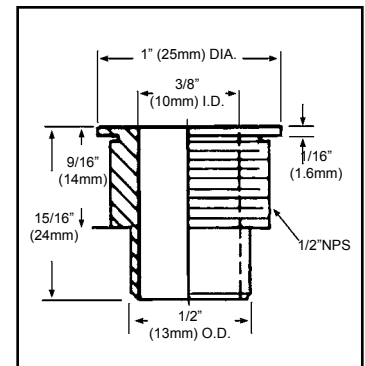
Size: 4-1/4" x 6-3/4" x 2-1/2" DEEP  
(108mm x 171mm x 64mm)



**NICKEL PLATED BRASS  
CANOPY HOOD DRAIN**

- DESIGNED FOR DRAINING GREASE FROM TROUGH TO GREASE CUP
- SUPPLIED WITH LOCKNUT AND WASHER
- FITS 1/2" (13mm) I.D. HOSE OR 3/8" (9.5mm) O.D. TUBING

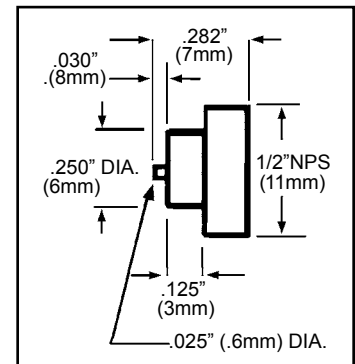
**MODEL NO. F10-1187**



**STAINLESS STEEL KEYHOLE  
WELD STUDS**

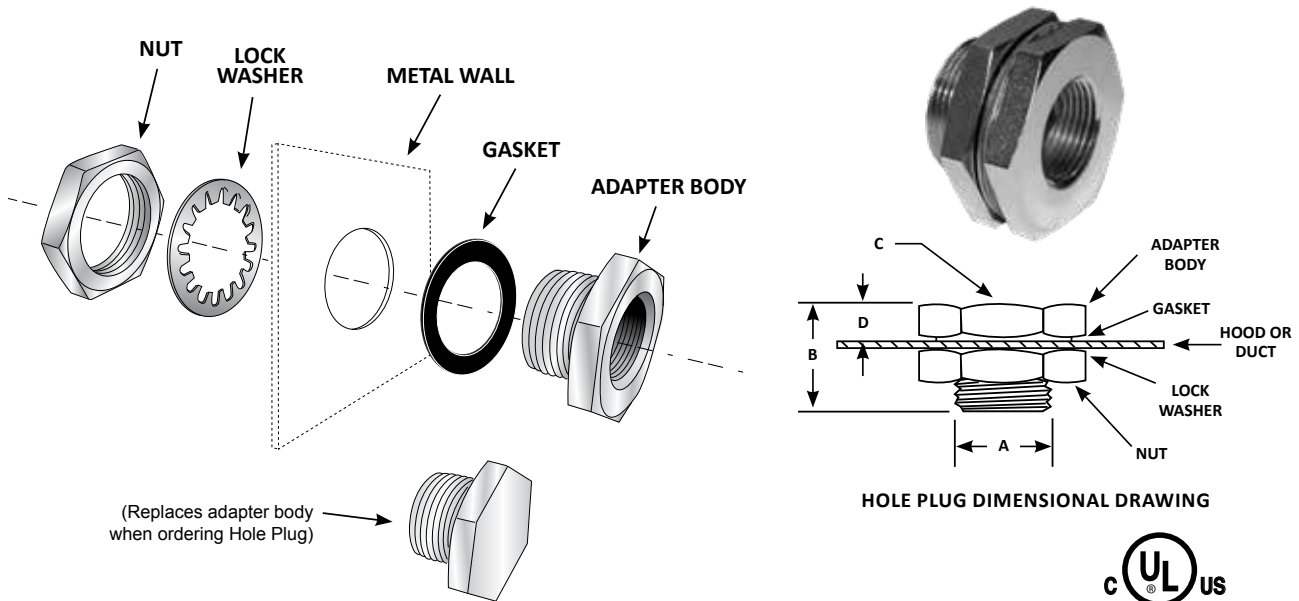
- MOUNTING KEYHOLE GREASE CUPS

**MODEL NO. Q37-0250**





- USED AS THROUGH-PENETRATION FITTINGS IN COOKING HOOD SYSTEMS
- PROVIDES STRUCTURAL SUPPORT FOR THE SYSTEM PIPING, IMPROVING SYSTEM INTEGRITY AND REDUCING THE NEED FOR ADDITIONAL PIPE HANGERS • PRESSURE TESTED TO 5000 PSI
  - IN CONFORMANCE WITH THE REQUIREMENTS OF NFPA STANDARD NO. 96
- MANUFACTURED OF SOLID MACHINED STEEL FOR SUPERIOR STRENGTH AND HIGH TEMPERATURE RESISTANCE
  - ATTRACTIVE CHROME PLATED FINISH MAXIMIZES CORROSION RESISTANCE
- INTERNAL PIPE THREADS PERMIT EASY COUPLING OF THE PIPES AT THE POINT OF PENETRATION



HOLE PLUG DIMENSIONAL DRAWING

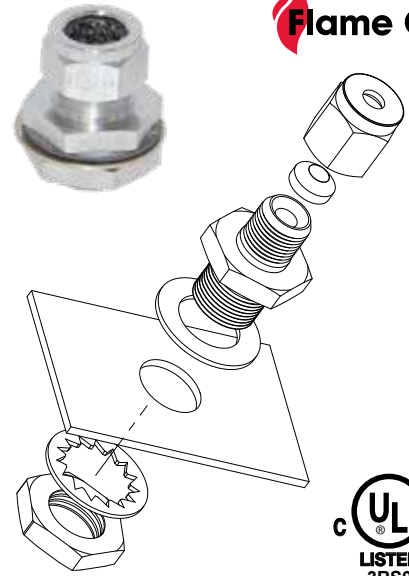
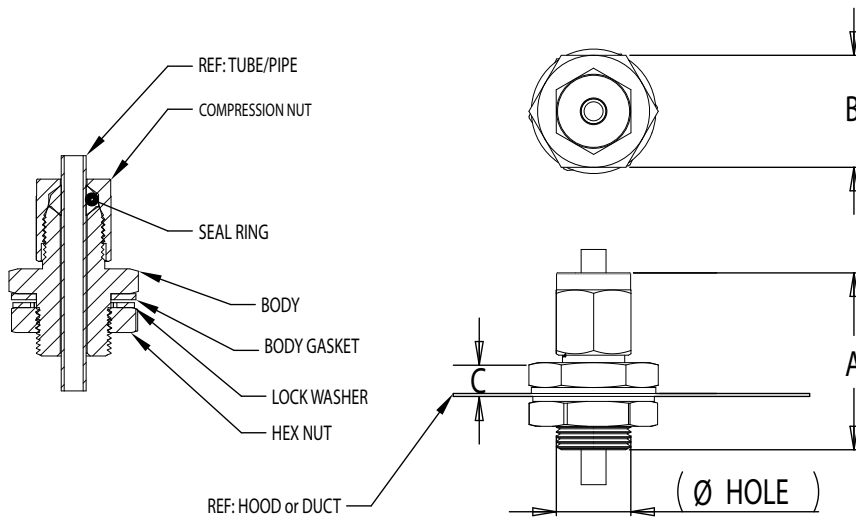


## STANDARD FITTINGS

MODEL NO.	QUICK-TITE FITTING	HOLE CUT OUT SIZE (A)	WT. PER FITTING	B	C	D
F11-0014	1/4" NPSM Pipe	3/4" (19mm)	.15 lb (.07 kg)	.88	1.125 HEX	.31
F11-0038	3/8" NPT Pipe	1-1/8" (29mm)	.36 lb (.16 kg)	1.00	1.5 HEX	.37
F11-0038A	3/8" NPSM Pipe	7/8" (22mm)	.21 lb (10 kg)	1.00	1.25 HEX	.37
F11-0012	1/2" NPT Pipe	1-1/8" (29mm)	.35 lb (.16 kg)	1.14	1.5 HEX	.37
F11-0034	3/4" NPT Pipe	1-3/8" (35mm)	.52 lb (24 kg)	1.26	1.88 HEX	.37
F11-0100	1" NPT Pipe	1-5/8" (41mm)	.852 lb (39 kg)	1.5	2.25 HEX	.44
F11-0114	1-1/4" NPT Pipe	2" (51mm)	.97 lb (.44 kg)	1.5	2.5 HEX	.44
F11-0112	1-1/2" NPT Pipe	2-1/4" (57mm)	1.18 lbs (.54 kg)	1.5	2.75 HEX	.44

## CORNER PULLEYS

F11-0012A	7/8"-20 x 1/2" NPT	.97 lb (.44 kg)	1.14	1.5 HEX	.37
F11-0012B	15/16"-20 x 1/2" NPT	1.18 lbs (.54 kg)	1.14	1.5 HEX	.37



## COMPRESSION FITTINGS

MODEL NO.	QUICK-TITE FITTING	HOLE CUT OUT SIZE	WT. PER FITTING	A	B	C
F15-250T	1/4" (6mm) Tube	3/4" (19mm)	.15 lb (.07 kg)	1.8	1.125 HEX	.31
F15-375T	3/8" (10mm) Tube	3/4" (19mm)	.36 lb (.16 kg)	1.8	1.125 HEX	.31
F15-500T250P	1/2" (13mm) Tube & 1/4" (6mm) Pipe	3/4" (19mm)	.21 lb (10 kg)	1.8	1.125 HEX	.31
F15-625T375P	5/8" (16mm) Tube & 3/8" (10mm) Pipe	1-1/8" (29mm)	.35 lb (.16 kg)	2.0	1.5 HEX	.37
F15-500EMT	1/2" (13mm) EMT Conduit	1-1/8" (29mm)	.52 lb (24 kg)	2.0	1.5 HEX	.37
F15-500P	1/2" (13mm) Pipe	1-1/8" (29mm)	.852 lb (39 kg)	2.08	1.5 HEX	.37
F15-750P	3/4" (19mm) Pipe	1-3/8" (35mm)	.97 lb (.44 kg)	2.37	1.875 HEX	.37
F15-1000P	1" (25mm) Pipe	1-5/8" (41mm)	1.18 lbs (.54 kg)	2.5	2.25 HEX	.44



## QUICK-TITE® HOLE PLUGS

- QUICK-TITE HOLE PLUGS ARE DESIGNED TO PROVIDE A POSITIVE SEAL OR PATCH FOR EXISTING PENETRATIONS THAT ARE NO LONGER REQUIRED
  - IDEAL TO REPAIR UNWANTED HOLES AS A RESULT OF CHANGES TO A FIRE PROTECTION SYSTEM, MOVING THE LOCATION OF A FIRE SUPPRESSION NOZZLE, DRILLING A HOLE AT THE WRONG LOCATION OR USING A HOOD/DUCT WITH PREVIOUSLY DRILLED HOLES
  - QUICK-TITE HOLE PLUGS ARE EASY TO INSTALL AND PROVIDE AN ATTRACTIVE, FINISHED APPEARANCE TO MATCH FITTINGS
    - AVAILABLE FOR FIVE STANDARD HOLE SIZES - 3/4", 7/8", 1-1/8", 1-3/8", AND 1-5/8"

MODEL NO.	HOLE SIZE	WT. PER HOLE PLUG
F12-0034	3/4" (19mm) to 7/8" (22mm)	3.2 oz (91 g)
F12-0078	7/8" (22mm) to 1" (25mm)	4.8 oz (136 g)
F12-0118	1-1/8" (29mm) to 1-5/16" (33mm)	7.2 oz (204 g)
F12-0138	1-3/8" (35mm) to 1-9/16" (40mm)	12.8 oz (363 g)
F12-0158	1-5/8" (41mm) to 1-7/8" (48mm)	21.6 oz (612 g)



## QUICK-TITE® PITOT TUBE TEST PORT

- 1/2" THREADED PLUG PROVIDES EASY ACCESS FOR STANDARD SIZE PITOT TUBE AIR BALANCING INSTRUMENTS
- SPECIFICALLY DESIGNED FOR COMMERCIAL GREASE DUCTS
- HIGH TEMPERATURE GASKET FOR A LIQUID-TIGHT SEAL
- SOLID MACHINED STEEL CONSTRUCTION FOR SUPERIOR STRENGTH AND HIGH TEMPERATURE RESISTANCE
- CHROME PLATED FINISH FOR ATTRACTIVE APPEARANCE AND MAXIMUM CORROSION RESISTANCE
- COST EFFECTIVE ALTERNATIVE TO WELDING AND POLISHING
  - PROVIDES A STABLE, WELD-TIGHT JOINT
- CONFORMS TO REQUIREMENTS OF NFPA STANDARD NO. 96
- UL TESTED AND LISTED UNDER HOOD & DUCT ACCESSORIES FOR USE IN USA AND CANADA

MODEL NO. F11-004



## FAN HINGE KIT

Component Hardware hinge kits are the affordable solution to the fire code requirement for hinging commercial kitchen exhaust fans. Installation is simple and takes less than 30 minutes. They'll save the owner money for years to come by providing optimal accessibility, allowing the technician to clean the fan and ductwork quickly and safely.

- HEAVY DUTY, 10 GAUGE CORROSION RESISTANT STEEL
  - FITS MOST COMMERCIAL FAN BASES
- ALLOWS FAN TO BE LIFTED BACK TO A FULL 90° ANGLE
- SAFETY CHAINS SUPPORT FAN WHILE IN OPEN POSITION FOR SAFE ACCESS TO FAN AND DUCT

MODEL NO.	SHIPPING WT.	CASE QTY.
FG74-0506	5 lbs (2.3 kg)	1



## FAN ACCESS PANEL

NFPA 96-8.1.5.3.1 requires all upblast fans to be supplied with an access opening of at least 4" in diameter for cleaning and inspection of the fan blades. The FG99-0005 is 5" in diameter, and is easy to install from the outside of the fan. Constructed of high strength HNBR rubber bonded to closed cell foam and zinc plated steel metal components, this fan access panel will hold up to the harshest weather, grease, and cleaning compounds.

MODEL NO.	WEIGHT	CASE QTY.
FG99-0005	1 lb (.45 kg)	1

## SINGLE DEFLECTION MULTI-VALVE DAMPERS



- EXTRUDED ANODIZED ALUMINUM TO MATCH STAINLESS STEEL
- AERODYNAMIC FIN DESIGN
- OTHER SIZES AVAILABLE UPON APPLICATION
- HORIZONTAL DAMPERS AVAILABLE ON SPECIAL APPLICATION
- (ON SPECIAL APPLICATION ORDERS ALLOW TWO WEEKS FOR DELIVERY FROM RECEIPT OF ORDER)
- FOR OVERALL DIMENSIONS ADD 1-3/4" (44mm) TO LISTED WIDTH AND LENGTH

### 90 VML SERIES SINGLE DEFLECTION MULTI-VALVE DAMPERS

MODEL NO.	DUCT SIZE (ACTUAL HOLE SIZE)	CASE QTY.
90VML-20X4	20" x 4" (508mm x 102mm)	10
90VML-24X4	24" x 4" (610mm x 102mm)	10
90VML-24X6	24" x 6" (610mm x 152mm)	10
90VML-24X8	24" x 8" (610mm x 203mm)	10
90VML-24X10	24" x 10" (610mm x 254mm)	5
90VML-24X12	24" x 12" (610mm x 305mm)	5
90VML-30X6	30" x 6" (762mm x 152mm)	10
90VML-36X6	36" x 6" (914mm x 152mm)	16





## SILICONE SEALANT

- 10.3 oz (305ml)
- NSF LISTED • FDA APPROVED
- AVAILABLE IN CLEAR, BRIGHT ALUMINUM, WHITE, BLACK AND RED (HI-TEMP)
- FITS ALL STANDARD CAULKING GUNS
  - U.L. RECOGNIZED
- MEETS FDA EXTRACTION REQUIREMENT NO. 21 CFR177.2600
- FURNISHED WITH REMOVABLE TIP



MODEL NO.	COLOR	MAX. SERVICE	CASE QTY.
M90-1010	Clear	392°F (200°C)	12
M90-1012	Aluminum	392°F (200°C)	12
M90-1014	White	392°F (200°C)	12
M90-1016	Black	392°F (200°C)	12
M90-1018	Hi Temp Red	500°F (260°C)	12

ALSO AVAILABLE IN 3 oz (85g) TUBES  
**CLEAR: M90-0310 ALUMINUM: M90-0312 WHITE: M90-0314**  
 PACKAGED 20 PER PACK  
 5 GALLON (19 liter): **MODEL NO. M90-5012**



## FOIL AND DUCT TAPE

- IDEAL FOR SEALING SEAMS AND JOINTS ON HVAC DUCTS

REF.	MODEL NO.	TYPE	SIZE	CASE QTY .
A	Q84-3200	Heavy Duty Duct Tape	2" x 60 YDS (51mm x 55m)	24
B	Q84-4250	Hi-Strength Aluminum Foil Tape	2-1/2" x 50 YDS (64mm x 46m)	20

## INSULATION HANGERS

MODEL NO.	HANGER LENGTH	CASE QTY.
Q86-1000	1" (25mm)	1000
Q86-1250	1-1/4" (32mm)	1000
Q86-1500	1-1/2" (38mm)	1000
Q86-1625	1-5/8" (41mm)	1000
Q86-2000	2" (51mm)	1000

- PROVIDED WITH PEEL AND PLACE ADHESIVE BACKING
  - ANNEALED COPPER COATED STEEL NAIL
- ELIMINATES USING CAPACITOR DISCHARGE NAILS
- SUPPLIED WITH GALVANIZED RETAINING PLATE

Insulation Hangers are made of 2" x 2" (51mm x 51mm) Galvanized Plates with a 1/32" (.794mm) white urethane foam backing which has been coated with a high performance, acrylic based adhesive protected by a release coated liner.



NOTE: OTHER LENGTHS AVAILABLE UPON REQUEST

## INSULATION WELD PINS

- ANNEALED COPPER COATED STEEL NAIL • CD TYPE
- GALVANIZED STEEL RETAINING PLATE AVAILABLE



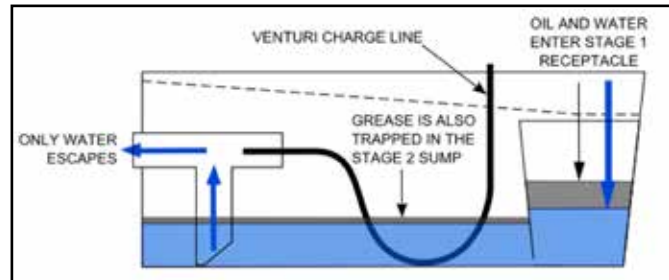
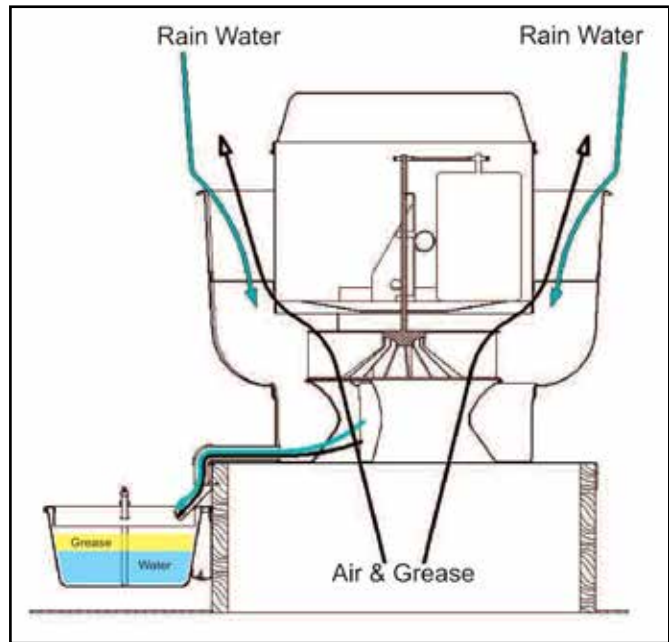
MODEL NO.	PIN SIZE	CASE QTY.
Q86-0010	12 ga. x 1"(25mm)	1000
Q86-0015	12 ga. x 1-1/2"(38mm)	1000
RETAINING PLATE		
Q86-0001	1 x 1-1/4" (32mm)	1000



## GREASE REMOVAL SYSTEM FOR EXHAUST FANS

- EASY ONE-MAN INSTALLATION – ONLY 5 SCREWS
- HELPS PREVENT GREASE SPILLAGE LEADING TO COSTLY ROOF DAMAGE, WATER CONTAMINATION, AND FIRE/SAFETY HAZARDS
- PREVENTS GREASE BOX OVERFLOW BY ALLOWING CLEAN RAINWATER TO ESCAPE WHILE CONTAINING GREASE
- NO COSTLY FILTER MEDIA • NO ROOF PENETRATIONS
- SIMPLIFIES HOOD CLEANING PROCESS • 304 SS CONSTRUCTION
- 24-1/8" (613mm) L x 15-5/6" 9402mm) W x 7-5/9" (192mm) H
  - NO MOVING PARTS, NO MAINTENANCE
  - MEETS REQUIREMENTS OF NFPA 96-2017
    - 3 YEAR WARRANTY

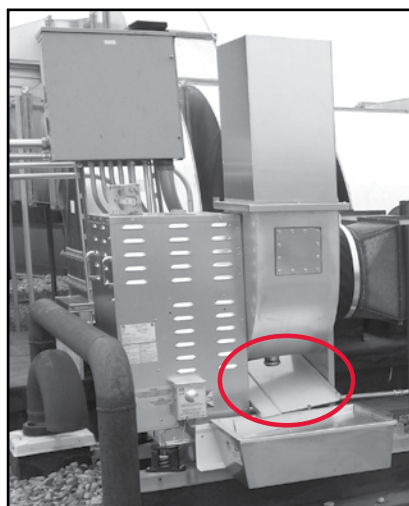
**MODEL NO. EFI-UB**



**LISTED**  
MH49237  
Rooftop Grease/Oil Collection/  
Containment Systems

## DIVERTER TROUGH FOR UTILITY "SQUIREL CAGE" FANS

MODEL NO.	DESCRIPTION
EFI-SQL	Large
EFI-SQS	Small



## GASKET REPAIR KIT

- EXTEND THE SERVICE LIFE OR REPAIR OF UL FIRE RATED ACCESS DOORS
- GASKET MATERIAL MAXIMUM SERVICE TEMPERATURE IS RATED TO 2,300°F, 1260°C
- SILICONE ADHESIVE IS UL CLASSIFIED AND FACTORY MUTUAL APPROVED
  - UL APPROVED GASKET AND ADHESIVE MUST BE USED TOGETHER TO RETAIN THE UL LISTING ON YOUR COMPONENT HARDWARE® ACCESS PANEL
- KIT INCLUDES ENOUGH MATERIAL TO REPAIR 7-16 ACCESS DOORS, DEPENDING ON DOOR SIZES

### REPAIR KIT INCLUDES

- 1 TUBE - SIL300 HIGH TEMPERATURE SILICONE ADHESIVE, 10.3 OZ (305ml) CARTRIDGE WITH REMOVABLE TIP
- 1 ROLL - HIGH TEMPERATURE SILICA CLOTH GASKET, .090 (2.3mm) THICK X 1.5" (38mm) WIDTH X 50' (15m) LENGTH

MODEL NO.	SHIPPING WT.	CASE QTY.
750002	3.5 lbs (1.6 kg)	1



### SIL300 SILICONE FIRESTOP SEALANT IS:

	FILL, VOID OR CAVITY MATERIAL CLASSIFIED BY UNDERWRITERS LABORATORIES INC.® FOR USE IN THROUGH-PENETRATION FIRESTOP SYSTEMS.	
	SEE UL FIRE RESISTANCE DIRECTORY UNDERWRITERS LABORATORIES® CLASSIFIED WALL PROTECTION MATERIAL. SEE PRODUCT CATEGORY IN UL FIRE RESISTANCE DIRECTORY CLASSIFIED FILL, VOID, OR CAVITY MATERIALS FOR USE IN THROUGH-PENETRATION FIRESTOP SYSTEMS. SEE UL DIRECTORY OF PRODUCTS CERTIFIED FOR CANADA AND UL FIRE RESISTANCE DIRECTORY	



## MAKE-UP AIR DUCT ACCESS PANEL

UNINSULATED ACCESS PANEL PROVIDES EASY ACCESS INTO MAKE-UP AIR DUCTS. SIMPLE TO INSTALL; SELF-ADHESIVE TEMPLATE PROVIDED. OPENS AND CLOSSES WITHOUT TOOLS.

MODEL NO.	SIZE	CASE QTY.	SHIPPING WT.
760804-D14	4" x 8" (102mm x 203mm)	1	4 lbs (1.81 kg)

## HI-TEMP ACCESS DOORS

- HI-TEMP ACCESS DOOR IS SOLID, LEAK RESISTANT AND CONSISTS OF TWO LAYERS OF STAMPED, HOT DIPPED GALVANIZED STEEL AND ONE 16 GAUGE BLACK IRON BACKING PLATE
- HI-TEMPERATURE CERAMIC FIBER GASKET - RATED 2300°F (1260°C) MAX-MEETS NFPA 96 STANDARDS IS PERMANENTLY BONDED TO THE OUTSIDE PANEL OF THE ACCESS DOOR
- ZINC PLATED CONICAL SPRINGS ARE INSTALLED, BETWEEN THE INNER AND OUTER PLATES, TO FACILITATE OPENING
- ZINC COATED WING NUTS ARE EASILY TURNED BY HAND • NO MEASURING (SELF-ADHESIVE TEMPLATE PROVIDED)
  - 6" BREAK-AWAY STUDS PERMIT INSTALLATIONS WITH FIRE WRAP INSULATION. STUDS MAY BE BROKEN AT 2" (102mm) FOR STANDARD INSTALLATIONS.

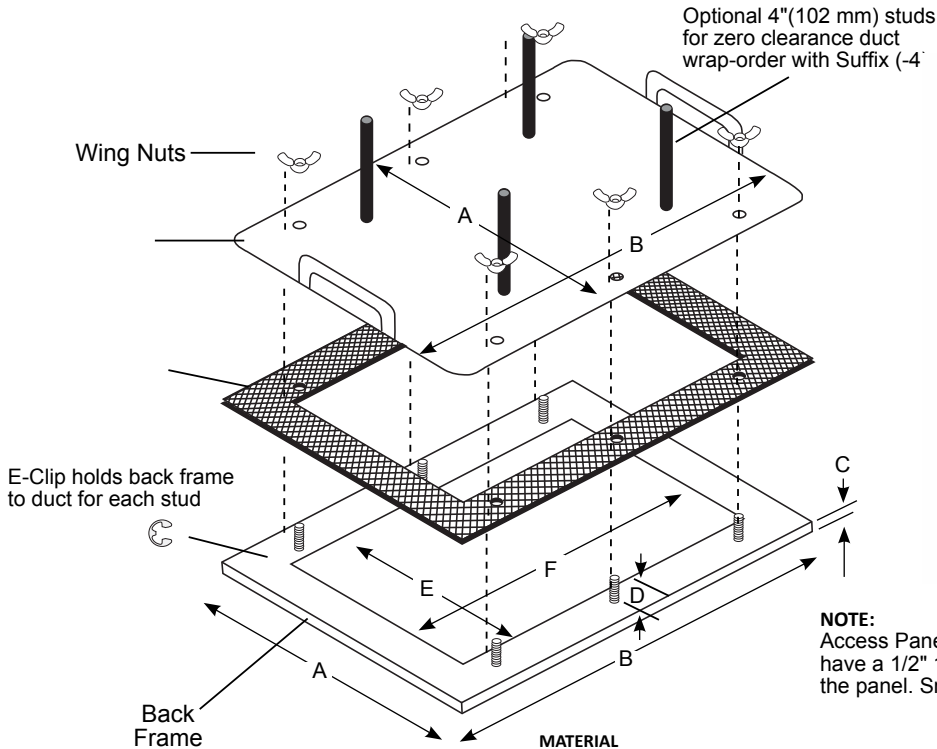


MODEL NO.	SIZE	CASE QTY.	SHIPPING WT.
ACC-10X6	10" x 6" (254mm x 152mm)	6	4 lbs (1.8 kg)
ACC-12X8	12" x 8" (305mm x 203mm)	6	5 lbs (2.3 kg)
ACC-18X14	18" x 14" (457mm x 356mm)	6	11 lbs (5 kg)

# Flat Access Doors – UL Fire Rated



- EASY TO CLEAN AND EASY TO INSTALL
- GASKET RATED TO 2300°F (1260°C) FOR FIRE TIGHT SEAL
- GASKET IS HIGH-TEMP BONDED TO FRONT PANEL
- AVAILABLE WITH EXTENDED STUDS TO ACCOMMODATE FIRE WRAP FOR FLAT DUCT APPLICATIONS
- HEAVY-DUTY 16 GAUGE STEEL CONSTRUCTION
- STAINLESS STEEL MODEL AVAILABLE
- NO MINIMUM ORDER REQUIREMENTS
- POSITIVE BOLT PATTERN ENSURES FIRE-SAFE CLOSURE
- BACK FRAME REINFORCES DUCT CUT-OUT
- STANDARD AND CUSTOM SIZES AVAILABLE
- NFPA 96 COMPLIANT



**NOTE:**  
Access Panels over 7" x 7" (178mm x 178mm) have a 1/2" (13mm) turndown to add rigidity to the panel. Smaller sizes do not have a turndown.

**MATERIAL**  
**BACK PLATE:** Cold Rolled Steel, Thickness – 0.057" (1.5mm)  
**FRONT PLATE:** Galvanized Steel, Thickness – 0.060" (1.5mm)

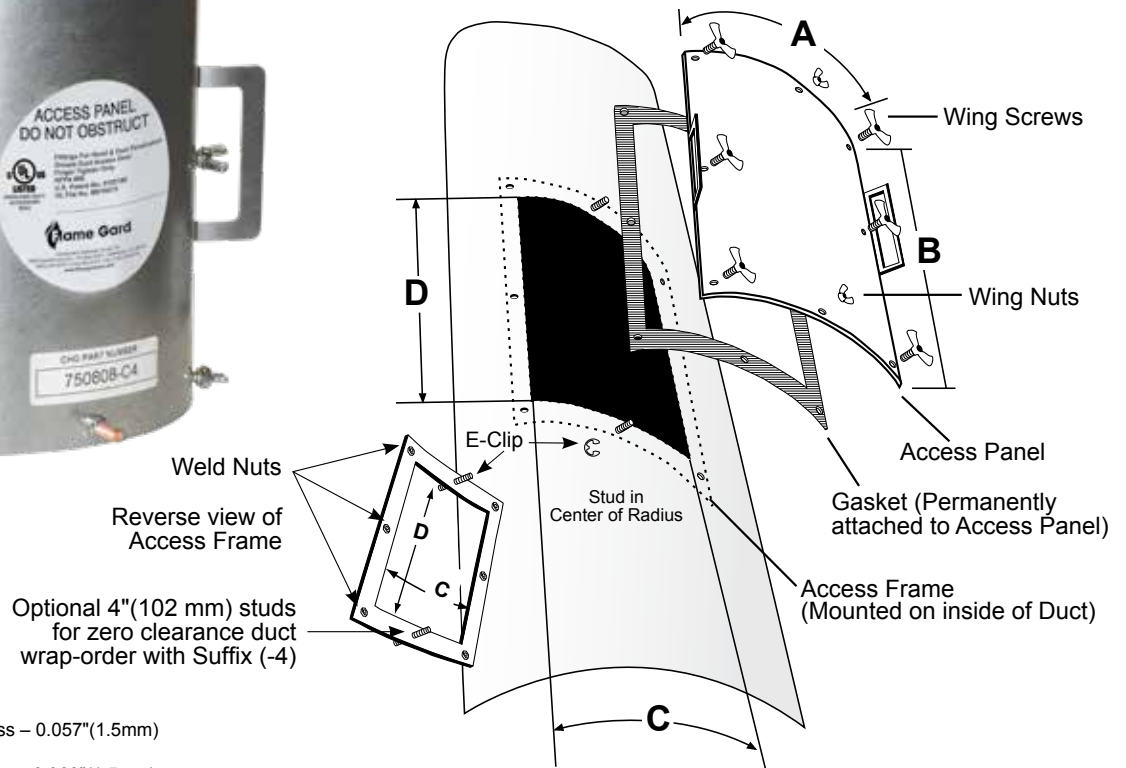


MODEL NO.	PANEL OUTSIDE DIMENSION		PANEL HEIGHT	STUD HEIGHT	HOLE SIZE		MTG STUDS
	A	B			E	F	
750710	7" (178mm)	10" (254mm)	FLAT	1" (25mm)	5.5" (140mm)	8.5" (216mm)	6
750715	7" (178mm)	15" (381mm)	FLAT	1" (25mm)	5.5" (140mm)	13.5" (343mm)	6
750723	7" (178mm)	23" (584mm)	FLAT	1" (25mm)	5.5" (140mm)	21.5" (546mm)	10
750606	8" (203mm)	8" (203mm)	FLAT	1" (25mm)	6" (152mm)	6" (152mm)	4
750707	10" (254mm)	10" (254mm)	.5" (13mm)	1" (25mm)	7" (178mm)	7" (178mm)	4
750712	10" (254mm)	15" (381mm)	.5" (13mm)	1" (25mm)	7" (178mm)	12" (305mm)	6
750720	10" (254mm)	23" (584mm)	.5" (13mm)	1" (25mm)	7" (178mm)	20" (508mm)	10
751212	15" (381mm)	15" (381mm)	.5" (13mm)	1" (25mm)	12" (305mm)	12" (305mm)	8
751220	15" (381mm)	23" (584mm)	.5" (13mm)	1" (25mm)	12" (305mm)	20" (508mm)	14
751620	19" (483mm)	23" (584mm)	.5" (13mm)	1" (25mm)	16" (406mm)	20" (508mm)	16
752020	23" (584mm)	23" (584mm)	.5" (13mm)	1" (25mm)	20" (508mm)	20" (508mm)	16

For custom sizes use order form ORD-FG-CFAD



- EASY TO CLEAN AND EASY TO INSTALL
- GASKET RATED TO 2300°F (1260°C) FOR FIRE TIGHT SEAL
- GASKET IS HIGH-TEMP BONDED TO FRONT PANEL
- AVAILABLE WITH EXTENDED STUDS TO ACCOMMODATE FIRE WRAP FOR CURVED DUCT APPLICATIONS
- HEAVY-DUTY 16 GAUGE STEEL CONSTRUCTION
- STAINLESS STEEL MODEL AVAILABLE
- NO MINIMUM ORDER REQUIREMENTS
- POSITIVE BOLT PATTERN ENSURES FIRE-SAFE CLOSURE
- BACK FRAME REINFORCES DUCT CUT-OUT
- STANDARD AND CUSTOM SIZES AVAILABLE
- NFPA 96 COMPLIANT



Cold Rolled Steel, Thickness – 0.057"(1.5mm)

Galvanized Steel, Thickness – 0.060"(1.5mm)

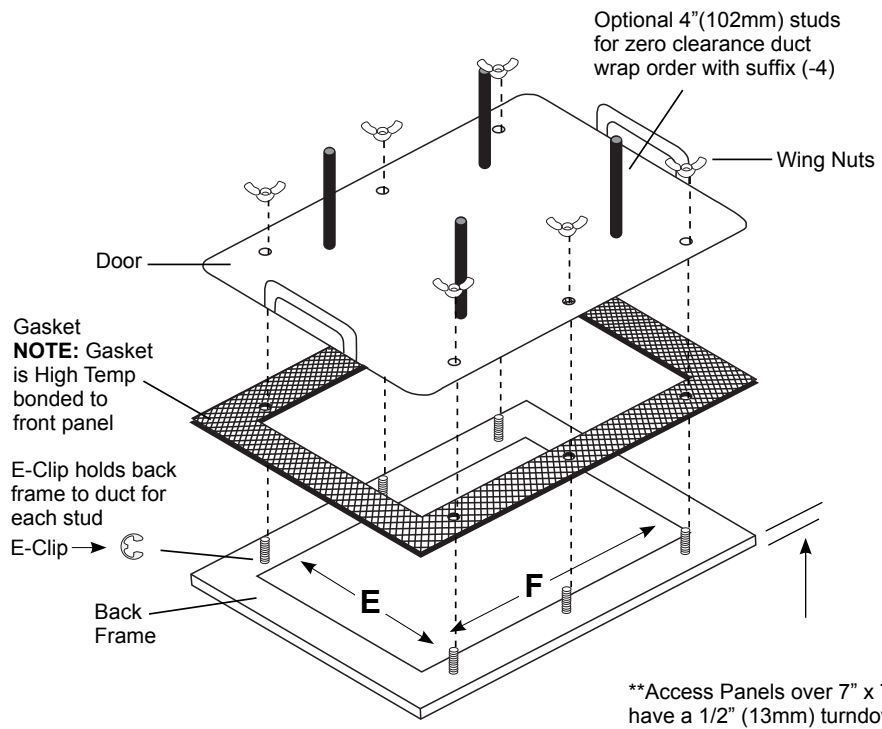
**NOTE:**  
The cut out dimension C should be 70% or less than the Duct Diameter for proper fit.



MODEL NO.	PANEL OUTSIDE DIMENSIONS		HOLE SIZE	
	A	B	C	D
750505-C	6.75" (167mm)	6.75" (171mm)	5.06" (129mm)	5.25" (133mm)
750511-C	6.75" (165mm)	12.75" (324mm)	5.00" (127mm)	11.25" (286mm)
750517-C	6.75" (165mm)	18.75" (476mm)	5.00" (127mm)	17.25" (438mm)
750808-C	9.75" (241mm)	9.75" (248mm)	8.00" (203mm)	8.25" (210mm)
750811-C	9.75" (241mm)	12.75" (324mm)	8.00" (203mm)	11.25" (286mm)
750817-C	9.75" (241mm)	18.75" (476mm)	8.00" (203mm)	17.25" (438mm)
750823-C	9.75" (241mm)	24.75" (629mm)	8.00" (203mm)	23.25" (591mm)
751117-C	12.75" (318mm)	18.75" (476mm)	11.00" (279mm)	17.25" (438mm)
751123-C	12.75" (318mm)	24.75" (629mm)	11.00" (279mm)	23.25" (591mm)
751717-C	18.75" (470mm)	18.75" (476mm)	17.00" (432mm)	17.25" (438mm)
751723-C	18.75" (470mm)	24.75" (629mm)	17.00" (432mm)	23.25" (591mm)

For custom sizes use order form ORD-FG-CCAD

# Order Form - For Custom Flat Access Door Panels



\*\*Access Panels over 7" x 7" (178mm x 178mm) have a 1/2" (13mm) turndown to add rigidity to the panel. Smaller sizes do not have a turndown.

<b>QUANTITY REQUIRED</b>	<b>DIMENSIONS</b>	<b>SIZE</b>	<b>INCHES or MM</b>
	DIMENSION "E"		
	DIMENSION "F"		

<b>PANEL MATERIAL</b>	Check One	<b>PANEL THICKNESS</b>	Check One	<b>MOUNTING HARDWARE MATERIAL</b>	Check One
GALVANIZED STEEL	<input type="checkbox"/>	.050" (1.3mm) S/S Models only	<input type="checkbox"/>	ZINC PLATED STEEL	<input type="checkbox"/>
STAINLESS STEEL 304	<input type="checkbox"/>	.060"(1.5mm)	<input type="checkbox"/>	STAINLESS STEEL 304	<input type="checkbox"/>
STAINLESS STEEL 316L	<input type="checkbox"/>	.125"(3.2mm)	<input type="checkbox"/>		

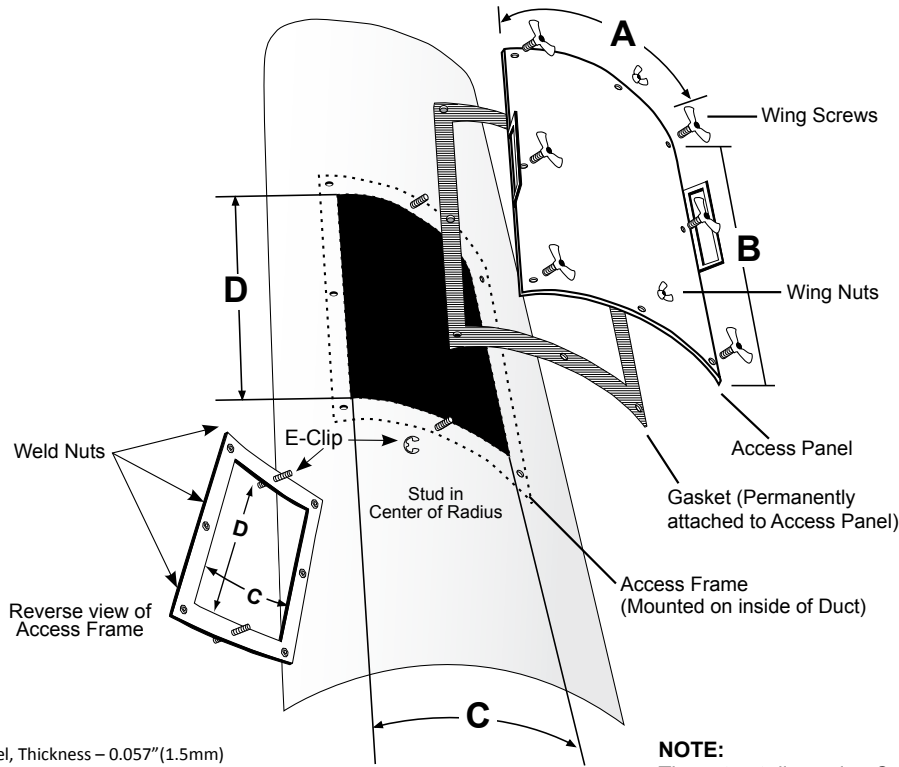
*Additional Notes*

---

Date:	P.O. #	Account No:
Company Name:	Contact Name:	
Address:	City & State:	Zip:
Phone No:	E-mail:	

ORD-FG-CFAD

# Order Form - For Curved Access Door Panels



**MATERIAL**  
**BACK PLATE:** Cold Rolled Steel, Thickness – 0.057" (1.5mm)  
**FRONT PLATE:** Galvanized Steel, Thickness – 0.060" (1.5mm)

**NOTE:**  
 The cut out dimension C should be 70% or less than the Duct Diameter for proper fit.

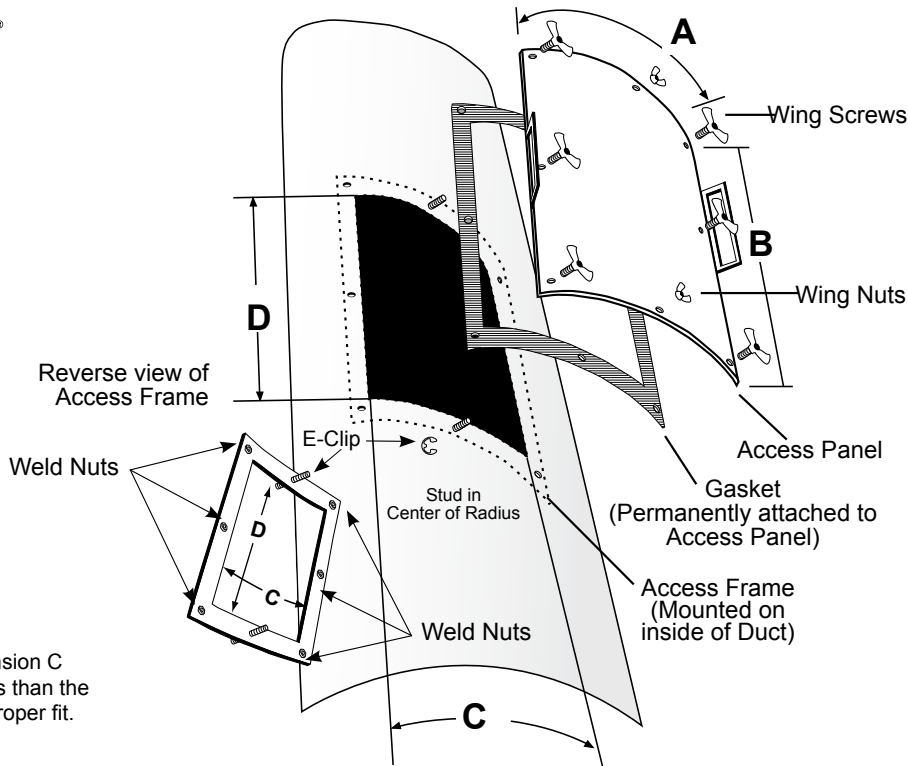
<b>MODEL NO:</b>
<b>DUCT DIAMETER:</b>
<b>QTY:</b>
<i>Additional Notes:</i>
<b>Note:</b> All access panels are custom manufactured per order and are not returnable for credit.

ORDER BY MODEL NO.	PANEL OUTSIDE DIMENSIONS INCHES (MM)		HOLE SIZE INCHES (MM)	
	A	B	C*	D
750505-C	6.75" (171mm)	6.75" (171mm)	5.06" (129mm)	5.25" (133mm)
750511-C	6.75" (171mm)	12.75" (324mm)	5.00" (127mm)	11.25" (286mm)
750517-C	6.75" (171mm)	18.75" (476mm)	5.00" (127mm)	17.25" (438mm)
750808-C	9.75" (248mm)	9.75" (248mm)	8.00" (203mm)	8.25" (210mm)
750811-C	9.75" (248mm)	12.75" (324mm)	8.00" (203mm)	11.25" (286mm)
750817-C	9.75" (248mm)	18.75" (476mm)	8.00" (203mm)	17.25" (438mm)
750823-C	9.75" (248mm)	24.75" (629mm)	8.00" (203mm)	23.25" (591mm)
751117-C	12.75" (324mm)	18.75" (476mm)	11.00" (279mm)	17.25" (438mm)
751123-C	12.75" (324mm)	24.75" (629mm)	11.00" (279mm)	23.25" (591mm)
751717-C	18.75" (476mm)	18.75" (476mm)	17.00" (432mm)	17.25" (438mm)
751723-C	18.75" (476mm)	24.75" (629mm)	17.00" (432mm)	23.25" (591mm)

Date:	P.O. #	Account No:
Company Name:	Contact Name:	
Address:	City & State:	
Phone No:	E-mail:	Zip:

ORD-FG-CAD

# Order Form - For Custom Curved Access Door Panels



\*The cut out dimension C should be 70% or less than the Duct Diameter for proper fit.



#	DIMENSION	INCHES or MM
1	DUCT DIAMETER 'A'	
2	70% OF DUCT DIAMETER ('A' x .7)	
3	CUT-OUT DIMENSION 'C'	
4	CUT-OUT DIMENSION 'D'	

<b>QUANTITY REQUIRED</b>	
------------------------------	--

**NOTE: DIMENSION #3 MUST BE EQUAL TO OR LESS THAN DIMENSION #2.**

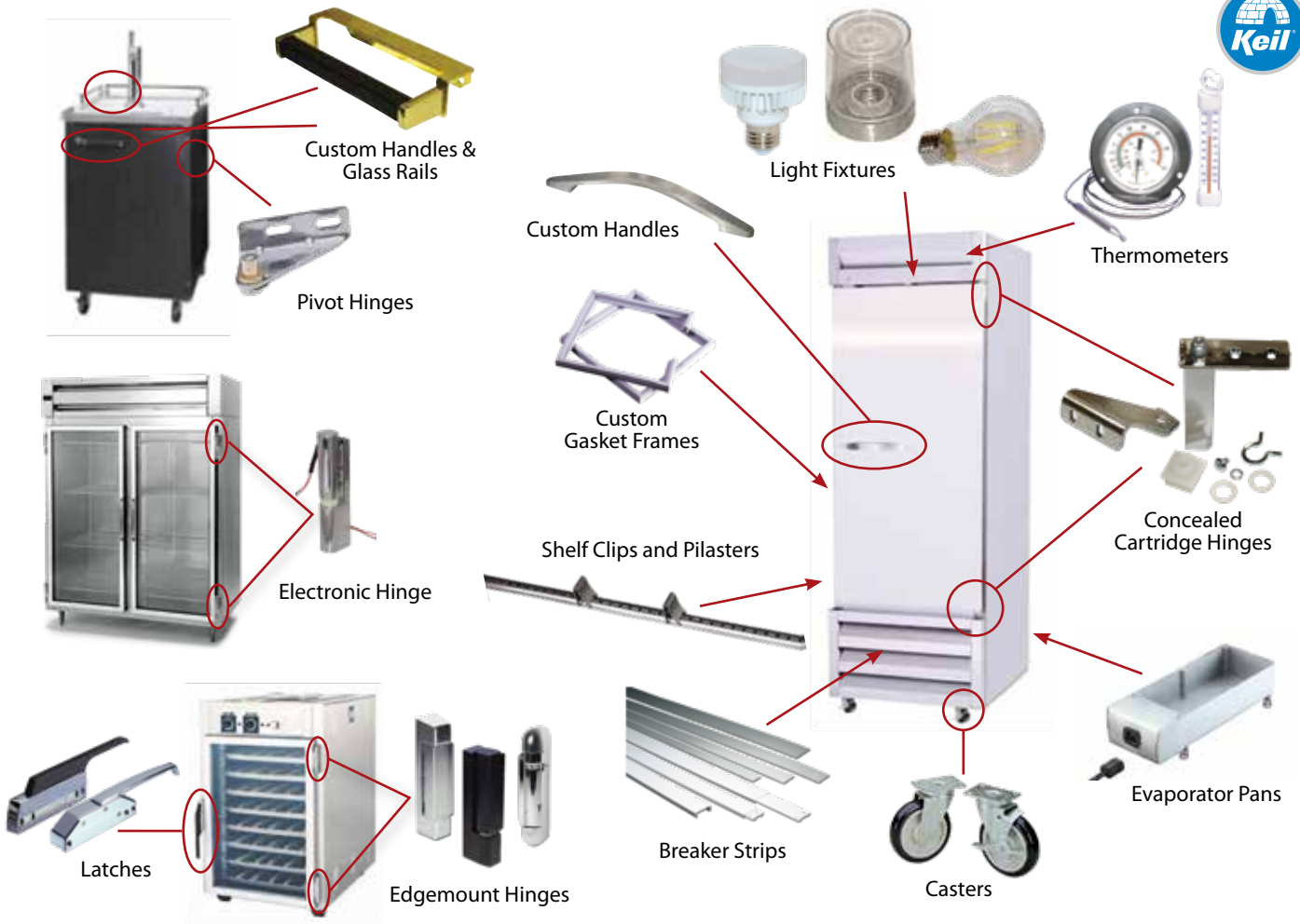
CHECK ONE	PANEL MATERIAL	PANEL THICKNESS	MOUNTING HARDWARE
<input type="checkbox"/>	GALVANIZED STEEL	16 ga. .060" (1.5mm)	ZINC PLATED STEEL
<input type="checkbox"/>	STAINLESS STEEL 304	16 ga. .060" (1.5mm)	STAINLESS STEEL 304
<input type="checkbox"/>	STAINLESS STEEL 304	18 ga. .050" (1.3mm)	STAINLESS STEEL 304

*Additional Notes*

---

Date:	P.O. #	Account No:
Company Name:	Contact Name:	
Address:	City & State:	Zip:
Phone No:	E-mail:	

ORD-FG-CCAD



HINGE SELECTOR GUIDE & CHART	B38	HINGE REPLACEMENT PARTS	B52
HANDLES	B39	CONCEALED CARTRIDGE HINGES	B53
MECHANICAL LATCHES	B40	CONCEALED PIVOT BRACKETS	B54-B56
MECHANICAL EDGEMOUNT LATCH	B41	PADLOCK HASP ASSEMBLY	B57
MAGNETIC/MECHANICAL LATCHES	B42	CONDENSATE EVAPORATORS	B58-B59
MAGNETIC EDGEMOUNT LATCH	B43	THERMOMETERS	B60
CERAMIC MAGNETIC COMPACT LATCH	B44	PILASTER & SHELF SUPPORTS	B61
SURFACE MOUNT & CABINET LATCHES	B45	MASTIC, GROMMETS & CONDUIT SLEEVE	B62
NON-RISE EDGEMOUNT HINGES	B46-B48	GASKET FRAMES	B63-B64
STANDARD-DUTY NON-RISE EDGEMOUNT HINGES	B49	GASKETS & BREAKER STRIPS	B65
LIFT-OFF EDGEMOUNT HINGES	B50	ORDER FORM - CUSTOM MADE GASKET FRAMES	B66
ELECTRONIC HINGES	B51	ORDER FORM - CUSTOM WIRE SHELVES	B67

For Lighting Components, please see Lighting & Electrical on pages D97- D115



# Hinge Selector Guide & Chart

## COMPONENT HARDWARE® HINGE SELECTOR GUIDE

This hinge selector is designed to assist you in choosing the correct Component Hardware hinges for commercial reach-in and walk-in refrigeration, foodservice equipment, transportation, industrial and other applications. The Load Chart below shows our recommended allowable load per pair of hinges for each hinge group.

The data supplied in this chart applies for normal operating conditions under static loading by door weight only. Other factors, such as positive or negative pressure, high gasket compression, lateral stress, corrosive or abrasive environments, or structural movement are not taken into account. It is the ultimate responsibility of the user to determine the suitability and capacity required for their specific application.

1. Locate the weight of your door in the far left column, headed DOOR WEIGHT.
2. Find the width of your door along the bottom of the chart.
3. Where the weight line and width column intersect, find the recommended hinge group code (A, B, etc.)
4. Select your hinges from the Component Hardware® hinge groups below.

NOTE: If exact dimensions and weight for your door is not shown, use the next higher width and weight.

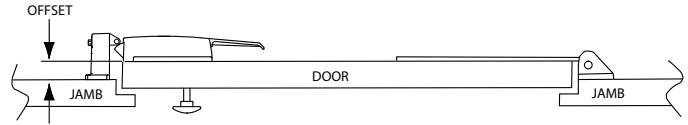
Hinge Groups A-C Shown in REACH-IN, Section E  
Hinge Groups D-J Shown in WALK-IN, Section EE

## COMPONENT HARDWARE® HINGE GROUPS

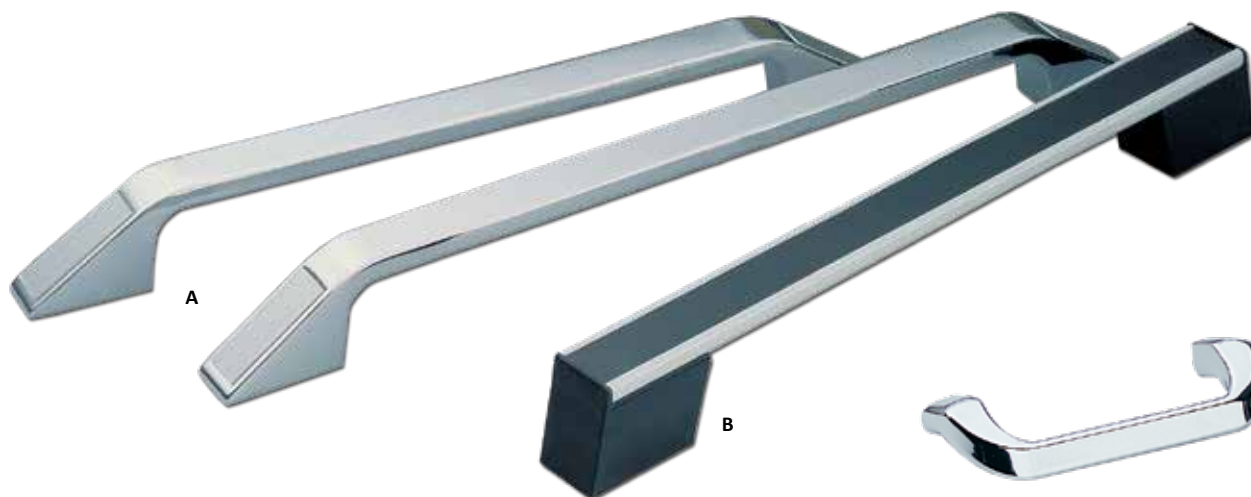
GROUP	HINGE MODEL NUMBERS
A	R20-1010, R20-1020, R45-1010, R40-1010, R42-2840, R42-2841, R42-2842, R42-2843, R42-2842-BR
B	R42-2000, R42-2855, R56 SERIES
C	R50-2850, R50-2850-SPO, R50-2850-BLK, R50-2850-SS, R50-2850-NL, R50-2850-BA, R51-2000, R51-2000-RS, R51-2000-CS
D	W58, W59, W60, W61 SERIES, W99-6015-SS, W99-4100-SSRH, W99-4100-SSLH, W55-1000, W56-1000
E	N/A
F	W99-2001, W99-2001-GE, W99-2063, W99-2063-G6, W77-1625
G	N/A
H	N/A
J	N/A

## HOW TO DETERMINE OFFSET FOR HINGES AND LATCHES

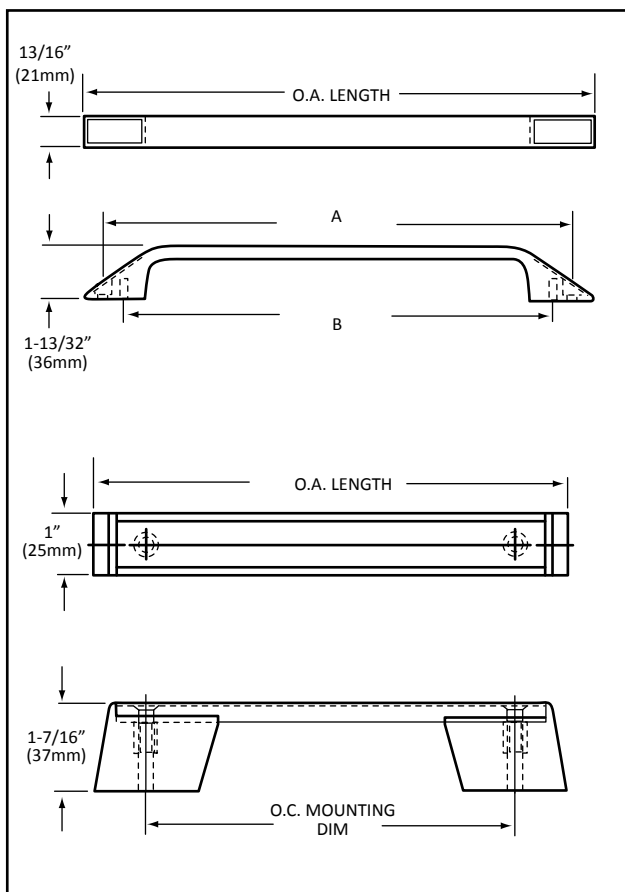
With door closed, measure the distance from the jamb to the door face.



DOOR WEIGHTS		LOAD CHART																				
kg.	lb.																					
226.8	500	D	D	E	F	F	F	G	G	G	G	H	H	H	H	H	H	H	J	J	J	J
217.7	480	D	D	E	F	F	F	G	G	G	G	H	H	H	H	H	H	H	J	J	J	J
208.6	460	D	D	E	E	F	F	F	G	G	G	G	H	H	H	H	H	H	H	J	J	J
199.5	440	D	D	D	E	F	F	F	G	G	G	G	G	H	H	H	H	H	H	H	J	J
190.5	420	D	D	D	E	F	F	F	F	G	G	G	G	H	H	H	H	H	H	H	H	J
181.4	400	D	D	D	E	E	F	F	F	G	G	G	G	H	H	H	H	H	H	H	H	H
172.4	380	D	D	D	D	E	F	F	F	F	G	G	G	G	H	H	H	H	H	H	H	H
163.3	360	D	D	D	D	E	E	F	F	F	G	G	G	G	G	G	H	H	H	H	H	H
154.2	340	D	D	D	D	E	E	F	F	F	F	G	G	G	G	G	G	H	H	H	H	H
145.2	320	C	D	D	D	D	E	E	F	F	F	F	G	G	G	G	G	G	H	H	H	H
136.1	300	C	D	D	D	D	D	E	E	F	F	F	F	F	G	G	G	G	G	G	G	H
127.0	280	C	D	D	D	D	D	E	E	F	F	F	F	F	G	G	G	G	G	G	G	H
117.9	260	C	C	D	D	D	D	D	E	E	F	F	F	F	F	G	G	G	G	G	G	G
108.9	240	C	C	D	D	D	D	D	D	E	E	F	F	F	F	F	F	F	G	G	G	G
99.8	220	C	C	C	D	D	D	D	D	D	E	E	E	F	F	F	F	F	F	G	G	G
90.7	200	B	C	C	D	D	D	D	D	D	D	E	E	E	F	F	F	F	F	F	F	G
81.7	180	B	C	C	C	D	D	D	D	D	D	D	E	E	E	E	F	F	F	F	F	F
72.6	160	B	B	C	C	C	D	D	D	D	D	D	D	E	E	E	E	F	F	F	F	F
63.5	140	B	B	C	C	C	C	D	D	D	D	D	D	D	D	D	D	E	E	E	E	F
54.4	120	B	B	B	C	C	C	C	C	D	D	D	D	D	D	D	D	D	D	E	E	F
45.4	100	A	B	B	B	B	C	C	C	C	C	D	D	D	D	D	D	D	D	D	D	D
36.3	80	A	A	B	B	B	B	B	C	C	C	C	C	C	D	D	D	D	D	D	D	D
27.2	60	A	A	A	A	B	B	B	B	B	B	C	C	C	C	C	C	C	C	C	D	D
18.1	40	A	A	A	A	A	A	A	A	B	B	B	B	B	B	B	B	B	C	C	C	C
9.0	20	A	A	A	A	A	A	A	A	A	A	A	A	A	A	A	A	A	A	A	A	B
DOOR WIDTH	in.	12	15	18	21	24	27	30	33	36	39	42	45	48	51	54	57	60	63	66	69	72
	cm.	30.5	38.1	45.7	53.3	61.0	68.6	76.2	83.8	91.4	99.1	106.7	114.3	121.9	129.5	137.2	144.8	152.4	160.0	167.6	175.3	182.9



# HANDLES



REF. A

## SCULPTURED HANDLES FEATURING

- SOLID METAL CASTING • POLISHED CHROME FINISH
- FRONT OR REAR FASTENING • TWO LENGTHS AVAILABLE

MODEL NO.	O.A. LENGTH	"A" DIM.	"B" DIM.
P48-1010	14-5/8" (371mm)	13-7/16" (340mm)	12-7/16" (316mm)
P48-1012*	12-13/16" (325mm)	11-5/8" (295mm)	10-5/8" (270mm)

NOTES: "A" DIMENSION REPRESENTS HOLE CENTERS FOR FRONT MOUNTING #10 SCREWS. "B" DIMENSION REPRESENTS THREADED HOLE CENTERS TO RECEIVE 1/4-20 SCREWS FOR REAR MOUNTING. DECORATIVE TRIM INSERTS ARE SUPPLIED TO CONCEAL FRONT MOUNTING SCREWS. EXTRA TRIM INSERTS ARE AVAILABLE AND MAY BE ORDERED AS MODEL NO. P48-X002.

REF. B

## DECORATIVE HANDLES FEATURING

- DUAL MOUNTING - FRONT OR REAR • TWO STANDARD LENGTHS AVAILABLE
- HEAT RESISTANT • HEAVY DUTY CONSTRUCTION
- ANODIZED ALUMINUM HANDLE WITH NYLON SUPPORTS

MODEL NO.	O.A. LENGTH	O.C. MOUNTING DIM.
P49-1500-6	7-11/16" (195mm)	6" (152mm)
P49-1500	12-1/4" (311mm)	10-5/8" (270mm)

NOTES: PRE-ASSEMBLED HANDLES WILL ACCEPT SCREWS FOR FRONT MOUNTING. INTERNAL BRASS BUSHINGS ACCEPT STANDARD 1/4-20 MACHINE SCREWS FOR REAR FASTENING. A PRESSURE SENSITIVE BLACK VINYL INSERT CONCEALS SCREW HOLES. OTHER LENGTHS AVAILABLE UPON APPLICATION ON QUANTITY ORDERS.

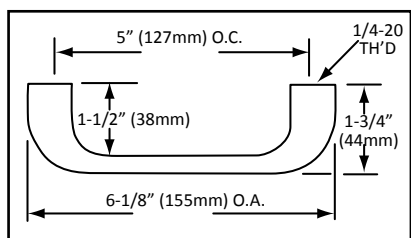
REF. C

## OFFSET HANDLE

- IDEAL FOR ICE BIN DOORS
- POLISHED CHROME FINISH

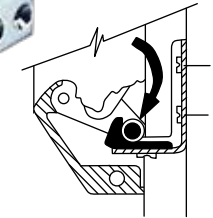
MODEL NO. P40-1010

MATERIAL: CHROME PLATED DIE CAST METAL

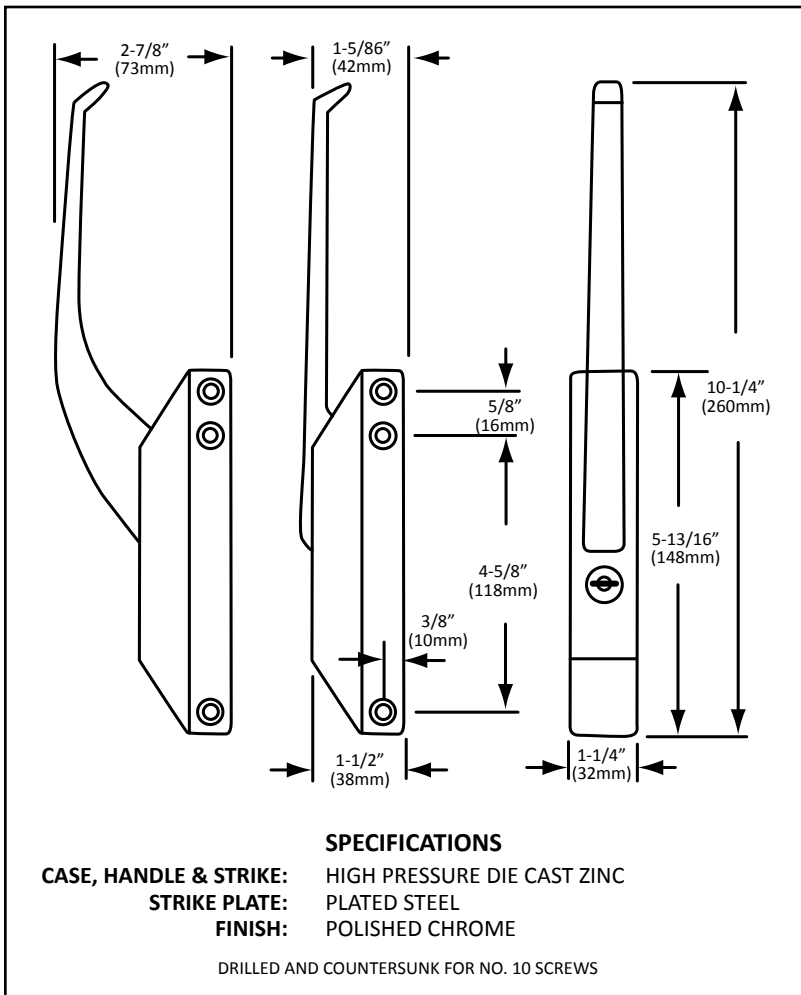




B



POSITIVE PRESSURE SEAL  
CROSS SECTION DETAIL



## MECHANICAL EDGEMOUNT LATCHES WITH POSITIVE PRESSURE SEAL

- MOUNTING HOLE LOCATIONS ARE INTERCHANGEABLE WITH COMPETITORS' LATCHES
- UNIQUE KEEPER PREVENTS DOOR FROM BEING OVERRIDDEN
  - SERRATED STRIKER PLATE PERMITS QUICK ADJUSTMENT TO COMPENSATE FOR DOOR SAG
  - POLISHED CHROME PLATED FINISH
- AVAILABLE IN STRAIGHT AND OFFSET MODELS
  - CYLINDER AND NON-CYLINDER MODELS
  - HEAVY-DUTY RUGGED CONSTRUCTION
- ADJUSTABLE FOR RIGHT OR LEFT HAND USE

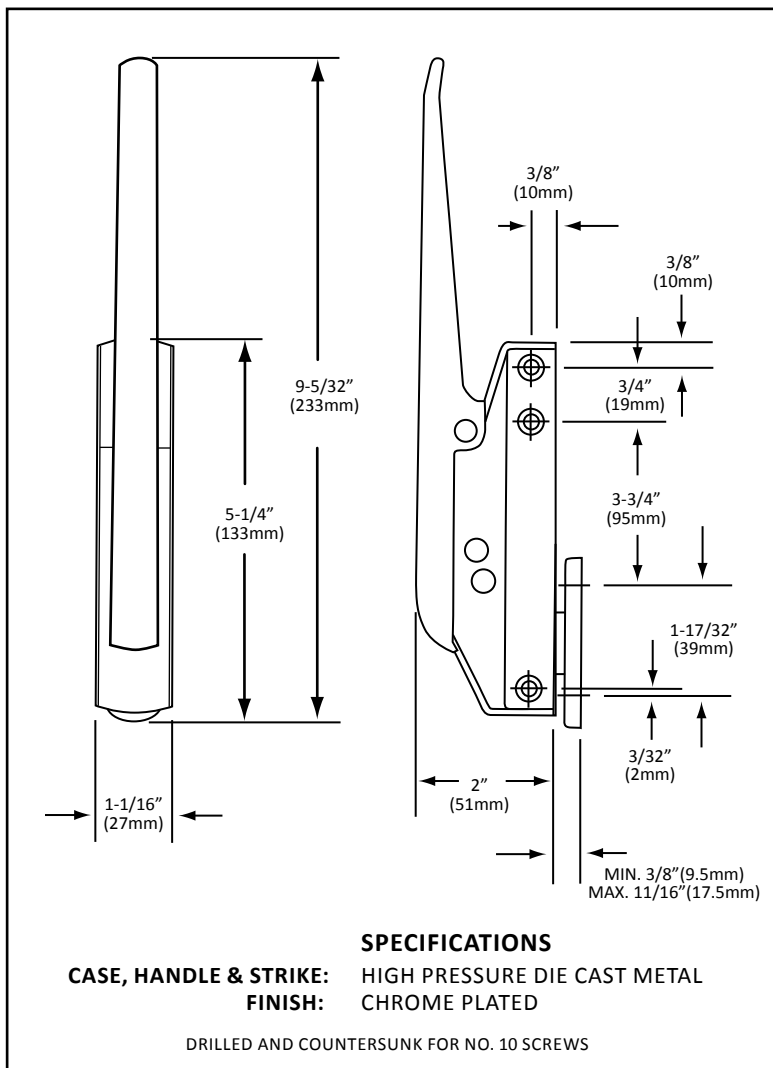
### EDGEMOUNT LATCHES - R35 SERIES

MODEL NO.	DESCRIPTION
R35-1105	Straight Handle No Cylinder Lock
R35-1105-C	Straight Handle With Cylinder Lock
R35-1105-X	Offset Handle No Cylinder Lock
R35-1105-XC	Offset Handle With Cylinder Lock

KEYS SHOWN ARE AVAILABLE SEPARATELY  
USE **MODEL NO. P30-0802**

STRIKE ONLY - **MODEL NO. R35-Y001**

CYLINDER LOCK - **MODEL NO. R35-Y005**



## MECHANICAL SNAP-ACTION EDGEMOUNT LATCH WITH PADLOCK FEATURE

- TWO WAY ADJUSTABLE STRIKE OFFERS EASY TENSION ADJUSTMENT TO COMPENSATE FOR POSITIVE GASKET SEAL
- SERRATED STRIKER PLATE PERMITS QUICK ADJUSTMENT TO COMPENSATE FOR DOOR SAG
  - POWERFUL GRIP ACTION INSURES POSITIVE AIR-TIGHT CLOSURE
    - CHROME PLATED FINISH
  - DESIGNED TO ACCEPT SECURITY PADLOCK
  - REVERSIBLE FOR RIGHT OR LEFT HAND USE
- MOUNTING HOLE LOCATIONS ARE INTERCHANGEABLE WITH COMPETITORS' LATCHES

**MODEL NO. R26-1000**

STRIKE ONLY - **MODEL NO. R26-Y001**



B



## MAGNETIC / MECHANICAL EDGEMOUNT LATCHES WITH FLOATING MAGNET

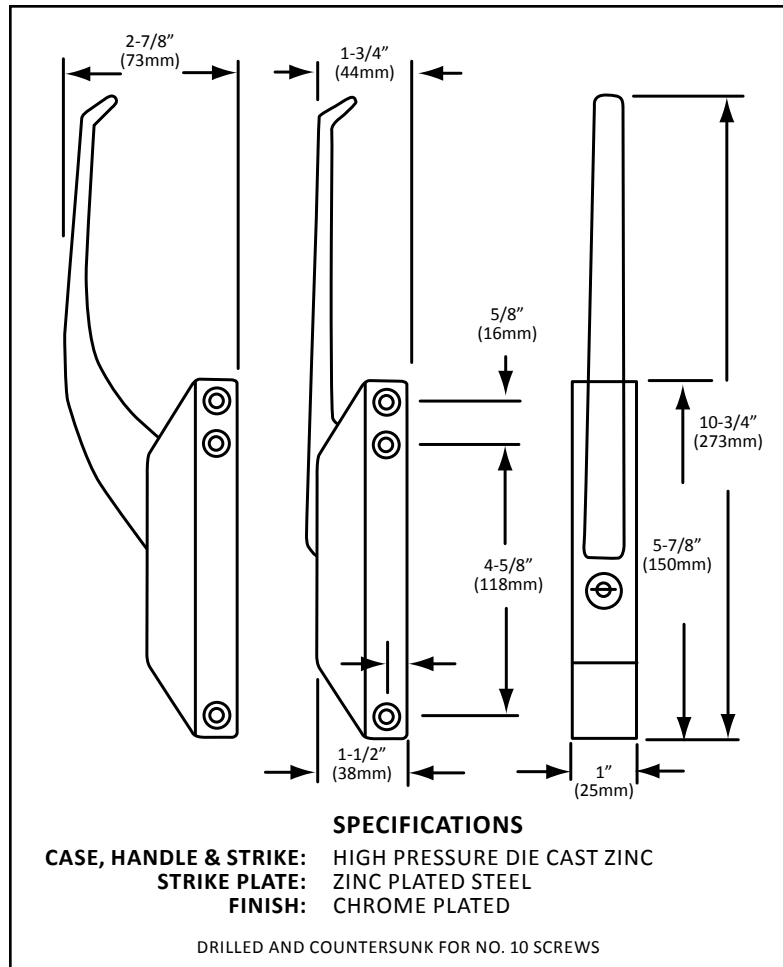
- UNIQUE DUAL DESIGN OFFERS BOTH MECHANICAL LATCHING AND MAGNETIC FORCE TO PROVIDE POSITIVE SEAL AND ELIMINATE DOOR BOUNCE BACK
- UNIQUE FOUR POSITION SOLID ONE PIECE STRIKE BRACKET AND FULL FLOATING MAGNETIC DESIGN INSURES POSITIVE MAGNETIC ATTRACTION AT EVERY ADJUSTMENT
  - HEAVY-DUTY RUGGED CONSTRUCTION
  - REVERSIBLE FOR RIGHT OR LEFT HAND USE
  - CYLINDER AND NON-CYLINDER MODELS
  - POLISHED CHROME PLATED FINISHES
- MOUNTING HOLE LOCATIONS ARE INTERCHANGEABLE WITH COMPETITORS' LATCHES

### EDGEMOUNT LATCHES - R24 SERIES

MODEL NO.	DESCRIPTION
R24-9175	Straight Handle No Cylinder Lock
R24-9175-C	Straight Handle With Cylinder Lock
R24-9175-X	Offset Handle No Cylinder Lock
R24-9175-XC	Offset Handle With Cylinder Lock

KEYS SHOWN ARE AVAILABLE SEPARATELY  
USE **MODEL NO. P30-0802**

STRIKE ONLY - **MODEL NO. R24-Y001**



\*REPLACES STANDARD-KEIL PART #2824  
WITH COMPONENT HARDWARE QUALITY HARDWARE





## HEAVY- DUTY MAGNETIC EDGEMOUNT LATCHES WITH BREAKER ACTION

- HEAVY-DUTY MAGNETIC ACTION PROVIDES POSITIVE AND EFFECTIVE SEAL AND ELIMINATES DOOR BOUNCE BACK
- UNIQUE BREAKER ACTION\* ELIMINATES POWERFUL MAGNETIC SEAL WHILE ALLOWING EASY OPENING
- SERRATED STRIKER PLATE PERMITS QUICK ADJUSTMENT TO COMPENSATE FOR DOOR SAG
  - REVERSIBLE FOR RIGHT OR LEFT HAND USE
  - CYLINDER AND NON-CYLINDER MODELS
    - CHROME PLATED FINISH
  - EXTRA HEAVY-DUTY RUGGED CONSTRUCTION
- MOUNTING HOLE LOCATIONS ARE INTERCHANGEABLE WITH COMPETITORS' LATCHES

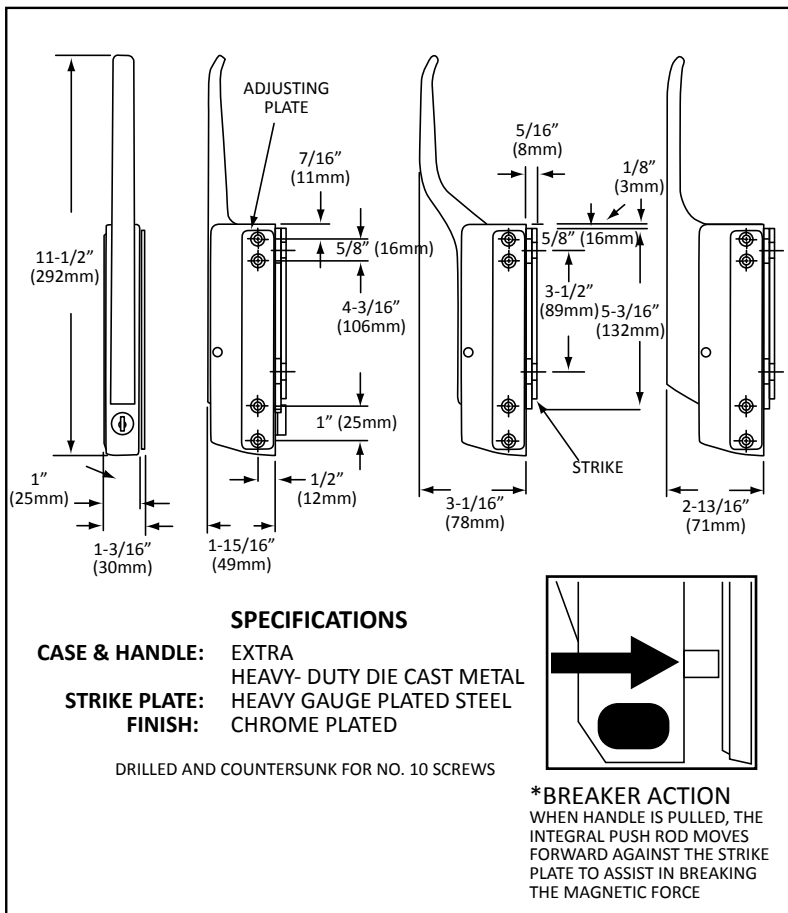
### EDGEMOUNT LATCHES - R25 SERIES

REF.	MODEL	DESCRIPTION
A	R25-1700-NC	Straight Handle No Cylinder Lock
B	R25-1700-C	Straight Handle With Cylinder Lock
C	R25-1700-XNC	Offset Handle No Cylinder Lock
	R25-1700-XC	Offset Handle With Cylinder Lock (not shown)

KEYS SHOWN ARE AVAILABLE SEPARATELY  
USE **MODEL NO. P30-0802**

STRIKE ONLY - **MODEL NO. R25-X002**

CYLINDER LOCK - **MODEL NO. R25-Y001**





B



## CERAMIC • MAGNETIC • COMPACT EDGEMOUNT LATCHES WITH BREAKER ACTION

### SPECIFICALLY FOR HEATED CABINETS, OVENS AND REFRIGERATORS

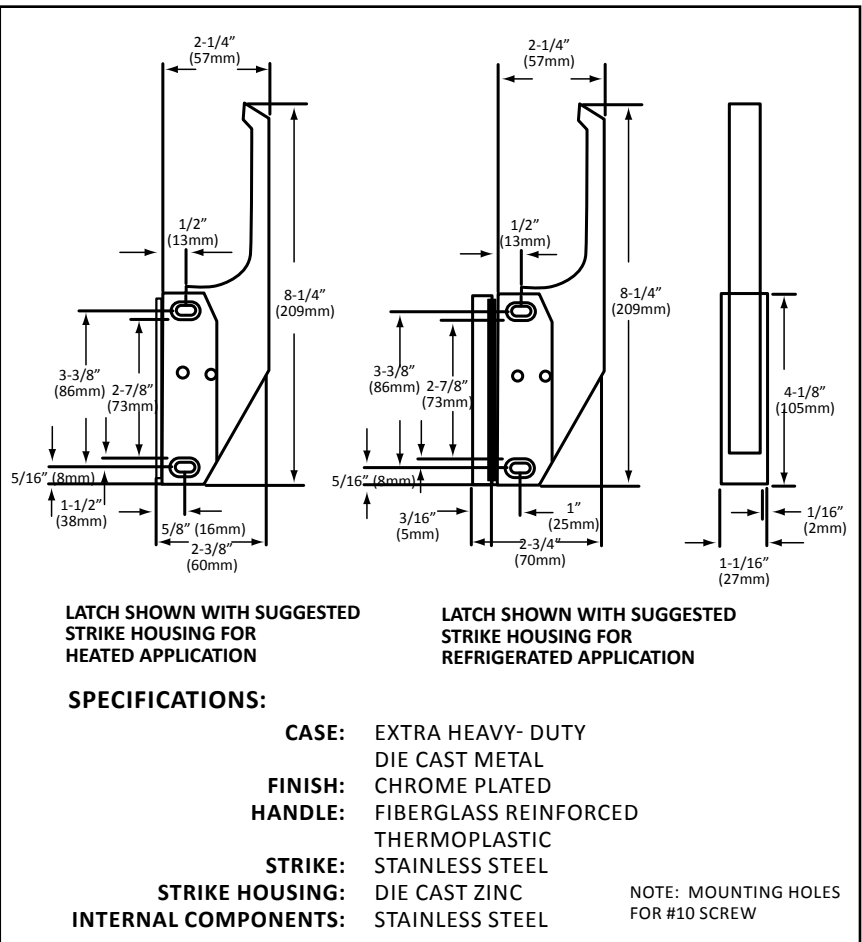
- COMPACT DESIGN FOR SPECIAL APPLICATIONS
  - HEAVY-DUTY INSULATED OFFSET HANDLE
  - BREAKER ACTION\* FOR EASY DOOR OPENING
  - POWERFUL HEAT RESISTANT CERAMIC MAGNET
- STAINLESS STEEL MECHANICAL PARTS AND PLATES
- SNAP-IN HOLE PLUGS FOR CONCEALED MOUNTING
- CONTEMPORARY STYLE - BLACK AND CHROME
  - REVERSIBLE APPLICATION

**MODEL NO. R27-1010-X**

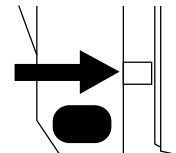
EACH R27-1010-X EDGEMOUNT LATCH IS SUPPLIED WITH STRIKE ASSEMBLIES for BOTH HEATED AND REFRIGERATED APPLICATIONS

- STAINLESS STEEL STRIKE PLATE
  - STAINLESS STEEL SPACER
- DIE CAST ZINC STRIKE HOUSING\*
  - SILICONE GASKET

\* FOR REFRIGERATED APPLICATION ONLY



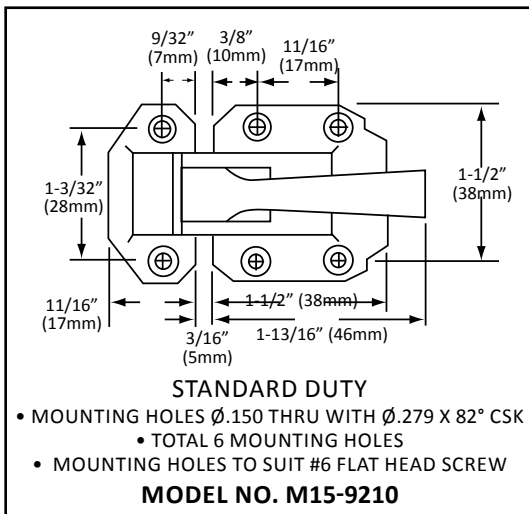
**\*BREAKER ACTION**  
WHEN HANDLE IS PULLED, THE INTEGRAL PUSH ROD MOVES FORWARD AGAINST THE STRIKE PLATE TO ASSIST IN BREAKING THE MAGNETIC FORCE.





B

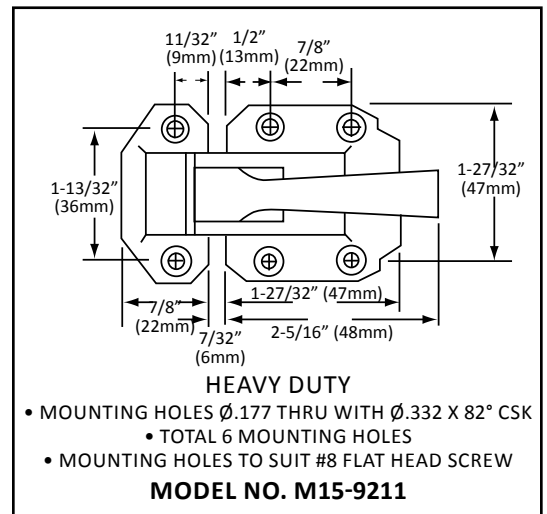
## SURFACE MOUNT and CABINET LATCHES



**REF. A**

**CABINET LATCHES**

- PROVIDED WITH FLUSH, 1/8" (3mm) AND 3/8" (10mm) KEEPERS
- CHROME PLATED DIE CAST ZAMAK



**REF. B**

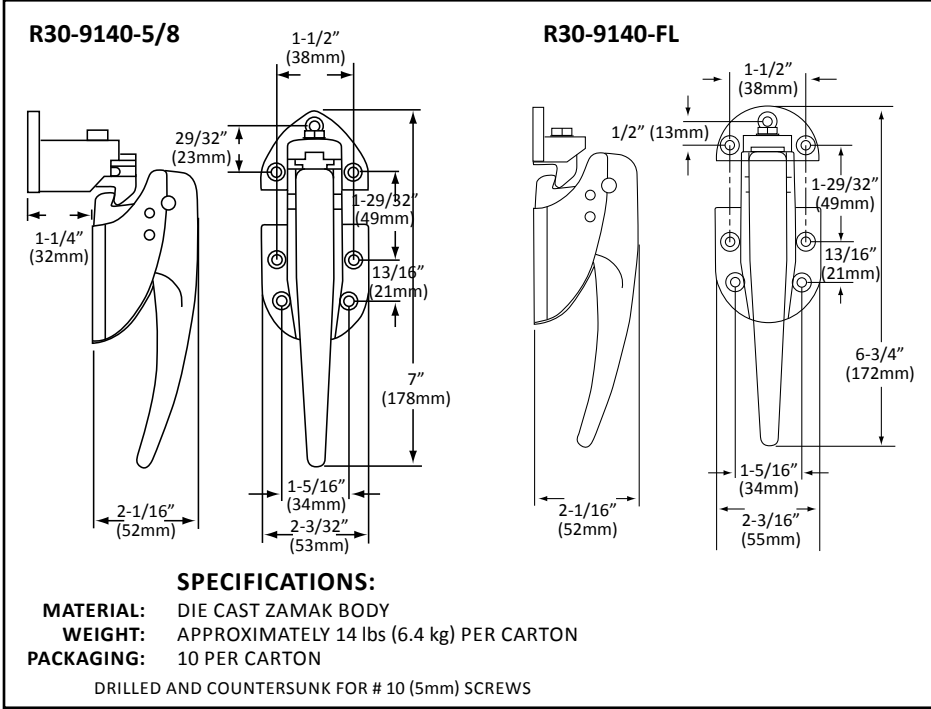
**SURFACE MOUNT LATCHES**

- POSITIVE SNAP-ACTION LATCH IS IDEAL FOR MOBILE CARTS AND REFRIGERATED CABINETS
- CHROME PLATED SNAP-ACTION LATCH PROVIDED WITH SOLID BRASS TRIGGER MECHANISM AND POWERFUL SPRING
- ADJUSTABLE FLUSH STRIKE OR ADJUSTABLE VARIABLE OFFSET MODELS TO CHOOSE FROM
- CHROME PLATED, HEAVY-DUTY PRESSURE DIE CAST HANDLES AND BODY WITHSTAND SEVERE COMMERCIAL USE
- REVERSIBLE FOR RIGHT OR LEFT HAND USE, DESIGNED TO ACCEPT SECURITY PADLOCKS

**R30 SERIES SURFACE MOUNT LATCHES**

MODEL NO.	OFFSET
R30-9140-FL	0-3/8" (0-9.5mm)
R30-9140-5/8	5/8" - 1-1/4" (16mm-32mm)

- MOUNTING HOLES Ø.230 THRU WITH Ø.352 X 82° CSK
- TOTAL 7 MOUNTING HOLES
- MOUNTING HOLES TO SUIT #10 FLAT HEAD SCREW



\*REPLACES STANDARD-KEIL #9140 OR #2818 SERIES WITH COMPONENT HARDWARE QUALITY HARDWARE



## NON-RISE EDGEMOUNT HINGE

IDEAL FOR REACH-IN REFRIGERATORS & ICE BINS

- CONTEMPORARY SLEEK STYLING • HEAVY-DUTY DIE CAST ZAMAK CONSTRUCTION
- POLISHED CHROME FINISH • AVAILABLE IN THREE POPULAR OFFSETS
  - NON-HANDED FOR LEFT AND RIGHT HAND OPERATION
  - UNIQUE ADJUSTING PLATE PROVIDES EASY ADJUSTMENT TO COMPENSATE FOR GASKET COMPRESSION
- SPRING ASSISTED MODELS AVAILABLE FOR ADDED CLOSING FORCE

B

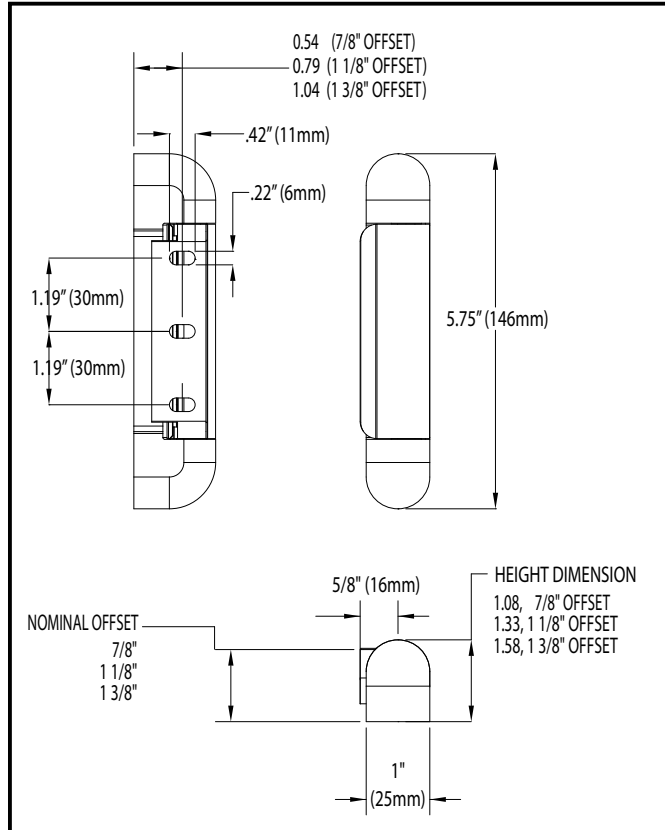


**R42-287x**  
**R42-289x\***

\*WITH POWER SPRING  
CONVERSION KIT



**R42-288x**  
WITH ADJUSTABLE  
SPRING CARTRIDGE



MODEL NO.	DESCRIPTION
R42-2871	Edgemount Hinge, CP, 7/8" Offset
R42-2872	Edgemount Hinge, CP, 1-1/8" Offset
R42-2873	Edgemount Hinge, CP, 1-3/8" Offset
R42-2880	Spring Cartridge Assy for R42-288X Series Hinges
R42-2881	Edgemount Adjustable Spring Hinge, CP, 7/8" Offset
R42-2882	Edgemount Adjustable Spring Hinge, CP, 1-1/8" Offset
R42-2883	Edgemount Adjustable Spring Hinge, CP, 1-3/8" Offset
R42-2890-C	Spring Kit for 289X Series Hinges
R42-2890-K**	Spring Kit for K220 Series Hinges
R42-2891	Edgemount Spring Hinge, CP, 7/8" Offset
R42-2892	Edgemount Spring Hinge, CP, 1-1/8" Offset
R42-2893	Edgemount Spring Hinge, CP, 1-3/8" Offset

### SPRING CONVERSION KITS AVAILABLE



**Model No.**  
**R42-2890-C**  
Conversion Kit  
for Component  
Hardware Hinges  
R42-289X

**Model No.**  
**R42-2890-K\*\***



B



**R42-2841**  
1-1/8" (28mm) OFFSET



**R42-2842**  
FOR REFRIGERATION APPLICATION  
CHROME PLATED  
1-1/8" (28mm) OFFSET



**R42-2842-BR**  
FOR REFRIGERATION APPLICATION  
BRASS PLATED  
1-1/8" (28mm) OFFSET

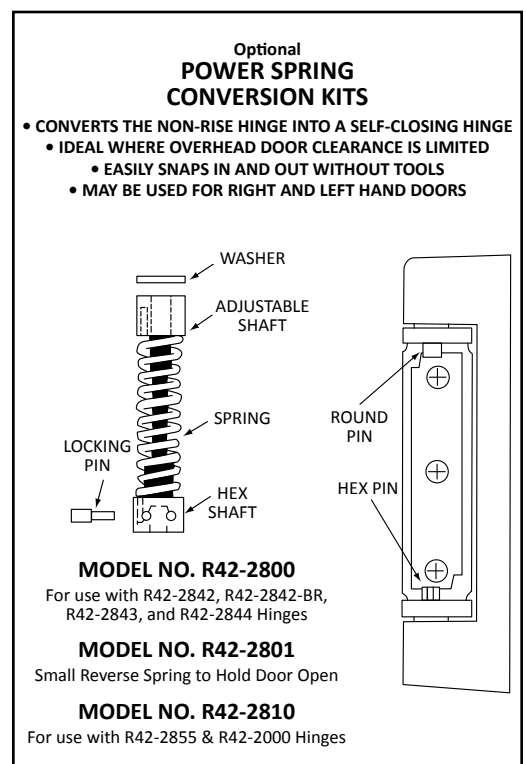
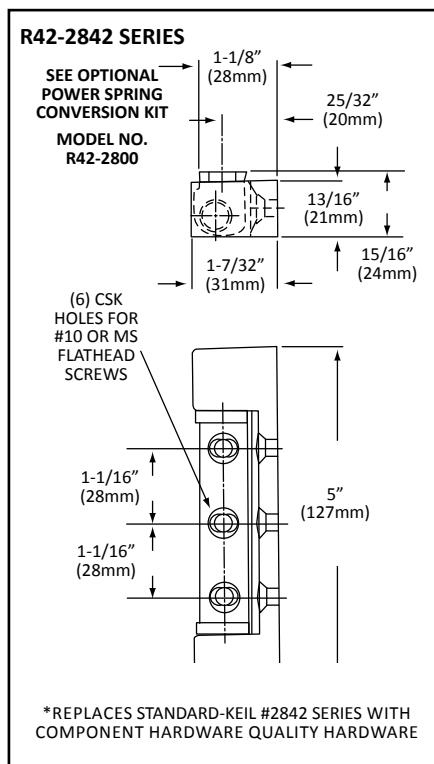
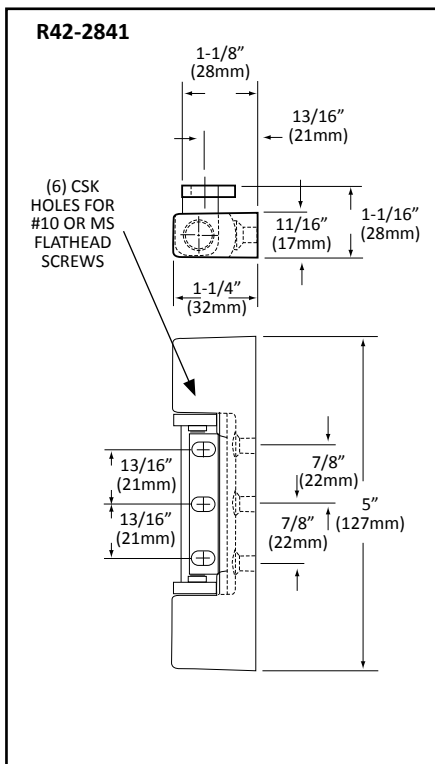


**R42-2842-BB**  
FOR REFRIGERATION APPLICATION  
CHROME PLATED  
1-1/8" (28mm) OFFSET  
WITH BRASS BUSHINGS

## NON-RISE / ADJUSTABLE REFRIGERATION EDGEMOUNT HINGES

IDEAL FOR...REACH-IN REFRIGERATORS AND UNDERBAR EQUIPMENT

- NON-RISE FUNCTION ALLOWS FOR EASY DOOR SWING WITHOUT CONCERN FOR DOOR RISE
  - SERRATED ADJUSTING PLATE ALLOWS FOR QUICK AND EASY DOOR ADJUSTMENT TO COMPENSATE FOR DOOR SAG
- UNIVERSAL MOUNTING BRACKETS ALLOW FOR EITHER RIGHT OR LEFT HAND OPERATION
  - MOUNTING HOLE LOCATIONS ARE INTERCHANGEABLE WITH COMPETITORS' HINGES
    - ACCEPTS POWER SPRING CONVERSION KIT
- CHROME PLATED OR BRASS PLATED CONTEMPORARY STYLING
  - SOLID ZINC DIE CAST CONSTRUCTION







**R42-2844**  
1-5/8" (41mm) OFFSET



**R42-2000**  
1-3/8" (35mm) OFFSET

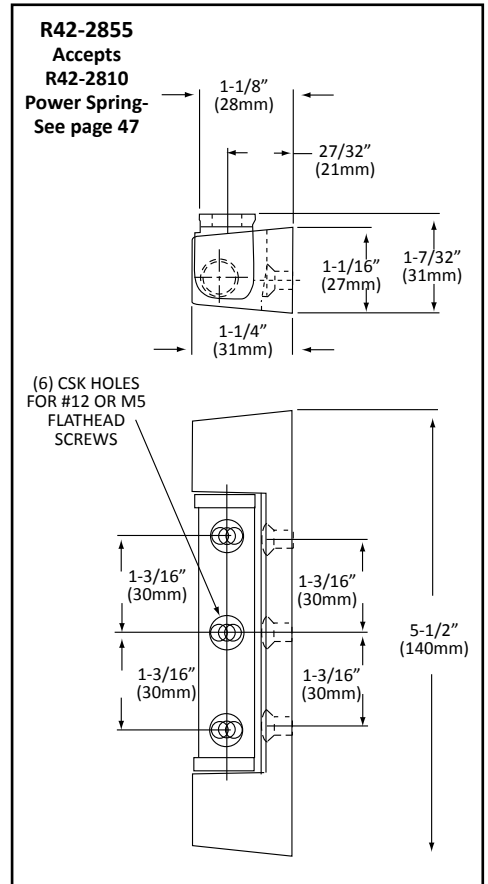
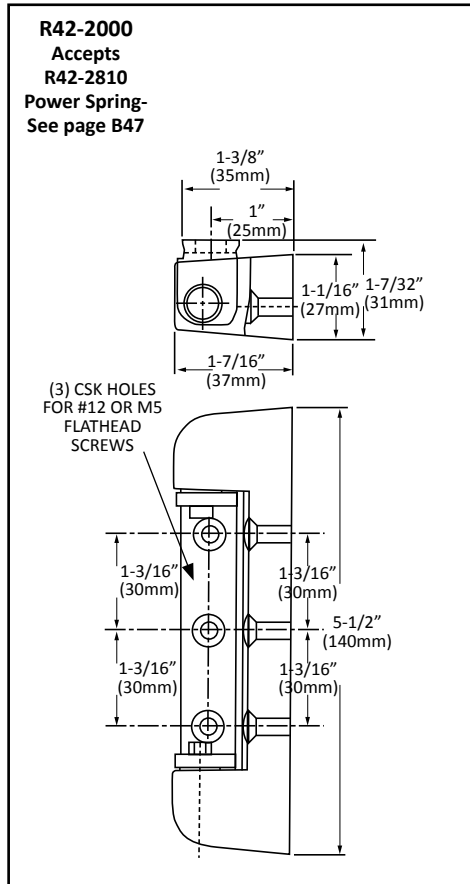
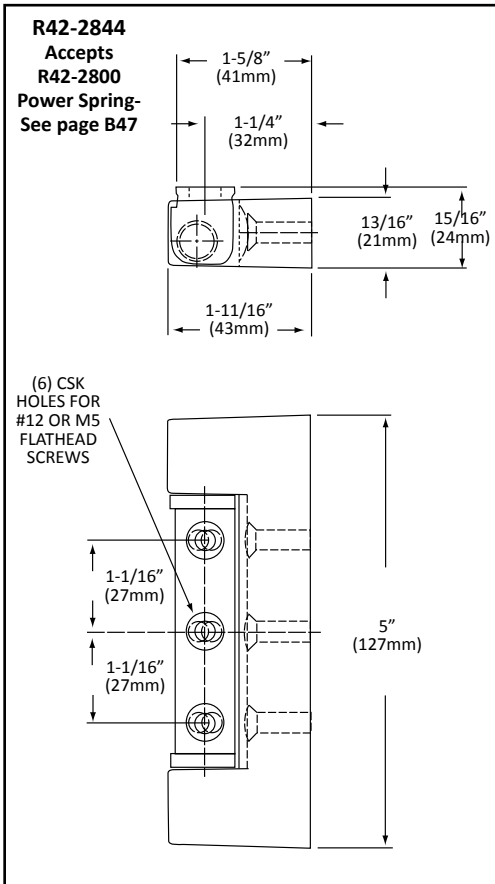


**R42-2855**  
1-1/8" (28mm) OFFSET

## NON-RISE / ADJUSTABLE HEAVY-DUTY EDMOUNT HINGES

DESIGNED FOR REACH-IN REFRIGERATORS AND UNDERBAR EQUIPMENT

- HEAVY-DUTY CONTEMPORARY STYLE LARGER NON-RISE HINGE ENGINEERED FOR USE ON HEAVIER DOORS
- UNIQUE ADJUSTING PLATE PROVIDES EASY VERTICAL AND HORIZONTAL MOUNTING ADJUSTMENT
- ACCEPTS POWER SPRING CONVERSION KIT
- SOLID ZINC DIE CAST CONSTRUCTION
- NON-HANDED FOR RIGHT OR LEFT HAND APPLICATION
- CHROME PLATED FINISH • BRONZE BUSHINGS



# Standard-Duty Non-Rise Edgemount Hinges



B



**R20 SERIES**  
7/8" (22mm) and 1-3/16" (30mm) OFFSET



**R40-1010**  
1-1/4" (32mm) OFFSET

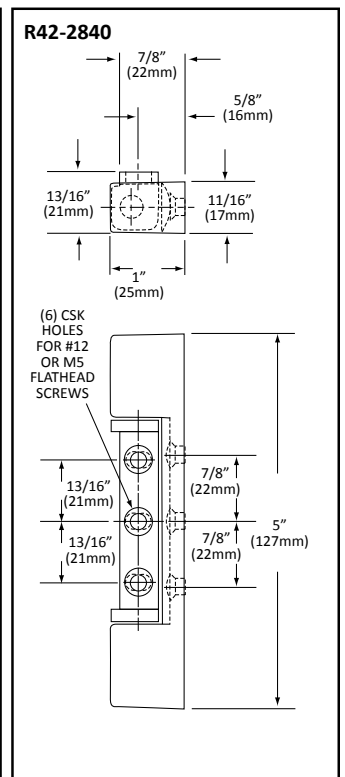
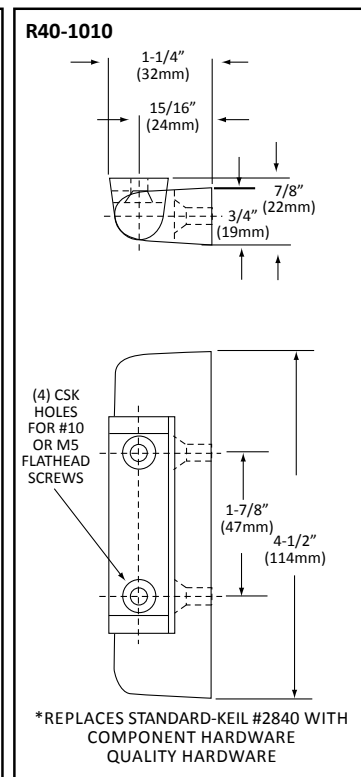
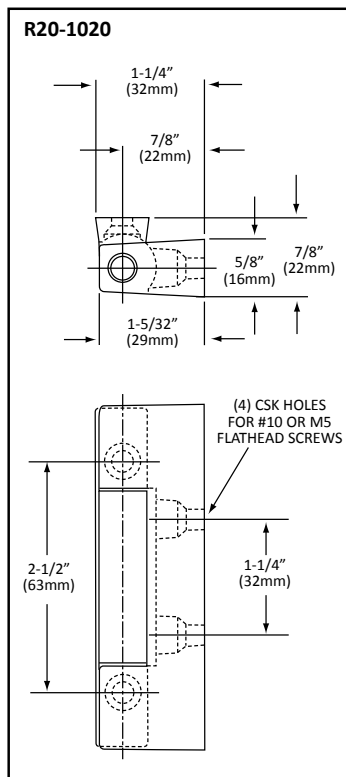
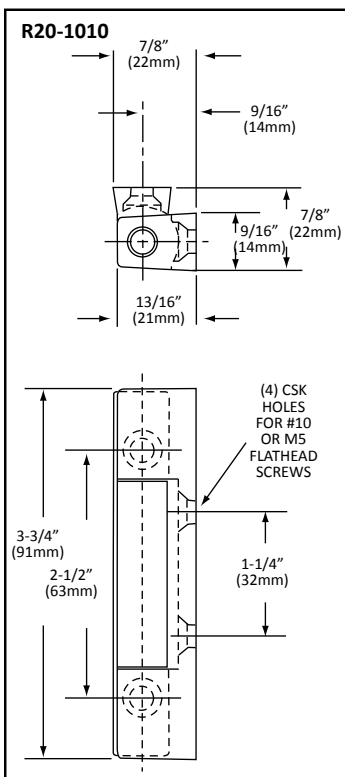


**R42-2840**  
7/8" (22mm) OFFSET

## SLIM-LINE / STANDARD-DUTY EDGEMOUNT HINGES

IDEAL FOR UNDERBAR EQUIPMENT, STANDARD REACH-IN REFRIGERATORS AND FREEZERS

- EASY TO MOUNT
- HIGH PRESSURE DIE CAST ZAMAK
- POLISHED CHROME PLATED FINISH
- NON-RISE FUNCTION ALLOWS FOR QUICK AND EASY DOOR ADJUSTMENT TO COMPENSATE FOR DOOR SAG
- CELCON SELF-LUBRICATING BUSHINGS PROVIDE SMOOTH, QUIET ACTION
- NON-HANDED FOR RIGHT AND LEFT HAND OPERATION
- CONTEMPORARY STYLING



# Lift-Off Edgemount Hinges



**R45-1010**  
1-3/16" (30mm) OFFSET



**R50-2850-SPO**  
1-3/8" (35mm) OFFSET



**R50-2850-SS**  
1-5/8" (41mm) OFFSET



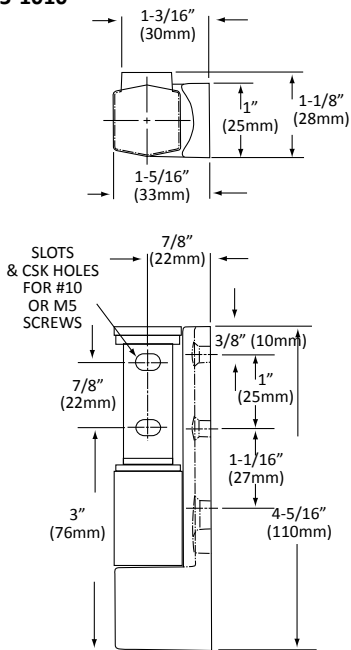
**R50-2850**  
1-5/8" (41mm) OFFSET

## LIFT-OFF / SELF CLOSING EDGEMOUNT HINGES

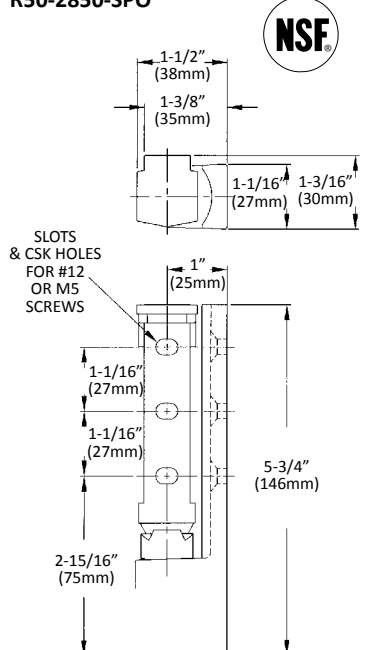
IDEAL FOR REACH-IN REFRIGERATORS AND DOORS EQUIPPED WITH MAGNETIC GASKETING

- CONTEMPORARY STYLING
- POLISHED CHROME PLATED FINISH\* • HIGH PRESSURE DIE CAST ZAMAK\*
- HOLD OPEN POSITION - CAM ALLOWS DOOR TO REMAIN IN HOLD OPEN POSITION AND REMAIN OPEN AT 120°
  - NON-HANDED - FOR RIGHT AND LEFT HAND OPERATION
  - ADJUSTABLE - TO COMPENSATE FOR GASKET WEAR
  - POLISHED CHROME OR BLACK POWDER COATED FINISH\*
- OVERCLOSE FEATURE...PROVIDES CONSTANT DOOR PRESSURE AND FULL GASKET SEAL
  - \*R50-2850-SS IS SATIN FINISH STAINLESS STEEL

### R45-1010\*

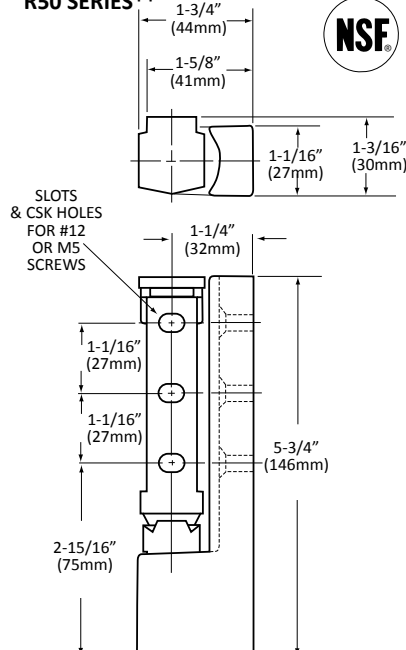


### R50-2850-SPO\*\*



\*REPLACES STANDARD-KEIL #2850 WITH COMPONENT HARDWARE QUALITY HARDWARE

### R50 SERIES\*\*



\*REPLACES STANDARD-KEIL #2850 WITH COMPONENT HARDWARE QUALITY HARDWARE

Also available...  
**NON LIFT-OFF MODEL**

Prevents accidental door removal when doors are left in open position. The retaining component is easily disengaged for door removal. All other hinge features are maintained.  
**MODEL NO. R50-2850-NL**  
1-5/8" (41mm)

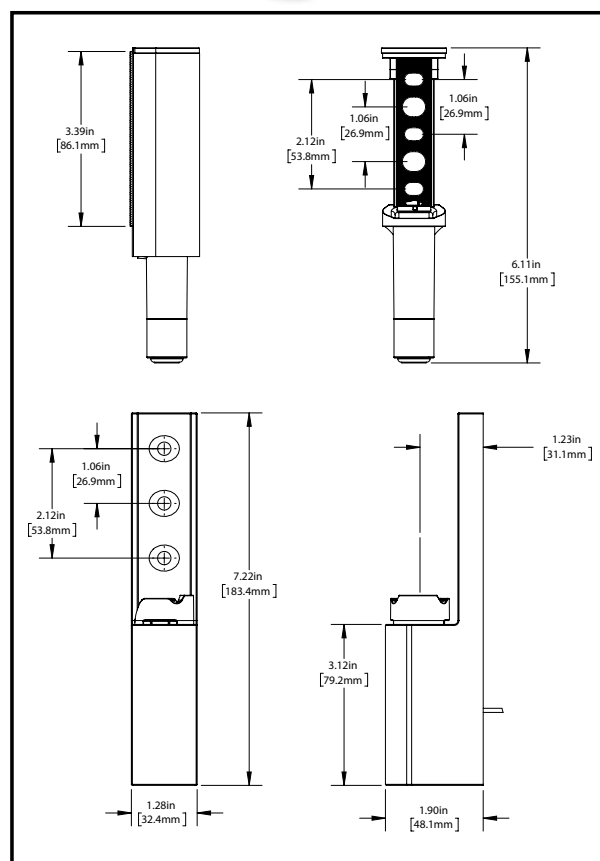
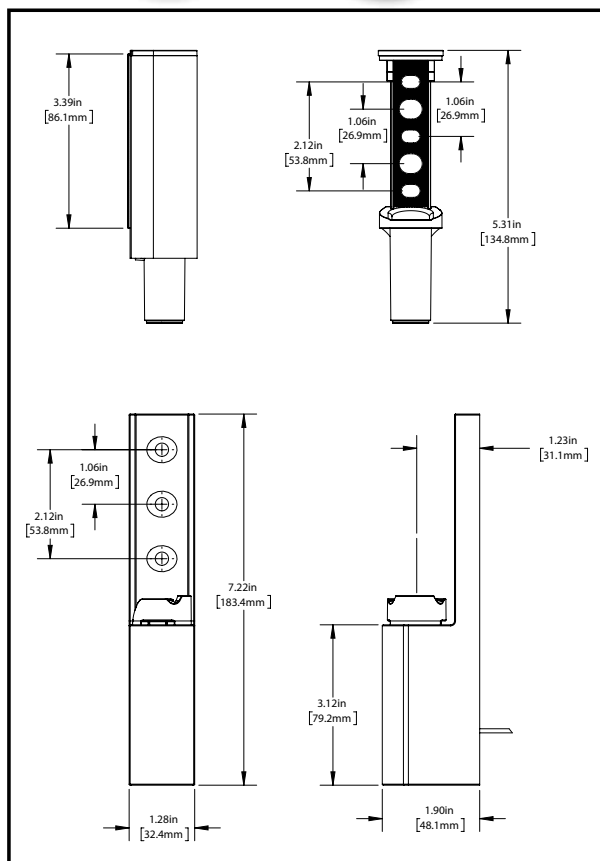
OFFSET EDGEMOUNT HINGE  
NON LIFT-OFF SPRING ASSISTED  
**MODEL NO. R50-2851**  
1-1/58" (41mm) OFFSET

\* R45-1010 HINGES ARE FURNISHED WITH AN ADJUSTING PLATE FOR UP TO 3/16" (5mm) ADJUSTMENT. DRILLED AND COUNTERSUNK FOR #10 SCREWS.

\*\* R50 SERIES HINGES ARE FURNISHED WITH AN ADJUSTING PLATE FOR UP TO 3/16" (5mm) ADJUSTMENT. DRILLED AND COUNTERSUNK FOR #12 SCREWS.



B



REF.	MODEL NO.	DESCRIPTION
A	R51-2000	Hinge, Electronic, Edgewise Lift-Off, No Switch
B	R51-2000-RS	Hinge, Electronic, Edgewise Lift-Off, w/Push Button Switch (2 wires to run one accessory)
C	R51-2000-CS	Hinge, Electronic, Edgewise Lift-Off, w/Connector Switch (3 wires to run two accessories)

**R51-2000-RS SPECIFICATIONS**

SWITCH TYPE: SPST, NORMALLY CLOSED  
 AMPS: 5A @ 125 VAC, 60HZ (UL RATED); 2.5A @ 250 VAC  
 WIRES: SUPPLIED WITH TWO WHITE 18 AWG, AWM, 300 VAC, 105°C  
 FLAMMABILITY RATING (WIRE): VW-1 (UL) AND FT1 (CSA)  
 FLAMMABILITY RATING (SWITCH BASE/PLUNGER): UL-94, V-2

**R51-2000-CS SPECIFICATIONS**

Integrated connector  
 Voltage: Either 48 VDC or VAC for one or two power delivery circuits  
 Amps: 5 Amps cumulative total  
 Wires: Supplied with one white (common), one red, and one brown, 18 AWG, AWM, 300 VAC, 105°C  
 Flammability Rating (Wire): VW-1 (UL) and FT1 (CSA)  
 Flammability Rating (Switch Base/Plunger): UL-94, V-2



Tested with standard 2



## R40-1010 SERIES

REF.	MODEL NO.	DESCRIPTION
A	R40-X002	Cover
B	R40-X003	Adjustment Plate



## R42-2840 SERIES

REF.	MODEL NO.	DESCRIPTION
A	R42-X038	Cover



## R42-2842/43/44 SERIES

REF.	MODEL NO.	DESCRIPTION
A	R42-X003	Adjustment Plate
B	R42-X004	Cover
C	R42-X008	Adjustment Plate, Brass



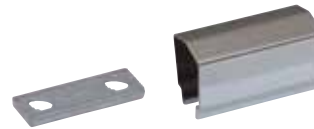
## R42-2855 SERIES

REF.	MODEL NO.	DESCRIPTION
A	R42-X020	Cover
B	R42-X021	Adjustment Plate



## R42-2870/90 SERIES

REF.	MODEL NO.	DESCRIPTION
A	R42-X103	Cover



## R45-1010 SERIES

REF.	MODEL NO.	DESCRIPTION
A	R45-X003	Adjustment Plate
B	R45-X004	Cover



## R50 SERIES

REF.	MODEL NO.	DESCRIPTION
A	R50-X003	Cover
B	R50-X004	Cam, Old Style
C	R50-X004-A	Cam, New Style
D	R50-X004-C	Cam, New Style, No Switch Holes
E	R50-X005	Adjustment Plate



## R50-SS SERIES

REF.	MODEL NO.	DESCRIPTION
A	R50-X003-SS	Cover, S/S
B	R50-X004-SS	Cam, Old Style, Glass Filled
C	R50-X004-SSA	Cam, New Style, Glass Filled
D	R50-X005-SS	Adjustment Plate, S/S





## R56 SERIES CONCEALED POWER CARTRIDGE HINGE

- **HOLD OPEN DWELL** ALLOWS DOOR TO REMAIN OPEN AT 90° FOR EASE OF PRODUCT STOCKING
- **CUSHIONED STOP** IS EMPLOYED AT 115° TO ABSORB SHOCK, ELIMINATING DAMAGE TO FRAME, DOOR AND ADJACENT EQUIPMENT
- **SELF-CLOSING** NON-RISE SPRING ACTUATED CAM
- **OVERCLOSE DESIGN** ASSURES CONSTANT DOOR PRESSURE FOR FULL GASKET SEAL
- **SELF-LUBRICATING** DISSIMILAR CAM MATERIALS ASSURE SMOOTH OPERATION WITHOUT SUPPLEMENTARY LUBRICATION
- **SILENT & SMOOTH OPERATION**
- **REVERSIBLE APPLICATION** CARTRIDGE ASSEMBLY CAN BE USED FOR LEFT OR RIGHT HAND DOORS



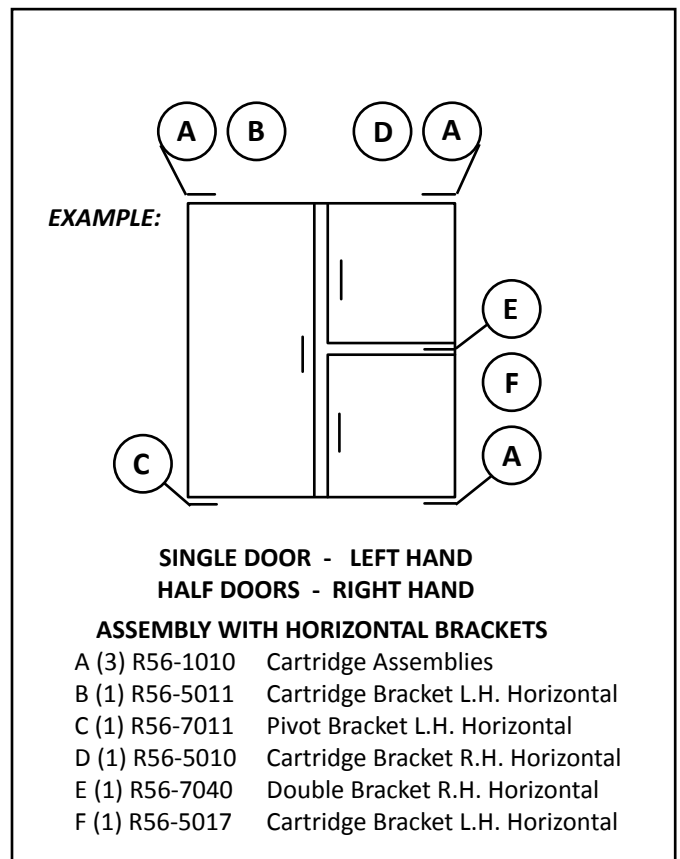
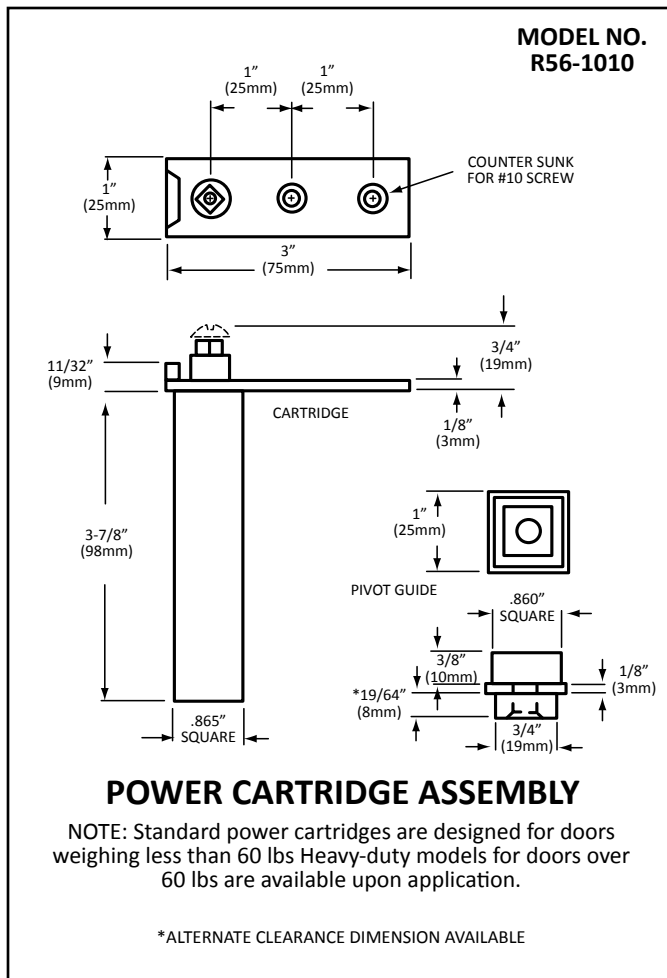
SHOWN WITH  
OPTIONAL BRACKET  
MODEL NO. R56-6010

SHOWN WITH  
OPTIONAL BRACKET  
MODEL NO. R56-5010

PHOTOGRAPH SHOWS TOP MOUNTED CARTRIDGE ASSEMBLY. WHERE SPACE REQUIRES, CARTRIDGE MAY BE BOTTOM MOUNTED.

### SPECIFICATIONS:

- CASE:** DIE CAST ZAMAK  
**FINISH:** CHROME PLATED OR OPTIONAL BLACK EPOXY POWDER COATED FINISH AVAILABLE  
**UPPER CAM:** DIE CAST ZAMAK  
**LOWER CAM:** NYLON  
**SPRING:** COMPRESSION TYPE, SILICON WIRE  
**PIVOT GUIDE:** NYLON





## CONCEALED PIVOT BRACKETS

MATERIAL HARDENED STEEL, CHROME PLATED  
 OPTIONAL: BLACK EPOXY POWDER COATED FINISH

- VERTICAL AND HORIZONTAL BRACKETS ACCOMMODATE VARIOUS CONSTRUCTION REQUIREMENTS

- BOTH ASSEMBLIES PROVIDE PERFECT OPERATION USING A PIVOT DISTANCE OF 1-15/16" (33mm)

CARTRIDGE AND PIVOT GUIDE INSTALLATION IS SIMPLE, REQUIRING A 7/8" (22mm) SQUARE OPENING IN BOTH TOP AND BOTTOM OF DOOR

- BRACKETS AND CARTRIDGES MUST BE ORDERED SEPARATELY. TO ASSIST IN SELECTING THE PROPER COMPONENTS A TYPICAL APPLICATION EXAMPLE IS ILLUSTRATED PAGE B53

### HORIZONTAL CARTRIDGE BRACKETS

WITH VERTICAL MOUNTING HOLES



**MODEL NO. R56-5010**  
RIGHT HAND (AS ILLUSTRATED)



**MODEL NO. R56-5011**  
LEFT HAND (OPPOSITE)

### HORIZONTAL CARTRIDGE BRACKETS

WITH HORIZONTAL MOUNTING HOLES



**MODEL NO. R56-5016**  
RIGHT HAND (AS ILLUSTRATED)



**MODEL NO. R56-5017**  
LEFT HAND (OPPOSITE)

### VERTICAL CARTRIDGE BRACKETS

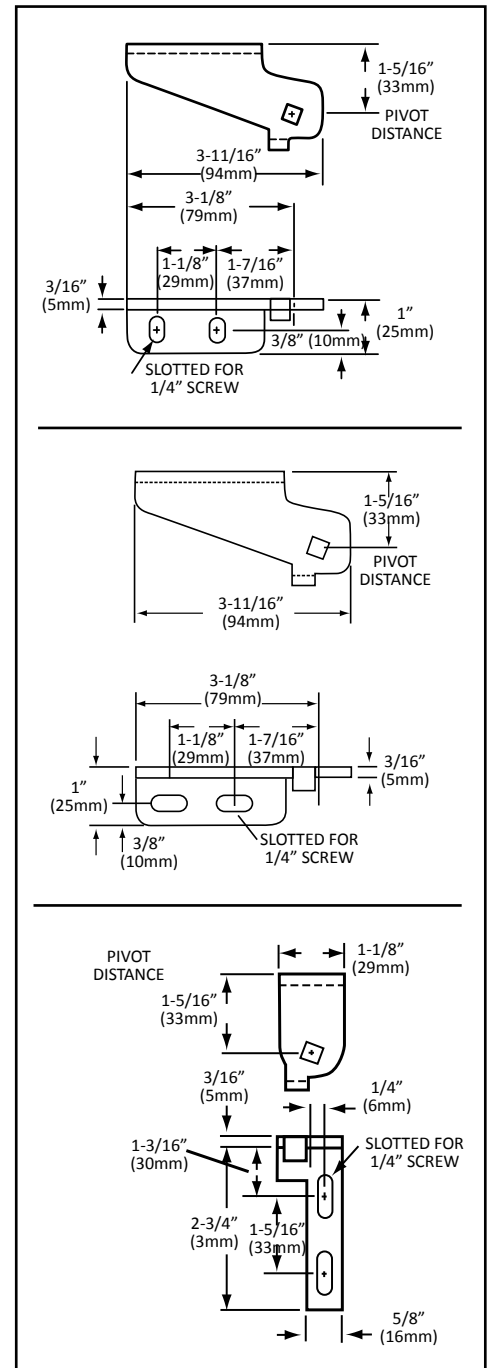
WITH VERTICAL MOUNTING HOLES



**MODEL NO. R56-6010**  
RIGHT HAND (AS ILLUSTRATED)



**MODEL NO. R56-6011**  
LEFT HAND (OPPOSITE)





## CONCEALED PIVOT BRACKETS

MATERIAL HARDENED STEEL, CHROME PLATED  
 OPTIONAL: BLACK EPOXY POWDER COATED FINISH

- VERTICAL AND HORIZONTAL BRACKETS ACCOMMODATE VARIOUS CONSTRUCTION REQUIREMENTS
  - BOTH ASSEMBLIES PROVIDE PERFECT OPERATION USING A PIVOT DISTANCE OF 1-15/16" (33mm)
- CARTRIDGE AND PIVOT GUIDE INSTALLATION IS SIMPLE, REQUIRING A 7/8" (22mm) SQUARE OPENING IN BOTH TOP AND BOTTOM OF DOOR
- BRACKETS AND CARTRIDGES MUST BE ORDERED SEPARATELY. TO ASSIST IN SELECTING THE PROPER COMPONENTS A TYPICAL APPLICATION EXAMPLE IS ILLUSTRATED PAGE B53

B

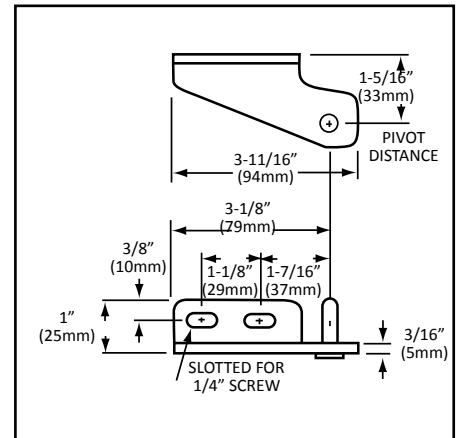
### HORIZONTAL PIVOT BRACKETS WITH HORIZONTAL MOUNTING HOLES



**MODEL NO. R56-7010**  
 RIGHT HAND (AS ILLUSTRATED)



**MODEL NO. R56-7011**  
 LEFT HAND (OPPOSITE)



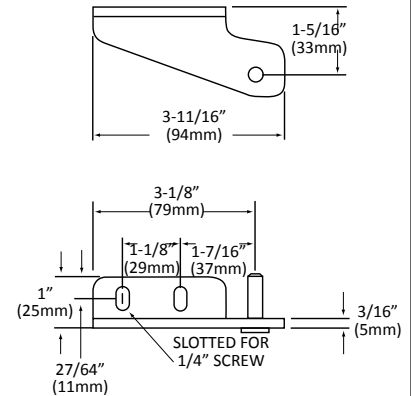
### HORIZONTAL PIVOT BRACKETS WITH VERTICAL MOUNTING HOLES



**MODEL NO. R56-7014**  
 RIGHT HAND (AS ILLUSTRATED)



**MODEL NO. R56-7015**  
 LEFT HAND (OPPOSITE)



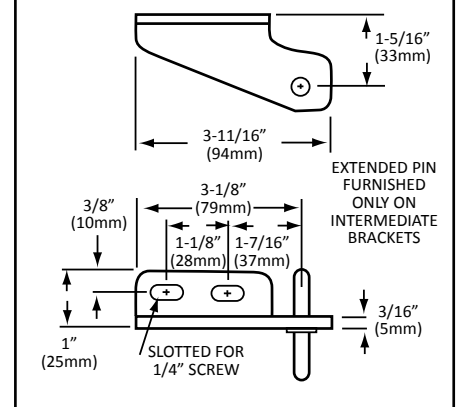
### HORIZONTAL INTERMEDIATE PIVOT BRACKETS WITH HORIZONTAL MOUNTING HOLES



**MODEL NO. R56-7040\***  
 RIGHT HAND (AS ILLUSTRATED)



**MODEL NO. R56-7041\***  
 LEFT HAND (OPPOSITE)



\*Non-stock items. Special order only. Please call for quote.



## CONCEALED PIVOT BRACKETS

MATERIAL HARDENED STEEL, CHROME PLATED  
 OPTIONAL: BLACK EPOXY POWDER COATED FINISH

- VERTICAL AND HORIZONTAL BRACKETS ACCOMMODATE VARIOUS CONSTRUCTION REQUIREMENTS

- BOTH ASSEMBLIES PROVIDE PERFECT OPERATION USING A PIVOT DISTANCE OF 1-15/16" (33mm)

CARTRIDGE AND PIVOT GUIDE INSTALLATION IS SIMPLE, REQUIRING A 7/8" (22mm) SQUARE OPENING IN BOTH TOP AND BOTTOM OF DOOR

- BRACKETS AND CARTRIDGES MUST BE ORDERED SEPARATELY. TO ASSIST IN SELECTING THE PROPER COMPONENTS A TYPICAL APPLICATION EXAMPLE IS ILLUSTRATED PAGE B53

### VERTICAL INTERMEDIATE PIVOT BRACKETS

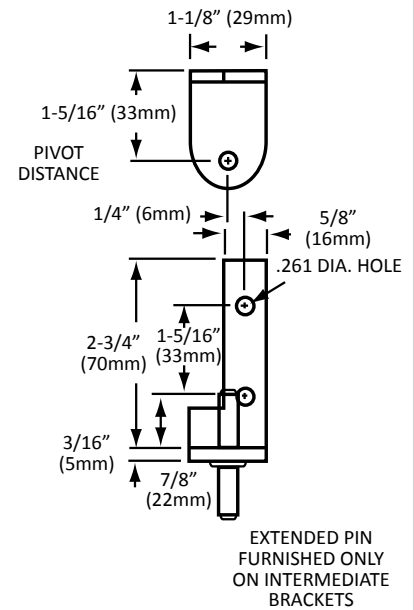
WITH ROUND MOUNTING HOLES



**MODEL NO. R56-8040**  
 RIGHT HAND (AS ILLUSTRATED)



**MODEL NO. R56-8041**  
 LEFT HAND (OPPOSITE)



### VERTICAL PIVOT BRACKETS

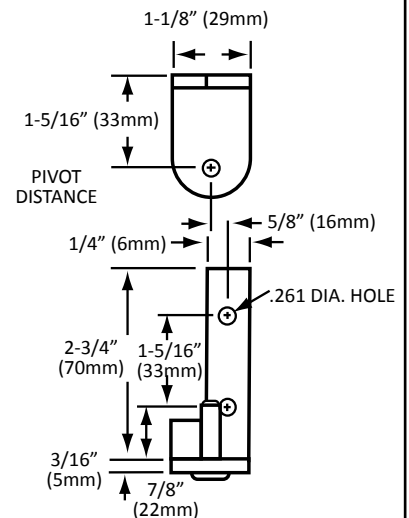
WITH ROUND MOUNTING HOLES



**MODEL NO. R56-8010**  
 RIGHT HAND (AS ILLUSTRATED)

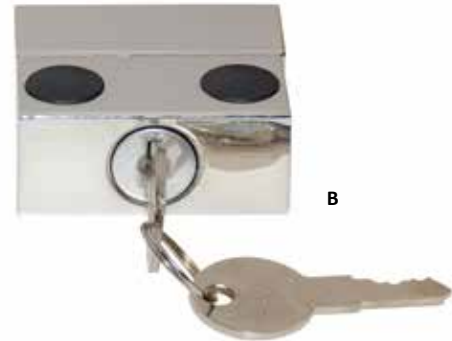


**MODEL NO. R56-8011**  
 LEFT HAND (OPPOSITE)





B

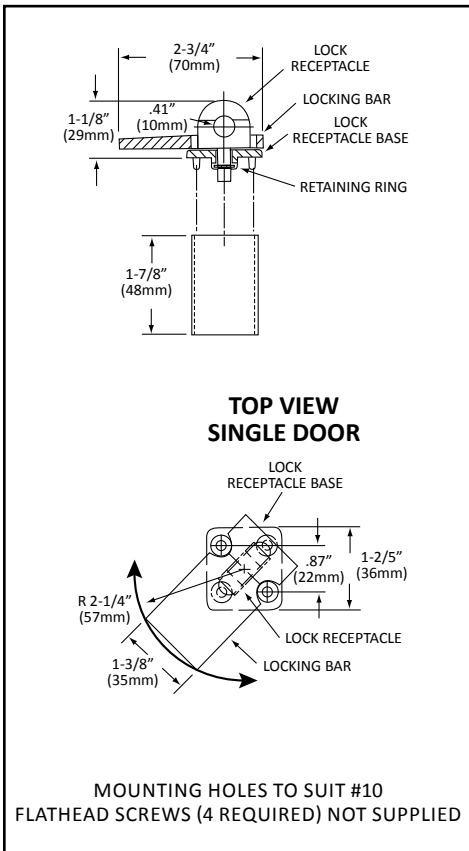


REF. A **PADLOCK HASP ASSEMBLY FOR SINGLE DOOR**

- HEAVY DUTY BRASS CHROME PLATED CONSTRUCTION
- TAMPERPROOF, ALL MOUNTING SCREWS CONCEALED
- REVERSIBLE DESIGN

**MODEL NO. R99-1200**

**PADLOCK HASP ASSEMBLY 1-7/8" OFFSET / SINGLE DOOR**

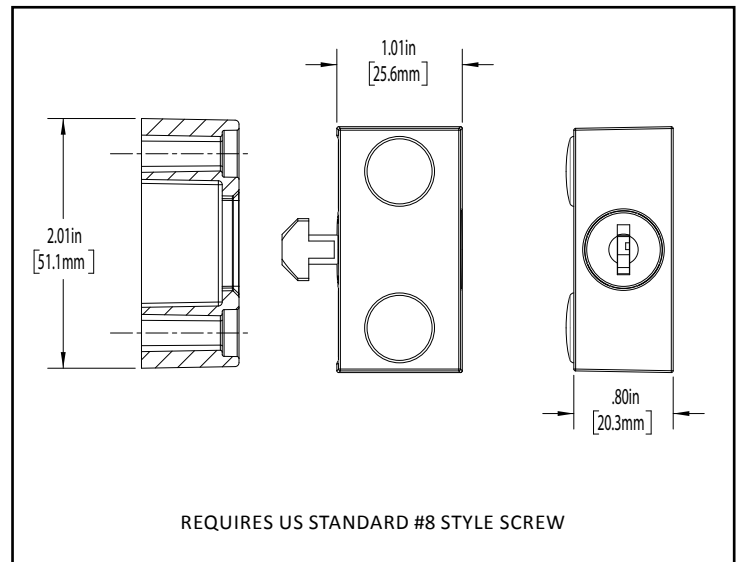


REPLACES\* DENT #D-112 WITH COMPONENT HARDWARE QUALITY HARDWARE

REF. B **SECURITY LOCK**

- HIGH POLISH CHROME FINISH
- EASY INSTALLATION
- VERTICAL AND HORIZONTAL ADJUSTMENTS
- FOUR-DISC CYLINDER PROVIDES EXTRA SECURITY
- BLACK PLASTIC CAPS INCLUDED
- COMPATIBLE WITH GLASS AND MOST OTHER DOORS

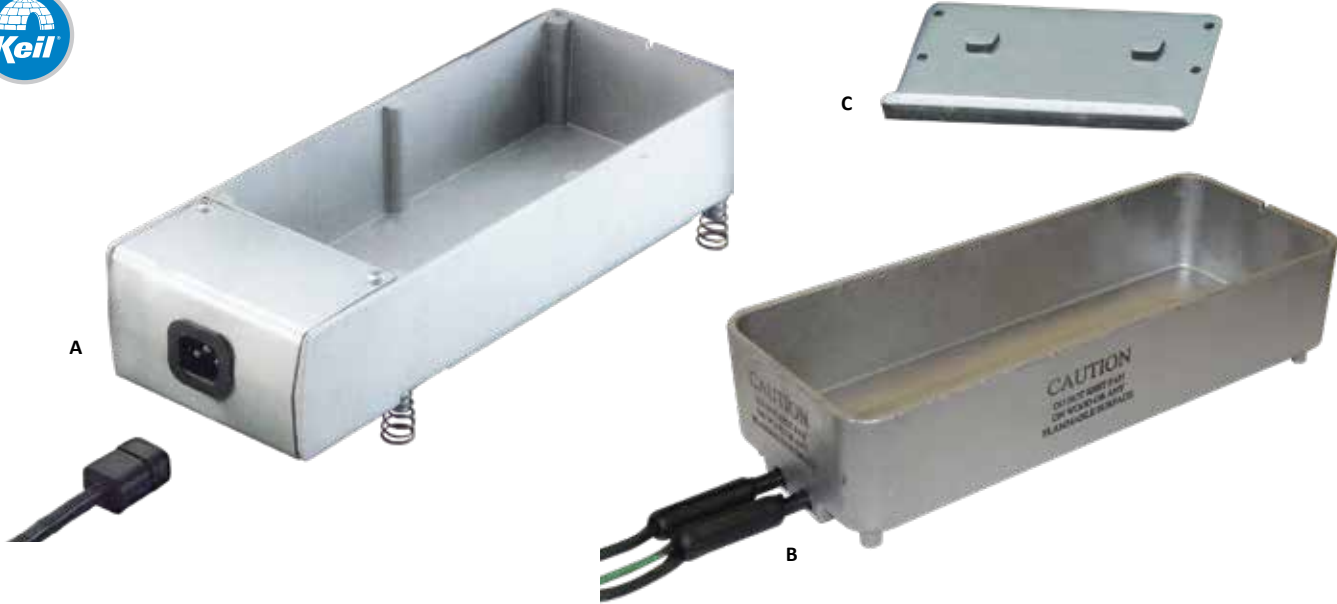
**MODEL NO. P99-100SL-01**  
**SECURITY LOCK**







B



REF. A

## UL-PTC EVAPMATIC CONDENSATE EVAPORATORS FEATURES

- ALL MODELS U.L. RECOGNIZED (FILE #SA7009)
- HEATER PAD WITH PTC RESISTOR WIRE CONSERVES ENERGY BY SELF-REGULATING THE WATTAGE REQUIRED TO BURN OFF CONDENSATE IN THE PAN
- 160, 190 AND 300 WATT MODELS • 117 AND 220 VOLT MODELS
- DIE CAST ALUMINUM CONSTRUCTION • 50 oz (1479ml) CAPACITY
- REMOVABLE CORDSETS WITH MOLDED PLUGS
- CE APPROVED MODELS FOR EUROPEAN 160 AND 300 WATT, 230 VOLT APPLICATIONS

U.L. MODEL NO.	C.S.A. MODEL NO.	WATTAGE	VOLTAGE	CAPACITY	EVAPORATOR rate/hr.
T12-0370	-	160	117	50 oz (1479ml)	3 oz (90ml)
T12-0372	-	160	220	50 oz (1479ml)	3 oz (90ml)
T12-5000	-	300	117	50 oz (1479ml)	5.75 oz (170ml)
T12-5200	-	300	220	50 oz (1479ml)	5.75 oz (170ml)
-	T12-5000-CSA	190	117	50 oz (1479ml)	5.4 oz (160ml)
-	T12-5200-CSA	190	220	50 oz (1479ml)	5.4 oz (160ml)
T12-0372-CE	-	160	230	50 oz (1479ml)	3 oz (90ml)
T12-0372-CE48	-	160	230	50 oz (1479ml)	3 oz (90ml)
T12-0372-CE84	-	160	230	50 oz (1479ml)	3 oz (90ml)
T12-5200-CE	-	300	230	50 oz (1479ml)	5.75 oz (170ml)
T12-5200-CE48	-	300	230	50 oz (1479ml)	5.75 oz (170ml)
T12-5200-CE84	-	300	230	50 oz (1479ml)	5.75 oz (170ml)

### SPECIFICATIONS:

**VOLUME:** 50 FLUID OUNCES (1479 ml)

**O.A. SIZE:** 4-3/4" X 12-1/2" X 2-3/4"  
(120mm X 317mm X 70mm)

**PAN:** DIE CAST ALUMINUM

**CORDSET:** REMOVABLE, 18" (457mm) LONG STANDARD

**LEGS:** WIRE SPRING TYPE



CERTIFIED  
FILE #LR85668



FILE NO. SA7009

REF. B

## BASIC CONDENSATE EVAPORATOR

- STANDARD SIZE
- DIE CAST ALUMINUM CONSTRUCTION
- 18" (457mm) LG. WIRE LEADS
- 34 oz (1000ml) CAPACITY

### MODEL NO. T10-3351

(160 WATTS, 117 VOLTS)

### SPECIFICATIONS:

**VOLUME:** 34 FLUID OUNCES (1000ml)

**O.A. SIZE:** 4" X 10-1/8" X 3"  
(102mm X 260mm X 76mm)

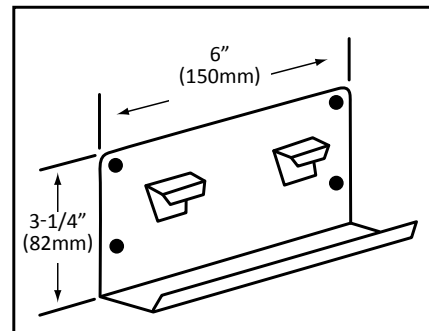
**PAN:** DIE CAST ALUMINUM

**WIRE LEADS:** 18" (457mm) LONG

**LEGS:** WIRE SPRING TYPE

REF. C

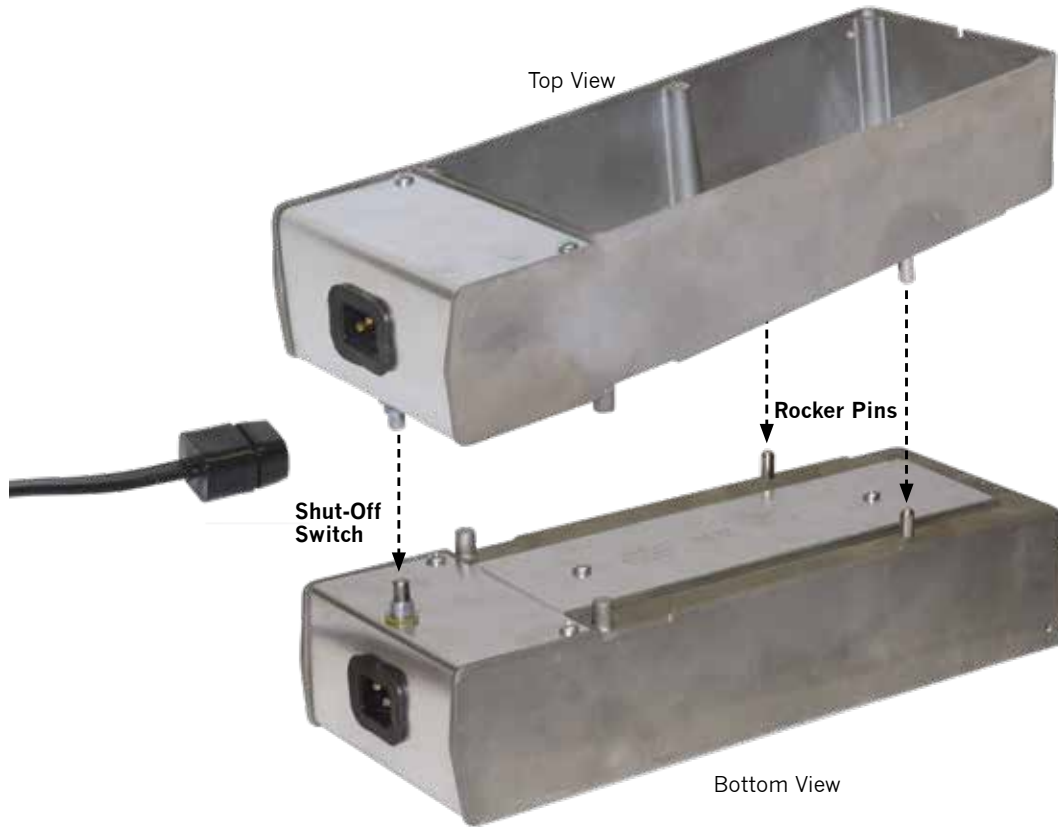
### MODEL NO. T12-3390



**NOTE:** LONGER CORDSETS WITH OR WITHOUT MOLDED PLUGS ARE AVAILABLE UPON APPLICATION



B



## UL-PTC EVAPMATIC CONDENSATE EVAPORATORS WITH ENERGY-SAVING ON/OFF PRESSURE SWITCH

- WEIGHT-SENSING ON/OFF PRESSURE SWITCH AND ROCKER PINS ON BOTTOM OF UNIT REDUCE ENERGY CONSUMPTION BY ONLY ACTIVATING THE EVAPORATOR WHILE WATER IS PRESENT IN THE PAN
- HEATER PAD WITH PTC RESISTOR WIRE FURTHER CONSERVES ENERGY BY SELF-REGULATING THE WATTAGE REQUIRED TO BURN OFF CONDENSATE IN THE PAN
- 160 WATT AND 300 WATT MODELS AVAILABLE • 117 VOLT AND 220 VOLT MODELS AVAILABLE
  - 50 FL. OZ. (1479ml) DIE CAST ALUMINUM PAN
  - 18" (457mm) GROUNDED REMOVABLE CORD SET (OTHER LENGTHS AVAILABLE WITH OR WITHOUT PLUG)

U.L. MODEL NO.	WATTAGE	VOLTAGE	CAPACITY	EVAPORATOR rate/hr.
T12-0370-P	160W	117V	50 oz (1479ml)	3 oz (90ml)
T12-0372-P	160W	220V	50 oz (1479ml)	3 oz (90ml)
T12-5000-P	300W	117V	50 oz (1479ml)	5.75 oz (170ml)
T12-5200-P	300W	220V	50 oz (1479ml)	5.75 oz (170ml)





B



## REFRIGERATOR / FREEZER THERMOMETERS

**ECONOMICAL REFRIGERATOR / FREEZER THERMOMETER MODEL NO. T90-330**

- DUAL SCALE TEMPERATURE RANGE -40° TO 120°F (-40° TO 50°C)
- NON-TOXIC SOLUTION IN COMPLETELY SEALED GLASS TUBE
- HANGS FROM SHELF OR FASTENS PERMANENTLY
- UNIQUE 360° SWIVEL MOUNTING BRACKET

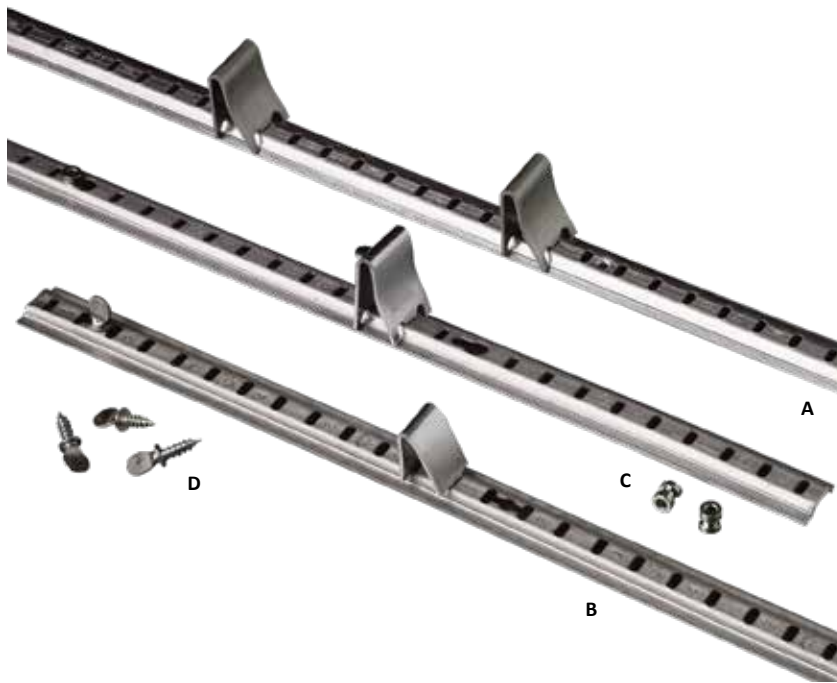
**SURFACE MOUNT THERMOMETER MODEL NO. T90-6812**

- DUAL SCALE TEMPERATURE RANGE -40° TO 65°F (-40° TO 20°C) • STAINLESS STEEL HOUSING
- 2" DIAL - 3-1/2" FLANGE • RECALIBRATEABLE
- ACCURACY + 2% • 48" CAPILLARY

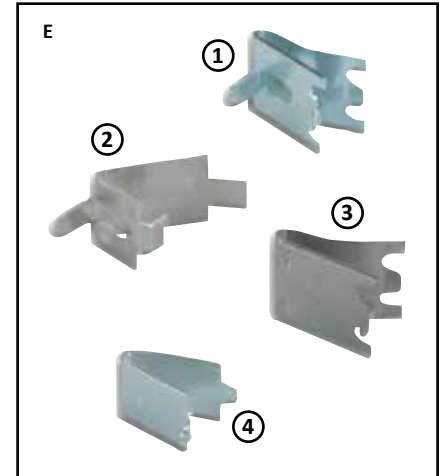
---

**FLUSH FRONT RECESSED MOUNT THERMOMETER MODEL NO. T90-6142**

- DUAL SCALE TEMPERATURE RANGE -40° TO 65°F (-40° TO 20°C) • STAINLESS STEEL HOUSING
- ACCURACY + 2% • 2" DIAL - 3" FLANGE
- RECALIBRATEABLE • 48" CAPILLARY



B



**REF. A**  
**CONVENTIONAL TYPE  
PILASTER**

**REF. B**  
**REMOVABLE TYPE  
PILASTER**

**REF. C**  
**KEYHOLE TYPE  
PILASTER**

ALUMINUM MODEL NO.	STAINLESS STEEL MODEL NO.	LENGTH
T22-0024	T22-1024	24" (610mm)
T22-0036	T22-1036	36" (914mm)
T22-0042	T22-1042	42" (1067mm)
T22-0048	T22-1048	48" (1219mm)
T22-0060	T22-1060	60" (1524mm)
T22-0072	T22-1072	72" (1828mm)
T22-0144	T22-1144	144" (3658mm)

ALUMINUM MODEL NO.	STAINLESS STEEL MODEL NO.	LENGTH
T23-0024	T23-1024	24" (610mm)
T23-0036	T23-1036	36" (914mm)
T23-0042	T23-1042	42" (1067mm)
T23-0048	T23-1048	48" (1219mm)
T23-0060	T23-1060	60" (1524mm)
T23-0072	T23-1072	72" (1828mm)
T23-0144	T23-1144	144" (3658mm)

ALUMINUM MODEL NO.	STAINLESS STEEL MODEL NO.	LENGTH
T21-0024	T21-1024	24" (610mm)
T21-0036	T21-1036	36" (914mm)
T21-0042	T21-1042	42" (1067mm)
T21-0048	T21-1048	48" (1219mm)
T21-0060	T21-1060	60" (1524mm)
T21-0072	T21-1072	72" (1828mm)
T21-0144	T21-1144	144" (3658mm)

NOTE: SPECIAL LENGTHS AVAILABLE UPON APPLICATION. SHELF SLOTS ARE 1/2" ADJUSTMENT. COUNTERSUNK MOUNTING HOLES EQUALLY SPACED ON 6" CENTERS AND WILL ACCEPT #4 FLAT HEAD SCREWS OR STANDARD POP-RIVETS.

NOTE: SPECIAL LENGTHS AVAILABLE UPON APPLICATION. SHELF SLOTS ARE 1/2" ADJUSTMENT. KEYHOLE SLOTS EQUALLY SPACED ON 6" CENTERS. DESIGNED FOR USE WITH REMOVABLE THUMBSCREW MODEL NO. T32-5020.

NOTE: SPECIAL LENGTHS AVAILABLE UPON APPLICATION. SHELF SLOTS ARE 1/2" ADJUSTMENT. KEYHOLE SLOTS EQUALLY SPACED ON 6" CENTERS. DESIGNED FOR USE WITH KEYHOLE SUPPORT MODEL NO. T34-1010.

**REF. D**

**STAINLESS STEEL  
THUMBSCREW**

**MODEL NO. T32-5020**

SIZE: #8 x 1/2" (13mm) LONG

**POP-RIVET TYPE  
KEYHOLE SUPPORT**

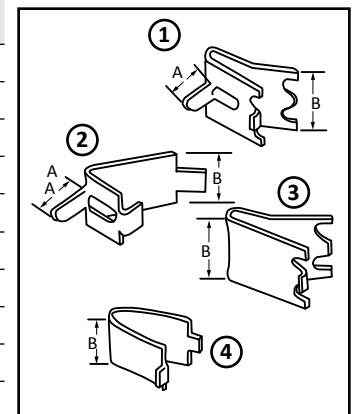
**MODEL NO. T34-1010**

BRASS NICKEL PLATED MATERIAL  
USE WITH 1/8" DIA.  
X 1/3" LG. RIVETS  
(3mm DIA. x 7.5mm) LONG

**REF. E**

**SNAP-IN SHELF SUPPORTS**

REF.	MODEL NO.	MATERIAL	"A" TAB HEIGHT	"B" CLIP WIDTH
1	T30-5130	Stainless Steel	7/16" (11mm)	7/8" (22mm)
1	T30-5130-TAB	Stainless Steel	1/4" (6mm)	7/8" (22mm)
1	T30-5131	Zinc Plated	7/16" (11mm)	7/8" (22mm)
3	T30-5030	Stainless Steel	-	7/8" (22mm)
4	T30-5031	Zinc Plated	-	5/8" (16mm)
4	T30-5032	Stainless Steel	-	5/8" (16mm)
2	T30-5050	Zinc Plated For H.D. Sq.	1/2" (13mm)	3/4" (19mm)
2	T30-5051	Aluminum For H.D. Sq.	1/2" (13mm)	3/4" (19mm)
2	T30-5055	Stainless Steel FOR H.D. Sq.	1/2" (13mm)	3/4" (19mm)
1	T30-9901-UT	Zinc Plated	1/4" (6mm)	7/8" (22mm)





B



REF. A

## THERMAL MASTIC HEAT TRANSFER COMPOUND

- REPLACES\* SOLDER FOR HEAT TRANSMISSION
- STABLE AT ALL WORKING TEMPERATURES
- DOES NOT HARDEN OR LOSE ADHESION AT -50°F (-45°C)
  - WILL NOT FLOW AT 220°F (104°C)
  - FLASHPOINT: 450°F (32°C)

THERMAL MASTIC CAN BE USED WHEREVER RAPID TRANSMISSION IS DESIRED...BETWEEN COILS AND LINERS, BETWEEN LIQUID AND SUCTION LINE HEAT EXCHANGERS.

### THERMAL MASTIC COATING

10.3 oz (305ml) TUBE CARTRIDGE

**MODEL NO. Q77-1000**

1 gal (3.7 lit) CONTAINER

**MODEL NO. Q77-1240**

5 gal (19 lit) CONTAINER

**MODEL NO. Q77-1250**

53 gal (200 lit) CONTAINER

**MODEL NO. Q77-1260**

REF. B

**THERMAL MASTIC CAULKER**  
10.3 oz (305ml) CAULKING GUN  
**MODEL NO. Q99-1000**

REF. C

## FLEXIBLE INSULATING CONDUIT SLEEVE

- **FULL PROTECTION**  
OF ELECTRICAL AND OTHER SUPPLY LINES PASSING THROUGH METAL SKIN REFRIGERATION PANELS
- **CLEAN APPEARANCE**  
PROVIDES A PROFESSIONAL FINISHED LOOK
- **LABOR SAVING**  
ELIMINATES THE NEED FOR COSTLY TAILPIECE ASSEMBLIES AND WELDED JOINTS
- **COMPENSATING FLEXIBLE HEAD**  
FITS ALL PANEL THICKNESSES FROM 2" (51mm) TO 2-1/4" (57mm)
- **PROVIDES A FULL 1-1/4" (32mm) DIAMETER PASS THRU OPENING**  
FOR ALL EXTERNAL SUPPLY LINES

**MODEL NO. R90-1002**

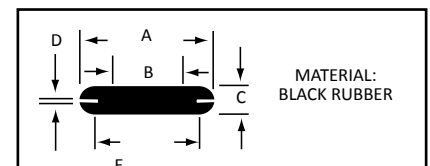
MATERIAL: BLACK PVC  
REQUIRES A 1-5/8" (41mm) CLEARANCE HOLE

REF. D

## RUBBER GROMMETS

### LARGE DIAMETER RUBBER GROMMETS

MODEL NO.	A	B	C	D	E
Q24-0420	1-7/8" (47mm)	1-1/8" (28mm)	3/8" (9mm)	1/16" (1.5mm)	1-1/2" (38mm)
Q24-0520	2-7/8" (73mm)	2-1/8" (54mm)	7/16" (11mm)	1/16" (1.5mm)	2-1/2" (63mm)

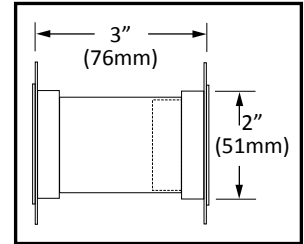




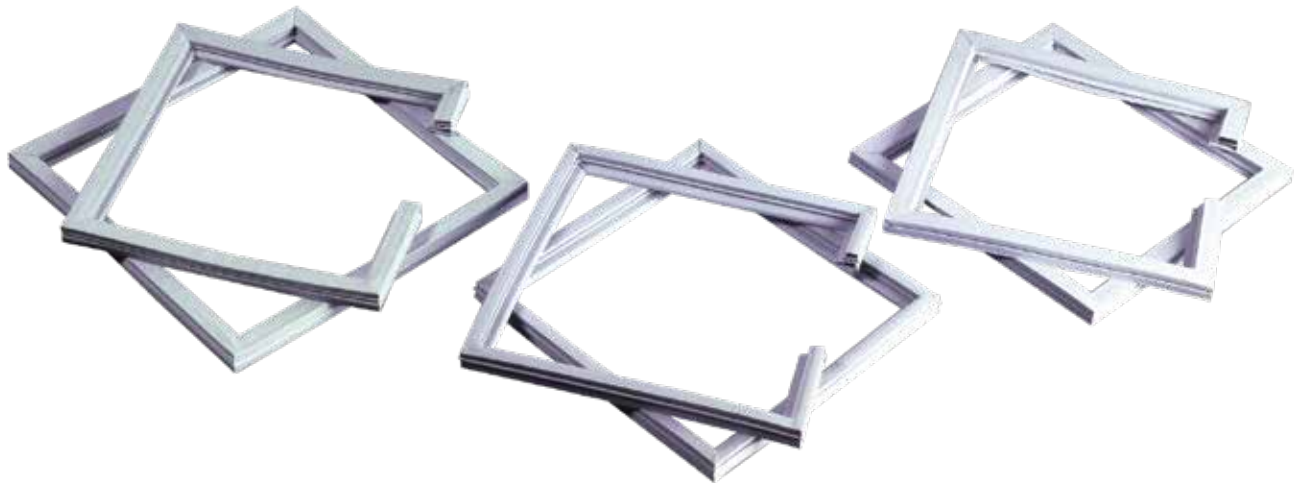


**MICRO-MINI VENT PORT™**  
**PRESSURE RELIEF PORTS FOR REACH-IN COOLERS**  
**MODEL NO. R88-1000**

- DESIGNED FOR 3" WALL THICKNESS
- FAST PRESSURE EQUALIZATION
- CORROSION & VERMIN PROOF
  - INSULATED CONSTRUCTION
    - TWO-WAY AIR FLOW
    - FULL SIZE PORTS
    - 2" (51mm) DIA.

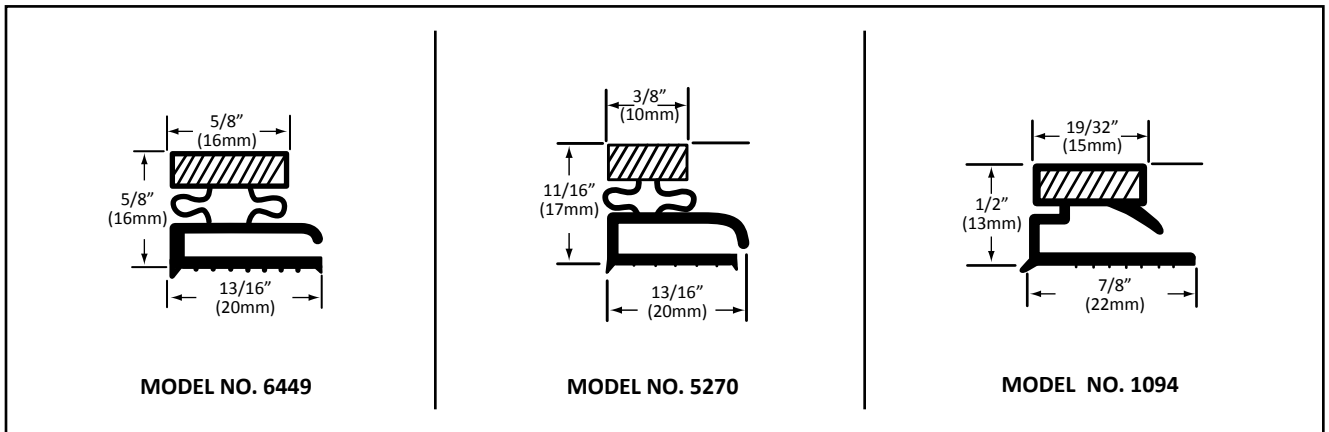


B



**COMPLETE**  
**MAGNETIC GASKET FRAMES**  
**WITH WELDED CORNERS**

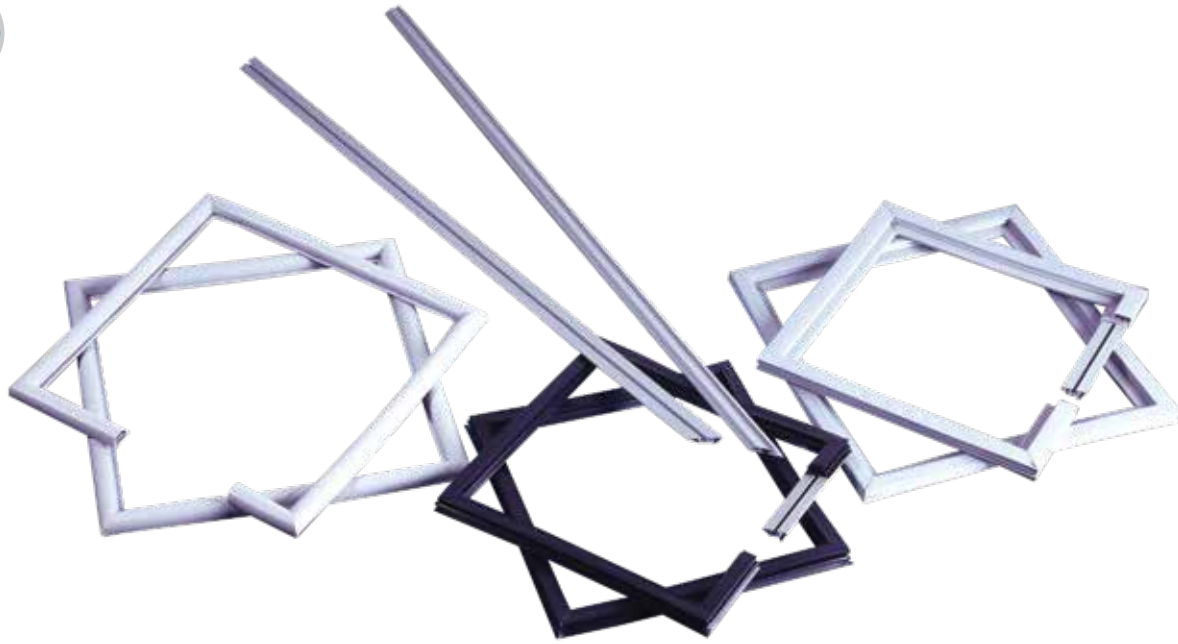
- DURABLE GRAY PVC
- CUSTOM MADE SIZES • NO TOOLING CHARGES
- ECONOMICAL - NO WASTE
- AVAILABLE IN THREE INDUSTRY STANDARD PROFILES



WHEN ORDERING MAGNETIC GASKET FRAMES SPECIFY MODEL NO. AND EXACT OUTSIDE DIMENSIONS OF FRAME  
 NOTE: GASKET FRAMES ARE ALSO AVAILABLE WITH MAGNET ON 3 SIDES, COMPLETE WITH PLUGGED ENDS  
 MINIMUM ORDER 25 FRAMES PER SIZE

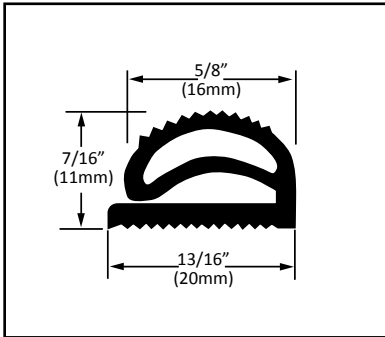


B



## COMPLETE COMPRESSION GASKET FRAMES with WELDED CORNERS

- DURABLE GRAY PVC
- CUSTOM MADE SIZES
- NO TOOLING CHARGE
- ECONOMICAL - NO WASTE



WHEN ORDERING COMPRESSION GASKET FRAMES SPECIFY

**MODEL NO. 5804\***  
AND EXACT OUTSIDE DIMENSIONS

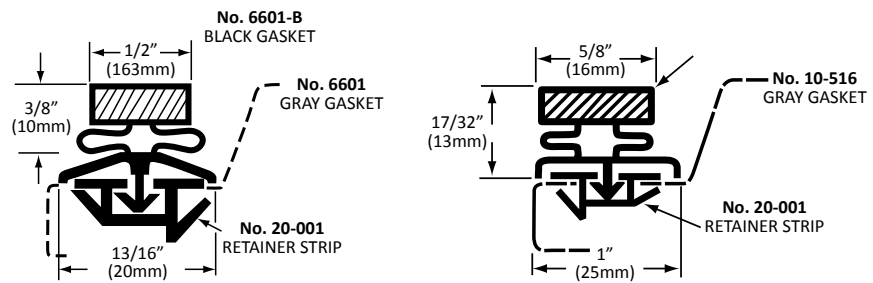
MINIMUM ORDER...  
25 FRAMES PER SIZE

\*UTILIZES T42-3330 GASKET

## SNAP-IN REMOVABLE MAGNETIC GASKET FRAMES and RETAINER STRIP

- FOR FOAMED IN PLACE INSULATION
- FAST INSTALLATION • SNAPS INTO POSITION
- NO SPECIAL TOOLS REQUIRED • NO FASTENERS REQUIRED
- AVAILABLE IN GRAY OR BLACK PVC

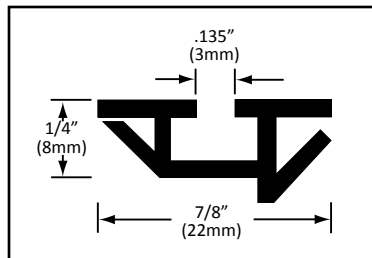
### FURNISHED AS COMPLETE GASKET FRAMES WITH WELDED CORNERS



**MODEL NO. 6601-B & 6601**  
ARE SINGLE DUROMETER GASKET

**MODEL NO. 10-516**  
IS A DUAL DUROMETER GASKET

WHEN ORDERING SNAP-IN MAGNETIC GASKET FRAMES SPECIFY MODEL NO. AND EXACT CENTERLINE DIMENSIONS OF FRAME. MINIMUM ORDER 25 FRAMES PER SIZE. OTHER COLORS AVAILABLE UPON REQUEST.



WHEN ORDERING RETAINER STRIPS SPECIFY

**MODEL NO. 20-001**  
AND LENGTH REQUIRED



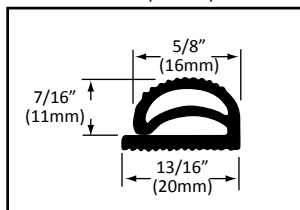
B



## GRAY PVC COMPRESSION GASKET

- GREASE RESISTANT • EASY TO CLEAN
- DURABLE - NO WASTE

**MODEL NO. T42-3330**  
200 FT. (76mm) ROLL



## FLAT BREAKER STRIP

- MATTE GRAY ABS - MAR FREE
- PAPER MASKED ONE SIDE
- WILL NOT ABSORB ODORS
- USDA and FDA APPROVED

MODEL NO.	WIDTH
T54-0937	15/16" (24mm)
T54-1500	1-1/2" (38mm)
T54-1750	1-3/4" (44mm)
T54-2000	2" (51mm)
T54-2250	2-1/4" (57mm)
T54-2750	2-3/4" (70mm)
T54-3000	3" (76mm)

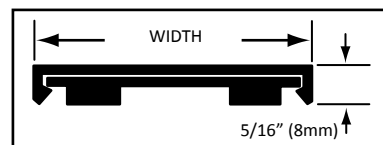
NOTE: FURNISHED IN 6 ft (1830mm) LENGTHS WITH A STANDARD THICKNESS OF .110 (2.8mm). SPECIAL SIZE WIDTHS AVAILABLE ON QUANTITY ORDERS

## EXTRUDED...SNAP-ON BREAKER STRIP

- MATTE GRAY PVC - MAR FREE
- EASILY CUT • ODORLESS
- USDA and FDA APPROVED

### TWO-PIECE SNAP-ON BREAKER STRIP

BOTTOM STRIP HAS 1/8" (3mm) DIA. COUNTERSUNK HOLES EVERY 6" (152mm). ALLOWS FOR FASTENING WITH COUNTERSUNK SCREWS OR STANDARD POP-RIVETS. TOP STRIP SNAPS IN PLACE CONCEALING ALL FASTENERS.



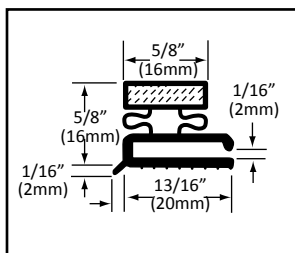
**MODEL NO. T55-20-011**  
2-5/16" (59mm) WIDE

**MODEL NO. T55-20-053**  
2" (51mm) WIDE

FURNISHED IN 6 ft (1830mm) LENGTHS

## MAGNETIC GASKET KITS

- NEUTRAL GRAY PVC
- FULLY WELDED CORNERS
- EASY INSTALLATION
- MINIMIZES INVENTORY

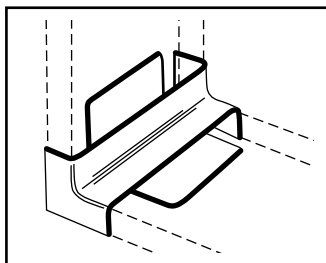


**STRAIGHT KIT**  
**GFK-6449-S**  
24 LENGTHS  
36" (915mm) LG.

**CORNER KIT**  
**GFK-6449-C**  
24 PER BOX  
12 R.H. and 12 L.H.  
12" X 18"  
(305mm x 457mm)

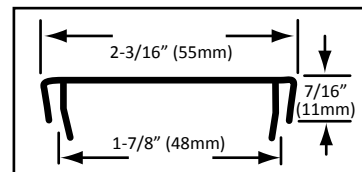
## MOLDED PLASTIC CORNER

FOR USE WITH  
**T55-20-011** (2-5/16" WIDE)  
BREAKER STRIP ONLY. PROVIDES  
FINISHED APPEARANCE



**MODEL NO. T55-0598**  
COLOR: GRAY  
TO MATCH BREAKER STRIP

**ONE PIECE SNAP-ON BREAKER STRIP**  
PROVIDES FAST INSTALLATION. SNAPS OVER SHEET METAL RETURNS, PROVIDES A SMOOTH CLEAN FINISH.



**MODEL NO. T55-20-010**  
2-3/16" (55mm) WIDE  
FURNISHED IN 6 ft (1830mm) LENGTHS

# Order Form For Custom Made Gasket Frames

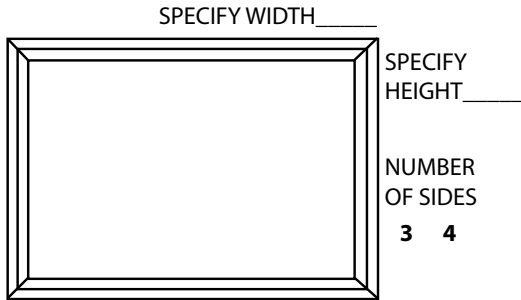
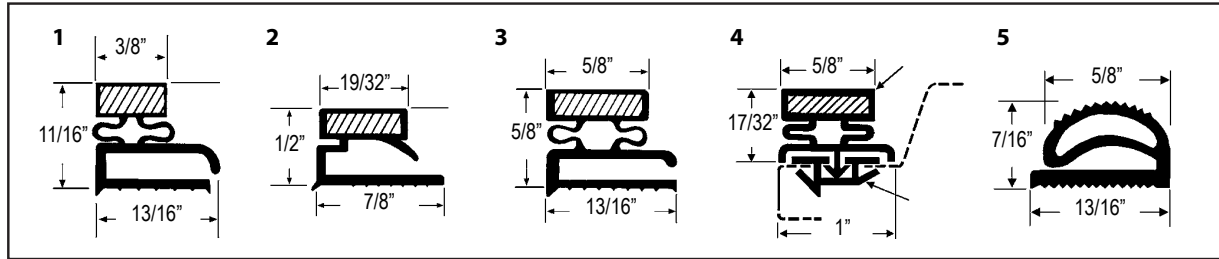


INSTRUCTIONS: Use this order form for all custom made gaskets.  
 Fill out the exact specifications and mail or fax it to us.  
 PLEASE NOTE: Custom made items are not returnable.

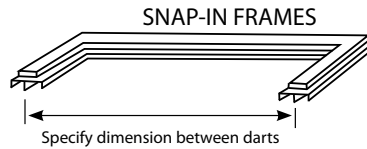
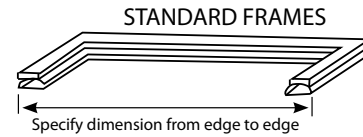
B

## SELECTION CHART

REF.	QTY.	MODEL NO.	TYPE
1	_____	5270	Standard Magnetic
2	_____	1094	Standard Magnetic
3	_____	6449	Standard Magnetic
4	_____	10-516	Snap-in Magnetic
5	_____	5804	Standard Compression



### MEASURING A GASKET FRAME:



### PRE-INSTALLATION TIPS

- Allow replacement gasket to reach room temperature before unfolding.
- Carry gasket by its corners and avoid squeezing folds to prevent breaking the internal magnetic strip.
- Thoroughly clean the area of the door where the gasket attaches, as well as the cabinet perimeter that the gasket face contacts.

### DISTORTIONS

- Our gaskets are made from a vinyl material which can become distorted from folding. The folding is necessary to allow a practical and economically sized shipping parcel.
- The vinyl material retains a "memory" of its original shape so any distortions or kinks will only be temporary.
- Return to the original shape can be accelerated greatly by the application of heat, for example:  
 Immerse gasket in 140°-185°F (60°-85°C) water for 15 to 30 minutes before installing.  
 Apply heat from an electric hair dryer or heat lamp before and after installation. Care must be taken not to overheat and stretch or melt the material when using this method.

COMPANY NAME \_\_\_\_\_ PHONE NO. \_\_\_\_\_  
 ADDRESS \_\_\_\_\_ P.O. NO. \_\_\_\_\_ DATE \_\_\_\_\_  
 AUTHORIZED BY \_\_\_\_\_

Component Hardware Group, Inc.  
 1890 Swarthmore Avenue, PO Box 2020, Lakewood, NJ 08701 • Tel. 800-526-3694 • 732-363-4700 • Fax 732-364-8110



## CUSTOM MADE STANDARD and HEAVY DUTY WIRE SHELVES

- Available in
- STAINLESS STEEL
  - CHROME PLATED STEEL
  - NICKEL PLATED STEEL
  - ZINC PLATED STEEL
  - EPOXY COATED STEEL



INSTRUCTIONS: COPY THIS FORM AND USE TO ORDER ALL CUSTOM MADE WIRE SHELVES.  
FILL IN THE REQUIRED SPECIFICATIONS AND MAIL OR FAX THE FORM TO US.

**PLEASE NOTE: CUSTOM MADE ITEMS ARE NOT RETURNABLE.**

### SELECTION CHART

INDICATE QUANTITY REQUIRED FOR SPECIFIC MODEL

#### STANDARD DUTY WIRE SHELVES

FRAME AND CROSSBAR SUPPORT: 5/16" DIA. WIRE  
CROSS WIRES: 1/8" DIA, ON 3/4" SPACING

QTY	MODEL NO.	MATERIAL
_____	T50-4501	ZINC PLATED STEEL
_____	T50-4502	NICKEL PLATED STEEL
_____	T50-4503	CHROME PLATED STEEL
_____	T50-4504	EPOXY COATED STEEL Circle: Grey, Green, White or Chrome
_____	T50-4505	STAINLESS STEEL

#### HEAVY DUTY WIRE SHELVES

FRAME AND CROSSBAR SUPPORT: 3/8" DIA. WIRE  
CROSS WIRES: 3/16" DIA. ON 3/4" SPACING

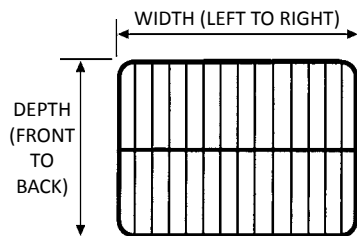
QTY	MODEL NO.	MATERIAL
_____	T50-5501	ZINC PLATED STEEL
_____	T50-5502	NICKEL PLATED STEEL
_____	T50-5503	CHROME PLATED STEEL
_____	T50-5504	EPOXY COATED STEEL Circle: Grey, Green, White or Chrome
_____	T50-5505	STAINLESS STEEL

### SIZE REQUIREMENTS

INDICATE OVERALL WIDTH AND DEPTH

SPECIFY WIDTH \_\_\_\_\_ (LEFT TO RIGHT)

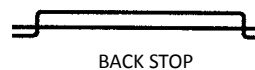
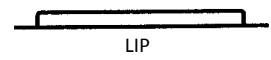
SPECIFY DEPTH \_\_\_\_\_ (FRONT TO BACK)



### OPTIONS

PLEASE ATTACH A DETAILED DRAWING

- CUT OUTS...INDICATE LOCATION, SHAPE AND SIZE
  - 1/2" OR 1" CROSSWIRE SPACING
  - EXTRA SUPPORT BAR



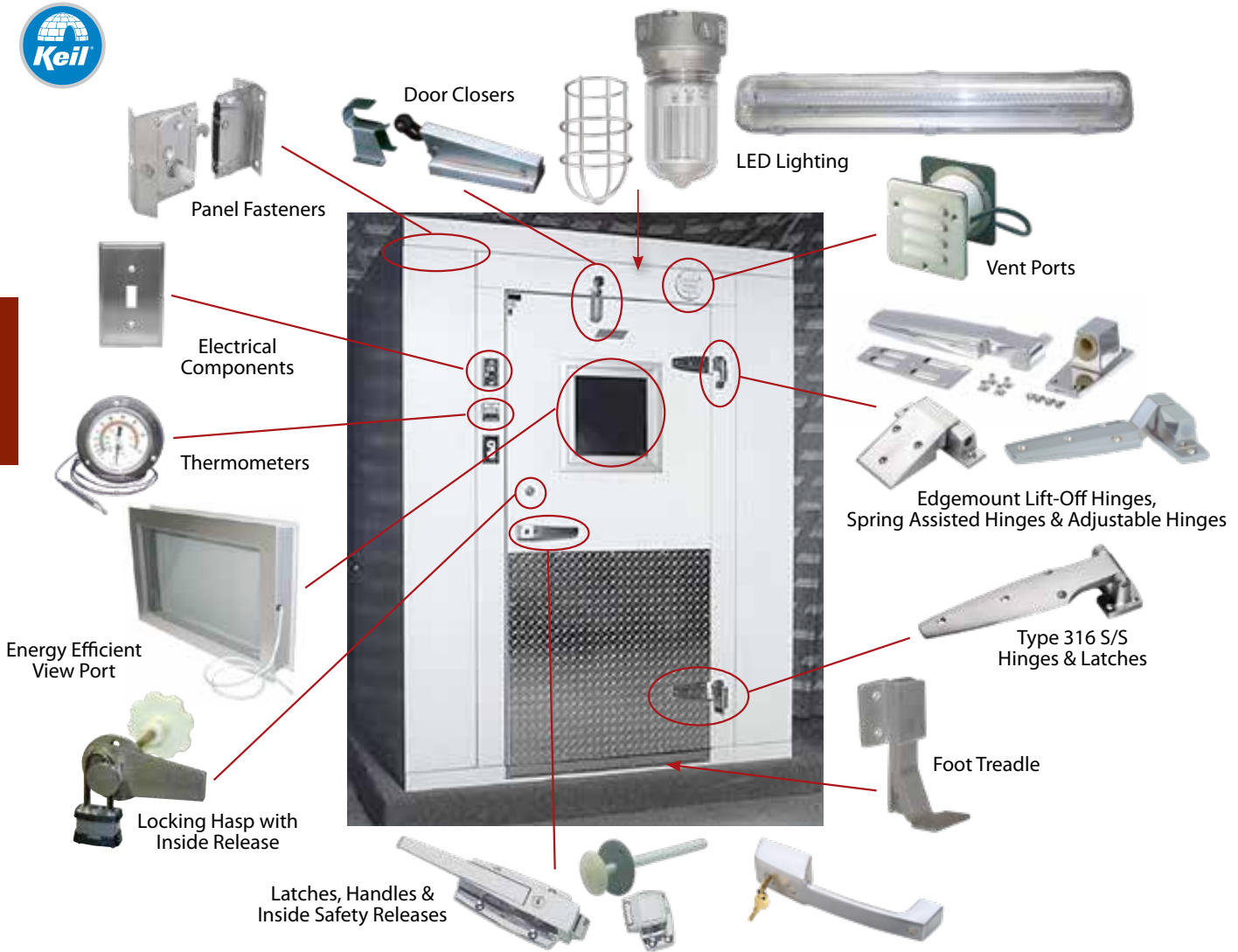
COMPANY NAME \_\_\_\_\_  
ADDRESS \_\_\_\_\_

PHONE NO. \_\_\_\_\_  
P.O. NO. \_\_\_\_\_ DATE \_\_\_\_\_  
AUTHORIZED BY \_\_\_\_\_

Component Hardware Group, Inc.  
1890 Swarthmore Avenue, PO Box 2020, Lakewood, NJ 08701 • Tel. 800-526-3694 • 732-363-4700 • Fax 732-364-8110



# WALK-IN REFRIGERATION



HINGE SELECTOR GUIDE & CHART	C69	HEAVY-DUTY ADJUSTABLE WALK-IN DOOR HINGES	C82
WALK-IN COOLER DOOR PULL HANDLES	C70	DOOR CLOSERS FOR WALK-IN REFRIGERATORS AND FREEZERS	C83-C85
WALK-IN COOLER DOOR SAFETY LATCHES	C71	THERMOMETERS	C86
HEAVY-DUTY WALK-IN DOOR SAFETY LATCHES	C72	PRESSURE RELIEF MPORT FOR SQUARE CUT OUT	C87
INSIDE SAFETY RELEASES	C73-C74	PRESSURE RELIEF MPORT FOR ROUND CUT OUT	C88
SOLID STAINLESS STEEL INVESTMENT CAST HINGES	C75	WINDOW VIEW PORT	C89
SOLID STAINLESS STEEL INVESTMENT CAST LATCHES	C76	FIP PANEL FASTENERS	C90-C91
HARDWARE FOR OUTDOOR STRUCTURES	C77	SLAB FOAM PANEL FASTENERS	C92-C93
WALK-IN DOOR HINGES	C78	RIGID RAIL PANEL FASTENERS	C94-C95
POWER SPRING CONVERSION CARTRIDGE KIT	C79	ACCESORIES FOR WALK-IN REFRIGERATION & FREEZERS	C96
HEAVY-DUTY WALK-IN DOOR HINGES	C80		
HEAVY-DUTY NON-ADJUSTABLE WALK-IN DOOR HINGES	C81		

For Lighting Components, please see Lighting & Electrical on pages D97- D115

## COMPONENT HARDWARE HINGE SELECTOR GUIDE

This hinge selector is designed to assist you in choosing the correct Component Hardware hinges for commercial reach-in and walk-in refrigeration, foodservice equipment, transportation, industrial and other applications. The Load Chart below shows our recommended allowable load per pair of hinges for each hinge group.

The data supplied in this chart applies for normal operating conditions under static loading by door weight only. Other factors, such as positive or negative pressure, high gasket compression, lateral stress, corrosive or abrasive environments, or structural movement are not taken into account. It is the ultimate responsibility of the user to determine the suitability and capacity required for their specific application.

### HOW TO USE THIS CHART

1. Locate the weight of your door in the far left column, headed **DOOR WEIGHT**.
2. Find the width of your door along the bottom of the chart.
3. Where the weight line and width column intersect, find the recommended hinge group code (A, B, etc.)
4. Select your hinges from the Component Hardware® hinge groups below.

NOTE: If exact dimensions and weight for your door is not shown, use the next higher width and weight.

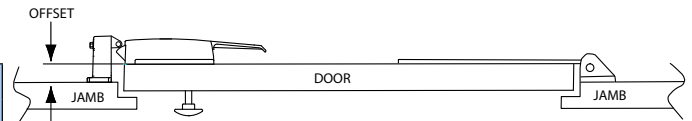
Hinge Groups A-C Shown in REACH-IN, Section E  
Hinge Groups D-J Shown in WALK-IN, Section EE

### COMPONENT HARDWARE HINGE GROUPS

GROUP	HINGE MODEL NUMBERS
A	R20-1010, R20-1020, R45-1010, R40-1010, R42-2840, R42-2841, R42-2842, R42-2843, R42-2842-BR
B	R42-2000, R42-2855, R56 SERIES
C	R50-2850, R50-2850-SPO, R50-2850-BLK, R50-2850-SS, R50-2850-NL, R50-2850-BA, R51-2000, R51-2000-RS, R51-2000-CS
D	W58, W59, W60, W61 SERIES, W99-6015-SS, W99-4100-SSRH, W99-4100-SSLH, W55-1000, W56-1000
E	N/A
F	W99-2001, W99-2001-GE, W99-2063, W99-2063-G6, W77-1625
G	N/A
H	N/A
J	N/A

### HOW TO DETERMINE OFFSET FOR HINGES AND LATCHES

With door closed, measure the distance from the jamb to the door face.



DOOR WEIGHTS		LOAD CHART																				
kg.	lb.																					
226.8	500	D	D	E	F	F	F	G	G	G	G	H	H	H	H	H	H	H	J	J	J	J
217.7	480	D	D	E	F	F	F	G	G	G	G	H	H	H	H	H	H	H	J	J	J	J
208.6	460	D	D	E	E	F	F	F	G	G	G	G	H	H	H	H	H	H	J	J	J	J
199.5	440	D	D	D	E	F	F	F	G	G	G	G	G	H	H	H	H	H	H	J	J	J
190.5	420	D	D	D	E	F	F	F	F	G	G	G	G	H	H	H	H	H	H	H	H	J
181.4	400	D	D	D	E	E	F	F	F	G	G	G	G	G	H	H	H	H	H	H	H	H
172.4	380	D	D	D	D	E	F	F	F	F	G	G	G	G	G	H	H	H	H	H	H	H
163.3	360	D	D	D	D	E	E	F	F	F	G	G	G	G	G	G	H	H	H	H	H	H
154.2	340	D	D	D	D	E	E	F	F	F	F	G	G	G	G	G	G	H	H	H	H	H
145.2	320	C	D	D	D	D	E	E	F	F	F	F	G	G	G	G	G	G	H	H	H	H
136.1	300	C	D	D	D	D	D	E	E	F	F	F	F	F	G	G	G	G	G	G	G	H
127.0	280	C	D	D	D	D	D	E	E	F	F	F	F	F	G	G	G	G	G	G	G	H
117.9	260	C	C	D	D	D	D	D	E	E	F	F	F	F	F	G	G	G	G	G	G	G
108.9	240	C	C	D	D	D	D	D	D	E	E	F	F	F	F	F	F	G	G	G	G	G
99.8	220	C	C	C	D	D	D	D	D	D	E	E	E	F	F	F	F	F	F	G	G	G
90.7	200	B	C	C	D	D	D	D	D	D	D	E	E	E	F	F	F	F	F	F	F	G
81.7	180	B	C	C	C	D	D	D	D	D	D	D	E	E	E	E	F	F	F	F	F	F
72.6	160	B	B	C	C	C	D	D	D	D	D	D	D	D	E	E	E	E	F	F	F	F
63.5	140	B	B	C	C	C	C	D	D	D	D	D	D	D	D	D	D	E	E	E	E	F
54.4	120	B	B	B	C	C	C	C	C	D	D	D	D	D	D	D	D	D	D	D	E	E
45.4	100	A	B	B	B	B	C	C	C	C	C	D	D	D	D	D	D	D	D	D	D	D
36.3	80	A	A	B	B	B	B	B	C	C	C	C	C	C	D	D	D	D	D	D	D	D
27.2	60	A	A	A	A	B	B	B	B	B	B	C	C	C	C	C	C	C	C	C	D	D
18.1	40	A	A	A	A	A	A	A	A	B	B	B	B	B	B	B	B	B	C	C	C	C
9.0	20	A	A	A	A	A	A	A	A	A	A	A	A	A	A	A	A	A	A	A	A	B
DOOR WIDTH	in.	12	15	18	21	24	27	30	33	36	39	42	45	48	51	54	57	60	63	66	69	72
	cm.	30.5	38.1	45.7	53.3	61.0	68.6	76.2	83.8	91.4	99.1	106.7	114.3	121.9	129.5	137.2	144.8	152.4	160.0	167.6	175.3	182.9

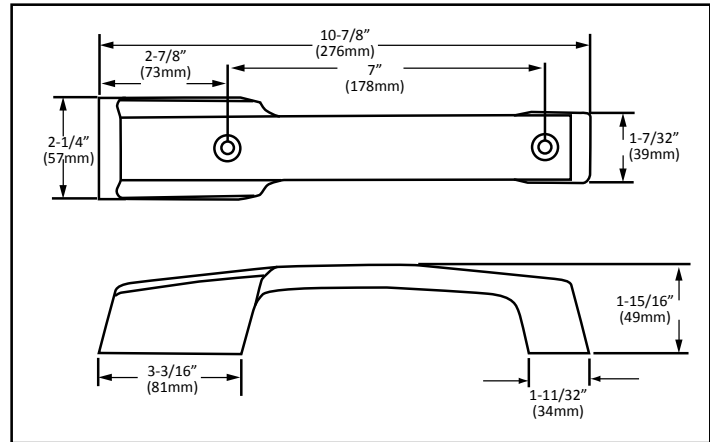
# Walk-In Cooler Door Pull Handles



## W29 SERIES DOOR PULL HANDLES

- Heavy-duty high pressure zinc die-casting
- Satin chrome finish will not show fingerprints
- Polished chrome finish available
- Ergonomic design offers comfortable and easy door opening
- Non-handed-reversible feature for right or left hand swinging doors
- Concealed tamper-resistant mounting
- Ideal for all magnetic framed doors

MODEL NO.	DESCRIPTION	FINISH
W29-1000X	Without Cylinder	Satin Chrome
W29-2000 (not shown)	Without Cylinder	Polished Chrome

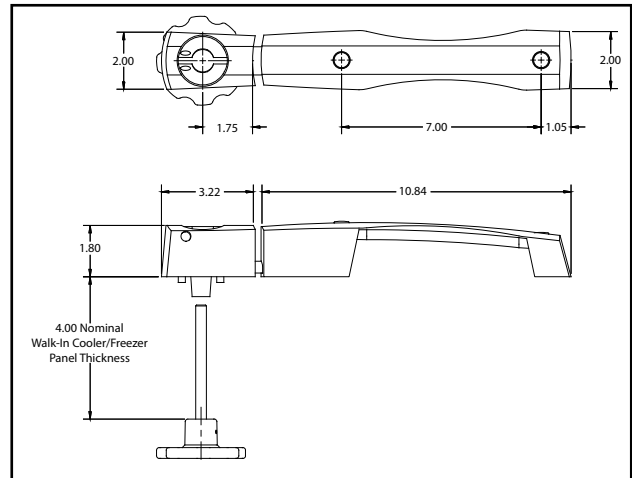


## W30 SERIES HEAVY DUTY DOOR PULL

- Non-handed-reversible design fits right or left hand swinging doors
- Heavy-duty high pressure zinc die-cast construction
- Satin chrome finish will not show fingerprints
- Available in polished or satin chrome finishes
- Ergonomic design offers comfortable and easy door opening
- Concealed tamper-resistant mounting
- Ideal for all magnetic framed doors
- Locking models include inside safety release and unique padlock feature
- Safety release sized for 4" thick panel (other sizes available upon request)
- Styling coordinated with Component Hardware W59 Series door hinges

MODEL NO.	DESCRIPTION	FINISH
W30-1000-L*	With Lock	Satin Chrome
W30-2000-L*	With Lock	Polished Chrome

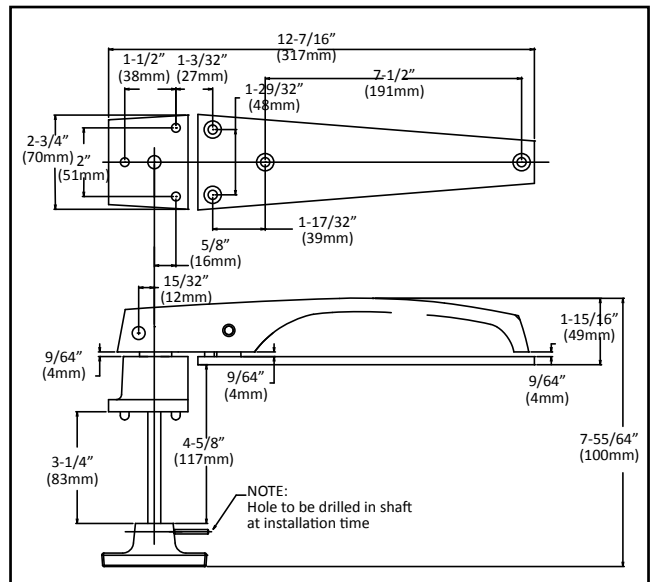
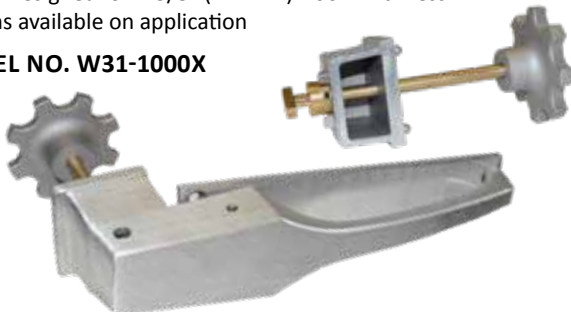
\*NOTE: Non-Stock Item – 504 PC MOQ



## W31 SERIES MAGNETIC DOOR BREAKER-ACTION HANDLE

- For Refrigeration Doors with Magnetic Gaskets
  - Aluminum Sand Cast Construction
  - Breaker Action Promotes Easy Door Opening
  - Satin Finish
  - Accepts Padlock
  - Complete with Inside Safety Release
  - For Doors with 1-3/8" (35mm) Offset
  - Inside Release Designed for 4-5/8" (117mm) Door Thickness\*
- \* Other lengths available on application

MODEL NO. W31-1000X

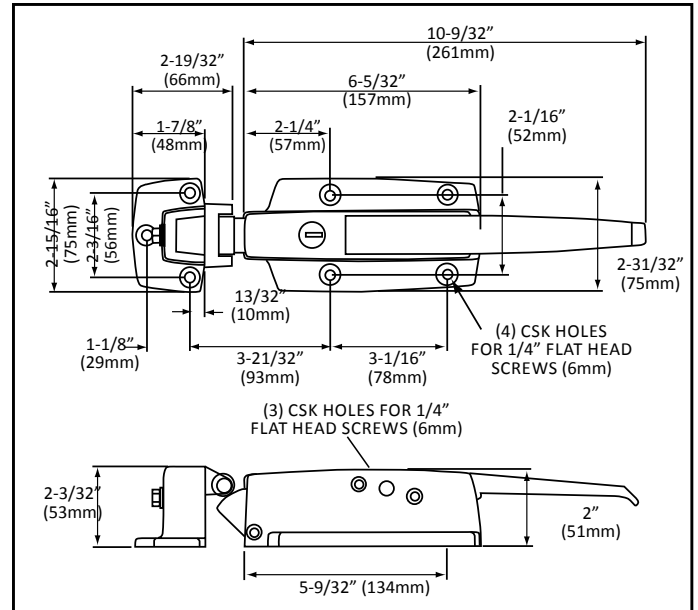


REPLACES\* STANDARD KEIL (#2820 & 9180) AND DENT (D-83) WITH COMPONENT HARDWARE QUALITY HARDWARE



## W19 SERIES SAFETY LATCHES DESIGNED ESPECIALLY FOR WALK-IN REFRIGERATORS AND FREEZERS

• AVAILABLE IN POLISHED CHROME OR SATIN CHROME FINISH



**HEAVY- DUTY CONSTRUCTION...** to provide the impact resistance required in heavy traffic areas. The latch body is constructed of reinforced die cast Zamak and furnished with a solid handle. All inner working parts and back plate are manufactured of solid stainless steel, unlike competitors models that can rust and leave unsightly stains on doors.

**TAMPER PROOF DESIGN...** eliminates pilferage of costly food stocks. Bolt cannot be retracted from the outside when latch is cylinder locked or padlocked. Yet with safety inside release mechanism occupants can safely exit even if latch is locked or padlocked.

**FRICTION FREE OPERATION...** provided by utilizing roller bolt retraction combined with roller strike action. Eliminates wear and allows doors to close smoothly and easily without slamming, while offering superb gasket compression.

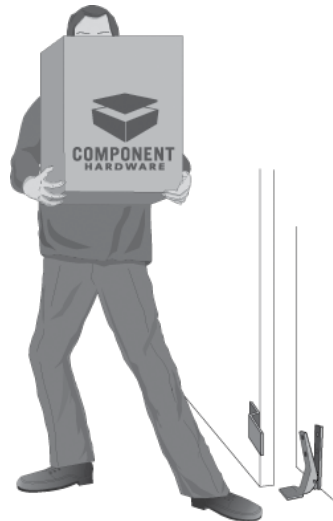
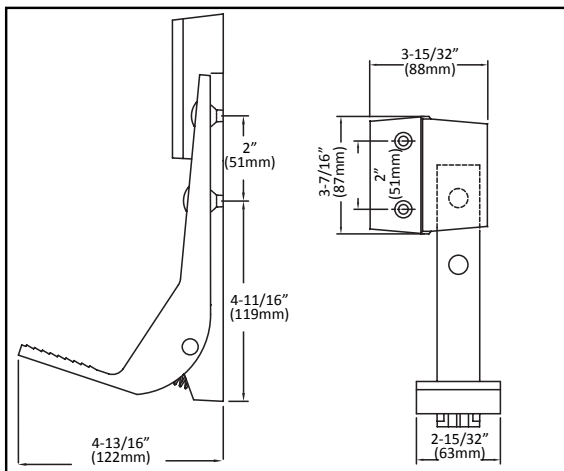
**EASY LIFT HANDLE...** user friendly requires minimal hand pressure to completely retract bolt from strike. Low 1-1/2" (38mm) handle rise eliminates tugging and wrist twisting.

**EASILY ADJUSTED STRIKE ASSEMBLY...** offers variable offset adjustment permitting field adjustment for door gasket wear.

MODEL NO.	DESCRIPTION	FINISH	OFFSET
W19-1000	No Cylinder Lock	Polished Chrome	
W19-1000-C	With Cylinder Lock	Polished Chrome	-1/8" TO 3/8"
W19-1000-SN	No Cylinder Lock	Satin Chrome	(-3mm TO 10mm)
W19-1000-C-SN	With Cylinder Lock	Satin Chrome	
W19-1500	No Cylinder Lock	Polished Chrome	3/4" TO 1-5/8"
W19-1500-C	With Cylinder Lock	Polished Chrome	(19mm TO 41mm)
W19-2000	No Cylinder Lock	Polished Chrome	1-5/8" TO 2-1/2"
W19-2000-C	With Cylinder Lock	Polished Chrome	(41mm TO 64mm)

## FOOT TREADLE

For Safe & Convenient Hands-Free Door Operation



- Non-skid pedal surface
- Stainless Steel pin and low friction bearings
- Reversible for right or left hand door swing
- Length—7-3/4" (197mm)
- Material—Aluminum
- Brushed Aluminum Finish
- Offset—Flush
- Screw Holes—1/4" (6mm) Hole, 82° Countersunk



MODEL NO. W50-1000

REPLACES\* STANDARD KEIL (#2890 & 9183) AND DENT (D-82) WITH COMPONENT HARDWARE QUALITY HARDWARE

# Heavy-Duty Walk-In Door Safety Latches



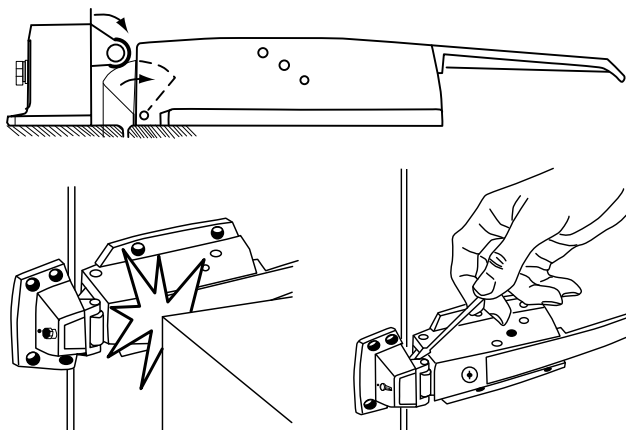
## W38 SERIES SAFETY LATCHES DESIGNED ESPECIALLY FOR WALK-IN REFRIGERATORS AND FREEZERS

- AVAILABLE IN POLISHED CHROME OR SATIN CHROME FINISH



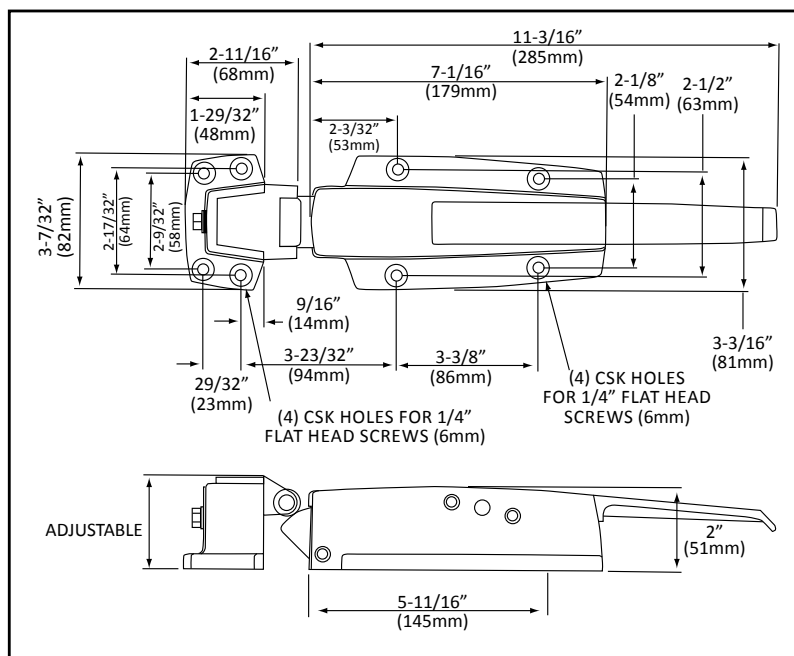
**SUPER HEAVY-DUTY CONSTRUCTION...** and large body profile latch is designed to withstand the most rigorous of commercial kitchen or cold room environments. Latch handle is produced of lifetime **SOLID FORGED BRASS** construction. All inner working parts and back plate are manufactured of solid stainless steel which provide a rugged, smooth and rust-free operation.

- EASY LIFT HANDLE
- HEAVY- DUTY CONSTRUCTION
- FRICTION-FREE OPERATION
- EASILY ADJUSTED STRIKE ASSEMBLY
- TAMPER PROOF DESIGN



MODEL NO.	DESCRIPTION	FINISH	OFFSET
W38-1000	No Cylinder Lock	Polished Chrome	
W38-1000-C	With Cylinder Lock	Polished Chrome	-1/8" TO 3/8"
W38-1000-SN	No Cylinder Lock	Satin Chrome	(-3mm TO 10mm)
W38-1000-C-SN*	With Cylinder Lock	Satin Chrome	
W38-1500	No Cylinder Lock	Polished Chrome	
W38-1500-C	With Cylinder Lock	Polished Chrome	3/4" TO 1-5/8"
W38-1500-SN	No Cylinder Lock	Satin Chrome	(19mm TO 41mm)
W38-1500-C-SN*	With Cylinder Lock	Satin Chrome	
W38-2000	No Cylinder Lock	Polished Chrome	1-5/8" TO 2-1/2"
W38-2000-C	With Cylinder Lock	Polished Chrome	(41mm TO 64mm)

\*NOTE: Non-stock item







## W28 SERIES INSIDE SAFETY RELEASES FOR RECESSED MOUNT

- surface mount and flush mount styles are available
- **Glow-in-the-dark knob** meets all industry safety standards
- Durable **solid fiberglass reinforced polyester** pushrod provides years of smooth, safe, frost-free operation and eliminates conductivity of cold air
- Short Stroke engineering provides **immediate inside release** even if latch is cylinder locked, padlocked or both
- **Recessed design** protects knob from exposure to traffic of heavy crates, hand trucks and loading vehicles
- **ALL standard door thicknesses** are available

### SPECIFICATIONS

**KNOB:** GLOW-IN-THE-DARK SAFETY GREEN THERMOPLASTIC

**FLANGE:** GREY THERMOPLASTIC

**PUSH ROD:** NON-CONDUCTIVE FIBERGLASS REINFORCED POLYESTER

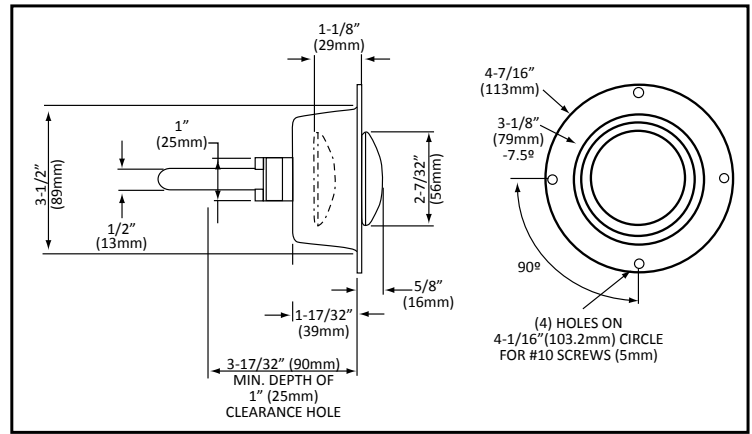
NOTE: INSIDE RELEASES MUST BE ORDERED SEPARATELY

#### RECESSED MOUNT

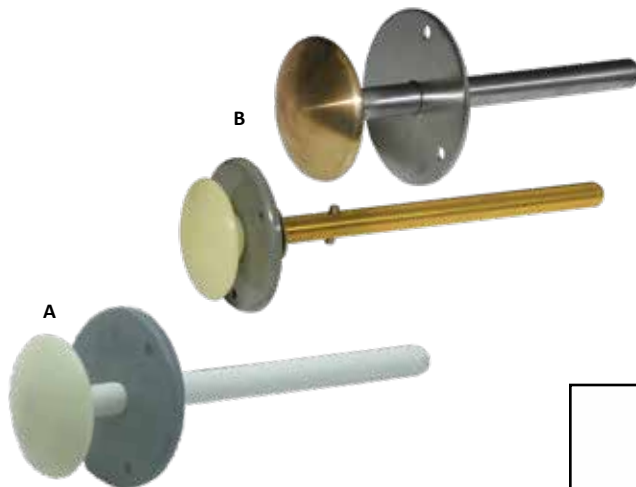
MODEL NO.	DOOR THICKNESS
W28-3400X	4" (102mm)
W28-3800X	8" (203mm)



ADDITIONAL ROD SIZES FOR VARYING DOOR THICKNESSES AVAILABLE ON APPLICATION



## W28 SERIES INSIDE SAFETY RELEASES FOR SURFACE MOUNT



REF. A

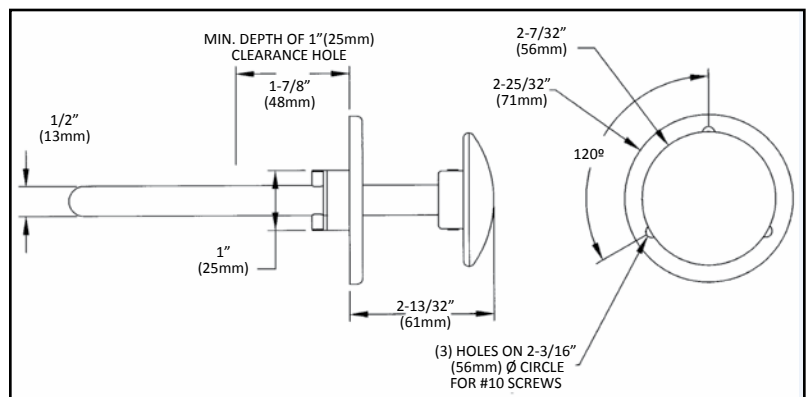
#### SURFACE MOUNT

MODEL NO.	DOOR THICKNESS
W28-2325X	3-1/4" (83mm)
W28-2400X	4" (102mm)
W28-2600X	6" (152mm)
W28-2800X	8" (203mm)

REF. B

#### STAINLESS STEEL INSIDE RELEASES AND BRASS RODS (SPECIAL ORDER)

MODEL NO.	DESCRIPTION
W28-2400-SSX	S/S Rod For 4" (102mm) Wall With Brass Knob
W28-2300-SSX	S/S Rod For 3" (76mm) Wall With Brass Knob
W28-2605	Brass Rod For 6" (152mm) Wall





## PANIC BAR W/INSIDE SAFETY RELEASE

**MODEL NO. W28-1000**

FOR 3" DOOR

**MODEL NO. W28-1200**

FOR 4" DOOR



- Sturdy aluminum construction
- Glow-in-the-dark reflective strip
- For use with Component Hardware W19, W38 and W99 Series refrigeration safety latches
- Glow-in-the-dark reflective strip
- Reversible for left and right hand door applications
- Sturdy aluminum construction
- Supplied with stainless steel push rod

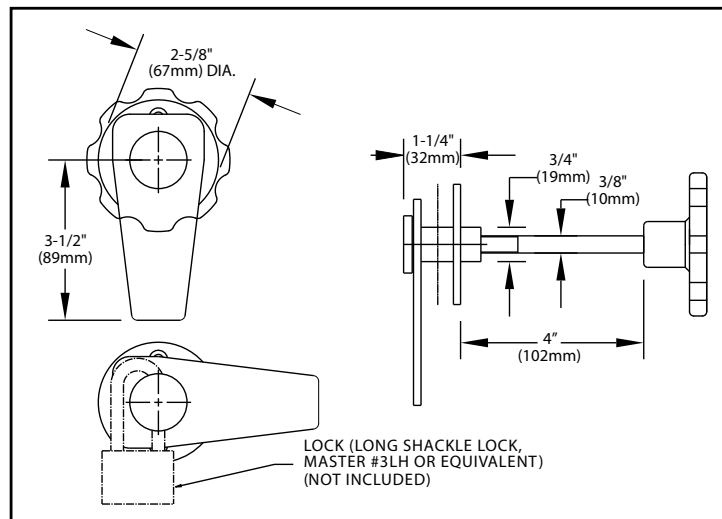
## PADLOCK HASP WITH INSIDE SAFETY RELEASE

**MODEL NO. W29-5000-4X**

- For 4" (102mm) wall and flush door
- External parts are 300 series stainless steel with satin finish
- Plate can be locked in lock/open as well as locked/closed position
- Concealed mounting holes utilize #10 or #12 flat head screw
- Plastic glow in the dark inside release knob on solid brass rod

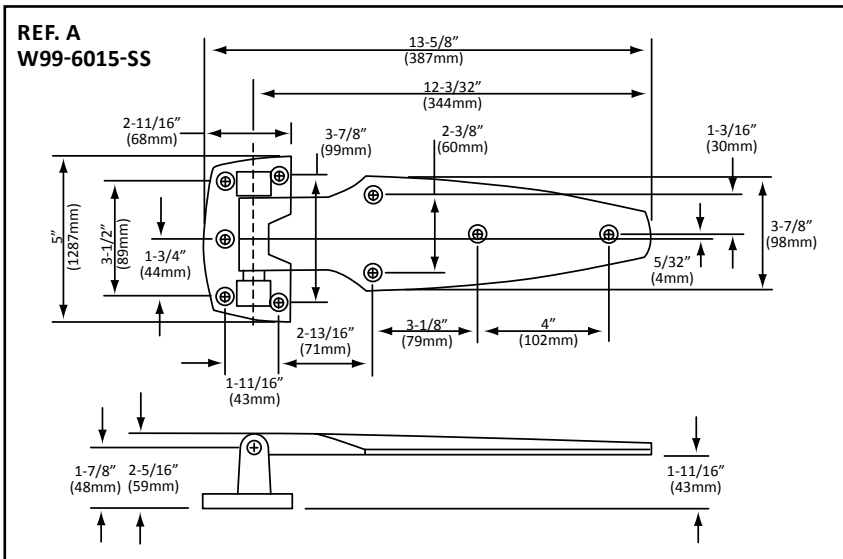


Simple padlocking hasp secures any walk-in cooler or freezer door.

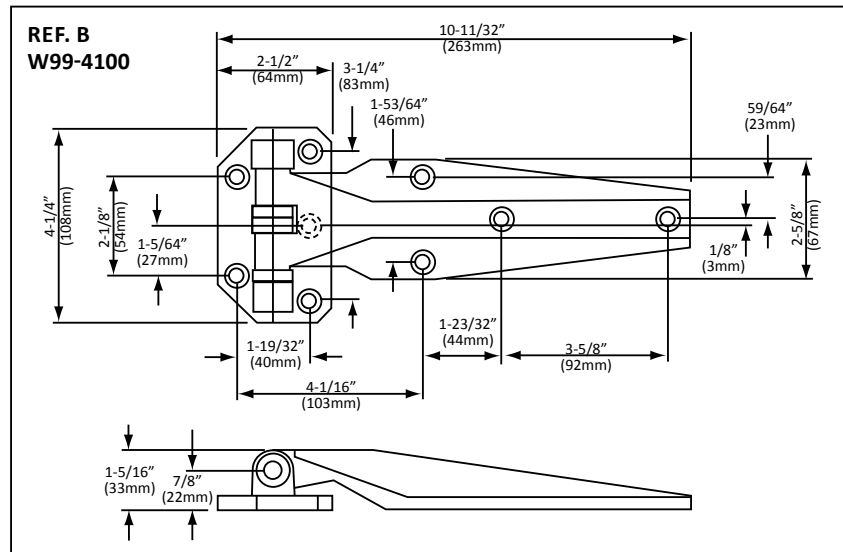




## W99 SERIES INVESTMENT CAST HINGES



- The **ONLY ALL STAINLESS HINGE** available in today's market
- Field Reversible
- Solid stainless steel construction throughout
- Ideal for highly corrosive and humid environments
- Ideal for marine applications, outside cold rooms and commercial refrigerated truck bodies
- Rugged heavy-duty lifetime construction
- Tamper-proof design



MODEL NO.	DESCRIPTION
W99-6015-SS	1-5/8" (41mm) Offset
W99-4100-SSRH	Right Hand Flush
W99-4100-SSLH	Left Hand Flush

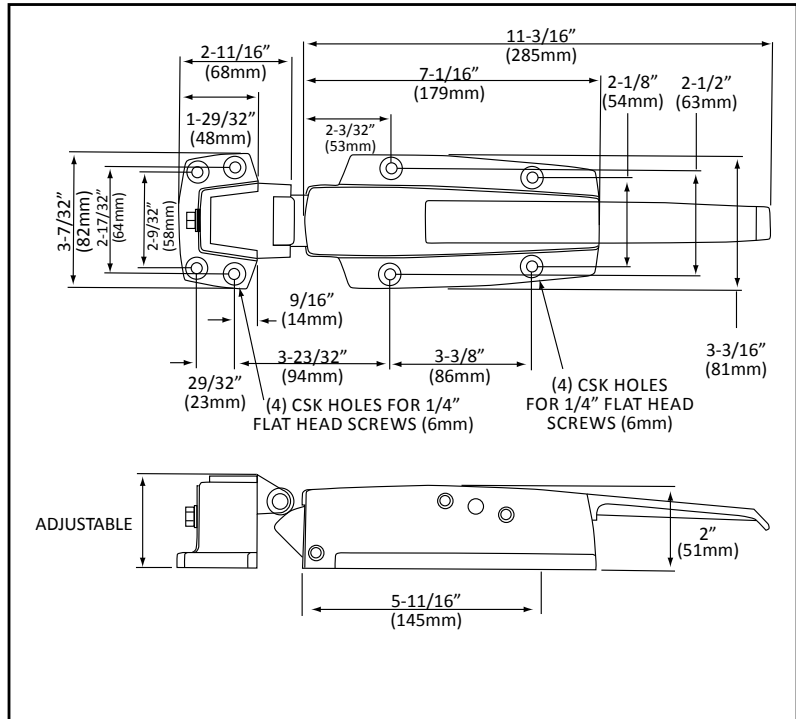
W99-4100 REPLACES DENT (D1P) WITH COMPONENT HARDWARE QUALITY HARDWARE

# Solid Stainless Steel Investment Cast Latches

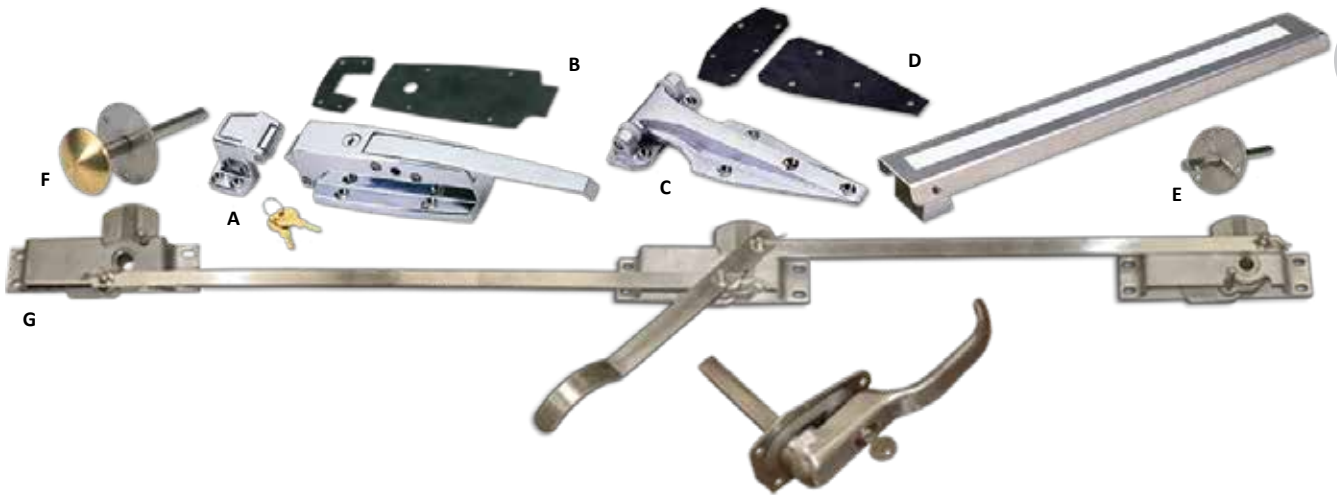


## W99 SERIES INVESTMENT CAST SAFETY LATCHES

- The **only ALL Stainless latch** available in today's market
- Solid stainless steel construction throughout
- Ideal for highly corrosive and humid environments
- Ideal for marine applications, outside cold rooms and commercial refrigerated truck bodies
- Rugged heavy-duty lifetime construction
- Tamper-proof design
- Padlock feature on all latches for maximum security
- Cylinder lock model also available



MODEL NO.	DESCRIPTION
W99-3800-SS	Flush To 3/8" Offset
W99-3800-SS-C	Latch With Lock
W99-3815-SS	3/4" TO 1-5/8" Offset
W99-3815-SS-C	Latch With Lock
W99-3820-SS	1-5/8" To 2-1/2" Offset



## SPECIALTY HARDWARE FOR OUTDOOR APPLICATION

• IDEAL FOR HIGHLY CORROSIVE AND HUMID ENVIRONMENTS • IDEAL FOR MARINE APPLICATIONS, OUTSIDE COLD ROOMS AND COMMERCIAL REFRIGERATED TRUCK BODIES • RUGGED HEAVY-DUTY LIFETIME CONSTRUCTION • TAMPER-PROOF DESIGNS

### ALSO AVAILABLE AS COMPLETE ASSEMBLIES:

REF.	MODEL NO.	DESCRIPTION
A	W38-1000-C	Latch And Strike
B	W99-0100-L	Latch Gasket
C	W99-2001	Hinge, Chrome Plated Brass, Flush w/Bronze Bushings
Not Shown	W99-2063	Hinge, Chrome Plated Brass, 5/8" Offset w/Bronze Bushings
D	W99-0100-H	Hinge Gasket
E	W28-1000	Panic Bar W/Inside Release
F	W28-2300-SSX	Stainless Steel Inside Release For 3" (76 mm) Door Thickness
G	W37-3000-SS*	Stainless Steel Three Point Latch

\*NOT NSF LISTED

<b>W38-1000-C-GE</b>	Walk-In Latch Kit Includes Flush Mount Polished Chrome Latch w/Cylinder Lock, Gasket Set & S/S Inside Release for 3" door thickness
<b>W38-1600LSSGE</b>	Walk-In Latch Kit Includes Flush Mount S/S Latch w/Cylinder Lock, Gasket Set & Inside Release
<b>W38-4216LSSGE</b>	Walk-In Latch Kit Includes 2.43" Offset S/S Latch w/Cylinder Lock, Gasket Set & S/S Inside Release
<b>W38-6000-C-GE</b>	Walk-In Latch Kit Includes Flush Mount Polished Chrome Latch w/Cylinder Lock, Gasket Set & Panic Bar Inside Release
<b>W99-2001-GE</b>	Hinge Kit Chrome Plated Brass, Flush Mount, Gaskets Included w/Bronze Bushings
<b>W99-2063-GE</b>	Hinge Kit Chrome Plated Brass, 5/8" Offset, Includes Gaskets w/Bronze Bushings

### W38 SERIES HEAVY-DUTY WALK-IN DOOR SAFETY LATCHES

• Available in polished chrome or satin chrome finish • Super heavy-duty construction and large body profile latch designed to withstand the most rigorous conditions • Handle is solid forged brass, inner working parts and back plate are solid stainless steel for smooth and rust-free operation

### W99 SERIES HEAVY-DUTY HINGE

• Available in chrome plated brass • Available in flush or 5/8" (16mm) offset • Heavy-duty construction to withstand rigorous conditions • Models available with OILITE® bronze bushings for added strength & durability

### W28 SERIES STAINLESS STEEL INSIDE RELEASE W28-1000 PANIC BAR W/INSIDE RELEASE

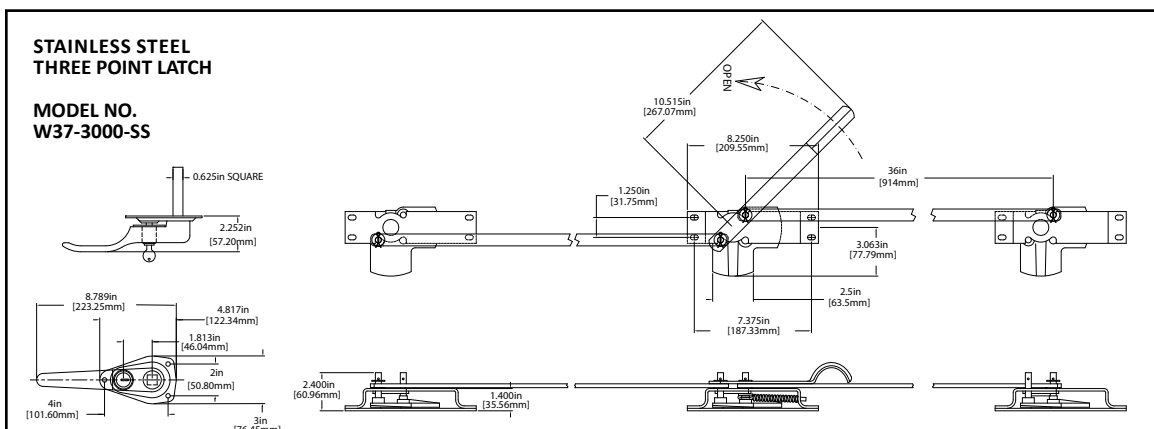
• Sturdy aluminum construction • Glow-in-the-dark reflective strip

### W28-2300-SSX STAINLESS STEEL INSIDE RELEASE

• For 3" (76 mm) door thickness • Additional sizes for varying door thicknesses available on application

### W37-3000-SS STAINLESS STEEL THREE POINT LATCH

• Positive dead bolt locking • Holds door closed in 3 places—top, center & bottom to minimize leakage and save energy • Strongest latch made • Spring loaded over-center latching • Positive inside release mechanism







## W60 SERIES LIFT-OFF HINGE WITH CAM RISE ACTION

### LONG STRAP POLISHED CHROME FINISH

MODEL NO.	OFFSET
W60-1000	Flush
W60-1012	1/8" (3mm)
W60-1025	1/4" (6mm)
W60-1037	3/8" (10mm)
W60-1112	1-1/8" (29mm)
W60-1125	1-1/4" (32mm)
W60-1137	1-3/8" (35mm)
W60-1150	1-1/2" (38mm)
W60-1162	1-5/8" (41mm)
W60-1175	1-3/4" (45mm)
W60-1187	1-7/8" (48mm)
W60-1200	2" (51mm)

REPLACES STANDARD KEIL #2860  
WITH COMPONENT HARDWARE QUALITY HARDWARE

### LONG STRAP SATIN CHROME FINISH

W60-2000	Flush
W60-2025	1/4" (6mm)
W60-2112	1-1/8" (29mm)
W60-2137	1-3/8" (35mm)

### SHORT STRAP POLISHED CHROME FINISH

W60-1000-S	Flush
W60-1012-S	1/8" (3mm)
W60-1025-S	1/4" (6mm)
W60-1037-S	3/8" (10mm)

### COORDINATED STYLING

Design coordinated with clean, unobtrusive lines to aesthetically complement the **W19 AND W38 SERIES EASY ACTION SAFETY LATCH** or other contemporary breaker hardware, latches or pulls.

### REVERSIBLE

Can be utilized for any right or left hand door application. Conversion is easily accomplished without tools.

### UNIQUE CAM ACTION

Contains self-lubricating nylon and Delrin cam rise components to provide **GLIDE-ACTION** door operation. These components reduce door sweep gasket wear regardless of floor irregularity and provide constant overclose pressure against the door gasket assuring a positive seal. A **HOLD-OPEN** feature is built into the cam allowing the door to remain open at 140°. The door will automatically return to a closed position if opened less than 140°.

### LIFT-OFF CAPABILITY

Doors can be removed quickly without tools or hinge disassembly. This allows for knockdown shipment and eliminates costly on-site installation and service time.

### DURABLE

Constructed of die-cast Zamak with built-in structural reinforcing ribs for extraordinary strength and years of trouble-free operation.

### ALL TYPE CONSTRUCTION

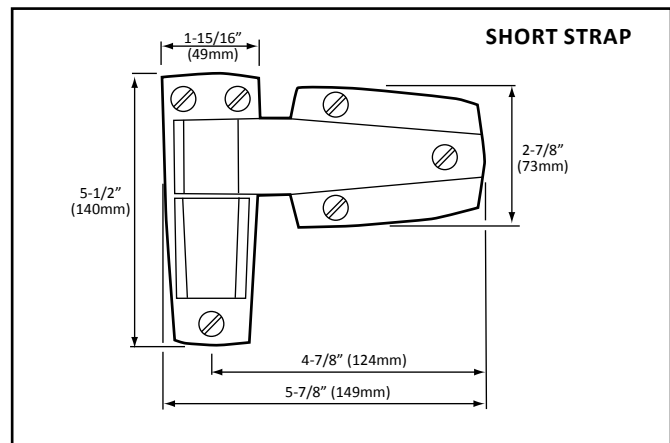
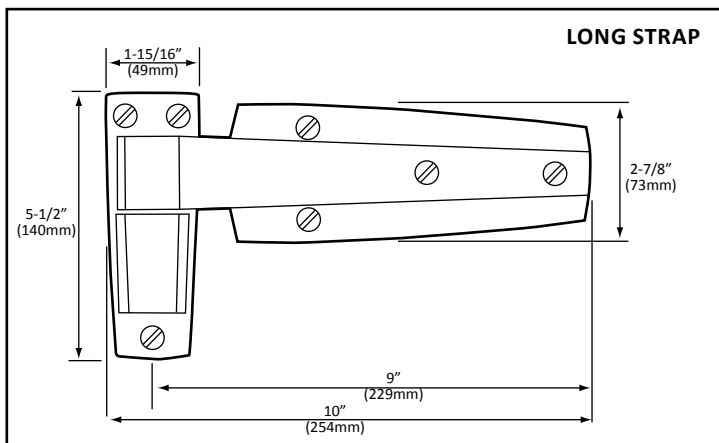
This series is designed to meet the universal requirements of all types of cooler construction especially foam.

### UNIVERSAL MOUNTING HOLES

Allows REPLACEMENT\* with all competitors models without redrilling or reinforcing.

### SPECIFICATIONS

**OFFSET:** Flush thru 2" (51mm)  
**FINISH:** Polished Chrome or Satin Chrome Finish  
**MATERIAL:** High pressure die cast Zamak  
**MOUNTING HOLES:** Drilled and countersunk for #14 screws (6mm)





## EASY INSTALLATION

## POWER SPRING CONVERSION CARTRIDGE KIT

**MODEL NO. W62-0001 Polished Chrome Finish**

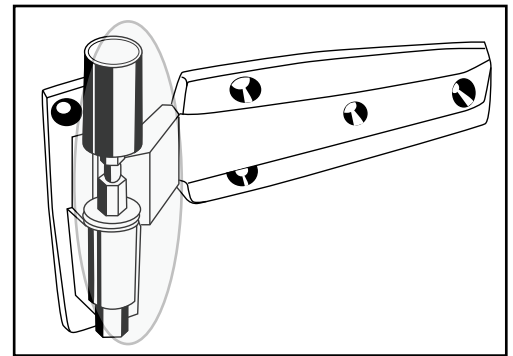
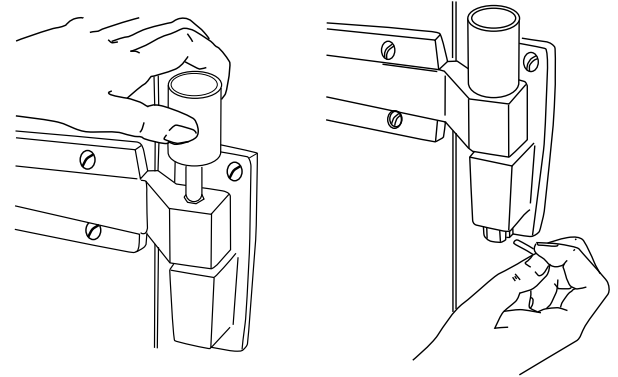
**MODEL NO. W62-2001 Satin Chrome Finish**

- ACCELERATES DOOR CLOSING
- INCREASES DOOR PRESSURE
- EASY INSTALLATION
- REDUCED INVENTORY

The energy saving power spring conversion cartridge is designed for easy installation into the W60 Series Lift-off Hinge. It provides increased door speed closure and maintains constant gasket pressure to eliminate refrigerated air loss. Unlike competitor's spring hinges, this optional cartridge kit can be simply added at any time to the W60 Series Lift-off Hinge eliminating costly inventories.

The cartridge kit contains a heavy duty chrome vanadium spring to assure years of trouble-free operation. The assembly may be used for either left or right hand doors, permitting reduced inventory for both hinges and conversion kits. When required, the cartridge may be easily disengaged for door removal.

**Note:** This conversion cartridge eliminates the lift-off capability of the W60 SERIES LIFT-OFF HINGE. REPLACES STANDARD-KEIL #2862 WITH COMPONENT HARDWARE QUALITY HARDWARE



## HEAVY-DUTY CAM-RISE HINGE

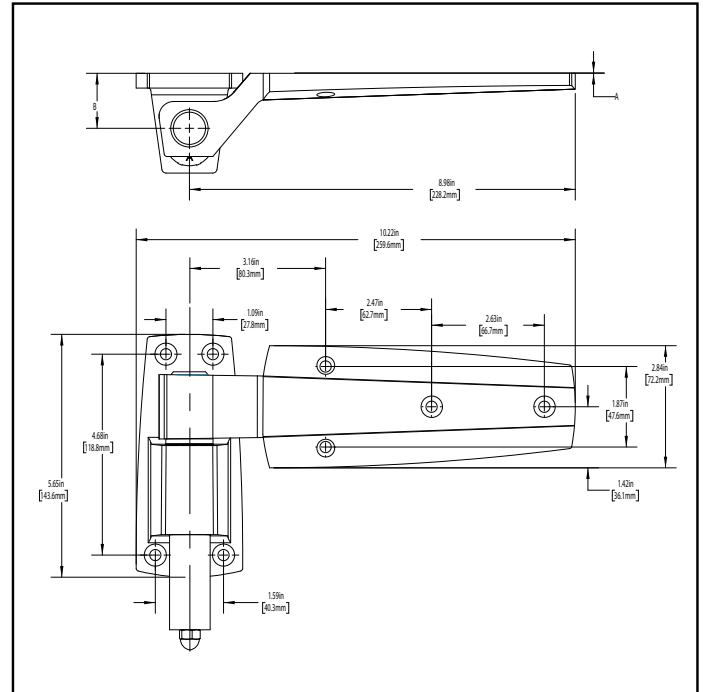
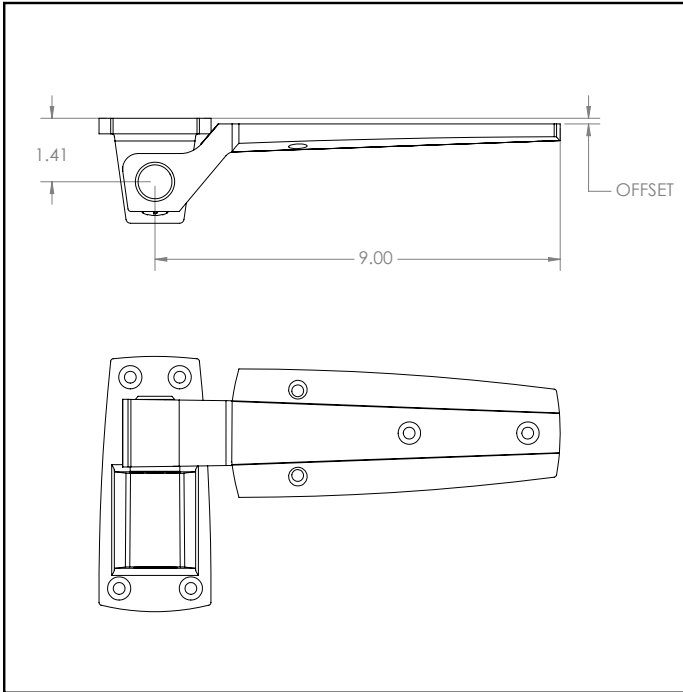
**MODEL NO. W77-1375 1-3/8" Offset**

- For cold storage, supermarket and other heavy-duty walk-in applications
- Reversible for left or right-hand doors without disassembly
- Self-closing cam-rise action
- Heavy-duty zinc-plated steel strap with satin finish
- Black epoxy-coated die cast flange
- Drilled for 3/8" mounting hardware
- Other offsets available upon application

# Heavy Duty Walk-In Door Hinges



C



## W61 SERIES - HINGE HEAVY DUTY WALK-IN COOLER/FREEZER

### FLEXIBLE DESIGN

- Easily converted from left to right hand swing without tools
- Lift-off capability - doors can be removed quickly without tools or hinge disassembly
- Available in polished chrome or satin chrome finish
- Universal mounting holes allow replacement with all competitors' models without redrilling
- Styling coordinated with Component Hardware W30 Series door pulls

### UNIQUE CAM ACTION

- Self-lubricating nylon and Delrin cam rise reduce door sweep gasket wear
- Provides constant overclose pressure against door gasket to ensure a positive seal
- Built-in hold open feature allows door to remain open at 140°
- Door automatically returns to a closed position if opened less than 140°

WITHOUT BUILT-IN SPRING		WITH BUILT-IN SPRING		A	B
MODEL NO. POLISHED CHROME	MODEL NO. SATIN CHROME	MODEL NO. POLISHED CHROME	MODEL NO. SATIN CHROME		
W61-1000	W61-2000	W61-3000	W61-4000	Flush	1.28" (32.5mm)
W61-1012	W61-2012	W61-3012	W61-4012	0.12" (3.1mm)	1.41" (35.8mm)
W61-1025	W61-2025	W61-3025	W61-4025	0.25" (6.4mm)	1.53" (38.9mm)
W61-1037	W61-2037	W61-3037	W61-4037	0.38" (9.7mm)	1.66" (42.2mm)
W61-1112	W61-2112	W61-3112	W61-4112	1.12" (28.5mm)	1.28" (32.5mm)
W61-1125	W61-2125	W61-3125	W61-4125	1.25" (31.8mm)	1.41" (35.8mm)
W61-1137	W61-2137	W61-3137	W61-4137	1.38" (35.1mm)	1.53" (38.9mm)
W61-1150	W61-2150	W61-3150	W61-4150	1.5" (38.1mm)	1.66" (42.2mm)
W61-1162	W61-2162	W61-3162	W61-4162	1.62" (41.2mm)	1.28" (32.5mm)
W61-1175	W61-2175	W61-3175	W61-4175	1.75" (44.5mm)	1.41" (35.8mm)
W61-1187	W61-2187	W61-3187	W61-4187	1.87" (47.5mm)	1.53" (38.9mm)
W61-1200	W61-2200	W61-3200	W61-4200	2.0" (51mm)	1.66" (42.2mm)

# Heavy Duty Non-Adjustable Walk-In Door Hinges



Patent D725,989 S

## FLEXIBLE DESIGN

- Spring assist feature provides additional closing force for use on heavier doors
- Easily converted from left to right hand swing without tools
- Lift-off capability - doors can be removed quickly without tools or hinge disassembly
- Available in Polished Chrome or Satin Chrome finish or black covers
- Removable hinge cover conceals mounting holes for clean appearance
- Hinge covers may be personalized with custom colors, logos, etc. for a distinctive look
- Universal mounting holes allow replacement with all competitors' models without redrilling
- Styling coordinated with Component Hardware W30 Series door pulls

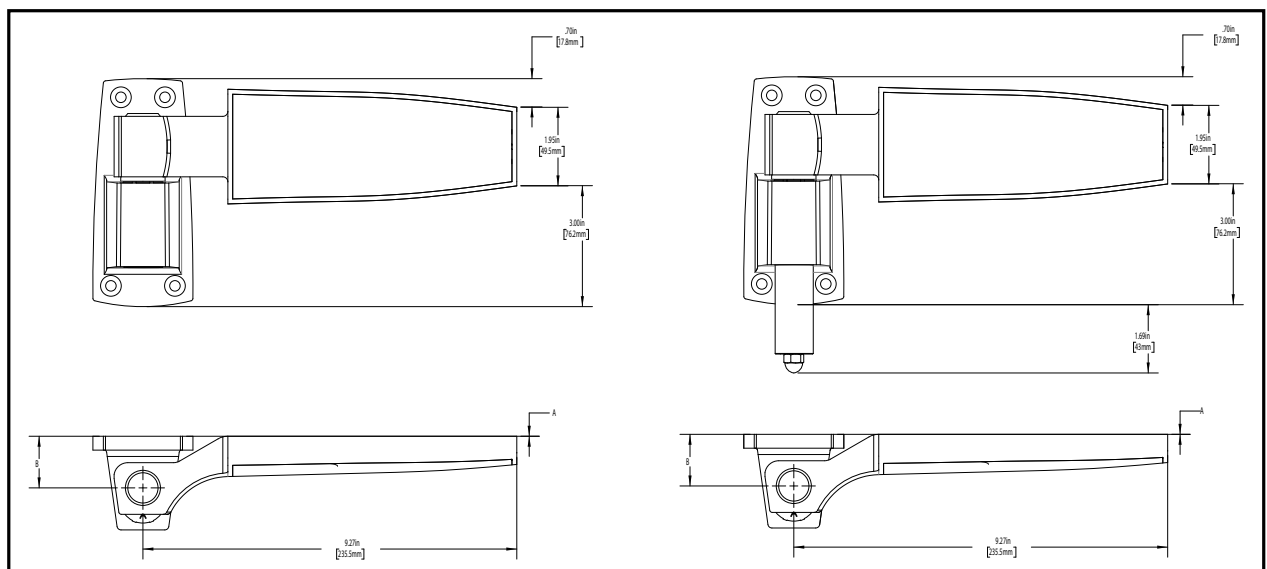
## UNIQUE CAM ACTION

- Self-lubricating nylon and Delrin cam rise reduce door sweep gasket wear
- Provides constant overclose pressure against door gasket to ensure a positive seal
- Built-in hold open feature allows door to remain open at 140°
- Door automatically returns to a closed position if opened less than 140°

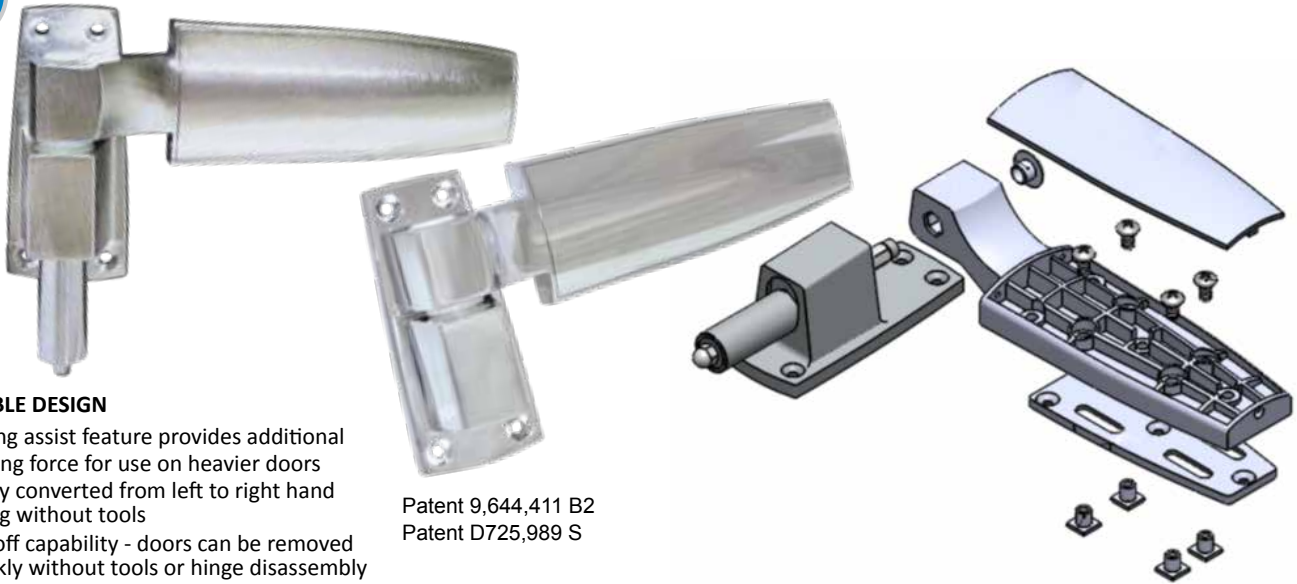
## W58 SERIES - NON-ADJUSTABLE HINGE HEAVY DUTY WALK-IN COOLER/FREEZER

WITHOUT SPRING		WITH SPRING		A	B
MODEL NO. POLISHED CHROME	MODEL NO. SATIN CHROME	MODEL NO. POLISHED CHROME	MODEL NO. SATIN CHROME		
W58-1000	W58-2000	W58-3000	W58-4000	Flush	1.28" (32.5mm)
W58-1012	W58-2012	W58-3012	W58-4012	0.12" (3.1mm)	1.41" (35.8mm)
W58-1025	W58-2025	W58-3025	W58-4025	0.25" (6.4mm)	1.53" (38.9mm)
W58-1037	W58-2037	W58-3037	W58-4037	0.38" (9.7mm)	1.66" (42.2mm)
W58-1112	W58-2112	W58-3112	W58-4112	1.12" (28.5mm)	1.28" (32.5mm)
W58-1125	W58-2125	W58-3125	W58-4125	1.25" (31.8mm)	1.41" (35.8mm)
W58-1137	W58-2137	W58-3137	W58-4137	1.38" (35.1mm)	1.53" (38.9mm)
W58-1150	W58-2150	W58-3150	W58-4150	1.5" (38.1mm)	1.66" (42.2mm)
W58-1162	W58-2162	W58-3162	W58-4162	1.62" (41.2mm)	1.28" (32.5mm)
W58-1175	W58-2175	W58-3175	W58-4175	1.75" (44.5mm)	1.41" (35.8mm)
W58-1187	W58-2187	W58-3187	W58-4187	1.87" (47.5mm)	1.53" (38.9mm)
W58-1200	W58-2200	W58-3200	W58-4200	2.0" (51mm)	1.66" (42.2mm)

Note: Standard hinge cover matches hinge. For black plastic cover, add "-CBLK" to model number.



# Heavy Duty Adjustable Walk-In Door Hinges



C

## FLEXIBLE DESIGN

- Spring assist feature provides additional closing force for use on heavier doors
- Easily converted from left to right hand swing without tools
- Lift-off capability - doors can be removed quickly without tools or hinge disassembly
- Unique internal adjusting bracket facilitates quick and easy in-place adjustment for door sag
- Available in Polished Chrome or Satin Chrome finish or black covers
- Removable hinge cover conceals mounting holes for clean appearance
- Hinge covers may be personalized with custom colors, logos, etc. for a distinctive look
- Universal mounting holes allow replacement with all competitors' models without redrilling
- Styling coordinated with Component Hardware W30 Series door pulls

Patent 9,644,411 B2  
Patent D725,989 S

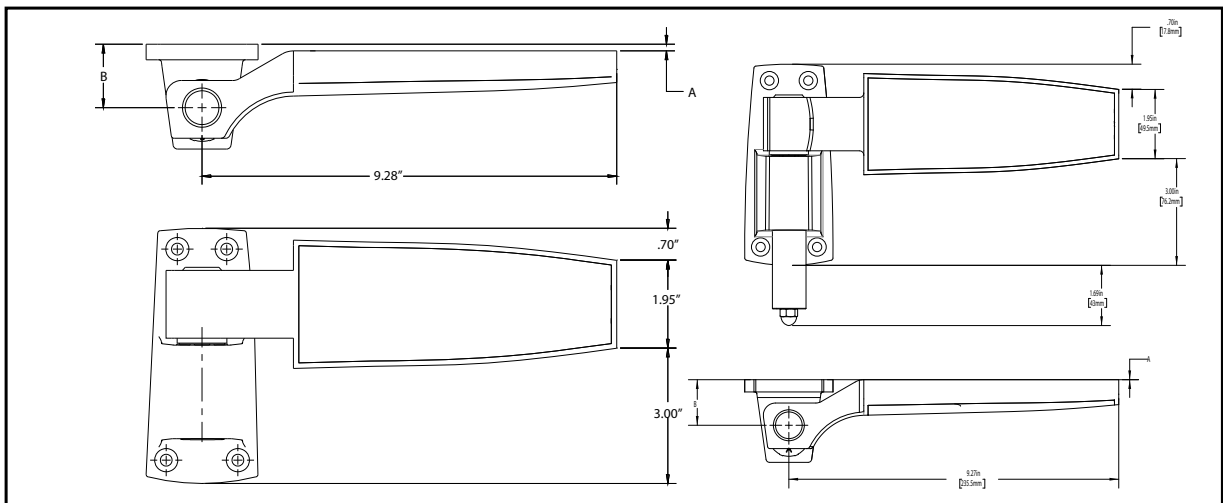
## W59 SERIES - ADJUSTABLE HINGE HEAVY DUTY WALK-IN COOLER/FREEZER

WITHOUT SPRING		WITH SPRING		A	B
MODEL NO. POLISHED CHROME	MODEL NO. SATIN CHROME	MODEL NO. POLISHED CHROME	MODEL NO. SATIN CHROME		
W59-1000	W59-2000	W59-3000	W59-4000	FLUSH	1.28" (32.5mm)
W59-1012	W59-2012	W59-3012	W59-4012	0.12" (3.1mm)	1.41" (35.8mm)
W59-1025	W59-2025	W59-3025	W59-4025	0.25" (6.4mm)	1.53" (38.9mm)
W59-1037	W59-2037	W59-3037	W59-4037	0.38" (9.7mm)	1.66" (42.2mm)
W59-1112	W59-2112	W59-3112	W59-4112	1.12" (28.5mm)	1.28" (32.5mm)
W59-1125	W59-2125	W59-3125	W59-4125	1.25" (31.8mm)	1.41" (35.8mm)
W59-1137	W59-2137	W59-3137	W59-4137	1.38" (35.1mm)	1.53" (38.9mm)
W59-1150	W59-2150	W59-3150	W59-4150	1.5" (38.1mm)	1.66" (42.2mm)
W59-1162	W59-2162	W59-3162	W59-4162	1.62" (41.2mm)	1.28" (32.5mm)
W59-1175	W59-2175	W59-3175	W59-4175	1.75" (44.5mm)	1.41" (35.8mm)
W59-1187	W59-2187	W59-3187	W59-4187	1.87" (47.5mm)	1.53" (38.9mm)
W59-1200	W59-2200	W59-3200	W59-4200	2.0" (51mm)	1.66" (42.2mm)

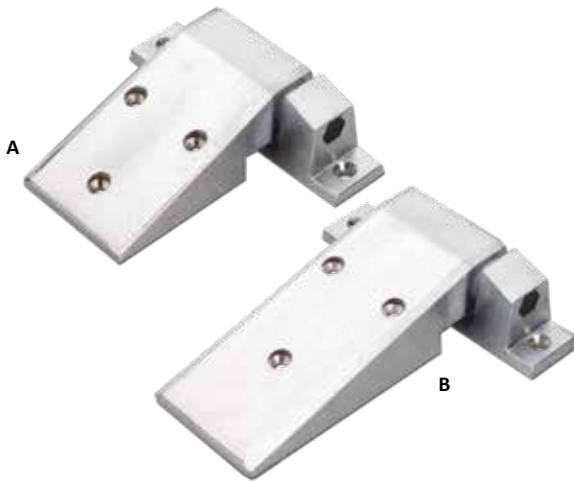
## UNIQUE CAM ACTION

- Self-lubricating nylon and Delrin cam rise reduce door sweep gasket wear
- Provides constant overclose pressure against door gasket to ensure a positive seal
- Built-in hold open feature allows door to remain open at 140°
- Door automatically returns to a closed position if opened less than 140°

Note: Standard hinge cover matches hinge. For black plastic cover, add "-CBLK" to model number.





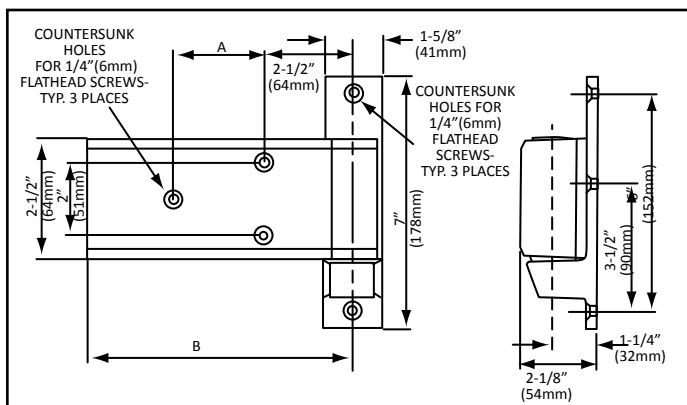


## REVERSIBLE SELF-CLOSING HINGE WITH CAM-RISE CONSTRUCTION

- Contemporary design and heavy precision die-cast construction provides durable, dependable service
- Self-closing, self-lubricating, self-rising cam provides smooth quiet closing action
- Lift-off and reversible non-handed cam design allows for easy field installation
- Special cam design feature provides a hold open dwell at 100° opening to facilitate loading and unloading of cooler
- Available in both long and short strap models
- Special satin chrome finish offers years of clean, trouble-free use while matching related hardware and cooler door coverings
- Polished chrome finish available
- Optional spring assist cartridge assembly available for accelerated and positive door closing

REF.	MODEL NO.	A	B	FINISH
A	<b>W55-1000</b> Short Flange Assembly, Flush Offset	1-15/16" (49mm)	5-5/16" (135mm)	Satin Chrome
B	<b>W56-1000</b> Long Flange Assembly, Flush Offset	2-1/2" (64mm)	7-5/16" (186mm)	Satin Chrome

**MODEL NO. W55-0001** OPTIONAL POWER SPRING KIT FOR USE WITH W55/56 HINGES



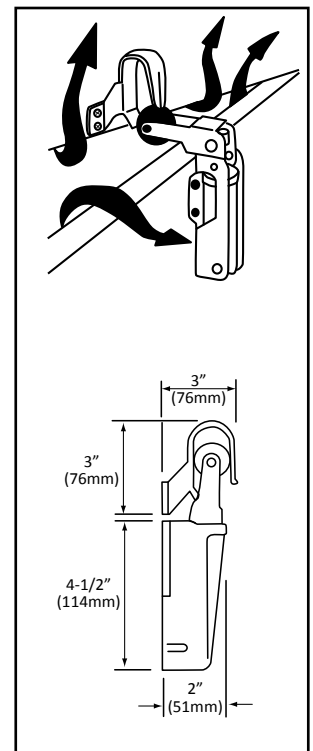
## HYDRAULIC DOOR CLOSER FOR WALK-IN REFRIGERATORS AND FREEZERS

- RUGGED CONSTRUCTION
  - DEPENDABLE ACTION
  - CONTEMPORARY DESIGN
  - ECONOMICAL
- Overcomes difficulties experienced in closing a refrigerator or freezer door against the air that compresses inside
  - Actually pulls refrigerator or freezer door closed while allowing the compressed air in the unit to slowly escape, then holds door firmly closed to eliminate loss of refrigerated air
  - Where severe temperature and pressure conditions combine to force doors open, responds to the released pressure and immediately recloses the door
  - Universal mounting holes, permit easy REPLACEMENT\* of competitive models, complete with white snap-on dust cover.

**MODEL NO. R55-1010**  
FOR FLUSH DOORS

**MODEL NO. R55-1020**  
FOR 1-1/8" (29mm)  
OFFSET DOORS

REPLACES STANDARD-KEIL #2882 WITH COMPONENT HARDWARE QUALITY HARDWARE



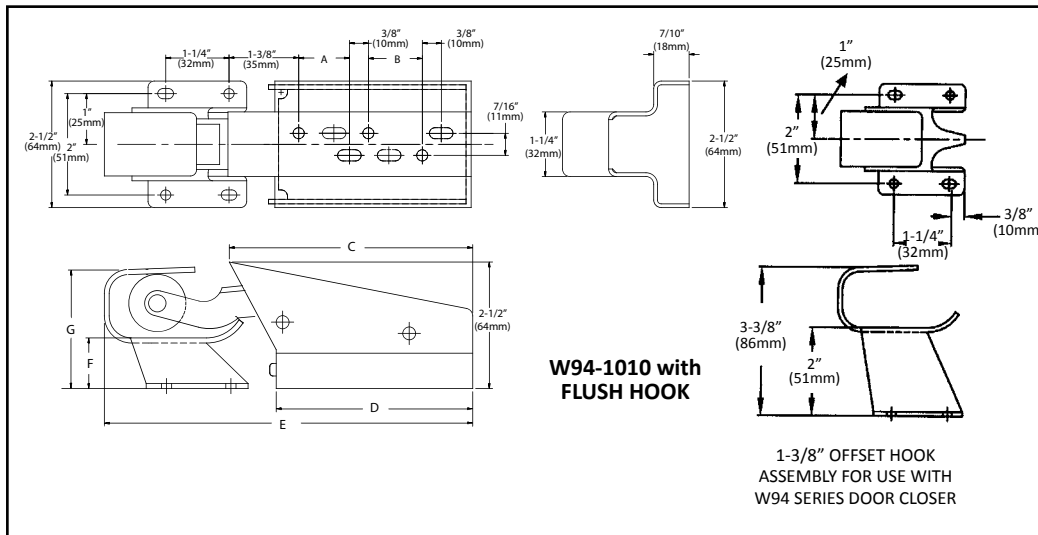


C

## HEAVY-DUTY HYDRAULIC SNUGGER™

- MODEL NO. W94-1010 – Flush Offset, Stainless Steel
- MODEL NO. W94-1020 – 1-1/8" (29mm) Offset, Stainless Steel
- MODEL NO. W94-2010 – Flush Offset, Chrome Plated Steel
- MODEL NO. W94-2020 – 1-1/8" (29mm) Offset, Chrome Plated Steel

- Snugger's powerful gas-loaded hydraulic cylinder provides positive, smooth door closure
  - Unique cover design provides for easy installation and concealed mounting
- Cushioned rubber roller and unique spring design offers smooth, quiet, trouble-free operation
  - Available in popular flush and 1-1/8" offsets
- Interchangeability - unique concealed mounting hole pattern allows Snugger to easily replace all existing models in the field
  - Mounting template provided



### W94-1010/W94-2010

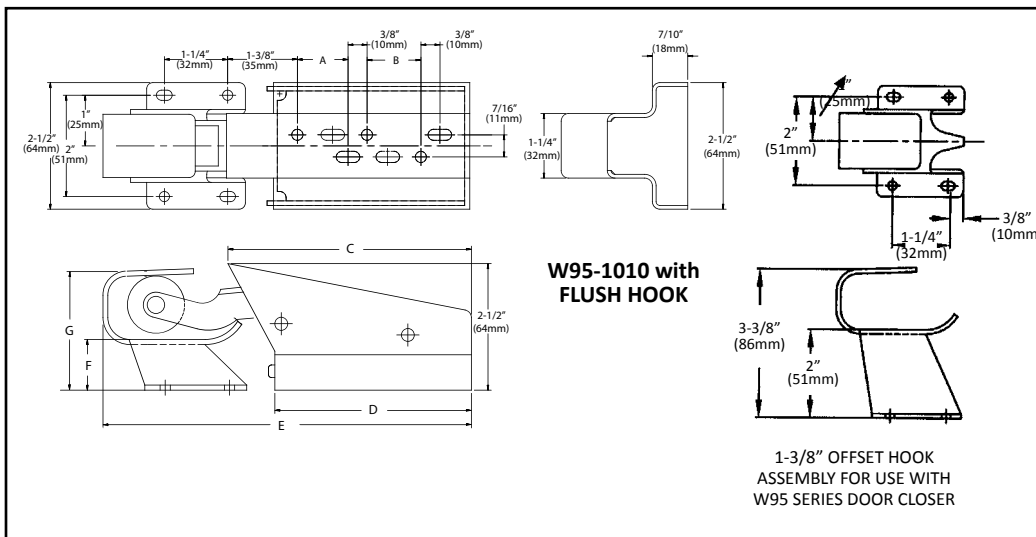
REF.	DESCRIPTION
A	1" (25mm)
B	2-7/16" (62mm)
C	7-7/16" (189mm)
D	6-1/2" (165mm)
E	9-15/16" (252mm)
F	1" (25mm)
G	2-3/8" (60mm)



## HEAVY-DUTY SPRING ACTION CLOSE-MASTER™

- MODEL NO. W95-1010 – Flush Offset, Stainless Steel
- MODEL NO. W95-1020 – 1-1/8" (29mm) Offset, Stainless Steel
- MODEL NO. W95-1030 – 1-3/8" (35mm) Offset, Stainless Steel
- MODEL NO. W95-2010 – Flush Offset, Chrome Plated Steel
- MODEL NO. W95-2020 – 1-1/8" (29mm) Offset, Chrome Plated Steel
- MODEL NO. W95-2030 – 1-3/8" (35mm) Offset, Chrome Plated Steel

- Close-Master spring action permits fast door closure and positive gasket seal, reducing energy costs
  - Concealed Mounting offers clean, tamperproof appearance
  - Unique cover design provides for easy installation and concealed mounting
- Cushioned rubber roller and unique spring design offers smooth, quiet, trouble-free operation
  - Available in popular flush and 1-1/8" offsets
- Interchangeability - unique concealed mounting hole pattern allows Close-Master to easily replace all existing models in the field
  - Re-designed back plate permits easier adjustment during installation and prevents roller arm from hitting top of door
  - Mounting template provided



### W95-1010/W95-2010

REF.	DESCRIPTION
A	1" (25mm)
B	1-1/16" (27mm)
C	4-13/16" (122mm)
D	3-7/8" (98mm)
E	7-1/4" (184mm)
F	1" (25mm)
G	2-3/8" (60mm)



C



## REFRIGERATOR / FREEZER THERMOMETERS

**ECONOMICAL  
REFRIGERATOR / FREEZER THERMOMETER  
MODEL NO. T90-330**

- DUAL SCALE TEMPERATURE RANGE  
-40° TO 120°F (-40° TO 50°C)
- NON-TOXIC SOLUTION IN COMPLETELY SEALED GLASS TUBE
  - HANGS FROM SHELF OR FASTENS PERMANENTLY
  - UNIQUE 360° SWIVEL MOUNTING BRACKET



C

## REFRIGERATOR / FREEZER THERMOMETERS

**SURFACE MOUNT THERMOMETER  
MODEL NO. T90-6812**

- DUAL SCALE TEMPERATURE RANGE -40° TO 65°F (-40° TO 20°C) • STAINLESS STEEL HOUSING
- 2" DIAL - 3-1/2" FLANGE • RECALIBRATEABLE
- ACCURACY + 2% • 48" CAPILLARY

---

**FLUSH FRONT RECESSED MOUNT  
THERMOMETER  
MODEL NO. T90-6142**

- DUAL SCALE TEMPERATURE RANGE -40° TO 65°F (-40° TO 20°C) • STAINLESS STEEL HOUSING
- ACCURACY + 2% • 2" DIAL - 3" FLANGE
- RECALIBRATEABLE • 48" CAPILLARY



# Pressure Relief Port for Round Cut Out



## W88 SERIES VENT PORT FOR WALK-IN REFRIGERATORS AND FREEZERS

- Heated vents prevent freeze-ups and reduce cooler condensation
- Two way valve unit allows air flow in dual directions, compensates for expansion and contraction during refrigeration cycles
  - Supplied in 120V or 220V Models

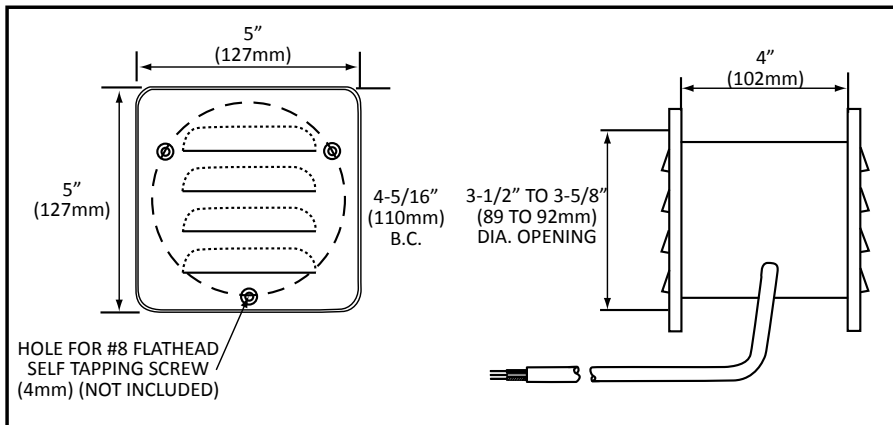
### PRESSURE RELIEF PORT

MODEL NO.	VOLTAGE	APPLICATION
W88-1010	120V/23 Watts with Heater	Freezer
W88-1012	220V/23 Watts with Heater	Freezer
W88-2010	Non-Heated	Cooler

### SPECIFICATIONS

**MATERIAL:** All Aluminum  
**INTERNAL SLEEVE:** Lexan, Self-extinguishing  
**FINISH:** Textured Aluminum  
**ELECTRICAL REQUIREMENTS:** 120V or 220V Specify voltage requirements  
 4" (102mm) standard size wall thickness

When ordering specify other wall thickness. Drilled for No. 8 (4mm) screws



File No. LR29496



File No. E73857



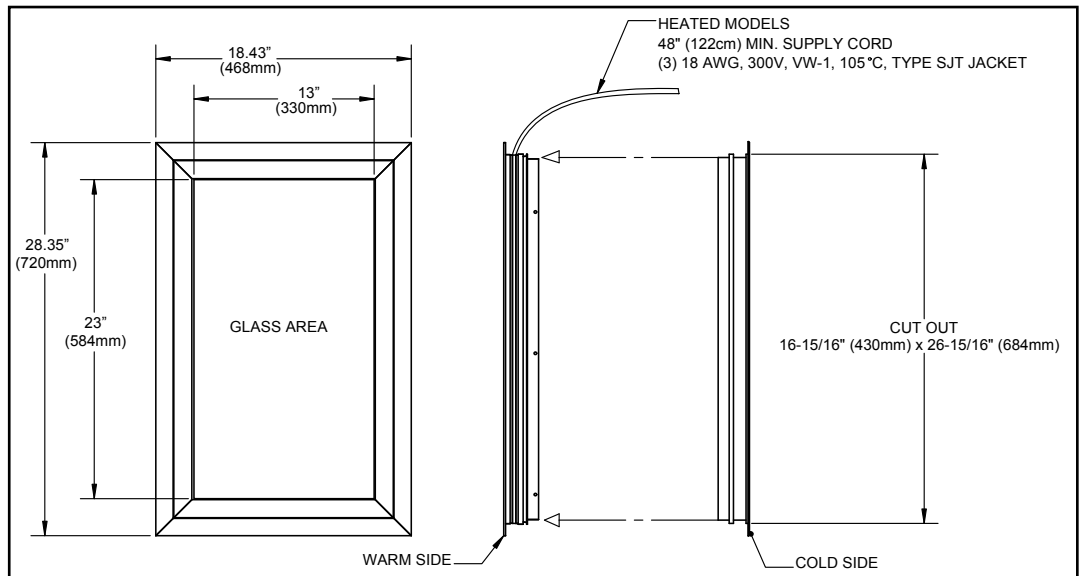
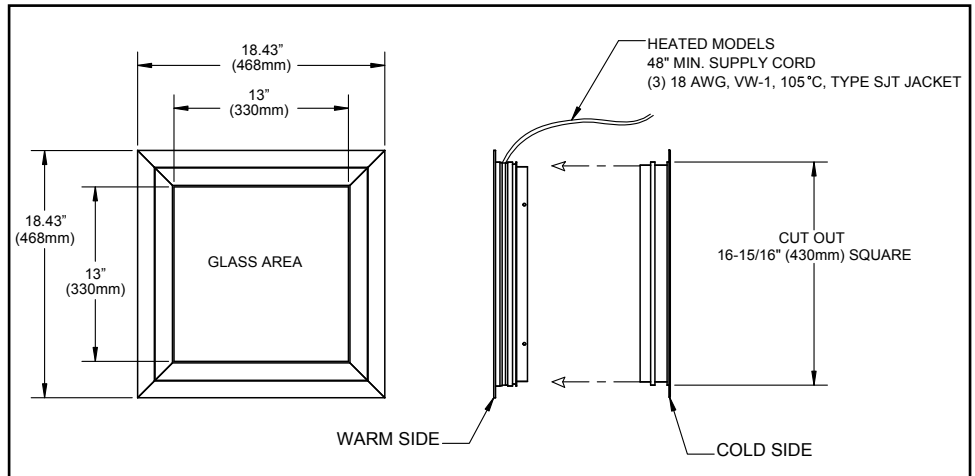
## WINDOW VIEWPORTS

### WITH ALUMINUM COVER FOR WALK-IN COOLER AND FREEZER APPLICATIONS- AVAILABLE HEATED AND NON-HEATED

- Brushed aluminum frame • Tempered triple pane glass on all models
- Argon filled space between glass on all models for added e-factor and to comply with Energy Independence Act of 2007
- Heated models for 120V/60Hz freezer applications to prevent fogging • Helps to minimize ingress/egress accidents
- Ideal for walk-in cooler/freezer applications and environmental chambers

MODEL NO.	DESCRIPTION	CUT-OUT SIZE	DOOR WIDTH	VOLTAGE (VAC)	CURRENT (Amp)	POWER (Watts)	FREQUENCY (Hz)
<b>W91-1414-HGHF</b>	Argon Gas Filled Space Between 3 Layers of Glass with Heated Frame and Heated Glass	16-15/16" (430mm) Square	3-1/2" (89mm) To 4" (102mm)	120	0.7	84	60
<b>W91-14143-UGUF</b>	Argon Gas Filled Space Between 3 Layers of Glass with Un-Heated Frame and Un-Heated Glass			—	—	—	—
<b>W91-1424-HGHF</b>	Argon Gas Filled Space Between 3 Layers of Glass with Heated Frame and Heated Glass	16-15/16" (430mm) x 26-15/16" (684mm)	3-1/2" (89mm) To 4" (102mm)	120	1.0	120	60
<b>W91-14243-UGUF</b>	Argon Gas Filled Space Between 3 Layers of Glass with Un-Heated Frame and Un-Heated Glass			—	—	—	—

C



NOTE: Double-sided tape exists all around inside surface of flange.



## FIP PANEL FASTENERS

### FOAMED-IN-PLACE PANEL FASTENERS

Component Hardware® brand Foamed-In-Place (FIP) Panel Fasteners are ideal for use in high volume fabrication operations when consistency and outstanding performance are your driving concerns. This fastening system provides a fool-proof method for accurately positioning, inserting and anchoring the fasteners into your insulated panels, that will save you both time and money

### HOW FIP FASTENERS WORK

Simply affix our dedicated panel fastener adapters to your existing foaming jigs to create a permanent anchor point that insures your fasteners are securely and precisely positioned in every foamed panel. The unique design of these adapters guarantees that the locking points and strikes cannot be installed upside down or on the wrong side of the jig, resulting in reduced scrap and production times. In addition, we manufacture these adapters from hardened steel for durability and extended service life.

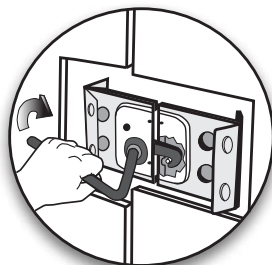
Attaching FIP panel fasteners to your foaming jig is as simple as snapping the locking points and strikes on to their respective adapters, closing the jig and foaming your panels. All of our FIP fasteners are designed with specially placed holes in the housing to permit foam to completely fill around the fastener for superior pull-out strength and better insulating properties.

### THE COMPONENT HARDWARE® DIFFERENCE

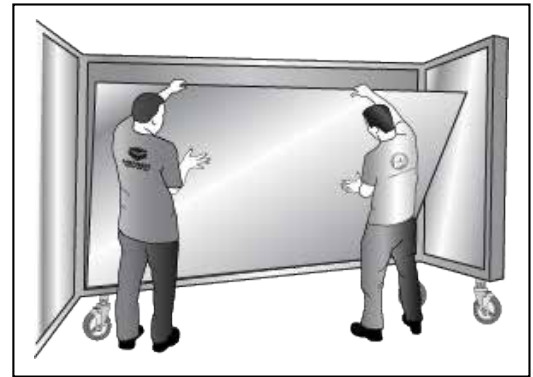
Component Hardware® Refrigeration Hardware is known for innovative design, exceptional value and unsurpassed quality. Our products are manufactured to our exacting standards to insure they can withstand the rigorous demands required in commercial refrigeration applications.

We know that panel fasteners are the “glue” that holds your walk-in cooler/freezer together. If they do not function properly, it can result in increased energy consumption or failure of the structural integrity of the entire unit. That’s why all of our panel fasteners undergo rigorous quality inspections to insure our customers of the durability and reliability they have come to know and trust from the Component Hardware® brand.

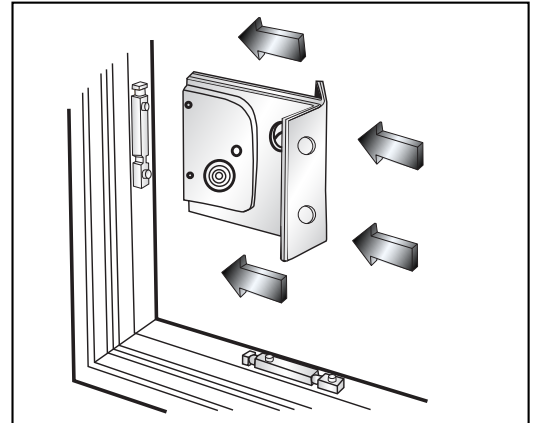
The next time you are building or specifying a walk-in cooler, freezer or environmental enclosure, be sure that it is made using authentic Component Hardware® brand refrigeration hardware for trouble-free performance and peace of mind.



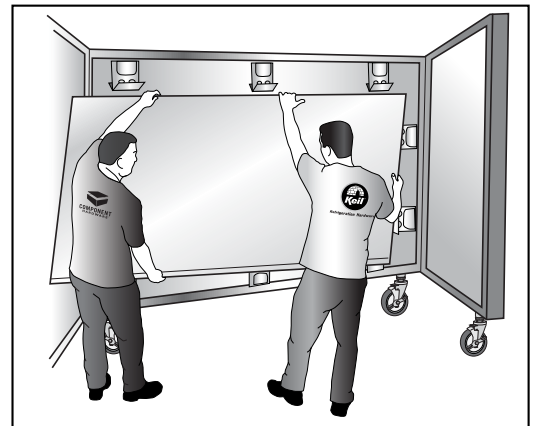
Use Model No. W27-0001-C hexagonal wrench for easy locking of all Component Hardware panel fasteners.



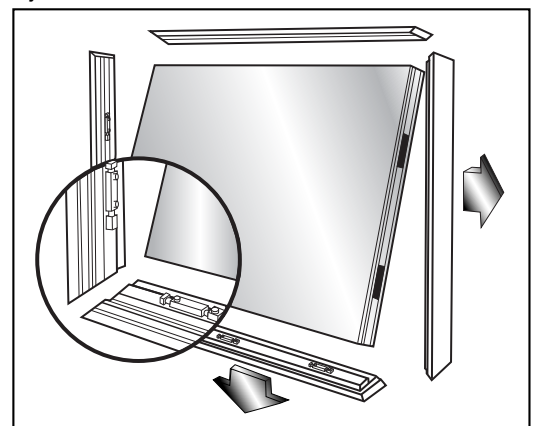
1. Insert outer skin of the panel into the mold.



2. Snap fastener (locking point or strike) onto its unique Component Hardware adapter.



3. Insert inner skin into the mold fixture. Close mold and inject foam.



4. After curing, open the mold and retract edge rails. Remove completed panel with fasteners securely in place. Lock panels using Component Hardware Model No. W27-0001-C wrench.



### W27 SERIES COMPACT FOAMED-IN-PLACE

MODEL NO. W27-7300  
LOCKING HOOK

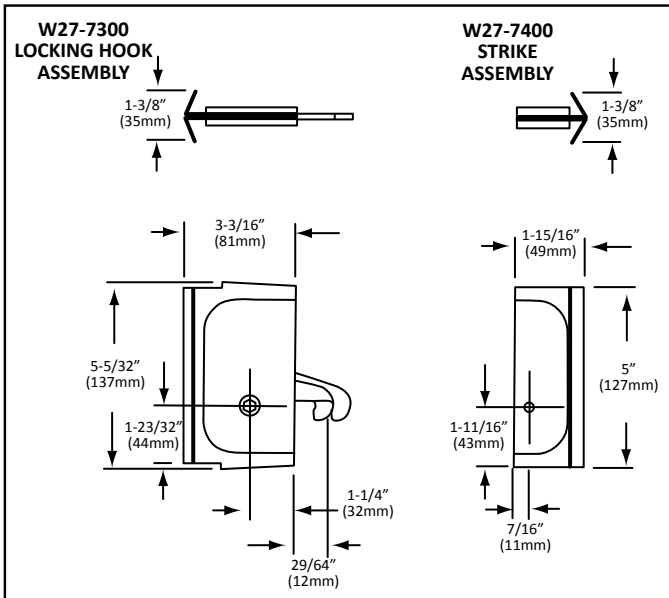
- Friction drive allows hook to slice through foam, locates the female locking pin in mating panel and tightens, providing a positive panel seal
- Zinc plated construction eliminates corrosion concerns and improves mastic adhesion
- Compact construction, superior strength, heavy gauge
  - Permits interchangeability of panels

JIG ADAPTER MODEL NO. W27-1173H

MODEL NO. W27-7400  
STRIKE

- Interchangeable for use on existing foaming jigs and adapters
  - Special guide ribs are built in the female housing which direct the hook to an on-center position
  - Offers reliable repeat service and performance
- Large diameter foam holes ensure positive foam integrity

JIG ADAPTER MODEL NO. W27-8804



### W27 SERIES FOAMED-IN-PLACE, DUAL ACCESS DESIGN

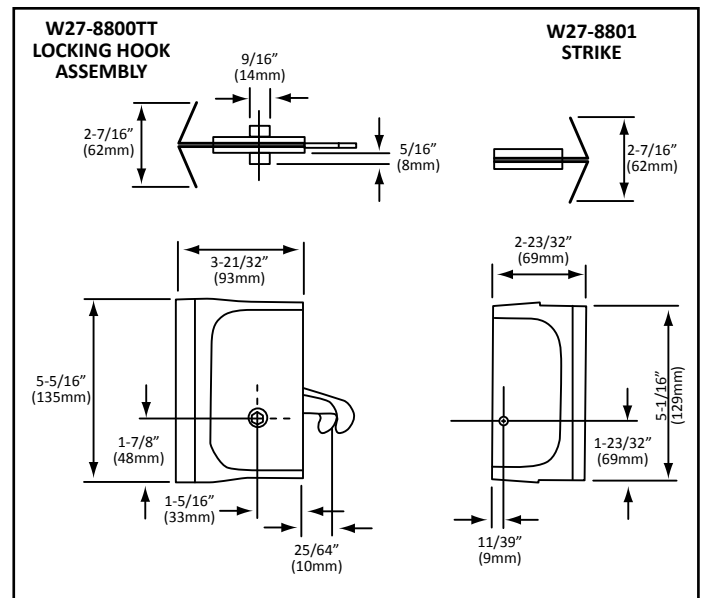
MODEL NO.  
W27-8800TT-SP & W27-8800TT-SS  
TWIN TUNNEL LOCKING HOOK

MODEL NO.  
W27-8801-SP & W27-8801-SS STRIKE

- Unique Twin Tunnel design provides access to either panel side
  - Provides a positive panel seal
- Interchangeable-for use on existing foaming jigs and adapters
- Friction drive allows hook to slice through foam, locates the female locking pin in mating panel and tightens
  - Heavy gauge, superior strength and economical
  - Zinc plated construction eliminates corrosion concerns and improves mastic adhesion
- Standard flush and extended "Twin-Tunnel" cams available
  - Plastic tunnel cap included at no extra charge
  - Wide fastener wings enhance pull-out strength
- Large diameter foam flow holes ensure positive foam integrity

JIG ADAPTER FOR HOOK: MODEL NO. W27-8803

JIG ADAPTER FOR PIN: MODEL NO. W27-8804



### PANEL FASTENER JIG ADAPTERS

- For foam-in-place applications
- Readily replaces\* all competitor's adapters having same mounting holes with Component Hardware Quality Hardware
- Hardened Steel and Electroplated
- Adapters available for ALL Component Hardware Foamed-in-Place Fasteners
- Competitive pricing

REF.	MODEL NO.	FITS PANEL FASTENER MODELS
A	W27-1173H	W27-7300, 1168BP & 1169BP
B	W27-8803	W27-8800TT & 1188BP
C	W27-8804	W27-8801, W27-7400 & 1188P





## SLAB FOAM PANEL FASTENERS

### HOW TO BUILD INSULATED PANELS WITHOUT COSTLY TOOLING

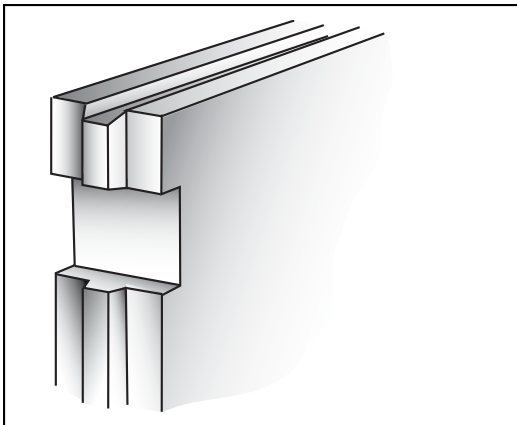
Slab Foam Panel Fasteners are ideal for fabricators looking for a low cost method of constructing light weight insulated panels using Styrene, Styrofoam or urethane sheet stock. These plastic block fasteners are available for 2", 4" & 6" wide panels to accommodate applications including environmental enclosures, walk-in coolers and walk-in freezers.

### C THE COMPONENT HARDWARE® DIFFERENCE

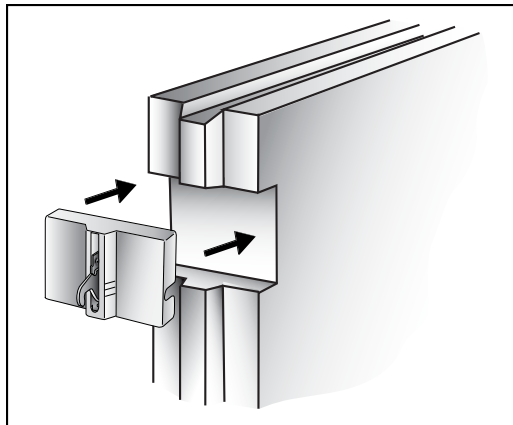
Component Hardware® Refrigeration Hardware is known for innovative design, exceptional value and unsurpassed quality. Our products are manufactured to our exacting standards to insure they can withstand the rigorous demands required in commercial refrigeration applications.

We know that panel fasteners are the "glue" that holds your walk-in cooler/freezer together. If they do not function properly, it can result in increased energy consumption or failure of the structural integrity of the entire unit. That's why all of our panel fasteners undergo rigorous quality inspections to insure our customers of the durability and reliability they have come to know and trust from the Component Hardware® brand.

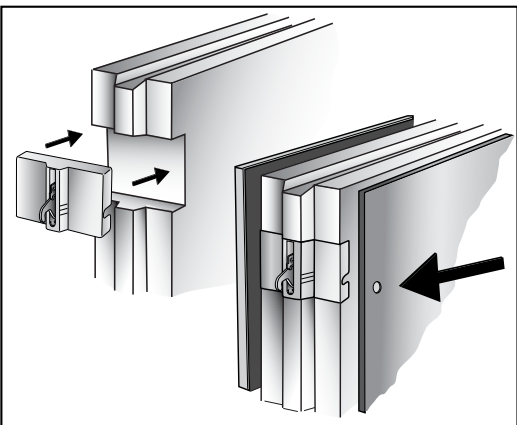
The next time you are building or specifying a walk-in cooler, freezer or environmental enclosure, be sure that it is made using authentic Component Hardware® brand refrigeration hardware for trouble-free performance and peace of mind.



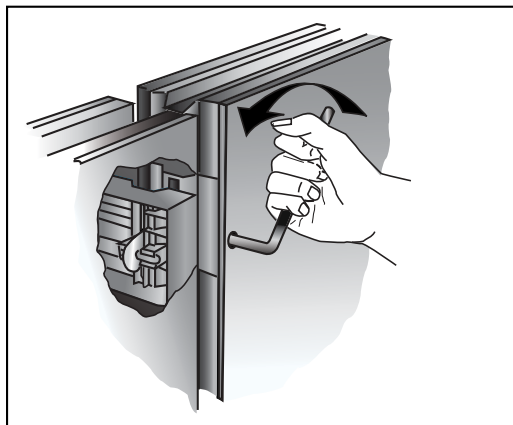
1. Cut insulating material to size. Shape tongue and groove surfaces. Notch panel for fastener.



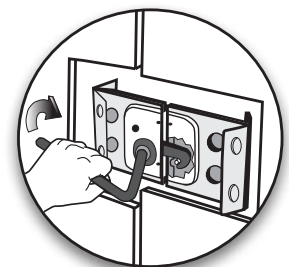
2. Insert plastic housing, either locking point or strike, as needed.



3. Apply adhesive to metal skins. Laminate foam between two skins and apply pressure for bonding. (Return bend on metal helps to hold fastener in place.)



4. After curing, panels are read for assembly. Completed panels are easily locked in position at assembly site using the Component Hardware W27-0001-C.

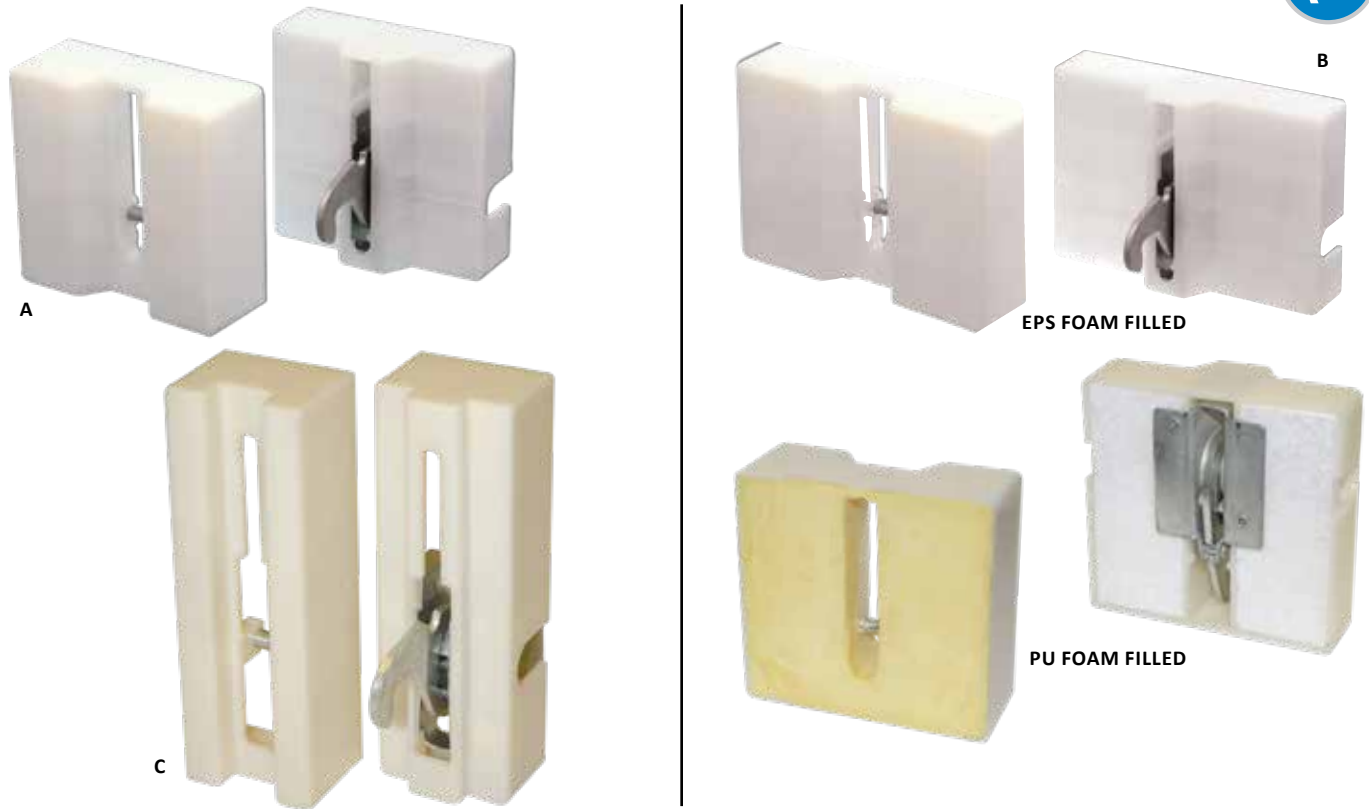


Use Model No. W27-0001-C hexagonal wrench for easy locking of all Component Hardware panel fasteners.





## W27 SERIES SLAB FOAM ABS BLOCK



**REF. A**  
**SLAB FOAM ABS BLOCK**  
**PANEL FASTENERS**

**MODEL NO. W27-5204**  
 For Gasketed 4" (102mm) Panels

**REF. B**  
**SLAB FOAM ABS BLOCK**  
**PANEL FASTENERS with**  
**FOAM INSULATED BACKING**

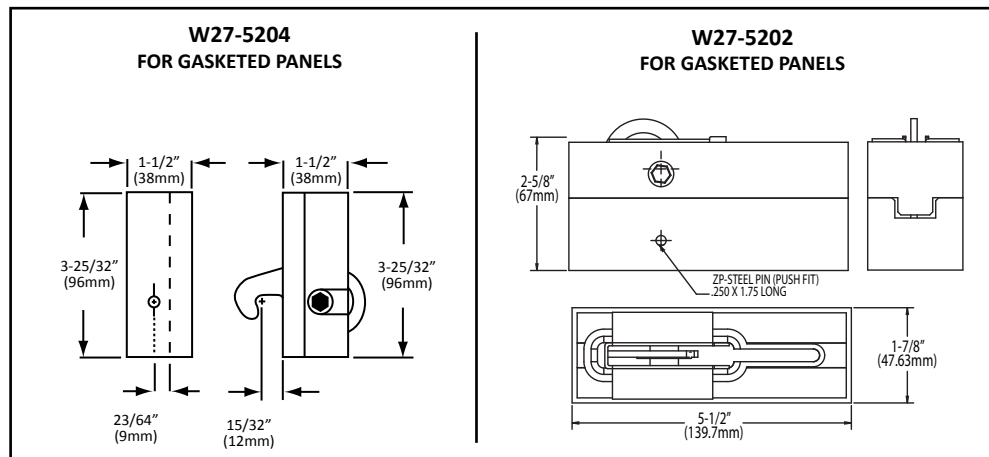
**MODEL NO. W27-5304**  
 For Gasketed 4" (102mm) Panels  
**EPS Foam Filled**

**MODEL NO. W27-5306**  
 For Gasketed 6" (152mm) Panels  
**PU Foam Filled**

**REF. C**  
**SLAB FOAM ABS BLOCK**  
**PANEL FASTENERS**

**MODEL NO. W27-5202**  
 For Gasketed 2" (51mm) Panels

- Unbreakable ABS housing, zinc plated heavy gauge steel hook and pin
- Permanently attached hook and strike insures integrity and can be activated time and time again
- For use with 2" (51mm), 4" (102mm) and 6" (152mm) panels
- Economical





## RIGID RAIL PANEL FASTENERS

### DESIGNED ESPECIALLY FOR WOOD, HIGH DENSITY FOAM OR METAL FRAME RAILS

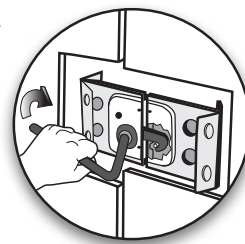
This series of Component Hardware® brand panel fasteners is designed for use with wood, high density foam or metal frame rail insulated panels. This economical method of producing pre-fabricated insulated panels permits the manufacturer to build panel sections of virtually any size or shape. We offer a wide array of rigid rail locking points, strikes and pins, which may be combined to accommodate a broad range of panel thicknesses, joint types and rail materials.

### THE COMPONENT HARDWARE® DIFFERENCE

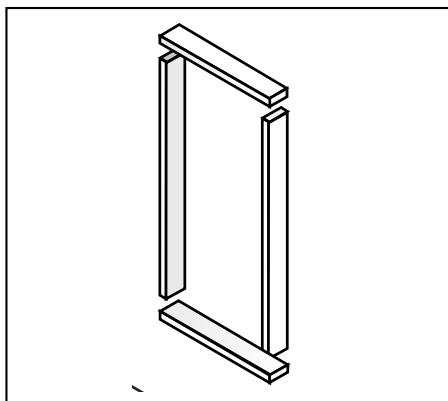
Component Hardware® Refrigeration Hardware is known for innovative design, exceptional value and unsurpassed quality. Our products are manufactured to our exacting standards to insure they can withstand the rigorous demands required in commercial refrigeration applications.

We know that panel fasteners are the “glue” that holds your walk-in cooler/freezer together. If they do not function properly, it can result in increased energy consumption or failure of the structural integrity of the entire unit. That’s why all of our panel fasteners undergo rigorous quality inspections to insure our customers of the durability and reliability they have come to know and trust from the Component Hardware® brand.

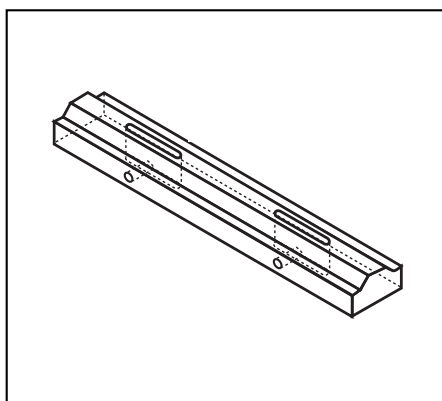
The next time you are building or specifying a walk-in cooler, freezer or environmental enclosure, be sure that it is made using authentic Component Hardware® brand refrigeration hardware for trouble-free performance and peace of mind.



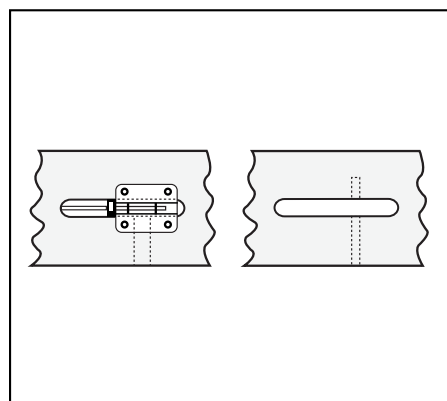
Use Model No. W27-0001-C hexagonal wrench for easy locking of all Component Hardware panel fasteners.



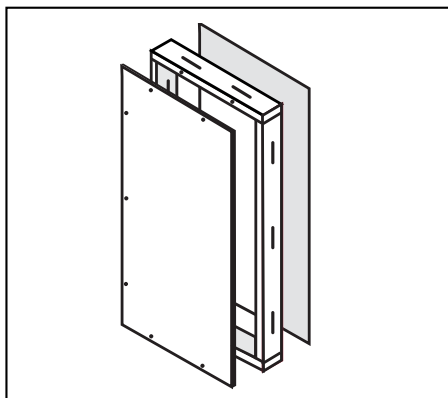
1. Cut frame material to form panel perimeter.



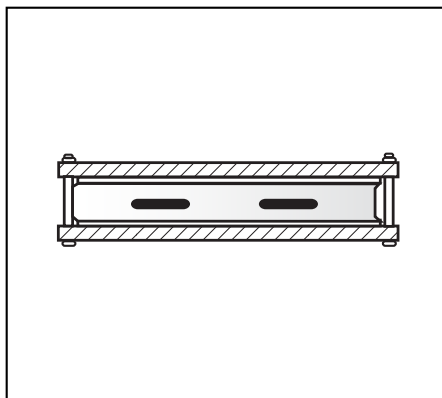
2. Determine locations for fasteners and mortise, dado, or rout slots. Drill wrench holes. (If using W27-5501/5502, drill pin holes.)



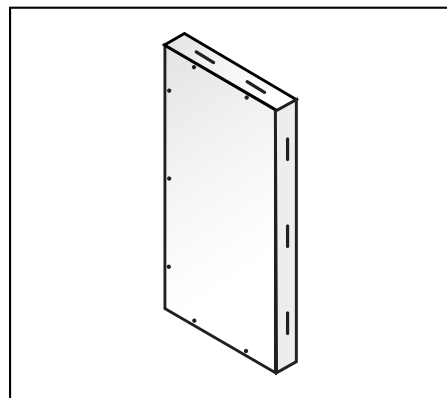
3a. Place fastener in slot and nail or staple in place.  
3b. If using W27-5501/5502 pin, insert in drilled pin holes. (Taping of back may be required when foaming.)



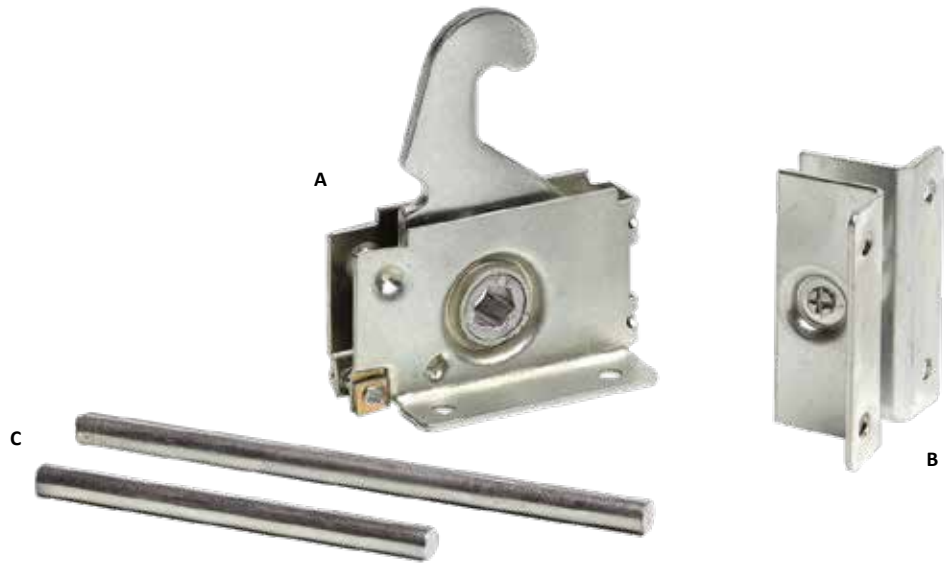
4. Assemble frame with panel skins.



5. Clamp panel in restraining fixture and inject foam.



6. The finished panels are ready for fast, easy joining using W27-0001-C wrench.



## W27 SERIES WOOD FRAME AND METAL FRAME

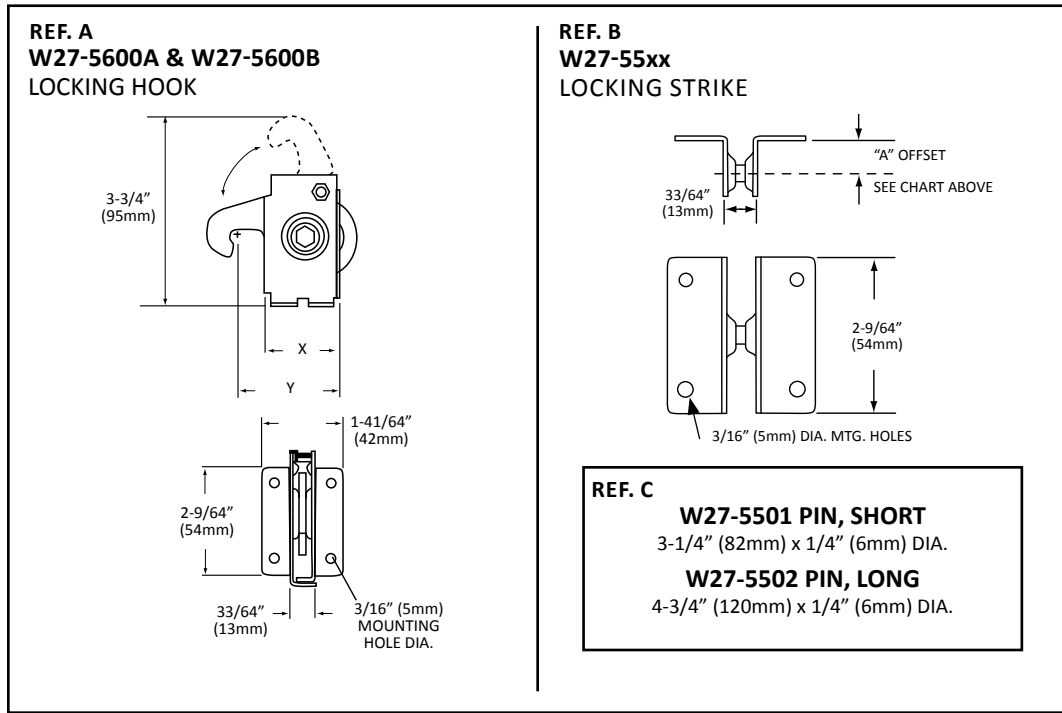
**MODEL NO.**  
**W27-5600A & W27-5600B**  
**LOCKING HOOK**

MODEL NO.	X	Y
W27-5600A	1-7/16" (37mm)	1-31/32" (50mm)
W27-5600B	1-7/16" (37mm)	2-11/32" (60mm)

- Zinc plated
- Ideal for wood, high density rail or metal frame construction
- Stamped holes provided for easy mounting with staple, screw or nails
  - Heavy-duty steel housing
- Assorted offset strike assemblies or strike pins available
  - Economical

**MODEL NO.**  
**W27-55 SERIES**  
**LOCKING STRIKE**

MODEL NO.	"A" OFFSET
W27-5550	1/2" (13mm)
W27-5562	5/8" (16mm)
W27-5568	11/16" (17mm)
W27-5575	3/4" (19mm)
W27-5581	13/16" (21mm)





## ACCESSORIES FOR WALK-IN REFRIGERATION & FREEZERS

REF. A

### CAULKING GUN

For Use with  
10.3 oz (305ml) cartridges

**MODEL NO. Q99-1000**

REF. B

### SILICONE SEALER

- Fits all standard caulking guns
  - F.D.A. APPROVED
  - U.L. RECOGNIZED
- MEETS F.D.A. EXTRACTION REQUIREMENT
- Silicone Sealant 10.3 oz (305ml) cartridge
  - Supplied with removable tip



MODEL NO.	COLOR	MAXIMUM SERVICE TEMP.
M90-1010	Clear	400°F (232°C)
M90-1012	Aluminum	400°F (232°C)

Sold in case quantities – 12 tubes per case

REF. D

### SNAP-IN FINISHING CAP

**MODEL NO. W27-0002-C**

- 3/4" diameter
- Max hole diameter 49/64"
- Grey polyethylene
- For use with W27 series panel fastener
- Covers wrench holes for clean appearance

REF. E

### SNAP-ON MOULDING

- Stainless steel cover with galvanized back plate
- Ideal for use as a back-up plate for gaskets around door jam

MODEL NO.	WIDTH
J60-2220*	1/2" (13mm)
J60-2240	3/4" (19mm)
J60-2260	1" (25mm)
J60-2270	1-1/4" (32mm)
J60-2320*	2" (51mm)

12 FT. (3657mm) LENGTHS \*NON-STOCK ITEM AVAILABLE ON APPLICATION SPECIAL LENGTHS AVAILABLE UPON REQUEST

REF. C

### HEX WRENCH

**MODEL NO. W27-0001-C**  
**MODEL NO. W27-0001-CTS\***

\*Hex wrench with rubber sleeve

- 6" x 6" (152mm x 152mm)
  - Hardened steel
- For use with W27 series panel fasteners
- Readily replaces competitors' wrenches

## HOT SIDE APPLICATIONS



Recessed Mount  
LED Exhaust Hood Light



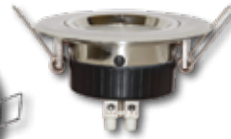
Recessed Mount  
Dimmable LED Down Light



Surface Mount  
LED Exhaust Hood Light



Recessed Mount  
LED Perimeter Light



## COLD SIDE APPLICATIONS



LED Vapor-Tight Strip Light



Dimmable, Linkable  
LED Display Light



6W LED A19 Filament  
Appliance Bulb



LED Appliance Bulb



4W LED E17 Tubular Filament  
Appliance Bulb

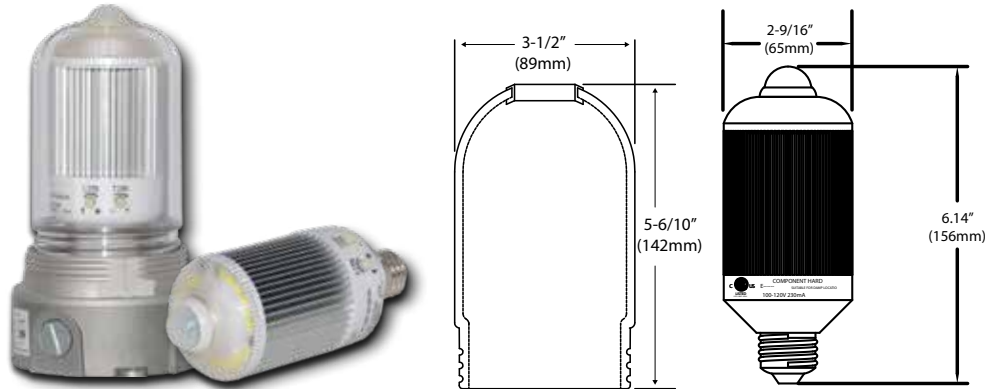


LED Motion Sensor Light

COOLER/FREEZER LED BULBS	D98	ROUND RECESSED DIMMABLE LED DOWN LIGHT	D107
COOLER/FREEZER LED FIXTURES	D99	RECESSED MOUNT LED HOOD LIGHTS	D108-D109
DIMMABLE LED DISPLAY LIGHTS	D100	RECESSED MOUNT FLUORESCENT AND INCANDESCENT LIGHTS	D110
LOW VOLTAGE LED DISPLAY LIGHTS	D101	SURFACE MOUNT LED HOOD LIGHTS	D111
LED COOLER/FREEZER LIGHTS	D102-D103	SURFACE MOUNT HOOD LIGHT FIXTURES	D112
FLUORESCENT COOLER/FREEZER LIGHTS	D104	HOOD LIGHT ACCESSORIES	D113
SURFACE MOUNT INCANDESCENT LIGHT FIXTURES AND ACCESSORIES	D105	ELECTRICAL OUTLETS COMPONENTS	D114-D115
INCANDESCENT REFRIGERATOR LIGHTS AND ACCESSORIES	D106		

# Cooler/Freezer LED Bulbs

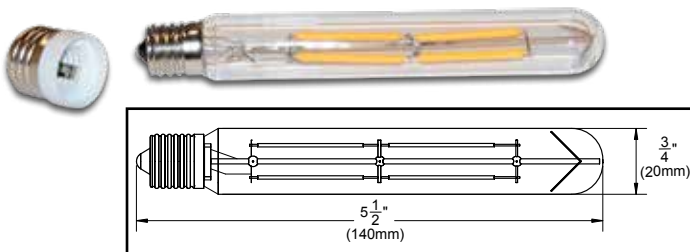
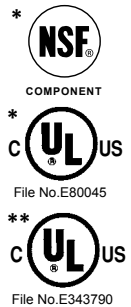
- COMPONENT HARDWARE LEDS ARE TYPICALLY RATED FOR 50,000 HOUR LIFE – 50X STANDARD INCANDESCENT BULB
- INSTANT-ON • NO ULTRAVIOLET EMISSION • HACCP COMPLIANT – LED LIGHTING RUNS COOLER THAN OLD INCANDESCENT AND FLUORESCENT FIXTURES, HELPING YOU TO BETTER CONTROL FOOD TEMPERATURES IN YOUR REFRIGERATORS/COOLERS/FREEZERS. IN ADDITION, LED LIGHTS DO NOT CONTAIN HARMFUL MERCURY, LIKE FLUORESCENT FIXTURES, ELIMINATING A POTENTIAL CHEMICAL HAZARD IN YOUR WORKPLACE.



## LED MOTION SENSOR LIGHT FOR WALK-IN REFRIGERATION

- Replaces inefficient incandescent bulbs; low wattage for fast payback • Instant-on; no ballast to warm up; no buzzing or flickering
- Rated for 50,000 hour life • Mercury-free • Exceeds Federal Energy Act requirement • Unbreakable polycarbonate enclosure
- No ultraviolet emission; will not attract insects • Simply screw in to existing fixture – no adapter required • Fits any A19/E26/E27 fixture
- Adjustable time delay cycle from 5 seconds to 2 minutes • Ideal for any infrequently used area - walk-in coolers & freezers, dry storage areas, closets, stairways • 140° beam angle floods workspace with light • 100-120 VAC, 50/60Hz

MODEL NO.	WATTS	LUMENS	KELVINS	OPERATING TEMP	DESCRIPTION
LED-321420C	18	2000	6000	-4°F to 140°F (-20°C to 60°C)	Bulb with Globe
LED-321420W		1600	3000		
VXS-LED-PC20C*	18	2000	6000		Complete Fixture with Bulb & Globe
VXS-LED-PC20W		1600	3000		
LED-321420C-B**	18		6000		Replacement Bulb, Cool White
LED-321420W-B**			3000		Replacement Bulb, Warm White



## 4W LED TUBULAR FILAMENT APPLIANCE BULB WITH E17 INTERMEDIATE BASE

- Lumens comparable to 40W incandescent bulb • Operating temperature: -4°F to 140°F • Clear glass lens • For use in dry or damp locations
- Warm white color • 25,000 hour rated service life

MODEL NO.	LENGTH	LUMENS	KELVINS	VAC
LED-TB40-T6-W	5-1/2" (140mm)	435	2800	120
LED-TB40-T6A-W				230
LED-E26E17ADPT	Optional Adapter to Change to E26 Medium Base			



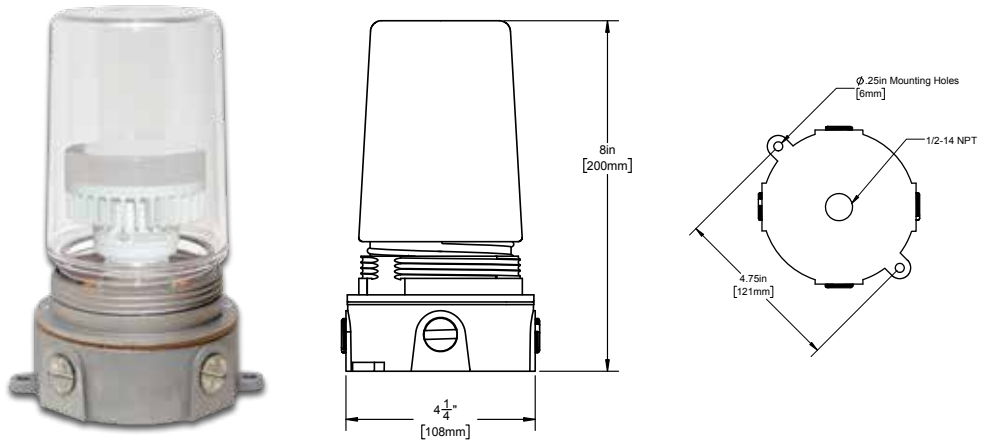
## 6W LED A19 FILAMENT APPLIANCE BULB

- Lumens comparable to 60W incandescent bulb • Operating temperature: -22°F to 140°F • IP-65 rated • Cool white color • 25,000 hour rated service life

MODEL NO.	DESCRIPTION	LUMENS	KELVINS	VAC
LED-FL60-CL-C	Cool White, Clear Glass	650	6000	120
LED-FL60-ML-C	Cool White, Milky Glass	605		







## LED LIGHT FOR WALK-IN REFRIGERATION

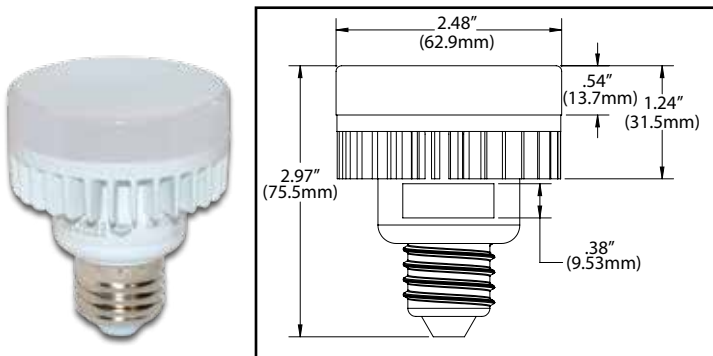
- Replaces inefficient incandescent bulbs • 1100 lumens comparable to 75W incandescent bulb and uses 85% less energy • Simply screw in to existing fixture – no adapter required • Fits any A19/E26/E27 fixture • Suitable for damp locations • 120° beam angle floods interior with light • Mercury-free • Rated for 50,000 hour life • Instant on - no ballast to warm up • No buzzing or flickering • Impact resistant polycarbonate globe • 120-277VAC 50/60HZ • 100mA

MODEL NO.	WATTS	LUMENS	KELVINS	OPERATING TEMP	DESCRIPTION
VXS-LEDN10PC	10	1100	5000	-4°F to 105°F (-20°C to 41°C)	Complete Fixture with Bulb and Globe



## LED APPLIANCE BULB AND FIXTURE FOR REACH-IN REFRIGERATOR APPLICATIONS

- Replaces inefficient incandescent bulbs • 800 lumens (comparable to 60W incandescent) • 1100 lumens (comparable to 75W incandescent) • Simply screw in to existing fixture – no adapter required • Fits any A19/E26/E27 fixture • Suitable for damp locations • 120° beam angle floods interior with light • Mercury-free
  - Rated for 50,000 hour life • Instant on - no ballast to warm up • No buzzing or flickering • Impact resistant polycarbonate lens • 100-277VAC 50/60HZ • 100mA • Operating Temperature: -4°F (-20°C) to 105°F (41°C)

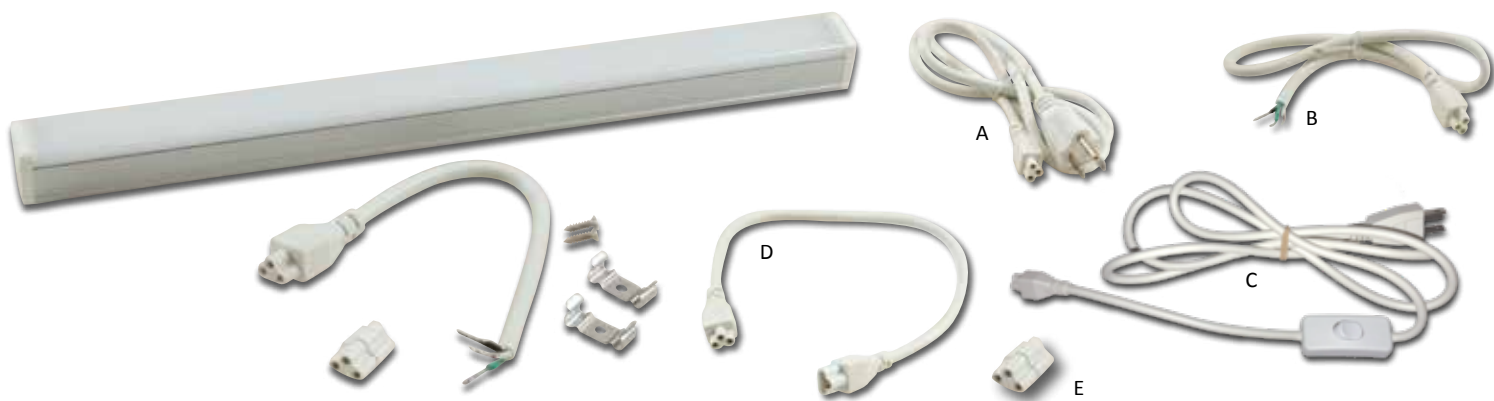


MODEL NO.	WATTS	LUMENS	COLOR TEMP	COLOR RENDERING INDEX
LED-PK100DD-C	10	800	Cool White 6500	Ra>80
LED-PK100DD-N		1100	Natural White 5000	

MODEL NO.	DESCRIPTION
L20-1010-CL	Fixture Only with Clear Globe
L20-1010-N	Fixture Only with Milky Globe
L20-1010-L07C	Fixture with Cool White Bulb and Milky Globe



# Dimmable LED Display Lights



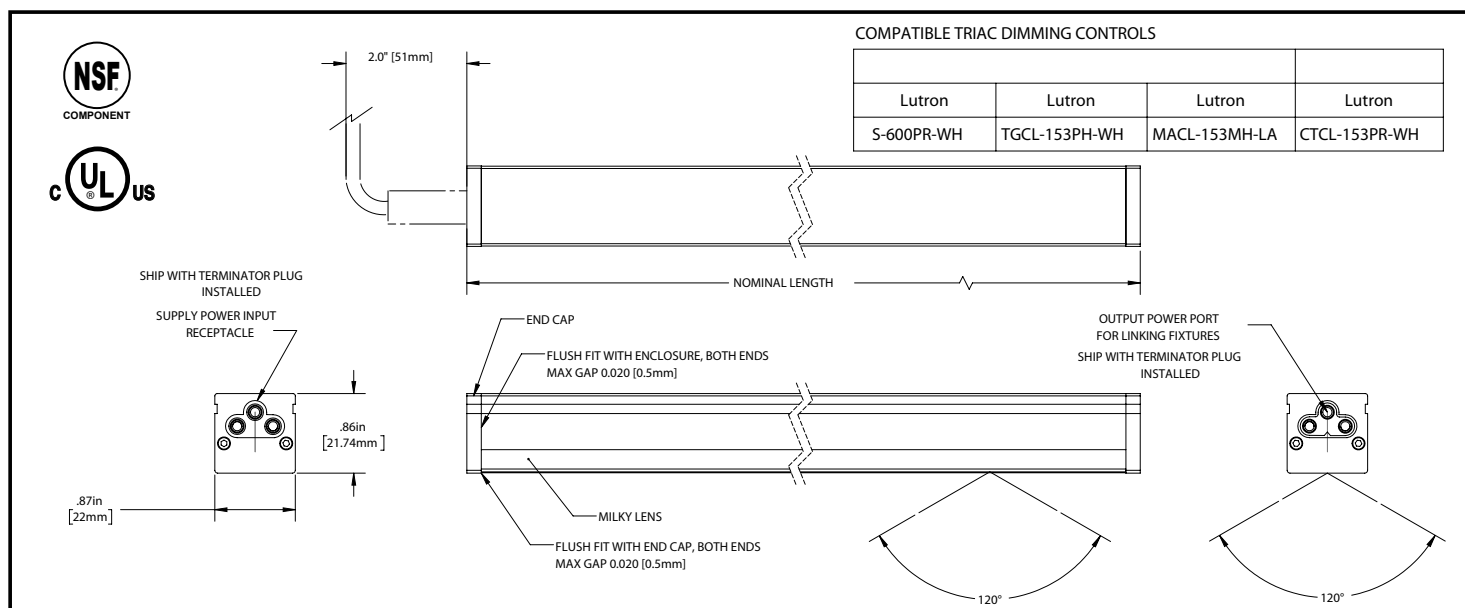
## DIMMABLE, LINKABLE LED LIGHT FOR REFRIGERATED AND AMBIENT APPLICATIONS

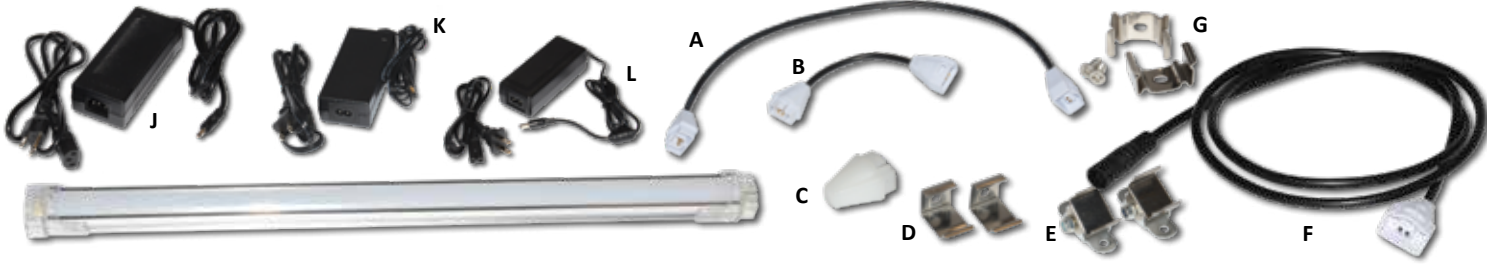
- Lights are compatible with standard TRIAC dimmer controls for LED lighting that are available from most electrical wholesalers – not sold by Component Hardware
- 60-foot maximum linkable length of combined fixtures
- Can be connected using various length linking cables or direct linking connectors
- Operating temperature from -4°F to 105°F (-20°C to 40°C)
- cULus listed for use in damp locations
- Aluminum alloy housing with polycarbonate cover and end caps
- Instant-on, no ballast to warm up
- Super slim, easy to install
- 50,000+ hours rated life; reduces landfill waste; lowers maintenance costs
- Exceeds Federal Energy Act requirement
- Contributes to LEED® energy use reduction credits
  - No ultraviolet emission; does not attract insects
  - LEDs emit little heat into refrigerated space

### Accessories

REF.	MODEL NO.	DESCRIPTION
A	LED-RB-X110	36" (914mm) Long AC Power Cord with 3 Prong Plug
A	LED-RB-X112	48" (1219mm) Long AC Power Cord with 3 Prong Plug
A	LED-RB-X115	72" (1829mm) Long AC Power Cord with 3 Prong Plug
B	LED-RB-X150	18" (457mm) Long AC Power Supply Cord with Tinned Leads
B	LED-RB-X155	36" (914mm) Long AC Power Supply Cord with Tinned Leads
B	LED-RB-X160	72" (1829mm) Long AC Power Supply Cord with Tinned Leads
C	LED-RB-X170	65" (1651mm) Long AC Power Supply Cord with 3A Rated In-Line Switch and a 3 Prong Plug
D	LED-RB-X206	6" (152mm) Linking Cable
D	LED-RB-X212	12" (305mm) Linking Cable
D	LED-RB-X218	18" (457mm) Linking Cable
D	LED-RB-X224	24" (610mm) Linking Cable
D	LED-RB-X236	36" (914mm) Linking Cable
D	LED-RB-X270	70" (1178mm) Linking Cable
E	LED-RB-X300	Linking Connector
N/A	LED-RB-X200	Rotary Mounting Bracket
N/A	LED-RB-X500	Rotary Mounting Bracket with Magnet
N/A	LED-RB-X501	Stationary Mounting Bracket

MODEL NO.	NOMINAL LENGTH (L)	INITIAL LUMENS	CURRENT CONSUMPTION	WATTS
LED-RB08-DIM-x	8" (203mm)	280	35mA	4
LED-RB12-DIM-x	12" (305mm)	490	45mA	6
LED-RB18-DIM-x	18" (457mm)	650	75mA	9
LED-RB24-DIM-x	24" (610mm)	880	100mA	12
LED-RB30-DIM-x	30" (762mm)	1070	130mA	15
LED-RB36-DIM-x	36" (915mm)	1280	150mA	18
LED-RB48-DIM-x	48" (1220mm)	1700	180mA	23





## ULTRA SLIM LINKABLE LED LIGHTS FOR REFRIGERATED AND AMBIENT APPLICATIONS

- Operating temperature from -4°F to 105°F (-20°C to 40°C) • Operated by 24VDC low voltage drives • LED lamps emit little heat into refrigerated space
- Aluminum alloy housing with polycarbonate cover and end caps • All lights to be operated by remote driver (cables and driver sold separately) • Maximum connection length of fixtures is 20' (6m) • Lights can be linked directly together or with linking cable • Supplied with metal mounting clips and zinc plated steel flat head screws
- 50,000+ hours rated life; reduces landfill waste; lowers maintenance costs • No ultraviolet emission; does not attract insects • Mercury-free
- Contributes to LEED® energy use reduction credits • Exceeds Federal Energy Act requirement • ETL listed

### SPECIFICATIONS

MODEL NO.	ACTUAL LENGTH (L)	INITIAL LUMENS	CURRENT CONSUMPTION	WATTS
LED-RR12-x	11.8" (300mm)	350	160mA	4
LED-RR18-x	17.7" (450mm)	540	250mA	6
LED-RR20-x	19.7" (500mm)	610	290mA	7
LED-RR30-x	30.5" (775mm)	790	375mA	10
LED-RR35-x	35.8" (910mm)	920	458mA	12
LED-RR40-x	39.4" (1000mm)	1040	540mA	13
LED-RR48-x	47.2" (1200mm)	1440	660mA	16

### DRIVERS

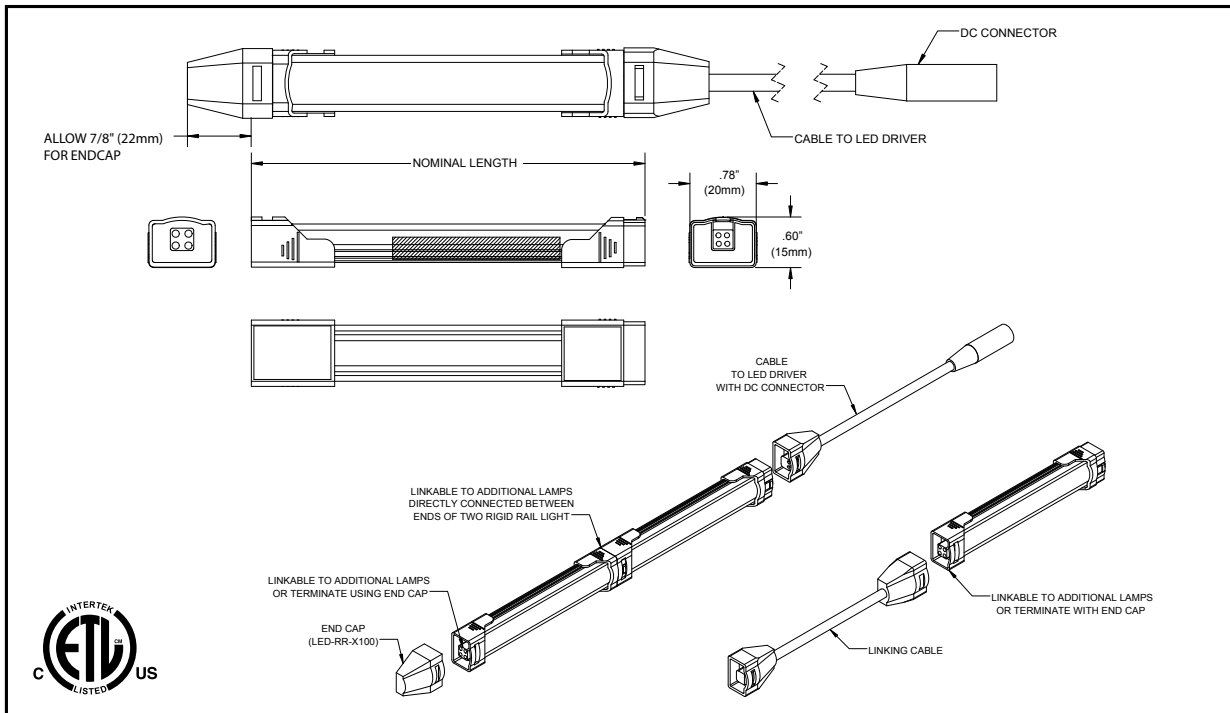
REF.	MODEL NO.	INPUT VOLTAGE	AMPERAGE	OUTPUT	MAX FIXTURES	CORD LENGTH
J	LED-RR-402	100 - 240VAC	4.0	96W	19 ft	48" Input/Output
K	LED-RR-401	100 - 240VAC	2.5	60W	12 ft	48" Input, 70" Output
L	LED-RR-400	100 - 240VAC	1.5	36W	7 ft	70" Output

### REF. ACCESSORIES

A	LED-RR-X112	12" (305mm) Linking Cable
A	LED-RR-X139	39" (991mm) Linking Cable
B	LED-RR-X103	3" (76mm) Linking Cable
C	LED-RR-X100	End Cap to Terminate Last Fixture
D	LED-RR-X303	(2) Mounting Clips for 30° Mounting Angle
D	LED-RR-X304	(2) Mounting Clips for 45° Mounting Angle
E	LED-RR-X305	(2) Mounting Clips for Rotary Mounting
F	LED-RR-X201	12" (305mm) Cable from Rigid Bar to LED Driver w/DC Connector
F	LED-RR-X202	39" (991mm) Cable from Rigid Bar to LED Driver w/DC Connector
-	LED-RR-X203	12" (305mm) Cable from Rigid Bar to LED Driver w/Flying Leads
-	LED-RR-X204	39" (991mm) Cable from Rigid Bar to LED Driver w/Flying Leads
G	LED-RR-X302	(2) Mounting Clips Parallel to Mounting Surface (included)

"x" designates color temperature:

- C (Cool White) 6000K
- N (Natural White) 4000K
- W (Warm White) 3000K

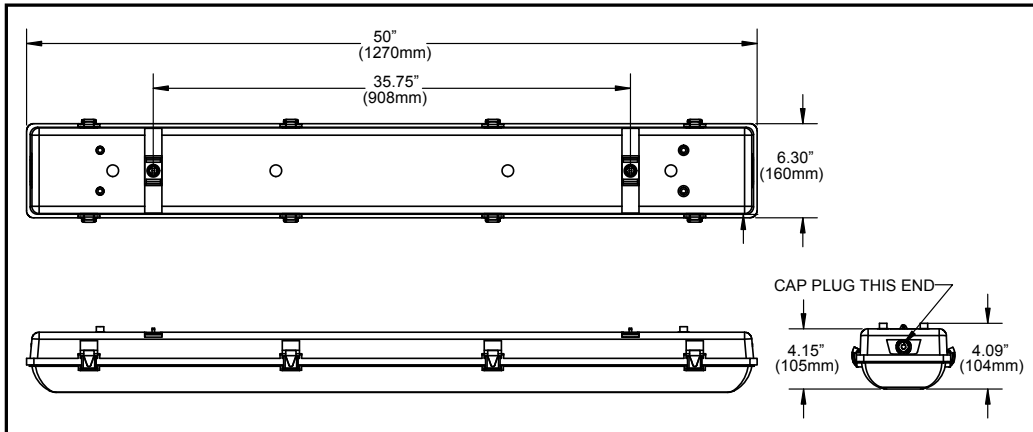




## LED SURFACE MOUNT VAPOR-TIGHT STRIP LIGHT FIXTURE FOR WALK-IN COOLERS & FREEZERS

- Color temperature is 5000° Kelvins • Natural white • 100 - 277 VAC • 50/60Hz • LED strips reject little heat into refrigerated space
- Corrosion-free, high impact reinforced polycarbonate housing • Instant on even in freezers; no ballast to warm up • Rated IP-65 for damp and wet locations
  - Operating Temp: -40°F to 122°F (-40°C to 50°C) • Mercury-free • 50,000+ hours rated life; reduces landfill waste; lowers maintenance costs
  - Strips and driver replaceable without tools • Exceeds Federal Energy Act requirement • Contributes to LEED® energy use reduction credits
    - Molded acrylic ribbed diffuser disperses light evenly in a wide range

MODEL NO.	LENS	WATTS	LUMENS	LUMENS PER WATT
LED48X754-CL-N	Clear	50	7500	150
LED48X754-ML-N	Milky		6400	130



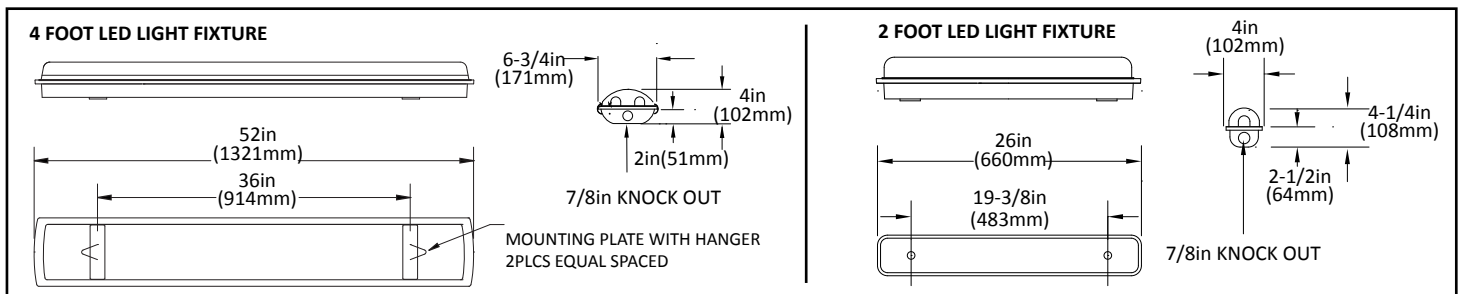


## LED SURFACE MOUNT VAPOR-TIGHT BULB TYPE LIGHT FIXTURES FOR COOLER/FREEZER APPLICATIONS

- Designed for use with removable LED lamps • Resilient, one-piece silicone gasket rated IP-65 for damp & wet locations • Superior highly-polished aluminum reflector improves light output • Low profile design • Corrosion-free, high impact polycarbonate housing • Clear, high impact polycarbonate lens with ribs for maximum light dispersion • Supplied with NEC-approved luminaire disconnects • Provided with stainless steel mounting hardware and European Type PG-16 conduit connector • Bulb life rated 50,000 + hours • Operating temperature range -13°F to 104°F (-25°C to 40°C)

D

MODEL NO.	LED LIGHT-COMPLETE	RATED VOLTAGE	AMPS	WATTS	COLOR	INITIAL LUMENS	KELVINS	REPLACEMENT LAMP
<b>4 FOOT LED LIGHT FIXTURE WITH (2) LAMPS</b>								
LED48X62221W	48" (1219mm), (2) 22W LAMPS, 120V				Warm White	3000	3000K - 3500K	LED-212122W
LED48X62221N	48" (1219mm), (2) 22W LAMPS, 120V	120-240VAC	0.44	44	Natural White	3250	4000K - 4500K	LED-212122N
LED48X62221C	48" (1219mm), (2) 22W LAMPS, 120V				Cool White	3470	6000K - 6500K	LED-212122C
LED48X6218C	48" (1219mm), (2) 18W LAMPS, 120-277V	120V	0.38	36	White	2894	6000K - 6500K	LED-212018-C



## LED TUBULAR REPLACEMENT BULBS



MODEL NO.	DESCRIPTION
LED-212009C	9W Tubular LED Bulb, 2-Ft, Cool White, T9 Bi-Pin, 120V, 60Hz
LED-212122C	22W Tubular LED Bulb, 4-Ft, Cool White, T8 Bi-Pin, 120V, 60Hz
LED-212122N	22W Tubular LED Bulb, 4-Ft, Natural White, T8 Bi-Pin, 120V, 60Hz
LED-212122W	22W Tubular LED Bulb, 4-Ft, Warm White, T8 Bi-Pin, 120V, 60Hz
LED-212018-C	18W Tubular LED Bulb, 4-Ft, Cool White, T8 Bi-Pin, 120V, 60Hz

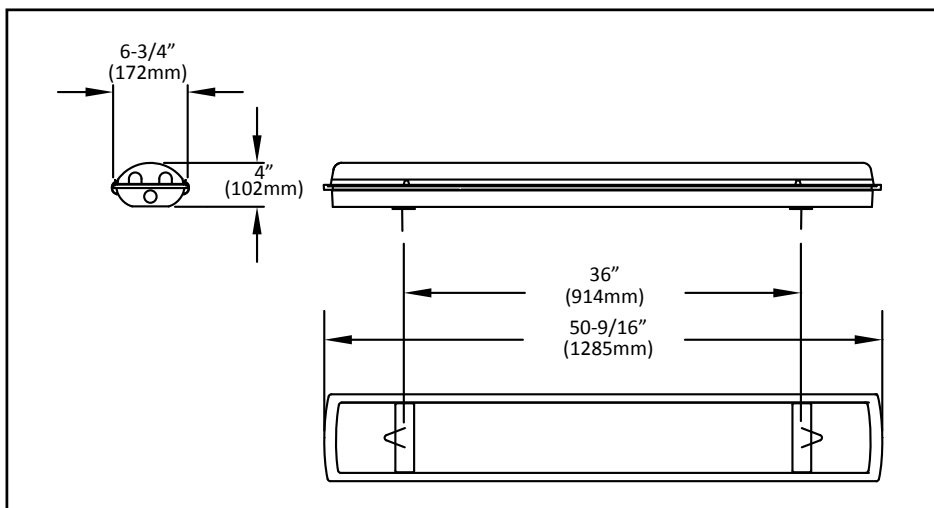
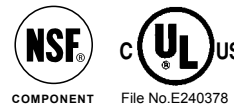


## ECONOMICAL LOW PROFILE FLUORESCENT COOLER-FREEZER LIGHT FIXTURES

- Energy efficient high power factor T-5 HO electronic ballasts reduce operating costs and power consumption
- Light fixtures generate less heat, reducing the cost to maintain low operating temperatures
- Minimum operating temperature for freezer applications is 0°F (-18°C) for the T5 ballast
- Resilient, one piece silicone gasket rated IP-65 for damp and wet locations
- Superior highly-polished reflector improves light output
- Corrosion free high impact polycarbonate housing
- Clear, high impact polycarbonate lens
- Supplied with NEC approved luminaire disconnects
- Provided with stainless steel mounting hardware and European Type PG-16 conduit connector

MODEL NO.	LAMPS	VOLTAGE
CFL-36U54X2T5	(2EA.) F54T5HO	UNV= 120 -277V, 50-60 Hz

NOTE: LAMPS NOT PROVIDED- REPLACEMENT BULBS AVAILABLE, ORDER AS CFL-5EH54W841





## VXS SERIES SURFACE MOUNT INCANDESCENT REFRIGERATION LIGHTING FIXTURE

• Suitable for damp locations • Enclosed and gasketed



UL MODEL NO.	CSA MODEL NO.	DESCRIPTION
VXS-100-GL (NSF LISTED)	VXS-CSA-GL	Furnished w/ Glass Globe
VXS-100-PX (NSF LISTED)	VXS-CSA-PX	Furnished w/ Plastic Coated Glass Globe
VXS-100-PC (NSF LISTED)	VXS-CSA-PC	Furnished w/ Polycarbonate Globe
VXS-100-GL-WG	VXS-CSA-GL-WG	Furnished w/ Glass Globe and Wire Guard
VXS-100-PX-WG	VXS-CSA-PX-WG	Furnished w/ Plastic Coated Glass Globe and Wire Guard

### SPECIFICATIONS

<b>FIXTURE BODY:</b>	Die cast aluminum
<b>JUNCTION BOX:</b>	Die cast aluminum
<b>SOCKET:</b>	Porcelain body with copper shell
<b>WATTAGE:</b>	Accepts standard 100 watt A19 bulb (not furnished)
<b>VOLTAGE:</b>	Rated up to 120 volts
<b>GASKETS:</b>	Cork and composition fiber
<b>GLOBE:</b>	Clear lime glass or clear plastic coated lime glass or clear impact resistant polycarbonate
<b>WIRE GUARD:</b>	Plated steel
<b>CONDUIT ENTRY:</b>	1/2" NPS (4) side openings and (1) top



D



### VXS SERIES REPLACEMENT PARTS

REF.	MODEL NO.	DESCRIPTION
A	L10-X006	Globe, Clear Glass
B	L10-X007	Globe, Clear Plastic Coated Glass
C	L10-X008	Globe, Clear Polycarbonate
D	L10-X020	Wire Guard
E	L10-X026	Porcelain Socket Complete with Copper Shell
F	L10-Y005	Junction Box Complete with (4) 1/2" NPS Conduit Openings and Threaded Plugs
G	L10-Y010	Junction Box Assembly Complete with Lamp Housing
H	L10-Y016	Lamp Housing Complete with Porcelain Socket and Requires Gaskets



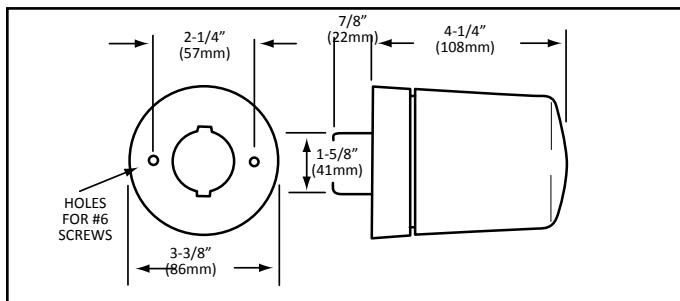


## REFRIGERATION LIGHT FIXTURE

- Specifically designed for reach-in refrigerators and smartly styled
- Accommodates a 40W max incandescent bulb\* or a 15W max LED bulb\*\*

MODEL NO.	DESCRIPTION	REPLACEMENT GLOBE
L20-1010*	Complete Fixture with Clear Globe	L20-X004-CL
L20-1010-CL**	Complete Fixture with Clear Globe	L20-X004-CL
L20-1010-CSA*	Complete Fixture For CSA Applications	
L20-1010-N**	Complete Fixture with Milky Globe	L20-X004

Note: Bulb not included



### SPECIFICATIONS:

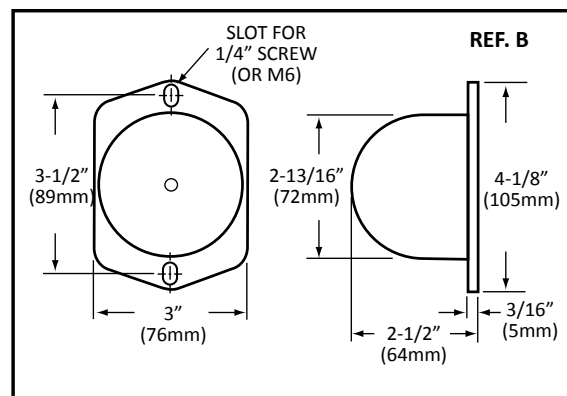
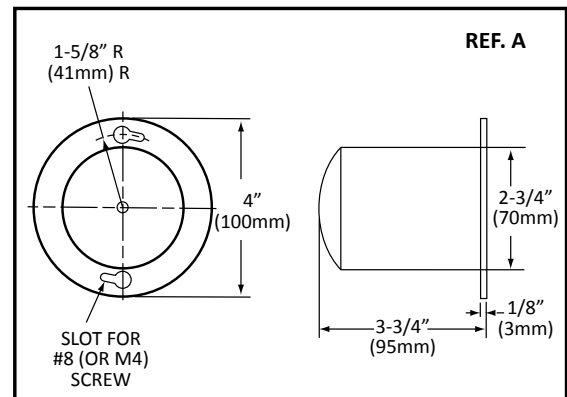
- HOUSING:** Die cast aluminum with #4 satin finish  
**GLOBE:** Impact resistant clear polycarbonate  
**SOCKET:** Porcelain (snap-in type) furnished with wire leads & ground 1/4" (6mm) spade terminals available upon request.  
 Mtg. surface requires 1-3/4" (45mm) holes for back of lamp holder



## LITE-GUARD PLASTIC BULB PROTECTORS

- Transparent • Impact resistant polycarbonate • Non-toxic
- Provides maximum protection for 40 watt appliance bulbs in reach-in refrigerators and freezers • Lite-guard is unaffected by low temperature and will not stain or discolor when in contact with food acids

REF.	MODEL NO.	DESCRIPTION
A	L20-2778	Bulb Guard, Large
B	L20-2779	Bulb Guard, Small



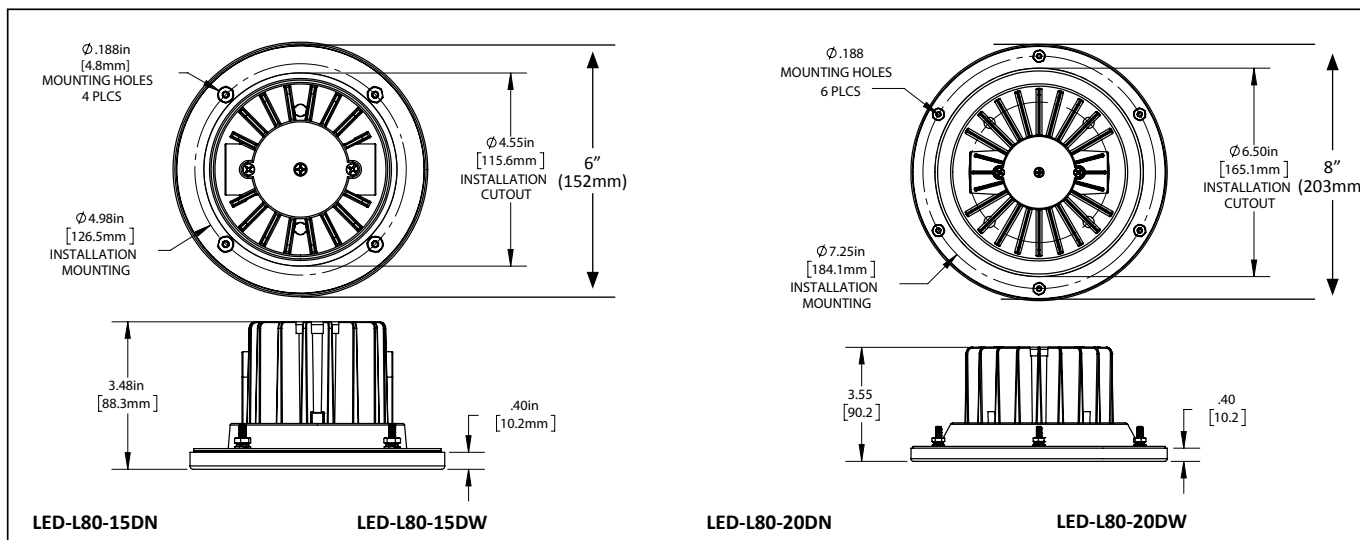
# Round Recessed Dimmable LED Down Light



## ROUND RECESSED DIMMABLE LED DOWN LIGHT

- Energy efficient - saves up to 85% energy consumption as compared to a standard 100W incandescent light
- May be wired with a dimmer switch to control ideal lighting conditions at the work surface
- 50,000 hour service life – 50 times longer than a standard 100W incandescent bulb
- Rated to a maximum operating temperature of 80°C (176°F)
- Passivated aluminum heat sink effectively dissipates heat to prolong the life of the LEDs and on-board driver
- Suitable for use in commercial cooking hoods
- Suitable for use in wet or dry locations
- Designed for easy installation
- Furnished with tempered glass lens and stainless steel frame

MODEL NO.	COLOR TEMP	WATTS	LUMENS	SIZE
LED-L80-15DN	Natural	15	1350	6"
LED-L80-15DW	Warm		1250	
LED-L80-20DN	Natural	20	1800	8"
LED-L80-20DW	Warm		1700	



### SPECIFICATIONS:

Wattage: 15W  
 Voltage: 120 VAC, 60 Hz  
 Amperage: 0.13A  
 Initial Lumens: 1350  
 Efficacy: 90 Lumens/Watt  
 CRI: > 80  
 Beam Angle: 97°  
 Color Temp +/- 175: 3985  
 Flammability Rating: VW-1(UL), FT1(CSA)  
 Overall Size: 6" Dia. X 3.48" H  
 Driver: Driver-on-Board, 15W  
 Ports: 2 each (1/2"-14 NPT)  
 Operating Temp Range: 32°F - 176°F (0°C - 80°C)  
 Dimmable: 0-10 V Dimmer (not included)  
 Lens Cover: Tempered Glass and Stainless Steel  
 Warranty: 5 years



### SPECIFICATIONS:

Wattage: 15W  
 Voltage: 120 VAC, 60 Hz  
 Amperage: 0.13A  
 Initial Lumens: 1250  
 Efficacy: 83 Lumens/Watt  
 CRI: > 80  
 Beam Angle: 95°  
 Color Temp +/- 175: 3045  
 Flammability Rating: VW-1(UL), FT1(CSA)  
 Overall Size: 6" Dia. X 3.48" H  
 Driver: Driver-on-Board, 15W  
 Ports: 2 each (1/2"-14 NPT)  
 Operating Temp Range: 32°F - 176°F (0°C - 80°C)  
 Dimmable: 0-10 V Dimmer (not included)  
 Lens Cover: Tempered Glass and Stainless Steel  
 Warranty: 5 years



### SPECIFICATIONS:

Wattage: 20W  
 Voltage: 120 VAC, 60 Hz  
 Amperage: 0.17A  
 Initial Lumens: 1800  
 Efficacy: 90 Lumens/Watt  
 CRI: > 80  
 Beam Angle: 106°  
 Color Temp +/- 175: 3985  
 Flammability Rating: VW-1(UL), FT1(CSA)  
 Overall Size: 7.99" Dia. X 3.56" H  
 Driver: Driver-on-Board, 20W  
 Ports: 2 each (1/2"-14 NPT)  
 Operating Temp Range: 32°F - 176°F (0°C - 80°C)  
 Dimmable: 0-10 V Dimmer (not included)  
 Lens Cover: Tempered Glass and Stainless Steel  
 Warranty: 5 years



### SPECIFICATIONS:

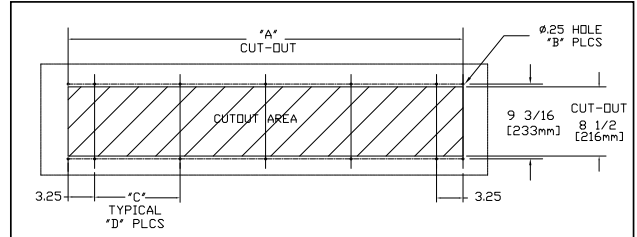
Wattage: 20W  
 Voltage: 120 VAC, 60 Hz  
 Amperage: 0.17A  
 Initial Lumens: 1700  
 Efficacy: 85 Lumens/Watt  
 CRI: > 80  
 Beam Angle: 106°  
 Color Temp +/- 175: 3045  
 Flammability Rating: VW-1(UL), FT1(CSA)  
 Overall Size: 7.99" Dia. X 3.56" H  
 Driver: Driver-on-Board, 20W  
 Ports: 2 each (1/2"-14 NPT)  
 Operating Temp Range: 32°F - 176°F (0°C - 80°C)  
 Dimmable: 0-10 V Dimmer (not included)  
 Lens Cover: Tempered Glass and Stainless Steel  
 Warranty: 5 years



# Recessed Mount LED Hood Lights

## LED COMPLETE LIGHT FIXTURES AND RETRO-FIT KITS FOR EXHAUST KITCHEN HOODS

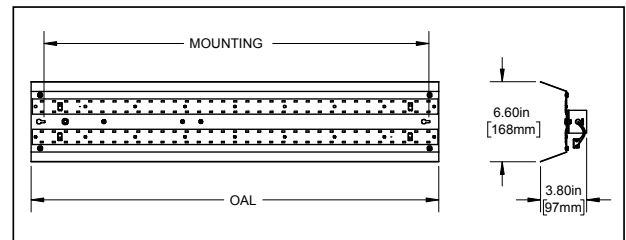
- Listed for up to 75°C (167°F) operation • 100 - 277VAC • Color Rendering Index > 80 • Meets all requirements of NFPA 96 and NEC 410
- LED lamps contain no mercury or other hazardous materials • Contributes to LEED® energy use reduction credits • 50,000 hour lamp life
- Highest efficacy per watt (100 lumens/watt) available - Exceeds Federal Energy Act requirements • Instant on, no ballast to warm up
- No ultraviolet rays: Does not attract insects • Current: 0.25A @ 120VAC



### LED-L82 SERIES

- Listed for up to 75°C (167°F) operation • Highest efficacy (lumens/watt) available • Only 4-1/4" high for limited clearance applications
- Color Rendering Index > 80 • Instant on, no ballast to warm up • Recess mount installation • One piece satin finish stainless steel trim
- Tempered, prismatic glass diffuser • No ultraviolet rays • 50,000 hour service life • Low profile, only 4-1/4" high

MODEL NO.	COLOR TEMP	WATT	LUMENS/WATT	KELVINS	TOTAL LIGHT OUTPUT	CURRENT	OVERALL TRIM SIZE	"A" CUT OUT	"B" HOLES	"C" SPACING	"D" EACH SIDE
LED-L82-1030-40N	Natural	43	>72	4000	4228	0.43-0.16A @	10-1/4" x 38-1/4" (260mm x 972mm)	36-1/2" (927mm)	14 total	7-1/2" (191mm)	4 places
LED-L82-1030-40W	Warm			3000	4135	100-277VAC					
LED-L82-1040-50N	Natural	53	>72	4000	4925	0.53-0.19A @	10-1/4" x 50-1/4" (260mm x 61276mm)	48-1/2" (1232mm)		10-1/2" (267mm)	
LED-L82-1040-50W	Warm			3000	4877	100-277VAC					



### LED-L82 RETROFIT KITS

- Easily convert older L82 Series fluorescent or bulb-style LED fixtures to LED strip technology for improved performance and energy savings
- 100-277 VAC • 50/60Hz • Listed for up to 75°C (167°F) operation • 50,000 hour service life

MODEL NO.	COLOR TEMP	WATT	KELVINS	CURRENT	MOUNTING	OAL
LED-L82-RF1030-40N	Natural	43	4000	0.43-0.16A @	31.75" (807mm)	33.62" (854mm)
LED-L82-RF1030-40W	Warm		3000	100-277VAC		
LED-L82-RF1040-50N	Natural	53	4000	0.53-0.19A @	43.75" (1111mm)	45.62" (1159mm)
LED-L82-RF1040-50W	Warm		3000	100-277VAC		





## LED-L87 SERIES

- Listed for up to 75°C (167°F) operation • Highest efficacy (96 lumens/watt) available • Instant on, no ballast to warm up
- Color Rendering Index > 80 • Recess mount installation
- Only 6" high for limited clearance applications • One piece satin finish stainless steel trim matches hood interior \* 100-277 VAC
- Tempered, prismatic glass diffuser • 5 year warranty

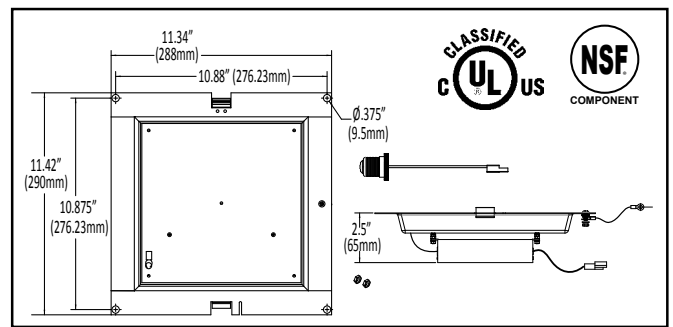
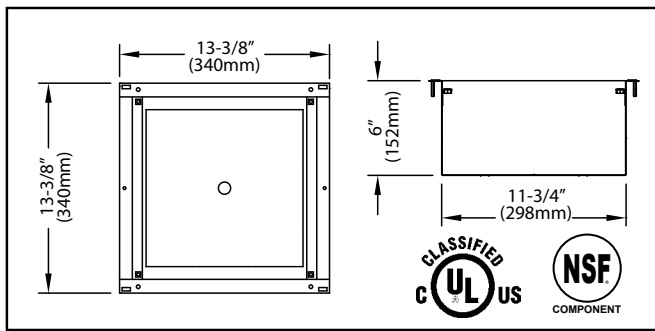
MODEL NO.	MTG STUDS	COLOR TEMP	WATT	KELVINS	TOTAL LIGHT OUTPUT
LED-L87-1004-30N	4	Natural	30	4000	2880 Lumens
LED-L87-1008-30N	8			3000	
LED-L87-1004-30W	4	Warm	30	4000	2880 Lumens
LED-L87-1008-30W	8			3000	



## LED-L87 RETROFIT KITS

- Easily convert older L87 Series fluorescent or bulb-style LED fixtures to LED strip technology for improved performance and energy savings
- 109 lumens per watt • Listed up to 75°C operation • 100-277 VAC

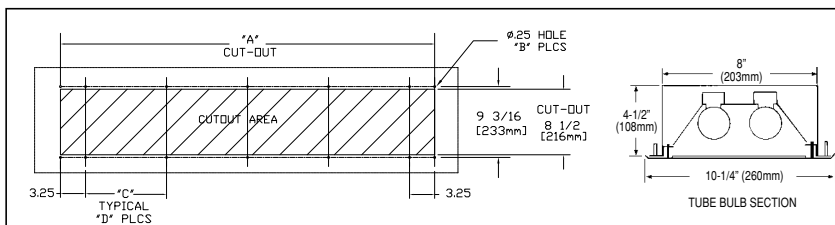
MODEL NO.	MTG STUDS	COLOR TEMP	WATT	KELVINS	TOTAL LIGHT OUTPUT
LED-L87-1030N	4	Natural	30	4000	3800 Lumens
LED-L87-1030W		Warm		3000	



## LED TUBULAR BULB STYLE RECESSED LIGHT FIXTURES FOR KITCHEN EXHAUST HOODS

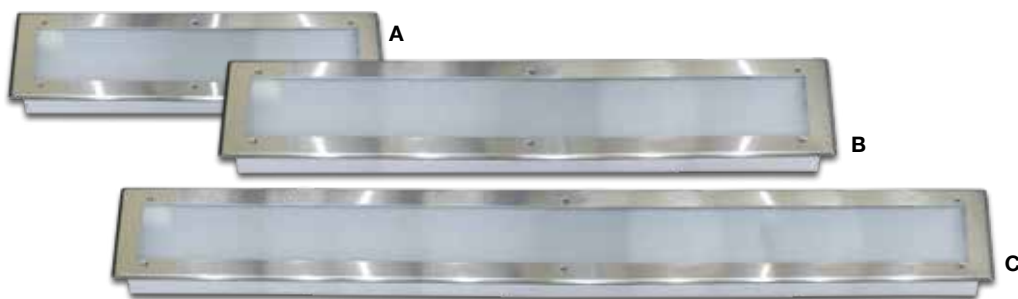
- Designed for use with removable LED lamps • Lamps consume less than 5.5 watts per foot • Max operating temp 75°C (167°F)
- Contributes to LEED® energy use reduction credits • Highest lumen output per watt available • Recess mount installation
- Only 4-1/2" high for limited clearance applications • 100-240 VAC • 50,000 hour rated service life

MODEL NO.	LENGTH	WATT	LUMENS	KELVINS	OVERALL TRIM SIZE	"A" CUT OUT	"B" HOLES	"C" SPACING	"D" EACH SIDE
L82-1020-L09W			1800	2800 - 3500					
L82-1020-L09N	24"	22	1900	4000 - 5000	10-1/4" x 26-1/4" (260mm x 667mm)	24-1/2" (622mm)	12 total	6" (152mm)	3 places
L82-1020-L09C			2000	5500 - 6500					





# Recessed Mount Fluorescent/Incandescent Lights



## RECESSED FLUORESCENT KITCHEN EXHAUST HOOD LIGHT FIXTURES

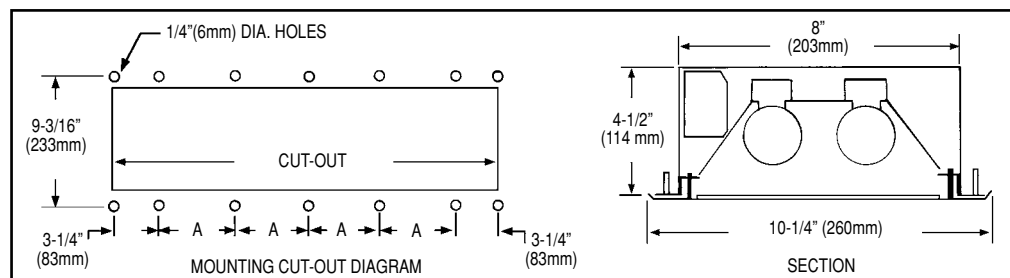
- NSF Listed, UL Listed E250943 for use in commercial cooking hoods • Listed to 75°C (167°F)
- Meets all requirements for NFPA 96 and N.E.C. 410 • Only 4-1/2" (114mm) high for limited overhead clearance applications
- Tempered, prismatic glass diffuser with one piece satin finished stainless steel face frame to match hood interior

REF	MODEL NO.	LAMPS REQ'D	OVERALL TRIM SIZE	CUT-OUT SIZE	HOLES REQ'D	DIM. A
A	L82-1020	(2) F17T8	10-1/4" x 26-1/4" (260mm x 667mm)	8-1/2" x 24-1/2" (216mm x 622mm)	12	6" (152mm)
B	L82-1030	(2) F25T8	10-1/4" x 38-1/4" (260mm x 972mm)	8-1/2" x 36-1/2" (216mm x 927mm)	14	7-1/2" (191mm)
C	L82-1040	(2) F32T8	10-1/4" x 50-1/4" (260mm x 1276mm)	8-1/2" x 48-1/2" (216mm x 1232mm)	14	10-1/2" (267mm)

### SPECIFICATIONS

- BALLAST:** Universal 120-277v, 50 or 60 Hz, T8, UL Listed
- LAMPS:** T8 Fluorescent lamps (not furnished)
- BODY:** Steel with baked white enamel finish
- MOUNTING:** #10-32 x 3/4" (19mm) long threaded studs
- REFLECTOR:** Baked white enamel finish... providing a minimum of 87% diffused reflection
- DIFFUSER:** Crystal 73 tempered prismatic glass with prisms on inside of fixture, mounted into a stainless steel face frame with special sealing gasketing. Secured to fixture body with stainless steel screws for easy servicing.

NOTE: Bulbs not included



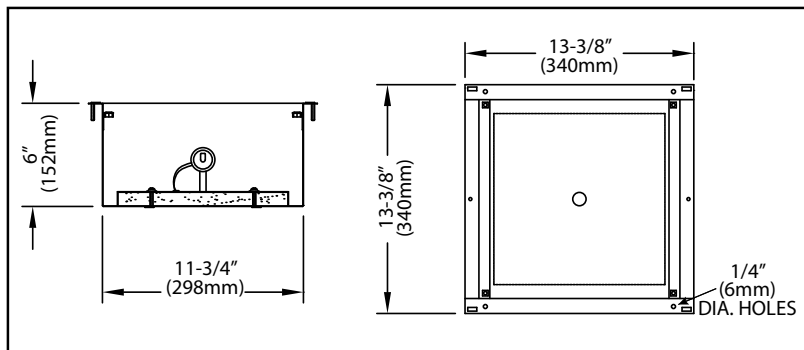
## RECESSED INCANDESCENT KITCHEN EXHAUST HOOD LIGHT FIXTURE

- UL Listed E253411 and certified for Canada for use in commercial cooking hoods
- Meets all requirements for NFPA 96 and N.E.C. 410
- NSF Listed • Tempered, prismatic glass diffuser
- Satin finished stainless steel face frame to match hood interiors



MODEL NO.	OVERALL TRIM SIZE	CUT-OUT SIZE	HOLES REQ'D
L87-1004	13-7/8" Sq.	12" Sq.	4

NOTE: Bulbs not included



### SPECIFICATIONS

- SOCKET:** Side mounted porcelain medium base
- WATTAGE:** Accepts standard A19/E26 Edison base bulb (not furnished)
- VOLTAGE:** Rated up to 120 Volts
- DIFFUSER:** Crystal 73 tempered prismatic glass with prisms on inside of fixture
- FACEPLATE:** One piece, stainless steel with smooth satin finish
- LOCKUP:** (4) captive stainless steel screws
- RETAINER:** Twin spring and cable for faceplate and frame
- REFLECTOR:** Die formed aluminum with satin finish
- WIRING:** Connections to socket are made in the interior removable thermal insulated wiring chamber
- BODY:** Steel recessed housing with baked white enamel finish
- MOUNTING:** (4) #10-24 x 3/4" (19mm) long threaded studs





RoHS  
CE  
UL US

## LED LIGHT FOR KITCHEN EXHAUST HOODS

- UL Listed Edison-base LED bulb rated to 85°C (185°F)
- Improved design with internal switch to provide thermal protection
  - 120 degree beam angle floods the workspace with light
- 85 to 277 VAC • 50/60Hz • Exceeds Federal Energy Act requirement
- Impact resistant polycarbonate enclosure • 50,000 hour rated service life

DESIGN PATENT NUMBER D715,463 S

MODEL NO.	WATTS	LUMENS	KELVINS	MAX OPERATING TEMP*
LED-40000N-B				
LED-40000N-P**				
LED-40001N (includes globe)	12	960	4000 - 4500	85°C (185°F)
LED-40000W-B		930	2800 - 3000	

\*Bulb performance is not guaranteed if exposed to temperatures above 85°C

\*\*In blister pack for POS display

## LED-40000 BULBS COMPLETE WITH L55 SERIES LIGHT FIXTURE

MODEL NO.	GLOBE	WATTS	LUMENS	KELVINS
L55-LEDN-1004	Coated Glass	12	960	4000
L55-LEDW-1004			930	2800
L55-LEDN-1024	Coated Glass, Wire Guard	12	960	4000
L55-LEDW-1024			930	2800
L55-LEDN-2004	Tempered Glass	12	960	4000
L55-LEDW-2004			930	2800
L55-LEDN-2024	Tempered Glass, Wire Guard	12	960	4000
L55-LEDW-2024			930	2800

UL US

CE



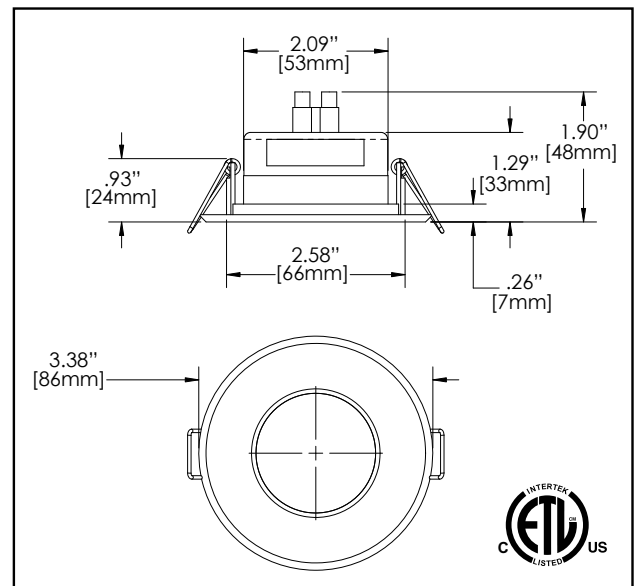
## RECESS MOUNT PERIMETER LED LIGHT FOR KITCHEN EXHAUST HOOD PLENUMS

- Satin chrome finish bezel matches hood • 50,000 hour rated lamp life
- 120° beam angle floods the workspace with light • 100 to 130 VAC
  - 50/60 Hz • Impact resistant polycarbonate lens

MODEL NO.	WATTS	LUMENS	KELVINS	TYPE	OPERATING TEMP
LED-PL35-W	4	290	3000	Non-Dimmable	-4°F to 104°F (-20°C to 40°C)

Cut-out size required - 2.75" (70mm)

Notes: Supplied with 48" (1220mm) 18AWG wires.





## E-Z MOUNT INCANDESCENT KITCHEN EXHAUST HOOD LIGHTING FIXTURES

\*"TUFF-SKIN" coating eliminates hot spot browning and discoloration of globe

- UL Listed to 80°C (176°F) • Prevents glass shatter from impact, dropping, unusual stresses and thermal shock
  - Scratch resistant • U.S.D.A. approved • Improves light source by providing better diffusion
  - E-Z Mount feature allows for quick installation • Permanently affixed gaskets cut installation time
- Meets all requirements for NFPA 96 and N.E.C. 410 • Greaseproof, waterproof and heatproof construction

MODEL NO.	DESCRIPTION
L55-1004	Furnished with TUFF-SKIN* Coating; Thermal and Shock Resistant Tempered Glass Globe
L55-1004-CSA	Furnished with TUFF-SKIN* Coating; Thermal and Shock Resistant Tempered Glass Globe; CSA Certified
L55-1004-HT	Furnished with TUFF-SKIN* Coating; Thermal and Shock Resistant Tempered Glass Globe; Lamp Holder Wires Rated to 392°F (200°C), 600V; Insulation: Silicone Rubber with Treated Glass Bead Sleeving
L55-1024	Furnished with TUFF-SKIN* Coating; Thermal and Shock Resistant Tempered Glass Globe; Includes Wire Guard
L55-1024-CSA	Furnished with TUFF-SKIN* Coating; Thermal and Shock Resistant Tempered Glass Globe; CSA Certified; Includes Wire Guard
L55-1024-HT	Furnished with TUFF-SKIN* Coating; Thermal and Shock Resistant Tempered Glass Globe; Lamp Holder Wires Rated TO 392°F (200°C), 600V; Insulation: Silicone Rubber with Treated Glass Bead Sleeving; Includes Wire Guard
L55-2004	Furnished with Thermal and Shock Resistant Tempered Glass Globe
L55-2004-CSA	Furnished with Thermal and Shock Resistant Tempered Glass Globe; CSA Certified
L55-2004-HT	Furnished with Thermal and Shock Resistant Tempered Glass Globe; Lamp Holder Wires Rated to 392°F (200°C), 600V; Insulation: Silicone Rubber with Treated Glass Bead Sleeving
L55-2024	Furnished with Thermal and Shock Resistant Tempered Glass Globe; Includes Wire Guard
L55-2024-CSA	Furnished with Thermal and Shock Resistant Tempered Glass Globe; CSA Certified; Includes Wire Guard
L55-2024-HT	Furnished with Thermal and Shock Resistant Tempered Glass Globe; Lamp Holder Wires Rated to 392°F (200°C), 600V; Insulation: Silicone Rubber with Treated Glass Bead Sleeving; Includes Wire Guard

### SPECIFICATIONS

<b>FIXTURE BODY:</b>	Die cast aluminum with brushed finish
<b>SOCKET:</b>	Porcelain body with copper shell
<b>WIRE LEADS:</b>	Standard - 16 awg, 6" (152mm) long Hi-temp - 14 awg, 9" (229mm) long
<b>GROUND LEAD:</b>	6" (152mm) long green colored 18 awg wire
<b>WATTAGE:</b>	Accepts standard 100 watt A19 bulb (not furnished)
<b>VOLTAGE:</b>	Rated up to 120 volts
<b>GASKETS:</b>	Silicone
<b>OVERALL SIZE:</b>	5-3/8" (136mm) and 8-11/32" (212mm) long
<b>JUNCTION BOX:</b>	Not furnished. Fixture is designed to accept any standard 3-1/2" (89mm) or 4" (102mm) junction box



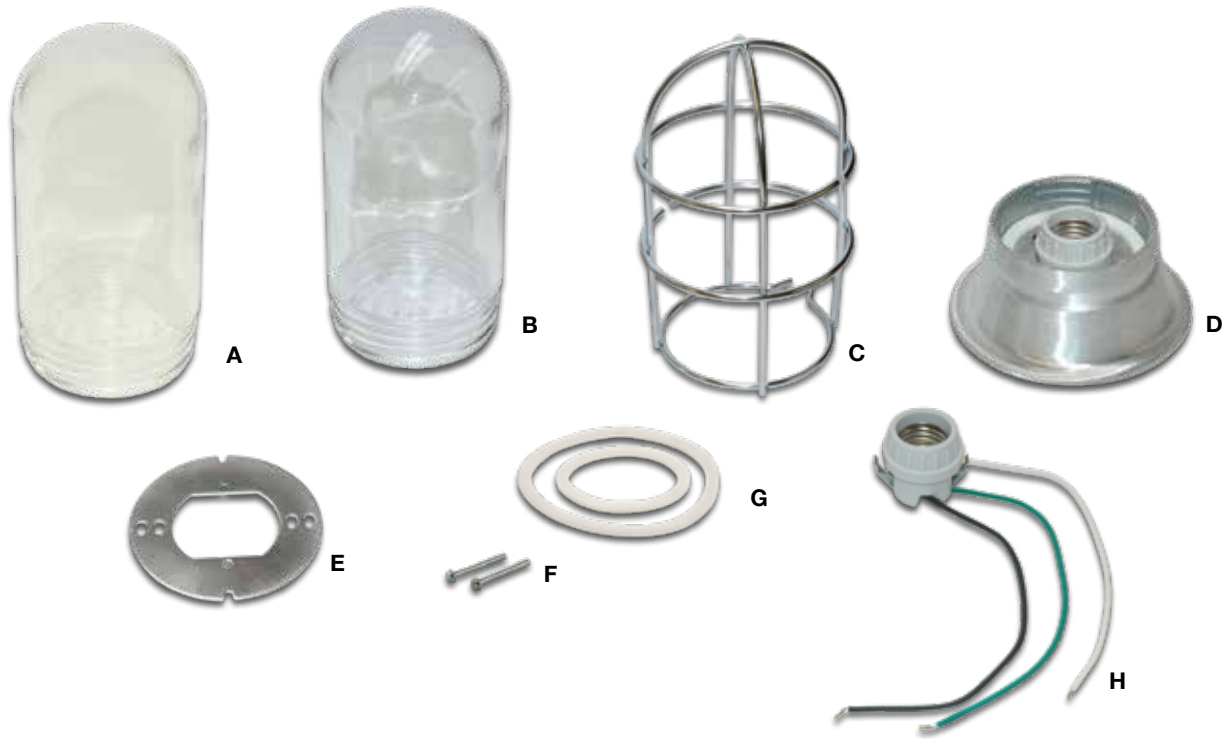
COMPONENT



CERTIFIED  
File No. LR63261

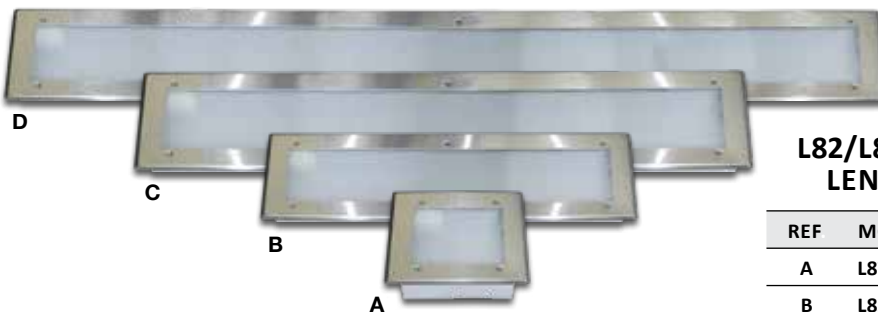


LISTED  
File No. E80045



## L55 SERIES REPLACEMENT PARTS

REF	MODEL NO.	DESCRIPTION
A	L50-X011	Globe, Furnished with TUFF-SKIN Coating; Thermal and Shock Resistant Tempered Glass
B	L55-X022	Globe, Furnished with Thermal and Shock Resistant Tempered Glass
C	L10-X020	Wire Guard, Zinc Plated Steel
D	L55-Y001	Lamp Housing Assembly; Includes Porcelain Socket and Required Silicone Gasket
	L55-Y001-CSA	Lamp Housing Assembly; Includes Porcelain Socket and Required Silicone Gasket; CSA Certified
	L55-Y001-HT	Lamp Housing Assembly; Includes Porcelain Socket and Required Silicone Gasket; Lamp Holder Wires Rated to 392°F (200°C), 600V; Wire Leads 14AWG, 9" (229mm) Long Stripped End. Insulation: Silicone Rubber with Treated Glass Bead Sleeving
E	L50-X009	Adapter Plate
F	L55-X006	Screw, #10-24 x 1-3/4" Long bRound Head
G	L50-Y001	Gasket Set, Silicone, White
	L55-X003	Porcelain Socket, Snap-In with 3 Leads
H	L55-X003	Porcelain Socket; Wires Rated to 392°F (200°C), 600V; Wire Leads 14AWG, 9" (229mm) Long Stripped End. Insulation: Silicone Rubber with Treated Glass Bead Sleeving; Includes Wire Guard
	L55-X003-HT	Porcelain Socket; Wires Rated to 392°F (200°C), 600V; Wire Leads 14AWG, 9" (229mm) Long Stripped End. Insulation: Silicone Rubber with Treated Glass Bead Sleeving; Includes Wire Guard



CERTIFIED  
File No. LR63261

## L82/L87 SERIES REPLACEMENT LENS/FRAME ASSEMBLIES

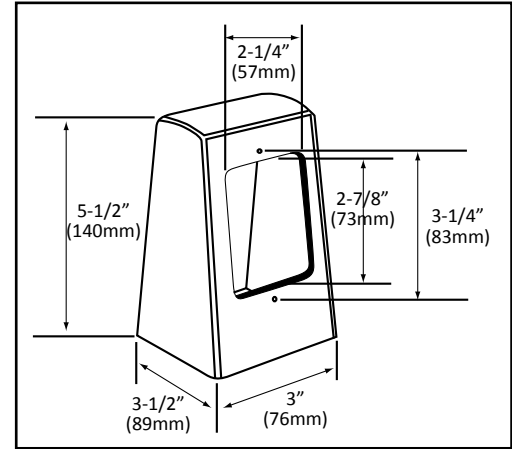
REF	MODEL NO.	DESCRIPTION
A	L87-Y001	12" Square Lens and Frame
B	L82-Y001	2' Lens and Frame
C	L82-Y002	3' Lens and Frame
D	L82-Y003	4' Lens and Frame



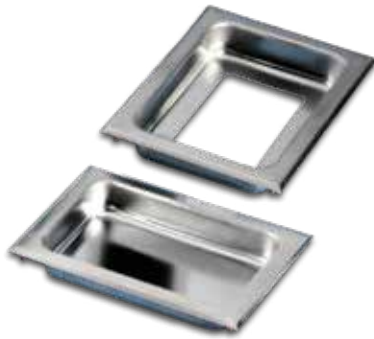
## CAST ALUMINUM ELECTRIC OUTLET BOXES

- Brushed satin finish \* Provides convenient surface mounted outlet for countertop appliances • For 3/4" NPS or 1/2" NPS (adaptor provided) • Ground screw provided • U.L. Listed #48 C6

MODEL NO.	DESCRIPTION
R58-1010	Single Faced
R58-1020	Double Faced



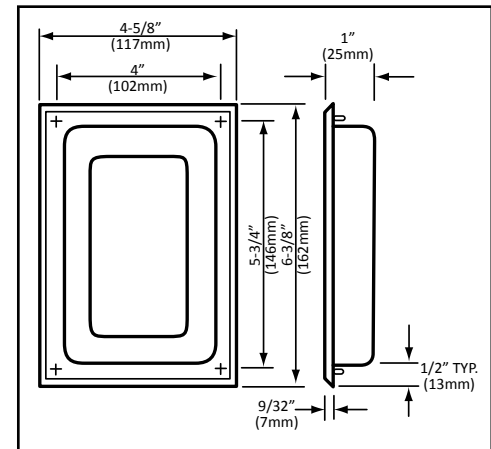
D



## STAINLESS STEEL RECESSED HOUSINGS

- Internal covered corners
- Provided with (4) 10-24 mounting studs
- Accepts standard J-box for tack welding
- 430 stainless steel construction

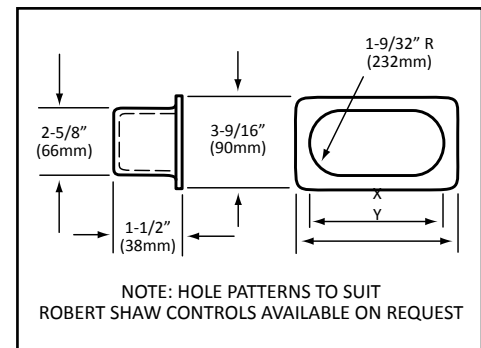
MODEL NO.	DESCRIPTION
R73-1210	For "J" Mounting Box
R73-1212	For Control Switch Application (without cutout)



## STAINLESS STEEL CONTROL PANELS

- For recessed mounting of control knobs
- Satin finish • Three sizes available
- 430 stainless steel construction

MODEL NO.	"X" DIM.	"Y" DIM.
R73-2201	5" (127mm)	6" (152mm)
R73-2202	8-5/16" (211mm)	9-5/16" (236mm)
R73-2203	11-3/4" (298mm)	12-3/4" (324mm)





## PILOT LIGHT SWITCH

- 120/125 VAC single pole • 15 amp
- 1/25 watt red neon pilot light
- Operating temperature range -30°C to 60°C
- UL-94-V2 flammability rating • Brown finish
- Side wiring for #12 and #14 AWG

MODEL NO.	DESCRIPTION
R65-3228	Neon Lite "T" Rated Single Pole



## FLUSH DUPLEX RECEPTACLE

- 3 wire "U" ground 125 Volts
- 2 pole, 3 wire, self grounding • 125 VAC single phase
- Brown finish • Back and side wire connections for #14 and #12 AWG

MODEL NO.	DESCRIPTION
R69-1630	15 Amps, 1.875kW

D



## CONTACT SWITCHES

- Normally Closed (ON) Momentary Contact
- Ratings: .25 AMPS 250V, .75 AMPS 125V • General purpose, AC rated
- Single pole, single throw • Screw terminals

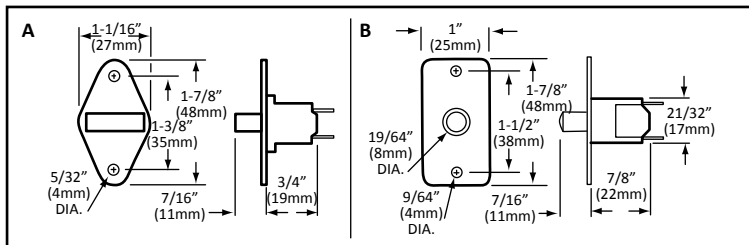
REF.	MODEL NO.	DESCRIPTION
A	R62-8406	Rocker Style with Bakelite Rocker Arm, Flush Mount
B	R61-8410	SPST Push Button Style with Backlite Plunger, Back Panel Mount



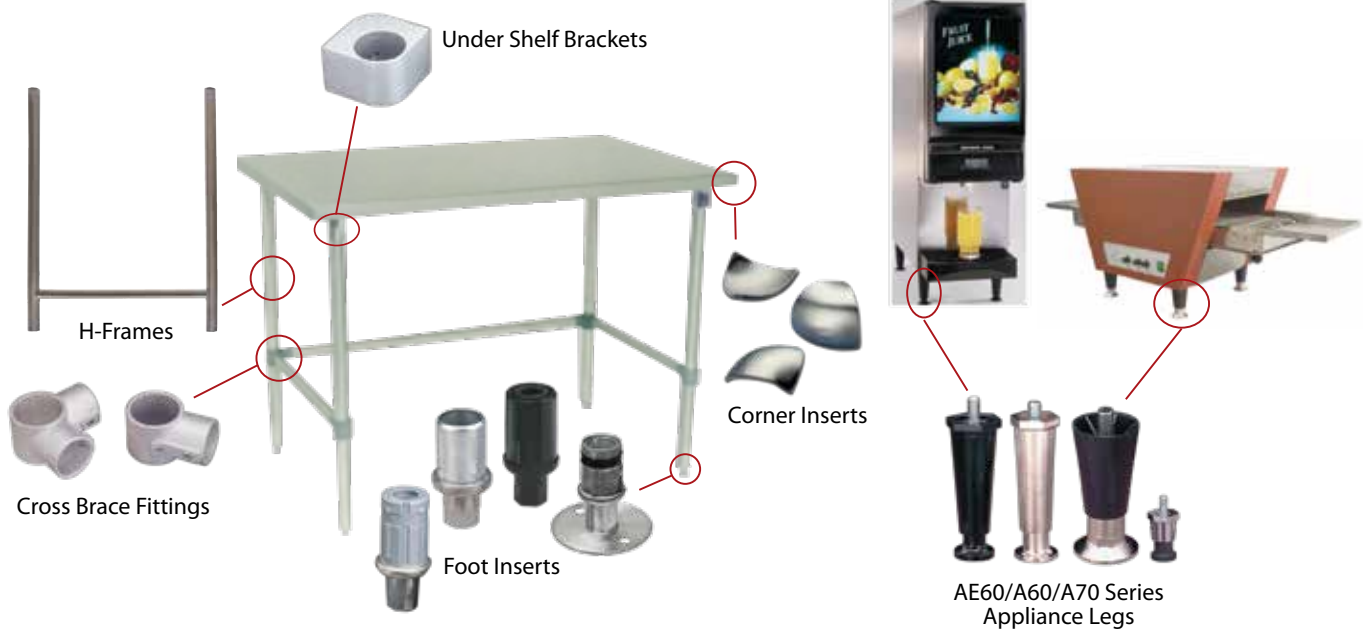
## COVER PLATES

- 430 stainless steel construction
- Satin finish • 4-1/2" L x 2-3/4" W x 0.035" H
- Furnished with mounting hardware

MODEL NO.	DESCRIPTION
R71-0721	Duplex Receptacle Plate
R70-0720	Toggle Switch Plate
R70-0723	Blank Plate



# EQUIPMENT LEGS



## E

LEG SOCKETS & SHELF SUPPORTS	E117	ECONOMY ZINC DIE CAST EQUIPMENT LEGS	E126
STAINLESS STEEL LEG SOCKETS	E118	STAINLESS STEEL EQUIPMENT LEGS	E127-E129
FOOT INSERTS FOR ROUND TUBING	E119	STAINLESS STEEL EQUIPMENT LEGS FEATURE FULL 3" ADJUSTMENT	E130
SEISMIC RESTRAINT & ENGINEERED PLASTIC ADJUSTABLE FOOT INSERTS	E120	EXTRA WIDE STAINLESS STEEL CLAD EQUIPMENT LEGS	E131
ADJUSTABLE FOOT INSERT FEATURES FULL 3" ADJUSTMENT	E121	S/S ONE PIECE LEG ASSEMBLIES WITH FULL 3" ADJUSTMENT	E132
FOOT INSERTS FOR SQUARE TUBING	E122	CUSTOM STAINLESS STEEL LEG ASSEMBLIES	E133
FLANGED FOOT INSERTS FOR ROUND AND SQUARE TUBING	E123	ORDER FORM-CUSTOM STAINLESS STEEL H-FRAME ASSEMBLY	E134
SECURITY/SEISMIC HEAVY-DUTY LEG ASSEMBLIES	E124	APPLIANCE LEGS	E135-E138
ABS PLASTIC EQUIPMENT LEGS	E125	ACCESSORIES	E139-E141

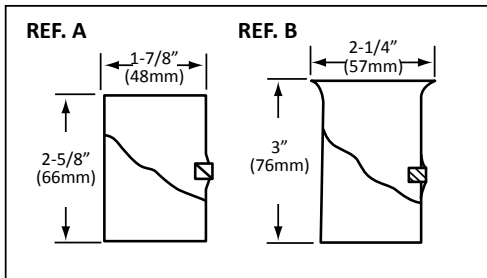




## ZINC PLATED STEEL LEG SOCKETS

- STRAIGHT OR FLARED MODELS AVAILABLE
- LOCKING SET SCREW PROVIDED FOR SECURE ASSEMBLY
- PERMITS KD SHIPPING

REF.	MODEL NO.	HEIGHT	MATERIAL	APPLICATION
B	A26-0207-C	3" (76mm)	ZINC PLATED	1-5/8" (41mm) O.D. Tubng or
A	A28-0207-C	2-5/8" (66mm)	ZINC PLATED	1-1/4" (32mm) IPS Pipe



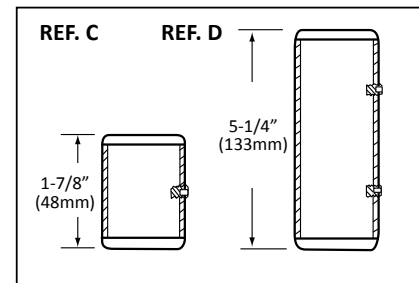
## STAINLESS STEEL TUBULAR SHELF SUPPORTS

FOR 1-5/8" (41mm) O.D. TUBING

- LONG AND SHORT LENGTH MODELS AVAILABLE
- FURNISHED WITH LOCKING SET SCREWS
- CAN BE USED AS ADJUSTABLE POT RACK BAND SUPPORT



REF.	MODEL NO.	HEIGHT	APPLICATION
C	A24-0206-C	1-7/8" (48mm)	1-5/8" (41mm) O.D. Tubng
D	A24-0207-C	5-1/4" (133mm)	1-5/8" (41mm) O.D. Tubng

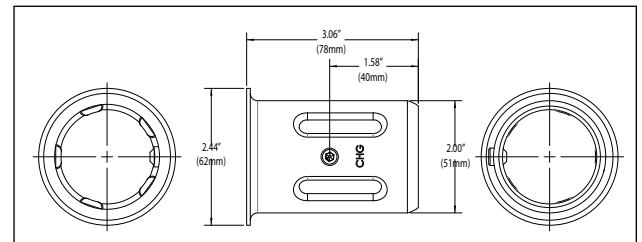


## 16 GAUGE ALL STAINLESS STEEL LEG SOCKET

- UNIQUE INTERIOR GEOMETRY TIGHTLY FITS THE DIAMETER OF THE LEG
  - INCREASED SURFACE CONTACT IMPROVES STABILITY
  - 2" OUTSIDE DIAMETER FOR 1-5/8" OD TUBING
    - SATIN STAINLESS STEEL FINISH
    - FLANGED TOP FOR EASE OF WELDING
- PERMITS KD SHIPPING TO REDUCE FREIGHT COSTS
- LOCKING SET SCREW ENSURES SECURE ASSEMBLY

**MODEL NO. A19-1000**

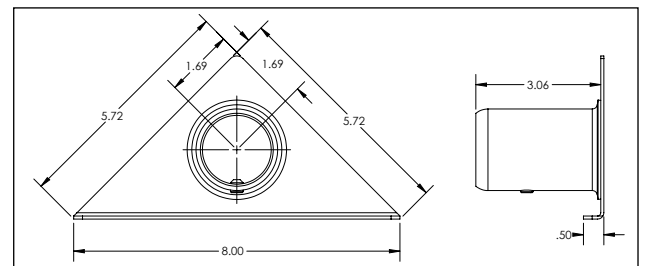
**PATENT PENDING**



## TYPE 304 STAINLESS STEEL TRIANGULAR MOUNTING PLATE

• 14-GA. THICK

**MODEL NO. A18-0306-C**



NSF STANDARDS GOVERNING THE USE OF SET SCREWS IN NON-FOOD ZONES REQUIRE THE PLUGGING OF THE HEX SOCKET HOLE AFTER FINAL ASSEMBLY AND TIGHTENING. THIS MAY BE ACCOMPLISHED BY APPLYING A HARDESNING TYPE SILICONE SEALANT OR THE USE OF A HOLE PLUG. STANDARD NSF TYPE PUSH-IN PLASTIC HOLE PLUGS ARE AVAILABLE. SPECIFY A10-0020 WHEN ORDERING. ADDITIONAL 5/16-24 SET SCREWS ARE AVAILABLE. SPECIFY A18-X001 WHEN ORDERING.

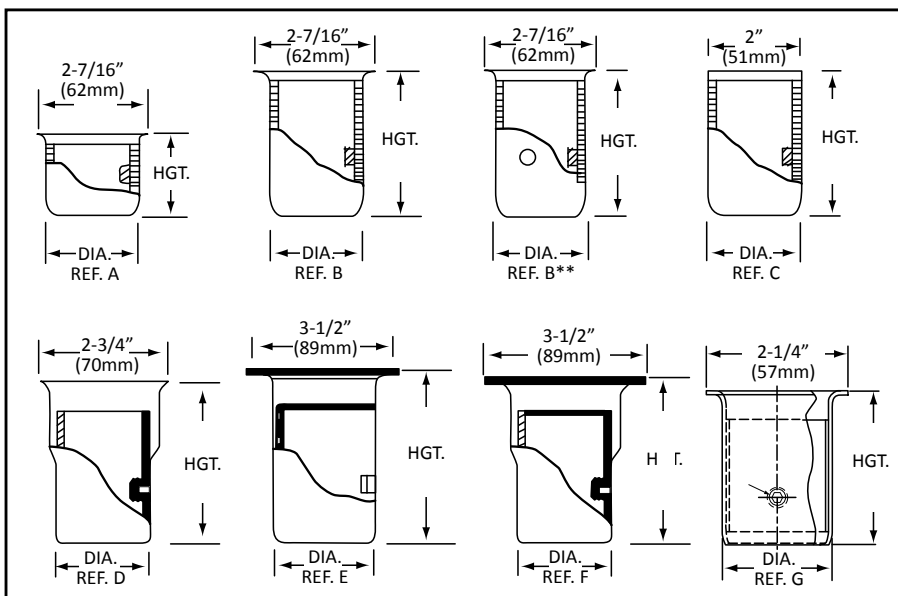
# Stainless Steel Leg Sockets



## STAINLESS STEEL LEG SOCKETS

- FOR 1-1/2" & 1-5/8" O.D. LEG ASSEMBLIES
  - CONSTRUCTED OF 16 ga (1.5mm) STAINLESS STEEL TUBING
- PROVIDED WITH LOCKING SET SCREW TO ASSURE SECURE ASSEMBLY
- MODELS AVAILABLE WITH PLAIN OR FLARED TOP FOR WELD ON APPLICATIONS OR WELDED STAINLESS STEEL MOUNTING PLATES
- PERMITS KD SHIPPING TO REDUCE FREIGHT COSTS

REF.	MODEL NO.	HEIGHT	APPLICATION	DIA.
A	A16-0206-C	1-3/4" (44mm)		
C*	A18-0203-C	3-1/4" (82mm)		
B	A18-0206-C	3-1/16" (78mm)	1-5/8" (41mm)	2" (51mm)
E	A18-0406-C	3-1/8" (79mm)	O.D. Tubing or	
B**	A18-9900-C	3-1/16" (78mm)	1-1/4" I.P.S. Pipe	
D	A20-0206-C	3-1/2" (89mm)		
F	A20-0406-C	3-9/16" (90mm)		
G	A18-0202-C	2-7/16" (62mm)	1-1/2" (38mm)	1-3/4" (44mm)
E	A18-0402-C	2-1/2" (64mm)	O.D. Tubing	



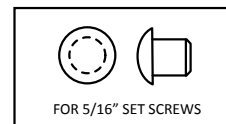
## NICKEL PLATED STEEL HEX HEAD SET SCREW

REF. F MODEL NO. A18-X001  
5/16-24 X 5/16" L

FOR USE WITH ALL COMPONENT HARDWARE BRAND LEG SOCKETS. ASSURES EQUIPMENT LEG IS SECURELY FASTENED TO LEG SOCKET.

## SET SCREW HOLE PLUGS

REF. G MODEL NO. A10-0020  
TO COMPLY WITH NSF REQUIREMENTS... ALL SET SCREW SOCKET OPENINGS MUST BE PLUGGED AFTER FINAL ASSEMBLY AND TIGHTENING



\*FURNISHED WITHOUT FLARED TOP \*\*FURNISHED WITH 2 SET SCREWS. MOUNTING PLATE HAS (4) 5/16" (8mm) DIA. HOLES ON 2-5/8" (66mm) CENTERS. NSF STANDARDS GOVERNING THE USE OF SET SCREWS IN NON-FOOD ZONES REQUIRES THE PLUGGING OF THE HEX SOCKET HOLE AFTER FINAL ASSEMBLY AND TIGHTENING. THIS MAY BE ACCOMPLISHED BY APPLYING A HARDENING TYPE SILICONE SEALANT OR THE USE OF A HOLE PLUG.

## ADJUSTABLE FOOT INSERTS FOR ROUND TUBING



### CONVENTIONAL ROUND & HEX ADJUSTABLE TOES FOR ROUND TUBING AND PIPE

#### AVAILABLE IN:

- NATURAL FINISH ZAMAK • NICKEL PLATED ZAMAK
- THERMOPLASTIC, GRAY OR BLACK • STAINLESS STEEL CLAD
- ADJUSTABLE TO LEVEL EQUIPMENT ON JOB SITE
- MOST TOES SUPPLIED WITH WRENCH FLATS FOR EASY ADJUSTMENT

REF.	MODEL NO.	FOOT DESCRIPTION	TYPE	HEIGHT	ADJ.	LOAD RATING	APPLICATION
A	A10-0221-C	Nickel Plated Zamak	HEX	11/16" (18mm)	13/16" (21mm)	1100 (500)	1" (25mm) O.D. Tubing 16 ga (1.5mm) & 18 ga (1.2mm)
A	A10-0421-C	Nickel Plated Zamak	HEX	3/4" (19mm)	1-1/8" (28mm)	1400 (635)	1-1/4" (32mm) O.D. Tubing 16 ga (1.5mm)
B	A10-0611-C	Nickel Finish Zamak	HEX	1-1/4" (32mm)	1-1/8" (28mm)	2000 (900)	
B	A10-0651-C	Stainless Steel Clad	HEX	1-1/2" (38mm)	1-1/4" (32mm)	2000 (900)	1-1/2" (38mm) O.D. Tubing 16 ga (1.5mm)
C	A10-0631-C	c	HEX	1-3/8" (35mm)	1-1/16" (27mm)	200 (90)	or 1-1/4" I.P.S. Pipe
D	A10-0641-C	Thermoplastic Gray	HEX	1-3/8" (35mm)	1-1/16" (27mm)	200 (90)	
E	A10-0811-C	Nickel Finish Zamak	HEX	1-1/4" (32mm)	1-1/8" (28mm)	2000 (900)	
F*	A10-0851-C	Stainless Steel Clad	HEX	1-1/2" (38mm)	1-1/4" (32mm)	2000 (900)	1-5/8" (41mm) O.D. Tubing 16 ga (1.5mm)
G	A10-0852-C	Stainless Steel Clad	ROUND	1-1/2" (38mm)	1-1/4" (32mm)	2000 (900)	
C	A10-0831-C	Nickel Plated Zamak	HEX	1-3/8" (35mm)	1-1/16" (27mm)	200 (90)	
D	A10-0841-C	Thermoplastic Gray	HEX	1-3/8" (35mm)	1-1/16" (27mm)	200 (90)	
H	A11-0851-C	Stainless Steel Clad	HEX	1" (25mm)	2" (51mm)	2300 (1040)	2" (52mm) O.D. Tubing 16 ga (1.5mm)

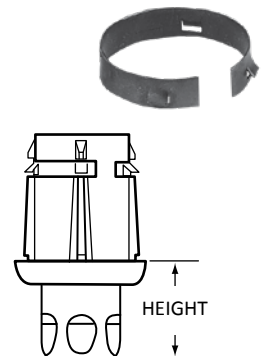
\* SHOWN WITH OPTIONAL POSI-GRIP LOCKING RING



#### \*OPTIONAL POSI-GRIP LOCKING RING

#### MODEL NO. A10-0010-C

SPRING STEEL WITH CLEATS THAT GRIP AND BITE TUBING TO LOCK FOOT TO TUBE.

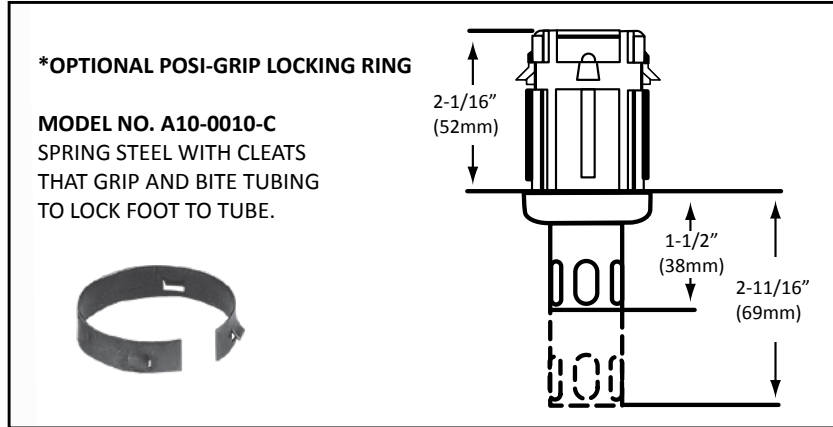


## STAINLESS STEEL CLAD PLASTIC ADJUSTABLE FOOT INSERT

FOR 1-1/2" (38mm) AND 1-5/8" (41mm) ROUND TUBING



- STAINLESS STEEL CLAD TOE • ECONOMICAL • OFFERS A FULL 1-1/4" (32mm) ADJUSTMENT
- WRENCH FLATS AND UNIQUE THREADING OFFERS SMOOTH, FAST FIELD ADJUSTMENT
- EACH MODEL DESIGNED TO SUIT EITHER 16 ga (2mm) OR 18 ga (1mm) ROUND TUBING
- SPECIALLY DESIGNED ENGINEERED PLASTIC CONSTRUCTION WITHSTANDS TODAY'S HARSH CHEMICAL CLEANSERS IN COMMERCIAL KITCHEN ENVIRONMENTS



MODEL NO.	APPLICATION	TYPE	HEIGHT	ADJ.	LOAD RATING
A10-1000	1-5/8" (41mm) O.D Tubing 16 ga (1.5mm) & 18 ga (1.2mm)	HEX	1-1/2" (38mm)	1-1/4" (32mm)	1000 lbs (450 kg)
A10-1500	1-1/2" (38mm) O.D Tubing 16 ga (1.5mm) & 18 ga (1.2mm)	HEX	1-1/2" (38mm)	1-1/4" (32mm)	1000 lbs (450 kg)

## ADJUSTABLE SEISMIC RESTRAINT FOOT

MODEL NO. A10-0852-S



- 7/16" DIA. (.44mm) HOLE IN BOTTOM OF TOE TO PERMIT SECURE ANCHORING TO REBAR IN FLOOR
- MEETS SMACNA GUIDELINES FOR SEISMIC RESTRAINT OF EQUIPMENT FOR SHEAR ONLY
- STAINLESS STEEL CLAD ZAMAK CONSTRUCTION WILL NOT CORRODE
- FOR 1-5/8" O.D. (41mm), 16 GAUGE (1.5mm) TUBING APPLICATIONS
- ADJUSTABLE ROUND TOE PERMITS 1-1/4" (32mm) HEIGHT ADJUSTMENT
  - STATIC LOAD RATING TO 2000LBS (900kg)
- AVAILABLE WITH OPTIONAL POSI-GRIP LOCKING RING FOR ADDED PULL-OUT STRENGTH

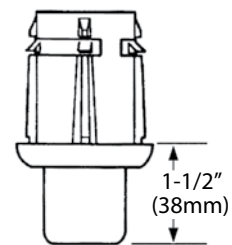


7/16" (.44mm)  
DIA. OPENING

### \*OPTIONAL POSI-GRIP LOCKING RING

**MODEL NO. A10-0010-C**

SPRING STEEL WITH CLEATS THAT GRIP AND BITE TUBING TO LOCK FOOT TO TUBE.



## HI-RISE® ADJUSTABLE FOOT INSERTS



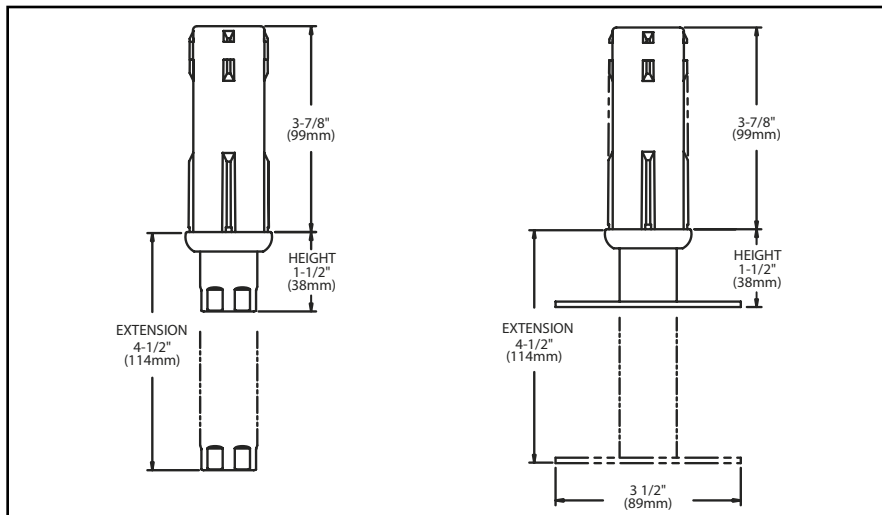
- FULL 3" (76mm) HEIGHT ADJUSTMENT
- RUGGED 2000 lbs STATIC LOAD RATING
- STAINLESS STEEL FLANGED MODELS AVAILABLE
- IDEAL FOR LENGTHY CAFETERIA LINES AND COUNTERS WHERE FLOOR PITCH IS A CONCERN
- ELIMINATES COSTLY FIELD MODIFICATION
- MAXIMUM HEIGHT ADJUSTMENT HELPS AVOID PLUMBING OBSTACLES AND OTHER UNFORESEEN CONDITIONS DURING INSTALLATION OF EQUIPMENT

Adjustable Foot Inserts, specified by Engineers and Consultants, are specifically designed to meet pending OSHA requirements which suggest maximum counter and table adjustments to permit comfortable working environments.

### 3" (76mm) ADJUSTABLE FOOT INSERT TO SUIT 1-5/8" (41mm) O.D. TUBING 16 ga (1.5mm)



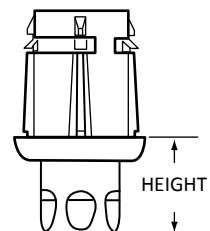
MODEL NO.	DESCRIPTION	TYPE	HEIGHT	ADJ.	LOAD RATING
A10-0881-C	Stainless Steel	Hex	1-1/2" (38mm)	3" (76mm)	2000 lbs (900 kg)
A10-0884-C	S/S Flanged W/ (2) 11/32" (9mm) Dia. Mounting Holes	Flanged	1-1/2" (38mm)	3" (76mm)	2000 lbs (900 kg)



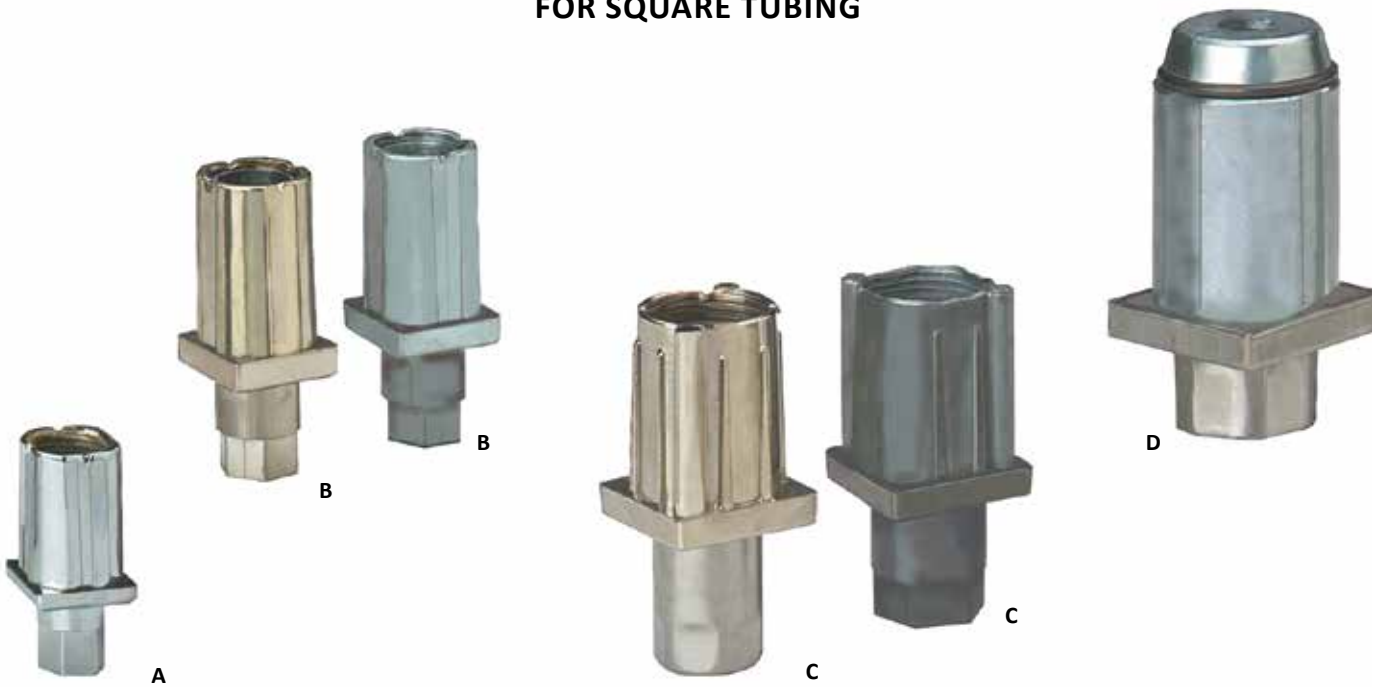
### \*OPTIONAL POSI-GRIP LOCKING RING

#### MODEL NO. A10-0010-C

SPRING STEEL WITH CLEATS THAT GRIP AND BITE TUBING TO LOCK FOOT TO TUBE.



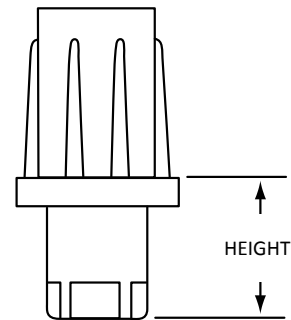
## ADJUSTABLE FOOT INSERTS FOR SQUARE TUBING



E



- AVAILABLE WITH ZINC, NICKEL OR STAINLESS STEEL CLAD FINISH
- ADJUSTABLE TO LEVEL EQUIPMENT ON JOB SITE
  - WRENCH FLATS FOR EASY ADJUSTMENT
- 2" (51mm) MODEL COMPLETE WITH RETAINING RING AND HEAVY-DUTY CONSTRUCTION



REF.	MODEL NO.	FOOT DESCRIPTION	TYPE	HEIGHT	ADJ.	LOAD RATING	APPLICATION
A	A14-0221-C	Nickel Plated Zamak	HEX	11/16" (18mm)	7/8" (22mm)	1200 (550)	1" (25mm) SQ. Tubing 16 ga (1.5mm) or 18 ga (1.2mm)
B	A14-0411-C	Natural Finish Zamak	HEX	1-1/4" (32mm)	1-1/8" (28mm)	2000 (900)	1-1/4" (32mm) SQ. Tubing 16 ga (1.5mm) or 18 ga (1.2mm)
	A14-0421-C	Nickel Plated Zamak	HEX	1-3/8" (35mm)	1" (25mm)	2000 (900)	18 ga (1.2mm)
C	A14-0611-C	Natural Finish Zamak	HEX	1-1/4" (32mm)	1-1/8" (28mm)	2000 (900)	1-1/2" (38mm) SQ. Tubing 16 ga (1.5mm) or 18 ga (1.2mm)
	A14-0651-C	Stainless Steel Clad	HEX	1-1/2" (38mm)	1-1/8" (28mm)	2000 (900)	18 ga (1.2mm)
D	A15-0851-C	Stainless Steel Clad	HEX	1" (25mm)	2" (51mm)	2300 (1040)	2" (51mm) SQ. Tubing 16 ga (1.5mm)

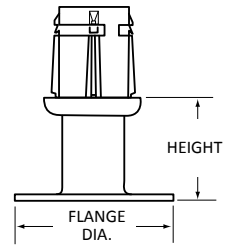


# Flanged Foot Inserts For Round & Square Tubing

## FLANGED ADJUSTABLE FOOT INSERTS FOR ROUND OR SQUARE TUBING OR PIPE



- AVAILABLE WITH STAINLESS STEEL CLAD OR NICKEL PLATED FINISH
- AVAILABLE WITH OR WITHOUT MOUNTING HOLES
- ADJUSTABLE TO LEVEL EQUIPMENT ON JOB SITE
- REDUCED FLANGE MODELS AVAILABLE



E

REF.	MODEL NO.	FLANGE DESCRIPTION	HEIGHT	ADJ.	LOAD RATING Lbs/Ft (Kg/mm)	APPLICATION
A	A14-0224-C	1-3/16" (30mm) Dia. Nickel Plated Zamak	3/4" (17.5mm)	1/2" (12mm)	1200 (550)	1" (25mm) Square Tubing 16 ga (1.5mm) & 18 ga (1.2mm)
B	A14-0424-C	2-1/8" (54mm) Nickel Plated Zamak	1-3/8" (35mm)	1" (25mm)	2000 (900)	1-1/4" (32mm) Square Tubing 16 ga (1.5mm) OR 18 ga (1.2mm)
D*	A10-0654-C	3-1/2" (89mm) Dia. S/S With Mountin Holes**	1-1/2" (38mm)	1-1/8" (28mm)	2000 (900)	1-1/4" I.P.S. Pipe Or 1-1/2" (38mm) O.D. Round Tubing 16 ga (1.5mm)
C*	A14-0653-C	3-1/2" (89mm) Dia. S/S No Mounting Holes	1-1/2" (38mm)	1-1/8" (28mm)	2000 (900)	1-1/2" (38mm) Square Tubing 16 ga (1.5mm) Or 18 ga (1.2mm)
C*	A14-0654-C	3-1/2" (89mm) DIA. S/S With Mountin Holes**	1-1/2" (38mm)	1-1/8" (28mm)	2000 (900)	
E	A10-9904-C	2" (50mm) Dia. S/S No Mounting Holes	1-1/2" (38mm)	1-1/8" (28mm)	2000 (900)	1-5/8" (41mm) O.D. Round Tubing For Marine Application 16 ga (1.5mm)
D*	A10-0853-C	3-1/2" (89mm) Dia. S/S No Mounting Holes	1-1/2" (38mm)	1-1/8" (28mm)	2000 (900)	1-5/8" (41mm) O.D. Round Tubing 16 ga (1.5mm)
D*	A10-0854-C	3-1/2" (89mm) Dia. S/S With Mountin Holes**	1-1/2" (38mm)	1-1/8" (28mm)	2000 (900)	
F*	A11-0854-C	3-1/2" (89mm) Dia. S/S With Mountin Holes**	1" (25mm)	2" (51mm)	2300 (1040)	2" (51mm) O.D. Round Tubing 16 ga (1.5mm)
G*	A15-0854-C	3-1/2" (89mm) Dia. S/S With Mountin Holes**	1" (25mm)	2" (51mm)	2300 (1040)	2" (51mm) Square Tubing 16 ga (1.5mm) Or 18 ga (1.2mm)

\* Flanged Foot Models Have 12 GA. (2.6mm) Stainless Steel Flange With A #4 Satin Finish.

\*\* Provided With (2) 11/32" (9mm) DIA. Mounting Holes, Spaced 2-1/2" (64mm) O.C.

NOTE: Ref. D and E furnished with optional posi-grip locking rings standard

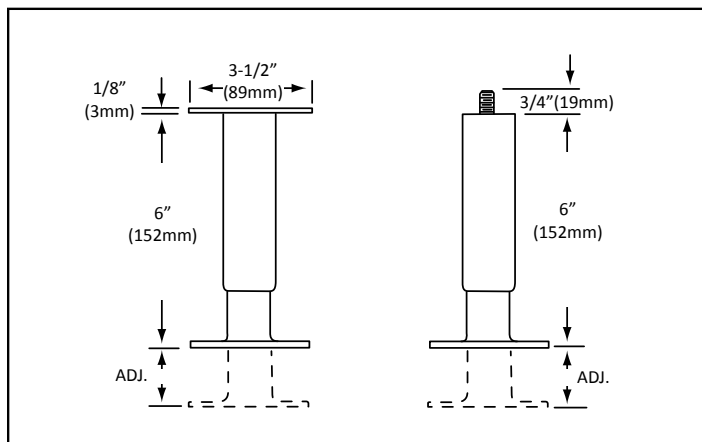
## SECURITY/SEISMIC EQUIPMENT LEGS STAINLESS STEEL

- THREADED STEEL STUD OR WELDED MOUNTING PLATE PROVIDED FOR EASY MOUNTING OF LEGS TO EQUIPMENT
  - FOOT INSERTS ARE PROVIDED WITH A 3-1/2" (89mm) DIA. 11 ga (3mm) FLANGE
- ALL LEGS MAY BE FURNISHED TO MEET SPECIFIC REQUIREMENTS WITH SPECIAL STUDS AND/OR MOUNTING PLATES
- LEGS MAY BE FURNISHED IN SETS OF FOUR WITH CUSTOMER'S PART NUMBERS FOR KD SHIPPING
  - MOUNTING PLATE HAS (4) 5/16" (8mm) DIA. MOUNTING HOLES ON 2-5/8" CENTERS



### FLOOR FASTENED • STAINLESS STEEL SECURITY/SEISMIC EQUIPMENT LEGS

MODEL NO.	DESCRIPTION
A47-9932-C	1-5/8" (41mm) O.D. With Welded Mounting Plate
A50-9939-C	1-5/8" (41mm) O.D. With 1/2-13 Protruding Stud
A88-9902-C	2" (51mm) O.D. With Welded Mounting Plate
A90-9902-C	2" (51mm) O.D. With 3/4-10 Protruding Stud



Easily modified to meet SMACNA seismic restraint requirements. First, drill a 5/8" (16mm) diameter hole in flanged toe to accommodate anchored floor rod. Then, simply drill a 1/4" (6mm) diameter horizontal hole through toe portion which allows leg to be pinned to anchored rod. (Pin not furnished)

Security/Seismic Equipment Legs are specifically designed for Marine, Prison and Institutional applications where installations require Secured Floor-Fastened Adjustable Legs on equipment that may be subjected to sudden movement or shifting. Equipment Legs are available in both 1-5/8" (41mm) and 2" (51mm) O.D. models with a protruding threaded stud or welded 3-1/2" (89mm) 11 gauge (3mm) square mounting plate. The 3-1/2" (89mm) dia. flanged foot has two 11/32" (9mm) dia. floor fastening holes on 2-1/2" (63mm) centers.

#### SPECIFICATIONS

**MATERIAL:** 1-5/8" (41mm) AND 2" (51mm) O.D. STAINLESS STEEL TUBING

**FINISH:** #4 SATIN FINISH

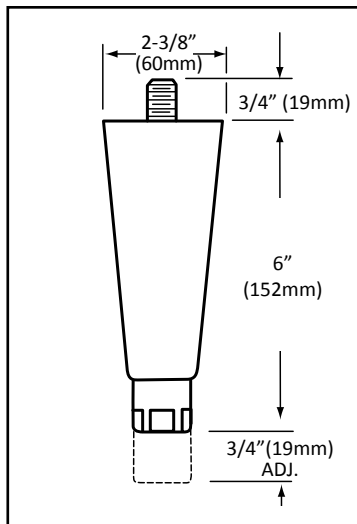
**TOE ADJUSTMENT:** LEGS ARE 6" (152mm) IN HEIGHT AND PROVIDE 1-1/2" (38mm) ADJUSTMENT

**STATIC LOAD RATING:** 2,000 lbs (900kg) PER LEG

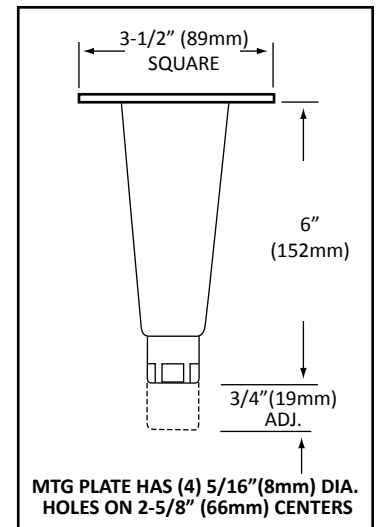
## HIGH IMPACT ABS PLASTIC EQUIPMENT LEGS



FOR ICE MAKERS, REACH-INS, COMMERCIAL REFRIGERATORS, COUNTERS & COMMERCIAL CABINETS



- 2000 lbs (900 kg) PER LEG STATIC LOAD RATING
  - BLACK MATTE FINISH
- TOUGH, DURABLE, HIGH IMPACT RESISTANT ABS PLASTIC BODY
- AVAILABLE WITH NON-REMOVABLE METAL TOE WITH NON-MARRING ABS PLASTIC BASE OR BLACK ABS NON-MARRING TOE
  - FULLY ADJUSTABLE TOE
- WRENCH FLATS ON TOE FOR EASY ADJUSTMENT
- 6" MINIMUM HEIGHT WITH ADJUSTABLE TOE
- CORROSION RESISTANT ZINC PLATING ON ALL STUDS



### ABS PLASTIC EQUIPMENT LEGS

MODEL NO.	MOUNTING TYPE	LEG COLOR	FOOT TYPE
AP63-2003-C	1/2 - 13 Flush Stud With 3-1/2" Square Mounting Plate	Black	Black
AP61-4003-C	1/2 - 13 Protruding Stud	Black	Nickel Plated Zamak
AP62-4003-C	5/8 - 11 Protruding Stud	Black	Nickel Plated Zamak
AP63-4003-C	1/2 - 13 Flush Stud With 3-1/2" Square Mounting Plate	Black	Nickel Plated Zamak
AP64-4003-C*	1/2 - 13 Flush Stud With 2-1/2 x 3-5/8" Rectangular Non-Removable Mounting Plate	Black	Nickel Plated Zamak

\* NON-STOCK ITEM - SEE PAGE E140 FOR MOUNTING PLATE DETAILS

#### SPECIFICATIONS

- FINISH:** BLACK MATTE FINISH
- TOE ADJUSTMENT:** LEGS ARE 6" (152mm) IN HEIGHT AND PROVIDE 3/4" (19mm) ADJUSTMENT
- STATIC LOAD RATING:** 2,000 lbs (900kg) PER LEG

## ECONOLINE EQUIPMENT LEGS DIE CAST ZAMAK

- THREADED STEEL STUD OR REMOVABLE MOUNTING PLATE PROVIDED FOR EASY MOUNTING OF LEGS TO EQUIPMENT
  - FOOT INSERTS ARE HEX SHAPED TO PERMIT QUICK HEIGHT ADJUSTMENT
- ALL LEGS MAY BE FURNISHED TO MEET SPECIFIC REQUIREMENTS WITH SPECIAL STUDS AND/OR MOUNTING PLATES
- LEGS MAY BE FURNISHED PACKAGED IN SETS OF FOUR WITH CUSTOMER'S PART NUMBER AS AN OPTION FOR KD SHIPPING

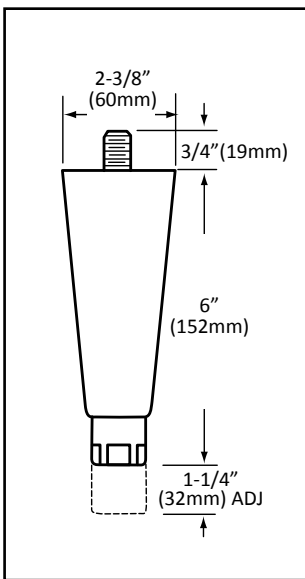


E



### Available in finishes of...

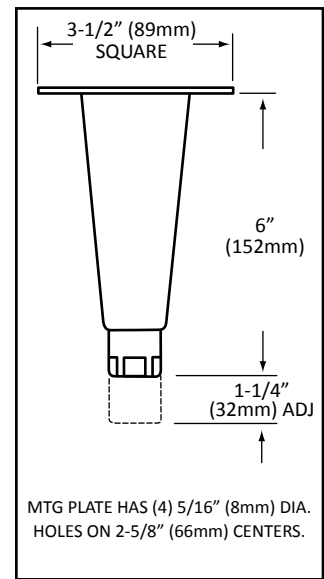
- NICKEL, BLACK EPOXY, GRAY EPOXY
- DURABLE, CHIP-RESISTANT FINISH
- REMOVABLE MOUNTING PLATE or PROTRUDING STUD
- WRENCH FLATS ON TOE FOR EASY ADJUSTMENT



### ECONOLINE DIE CAST EQUIPMENT LEGS

MODEL NO.	MOUNTING TYPE	LEG FINISH	FOOT TYPE
AE61-2003-C*		Black Epoxy	Hex
AE61-2104-C	Furnished With 1/2-13	Gray Epoxy	Hex
AE61-4002-C	Protruding Stud	Nickel	Hex
AE61-5002-C		Nickel	S/S Hex
AE62-4002-C		Nickel	Hex
AE62-2104-C	Furnished With 5/8-11	Gray Epoxy	Hex
AE62-5002-C	Protruding Stud	Nickel	S/S Hex
AE63-2003-C		Black Epoxy	Hex
AE63-4002-C	Furnished With 1/2-13 Flush Stud W/	Nickel	Hex
AE63-2104-C*	3-1/2" Square Removable Mounting Plate**	Gray Epoxy	Hex
AE63-5002-C		Nickel	S/S Hex

\* NON-STOCK ITEM - SEE PAGE E140 FOR MOUNTING PLATE DETAILS

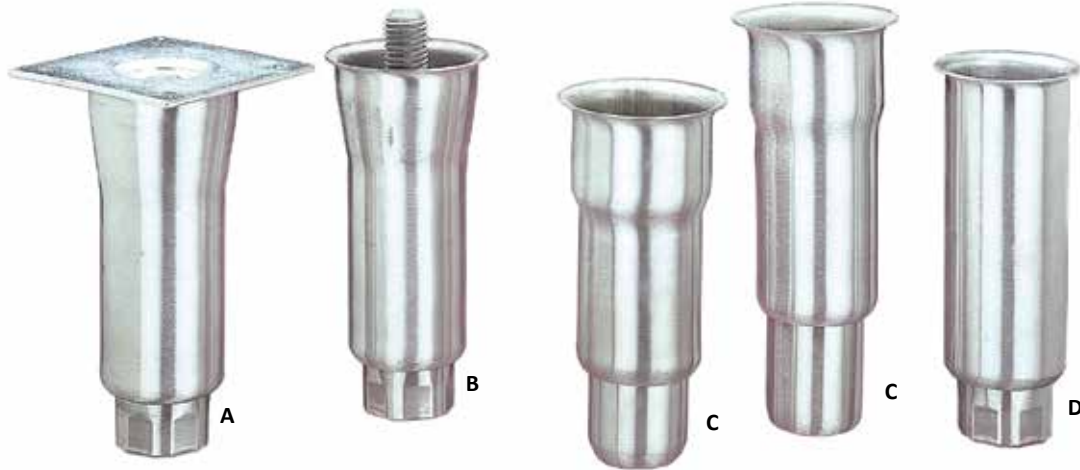


### SPECIFICATIONS

- MATERIAL:** DIE CAST ZAMAK CONSTRUCTION
- TOE ADJUSTMENT:** LEGS ARE 6" (152mm) IN HEIGHT AND PROVIDE 1-1/4" (32mm) ADJUSTMENT
- STATIC LOAD RATING:** 2000 lbs (900 kg) PER LEG

## HEAVY-DUTY STAINLESS STEEL EQUIPMENT LEGS

- THREADED STEEL STUD OR REMOVABLE MOUNTING PLATE PROVIDED FOR EASY MOUNTING OF LEGS TO EQUIPMENT
- ALL LEGS MAY BE FURNISHED TO MEET SPECIFIC REQUIREMENTS WITH SPECIAL STUDS AND /OR MOUNTING PLATES
- LEGS MAY BE FURNISHED PACKAGED IN SETS OF FOUR WITH CUSTOMER'S PART NUMBER FOR KD SHIPPING



### HEAVY-DUTY STAINLESS STEEL 2" (51mm) O.D. EQUIPMENT LEGS

- TAPERED BODY with LARGE FLARED TOP
- REMOVABLE MOUNTING PLATE
- FLUSH or PROTRUDING MOUNTING STUD

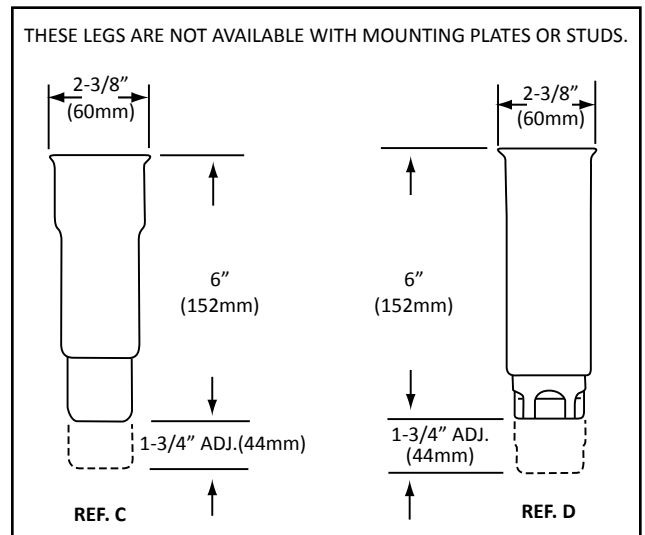
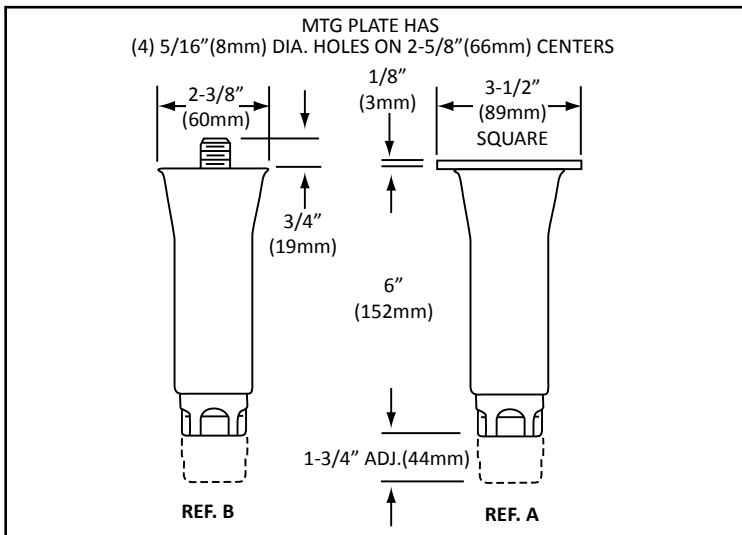


### HEAVY-DUTY STAINLESS STEEL 2" (51mm) O.D. EQUIPMENT LEGS for WELDED APPLICATIONS

- STEPPED SHAPE or STRAIGHT SHAPE with LARGE 2-3/8" (60mm) DIA. FLARED TOP

REF.	MODEL NO.	DESCRIPTION	FOOT	HEIGHT	ADJ.
A	A77-5048-C	Furn. With Removable Mounting Plate	Hex	6" (152mm)	1-3/4" (44mm)
NOT SHOWN	A78-5048-C	Furn. With 3/4"-10 Flush Stud	Hex	6" (152mm)	1-3/4" (44mm)
B	A79-5048-C	Furn. With 3/4"-10 Protruding Stud	Hex	6" (152mm)	1-3/4" (44mm)

REF.	MODEL NO.	DESCRIPTION	FOOT	HEIGHT	ADJ.
C	A72-0811	Stepped	Round	6" (152mm)	1-3/4" (44mm)
D	A52-9907-C	Straight	Hex	6" (152mm)	1-3/4" (44mm)



#### SPECIFICATIONS

**MATERIAL:** 2" (51mm) O.D. STAINLESS STEEL TUBING

**FINISH:** #4 FINISH

**TOE ADJUSTMENT:** LEGS ARE 6" (152mm) IN HEIGHT AND PROVIDE 1-3/4" (44mm) ADJUSTMENT

**STATIC LOAD RATING:** 2000 lbs (900 kg) PER LEG

## HEAVY-DUTY STAINLESS STEEL EQUIPMENT LEGS

- THREADED STEEL STUD OR REMOVABLE MOUNTING PLATE PROVIDED FOR EASY MOUNTING OF LEGS TO EQUIPMENT
  - FOOT INSERTS ARE HEX SHAPED TO PERMIT QUICK HEIGHT ADJUSTMENT
- ALL LEGS MAY BE FURNISHED TO MEET SPECIFIC REQUIREMENTS WITH SPECIAL STUDS AND/OR MOUNTING PLATE
  - LEGS MAY BE FURNISHED PACKAGED IN SETS OF FOUR WITH CUSTOMER'S PART NUMBER FOR KD SHIPPING



### HEAVY-DUTY STAINLESS STEEL 2" (51mm) O.D. EQUIPMENT LEGS

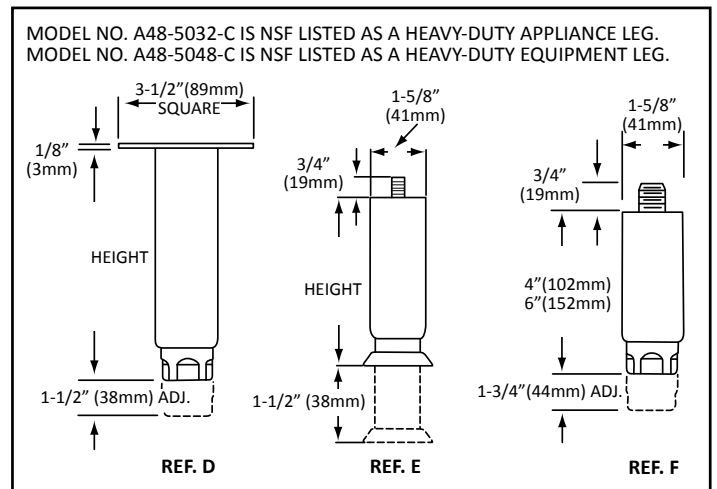
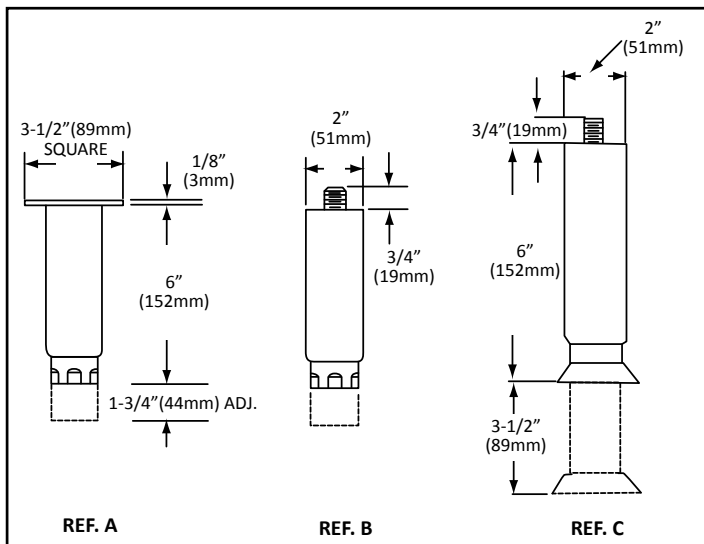


### HEAVY-DUTY STAINLESS STEEL 1-5/8" (41mm) O.D. EQUIPMENT LEGS

REF.	MODEL NO.	DESCRIPTION	HEIGHT
A	A84-5048-C	W/ Removable Mounting Plate	6" (152mm)
B	A86-5048-C	W/ 3/4-10 Protruding Stud	6" (152mm)
C	A85-9706-C	W/ 5/8-11 Protruding Stud And Non-Marking Black Nylon Flanged Toe	6" (152mm)

REF.	MODEL NO.	DESCRIPTION	HEIGHT
D	A48-5032-C	W/ Removable Mounting Plate	4" (102mm)
	A48-5048-C	W/ Removable Mounting Plate	6" (152mm)
E	A50-9704-C	W/ 1/2-13 Protruding Stud & Non-Marking Black Nylon Flanged Toe	4" (102mm)
	A50-5032-C	W/ 1/2-13 Protruding Stud	4" (102mm)
F	A50-5048-C	W/ 1/2-13 Protruding Stud	6" (152mm)

MOUNTING PLATES HAVE (4) 5/16" (8mm) DIA. HOLES ON 2-5/8" (66mm) CENTERS.



MODEL NO. A48-5032-C IS NSF LISTED AS A HEAVY-DUTY APPLIANCE LEG.  
MODEL NO. A48-5048-C IS NSF LISTED AS A HEAVY-DUTY EQUIPMENT LEG.

### SPECIFICATIONS

**MATERIAL:** 1-5/8" (41mm) AND 2" (51mm) O.D. STAINLESS STEEL TUBING

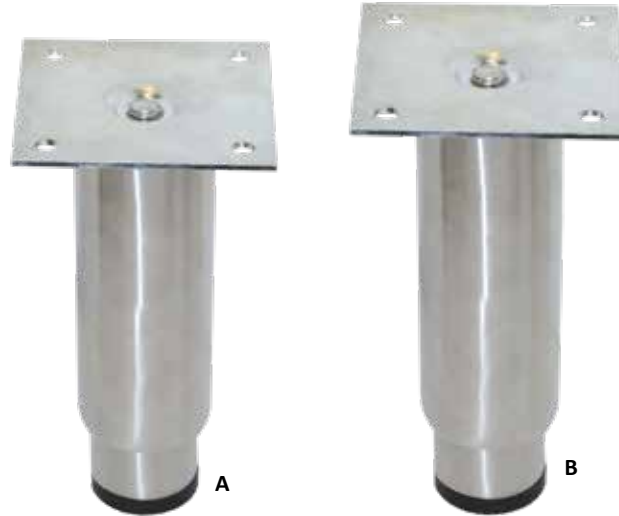
**FINISH:** #4 FINISH

**STATIC LOAD RATING:** 2000 lbs (900 kg) PER LEG



## HEAVY-DUTY STAINLESS STEEL EQUIPMENT LEGS

- 1-5/8" (41mm) AND 2" (51mm) DIAMETER MODELS AVAILABLE IN 6" (152mm) HEIGHT
  - SUPPLIED WITH 3-1/2" (89mm) SQUARE REMOVABLE MOUNTING PLATE
- BLACK THERMOPLASTIC GLIDE REDUCES SCRATCHING OF COUNTERTOPS AND PROVIDES A CONTEMPORARY LOOK
  - SATIN FINISH TO MATCH EQUIPMENT • 2000 lb (900 kg) STATIC LOAD RATING

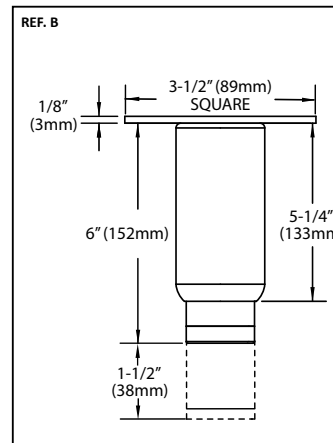
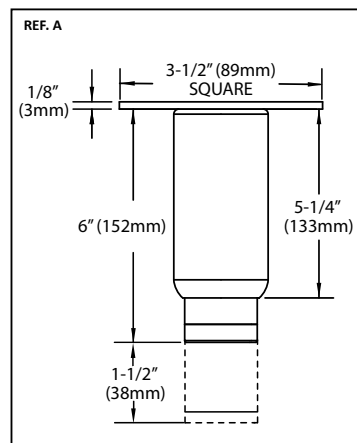


### HEAVY- DUTY STAINLESS STEEL 1-5/8" (41mm) AND 2" (51mm) O.D. EQUIPMENT LEGS



REF.	MODEL NO.	DESCRIPTION	HEIGHT	O.D.
A	AB48-5048-C	W/ Removable 3-1/2" Square Mounting Plate	6" (152mm)	1-5/8" (42mm)
B	AB84-5048-C	W/ Removable 3-1/2" Square Mounting Plate	6" (152mm)	2" (51mm)

SEE PAGE E140 FOR MOUNTING PLATE DETAILS



#### SPECIFICATIONS

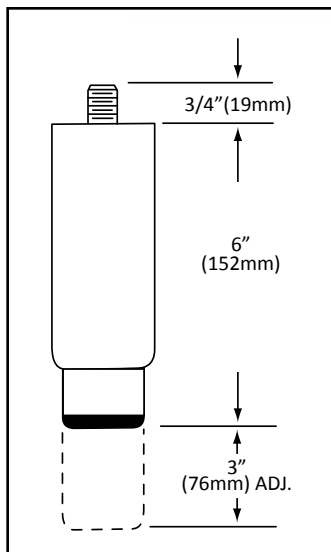
- MATERIAL:** 1-5/8" (41mm) AND 2" (51mm) O.D. STAINLESS STEEL TUBING  
**FINISH:** SATIN FINISH  
**STATIC LOAD RATING:** 2000 lbs (900 kg) PER LEG

## HEAVY-DUTY STAINLESS STEEL EQUIPMENT LEGS

- THREADED STEEL STUD, WELDED OR REMOVABLE MOUNTING PLATE PROVIDED FOR EASY MOUNTING OF LEGS TO EQUIPMENT
- ALL LEGS MAY BE FURNISHED TO MEET SPECIFIC REQUIREMENTS WITH SPECIAL STUDS AND/OR MOUNTING PLATES
- LEGS MAY BE FURNISHED PACKAGED IN SETS OF FOUR WITH CUSTOMER'S PART NUMBER FOR KD SHIPPING

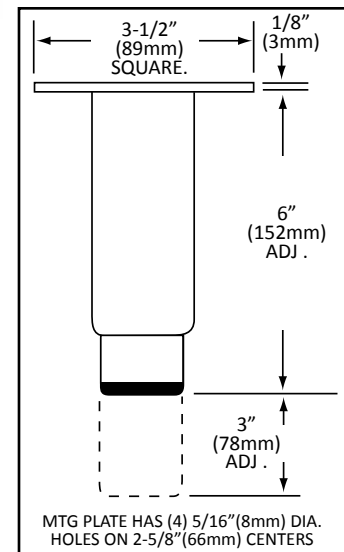


E



### HEAVY-DUTY STAINLESS STEEL 2" (51mm) O.D. EQUIPMENT LEGS WITH FULL 3" (76mm) ADJUSTMENT

- NON-MARKING BLACK NYLON TOE  
available with...
- REMOVABLE MOUNTING PLATE
- WELDED MOUNTING PLATE
- PROTRUDING STUD



MODEL NO.	DESCRIPTION	HEIGHT
A92-8048-C	Furnished With Welded Mounting Plate	6" (152mm)
A93-8048-C	Furnished With Removable Mounting Plate	6" (152mm)
A95-8048-C	Furnished With 3/4-10 Protruding Stud	6" (152mm)

#### SPECIFICATIONS

**MATERIAL:** 2" (51mm) O.D. STAINLESS STEEL TUBING

**FINISH:** #4 SATIN FINISH

**TOE ADJUSTMENT:** LEGS ARE 6" (152mm) IN HEIGHT AND PROVIDE 3" (76mm) ADJUSTMENT

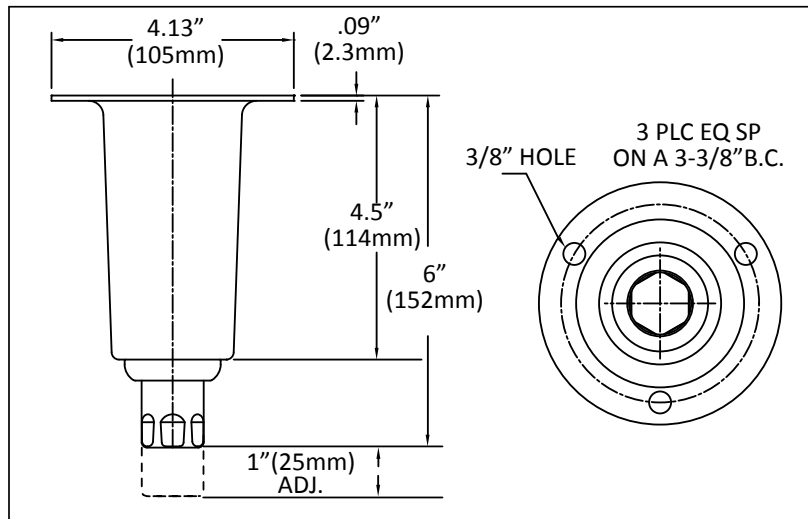
**STATIC LOAD RATING:** 2000 lbs (900 kg) PER LEG

## CHROME PLATED EQUIPMENT LEG

MODEL NO. A99-9906-C



- ADJUSTABLE HEX FOOT IS STAINLESS STEEL CLAD
- MATCHES INDUSTRY STANDARD SPECIFICATION



### SPECIFICATIONS

- MATERIAL:** CHROME PLATED STEEL CONSTRUCTION
- FINISH:** POLISHED CHROME
- TOE ADJUSTMENT:** LEGS ARE 6" (152mm) IN HEIGHT AND PROVIDE 1" (25mm) ADJUSTMENT
- STATIC LOAD RATING:** 2000 lbs (900 kg) PER LEG

# S/S One Piece Leg Assemblies With Full 3" Adjustment



## STAINLESS STEEL LEG ASSEMBLIES



### 1-5/8" (41mm) O.D. STAINLESS STEEL LEG ASSEMBLIES FULL 3" ADJUSTMENT FEATURE FOR STANDARD APPLICATIONS

- ECONOMICAL... ELIMINATES CUTTING, DEBURRING, POLISHING AND WASTE
- FULL 3" (76 mm) ADJUSTMENT • INDUSTRY STANDARD SIZES SHIPPED FROM STOCK
- EASILY CUT TO CUSTOM LENGTHS IN FABRICATOR'S SHOP • PERMITS KD SHIPMENT
- STANDARD PACKAGING 25 PER CARTON
- ALL LEGS MAY BE FURNISHED PACKAGED IN SETS OF FOUR. IDENTIFIED WITH CUSTOMER PART NUMBER AS AN OPTION FOR KD SHIPPING.

#### MODELS WITH PLAIN TOP ADJUSTABLE ROUND TOE

MODEL NO.	LEG DIA.	LENGTH	TOE TYPE
A46-6048-C	1-5/8" (41mm)	6" (152mm)	Round
A46-6080-C	1-5/8" (41mm)	10" (254mm)	Round
A46-6160-C	1-5/8" (41mm)	20" (508mm)	Round
A46-6272-C	1-5/8" (41mm)	34" (864mm)	Round
A46-6288-C	1-5/8" (41mm)	36" (914mm)	Round

#### MODELS WITH PLAIN TOP AND 3-1/2" (89mm) DIA. FLANGED TOE WITH 2 MOUNTING HOLES\*

MODEL NO.	LEG DIA.	LENGTH	TOE TYPE
A46-4048-C	1-5/8" (41mm)	6" (152mm)	3-1/2" (89mm) Dia. S/S Flange
A46-4080-C	1-5/8" (41mm)	10" (254mm)	3-1/2" (89mm) Dia. S/S Flange
A46-4160-C	1-5/8" (41mm)	20" (508mm)	3-1/2" (89mm) Dia. S/S Flange
A46-4272-C	1-5/8" (41mm)	34" (864mm)	3-1/2" (89mm) Dia. S/S Flange
A46-4288-C	1-5/8" (41mm)	36" (914mm)	3-1/2" (89mm) Dia. S/S Flange

\*NOTE: FLANGED FOOT MODELS HAVE 3-1/2" (89mm) O.D., 12 GA (2.6mm) STAINLESS STEEL FLANGE WITH A #4 SATIN FINISH, AND (2) 11/32" (9mm) DIA. MTG. HOLES SPACED 2-1/2" (64mm) O.C.

#### SPECIFICATIONS

- MATERIAL:** 1-5/8" (41mm) DIA., 16 ga (1.5mm) STAINLESS STEEL TUBING  
**FINISH:** #4 SATIN FINISH  
**TOE ADJUSTMENT:** 3" (76mm) MINIMUM  
**STATIC LOAD RATING:** 2000 lbs (900 kg) PER LEG

# Custom Stainless Steel Leg Assemblies



**STAINLESS STEEL**  
1-5/8" (41mm) & 2" (51mm) O.D.

## LEG ASSEMBLIES FOR CUSTOM APPLICATIONS

- ALL LENGTHS FROM 4" (102mm) to 36" (914mm)
- CHOOSE FROM ARRAY OF OPTIONAL TOPS AND ADJUSTABLE TOES
- PERMITS KD SHIPMENT

### SPECIFICATIONS

- MATERIAL:** 16 ga (1.5 mm) STAINLESS STEEL TUBING  
**FINISH:** #4 SATIN FINISH  
**TOE ADJUSTMENT:** 1-1/2" (40mm) MINIMUM  
**MOUNTING PLATES:** 11 ga (3mm) PLATED STEEL, 3-1/2" (89mm) SQUARE WITH (4) 5/16" (8mm) DIA. HOLES SPACED ON 2-5/8" (66mm) CENTERS  
**STATIC LOAD RATING:** 2,000 lbs PER LEG

**NON-STOCK ITEMS... CALL FOR LEAD TIME**  
**STANDARD PACKAGING...25 PER CARTON**

ALL LEGS MAY BE FURNISHED PACKAGED IN SETS OF FOUR, IDENTIFIED WITH CUSTOMER PART NUMBER, ETC.

## LEG ASSEMBLIES FOR CUSTOM APPLICATION

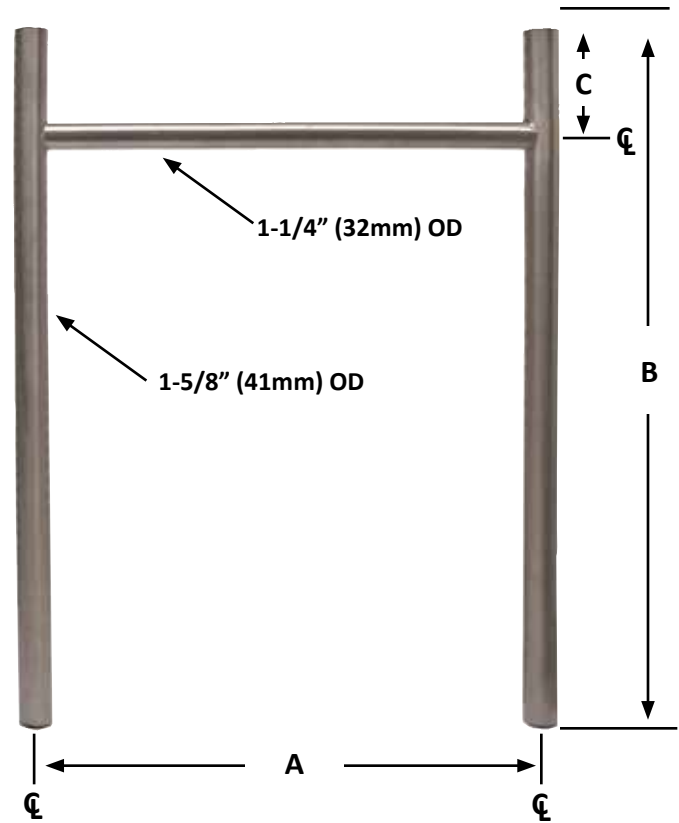
ORDERING INFORMATION FOR 1-5/8" (41mm) & 2" (51mm) O.D. LEG ASSEMBLIES						
FOR 1-5/8" (41 mm) O.D. LEG ASSEMBLIES USE PREFIX...A46 THRU A50 (SHOWN SHADED PURPLE ON CHART). FOR 2" (51 mm) O.D. LEG ASSEMBLIES USE PREFIX...A52 THRU A56.						
NSF COMPONENT	CUSTOM LEG TOPS AVAILABLE					OPTIONAL TOES AVAILABLE
	PLAIN	WELDED PLATE	REMOVABLE PLATE	FLUSH 1/2-13 STUD	PROTRUDING 1/2-13 STUD	
	A46-3___	A47-3___	A48-3___	A49-3___	A50-3___	
FLANGED NO HOLES		A52-3___	A53-3___	A54-3___	A55-3___	A56-3___
FLANGED WITH HOLES		A46-4___	A47-4___	A48-4___	A49-4___	A50-4___
	A52-4___	A53-4___	A54-4___	A55-4___	A56-4___	
S/S/ HEX		A46-5___	A47-5___	A48-5___	A49-5___	A50-5___
	A52-5___	A53-5___	A54-5___	A55-5___	A56-5___	
S/S ROUND		A46-6___	A47-6___	A48-6___	A49-6___	A50-6___
ROUND FOOT INSERTS NOT AVAILABLE FOR 2" (51mm) DIA. LEG ASSEMBLIES						

**TO ORDER:** SIMPLY SPECIFY LEG TOP AND ADJUSTABLE TOE DESIRED TOGETHER WITH THE LENGTH IN INCHES REQUIRED.  
**EXAMPLE:** 1-5/8" (41mm) O.D. WITH PLAIN TOP...SPECIFY A46 NYLON TIP...SPECIFY -2 24" (610mm) LENGTH...SPECIFY 24" (610mm).  
 THE PART NUMBERS IN THE CHART PROVIDE BLANKS TO ACCOMMODATE ANY LENGTH OF LEG BETWEEN 4" (102mm) AND 36" (914mm)  
 IN 1/8" (3mm) INCREMENTS. COMPONENT HARDWARE WILL USE THESE BLANKS TO CONVERT YOUR INDIVIDUAL DESIGN  
 AND LENGTH REQUIREMENT INTO ITS OWN PART NUMBER.

# Order Form- Custom Stainless Steel H-Frame Assembly

## AH46 SERIES CUSTOM STAINLESS STEEL H-FRAME ASSEMBLY

- 16 GAUGE STAINLESS STEEL
- 1-5/8" O.D. UPRIGHTS WITH 1-1/4" O.D. CROSS MEMBER
- COMPLETELY WELDED AND POLISHED
- SATIN FINISH
- ECONOMICAL
- CONVENIENT
- WIDE ARRAY OF POP-IN ADJUSTABLE FOOT INSERTS AVAILABLE
- PACKED TWO/CARTON FOR EASY KD SHIPMENT
- NON-STOCK (90-120 DAYS DELIVERY)
- QUANTITY ORDERS ONLY
- MUST SPECIFY DIMENSIONS A, B, C WHEN ORDERING



E

### TOE OPTIONS



STAINLESS STEEL HEX  
**A10-0851-C**

STAINLESS STEEL ROUND  
**A10-0852-C**

PLASTIC HEX (BLACK)  
**A10-0831-C**

PLASTIC HEX (GRAY)  
**A10-0841-C**

METAL DIE CAST HEX  
**A10-0811-C**

S/S 3" ADJUSTABLE HEX  
**A10-0881-C**



STAINLESS STEEL  
FLANGED (NO HOLES)  
**A10-0853-C**



STAINLESS STEEL  
FLANGED (WITH HOLES)  
**A10-0854-C**  
3" ADJUSTABLE  
**A10-0884-C**

**To Order:**

Company Name \_\_\_\_\_

Contact Person \_\_\_\_\_

Address \_\_\_\_\_

Purchase Order No. \_\_\_\_\_

Phone/email \_\_\_\_\_

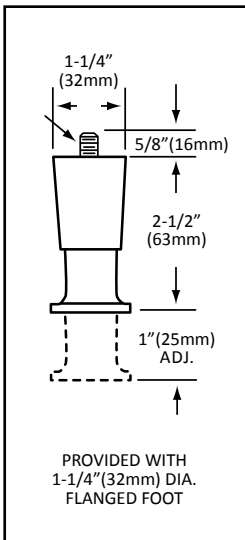
QTY	A-DIM	B-DIM	C-DIM

<b>ADJ. FOOT</b> *Please indicate none if no feet are required _____
--

Return completed information to CHG, or contact us.

1890 Swarthmore Avenue • Lakewood • NJ 08701 • Tel. 800-526-3694 • 732-363-4700 • Fax 732-364-8110





## 2-1/2" (63mm) HIGH ECONOMY SERIES APPLIANCE LEGS

- DIE CAST ZAMAK with NICKEL PLATED POLISHED FINISH
- FLANGE FOOT
- 2000 lbs (900 kg) STATIC LOAD CAPACITY PER LEG

**MODEL NO.  
AE60-1453**

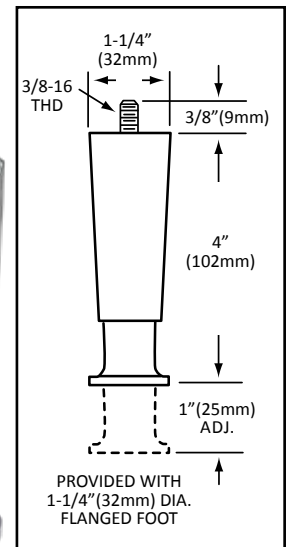


OPTIONAL NON-SKID FOOT PADS AVAILABLE  
SPECIFY - MODEL NO. AE60-X010 FOR GREY SILICONE

## 4" (102mm) HIGH ECONOMY SERIES APPLIANCE LEGS

- DIE CAST ZAMAK with NICKEL PLATED MATTE FINISH
- FLANGE FOOT
- 2000 lbs (900 kg) STATIC LOAD CAPACITY PER LEG

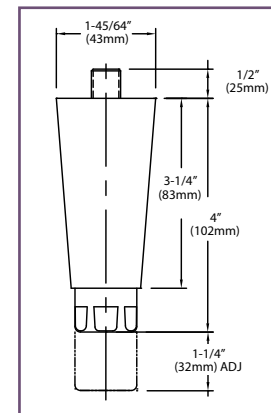
**MODEL NO.  
AE60-1653**



## 4" (102mm) HIGH EQUIPMENT LEG

- NICKEL PLATED ZAMAK
- 1-1/4" (32mm) ADJUSTMENT
- 1/2-13 x 1/2" MOUNTING STUD
- HEX TOE FOR EASY FIELD ADJUSTMENT
- SATIN FINISH
- STATIC LOAD CAPACITY 2000 lbs

MODEL NO.	FINISH	FOOT TYPE
AE41-4002-C	Satin Nickel	Hex



## HEAVY DUTY S/S APPLIANCE LEG

- 4" (102mm) HIGH
- 1/2" (51mm) DIA. FLANGE WITH PLASTIC GLIDE
- CONTEMPORARY DESIGN
- IDEAL FOR COFFEE MACHINES AND BEVERAGE DISPENSERS
- SATIN FINISH

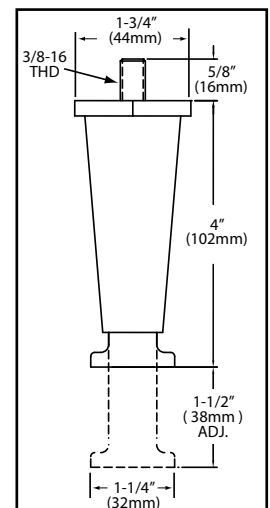
**MODEL NO. A99-9940-C**



## SKID RESISTANT APPLIANCE LEG

- IDEAL FOR BEVERAGE DISPENSERS AND OTHER LARGE COUNTERTOP APPLIANCES
- 4" (102mm) HIGH • BLACK THERMOPLASTIC FINISH • STATIC LOAD CAPACITY 200 LBS
- SPECIALLY ENGINEERED SLIP RESISTANT BLACK RUBBER FLANGED TOE COMPRESSES THE RUBBER FLANGE UNDER LOAD TO MINIMIZE LEG SLIPPAGE ON VARIOUS WORK SURFACES • PATENT PENDING

**MODEL NO. A60-0633-R**



# Appliance Legs



## APPLIANCE LEGS

### 4" (102mm) HIGH APPLIANCE LEGS

- THERMOPLASTIC  
BLACK, GRAY or CHROME PLATED

#### STATIC LOAD CAPACITY 200 lbs

REF.	MODEL NO.	FINISH	FOOT TYPE
A	A60-0631	Black	Hex
B	A60-0641	Gray	Dia
C	A60-0623	Chrome	Flange
D	A60-0633	Black	Flange

### 4" (102mm) HIGH APPLIANCE LEGS

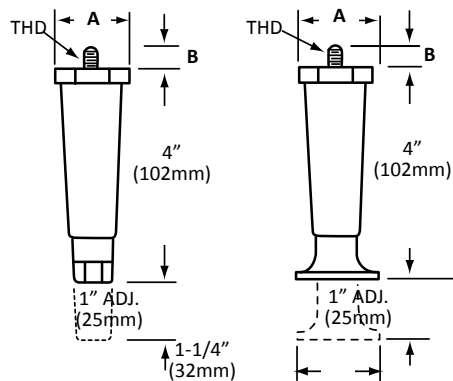
- DIE CAST METAL with SATIN NICKEL FINISH  
STATIC LOAD CAPACITY 250 lbs

REF.	MODEL NO.	FINISH	FOOT TYPE	STEM SIZE
E	A60-1651	Satin Nickel	Hex	3/8-16 x 5/8"L
F	A60-1653	Satin Nickel	Flange	3/8-16 x 5/8"L
F	A60-1653-SP1	Satin Nickel	Flange	1/4-20 x 3/8"L
F	A60-1653-SP2	Satin Nickel	Flange	5/16-18 x 1"L
F	A60-1653-SP3	Satin Nickel	Flange	5/16-18 x 1/2"L
F	A60-1653-SP4	Satin Nickel	Flange	5/16-18 x 5/8"L

E

LEG TYPE	*A	B
A60-16XX SERIES	1-7/16" (37mm)	3/8" (9mm)
A60-06XX SERIES	1-3/4" (44mm)	5/8" (16mm)

\*ACROSS HEX CORNERS

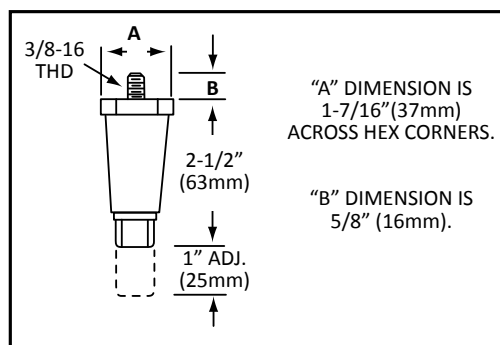


PROTRUDING STUDS HAVE 3/8-16 THREADS

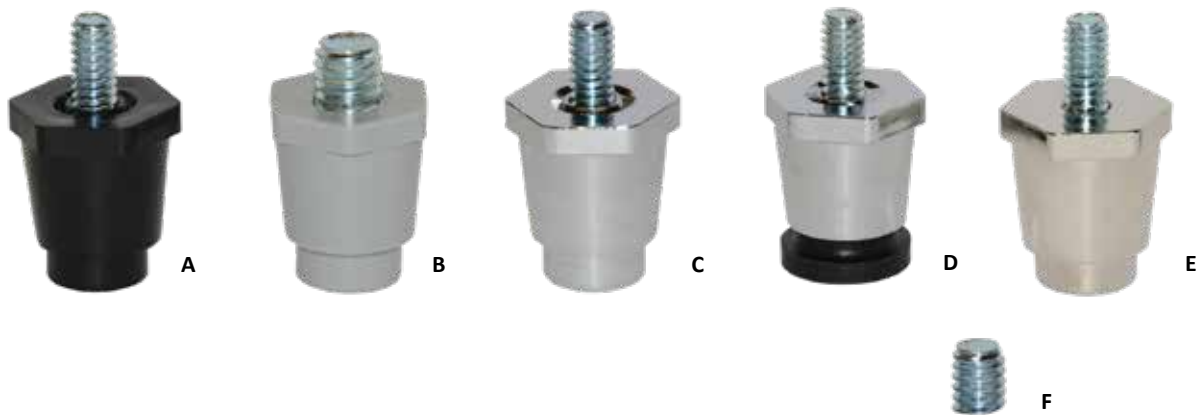
### 2-1/2" (63mm) HIGH APPLIANCE LEGS

- THERMOPLASTIC BLACK or GRAY  
STATIC LOAD CAPACITY 200 lbs

REF.	MODEL NO.	FINISH	FOOT TYPE
G	A60-0431	Black	Hex
H	A60-0441	Gray	Hex



OPTIONAL NON-SKID PADS AVAILABLE: FOR A60 SERIES HEX TOE - SPECIFY MODEL NO. A60-X003  
FOR A60 SERIES FLANGED TOE - SPECIFY MODEL NO. A60-X001



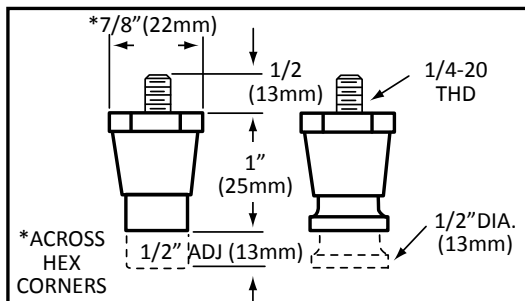
## APPLIANCE LEGS



### 1" (25mm) HIGH THERMOPLASTIC APPLIANCE LEGS STATIC LOAD CAPACITY 100 lbs

REF.	MODEL NO.	FINISH	FOOT TYPE
A	A60-2205	Black	Round
B	A60-2210*	Gray	Round
C	A60-2305	Chrome	Round
D	A60-2405	Chrome	Black Rubber Flange

\*FURNISHED WITH 3/8 - 16



REF. E

### 1" (25mm) HIGH ZAMAK APPLIANCE LEG

• HEAT RESISTANT

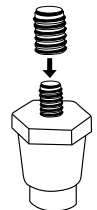
STATIC LOAD CAPACITY 100 lbs

MODEL NO.	FINISH	FOOT TYPE
A60-2105	Chrome	Round

REF. F

**THREAD CONVERTER**  
EASILY SCREWS ON EXISTING  
APPLIANCE LEG TO CONVERT  
1/4-20 PROTRUDING STUD THREAD  
TO A 3/8-16 THREAD

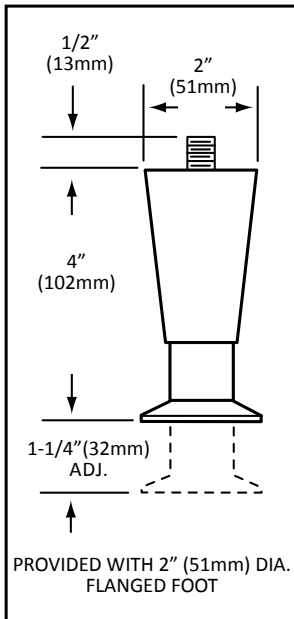
**MODEL NO. A60-1438**





## 4" (102mm) HIGH HEAVY DUTY APPLIANCE LEGS

- DESIGNED FOR LARGE COUNTERTOP APPLIANCES
- DIE CAST ZAMAK ADJUSTABLE FLANGE FOOT • OPTIONAL NON-SKID FOOT PADS AVAILABLE
- ROUGH, RUGGED THERMOPLASTIC BODY WITH STEEL STUD
- WRENCH FLATS FOR EASY INSTALLATION AND ADJUSTMENT • CHOICE OF BLACK OR NICKEL PLATED MATTE FINISHES
- 2000 lbs (900 kg) STATIC LOAD CAPACITY PER LEG



MODEL NO.	MOUNTING STUD	DESCRIPTION
A70-1000	1/2-13 Protruding	
A70-1010	1/2-13 Flush	Matte Black Thermoplastic Body With Matte Nickel Plated Zamak Flanged Foot
A70-1020	3/8-16 Protruding	
A70-1010-M	M12 Flush	
A70-1020-GL	3/8-16 Protruding	Matte Black Thermoplastic Body With Matte Nickel Plated Zamak Flanged Foot with Black Nylon Glide
A70-2000	1/2-13 Protruding	
A70-2010	1/2-13 Flush	Matte Nickel Plated Thermoplastic Body With Matte Nickel Plated Zamak Flanged Foot
A70-2020	3/8-16 Protruding	
A70-2010-M	M12 Flush	
A71-1020	3/8-16 Protruding	Hi-Temp Thermoplastic Rated To 300°F Constant, 350°F Intermittent

NOTE: OPTIONAL NON-SKID NEOPRENE FOOT PADS AVAILABLE  
SPECIFY MODEL NO. A70-X011 WHEN ORDERING





## CROSS BRACE FITTINGS

FOR 1-1/2" (38mm) O.D. LEGS  
and 1-5/8" (41mm) O.D. LEGS

Designed to mate 1-1/2" (38mm) and 1-5/8" (41mm) O.D. vertical legs with 1-1/4" (32mm) O.D. horizontal cross rails.  
These die cast aluminum or stainless steel (-SS) cross brace fittings eliminate notching, welding and polishing.  
Permits knock down shipping to reduce freight costs. Furnished with locking set screws for secure finished assembly.

E

**END  
CROSS BRACE FITTING**  
**MODEL NO. A35-2020**  
TO SUIT 1-1/2" (38mm)  
VERTICAL LEGS

**MODEL NO. A35-1020**  
**MODEL NO. A35-1020-SS**  
TO SUIT 1-5/8" (41mm)  
VERTICAL LEGS

1-1/2" (38mm)  
OR  
1-5/8" (41mm)

3" (76mm)

1-1/4" (32mm)

1" (25mm)  
TYPICAL

**CORNER  
CROSS BRACE FITTING**  
**MODEL NO. A35-2010**  
TO SUIT 1-1/2" (38mm)  
VERTICAL LEGS

**MODEL NO. A35-1010**  
**MODEL NO. A35-1010-SS**  
TO SUIT 1-5/8" (41mm)  
VERTICAL LEGS

1-1/2" (38mm)  
OR  
1-5/8" (41mm)

3" (76mm)

1-1/4" (32mm)  
TYPICAL

1" (25mm)  
TYPICAL

**CENTER  
CROSS BRACE FITTING**  
**MODEL NO. A35-2030**  
TO SUIT 1-1/2" (38mm)  
VERTICAL LEGS

**MODEL NO. A35-1030**  
TO SUIT 1-5/8" (41mm)  
VERTICAL LEGS

1-1/2" (38mm)  
OR  
1-5/8" (41mm)

4" (102mm)

1-1/4" (32mm)  
TYPICAL

3" (76mm)

1" (25mm)  
TYPICAL

**CENTER  
CROSS BRACE FITTING**  
**MODEL NO. A35-1025-SS**  
TO SUIT 1-5/8" (41mm)  
VERTICAL LEGS

1-5/8" (41mm)

4" (102mm)

1-1/4" (32mm)  
TYPICAL

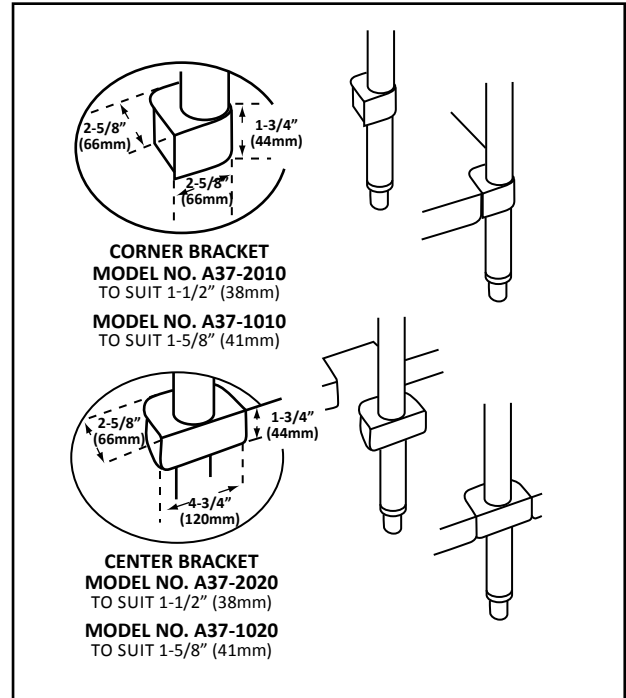
NSF STANDARDS GOVERNING THE USE OF SET SCREWS IN NON-FOOD ZONES REQUIRES THE PLUGGING OF THE HEX SOCKET HOLE AFTER FINAL ASSEMBLY AND TIGHTENING. THIS MAY BE ACCOMPLISHED BY APPLYING A HARDENING TYPE SILICONE SEALANT OR THE USE OF A HOLE PLUG. STANDARD NSF TYPE PUSH-IN PLASTIC HOLE PLUGS ARE AVAILABLE. SPECIFY A10-0020 WHEN ORDERING.



## QUICK CORNER™ BRACKETS

FOR ADJUSTABLE UNDERSHELVES  
FOR 1-1/2" (38mm) O.D. LEGS  
and 1-5/8" (41mm) O.D. LEGS

QUICK CORNER BRACKETS are pre-finished die cast aluminum components. They are easily fastened to pre-notched sheet metal undershelves to provide strong, secure, rigid undershelf support assemblies. Adjusting screws are provided for setting the undershelf to any desired height. Welding, grinding and polishing is eliminated and knock-down shipping is facilitated. Corner and center brackets are designed for either 1-1/2" (38mm) or 1-5/8" (41mm), O.D. tubing. Notching diagrams are provided with installation instructions.



NSF STANDARDS GOVERNING THE USE OF SET SCREWS IN NON-FOOD ZONES REQUIRES THE PLUGGING OF THE HEX SOCKET HOLE AFTER FINAL ASSEMBLY AND TIGHTENING. THIS MAY BE ACCOMPLISHED BY APPLYING A HARDENING TYPE SILICONE SEALANT OR THE USE OF A HOLE PLUG. STANDARD NSF TYPE PUSH-IN PLASTIC HOLE PLUGS ARE AVAILABLE. SPECIFY A10-0020 WHEN ORDERING.

E

## REMOVABLE MOUNTING PLATES

• 11 ga (3mm) ZINC PLATED STEEL

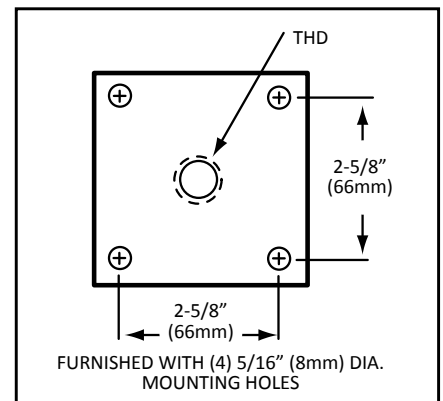
### SQUARE MOUNTING PLATES

3-1/2" x 3-1/2"  
(89mm x 89mm)

MODEL NO. A44-X301-C  
(1/2-13 TH'D)

MODEL NO. A44-X309-C  
(5/8-11 TH'D)

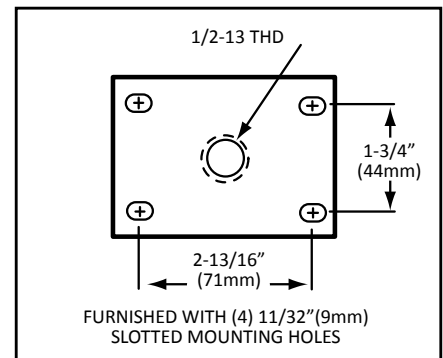
MODEL NO. A44-X341-C  
(3/4-10 TH'D)



### RECTANGULAR MOUNTING PLATES

2-1/2" x 3-5/8"  
(63mm x 92mm)

MODEL NO. A44-X327-C





**ADJUSTABLE  
FOOT LEVELERS**  
• NON-MARKING

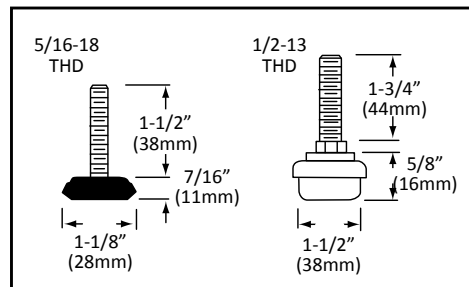


**MODEL NO.  
A60-2724**

500lbs load capacity  
per glide



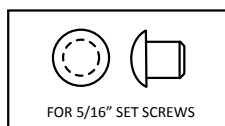
**MODEL NO.  
A60-4444**



**SET SCREW  
HOLE PLUGS**

**MODEL NO. A10-0020**

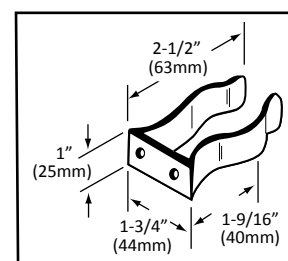
TO COMPLY WITH NSF REQUIREMENTS...  
ALL SET SCREW SOCKET OPENINGS  
MUST BE PLUGGED AFTER FINAL ASSEMBLY  
AND TIGHTENING



**KICK PLATE  
SPRING CLAMP**

**MODEL NO. A76-4460**

• FITS ON 1-1/4" PIPE, 1-5/8" (41mm) and  
2" (51mm) O.D. TUBING • ZINC PLATED STEEL



# INSTITUTIONAL CASTERS



Bumper Components



Plate Casters • Stem Casters  
Expanding Fastener Casters  
Rigid Casters • Brake Models  
Universal Mounting Plate Models

CASTER TERMINOLOGY & SELECTION	F143	STANDARD DUTY PLATE CASTERS	F154
AVAILABLE WHEELS	F144	STANDARD DUTY STEM CASTERS	F155
CASTER SPECIALTIES & ACCESSORIES	F145	MEDIUM DUTY PLATE CASTERS	F156
REGAIL RIDE™ CASTER PACKS	F146-F147	MEDIUM DUTY STEM CASTERS	F157-F158
REGAIL RIDE™ MEDIUM DUTY SWIVEL PLATE CASTERS	F148	STAINLESS STEEL CASTERS	F159
REGAIL RIDE™ RIGID, SWIVEL PLATED AND THREADED CASTERS	F149	THREADED STEM AND PLATE CASTERS	F160
UNIVERSAL MOUNTING PLATE & 3-1/2" CASTERS	F150	ADJUSTABLE CASTER LEG ASSEMBLIES	F161
REGAIL RIDE™ MEDIUM DUTY THREADED STEM CASTERS	F151	MOBILE EQUIPMENT ACCESSORIES	F162-F163
REGAIL RIDE™ MEDIUM DUTY SWIVEL EXPANDING STEM CASTERS	F152-F153	MOUNTING PLATE HOLE PATTERN CONFIGURATOR	F164-F166
		CASTER CONFIGURATOR	F167

## CASTER TERMINOLOGY

### LOAD (OVERALL) HEIGHT

The vertical distance between the floor and mounting point of the equipment.

### OFFSET or LEAD

The horizontal distance between vertical center lines thru the king pin and wheel center.

### SWIVEL RADIUS

The horizontal distance from the vertical center line of the king pin to the outside edge of the wheel tread. This dimension specifies the minimum distance required for the caster to swivel 360 degrees when mounted.

### STEM CASTER versus PLATE CASTER

Stem casters are either threaded for mounting to a tapped mounting plate or designed with a rubber expanding applicator for mounting the caster to tubing. The construction of the applicator is designed to provide maximum compression against the inside of the tubing thus ensuring a securely assembled caster.

Plate casters are provided with a plate pre-drilled with bolt mounting holes.

### RIGID CASTERS

Plate models available from stock. Other styles available on application.

### BRAKE and NON-BRAKE CASTERS

Standard brake is on the side of the wheel. "Top Lock" brakes are activated by a foot pedal on the top of the wheel and lock only the wheel. "Total Lock" brakes also activated by a foot pedal on the top of the wheel but lock the wheel and prevent the wheel from swiveling.

### WHEEL BEARINGS

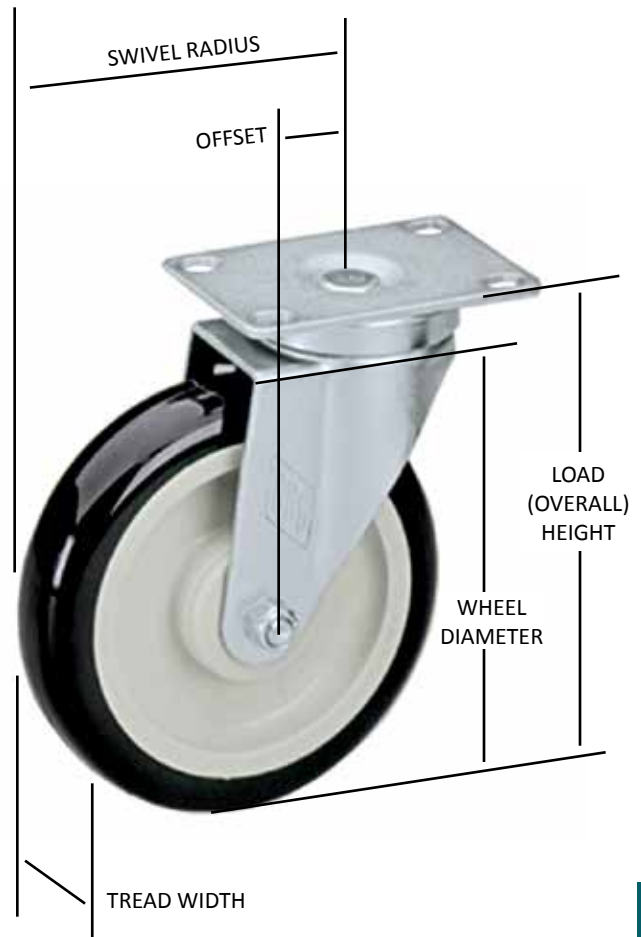
Wheel bearings may be either sintered or ball bearing types.

### SINTERED

A powdered metal, oil impregnated straight bearing that is self-lubricating, long lasting and impervious to heat and cold.

### BALL BEARING

A flanged, permanently lubricated bearing, pressed in on each side of the wheel hub.



COMPONENT

### NATIONAL SANITATION FOUNDATION

ALL CASTERS SHOWN IN THIS CATALOG BEARING THE NSF SEAL MEET THE REQUIRED CONSTRUCTION STANDARDS AND ARE LISTED UNDER FOOD SERVICE EQUIPMENT CRITERIA C2

F

## CASTER SELECTION

### LOAD WEIGHT

The heavier the load, the larger the wheel required for the caster. The weight of the load also influences the mobility of the wheel. Weight requirements per caster may be specified as:

**Light Duty: 0-80 lbs (0-35 kg)    Standard Duty: 100-200 lbs (45-90 kg)**  
**Medium Duty: 200-300 lbs (90-135 kg)    Heavy Duty: 300-500 lbs (135-225 kg)**  
**Extra Heavy Duty: 500 lbs+ (225 kg+)**

### FLOOR CONDITIONS

The correct diameter of caster wheel is one that is large enough to pass over floor cracks and other similar obstacles. In choosing the correct caster, consideration must be given to the type of floor such as ceramic, tile, vinyl, brick or cement. Surface conditions are affected by grease, detergent, and heat. Autoclave requirements also bear on the choice of caster.

## WHEELS AVAILABLE FROM STOCK

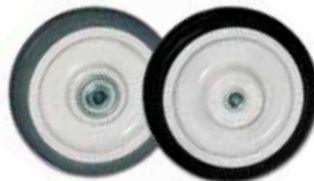
Institutional caster wheels are offered in a large variety of types, treads, materials and sizes. The type and size of wheels chosen depends on several considerations.

1. The total overall weight of the load
2. The floor surface and conditions
3. Unusual environmental conditions such as moisture, extreme heat or cold
4. Exposure to chemicals, salt, oil, blood, fats, etc
5. Shock loading and other physical impacts
6. Noise



### POLYOLEFIN WHEELS

Very economical, solid polyolefin wheels are also lightweight, hard and easy rolling. Made from durable thermoplastic, these wheels generally require no bearings and are ideal for use in corrosive conditions which can cause continual, costly, bearing replacement. Polyolefin material resists most oils, grease, solvents, acids and other chemicals. Temperature range is -20°F to 180°F (-29°C to 82°C).



### POLYURETHANE WHEELS

Polyurethane wheels are manufactured with a precision molded polyurethane tire mechanically locked to a polyolefin core. They are chemical and corrosion resistant. Virtually indestructible, polyurethane wheels are at the same time economical and smart in appearance. Temperature range is -30°F to 180°F (-34°C to 82°C).



### SOLID RUBBER WHEELS

All solid rubber wheels are molded of top quality rubber compounds and are non-marking. Maximum rolling efficiency and longer trouble free service are features. Temperature range is -30°F to 160°F (-34°C to 71°C).

### WHEEL APPLICATION GUIDE

	CAPACITY (LBS/WHEEL)	TEMPERATURE RANGE (F)	SHORE HARDNESS
SOLID SOFT RUBBER	150-500	-30 TO + 180	95+/- 5
SOLID HARD RUBBER	150-500	-30 TO + 180	95+/- 5
POLY-LOC GRAY OR BLUE	150-500	-30 TO + 180	95+/- 5
POLYOLEFIN	100-500	-20 TO + 190	65 +/- 5
PHENOLIC	100-500	-45 TO + 250	65 +/- 5
PHENOLIC HI-TEMP	100-500	-45 TO + 450	65 +/- 5

## WHEELS AVAILABLE ON SPECIAL APPLICATION



### HIGH MODULUS WHEELS

HIGH MODULUS E-Z RIDER WHEELS OFFER EXTREME RESILIENCY AND MOBILITY. THESE SHOCK AND NOISE REDUCING WHEELS ARE IDEAL FOR SMOOTH, QUIET RIDE ON ROUGH OR UNEVEN FLOORS. THEY ARE ALSO NON-MARKING AND DURABLE TO WITHSTAND FREQUENT WASHING CYCLES. E-Z RIDERS ARE ESPECIALLY SUITED FOR HOSPITAL APPLICATIONS. TEMPERATURE RANGE IS -20°F TO 160°F (-29°C TO 71°C).



### PHENOLIC WHEELS

PHENOLIC WHEELS ARE COMPRESSION MOLDED PHENOLIC RESIN, FILLED WITH MACERATED CANVAS. THEY ARE HARD TREAD WHEELS WITH HIGH LOAD CAPACITY AND ARE HEAT RESISTANT AND UNAFFECTED BY MOST OILS AND OTHER CHEMICALS. THEY ROLL EASILY AND MORE QUIETLY THAN STEEL OR CAST IRON, PROVIDING GREATER FLOOR PROTECTION. PHENOLIC WHEELS ARE IDEAL FOR MATERIAL HANDLING APPLICATIONS. TEMPERATURE RANGE IS -45°F TO 250°F (-43°C TO 121°C).



### SOLID RUBBER WHEELS

ALL SOLID RUBBER WHEELS ARE MOLDED OF TOP QUALITY RUBBER COMPOUNDS AND ARE NON-MARKING. MAXIMUM ROLLING EFFICIENCY AND LONGER TROUBLE FREE SERVICE ARE FEATURES. TEMPERATURE RANGE IS -30°F TO 160°F (-34°C TO 71°C).



### HIGH TEMPERATURE PHENOLIC WHEELS

IN ADDITION TO ALL OF THE FEATURES OF THE PHENOLIC WHEELS, HIGH TEMPERATURE PHENOLIC WHEELS OFFER A SPECIAL HIGH TEMPERATURE OPERATING RANGE OF -45°F TO 450°F (-43°C TO 230°C). THIS UNIQUE FEATURE IS ESPECIALLY IMPORTANT IN APPLICATIONS SUCH AS ROLL-IN BAKING OVENS.

## CASTER SPECIALTIES AND ACCESSORIES

THE FOLLOWING CASTER SPECIALTIES AND ACCESSORIES ILLUSTRATED ARE REPRESENTATIVE OF THE RANGE OF SPECIALTY CASTER DESIGNS AVAILABLE. TECHNICAL ASSISTANCE IS AVAILABLE FOR SPECIAL REQUIREMENTS.



### THREADED STEM CASTERS

COMPLEMENTING THE STOCK CASTERS FEATURED IN THIS CATALOG IS A WIDE RANGE OF THREADED STEM CASTERS AVAILABLE TO ACCOMMODATE SPECIAL REQUIREMENTS. AMONG THE THREADED STEMS MOST COMMONLY USED AND AVAILABLE ARE:

1/2-13 x 3/4" (19 mm)    1/2-13 x 1" (25 mm)    5/8-11 x 1-3/4" (44 mm)  
 5/8-18 x 1-3/4" (44 mm)    3/4-10 x 1-3/4" (44 mm)



### STEMS FOR SPECIAL APPLICATIONS

COMPONENT HARDWARE GROUP ALSO OFFERS A VARIETY OF SPECIALTY STEM CASTERS INCLUDING THOSE WITH STEMS DESIGNED WITH DRILLED HOLES AND SPRING RINGS. ALSO OFFERED ARE SQUARE, HEXAGONAL OR OCTAGONAL SHAPED STEMS.



### ZERK GREASE FITTINGS AND SEALS

ZERK GREASE FITTINGS AND SEALS ARE RECOMMENDED WHEN IT IS IMPORTANT TO MAINTAIN GOOD CASTER LUBRICATION FOR EASIER CASTER SWIVELING AND LONGER BEARING LIFE. ZERK GREASE FITTINGS PROVIDE A CONVENIENT METHOD OF LUBRICATION. THESE SEALS EFFECTIVELY RETAIN THE LUBRICANT WHILE PREVENTING DIRT OR MOISTURE FROM ENTERING THE LUBRICATED AREAS. SEALS ARE EFFECTIVE TOO, WHERE EQUIPMENT IS EXPOSED TO FREQUENT WASHINGS OR STERILIZATION CYCLES. SEALS USED AT THE SWIVEL OR AXLE BEARING, OFFER HIGH RESISTANCE TO GREASE, OILS, CHEMICALS AND DETERGENTS.

F



### MOUNTING PLATES

IN ADDITION TO THE STOCK MOUNTING PLATES SHOWN IN THIS CATALOG, ADDITIONAL SIZES ARE OFFERED TO MATCH A WIDE VARIETY OF BOLT HOLE PATTERNS CURRENTLY USED BY MOST CASTER MANUFACTURERS.



### TOP LOCK CASTER

- SOLD SEPARATELY OR AS PART OF OUR FINISHED CASTER
  - STAINLESS STEEL CONSTRUCTION
  - LARGE ON/OFF PEDAL FOR EASY OPERATION
- FORM-FITTING TEETH LOCK THE LOWER RACE FOR FULL STRENGTH ENGAGEMENT.
  - SIMPLE AND EFFECTIVE WITH QUICK ENGAGEMENT AND RELEASE

TOP LOCK CAN BE RETROFITTED TO MOST POPULAR CASTERS USING KITS.

#### TOP LOCK BRAKE KIT - MODEL NO. CTB-1500

AVAILABLE FOR ALL TYPES OF REGAL RIDE™ 5" CASTERS

#### BRAKE MECHANISM:

"TOP LOCK" BRAKE -  
 PRESS THE BRAKE PEDAL AND LOCK THE WHEEL.

# Regal Ride Caster Packs



MODEL NO.	DUTY	MOUNTING STYLE	CASTERS	WHEEL DIA.	WHEEL TYPE	PACK
CSTPK-1PUP-4B	Medium	3-1/2" X 3-1/2" Universal Plate, Low Profile	N/A	1"	Black Polyolefin	With Brake, 4 Pack
CSTPK-2PUP-4B	Medium	3-1/2" X 3-1/2" Universal Plate, Low Profile	N/A	2"	Black Polyolefin	With Brake, 4 Pack
CSTPK-2PUTS-B	Medium	1/2"-13 x 1 Threaded Stem	N/A	2"	Blue Polyolefin	With Brake, 4 Pack
CSTPK-3BTS	Medium	1/2" - 13 x 1-1/2" Threaded Stem	(2) CMT1-3BBN (2) CMT1-3BPN	3"	Black Polyolefin	2 Brake/2 Non Brake
CSTPK-3BTS-7B	Medium	1/2" - 13 x 3/4" Threaded Stem	(4) CMT4-3BBN	3"	Black Polyolefin	With Brake, 4 Pack
CSTPK-3BTS-B	Medium	1/2" - 13 x 1-1/2" Threaded Stem	(2) CMT1-3BBN (2) CMT1-3BPN	3"	Black Polyolefin	With Brake, 4 Pack
CSTPK-3PAL	Medium	3-1/2" x 3-1/2" Square Plate with Adjustable Stem	(4) C48-03185-C	3"	Black Polyolefin	4 Brake
CSTPK-3PAL-1	Medium	3-1/2" x 3-1/2" Square Plate with Adjustable Stem	(2) C47-0306-C (2) C47-0316-C	3"	Black Polyolefin	2 Brake/2 Non Brake
CSTPK-3PES	Medium	1-5/8" Expanding Stem	(2) CMS4-3BBN (2) CMS4-3BPN	3"	Black Polyolefin	2 Brake/2 Non Brake
CSTPK-3PRS	Medium	Spring Ring Stem For Shelving Posts	(2) C99-1030 (2) C99-1031	3"	Black Polyolefin	2 Brake/2 Non Brake
CSTPK-3PSP	Medium	2-3/8" x 3-5/8" Swivel Plate	(2) CMP1-3BBN (2) CMP1-3BPN	3"	Black Polyolefin	2 Brake/2 Non Brake
CSTPK-3PUES-3	Medium	1-1/2" Expanding Stem	(2) CMS3-3PBB (2) CMS3-3PPB	3"	Blue Polyurethane	2 Brake/2 Non Brake
CSTPK-3PUES-3B	Medium	1-1/2" Expanding Stem	(4) CMS3-3PBB	3"	Blue Polyurethane	With Brake, 4 Pack
CSTPK-3PUES-4	Medium	1-5/8" Expanding Stem	(2) CMS4-3PPB (2) CMS4-3PBB	3"	Blue Polyurethane	2 Brake/2 Non Brake
CSTPK-3PUES-4B	Medium	1-5/8" Expanding Stem	(4) CMS4-3PBB	3"	Blue Polyurethane	With Brake, 4 Pack
CSTPK-3PUUP-B	Medium	4" X 4" Universal Plate	N/A	3"	Blue Polyurethane	With Brake, 4 Pack
CSTPK-3PUUP-4B	Medium	3-1/2" X 3-1/2" Universal Plate	N/A	3"	Blue Polyurethane	With Brake, 4 Pack
CSTPK-4PBB	Medium	4" x 4-1/2" Swivel Plate	(2) CMP6-35PPB (2) CMP6-35PBB	4"	Blue Polyurethane	2 Brake/2 Non Brake
CSTPK-4PSP	Medium	2-3/8" X 3-5/8" Swivel Plate	(2) CMP1-4BPN (2) CMP1-4BBN	4"	Black Polyolefin	2 Brake/2 Non Brake
CSTPK-4PUTS-1B	Medium	1/2"- 13 X 1-1/2" Threaded Stem	(4) CMT4-4PBB	4"	Blue Polyurethane	With Brake, 4 Pack
CSTPK-4RES	Medium	1-5/8" Expanding Stem	(2) CMS4-4RPB (2) CMS4-4RBB	4"	Grey Polyurethane	2 Brake/2 Non Brake
CSTPK-5BTS	Medium	1/2" - 13 1-1/2" Threaded Stem	(2) CMT1-5BBN (2) CMT1-5BPN	5"	Black Polyolefin	2 Brake/2 Non Brake
CSTPK-5BUP	Medium	4" x 4" Universal Plate	(2) CMPU-5PBB (2) CMPU-5PPB	5"	Blue Polyurethane	2 Brake/2 Non Brake
CSTPK-5PES	Medium	1-5/8" Expanding Stem	(2) CMS4-5BBN (2) CMS4-5BPN	5"	Black Polyolefin	2 Brake/2 Non Brake
CSTPK-5PES-1	Medium	1" Expanding Stem	(2) CMS1-5BBN (2) CMS1-5BPN	5"	Black Polyolefin	2 Brake/2 Non Brake
CSTPK-5PES-2	Medium	1-1/4" Expanding Stem	(2) CMS2-5BBN (2) CMS2-5BPN	5"	Black Polyolefin	2 Brake/2 Non Brake
CSTPK-5PES-3	Medium	1-1/2" Expanding Stem	(2) CMS3-5BBN (2) CMS3-5BPN	5"	Black Polyolefin	2 Brake/2 Non Brake
CSTPK-5PES-4B-6	Medium	1-5/8" Expanding Stem	(6) CMS4-5PBB	5"	Black Polyolefin	With Brake, 6 Pack

F





MODEL NO.	DUTY	MOUNTING STYLE	CASTERS	WHEEL DIA.	WHEEL TYPE	PACK
CSTPK-5PFC-B	Medium	Female Collar	N/A	5"	Blue Polyurethane	With Brake, 4 Pack
CSTPK-5PRS	Medium	Spring Ring Stem For Shelving Posts	(2) C99-1050 (2) C99-1051	5"	Black Polyolefin	2 Brake/2 Non Brake
CSTPK-5PRS-B	Medium	Spring Ring Stem For Shelving Posts	(4) C99-1051	5"	Black Polyolefin	With Brake, 4 Pack
CSTPK-5PRS-SP1	Medium	Spring Ring Stem For Shelving Posts with bumpers	(2) C99-1050 (2) C99-1051	5"	Black Polyolefin	2 Brake/2 Non Brake
CSTPK-5PSP	Medium	2-3/8" x 3-5/8" Swivel Plate	(2) CMP1-5BBN (2) CMP1-5BPN	5"	Black Polyolefin	2 Brake/2 Non Brake
CSTPK-5PTS	Medium	Threaded Stem	(2) CMT3-5BPN (2) CMT3-5BBN	5"	Black Polyolefin	2 Brake/2 Non Brake
CSTPK-5PUES-3B	Medium	1-1/2" Expanding Stem	(4) CMS3-5PBB	5"	Grey Polyurethane	With Brake, 4 Pack
CSTPK-5PUES-4B	Medium	1-5/8" Expanding Stem	(4) CMS4-5PBB	5"	Grey Polyurethane	With Brake, 4 Pack
CSTPK-5PUES-4B-6	Medium	1-5/8" Expanding Stem	(6) CMS4-5PBB	5"	Grey Polyurethane	With Brake, 6 Pack
CSTPK-5PUP	Medium	4" x 4" Universal Plate	(2) CMPU-5BPN (2) CMPU-5BBN	5"	Black Polyolefin	2 Brake/2 Non Brake
CSTPK-5PUP-4	Medium	3-1/2" x 3-1/2" Universal Plate	N/A	5"	Black Polyolefin	2 Brake/2 Non Brake
CSTPK-5PURS	Medium	1" Spring Ring Stem	(2) C99-3050 (2) C99-3051	5"	Grey Polyurethane	2 Brake/2 Non Brake
CSTPK-5PURS-B	Medium	1" Spring Ring Stem	(4) C99-3051	5"	Grey Polyurethane	With Brake, 4 Pack
CSTPK-5PUSP	Medium	2-3/8" x 3-5/8" Swivel Plate	(2) CMP1-5RPB (2) CMP1-5RBB	5"	Grey Polyurethane	2 Brake/2 Non Brake
CSTPK-5PUSP-B	Medium	2-3/8" x 3-5/8" Swivel Plate	(4) CMP1-5PBB	5"	Grey Polyurethane	With Brake, 4 Pack
CSTPK-5PUTS-1B	Medium	1/2" - 13 x 1-1/2" Threaded Stem	(4) CMT1-5PBB	5"	Blue Polyurethane	With Brake, 4 Pack
CSTPK-5PUTS-2B	Medium	5/8" - 11 x 1-1/2" Threaded Stem	(4) CMT5-5PBB	5"	Blue Polyurethane	With Brake, 4 Pack
CSTPK-5PUTS-3B	Medium	3/4" - 10 x 1" Threaded Stem	N/A	5"	Blue Polyurethane	With Brake, 4 Pack
CSTPK-5PUTS-4	Medium	1/2" - 13 x 1" Threaded Stem	(2) CMT4-5PPB (2) CMT4-5PBB	5"	Blue Polyurethane	2 Brake/2 Non Brake
CSTPK-5PUUP	Medium	3-1/2" x 3-1/2" Universal Plate	(2) CMP4U-5PPB (2) CMP4U-5PBB	5"	Blue Polyurethane	2 Brake/2 Non Brake
CSTPK-5PUUP-4B	Medium	3-1/2" x 3-1/2" Universal Plate	(4) CMP4-5PBB	5"	Blue Polyurethane	With Brake, 4 Pack
CSTPK-5PUUP-B	Medium	4" x 4" Universal Plate	(4) CMPU-5PBB	5"	Blue Polyurethane	With Brake, 4 Pack
CSTPK-5RES	Medium	1-5/8" Expanding Stem	(2) CMS4-5RBB (2) CMS4-5RPB	5"	Grey Polyurethane	2 Brake/2 Non Brake
CSTPK-5RES-3	Medium	1-1/2" Expanding Stem	(2) CMS3-5RBB (2) CMS3-5RPB	5"	Grey Polyurethane	2 Brake/2 Non Brake
CSTPK-5RSP	Medium	2-3/8" X 3-5/8" Swivel Plate	(2) CMP1-5RPB (2) CMP1-5RBB	5"	Grey Polyurethane	2 Brake/2 Non Brake
CSTPK-5RSP-T1	Medium	2-3/8" X 3-5/8" Swivel Plate	(2) CMP1-5RPB-B (2) CMP1-5RTB-B	5"	Grey Polyurethane	2 TopLock/2 Non
CSTPK-5RTS-1	Medium	1/2" - 13 1-1/2" Threaded Stem	(2) CMT1-5RBB (2) CMT1-5RPB	5"	Grey Polyurethane	2 Brake/2 Non Brake
CSTPK-5RUP	Medium	4" x 4" Universal Plate	(2) CMPU-5RBB (2) CMPU-5RPB	5"	Grey Polyurethane	2 Brake/2 Non Brake
CSTPK-6PBB	Medium	4" x 4-1/2" Swivel Plate	(2) CMP6-5PPB (2) CMP6-5PBB	6"	Blue Polyurethane	2 Brake/2 Non Brake

F

# Regal Ride™ Medium Duty Swivel Plate Casters



## MEDIUM DUTY SWIVEL PLATE CASTERS

- FULL 1-1/4" (32mm) TREAD WIDTH
- LOAD CAPACITY 250 lbs (110 kg) PER WHEEL
- CHOICE OF POLYOLEFIN OR POLYURETHANE WHEELS
  - BRAKE AND NON-BRAKE MODELS
- PROVIDED WITH HEAVY 9 GAUGE (4mm) MOUNTING PLATE



COMPONENT

### MOUNTING PLATE SIZE:

2-3/8" x 3-5/8" (60mm x 92mm) WITH HOLE OPENINGS SPACED ON 1-3/4" x 3" (44mm x 76mm) CENTERS TO ACCEPT 1/4" OR 5/16" (6mm or 8mm) DIA. BOLTS  
FOR PLATE HOLE PATTERN CONFIGURATION, REFER TO PG. B20-21.

### MEDIUM DUTY SWIVEL PLATE CASTERS

CASTER CONFIGURATION DATA			BLACK POLYOLEFIN WHEELS LOAD CAPACITY: 250 lbs (110 kg)		BLACK RUBBER WHEELS LOAD CAPACITY: 200 lbs (90 kg) *250 lbs (110 kg)		GRAY POLYURETHANE WHEELS FURNISHED WITH BALL BEARINGS LOAD CAPACITY: 250 lbs (110 kg)		DARK BLUE POLYURETHANE WHEELS FURNISHED WITH BALL BEARINGS LOAD CAPACITY: 250 lbs (110 kg)	
WHEEL DIA.	LOAD HEIGHT	SWIVEL RADIUS	NON-BRAKE MODEL NO.	BRAKE MODEL NO.	NON-BRAKE MODEL NO.	BRAKE MODEL NO.	NON-BRAKE MODEL NO.	BRAKE MODEL NO.	NON-BRAKE MODEL NO.	BRAKE MODEL NO.
3" (76mm)	4" (102mm)	2-7/8" (73mm)	CMP1-3BPN	CMP1-3BBN	CMP1-3KPN	CMP1-3KBN	—	—	CMP1-3PPB	CMP1-3PBB
4" (102mm)	5" (127mm)	3-3/8" (86mm)	CMP1-4BPN	CMP1-4BBN	CMP1-4KPN	CMP1-4KBN	CMP1-4RPB	CMP1-4RBB	CMP1-4PPB	CMP1-4PBB
			CMP1-5BPN	CMP1-5BBN	CMP1-5KPN*	CMP1-5KBN*	CMP1-5RPB	CMP1-5RBB	CMP1-5PPB	CMP1-5PBB
5" (127mm)	6" (152mm)	4" (102mm)	—	—	—	—	CMP1-5RPB-B	—	—	—
			—	—	—	—	—	CMP1-5RBB-TB**	—	—

\*\*Top Brake



## MEDIUM DUTY RIGID PLATE CASTERS

- LOAD CAPACITY OF 250 lbs PER WHEEL
- FULL 1-1/4" (32mm) TREAD WIDTH • NON-BRAKE MODELS ONLY
- CHOICE OF POLYOLEFIN, POLYURETHANE OR RUBBER WHEELS



**MOUNTING PLATE SIZE:\***

2-3/8" x 3-5/8" (60mm x 92mm) WITH HOLE OPENINGS SPACED ON  
1-3/4" x 3" (44mm x 76mm) CENTERS TO ACCEPT 1/4" OR 5/16" (6mm or 8mm) DIA. BOLTS

MEDIUM DUTY RIGID PLATE CASTERS						
CASTER CONFIGURATION DATA			BLACK POLYOLEFIN WHEELS LOAD CAPACITY: 250 lbs (110 kg)	BLACK RUBBER WHEELS LOAD CAPACITY: 200 lbs (90 kg) 250 lbs (110 kg)	GRAY POLYURETHANE WHEELS FURNISHED WITH BALL BEARINGS LOAD CAPACITY: 250 lbs (110 kg)	DARK BLUE POLYURETHANE WHEELS FURNISHED WITH BALL BEARINGS LOAD CAPACITY: 250 lbs (110 kg)
WHEEL DIA.	LOAD HEIGHT	SWIVEL RADIUS	MODEL NO.	MODEL NO.	MODEL NO.	MODEL NO.
3" (76mm)	4" (102mm)	—	CMR1-3BPN	CMR1-3KPN	—	CMR1-3PPB
4" (102mm)	5" (127mm)	—	CMR1-4BPN	CMR1-4KPN	CMR1-4RPB	CMR1-4PPB
5" (127mm)	6" (152mm)	—	CMR1-5BPN	CMR1-5KPN	CMR1-5RPB	CMR1-5PPB



## STANDARD DUTY SWIVEL PLATE CASTERS\*

- 3" x 1-3/8" WIDE (76mm x 35mm) BLACK POLYOLEFIN WHEELS
- BRAKE AND NON-BRAKE MODELS
- LOAD CAPACITY OF 100 lbs (45 kg) PER WHEEL SELECTED

CASTER CONFIGURATION DATA			SWIVEL PLATE 2-3/4" X 3-3/4" (70mm x 95mm) HOLE OPENINGS SPACED ON 1-3/4" X 3" (44mm X 76mm) CENTERS TO ACCEPT 1/4" (6mm) DIA. BOLTS	
WHEEL DIA.	LOAD HEIGHT	SWIVEL RADIUS	NON-BRAKE MODEL NO.	BRAKE MODEL NO.
3" (76mm)	3-3/4" (95mm)	2-3/4" (70mm)	CLP2-3BPN	CLP2-3BBN



\*FOR PLATE HOLE PATTERN CONFIGURATION, REFER TO PG. F164-F166.

## UNIVERSAL MOUNTING PLATE CASTERS

- REDUCES REQUIRED CASTER INVENTORY WHILE PROVIDING MOUNTING FLEXIBILITY
- BOLT HOLE PATTERNS ACCOMMODATE EASY INTERCHANGEABILITY BETWEEN EQUIPMENT LEGS AND CASTERS
- 9-GAUGE ZINC PLATED STEEL MOUNTING PLATE
- 5/16" DIAMETER SLOTTED MOUNTING HOLES FOR EASY ADJUSTABILITY
  - LOCKING AND NON-LOCKING MODELS
- LOAD CAPACITY 250 lbs.(110 kg) PER WHEEL
  - FULL 1-1/4" TREAD WIDTH



COMPONENT

### 4" x 4" UNIVERSAL MOUNTING PLATE\*

CASTER CONFIGURATION DATA			BLACK POLYOLEFIN WHEELS LOAD CAPACITY: 250 lbs (110 kg)		BLACK RUBBER WHEELS LOAD CAPACITY: 250 lbs (110 kg)		GRAY POLYURETHANE WHEELS FURNISHED WITH BALL BEARINGS LOAD CAPACITY: 250 lbs (110 kg)		DARK BLUE POLYURETHANE WHEELS FURNISHED WITH BALL BEARINGS LOAD CAPACITY: 250 lbs (110 kg)	
WHEEL DIA.	LOAD HEIGHT	SWIVEL RADIUS	NON-BRAKE MODEL NO.	BRAKE MODEL NO.	NON-BRAKE MODEL NO.	BRAKE MODEL NO.	NON-BRAKE MODEL NO.	BRAKE MODEL NO.	NON-BRAKE MODEL NO.	BRAKE MODEL NO.
5" (127mm)	6" (152mm)	4" (101mm)	CMPU-5BPN	CMPU-5BBN	CMPU-5KPN	CMPU-5KBN	CMPU-5RPB	CMPU-5RBB	CMPU-5PPB	CMPU-5PBB

3-1/2" x 3-1/2" UNIVERSAL MOUNTING PLATE*										
WHEEL DIA.	LOAD HEIGHT	SWIVEL RADIUS	NON-BRAKE MODEL NO.	BRAKE MODEL NO.	NON-BRAKE MODEL NO.	BRAKE MODEL NO.	NON-BRAKE MODEL NO.	BRAKE MODEL NO.	NON-BRAKE MODEL NO.	BRAKE MODEL NO.
5" (127mm)	6" (152mm)	4" (101mm)	CMP4-5BPB	CMP4-5BBB	—	—	—	—	CMP4U-5PPB	CMP4U-5PBB

## MEDIUM DUTY 3-1/2" PLATE & EXPANDING STEM CASTERS

- AVAILABLE FOR MOUNTING PLATE AND EXPANDING FASTENER APPLICATIONS
- LOCKING AND NON-LOCKING MODELS • LOAD CAPACITY 200 lbs (90 kg) PER WHEEL
  - FULL 1-1/4" TREAD WIDTH



COMPONENT

### MEDIUM DUTY 3-1/2" PLATE & EXPANDING STEM CASTERS

CASTER CONFIGURATION DATA				BLACK RUBBER WHEELS LOAD CAPACITY: 200 lbs (90 kg)	
APPLICATION	WHEEL DIA.	LOAD HEIGHT	SWIVEL RADIUS	NON-BRAKE MODEL NO.	BRAKE MODEL NO.
Plate Caster*	3-1/2" (89mm)	4-7/16" (113mm)	3-1/4" (83mm)	CMP1-35KPN	CMP1-35KBN
1" (25mm) Stem Caster	3-1/2" (89mm)	4-7/16" (113mm)	3-1/4" (83mm)	CMS1-35KPN	CMS1-35KBN
1-1/4" (31mm) Stem Caster	3-1/2" (89mm)	4-7/16" (113mm)	3-1/4" (83mm)	CMS2-35KPN	CMS2-35KBN
1-1/2" (38mm) Stem Caster	3-1/2" (89mm)	4-7/16" (113mm)	3-1/4" (83mm)	CMS3-35KPN	CMS3-35KBN
1-5/8" (40mm) Stem Caster	3-1/2" (89mm)	4-7/16" (113mm)	3-1/4" (83mm)	CMS4-35KPN	CMS4-35KBN
2" (51mm) Stem Caster	3-1/2" (89mm)	4-7/16" (113mm)	3-1/4" (83mm)	CMS5-35KPN	CMS5-35KBN



\*FOR PLATE HOLE PATTERN CONFIGURATION, REFER TO PG. F164-F166.

# Regal Ride™ Medium Duty Threaded Stem Casters



## MEDIUM DUTY THREADED STEM CASTERS



- FULL 1-1/4" (32mm) TREAD WIDTH • LOAD CAPACITY 250 lbs (110 kg) PER WHEEL
- CHOICE OF POLYOLEFIN, POLYURETHANE OR RUBBER WHEELS • BRAKE AND NON-BRAKE MODELS
- NON-MARRING GREASE RESISTANT POLYURETHANE TIRES  
FURNISHED WITH QUIET, EASY ROLLING WHEEL BEARINGS

### STEM SIZE 1/2-13 X 1-1/2" LONG STEM

CASTER CONFIGURATION DATA			BLACK POLYOLEFIN WHEELS LOAD CAPACITY: 250 lbs (110 kg)	BLACK RUBBER WHEELS LOAD CAPACITY: 200 lbs (90 kg) *250 lbs (110 kg)	GRAY POLYURETHANE WHEELS FURNISHED WITH BALL BEARINGS LOAD CAPACITY: 250 lbs (110 kg)	DARK BLUE POLYURETHANE WHEELS FURNISHED WITH BALL BEARINGS LOAD CAPACITY: 250 lbs (110 kg)				
WHEEL DIA.	LOAD HEIGHT	SWIVEL RADIUS	NON-BRAKE MODEL NO.	BRAKE MODEL NO.	NON-BRAKE MODEL NO.	BRAKE MODEL NO.	NON-BRAKE MODEL NO.	BRAKE MODEL NO.	NON-BRAKE MODEL NO.	BRAKE MODEL NO.
3" (76mm)	4" (102mm)	2-7/8" (73mm)	CMT1-3BPN	CMT1-3BBN	CMT1-3KPN	CMT1-3KBN	—	—	CMT1-3PPB	CMT1-3PBB
4" (102mm)	5" (127mm)	3-3/8" (86mm)	CMT1-4BPN	CMT1-4BBN	CMT1-4KPN	CMT1-4KBN	CMT1-4RPB	CMT1-4RBB	CMT1-4PPB	CMT1-4PBB
5" (127mm)	6" (152mm)	4" (102mm)	CMT1-5BPN	CMT1-5BBN	*CMT1-5KPN	*CMT1-5KBN	CMT1-5RPB	CMT1-5RBB	CMT1-5PPB	CMT1-5PBB

### STEM SIZE 5/8-11 X 1-1/2" LONG STEM

3" (76mm)	4" (102mm)	2-7/8" (73mm)	CMT2-3BPN	CMT2-3BBN	—	—	—	—	CMT2-3PPB	CMT2-3PBB
5" (127mm)	6" (152mm)	4" (102mm)	CMT2-5BPN	CMT2-5BBN	—	—	CMT2-5RPB	CMT2-5RBB	CMT2-5PPB	CMT2-5PBB

### STEM SIZE 3/4-10 x 1" LONG STEM

5" (127mm)	6" (152mm)	4" (102mm)	CMT3-5BPN	CMT3-5BBN	—	—	—	—	—	—
---------------	---------------	---------------	-----------	-----------	---	---	---	---	---	---

### STEM SIZE 1/2-13 X 1" LONG STEM

3" (76mm)	4" (102mm)	2-7/8" (73mm)	—	CMT4-3BBN	—	—	—	—	—	—
5" (127mm)	6" (152mm)	4" (102mm)	—	—	—	—	—	—	CMT4-5PPB	CMT4-5PBB

### STEM SIZE 5/8-11 X 1" LONG STEM

5" (127mm)	6" (152mm)	4" (102mm)	CMT5-5BPN	CMT5-5BBN	—	—	CMT5-5RPB	CMT5-5RBB	CMT5-5PPB	CMT5-5PBB
---------------	---------------	---------------	-----------	-----------	---	---	-----------	-----------	-----------	-----------

### SPRING RING STEM

3" (76mm)	4" (102mm)	2-7/8" (73mm)	C99-1030	C99-1031	—	—	—	—	—	—
5" (127mm)	6" (152mm)	4" (102mm)	C99-1050	C99-1051	—	—	—	—	—	—

# Regal Ride™ Medium Duty Swivel Expanding Stem Casters



## MEDIUM DUTY SWIVEL EXPANDING STEM CASTERS

- FULL 1-1/4" (32mm) TREAD WIDTH • LOAD CAPACITY 250 lbs (110 kg) PER WHEEL
- CHOICE OF POLYOLEFIN, POLYURETHANE OR RUBBER WHEELS • BRAKE AND NON-BRAKE MODELS
- ADAPTS TO EITHER ROUND OR SQUARE TUBING



APPLICATION IS BASED ON O.D. OF EITHER ROUND OR SQUARE COMMERCIAL TUBING.  
CASTERS EXPAND TO FIT 16, 18 OR 20 GAUGE (1.5mm, 1.2mm or 1mm) WALL THICKNESS.

### MEDIUM DUTY EXPANDING STEM CASTERS

CASTER CONFIGURATION DATA				BLACK POLYOLEFIN WHEELS LOAD CAPACITY: 250 lbs. (110 kg.)		BLACK RUBBER WHEELS LOAD CAPACITY: 200 lbs. (90 kg.) **250 lbs. (110 kg.)	
APPLICATION	WHEEL DIA.	LOAD HEIGHT	SWIVEL RADIUS	NON-BRAKE MODEL NO.	BRAKE MODEL NO.	NON-BRAKE MODEL NO.	BRAKE MODEL NO.
1" (25mm) Dia. Tubing Round Or Square	3" (76mm)	4" (102mm)	2-7/8" (73mm)	CMS1-3BPN	CMS1-3BBN	—	—
	4" (102mm)	5" (127mm)	3-3/8" (86mm)	CMS1-4BPN	CMS1-4BBN	—	CMS1-4KBN
	5" (127mm)	6" (152mm)	4" (102mm)	CMS1-5BPN	CMS1-5BBN	CMS1-5KPN**	CMS1-5KBN**
1-1/4" (32mm) Dia. Tubing Round Or Square	3" (76mm)	4" (102mm)	2-7/8" (73mm)	CMS2-3BPN	CMS2-3BBN	—	—
	4" (102mm)	5" (127mm)	3-3/8" (86mm)	CMS2-4BPN	CMS2-4BBN	CMS2-4KPN	CMS2-4KBN
	5" (127mm)	6" (152mm)	4" (102mm)	CMS2-5BPN	CMS2-5BBN	CMS2-5KPN**	CMS2-5KBN**
1-1/2" (38mm) Dia. Tubing Round Or Square Or 1-1/4" Pipe	3" (76mm)	4" (102mm)	2-7/8" (73mm)	CMS3-3BPN	CMS3-3BBN	—	—
	4" (101mm)	5" (127mm)	3-3/8" (86mm)	CMS3-4BPN	CMS3-4BBN	CMS3-4KPN	CMS3-4KBN
	5" (127mm)	6" (152mm)	4" (102mm)	CMS3-5BPN	CMS3-5BBN	—	—
1-5/8" (40mm) Dia. Tubing Round Or Square	3" (76mm)	4" (102mm)	2-7/8" (73mm)	CMS4-3BPN	CMS4-3BBN	CMS4-3KPN	CMS4-3KBN
	4" (102mm)	5" (127mm)	3-3/8" (86mm)	CMS4-4BPN	CMS4-4BBN	CMS4-4KPN	CMS4-4KBN
	5" (127mm)	6" (152mm)	4" (102mm)	CMS4-5BPN	CMS4-5BBN CMS4-5BBN-TB***	CMS4-5KPN**	CMS4-5KBN**
2" (51mm) Dia. Tubing Round Or Square	3" (76mm)	4" (102mm)	2-7/8" (73mm)	CMS5-3BPN	CMS5-3BBN	—	—
	4" (102mm)	5" (127mm)	3-3/8" (86mm)	CMS5-4BPN	CMS5-4BBN	—	—
	5" (127mm)	6" (152mm)	4" (102mm)	CMS5-5BPN	CMS5-5BBN	—	—

\*Stainless steel yoke and brake \*\*\* Top Brake

F



# Regal Ride™ Medium Duty Swivel Expanding Stem Casters



## MEDIUM DUTY SWIVEL EXPANDING STEM CASTERS

- FULL 1-1/4" (32mm) TREAD WIDTH • LOAD CAPACITY 250 lbs (110 kg) PER WHEEL
- CHOICE OF POLYOLEFIN, POLYURETHANE OR RUBBER WHEELS • BRAKE AND NON-BRAKE MODELS
- ADAPTS TO EITHER ROUND OR SQUARE TUBING



APPLICATION IS BASED ON O.D. OF EITHER ROUND OR SQUARE COMMERCIAL TUBING.  
CASTERS EXPAND TO FIT 16, 18 OR 20 GAUGE (1.5mm, 1.2mm or 1mm) WALL THICKNESS.

MEDIUM DUTY EXPANDING STEM CASTERS							
CASTER CONFIGURATION DATA				GRAY POLYURETHANE WHEELS FURNISHED WITH BALL BEARINGS LOAD CAPACITY: 250 lbs. (110 kg.)		DARK BLUE POLYURETHANE WHEELS FURNISHED WITH BALL BEARINGS LOAD CAPACITY: 250 lbs. (110 kg.)	
APPLICATION	WHEEL DIA.	LOAD HEIGHT	SWIVEL RADIUS	NON-BRAKE MODEL NO.	BRAKE MODEL NO.	NON-BRAKE MODEL NO.	BRAKE MODEL NO.
1" (25mm) Dia. Tubing Round Or Square	3" (76mm)	4" (102mm)	2-7/8" (73mm)	—	—	CMS1-3PPB	CMS1-3PBB
	4" (102mm)	5" (127mm)	3-3/8" (86mm)	CMS1-4RPB	CMS1-4RBB	CMS1-4PPB	CMS1-4PBB
	5" (127mm)	6" (152mm)	4" (102mm)	CMS1-5RPB	CMS1-5RBB	CMS1-5PPB	CMS1-5PBB CMS1-5PPB-TB**
1-1/4" (32mm) Dia. Tubing Round Or Square	3" (76mm)	4" (102mm)	2-7/8" (73mm)	—	—	CMS2-3PPB	CMS2-3PBB
	4" (102mm)	5" (127mm)	3-3/8" (86mm)	CMS2-4RPB	CMS2-4RBB	CMS2-4PPB	CMS2-4PBB
	5" (127mm)	6" (152mm)	4" (102mm)	CMS2-5RPB	CMS2-5RBB CMS2-5RBB-TB**	CMS2-5PPB	CMS2-5PBB
1-1/2" (38mm) Dia. Tubing Round Or Square Or 1-1/4" Pipe	3" (76mm)	4" (102mm)	2-7/8" (73mm)	—	—	CMS3-3PPB	CMS3-3PBB
	4" (101mm)	5" (127mm)	3-3/8" (86mm)	CMS3-4RPB	CMS3-4RBB	CMS3-4PPB	CMS3-4PBB
	5" (127mm)	6" (152mm)	4" (102mm)	CMS3-5RPB	CMS3-5RBB CMS3-5RBB-TB**	CMS3-5PPB	CMS3-5PBB
1-5/8" (40mm) Dia. Tubing Round Or Square	3" (76mm)	4" (102mm)	2-7/8" (73mm)	—	—	CMS4-3PPB	CMS4-3PBB
	4" (102mm)	5" (127mm)	3-3/8" (86mm)	CMS4-4RPB	CMS4-4RBB	CMS4-4PPB	CMS4-4PBB
	5" (127mm)	6" (152mm)	4" (102mm)	CMS4-5RPB	CMS4-5RBB CMS4-5RBB-TB**	CMS4-5PPB CMS4-5PPB-SS*	CMS4-5PBB CMS4-5PBB-SS* CMS4-5PBB-TB**
2" (51mm) Dia. Tubing Round Or Square	3" (76mm)	4" (102mm)	2-7/8" (73mm)	—	—	CMS5-3PPB	CMS5-3PBB
	4" (102mm)	5" (127mm)	3-3/8" (86mm)	CMS5-4RPB	CMS5-4RBB	CMS5-4PPB	CMS5-4PBB
	5" (127mm)	6" (152mm)	4" (102mm)	CMS5-5RPB	CMS5-5RBB CMS5-5RBB-TB**	CMS5-5PPB	CMS5-5PBB

\*Stainless steel yoke and brake \*\* Top Brake

# Standard Duty Plate Casters



## C11 SERIES STANDARD DUTY SWIVEL PLATE CASTERS

- LOAD CAPACITIES OF 125lbs, 150lbs AND 160 lbs (55 kg, 70 kg AND 75 kg) PER WHEEL SELECTED
- RUBBER OR POLYURETHANE TIRES WITH 1" (25mm) TREAD WIDTH
- BRAKE AND NON-BRAKE MODELS



COMPONENT

### MOUNTING PLATE SIZE:\*

1-3/4" x 3" (45mm x 76mm) WITH HOLE OPENINGS SPACED ON  
1" x 2-1/4" (25mm x 57mm) CENTERS TO ACCEPT 1/4" (6mm) DIA. BOLTS

### C11 SERIES STANDARD DUTY SWIVEL PLATE CASTERS

CASTER CONFIGURATION DATA			BLACK SOLID RUBBER TIRES LOAD CAPACITY: 125 lbs (55 kg)		GRAY RUBBER TIRES with POLY-LOC DISCS LOAD CAPACITY: 150 lbs (70 kg)		DARK BLUE POLYURETHANE TIRES WITH POLY-LOC DISCS LOAD CAPACITY: 160 lbs (75 kg)	
WHEEL DIA.	LOAD HEIGHT	SWIVEL RADIUS	NON-BRAKE MODEL NO.	BRAKE MODEL NO.	NON-BRAKE MODEL NO.	BRAKE MODEL NO.	NON-BRAKE MODEL NO.	BRAKE MODEL NO.
3" (76mm)	3-11/16" (95mm)	2-3/4" (70mm)	C11-1030	C11-1031	C11-2030	C11-2031	—	—
4" (102mm)	4-11/16" (120mm)	3-5/16" (85mm)	C11-1040	C11-1041	C11-2040	C11-2041	—	C11-3041
5" (127mm)	5-11/16" (145mm)	4" (102mm)	C11-1050	C11-1051	C11-2050	C11-2051	—	—

### C11 SERIES LIGHT DUTY SWIVEL PLATE CASTER

NON-BRAKE MODEL NO.	WHEEL DIA.	LOAD HEIGHT	SWIVEL RADIUS	LOAD CAPACITY	TREAD WIDTH	WHEEL MATERIAL	MOUNTING PLATE SIZE:	MOUNTING HOLE SIZE	MOUNTING HOLE SPACING
C11-1020	2" (51mm)	2-1/2" (64mm)	1-7/8" (47mm)	80 lbs (35 kg)	13/16" (20mm)	GRAY RUBBER	1-3/16" x 2" (30mm x 51mm)	3/16" (5mm) Dia.	3/16" x 1-9/16" (5mm x 50mm) Dia.

\*FOR PLATE HOLE PATTERN CONFIGURATION, REFER TO PG. F164-F166.

F



## C13 SERIES STANDARD DUTY SWIVEL STEM CASTERS

- FOR 1", 1-1/4", 1-1/2", 1-5/8" & 2" (25mm, 32mm, 38mm, 40mm and 51mm) DIA.  
ROUND or SQUARE TUBING and 1-1/4" PIPE
- LOAD CAPACITIES OF 125, 150 and 160 lbs (55, 70 and 75 kg) PER WHEEL SELECTED
  - RUBBER or POLYURETHANE TIRES with 1" (25mm) TREAD WIDTH
  - BRAKE and NON-BRAKE MODELS



COMPONENT

### C13 SERIES STANDARD DUTY SWIVEL STEM CASTERS

CASTER CONFIGURATION DATA				BLACK SOLID RUBBER TIRES LOAD CAPACITY: 125 lbs (55 kg)		GRAY RUBBER TIRES with POLY-LOC DISCS LOAD CAPACITY: 150 lbs (70 kg)		DARK BLUE POLYURETHANE TIRES WITH POLY-LOC DISCS LOAD CAPACITY: 160 lbs (75 kg)	
APPLICATION	WHEEL DIA.	LOAD HEIGHT	SWIVEL RADIUS	NON-BRAKE MODEL NO.	BRAKE MODEL NO.	NON-BRAKE MODEL NO.	BRAKE MODEL NO.	NON-BRAKE MODEL NO.	BRAKE MODEL NO.
1" (25mm) Dia. Tubing Round Or Square	4" (102mm)	4-11/16" (120mm)	3-5/16" (85mm)	C13-1140	C13-1141	C13-2140	C13-2141	C13-3140	C13-3141
	5" (127mm)	5-11/16" (145mm)	4" (102mm)	C13-1150	C13-1151	C13-2150	C13-2151	C13-3150	C13-3151
1-1/4" (30mm) Dia. Tubing Round Or Square	4" (102mm)	4-11/16" (120mm)	3-5/16" (85mm)	C13-1240	C13-1241	C13-2240	C13-2241	C13-3240	C13-3241
	5" (127mm)	5-11/16" (145mm)	4" (102mm)	C13-1250	C13-1251	C13-2250	C13-2251	C13-3250	C13-3251
1-1/2" (38mm) Dia. Tubing Round Or Square Or 1-1/4" Pipe	3" (76mm)	3-11/16" (95mm)	2-3/4" (70mm)	C13-1330	C13-1331	—	—	—	—
	4" (102mm)	4-11/16" (120mm)	3-5/16" (85mm)	C13-1340	—	C13-2340	C13-2341	C13-3340	C13-3341
	5" (127mm)	5-11/16" (145mm)	4" (102mm)	C13-1350	C13-1351	C13-2350	C13-2351	C13-3350	—
1-5/8" (40mm) Dia. Tubing Round Or Square	3" (76mm)	3-11/16" (95mm)	2-3/4" (70mm)	C13-5430	C13-5431	—	—	—	—
	4" (102mm)	4-11/16" (120mm)	3-5/16" (85mm)	C13-1440	—	C13-2440	C13-2441	C13-3440	C13-3441
	5" (127mm)	5-11/16" (145mm)	4" (102mm)	C13-1450	C13-1451	C13-2450	C13-2451	C13-3450	C13-3451
2" (51mm) Dia. Tubing Round Or Square	4" (102mm)	4-11/16" (120mm)	3-5/16" (85mm)	C13-1540	C13-1541	C13-2540	C13-2541	C13-3540	C13-3541
	5" (127mm)	5-11/16" (145mm)	4" (102mm)	C13-1550	C13-1551	C13-2550	C13-2551	C13-3550	C13-3551



## C21 SERIES MEDIUM DUTY SWIVEL AND RIGID PLATE CASTERS

- LOAD CAPACITIES OF 155, 200, 250 AND 300 lbs (70, 90, 115 and 135 kg) PER WHEEL SELECTED
- RUBBER OR POLYURETHANE TIRES WITH 1-1/4" (32mm) TREAD WIDTH
- BRAKE AND NON-BRAKE MODELS

### MOUNTING PLATE SIZE:\*

2-3/8" x 3-5/8" (60mm x 92mm) WITH HOLE OPENINGS SPACED ON 1-3/4" x 3" (45mm x 75mm) CENTERS TO ACCEPT 1/4" or 5/16" (6mm or 8mm) DIA. BOLTS



COMPONENT

### C21 SERIES MEDIUM DUTY SWIVEL PLATE CASTERS

CASTER CONFIGURATION DATA			BLACK SOLID RUBBER TIRES LOAD CAPACITY: 155 lbs (70 kg) *200 lbs (90 kg)	GRAY RUBBER TIRES with POLY-LOC DISCS LOAD CAPACITY: 155 lbs (70 kg) *200 lbs (90 kg)	DARK BLUE POLYURETHANE TIRES WITH POLY-LOC DISCS LOAD CAPACITY: 250 lbs (110 kg) *300 lbs (135 kg)			
WHEEL DIA.	LOAD HEIGHT	SWIVEL RADIUS	NON-BRAKE MODEL NO.	BRAKE MODEL NO.	NON-BRAKE MODEL NO.	BRAKE MODEL NO.	NON-BRAKE MODEL NO.	BRAKE MODEL NO.
3-1/2" (89mm)	4-1/2" (115mm)	3-5/16" (85mm)	*C21-1035	*C21-1036	C21-2035	C21-2036	C21-3035	C21-3036
4" (102mm)	5" (127mm)	3-3/8" (86mm)	-	-	-	-	C21-3040	C21-3041
5" (127mm)	6-1/8" (155mm)	4" (102mm)	*C21-1050	*C21-1051	*C21-2050	*C21-2051	*C21-3050	*C21-3051
C21 SERIES MEDIUM DUTY RIGID PLATE CASTERS								
3-1/2" (89mm)	4-1/2" (115mm)	3-5/16" (85mm)	*C21-1035-R	-	C21-2035-R	-	-	-
5" (127mm)	6-1/8" (155mm)	4" (102mm)	*C21-1050-R	-	*C21-2050-R	-	-	-

\*FOR PLATE HOLE PATTERN CONFIGURATION, REFER TO PG. F164-F166.



## C23 SERIES MEDIUM DUTY SWIVEL STEM CASTERS

- FOR 1", 1-1/4", 1-1/2", 1-5/8" & 2" (25, 32, 38, 40 & 51mm) DIA. ROUND OR SQUARE TUBING AND 1-1/4" PIPE
  - LOAD CAPACITIES OF 155, 200, 250 AND 300 lbs (70, 90, 115 AND 135 kg) PER WHEEL SELECTED
- RUBBER OR POLYURETHANE TIRES WITH 1-1/4" (32mm) TREAD WIDTH • BRAKE and NON-BRAKE MODELS

C23 SERIES MEDIUM DUTY SWIVEL STEM CASTERS									
CASTER CONFIGURATION DATA				BLACK SOLID RUBBER TIRES LOAD CAPACITY: 155 lbs (70 kg) *200 lbs (90 kg)		GRAY RUBBER TIRES with POLY-LOC DISCS LOAD CAPACITY: 150 lbs (68 kg) *200 lbs (90 kg)		DARK BLUE POLYURETHANE TIRES WITH POLY-LOC DISCS LOAD CAPACITY: 250 lbs (110 kg) *300 lbs (135 kg)	
APPLICATION	WHEEL DIA.	LOAD HEIGHT	SWIVEL RADIUS	NON-BRAKE MODEL NO.	BRAKE MODEL NO.	NON-BRAKE MODEL NO.	BRAKE MODEL NO.	NON-BRAKE MODEL NO.	BRAKE MODEL NO.
1" (25mm) Dia. Tubing Round Or Square	3-1/2" (89mm)	4-1/2" (114mm)	3-1/4" (83mm)	*C23-1135	*C23-1136	C23-2135	C23-2136	C23-3135	C23-3136
	5" (127mm)	6-1/8" (160mm)	4" (102mm)	*C23-1150	*C23-1151	*C23-2150	*C23-2151	*C23-3150	*C23-3151
1-1/4" (32mm) Dia. Tubing Round Or Square	3-1/2" (89mm)	4-1/2" (114mm)	3-1/4" (83mm)	*C23-1235	*C23-1236	C23-2235	C23-2236	C23-3235	C23-3236
	5" (127mm)	6-1/8" (160mm)	4" (102mm)	*C23-1250	*C23-1251	*C23-2250	*C23-2251	*C23-3250	*C23-3251
1-1/2" (38mm) Dia. Tubing Round Or Square Or 1-1/4" Pipe	3-1/2" (89mm)	4-1/2" (114mm)	3-1/4" (83mm)	*C23-1335	*C23-1336	C23-2335	C23-2336	C23-3335	C23-3336
	5" (127mm)	6-1/8" (160mm)	4" (102mm)	*C23-1350	*C23-1351	*C23-2350	*C23-2351	*C23-3350	*C23-3351
1-5/8" (40mm) Dia. Tubing Round Or Square	3-1/2" (89mm)	4-1/2" (114mm)	3-1/4" (83mm)	*C23-1435	*C23-1436	C23-2435	C23-2436	C23-3435	C23-3436
	5" (127mm)	6-1/8" (160mm)	4" (102mm)	*C23-1450	*C23-1451	*C23-2450	*C23-2451	*C23-3450	*C23-3451
2" (51mm) Dia. Tubing Round Or Square	3-1/2" (89mm)	4-1/2" (114mm)	3-1/4" (83mm)	*C23-1535	*C23-1536	C23-2535	C23-2536	C23-3535	C23-3536
	5" (127mm)	6-1/8" (160mm)	4" (102mm)	C23-1550	C23-1551	C23-2550	C23-2551	*C23-3550	*C23-3551
	6" (152mm)	7-1/8" (180mm)	4-1/2" (114mm)						

# Medium Duty Rigid Stem Casters



## C23 SERIES MEDIUM DUTY RIGID STEM CASTERS

- FOR 1", 1-1/4", 1-1/2", 1-5/8" & 2" (25, 32, 38, 40 & 51mm) DIA. ROUND OR SQUARE TUBING AND 1-1/4" PIPE
  - LOAD CAPACITIES OF 155, 200, 250 AND 300 lbs (70, 90, 115 AND 135 kg) PER WHEEL SELECTED
- RUBBER OR POLYURETHANE TIRES WITH 1-1/4" (32mm) TREAD WIDTH • BRAKE and NON-BRAKE MODELS

C23 SERIES MEDIUM DUTY RIGID STEM CASTERS					
CASTER CONFIGURATION DATA				BLACK SOLID RUBBER TIRES LOAD CAPACITY: 155 lbs (70 kg) *200 lbs (90 kg)	
APPLICATION	WHEEL DIA.	LOAD HEIGHT	SWIVEL RADIUS	NON-BRAKE MODEL NO.	BRAKE MODEL NO.
1" (25mm) Dia. Tubing Round Or Square	5" (127mm)	6-1/8" (160mm)	4" (102mm)	*C23-1150-R	-
1-1/4" (32mm) Dia. Tubing Round Or Square	5" (127mm)	6-1/8" (160mm)	4" (102mm)	-	-
1-1/2" (38mm) Dia. Tubing Round Or Square Or 1-1/4" Pipe	5" (127mm)	6-1/8" (160mm)	4" (102mm)	*C23-1350-R	-
1-5/8" (40mm) Dia. Tubing Round Or Square	5" (127mm)	6-1/8" (160mm)	4" (102mm)	*C23-1450-R	-

F





## C21-SS SERIES MEDIUM DUTY STAINLESS STEEL SWIVEL PLATE CASTERS

- LOAD CAPACITY OF 200 lbs (90 kg) PER CASTER • POLY-LOCWHEELS WITH 1-1/4" (32mm) TREAD WIDTH
- COMPLETE WITH ZERK GREASE FITTINGS AND SEALS • BRAKE AND NON-BRAKE MODELS

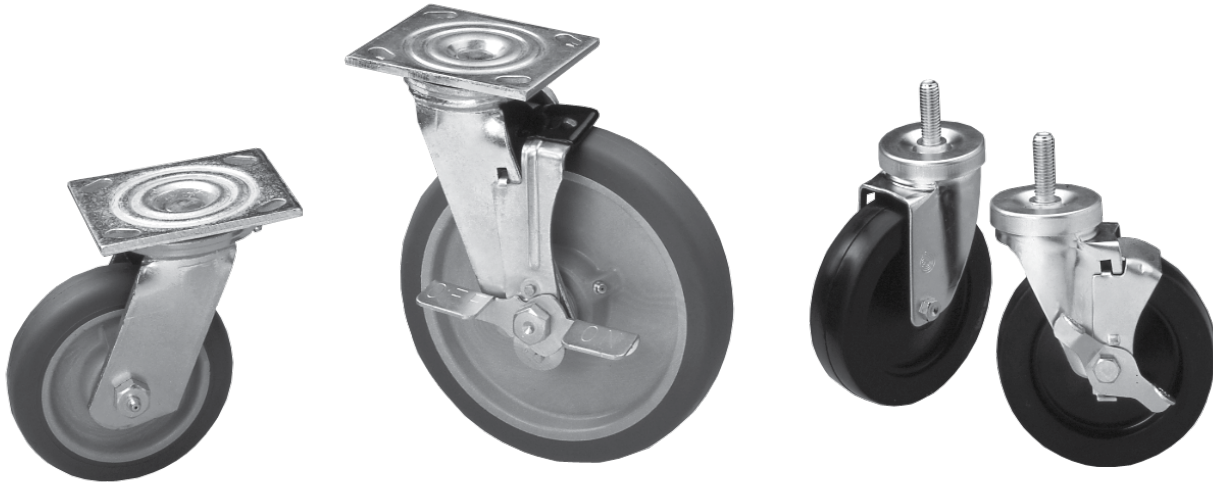
**MOUNTING PLATE SIZE:**  
 2-3/8" x 3-5/8" (60mm x 92mm) WITH HOLE OPENINGS SPACED ON  
 1-3/4" x 3" (45mm x 76mm) CENTERS TO ACCEPT 1/4" or 5/16" (6mm or 8mm) DIA. BOLTS

STAINLESS STEEL MEDIUM DUTY SWIVEL PLATE CASTERS				
CASTER CONFIGURATION DATA			GRAY POLYURETHANE POLY-LOC WHEELS LOAD CAPACITY: 200 lbs (90 kg)	
WHEEL DIA.	LOAD HEIGHT	SWIVEL RADIUS	NON-BRAKE MODEL NO.	BRAKE MODEL NO.
5" (127mm)	6-1/8" (155mm)	4-5/16" (110mm)	C21-2050-SS	C21-2051-SS

## C23-SS SERIES MEDIUM DUTY STAINLESS STEEL SWIVEL STEM CASTERS

- FOR 1", 1-1/4", 1-1/2", 1-5/8" & 2" (25mm, 32mm, 38mm, 40mm & 51mm) DIA. ROUND OR SQUARE TUBING AND 1-1/4" PIPE
- LOAD CAPACITY OF 200 lbs (90 kg) PER CASTER • POLY-LOC WHEELS WITH 1-1/4" (32mm) TREAD WIDTH
- COMPLETE WITH ZERK GREASE FITTINGS AND SEALS • BRAKE AND NON-BRAKE MODELS

STAINLESS STEEL MEDIUM DUTY SWIVEL STEM CASTERS							
CASTER CONFIGURATION DATA				GRAY POLYURETHANE POLY-LOC WHEELS LOAD CAPACITY: 200 lbs (90 kg)		DARK BLUE POLYURETHANE POLY-LOC WHEELS LOAD CAPACITY: 200 lbs (90 kg)	
APPLICATION	WHEEL DIA.	LOAD HEIGHT	SWIVEL RADIUS	NON-BRAKE MODEL NO.	BRAKE MODEL NO.	NON-BRAKE MODEL NO.	BRAKE MODEL NO.
1" (25mm Dia. Tubing Round Or Square)	5" (127mm)	6-1/8" (160mm)	4" (102mm)	C23-2150-SS	C23-2151-SS	-	-
1-1/4" (32mm) Dia. Tubing Round Or Square	5" (127mm)	6-1/8" (160mm)	4" (102mm)	C23-2250-SS	C23-2251-SS	-	-
1-1/2" (38mm) Dia. Tubing Round Or SquareE OR 1-1/4" Pipe	5" (127mm)	6-1/8" (160mm)	4" (102mm)	C23-2350-SS	C23-2351-SS	-	-
1-5/8" (40mm) Dia. Tubing Round Or Square	5" (127mm)	6-1/8" (160mm)	4" (102mm)	C23-2450-SS	C23-2451-SS	-	-
2" (51mm) Dia. Tubing Round Or Square	5" (127mm)	6-1/8" (160mm)	4" (102mm)	C23-2550-SS	C23-2551-SS	-	-
1" (25mm Dia. Tubing Round Or Square)	5" (127mm)	6-1/8" (160mm)	4" (102mm)	-	-	C23-3150-SS	C23-3151-SS



## C31 SERIES HEAVY DUTY SWIVEL PLATE CASTERS

- LOAD CAPACITIES  
500 lbs (225 kg) PER CASTER
- GRAY POLYURETHANE POLY-LOC WHEELS  
WITH 1-1/2" (38mm) TREAD WIDTH
- SUPPLIED WITH ZERK GREASE FITTINGS AND SEALS
- BRAKE AND NON-BRAKE MODELS

### MOUNTING PLATE SIZE:

4" x 4-1/2" (102mm x 114mm)  
WITH SLOTTED OPENINGS SPACED ON  
2-3/4" x 3-1/4" (70mm x 64mm) CENTERS  
TO ACCEPT 1/4" (6mm) DIA. BOLTS

### C31 SERIES HEAVY DUTY SWIVEL PLATE CASTERS

#### CASTER CONFIGURATION DATA

GRAY POLYURETHANE  
POLY-LOC WHEELS  
LOAD CAPACITY:  
500 lbs (225 kg)

WHEEL DIA.	LOAD HEIGHT	SWIVEL RADIUS	NON-BRAKE MODEL NO.	BRAKE MODEL NO.
5" (127mm)	6-1/2" (165mm)	4-5/16" (110mm)	C31-2050	C31-2051
6" (152mm)	7-1/2" (191mm)	5-1/16" (130mm)	C31-2060	C31-2061
8" (204mm)	9-1/2" (241mm)	6-1/2" (165mm)	C31-2080	C31-2081

NOTE: RIGID PLATE CASTERS AVAILABLE AS NON-STOCK ITEMS FOR ALL NON-BRAKE MODELS.



## C25 SERIES MEDIUM DUTY THREADED SWIVEL STEM CASTERS

- LOAD CAPACITIES  
200 lbs (90 kg) PER CASTER
- SOLID RUBBER WHEELS  
WITH 1-1/4" (32mm) TREAD WIDTH
- BRAKE AND NON-BRAKE MODELS

### 1/2-13 X 1-1/2" LONG STEM

CASTER CONFIGURATION DATA			BLACK SOLID RUBBER TIRES LOAD CAPACITY: 200 lbs (90 kg)	
3" (76mm)	3-11/16" (95mm)	2-3/4" (70mm)	C25-1000	C25-1001

NOTE: RIGID NON-BRAKE MODEL AVAILABLE AS A NON-STOCK ITEM.

F

- 1-5/8" (41mm) AND 2" (51mm) O.D. STAINLESS STEEL LEGS WITH WELDED MOUNTING PLATES OR PROTRUDING STUDS
  - MEDIUM DUTY CASTERS WITH 3", 4" AND 5" (76, 102 AND 127mm) DIA. POLYOLEFIN\* WHEELS
  - BRAKE AND NON-BRAKE MODELS
- SUPPLIED WITH SLOTTED HEAD LOCKING SET SCREWS TO MEET N.S.F. REQUIREMENTS



## SAFETY SERIES ADJUSTABLE CASTER LEG ASSEMBLIES



COMPONENT

SAFETY SERIES CASTER LEG ASSEMBLIES were designed specifically for fryers and other "hot content" equipment that rests on pitched floors and must be moved for cleaning and servicing. To avoid dangerous content spillage, these casters are engineered with a SPECIAL RETAINING FEATURE...the caster CANNOT BE DISASSEMBLED FROM THE LEG while adjusting equipment height or during the movement of equipment. Eliminates incidence of costly spills and serious accidents from caster assemblies inadvertently coming apart.

### SAFETY SERIES 1-5/8" (41mm) O.D. CASTER LEG ASSEMBLIES

WHEEL DIA.	MOUNTING TYPE	MINIMUM O.A. HEIGHT	ADJ.	NON-BRAKE MODEL NO.	BRAKE MODEL NO.	LOAD RATING PER CASTER
3" (76mm)	3-1/2" (89mm) Square Plate*	6" (152mm)	1/2" (12mm)	C47-0306-C	C47-0316-C	200 lbs (90 kg)
4" (102mm)	3-1/2" (89mm) Square Plate*	7-1/2" (190mm)	1" (25mm)	C47-0406-C	C47-0416-C	275 lbs (125 kg)
5" (127mm)		8-1/2" (215mm)	1" (25mm)	C47-0506	C47-0516	300 lbs (135 kg)
4" (102mm)	1/2-13 Stud	7-1/2" (190mm)	1" (25mm)	C50-0406-C	C50-0416-C	275 lbs (125 kg)
5" (127mm)		8-1/2" (215mm)	1" (25mm)	C50-0506-C	C50-0516-C	300 lbs (135 kg)
3" (76mm)	3-1/2" (89mm) Square Plate**	8-1/2" (215mm)	2" (50mm)		C48-03185-C	300 lbs (135 kg)

\*\*Universal mounting plate – FOR PLATE HOLE PATTERN CONFIGURATION, REFER TO PG. F164-F166.

### SAFETY SERIES 2" (51mm) O.D. CASTER LEG ASSEMBLIES

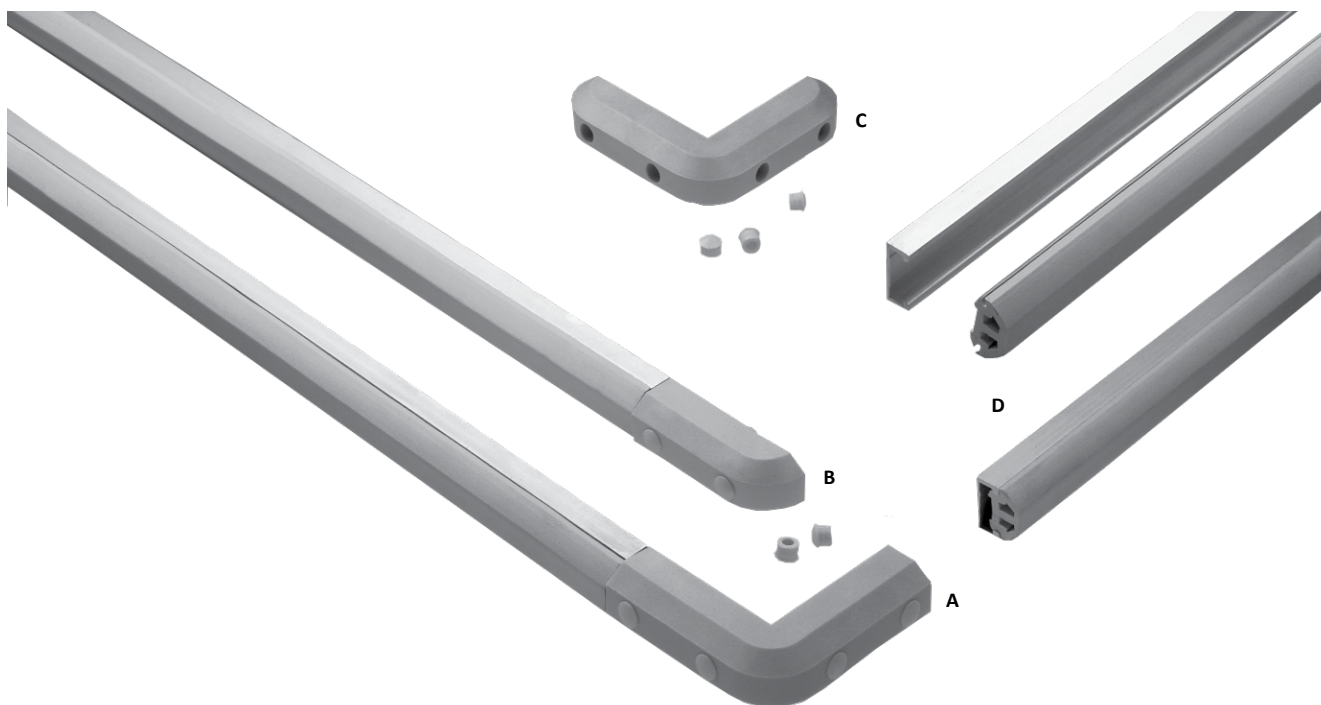
WHEEL DIA.	MOUNTING TYPE	MINIMUM O.A. HEIGHT	ADJ.	NON-BRAKE MODEL NO.	BRAKE MODEL NO.	LOAD RATING PER CASTER
5" (127mm)	3-1/2" (89mm) Square Plate	8-1/2" (215mm)	1" (25mm)	C83-0506	C83-0516	300 lbs (135 kg)
5" (127mm)	3/4-10 Stud	8-1/2" (215mm)	1" (25mm)	C86-0506	C86-0516-C	300 lbs (135 kg)

\*Solid Polyolefin Wheels are lightweight, easy rolling wheels made from one of the most durable thermoplastics. These wheels require no bearings and are ideal for those corrosive conditions which cause costly and continual bearing replacement. Polyolefin wheels offer resistance to most oils, chemicals, grease, solvents and acids.

### SPECIFICATIONS

- LEGS: 16 ga (2mm), POLISHED TO A #4 SATIN FINISH AND FURNISHED WITH (2) LOCKING SLOTTED HEAD SET SCREWS (TO CONFORM TO NSF REQUIREMENTS).
- MOUNTING PLATES: 11 ga (3mm) PAINTED STEEL, 3-1/2" (89mm) SQUARE WITH FOUR 5/16" (8mm) DIA. HOLES ON 2-5/8" (66mm) CENTERS.
- CASTERS: MEDIUM DUTY WITH \*POLYOLEFIN WHEELS WITH A TREAD WIDTH OF 1-1/4" (32mm) AND AN OPERATING TEMPERATURE RANGE OF -20°F TO 180°F (-29°C TO 82°C). HARDNESS OF 65+ 5 DUROMETER ON SHORE D SCALE.

CASTER LEG ASSEMBLIES ARE NON-STOCK ITEMS. OTHER MODELS AVAILABLE ON SPECIAL APPLICATION.



## CONTEMPO STRIP BUMPER SYSTEM

- CONCEALED MOUNTING... MAY BE RIVETED OR FASTENED WITH SCREWS
- TWO PIECE CONSTRUCTION... EXTRUDED ANODIZED ALUMINUM BASE WITH A DURABLE CUSHION STRIP THAT EASILY SNAPS IN PLACE
- SPECIAL CORNERS AND ENDS INTERFACE WITH STRIP BUMPER TO PROVIDE A CONTINUOUS, UNIFORM, ONE PIECE APPEARANCE

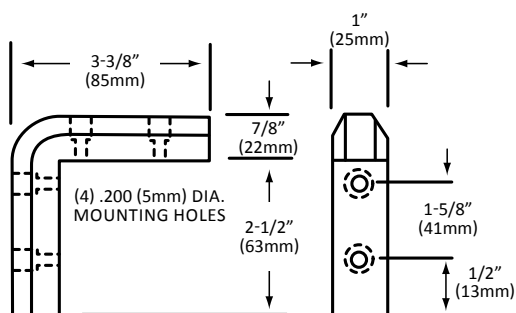


F

REF. A

### CORNER INTERFACE MODEL NO. C65-5090

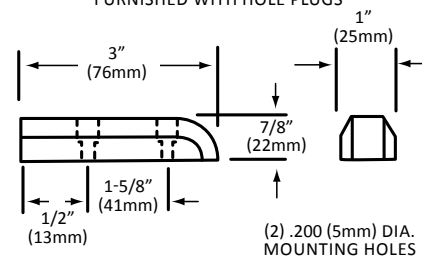
MATERIAL: GRAY PVC  
FURNISHED WITH HOLE PLUGS



REF. B

### END CAP INTERFACE MODEL NO. C65-5000

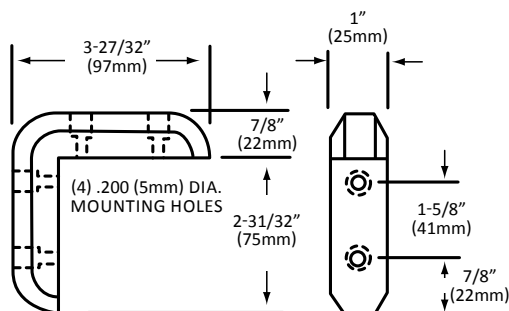
MATERIAL: GRAY PVC  
FURNISHED WITH HOLE PLUGS



REF. C

### CORNER BUMPER MODEL NO. C65-1010

MATERIAL: GRAY PVC  
FURNISHED WITH HOLE PLUGS



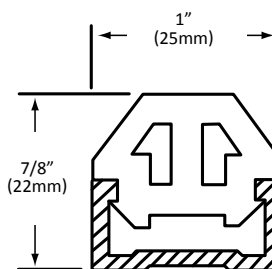
REF. D

### STRAIGHT STRIP BUMPER MODEL NO. C65-2072

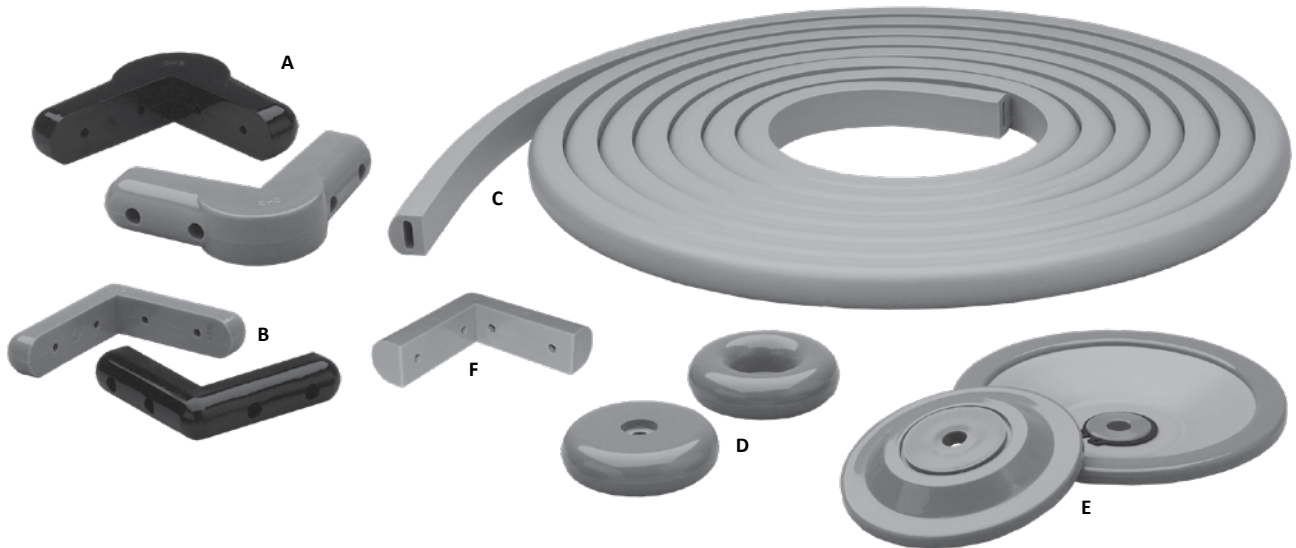
72" (1829mm) LG.

### MODEL NO. C65-2120

120" (3048mm) LG.

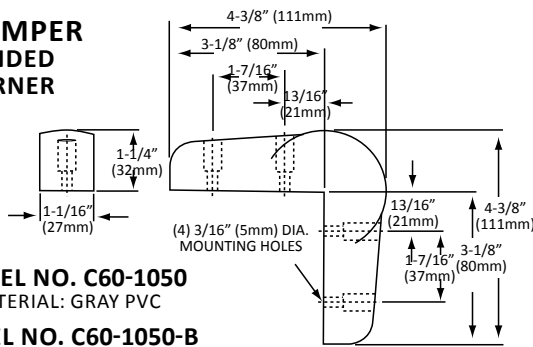


MATERIAL: EXTRUDED ALUMINUM RAIL  
WITH GRAY PVC SNAP-ON BUMPER STRIP



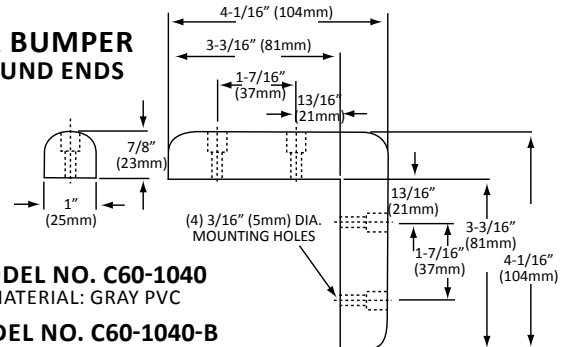
## STANDARD BUMPER COMPONENTS

**REF. A**  
**CORNER BUMPER**  
**WITH ROUNDED**  
**ENDS & CORNER**



**MODEL NO. C60-1050**  
MATERIAL: GRAY PVC  
**MODEL NO. C60-1050-B**  
MATERIAL: BLACK PVC  
**HOLE PLUGS**  
**MODEL NO. C60-X100-B**

**REF. B**  
**CORNER BUMPER**  
**WITH ROUND ENDS**

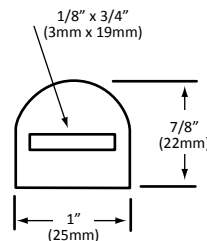


**MODEL NO. C60-1040**  
MATERIAL: GRAY PVC  
**MODEL NO. C60-1040-B**  
MATERIAL: BLACK PVC  
**HOLE PLUGS**  
**MODEL NO. C60-X100-B**

**REF. C**

**STRIP BUMPER**  
**MODEL NO. C60-5010**  
MATERIAL: GRAY RUBBER

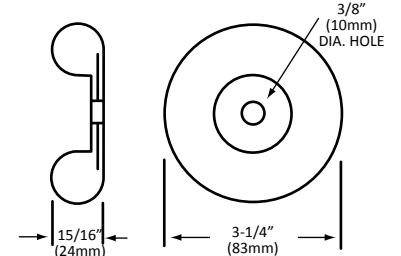
FURNISHED IN  
25 ft. (7.6m) COILS



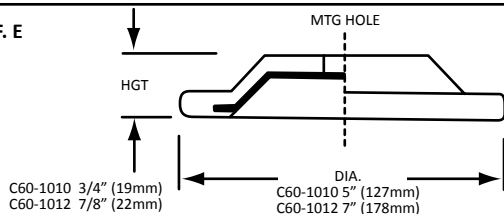
**REF. D**

**ROUND BUMPER**  
**MODEL NO. C60-1020**  
MATERIAL: GRAY RUBBER,  
STEEL REINFORCED.

IDEAL FOR USE ON  
ENDS OF TUBULAR  
HANDLES.



**REF. E**



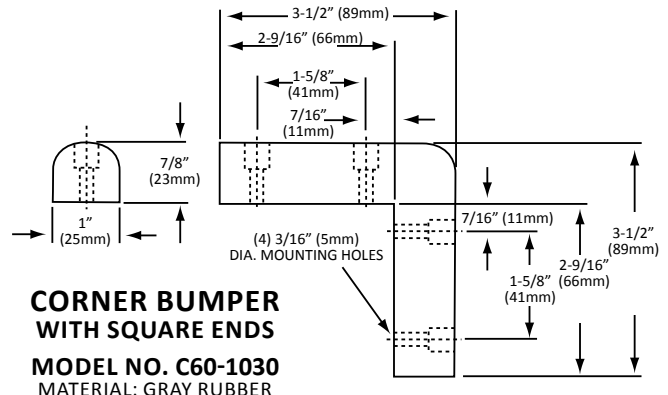
**ROLLING BUMPER**

**MODEL NO. C60-1010** 1/2" (13MM) MTG. HOLE  
**MODEL NO. C60-1012** 1/2" (13MM) MTG. HOLE  
**MODEL NO. C60-1010-SR** 0.846" (21MM) MTG. HOLE

FITS: STANDARD AND MEDIUM DUTY CASTERS  
MATERIAL: GRAY RUBBER, STEEL REINFORCED

ROLLING BUMPER WHEELS MAY BE SUPPLIED FOR ANY  
STOCK DIAMETER STEM WITH RUBBER EXPANDING APPLICATORS

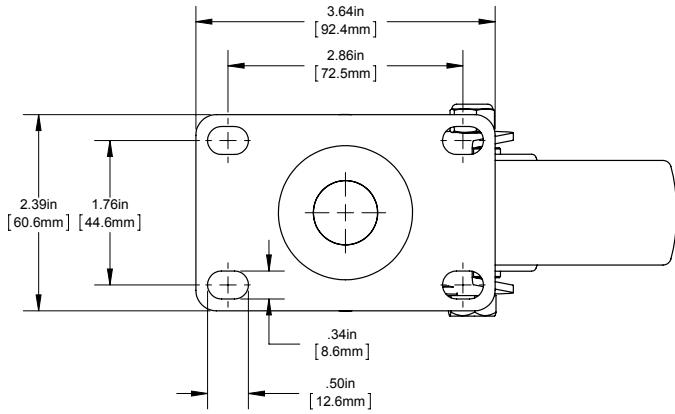
**REF. F**



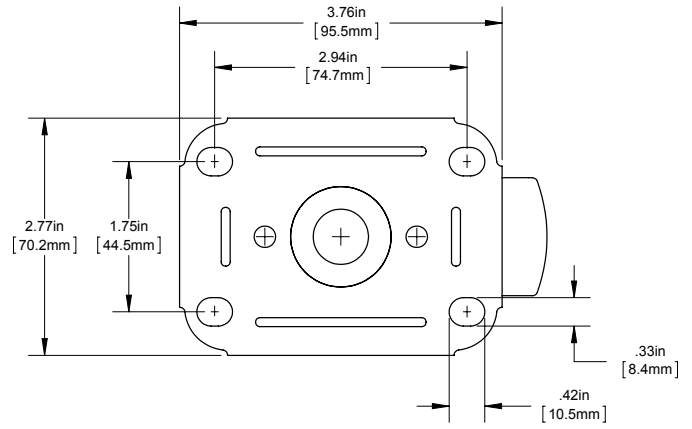
**CORNER BUMPER**  
**WITH SQUARE ENDS**  
**MODEL NO. C60-1030**  
MATERIAL: GRAY RUBBER

# Mounting Plate Hole Pattern Configurator

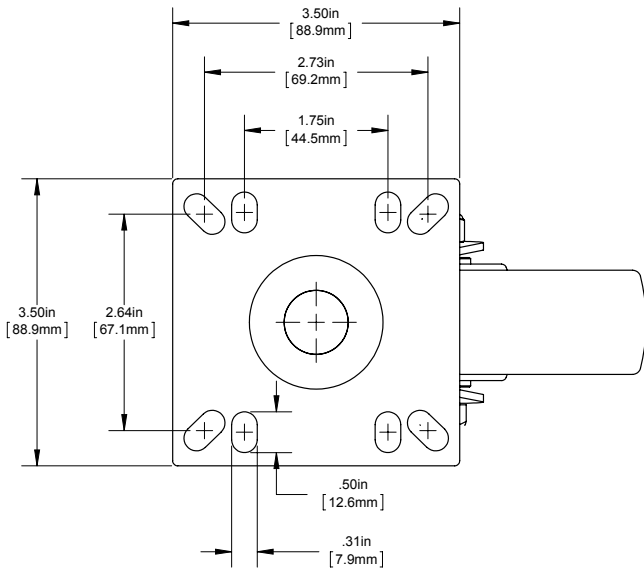
**CMP1 SERIES MOUNTING PLATE**



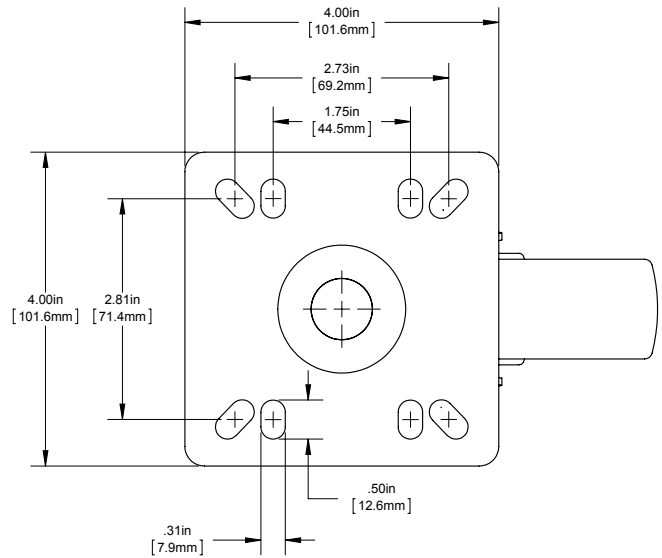
**CLP2 SERIES MOUNTING PLATE**



**CMP4 SERIES MOUNTING PLATE**

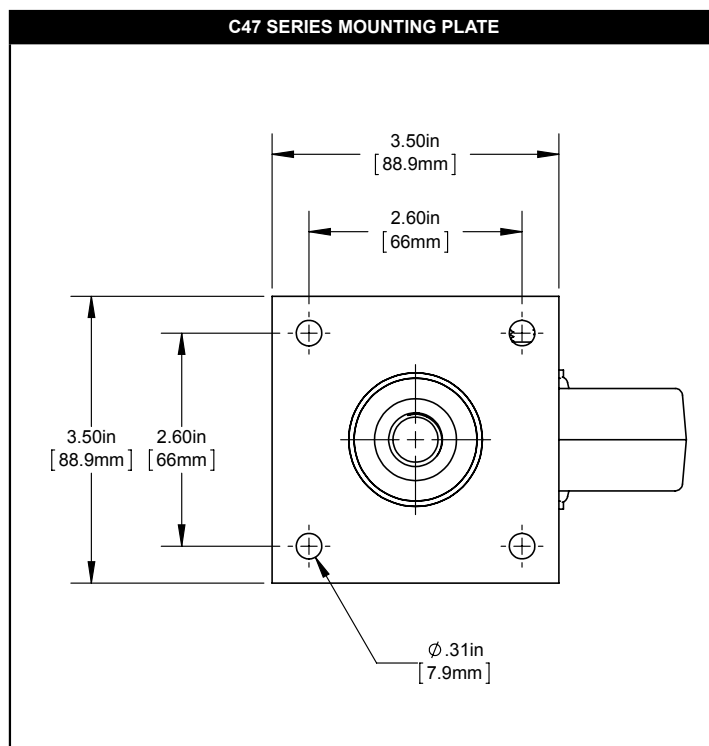
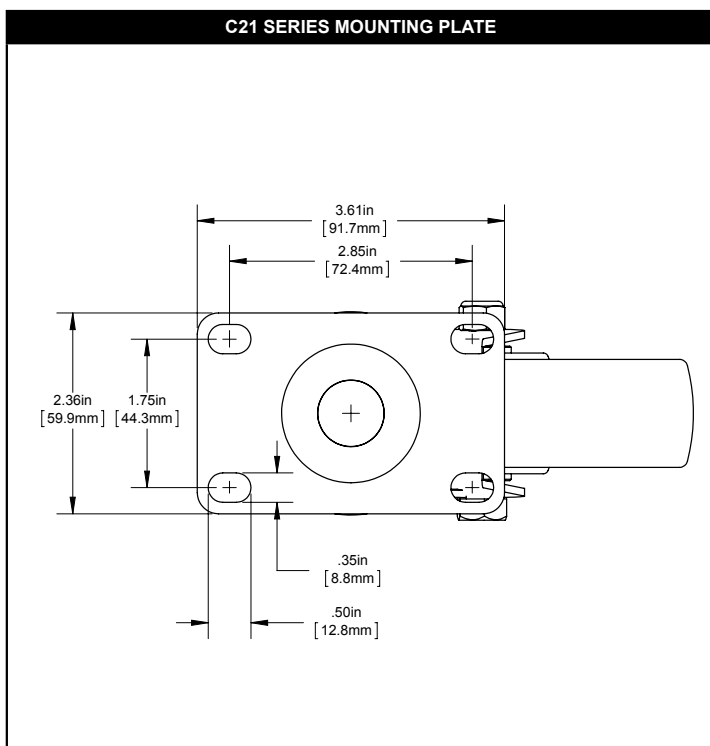
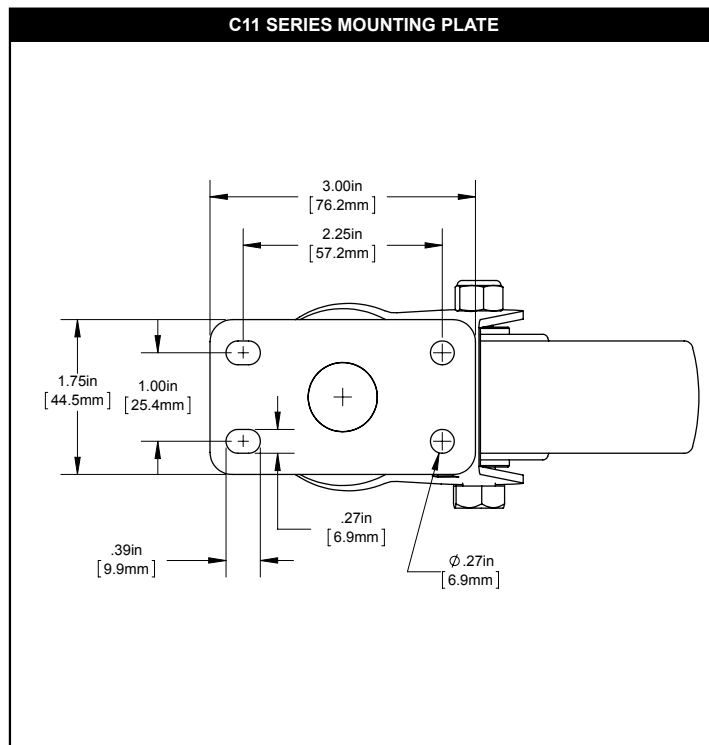
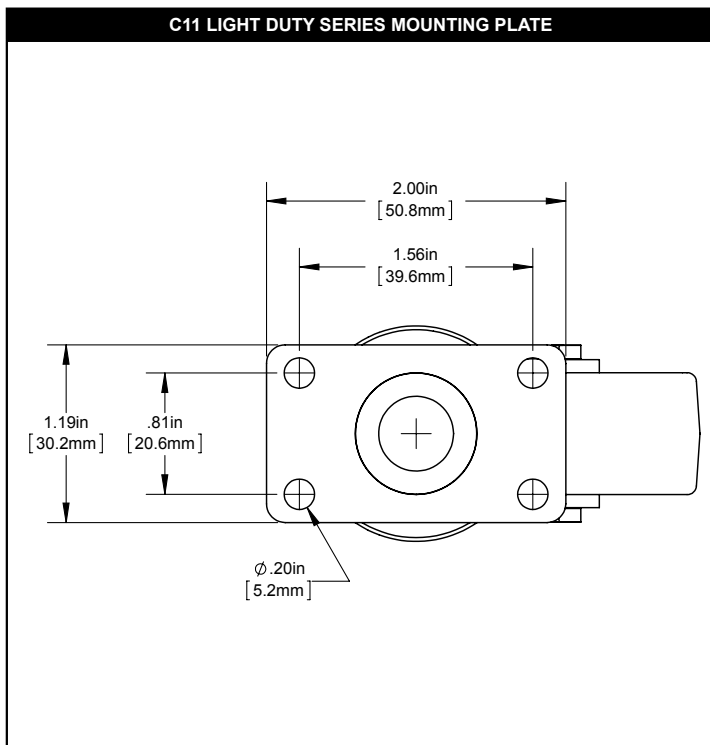


**CMPU SERIES MOUNTING PLATE**



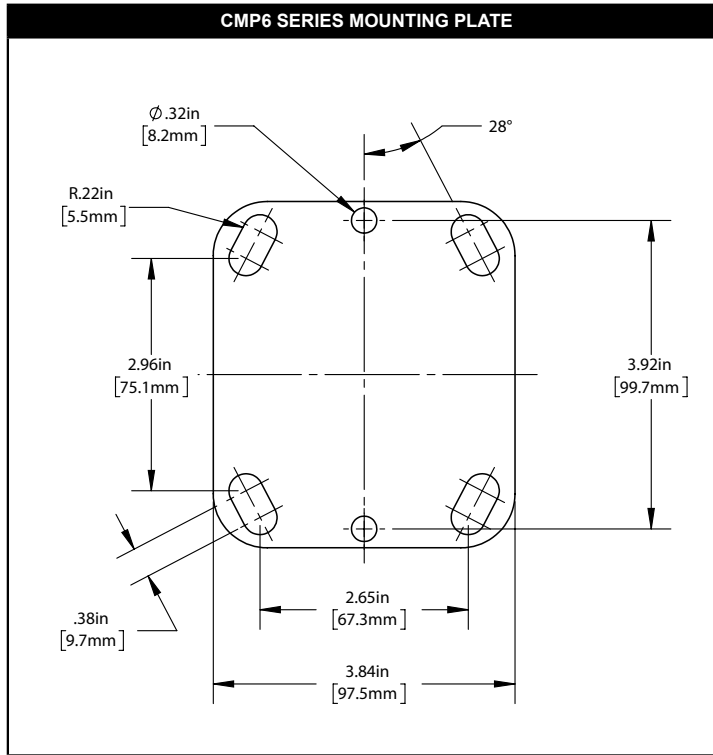
F



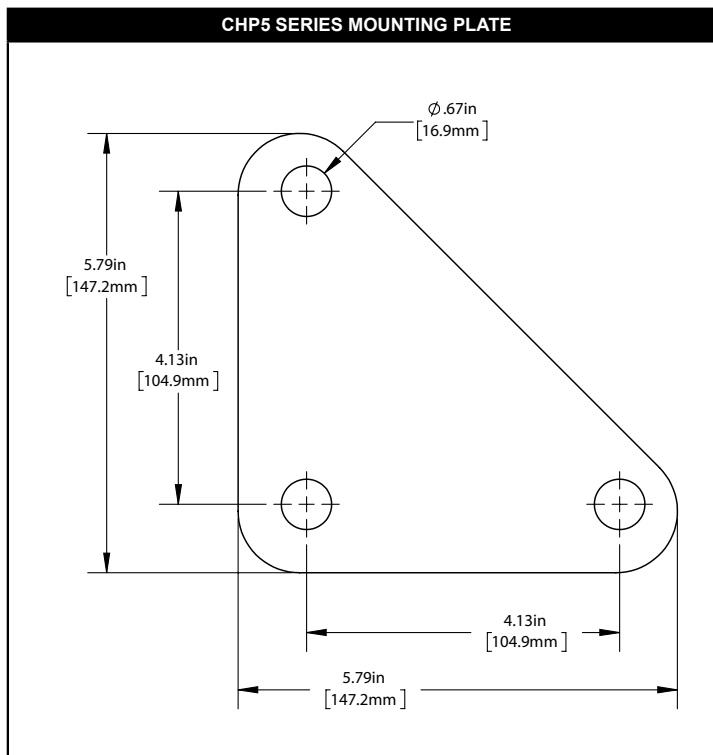


F

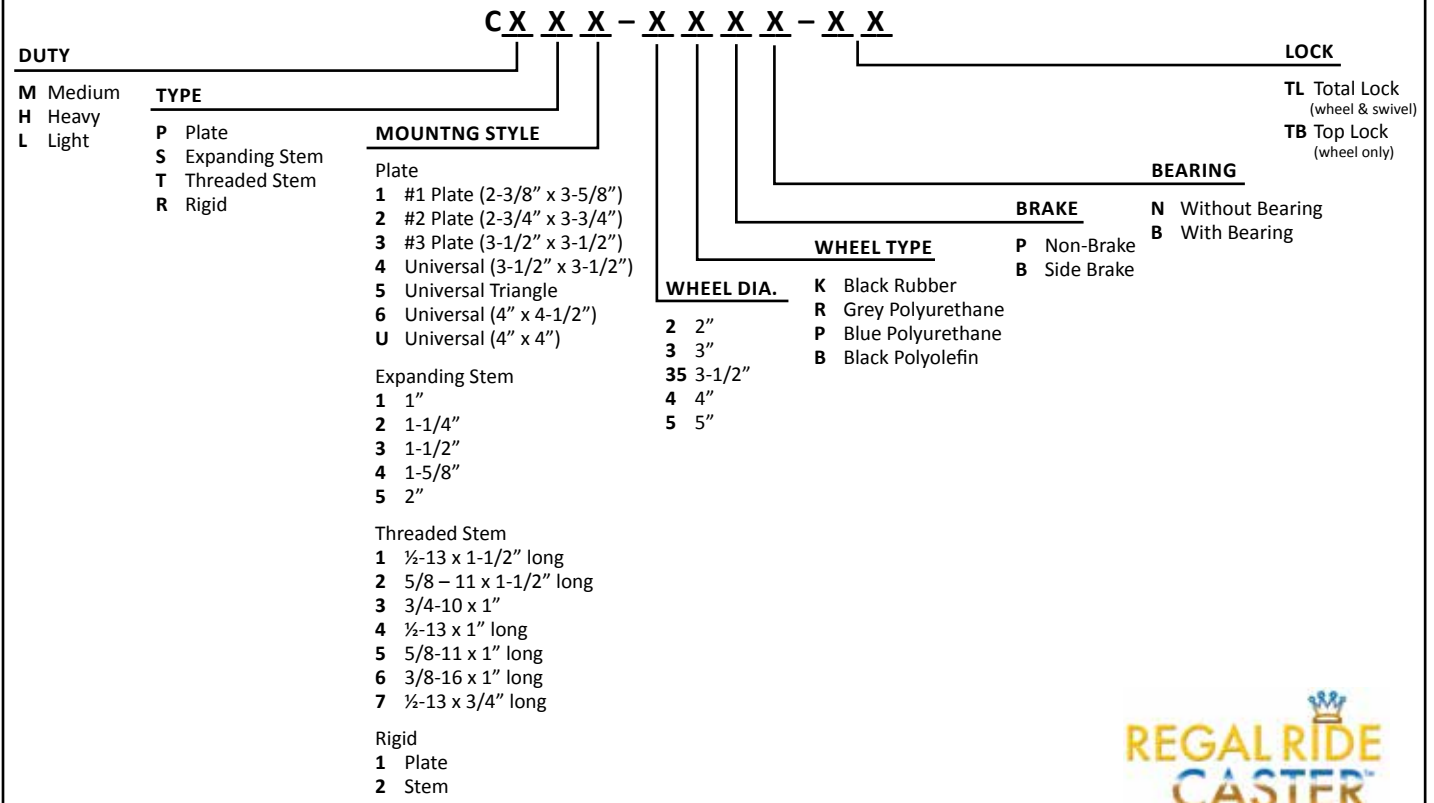
# Mounting Plate Hole Pattern Configurator



F



## REGAL RIDE CASTER CONFIGURATOR



F

# CABINET HARDWARE



DOOR HANDLES & PULL/PUSH PLATES

GRAB BARS

HANDLES

HANDLES & KNOBS

PULLS

RECESSED PULLS

HEAVY DUTY STAINLESS STEEL SLIDE AND PADDLE LATCHES

PULLS & CATCHES

CABINET LATCHES & CONTINUOUS HINGES

LATCHES & HINGES, LIFT-OFF

HINGES

LOCKS

G169

G170

G171

G172

G173

G174

G175

G176

G177

G178

G179

G180-G181

MAGNETIC CATCHES

MECHANICAL CATCHES

DRAWER SLIDES

DRAWER PANS

STAINLESS STEEL DRAWER ASSEMBLY

CASH DRAWER ASSEMBLY

BUMPERS & GROMMETS

BALL BEARING SYSTEMS

FLAT BEARINGS

CONCAVE & RUBBER TIRE BEARINGS

BALL BEARING ASSEMBLIES, PULLY & WHEEL

SLIDING DOOR COMPONENTS

G182

G183

G184-G188

G189

G190

G191-G192

G193

G194

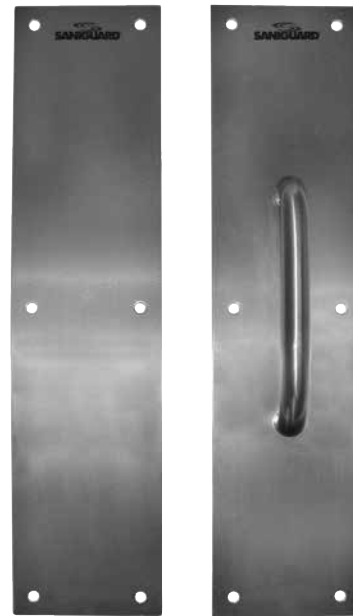
G195

G196

G197

G198

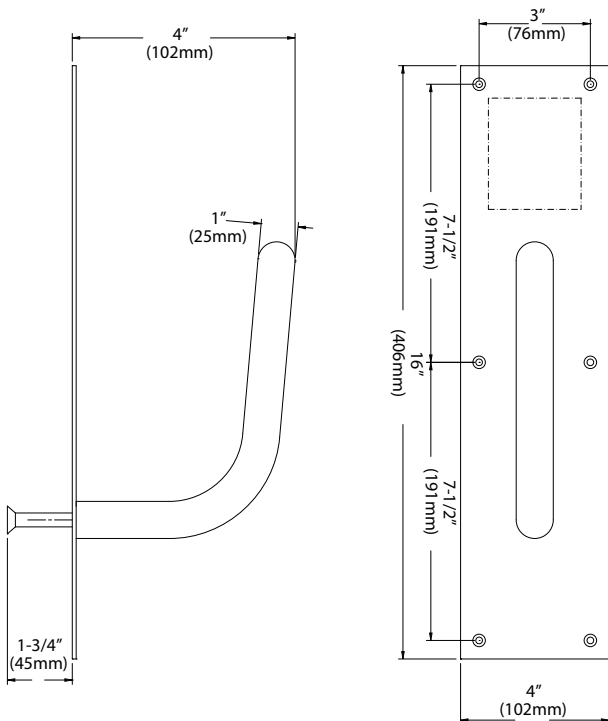
G



## SANIGRASP™ DOOR HANDLE

- HEAVY DUTY CONSTRUCTION MOUNTING HARDWARE INCLUDED
- FULL 1" ANGLED TUBULAR PULL FOR OPENING EASE WITH THE FOREARM
  - HOLE PATTERNS TO MATCH MOST STANDARD DOOR PUSH-PULL PLATES MAKE RETRO-FIT EASY
- PROVIDED WITH SANIGUARD® ANTIMICROBIAL PRODUCT PROTECTION
  - ELIMINATES THE NEED TO USE YOUR HAND TO OPEN RESTROOM DOOR AFTER WASHING YOUR HANDS
  - ADA AND ABA COMPLIANT

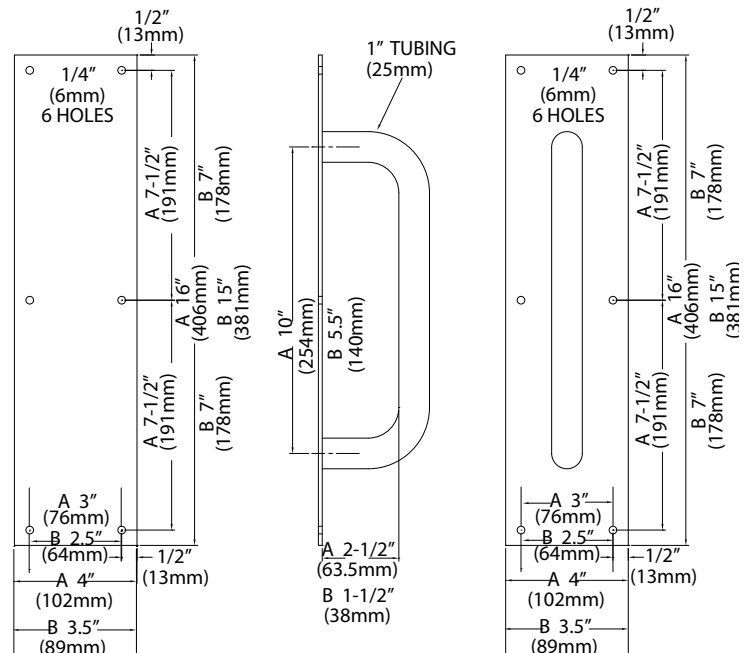
MODEL NO. SG-101



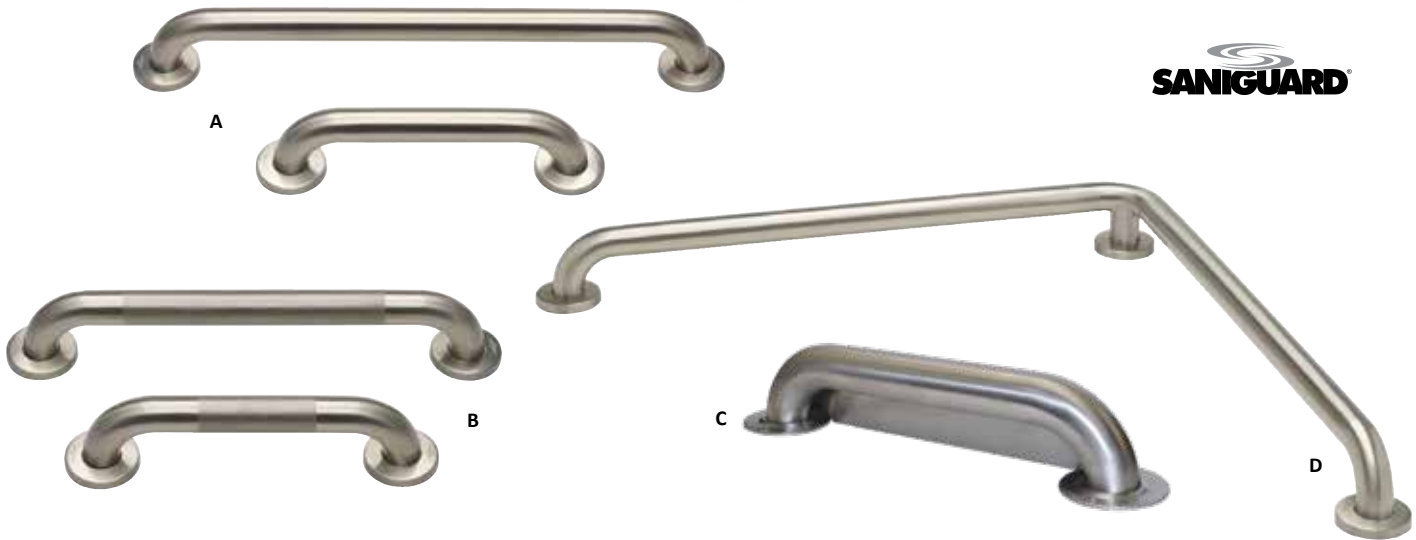
## PULL/PUSH PLATES

- ALL STAINLESS STEEL CONSTRUCTION RETRO-FITS TO MOST COMMON PUSH/PULL PLATE HOLE-PATTERNS
- SANIGUARD® TREATMENT INHIBITS THE GROWTH OF BACTERIA, MOLDS AND FUNGI, WHICH CAN CAUSE ODORS, STAINING AND PRODUCT DETERIORATION AND ELIMINATES FINGERPRINTS
  - SANIGUARD® PRODUCT PROTECTION WILL LAST FOR THE USEFUL LIFE OF THE PRODUCT

MODEL NO. P75-1000-Q (B)  
MODEL NO. P75-5000 (A)

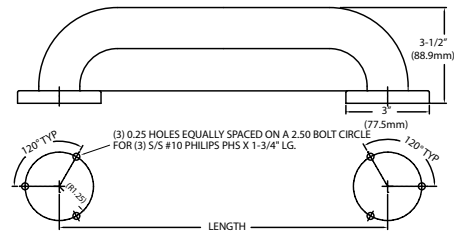
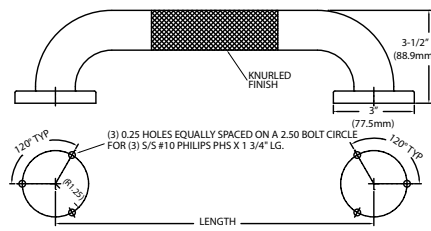
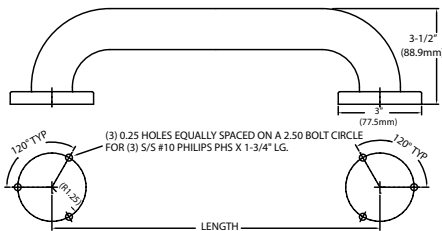


NOTE: SANIGUARD® PRODUCT PROTECTION IS DESIGNED TO KEEP THE PRODUCT FRESHER AND CLEANER BETWEEN NORMAL CLEANING ROUTINES. IT IS NOT A DISINFECTANT AND WILL NOT PROTECT USERS OR OTHERS AGAINST FOOD-BORNE ILLNESS OR DISEASE. ALWAYS USE GOOD HYGIENE AND CLEANING PRACTICES.



## GRAB BARS AND HAND RAILS

REF. A SMOOTH FINISH GRAB BAR		REF. B KNURLED FINISH GRAB BAR		REF. C PRISON ANTI-LIGATURE GRAB BAR	
MODEL NO.	DIMENSION	MODEL NO.	DIMENSION	MODEL NO.	DIMENSION
GBS15-1112-Q	12" (305mm)	GBS15-4112-Q	12" (305mm)	GBS15-1112-QP	12" (305mm)
GBS15-1116-Q	16" (406mm)	GBS15-4116-Q	16" (406mm)	GBS15-1116-QP	16" (406mm)
GBS15-1118-Q	18" (457mm)	GBS15-4118-Q	18" (457mm)	GBS15-1118-QP	18" (457mm)
GBS15-1124-Q	24" (610mm)	GBS15-4124-Q	24" (610mm)	GBS15-1124-QP	24" (610mm)
GBS15-1130-Q	30" (762mm)	GBS15-4130-Q	30" (762mm)	GBS15-1130-QP	30" (762mm)
GBS15-1132-Q	32" (813mm)	GBS15-4132-Q	32" (813mm)	GBS15-1132-QP	32" (813mm)
GBS15-1136-Q	36" (914mm)	GBS15-4136-Q	36" (914mm)	GBS15-1136-QP	36" (914mm)
GBS15-1142-Q	42" (1067mm)	GBS15-4142-Q	42" (1067mm)	GBS15-1142-QP	42" (1067mm)
GBS15-1148-Q	48" (1219mm)			GBS15-1148-QP	48" (1219mm)

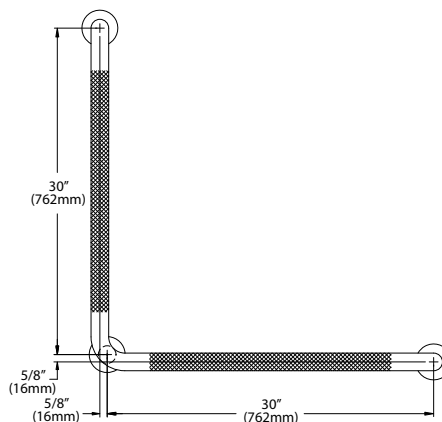


### REF. D SMOOTH L-SHAPED GRAB BAR

MODEL NO.	DIMENSION
GBS15-113030Q	30" x 30" (762mm x 762mm)
-	40" x 30" (1017mm x 762mm)

### KNURLED L-SHAPED GRAB BAR

MODEL NO.	DIMENSION
GBS15-413030Q	30" x 30" (762mm x 762mm)
GBS15-414030Q	40" x 30" (1017mm x 762mm)



STAINLESS STEEL, 1-1/2" DIAMETER GRAB BARS. AVAILABLE IN SMOOTH OR KNURLED FINISH, COMPLETE WITH CONCEALED MOUNTING FLANGE AND PRESS-ON FLANGE COVER. ALL GRAB BARS ARE PERMANENTLY COATED WITH SANIGUARD® TREATMENT.

NOTE: SANIGUARD® PRODUCT PROTECTION IS DESIGNED TO KEEP THE PRODUCT FRESHER AND CLEANER BETWEEN NORMAL CLEANING ROUTINES. IT IS NOT A DISINFECTANT AND WILL NOT PROTECT USERS OR OTHERS AGAINST FOOD-BORNE ILLNESS OR DISEASE. ALWAYS USE GOOD HYGIENE AND CLEANING PRACTICES.





## HANDLES

REF. A



### SCULPTURED HANDLES FEATURING...

- SOLID METAL CASTING • POLISHED CHROME FINISH
- FRONT OR REAR FASTENING • TWO LENGTHS AVAILABLE

MODEL NO.	O.A. LENGTH	"A" DIM.	"B" DIM.
P48-1010	14-5/8" (371mm)	13-7/16" (340mm)	12-7/16" (316mm)
P48-1012	12-13/16" (325mm)	11-5/8" (295mm)	10-5/8" (270mm)

NOTES: "A" DIMENSION REPRESENTS HOLE CENTERS FOR FRONT MOUNTING #10 SCREWS. "B" DIMENSION REPRESENTS THREADED HOLE CENTERS TO RECEIVE 1/4-20 SCREWS FOR REAR MOUNTING. DECORATIVE TRIM INSERTS ARE SUPPLIED TO CONCEAL FRONT MOUNTING SCREWS. EXTRA TRIM INSERTS ARE AVAILABLE AND MAY BE ORDERED AS MODEL NO. P48-X002.

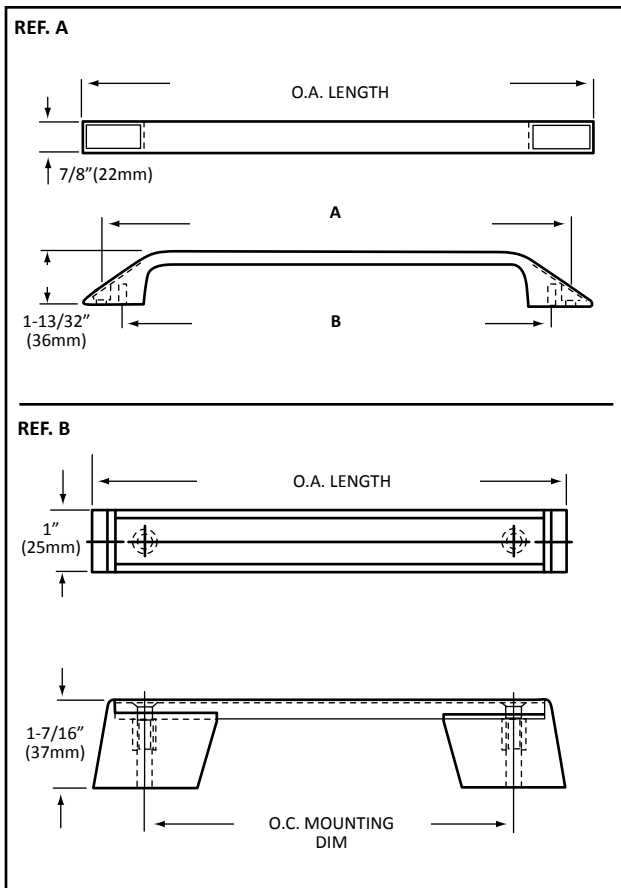
REF. B

### DECORATIVE HANDLES FEATURING...

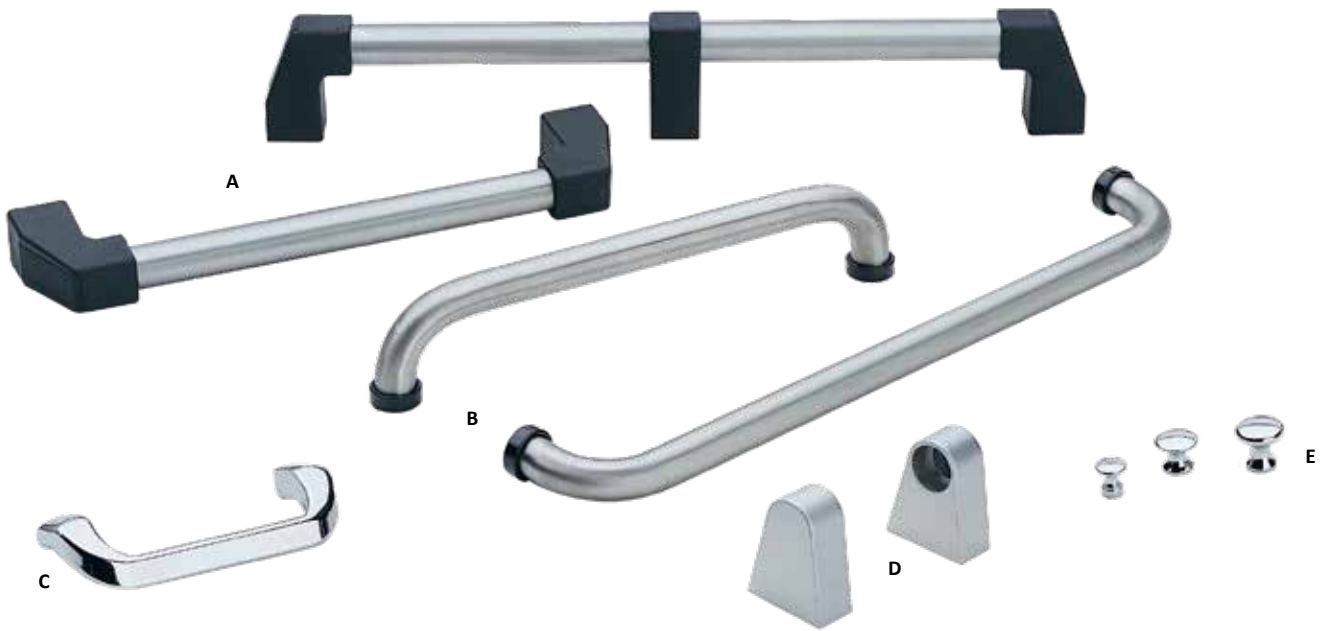
- DUAL MOUNTING... FRONT OR REAR • TWO STANDARD LENGTHS AVAILABLE
- HEAT RESISTANT • HEAVY DUTY CONSTRUCTION
- ANODIZED ALUMINUM HANDLE WITH NYLON SUPPORTS

MODEL NO.	O.A. LENGTH	O.C. MOUNTING DIM.
P49-1500-6	7-11/16" (195mm)	6" (152mm)
P49-1500	12-1/4" (311mm)	10-5/8" (270mm)

NOTES: PRE-ASSEMBLED HANDLES WILL ACCEPT SCREWS FOR FRONT MOUNTING. INTERNAL BRASS BUSHINGS ACCEPT STANDARD 1/4-20 MACHINE SCREWS FOR REAR FASTENING. A PRESSURE SENSITIVE BLACK VINYL INSERT CONCEALS SCREW HOLES. OTHER LENGTHS AVAILABLE UPON APPLICATION ON QUANTITY ORDERS.



# Handles & Knobs



## HANDLES & KNOBS

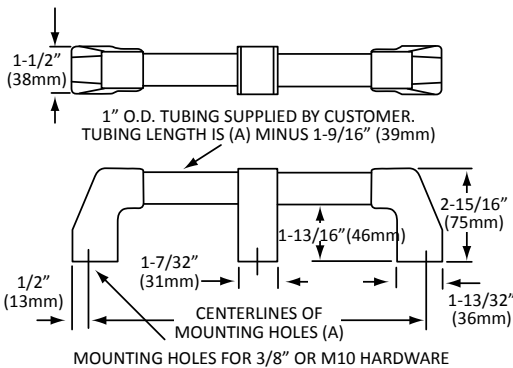
### REF. A HANDLE BRACKETS HEAVY-DUTY NYLON

FIBERGLASS REINFORCED END BRACKETS (PR.) AND CENTER SUPPORT BRACKET (EA.)

IDEAL FOR MOBILE CARTS. CONCEALED MOUNTING FEATURE. FRONT OR REAR MOUNT. TEMPERATURE RANGE TO 300°F (149°C).

**MODEL NO. P49-2100**  
END BRACKET (PAIR)

**MODEL NO. P49-2200**  
CENTER SUPPORT BRACKET (EACH)



### REF. B HEAVY-DUTY TUBULAR HANDLES STAINLESS STEEL, SATIN FINISH

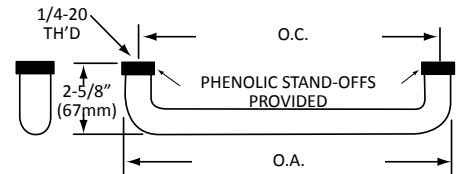
**MODEL NO. P47-1012**

12-7/8" (327mm) O.A. 12" (305mm) O.C.

**MODEL NO. P47-1018**

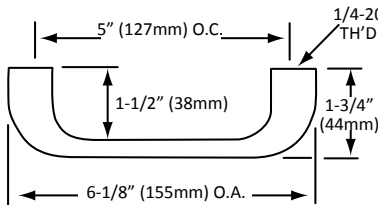
18-7/8" (479mm) O.A. 18" (457mm) O.C.

MATERIAL: 7/8" (22mm) O.D. STAINLESS STEEL FORMED TUBING



### REF. C OFFSET HANDLE CHROME PLATED MODEL NO. P40-1010

MATERIAL: CHROME PLATED DIE CAST METAL



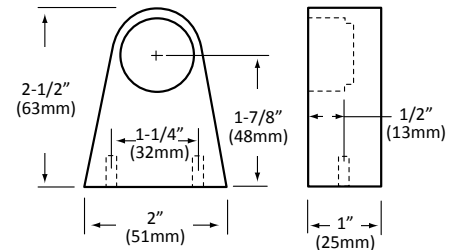
### REF. D

### HANDLE SUPPORTS ALUMINUM FOR 1" (25mm) O.D. TUBING

EACH SUPPORT IS TAPPED TO RECEIVE (2) 1/4-20 SCREWS

**MODEL NO. P49-1010 (ONE PAIR)**

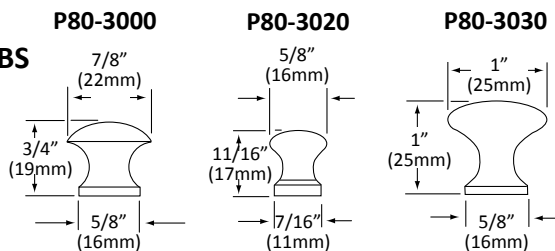
MATERIAL: DIE CAST ALUMINUM WITH SATIN TEXTURED FINISH

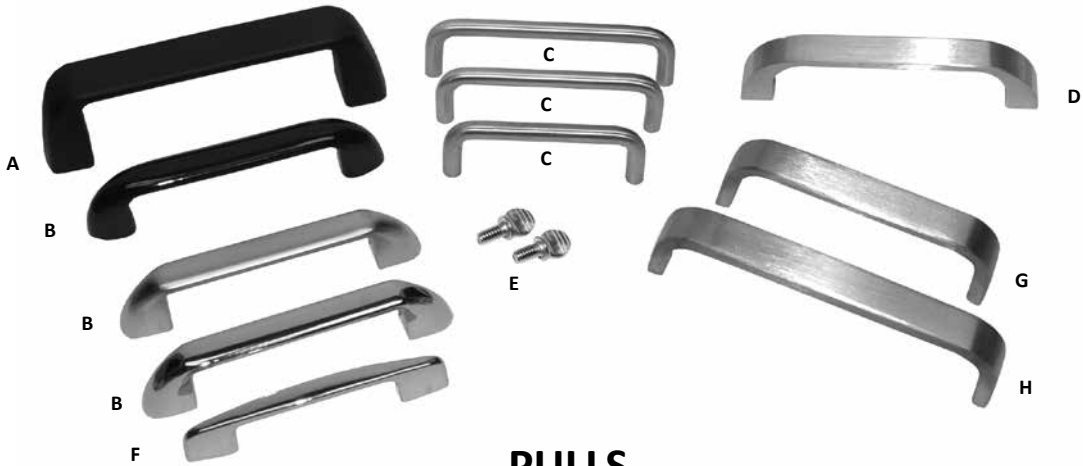


### REF. E

### CHROME PLATED BRASS KNOBS

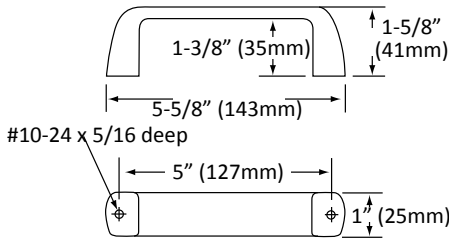
ALL KNOBS TAPPED TO RECEIVE #8-32 SCREWS.





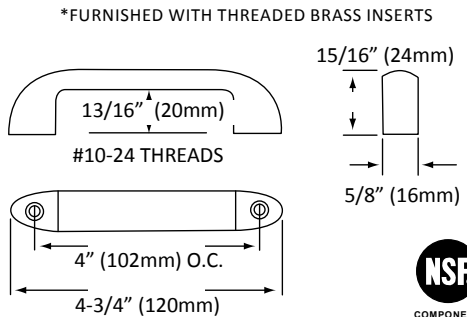
**PULLS**

**REF. A HANDLE**  
**BLACK NYLON FIBERGLASS**  
**REINFORCED WITH SOLID BRASS**  
**TAPPED INSERTS**  
 IDEAL FOR HEATED CABINETS.  
 RATED TO 300°F (149°C TEMPERATURE).  
 FULL 1-3/8" GRIP CLEARANCE  
**MODEL NO. P53-1012**



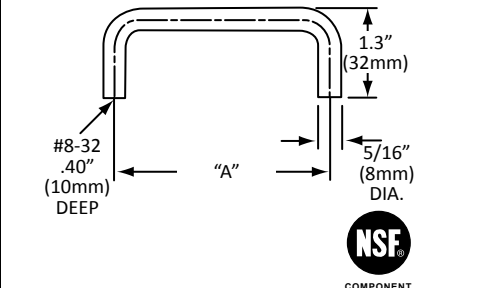
**REF. B PULLS**  
**DIE CAST OR NYLON**

MODEL NO.	MATERIAL	FINISH
P50-1010	Die Cast	Polished Chrome
P50-1011	Die Cast	Buffed Satin
P52-1010*	Nylon	Gloss Black

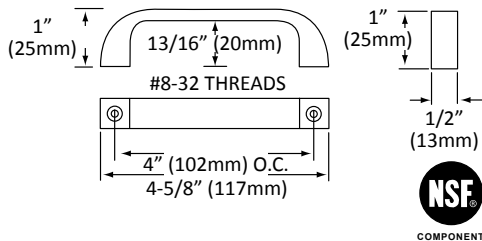


**REF. C WIRE PULLS**

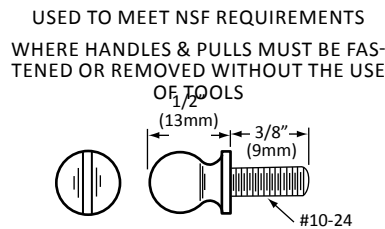
MODEL NO.	FINISH	"A"
P45-3000	Satin Chrome	3" (76mm)
P45-3500	Satin Chrome	3-1/2" (89mm)
P45-4010	Matte Chrome	4" (102mm)



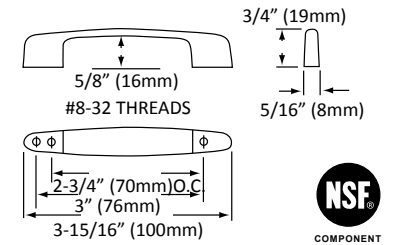
**REF. D PULLS**  
**ALUMINUM ALLOY SATIN FINISH**  
**MODEL NO. P44-1010**



**REF. E THUMBSCREW FASTENER**  
**STAINLESS STEEL**  
**MODEL NO. P51-1024**

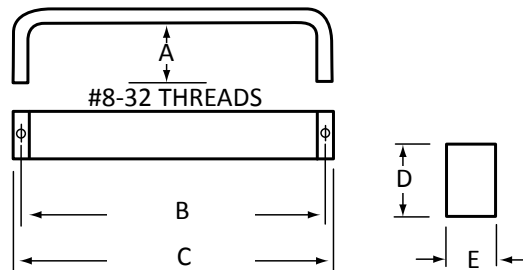


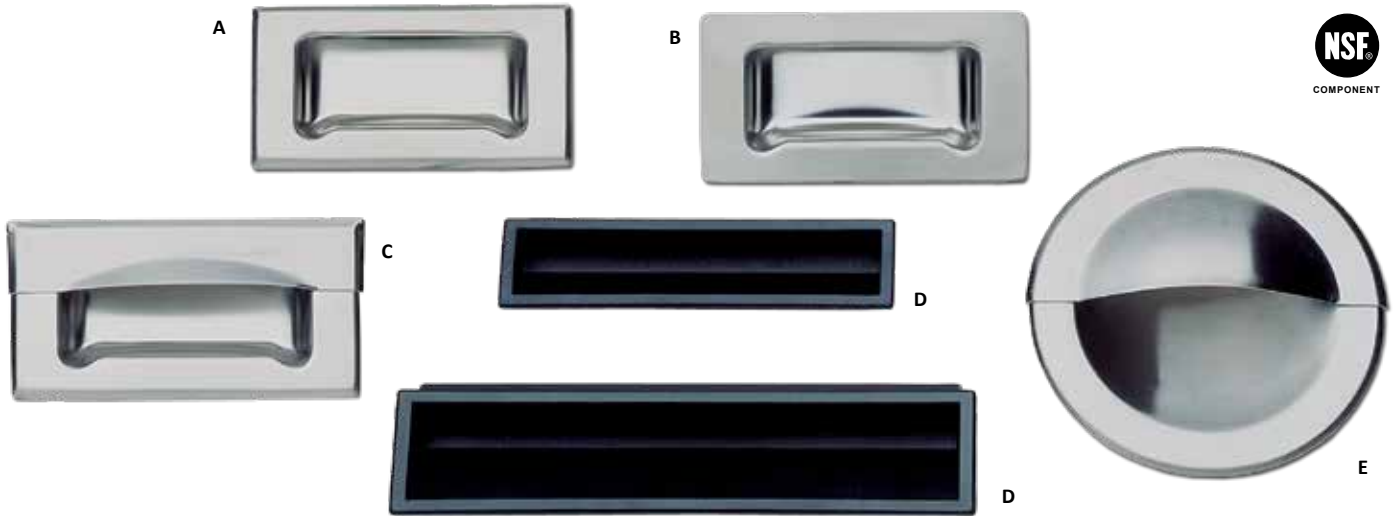
**REF. F PULLS**  
**DIE CAST...CHROME PLATED**  
**MODEL NO. P51-1010**



**REF. G, H BAR PULLS, STAINLESS STEEL...SATIN FINISH**  
 MATERIAL: 1/4" (6mm) THICK SOLID STAINLESS STEEL

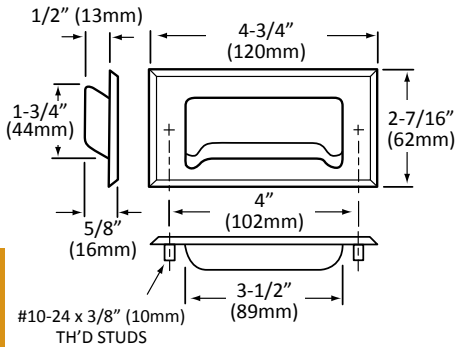
REF	MODEL NO. P46-1010	MODEL NO. P46-1012
A	1" (25mm)	1" (25mm)
B	5" (127mm) O.C.	4" (102mm) O.C.
C	5-1/4" (133mm)	4-1/4" (108mm)
D	1-1/4" (32mm)	1-1/4" (32mm)
E	5/8" (16mm)	5/8" (16mm)



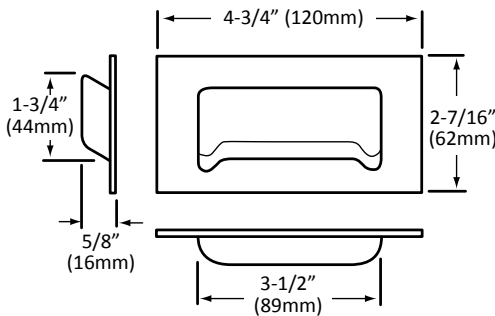


## RECESSED PULLS

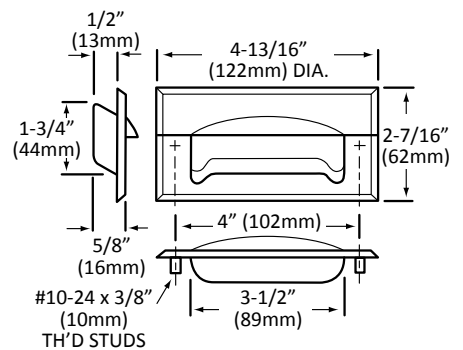
**REF. A**  
**DOOR PULL**  
**STAINLESS STEEL**  
**WITH FRAME BEVELED EDGE**  
**MODEL NO. P62-1010**  
 RETAINING LOCKNUTS PROVIDED



**REF. B**  
**DOOR PULL**  
**STAINLESS STEEL**  
**FLUSH TYPE FOR WELDING**  
**MODEL NO. P62-1014**

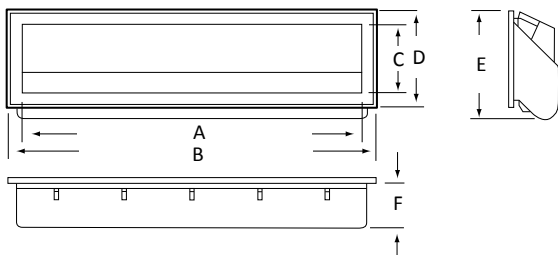


**REF. C**  
**DRAWER PULL**  
**STAINLESS STEEL**  
**FULL GRIP TYPE WITH**  
**FRAME BEVELED EDGE**  
**MODEL NO. P63-1012**  
 RETAINING LOCKNUTS PROVIDED



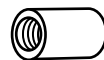
**REF. D**  
**RECESSED DOOR PULL**  
 • BLACK ABS THERMOPLASTIC  
 • SHOCK RESISTANT • SNAP-IN STYLE  
 ONE PIECE CONSTRUCTION FOR FAST, EFFICIENT INSTALLATION

MODEL NO.	GA.	A	B	C	D	E	F
P73-1000	18	5" (127mm)	5-7/16" (138mm)	1" (25mm)	1-7/16" (37mm)	1-9/16" (40mm)	5/8" (16mm)
P73-2000	22	7" (178mm)	7-7/16" (189mm)	1-5/16" (33mm)	1-3/4" (44mm)	2-1/16" (52mm)	7/8" (22mm)



**FEMALE STUD**  
**CONVERTS MALE**  
**STUD TO FEMALE**

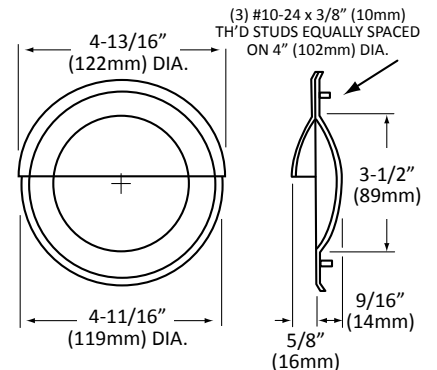
IDEAL FOR USE ON  
 WOOD CABINETS



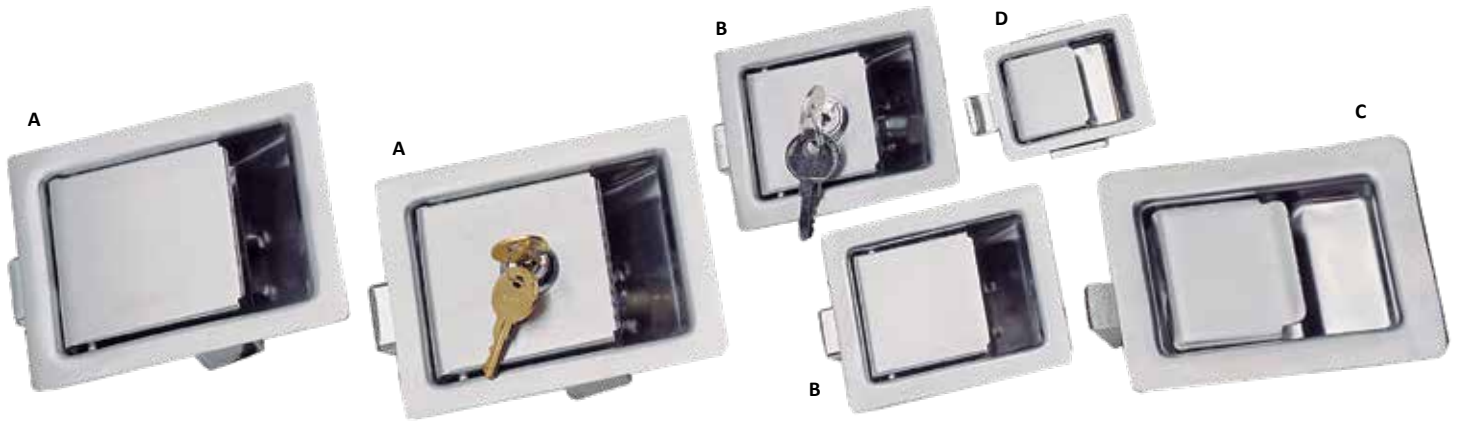
#10-24 TH'D X 5/8"  
 (16mm) LG.

**MODEL NO.**  
**P50-5000**

**REF. E**  
**ROUND PULL**  
**STAINLESS STEEL**  
**WITH BEVELED EDGE MOUNT**  
**MODEL NO. P60-1010**  
 RETAINING LOCKNUTS PROVIDED



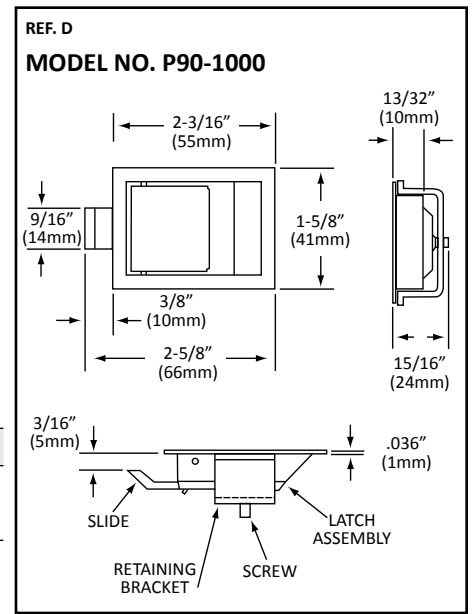
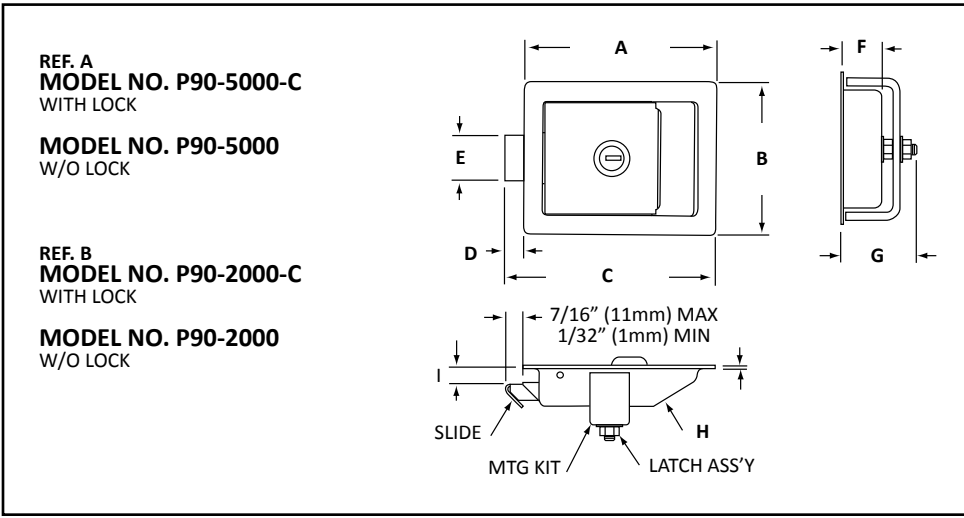
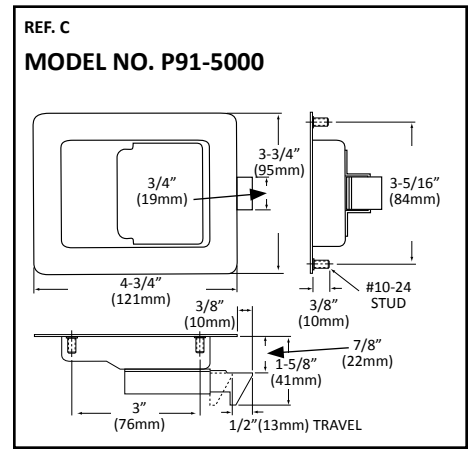
# Heavy Duty Stainless Steel Slide & Paddle Latches



## HEAVY- DUTY STAINLESS STEEL PADDLE LATCHES



- BRUSHED STAINLESS STEEL FINISH
- RUGGED ALL STAINLESS CONSTRUCTION
- ALLOWS FOR CLEAN, FLUSH MOUNTING
- CONVENIENT SIZE LATCHES OFFER A WIDE RANGE OF APPLICATION
  - ECONOMICALLY PRICED
- UNIQUE REAR MOUNTING BRACKET PROVIDES FAST INSTALLATION
- IDEAL FOR MOBILE CARTS AND ACCESS DOORS WHERE CONVENTIONAL SURFACE MOUNTED HARDWARE IS INAPPROPRIATE



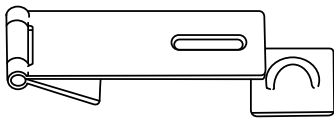
REF.	MODEL NO.	A	B	C	D	E	F	G	H	I
A	P90-5000	5"	4"	5-3/8"	1/2"	1-5/32"	1-1/32"	1-29/32"	.63"	7/16"
	P90-5000-C	(127mm)	(102mm)	(137mm)	(13mm)	(29mm)	(26mm)	(48mm)	(16mm)	(11mm)
B	P90-2000	3-5/16"	2-11/16"	3-5/8"	5/16"	3/4"	3/4"	1-13/32"	.048"	5/16"
	P90-2000-C	(84mm)	(68mm)	(92mm)	(8mm)	(19mm)	(19mm)	(36mm)	(2mm)	(8mm)





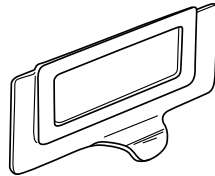
## PULLS & CATCHES

REF. A  
**HASP & STAPLE,  
STAINLESS STEEL**



**MODEL NO. M80-2500**  
2-1/2" x 1" x .072  
(63mm x 25mm x 2mm)

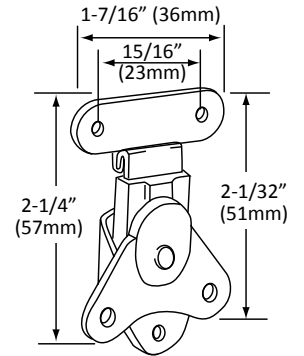
REF. B  
**CARDHOLDER & PULL,  
STAINLESS STEEL**



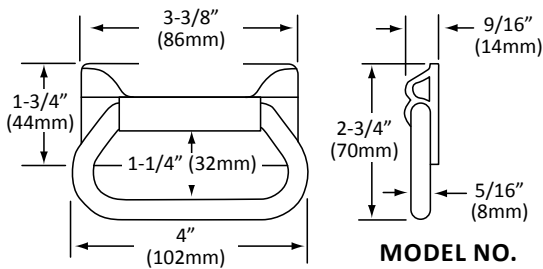
**MODEL NO. P88-1010**  
OVERALL SIZE:  
2-15/16" x 1-5/16" (74mm x 33mm)  
CARD SIZE:  
2-1/8" x 1-1/8" (54mm x 28mm)

REF. C  
**LINK-LOCKING LATCH,  
STAINLESS STEEL**

**MODEL NO. M11-8201**  
HEIGHT: 2-1/4" (57mm)  
WIDTH: 1-7/16" (36mm)  
PROFILE: 1/2" (12mm)  
PULL DOWN PRESSURE: 90 lbs (41kg)  
LOAD CAPACITY: 300 lbs (136kg)

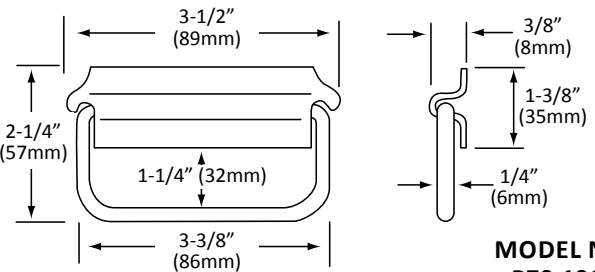


REF. D  
**HEAVY DUTY, STRAIGHT BACK  
DROP HANDLE, STAINLESS STEEL**



**MODEL NO.  
P68-1010**

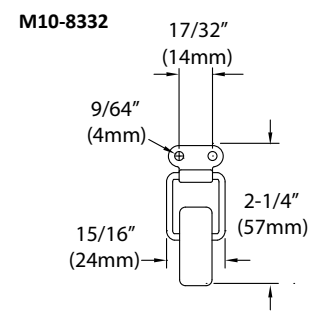
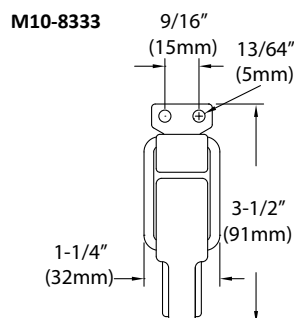
REF. E  
**STRAIGHT BACK  
DROP HANDLE, STAINLESS STEEL**



**MODEL NO.  
P70-1010**

REF. F  
**DRAWER-TITE ACTION CATCHES  
STAINLESS STEEL**

MODEL NO.	LENGTH	WIDTH	HOLES
M10-8332	2-1/4" (57mm)	1" (25mm)	.132 (3mm)
M10-8333	3-3/8" (86mm)	1-1/4" (32mm)	.195 (5mm)





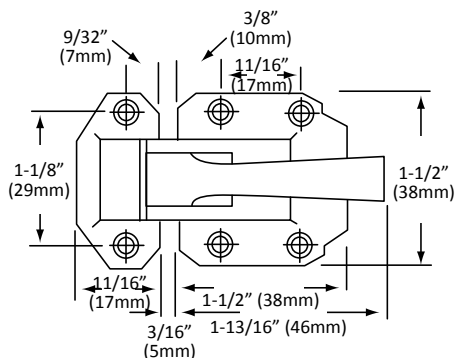


## CABINET LATCHES, HANDLES LATCHES & CONTINUOUS HINGES

REF. A

### CABINET LATCHES

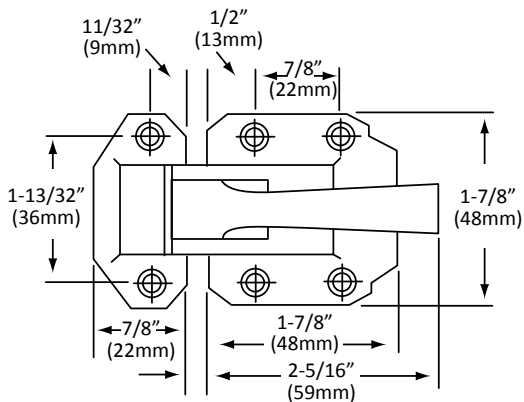
- PROVIDED WITH FLUSH, 1/8" (3mm) and 3/8" (10mm) KEEPERS
- CHROME PLATED DIE CAST ZAMAK



#### STANDARD DUTY

- MOUNTING HOLES Ø.150 THRU WITH Ø.279 X 82° CSK
- TOTAL 6 MOUNTING HOLES
- MOUNTING HOLES TO SUIT #6 FLAT HEAD SCREW

**MODEL NO. M15-9210**



#### HEAVY DUTY

- MOUNTING HOLES Ø.177 THRU WITH Ø.332 X 82° CSK
- TOTAL 6 MOUNTING HOLES
- MOUNTING HOLES TO SUIT #8 FLAT HEAD SCREW

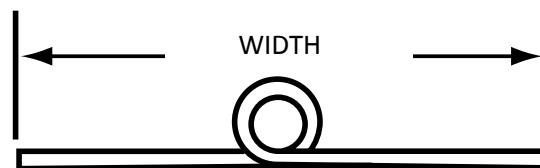
**MODEL NO. M15-9211**

REF. B

### CONTINUOUS HINGE STAINLESS STEEL WITH STAINLESS STEEL PIN

MODEL NO.	WIDTH	LENGTH	GAUGE	PIN DIA.
M48-0112	3/4" (19mm)	72" (1829mm)	.035 (0.9mm)	.086 (2.2mm)
M48-0121	1-1/16" (27mm)	72" (1829mm)	.035 (0.9mm)	.086 (2.2mm)
M48-0122	1-1/16" (27mm)	72" (1829mm)	.040 (1.0mm)	.086 (2mm)
M48-0131	1-1/2" (38mm)	72" (1829mm)	.035 (0.9mm)	.090 (2.3mm)
M48-0132	1-1/2" (38mm)	72" (1829mm)	.040 (1.0mm)	.090 (2.3mm)
M48-0142	2" (51mm)	72" (1829mm)	.040 (1.0mm)	.120 (3mm)
M48-0143	2" (51mm)	72" (1829mm)	.050 (1.3mm)	.120 (3mm)
M48-0144	2" (51mm)	72" (1829mm)	.060 (1.5mm)	.120 (3mm)
M48-0154	2-1/2" (64mm)	72" (1829mm)	.060 (1.6mm)	.187 (4.8mm)
M48-0134	1-1/2" (38mm)	72" (1829mm)	.060 (1.6mm)	.125 (3.2mm)

NOTE: HINGE FURNISHED WITHOUT HOLES. OTHER SIZES AVAILABLE UPON REQUEST.

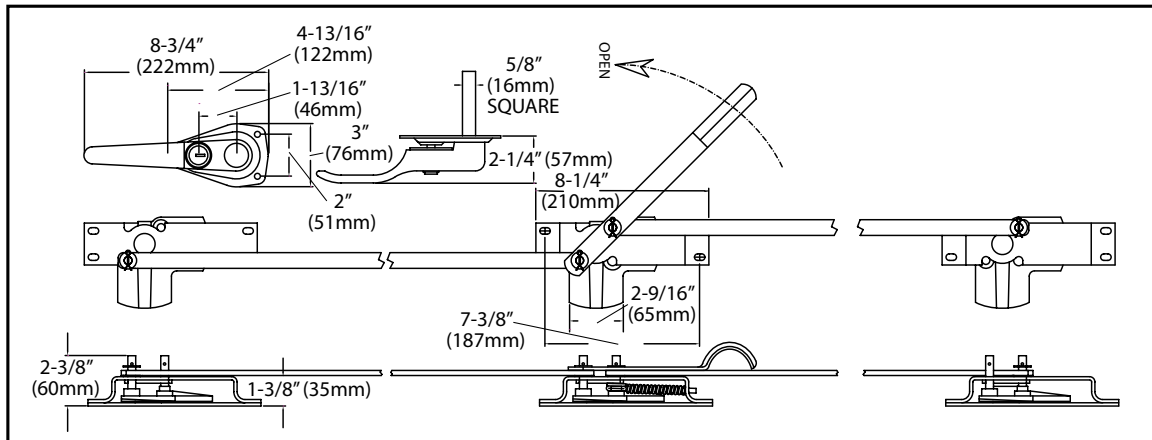


G

## THREE POINT LATCH STAINLESS STEEL

- ALL STAINLESS STEEL CONSTRUCTION • POSITIVE DEAD BOLT LOCKING
- HOLDS DOOR CLOSED IN 3 PLACES-TOP, CENTER, & BOTTOM TO MINIMIZE LEAKAGE AND SAVE ENERGY
- STRONGEST LATCH MADE • SPRING LOADED OVER-CENTER LATCHING • POSITIVE INSIDE RELEASE MECHANISM

MODEL NO. W37-3000-SS



## LIFT-OFF HINGES



### LIFT-OFF FLAG HINGE

- SWEDGED KNUCKLE
- NON-HANDED
- STAINLESS STEEL and NYLON BEARING
- ELIMINATES MORTISING OF DOOR OR JAMB
- MINIMUM DOOR CLEARANCE REQUIRED

#### STANDARD DUTY

MODEL NO. M75-1002

2-1/16" (52mm) LG. x  
1-3/32" (28mm) x .075 (2mm)  
3/16" (5mm) PIN DIA.

#### HEAVY DUTY

MODEL NO. M75-5003

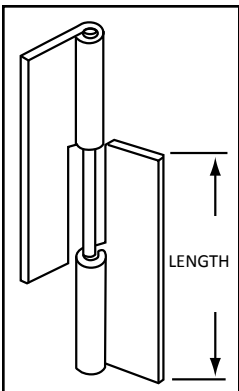
3" (76mm) LG. x  
1-3/8" (35mm) x .075 (2mm)  
1/4" (6mm) PIN DIA.



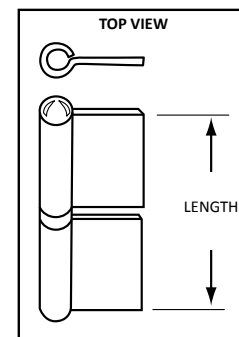
### LIFT-OFF FLAG HINGE, STAINLESS STEEL

MODEL NO.	LENGTH	OPEN	GAUGE	PIN DIA.	HAND
R74-8000-RH	2" (51mm)	1-3/4" (44mm)	.075 (2mm)	3/16" (5mm)	R.H.
R74-8001-LH	2" (51mm)	1-3/4" (44mm)	.075 (2mm)	3/16" (5mm)	L.H.
R74-8100-RH	3" (76mm)	2" (51mm)	.075 (2mm)	3/16" (5mm)	R.H.
R74-8101-LH	3" (76mm)	2" (51mm)	.075 (2mm)	3/16" (5mm)	L.H.
R74-9000-RH	2" (51mm)	1-1/4" (32mm)	.060 (1.6mm)	1/8" (3mm)	R.H.
R74-9001-LH	2" (51mm)	1-1/4" (32mm)	.060 (1.6mm)	1/8" (3mm)	L.H.

NOTES: ALL HINGES ARE FURNISHED WITHOUT HOLES



RIGHT HAND HINGE ILLUSTRATED



G

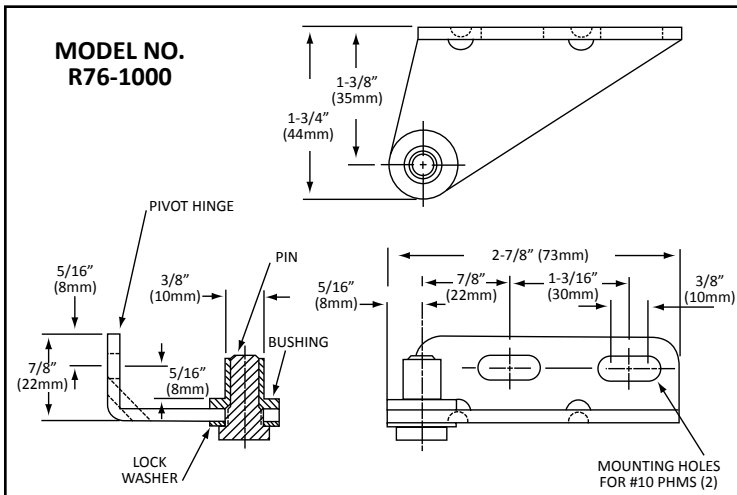


## HINGES

REF. A

### CONCEALED PIVOT HINGES STAINLESS STEEL

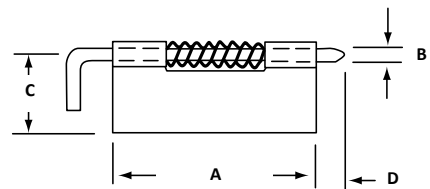
- OBLONG MOUNTING HOLES FOR EASY DOOR ADJUSTMENT
- SELF-LUBRICATING BRONZE PIVOT BUSHING
- REMOVABLE PIVOT PIN ALLOWS DOOR TO BE REMOVED WITHOUT DISASSEMBLING ENTIRE BRACKET
- SUPPLIED AS A SET...REVERSIBLE FOR LEFT OR RIGHT-HANDED DOORS



REF. B

### RIGHT HAND LATCH HINGES STAINLESS STEEL

LEFT HAND MODELS AVAILABLE ON APPLICATION TO ORDER, ADD SUFFIX -LH



MODEL NO.	A	B	C	D	GAUGE
<b>M12-9293</b>	1-3/8" (35mm)	5/32" (4mm)	3/4" (19mm)	1/4" (6mm)	.040 (.1mm)
<b>M12-9294</b>	2" (51mm)	3/16" (5mm)	7/8" (22mm)	3/8" (10mm)	.050 (1mm)
<b>M12-9295</b>	2-3/4" (70mm)	1/4" (6mm)	1" (25mm)	1/2" (13mm)	.062 (2mm)

REF. C

### BUTT HINGES STAINLESS STEEL

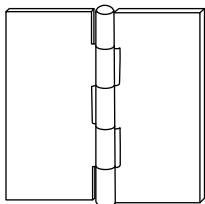
#### MODEL NO. M74-2078

2" (51mm) LG. x 2" (51mm) OPEN x 14 ga (2mm)  
.187 (5mm) PIN DIA.

#### MODEL NO. M74-3078

3" (76mm) LG. x 3" (76mm) OPEN x 14 ga (2mm)  
.187 (5mm) PIN DIA.

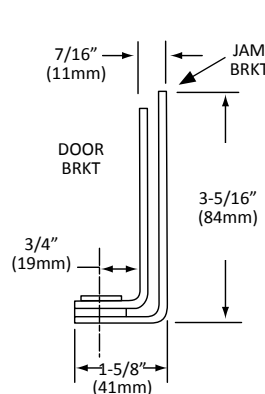
NOTE: HINGES ARE FURNISHED WITHOUT HOLES.



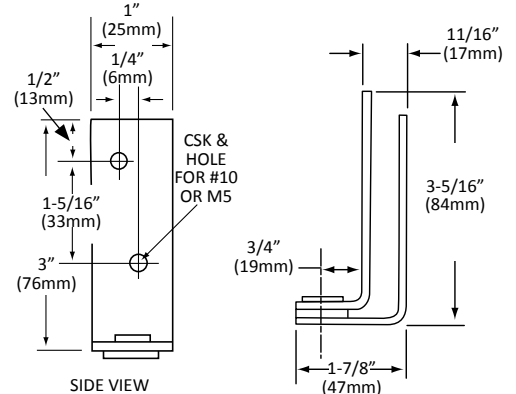
REF. D

### PIVOT HINGES NICKEL PLATED STEEL

#### SMALL OFFSET MODEL NO. R75-6661



#### LARGE OFFSET MODEL NO. R75-6662



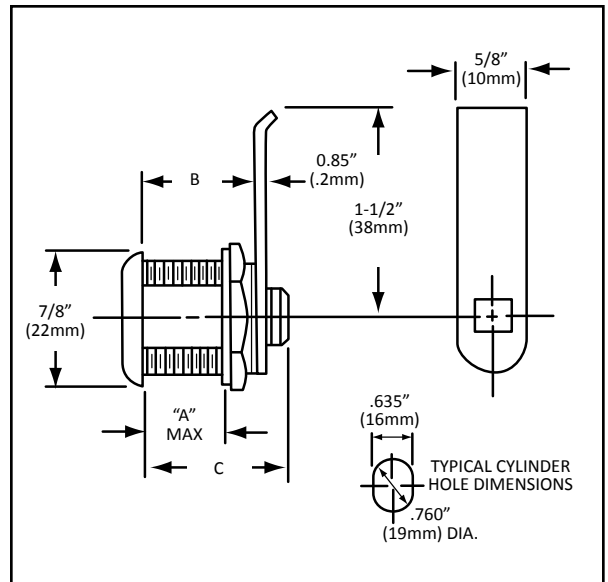


## LOCKS

### UTILITY LOCKS STAINLESS STEEL FACED

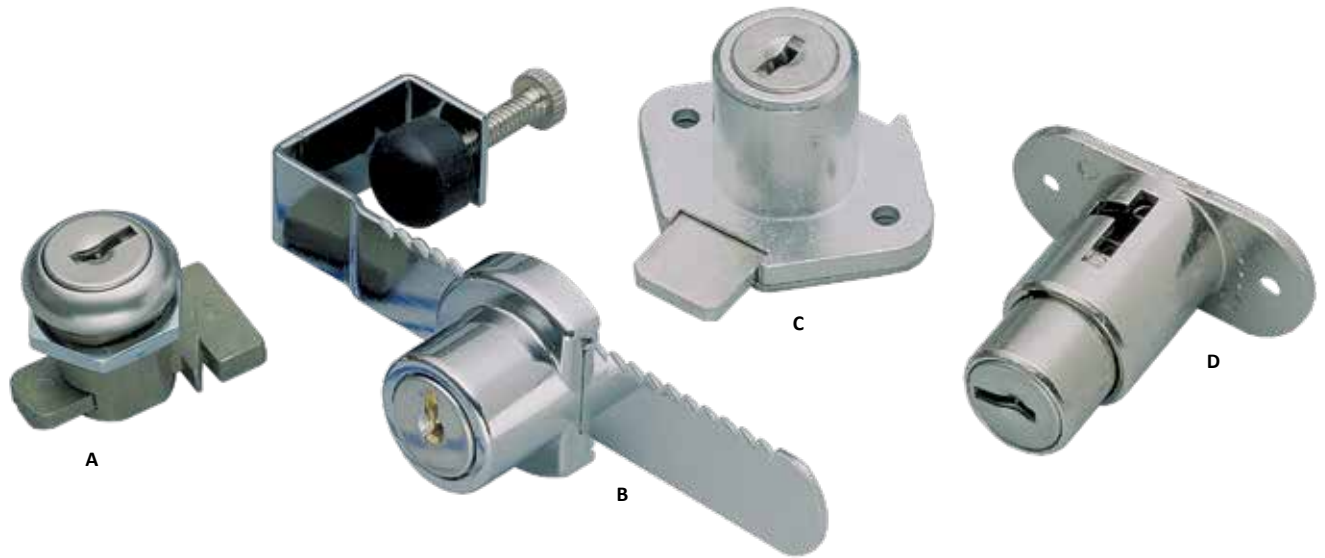
- DISC TUMBLER
- FOUR BARREL LENGTHS AVAILABLE
- PERMITS MATERIAL THICKNESS TO 1-3/16" (30mm)
- KEY REMOVABLE IN LOCKED OR UNLOCKED POSITION
- FURNISHED WITH TWO KEYS

MODEL NO.	A	B	C	KEYING
P30-4750	9/32" (7mm)	5/8" (16mm)	7/8" (22mm)	Alike
P30-4751	9/32" (7mm)	5/8" (16mm)	7/8" (22mm)	Different
P30-4752	9/32" (7mm)	5/8" (16mm)	7/8" (22mm)	Different & Master Keyed
P30-4760	11/16" (17mm)	7/8" (22mm)	1-1/8" (28mm)	ALIKE
P30-4761	11/16" (17mm)	7/8" (22mm)	1-1/8" (28mm)	Different
P30-4762	11/16" (17mm)	7/8" (22mm)	1-1/8" (28mm)	Different & Master Keyed
P30-4770	15/16" (24mm)	1-1/8" (28mm)	1-3/8" (35mm)	Alike
P30-4771	15/16" (24mm)	1-1/8" (28mm)	1-3/8" (35mm)	Different
P30-4772	15/16" (24mm)	1-1/8" (28mm)	1-3/8" (35mm)	Different & Master Keyed
P30-4780	1-1/8" (28mm)	1-3/8" (35mm)	1-5/8" (41mm)	Alike



TO ORDER ADDITIONAL KEYS (KEYED-ALIKE-TYPE 802) USE **MODEL NO. P30-0802**  
TO ORDER MASTER KEYS USE **MODEL NO. P30-1000**

NOTE: CAMS OPERATE IN 180° SEMI-CIRCLE. 90° OPERATING CAMS AVAILABLE UPON APPLICATION (ALSO AVAILABLE AS KEYED ALIKE IN SERIES). SPUR WASHERS FOR WOOD DRAWERS AVAILABLE ON SPECIAL ORDER.



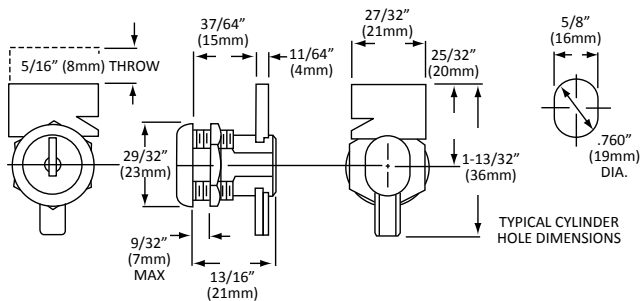
## LOCKS

REF. A

### T-BOLT LOCK STAINLESS STEEL FACED

- FIVE DISC TUMBLER
- FOR HOLLOW METAL DRAWERS AND FOAMED IN PLACE DOORS
- HEAVY-DUTY VERTICAL DEAD BOLT REMOVABLE FOR INSTALLATION
- FURNISHED WITH TWO BRASS KEYS

MODEL NO. P11-0480

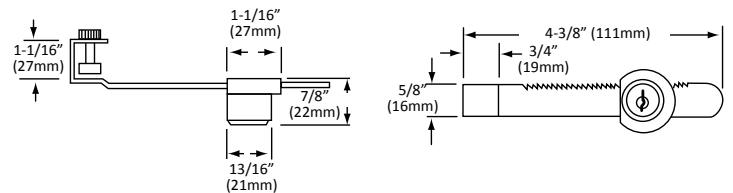


REF. B

### SLIDING DOOR LOCK ADJUSTABLE

- POLISHED CHROME FINISH • TAMPERPROOF
- FOR GLASS DOORS UP TO 1 1/16" (17mm) THICK
- WOOD, WOOD FRAMED, OR METAL DOORS UP TO 1" (25mm) THICK
- RATCHET BAR IS TIGHTENED IN POSITION WITH THUMBSCREW

MODEL NO. P22-0006

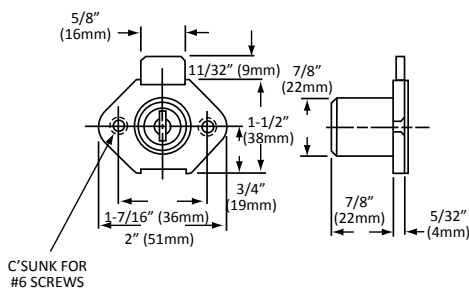


REF. C

### DRAWER LOCK

- EASY TO INSTALL
- FIVE DISC TUMBLER
- NON FERROUS SATIN BRASS BARREL AND CASE
- FURNISHED WITH TWO BRASS KEYS

MODEL NO. P10-0370

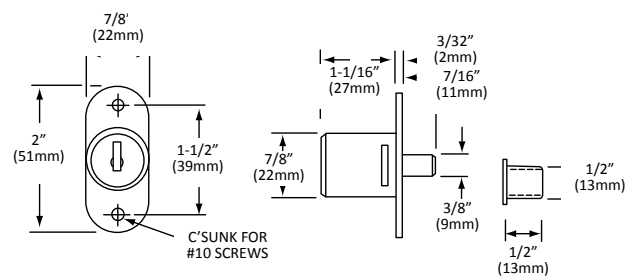


REF. D

### PLUNGER LOCK

- NICKEL PLATED • FIVE DISC TUMBLER
- FOR BYPASSING DOORS APPROX. 3/4" (19mm) THICK AND OVER
- SUPPLIED WITH EASY TO INSTALL "PUSH-IN" BOLT RECEIVER
- LOCKING CYLINDER CANNOT BE REMOVED FROM HOUSING WITHOUT KEY

MODEL NO. P20-0490



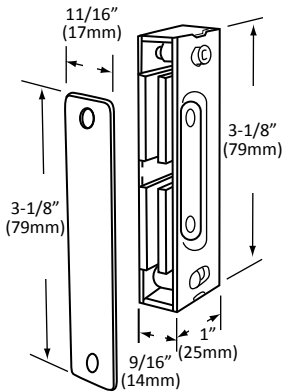




## MAGNETIC CATCHES

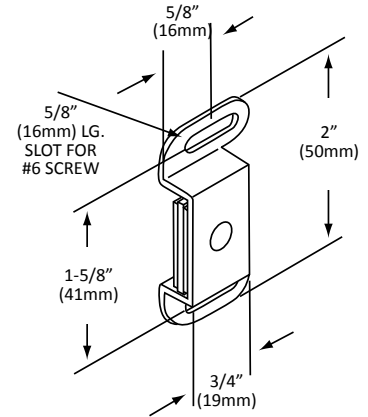
**REF. A**  
**CABINET CATCH**  
**MAGNETIC**  
**HEAVY DUTY**  
**DOUBLE MAGNET**  
**MODEL NO. M32-2401**

MATERIAL: ALUMINUM  
 WITH CONCEALED MAGNETS  
 30 lbs (13.6 kg) PULL

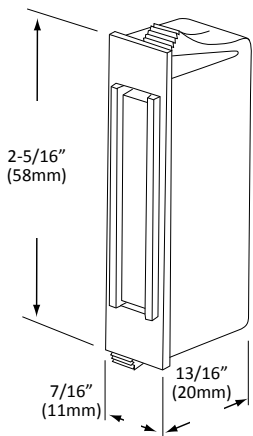


**REF. B**  
**CABINET CATCH**  
**MAGNETIC**  
**SINGLE MAGNET**  
**MODEL NO. M30-2400**  
 SIZE: 2" x 1-1/16" X 1/2"  
 (51mm x 27mm x 13mm)  
 12 lbs (5 kg) PULL

**DOUBLE MAGNET**  
**MODEL NO. M30-5920**  
 SIZE: 2" x 1-1/16" x 3/4"  
 (51mm x 27mm x 19mm)  
 20 lbs (9 kg) PULL



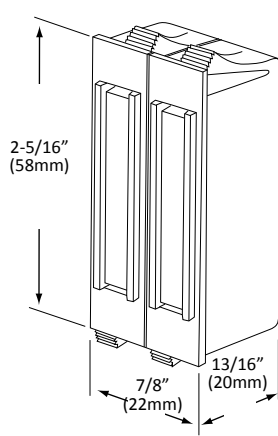
**REF. C**  
**CABINET CATCH**  
**MAGNETIC, SNAP-IN TYPE**



**MODEL NO. M36-0201**

MATERIAL: BLACK POLYPROPYLENE  
 WITH CONCEALED MAGNETS  
 12 lbs (5kg) PULL  
 CUT OUT DIMENSIONS  
 2.25" x 0.38"

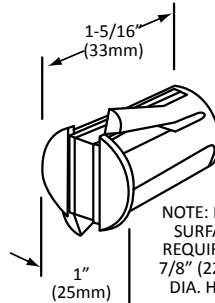
**REF. D**  
**CABINET CATCH**  
**MAGNETIC, SNAP-IN TYPE**



**MODEL NO. M36-0801**

MATERIAL: BLACK POLYPROPYLENE  
 WITH CONCEALED MAGNETS  
 30 lbs (13kg) PULL  
 CUT OUT DIMENSIONS  
 2.25" x 0.828"

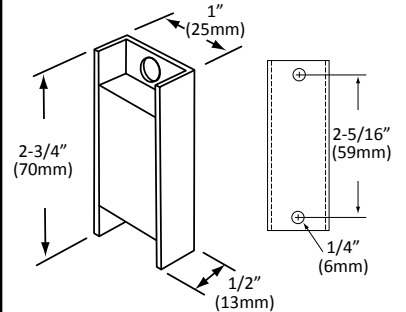
**REF. E**  
**CABINET CATCH**  
**MAGNETIC, SNAP-IN TYPE**



**MODEL NO. M36-0611**

MATERIAL: BLACK POLYPROPYLENE  
 WITH CONCEALED MAGNETS  
 13 lbs (6kg) PULL

**REF. F**  
**CABINET CATCH**  
**MAGNETIC, CONCEALED TYPE**



**SINGLE CATCH MAGNET**  
**MODEL NO. M35-1000**

14 lbs (6kg) PULL  
 (STEEL BACKING PLATE REQUIRED)

**FURNISHED AS SET OF TWO**  
**WITH ATTRACTING POLARITY**  
**FOR A STRONGER PULL**  
**MODEL NO. M35-2000**

MATERIAL: ZINC PLATED STEEL WITH  
 CONCEALED MAGNETS  
 • 18 lbs (8kg) PULL

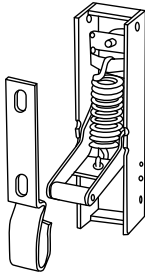




## MECHANICAL CATCHES

REF. A

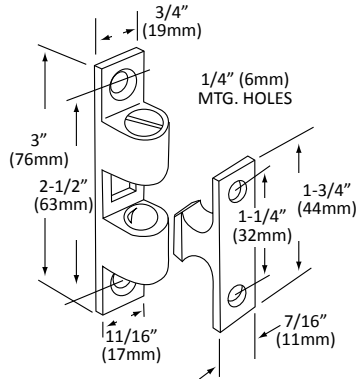
### DOOR CATCH HEAVY-DUTY ADJUSTABLE TENSION



**MODEL NO. M27-2490**  
8 lbs (3.6kg) PULL  
SIZE: 1" X 4" (25mm x 102mm)  
MATERIAL: STEEL, NICKEL PLATED

REF. B

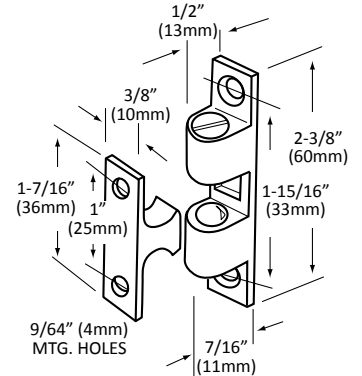
### DOOR CATCH HEAVY DUTY, 4 WAY\* WITH ADJUSTABLE SPRING LOADED BALL TENSION



**MODEL NO. M22-2430**  
MATERIAL: SOLID BRASS  
WITH SATIN NICKEL FINISH  
AND STAINLESS STEEL BALLS  
\*CATCH MAY BE USED FOR MORTISE  
OR SURFACE MOUNT APPLICATION

REF. C

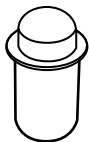
### DOOR CATCH STANDARD DUTY WITH ADJUSTABLE SPRING LOADED BALL TENSION



**MODEL NO. M22-2420**  
MATERIAL: SOLID BRASS  
WITH SATIN NICKEL FINISH  
STAINLESS STEEL BALLS  
AND SPRINGS

REF. D

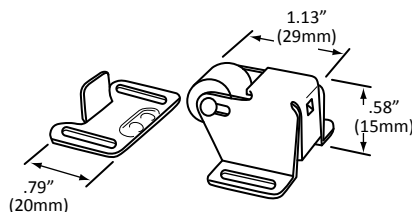
### BULLET CATCHES WITH FIXED TENSION



**MODEL NO. M25-9469**  
SIZE: 3/8" X 7/16" (10mm x 11mm)  
DIA. x LENGTH  
MATERIAL: STEEL, NICKEL PLATED  
FURNISHED WITH STRIKE

REF. E

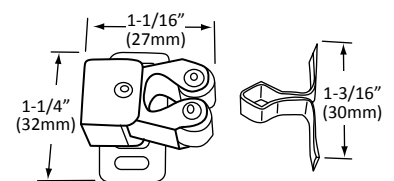
### SURFACE BOX CATCH WITH SPRING LOADED NYLON ROLLER



**MODEL NO. M24-2260**  
MATERIAL: ZINC PLATED STEEL

REF. F

### CABINET CATCH FRICTION TYPE WITH SPRING ACTION NYLON ROLLERS



**MODEL NO. M21-2580**  
MATERIAL: ZINC PLATED STEEL

G



Fully welded end plates with rubber bumper stops

## DRAWER SLIDES, EXTRA HEAVY -DUTY

### S52 SERIES

- NSF LISTED
- STAINLESS STEEL FULL EXTENSION
- 200 lbs (100 kg) LOAD CAPACITY
- SLIDES AND ROLLERS EASILY REMOVED
- INCLUDES 8 BALL BEARING ASSEMBLIES
- RETAINER PLATES...KEEPS SLIDES IN POSITION EVEN WHEN DRAWERS ARE REMOVED
- FULLY WELDED STOPS

### SPECIFICATIONS

<b>MOUNTING SPACE REQUIRED</b>	SIDE 25/32" (20mm)
<b>HEIGHT</b>	2-7/16" (62mm)
<b>DRAWER EXTENSION</b>	FULL TRAVEL
<b>LOAD CAPACITY</b>	200 lbs (100kg) PER PAIR WITH STAINLESS STEEL BEARINGS 150 lbs (68kg) PER PAIR WITH DELRIN BEARINGS
<b>MATERIAL</b>	14 ga (2mm) STAINLESS STEEL
<b>ACTION</b>	SOLID DELRIN OR STAINLESS STEEL BALL BEARING WHEELS WITH REMOVABLE STAINLESS STEEL SCREWS

NOTE: LOAD RATING BASED ON 20"(500mm) SLIDE LENGTH  
PACKAGED 6 PAIR PER CARTON

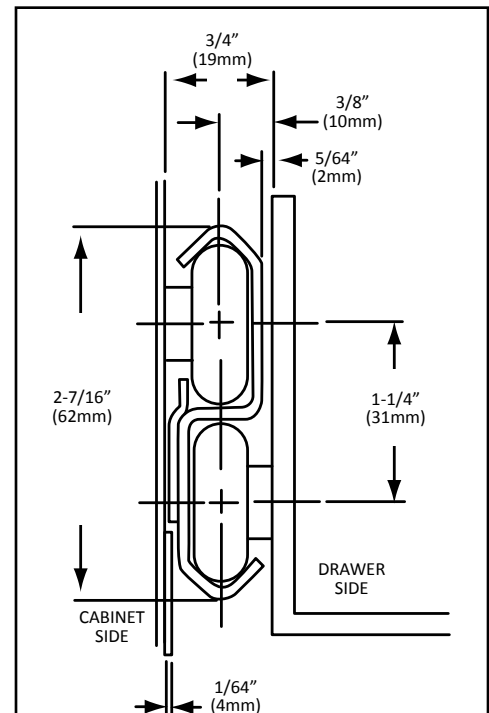
#### S52 SERIES STAINLESS STEEL FULL EXTENSION DRAWER SLIDES WITH STAINLESS STEEL BEARINGS

MODEL NO.	SIZE
S52-0020	20" (508mm)
S52-0022	22" (559mm)
S52-0024	24" (610mm)
S52-0026	26" (660mm)

#### S52 SERIES STAINLESS STEEL FULL EXTENSION DRAWER SLIDES WITH DELRIN BEARINGS

MODEL NO.	SIZE
S52-2020	20" (508mm)
S52-2022	22" (559mm)
S52-2024	24" (610mm)
S52-2026	26" (660mm)

NOTE: BOTH MODELS ARE FURNISHED WITH REMOVABLE STAINLESS STEEL THREADED FASTENERS



### CROSS SECTION

WHEN ORDERING...MEASURE FROM INSIDE FACE TO EXTREME REAR OF DRAWER

NOTE: STAINLESS STEEL BALL BEARING ASSEMBLIES W/REMOVABLE STAINLESS STEEL THREADED FASTENERS (MODEL NO. S52-X001) AND DELRIN BEARING COMPLETE W/REMOVABLE STAINLESS STEEL THREADED FASTENERS (MODEL NO. S52-X101) MAY BE ORDERED SEPARATELY. SEE PAGE G197

G



## S26 STAINLESS STEEL SERIES

- NSF LISTED
- STAINLESS STEEL
- FULL EXTENSION
- 100 lbs (50kg) LOAD CAPACITY
- EASY INSTALLATION
- SLIDES & ROLLERS EASILY REMOVED FOR CLEANING
- INCLUDES (8) S/S BALL BEARING ASSEMBLIES
- RETAINER PLATES...KEEPS SLIDES IN POSITION EVEN WHEN DRAWERS ARE REMOVED
- POSITIVE STOPS

### SPECIFICATIONS

<b>MOUNTING</b>	SIDE
<b>SPACE REQUIRED</b>	5/8" (15mm)
<b>HEIGHT</b>	1-27/32" (21mm)
<b>DRAWER EXTENSION</b>	FULL TRAVEL
<b>LOAD CAPACITY</b>	100 lbs (45kg) PER PAIR
<b>ACTION</b>	STAINLESS STEEL BALL BEARING WHEELS WITH REMOVABLE STAINLESS STEEL SCREWS

NOTE: LOAD RATING BASED ON 20" (508mm) SLIDE LENGTH  
PACKAGED 10 PAIR PER CARTON

## S10 ECONOMICAL SERIES

- NSF LISTED
- ECONOMICAL ZINC PLATED STEEL
- FULL EXTENSION
- 100 lbs (50kg) LOAD CAPACITY
- EASY INSTALLATION
- SLIDES & ROLLERS EASILY REMOVED FOR CLEANING
- INCLUDES (8) BALL BEARING ASSEMBLIES
- RETAINER PLATES...KEEPS SLIDES IN POSITION EVEN WHEN DRAWERS ARE REMOVED
- POSITIVE STOPS

### SPECIFICATIONS

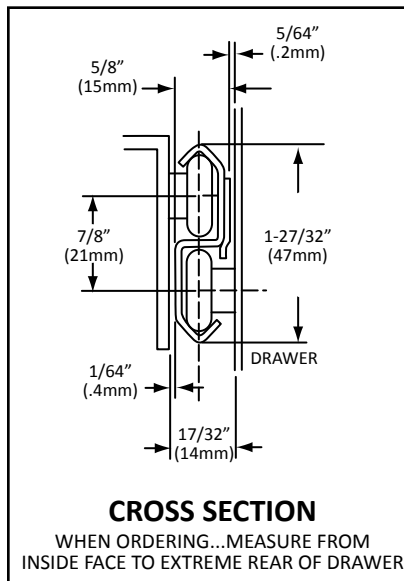
<b>MOUNTING</b>	SIDE
<b>SPACE REQUIRED</b>	5/8" (15mm)
<b>HEIGHT</b>	1-27/32" (21mm)
<b>DRAWER EXTENSION</b>	FULL TRAVEL
<b>LOAD CAPACITY</b>	100 lbs (45kg) PER PAIR
<b>MATERIAL</b>	COLD ROLLED ZINC PLATED STEEL
<b>ACTION</b>	ZINC PLATED STEEL BALL BEARING WHEELS WITH REMOVABLE ZINC PLATED STEEL SCREWS

NOTE: LOAD RATING BASED ON 20" (508mm) SLIDE LENGTH  
PACKAGED 10 PAIR PER CARTON

### S26 SERIES STAINLESS STEEL FULL EXTENSION DRAWER SLIDES WITH STAINLESS STEEL BEARINGS

MODEL NO.	SIZE
S26-0014	14" (356mm)
S26-0016	16" (406mm)
S26-0018	18" (457mm)
S26-0020	20" (508mm)
S26-0022	22" (559mm)
S26-0026	26" (660mm)

NOTE: STAINLESS STEEL BALL BEARING ASSEMBLIES WITH REMOVABLE STAINLESS STEEL THREADED FASTENERS MAY BE ORDERED SEPARATELY.  
SEE PG. G197 (MODEL NO. S26-Y001)



### S10 SERIES ZINC PLATED FULL EXTENSION DRAWER SLIDES WITH ZINC PLATED BEARINGS

MODEL NO.	SIZE
S10-0014	14" (356mm)
S10-0018	18" (457mm)
S10-0020	20" (508mm)
S10-0022	22" (559mm)
S10-0024	24" (610mm)
S10-0026	26" (660mm)

NOTE: ZINC PLATED STEEL BALL BEARING ASSEMBLIES WITH REMOVABLE ZINC PLATED STEEL THREADED FASTENERS MAY BE ORDERED SEPARATELY.  
SEE PG. G197 (MODEL NO. S10-Y001)

G



## S25 STAINLESS STEEL DRAWER SLIDES

### S25 SERIES

- NSF LISTED
- STAINLESS STEEL
- BALL BEARING ACTION
- 150 lbs (68kg) LOAD CAPACITY
- POSITIVE STOPS
- FINGER TIP LEVER DRAWER RELEASE

#### SPECIFICATIONS

<b>MOUNTING</b>	SIDE
<b>SPACE REQUIRED</b>	9/16" (14mm)
<b>HEIGHT</b>	3" (76mm)
<b>DRAWER EXTENSION</b>	LENGTH OF SLIDE MINUS 4-1/4" (107mm)
<b>LOAD CAPACITY</b>	150 lbs (68kg) PER PAIR**
<b>ACTION</b>	STAINLESS STEEL BALL BEARING WHEELS WITH REMOVABLE STAINLESS STEEL SCREWS

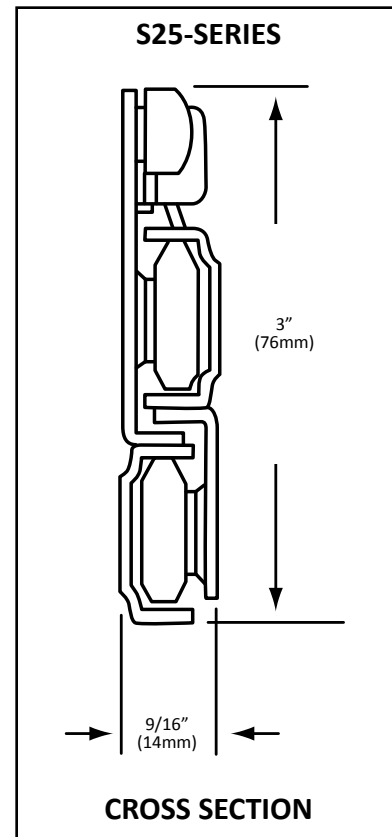
PACKAGED 10 PAIR PER CARTON

#### \*S25 SERIES STAINLESS STEEL DRAWER SLIDES WITH STAINLESS STEEL BEARINGS

MODEL NO.	SIZE
S25-0014	14" (356mm)
S25-0016	16" (406mm)
S25-0018	18" (457mm)
S25-0020	20" (508mm)
S25-0022	22" (559mm)
S25-0024	24" (610mm)
S25-0026	26" (660mm)
S25-0028	28" (711mm)

#### \*S25 SERIES STAINLESS STEEL DRAWER SLIDES WITH S/S BEARINGS W/ NYLON TIRE

MODEL NO.	SIZE
S25-2014	14" (356mm)
S25-2016	16" (406mm)
S25-2020	20" (508mm)
S25-2022	22" (559mm)
S25-2028	28" (711mm)



\*EQUIVALENT TO STANDARD-KEIL SERIES 1425

\*\*LOAD RATING BASED ON 18" (457mm) SLIDE LENGTH

NOTE: WHEN ORDERING, MEASURE FROM INSIDE FACE TO EXTREME REAR OF DRAWER

G



## DRAWER SLIDES, 1/2" (13mm) CLEARANCE

### S15 SERIES

- ZINC PLATED STEEL
- 75 lbs (40kg) LOAD CAPACITY
- ALLOWS DRAWER TO BE EASILY REMOVED



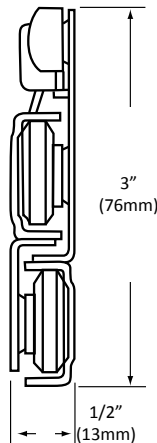
#### SPECIFICATIONS

<b>MOUNTING</b>	SIDE
<b>SPACE REQUIRED</b>	1/2" (13mm)
<b>HEIGHT</b>	3" (76mm)
<b>DRAWER EXTENSION</b>	LENGTH OF SLIDE MINUS 4-1/4" (107mm)
<b>LOAD CAPACITY</b>	75 lbs (40kg) PER PAIR
<b>MATERIAL</b>	COLD ROLLED STEEL, ZINC PLATED, CLEAR CHROMATE
<b>ACTION</b>	NYLON BALL BEARING ROLLERS
<b>ADDITIONAL</b>	POSITIVE STOPS, FINGER TIP RELEASE, REMOVABLE

NOTE: LOAD RATING BASED ON 18" (457mm) SLIDE LENGTH  
PACKAGED 10 PAIR PER CARTON

#### S15 SERIES STEEL ZINC PLATED DRAWER SLIDES

MODEL NO.	SIZE
S15-1016	16" (406mm)
S15-1020	20" (508mm)
S15-1022	22" (559mm)



NOTE: WHEN ORDERING, MEASURE FROM INSIDE FACE TO EXTREME REAR OF DRAWER.

### S35 SERIES

- ZINC PLATED STEEL • FULL EXTENSION
- 100 lbs (50kg) LOAD CAPACITY • NO DEFLECTION
- ALLOWS DRAWER TO BE EASILY REMOVED

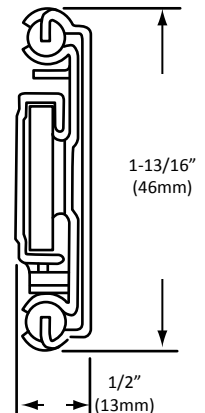
#### SPECIFICATIONS

<b>MOUNTING</b>	SIDE
<b>SPACE REQUIRED</b>	1/2" (13mm)
<b>HEIGHT</b>	2-3/8" (60mm)
<b>DRAWER EXTENSION</b>	FULL TRAVEL
<b>LOAD CAPACITY</b>	100 lbs (50kg) PER PAIR
<b>MATERIAL</b>	COLD ROLLED STEEL, ZINC PLATED, CLEAR CHROMATE
<b>ACTION</b>	FRONT INTERMEDIATE WHEEL: NYLON ROLLER OUTER CHANNEL ASSEMBLY: STEEL BALL BEARING
<b>ADDITIONAL</b>	POSITIVE MECHANICAL STOP, FULL EXTENSION WITH VIRTUALLY NO DEFLECTION, REMOVABLE

NOTE: LOAD RATING BASED ON 18" (457mm) SLIDE LENGTH  
PACKAGED 10 PAIR PER CARTON

#### S35 SERIES ZINC PLATED STEEL FULL EXTENSION DRAWER SLIDES

MODEL NO.	SIZE
S35-1016	16" (406mm)
S35-1018	18" (457mm)
S35-1020	20" (508mm)
S35-1022	22" (559mm)
S35-1024	24" (610mm)
S35-1026	26" (660mm)



NOTE: WHEN ORDERING, MEASURE FROM INSIDE FACE TO EXTREME REAR OF DRAWER.

G





## DRAWER SLIDES, 3/4" (19mm) CLEARANCE

### S30 SERIES

- ZINC PLATED STEEL
- FULL EXTENSION
- 75 lbs (40kg) LOAD CAPACITY
- ALLOWS DRAWER TO BE EASILY REMOVED

### SPECIFICATIONS

<b>MOUNTING</b>	SIDE
<b>SPACE REQUIRED</b>	3/4" (19mm)
<b>HEIGHT</b>	2-1/32" (52mm) WITH ROLLERS 1-1/4" (32mm) WITHOUT ROLLERS
<b>DRAWER EXTENSION</b>	FULL TRAVEL, CONTROLLED BY ROLLER REPLACEMENT
<b>LOAD CAPACITY</b>	75 lbs (40kg) PER PAIR
<b>MATERIAL</b>	ZINC PLATED STEEL
<b>ACTION</b>	NYLON OR NON-CORROSIVE METAL ROLLERS
<b>ADDITIONAL FEATURES</b>	NON-HANDED, REMOVABLE (WITH ROLLERS), RUBBER STOPS

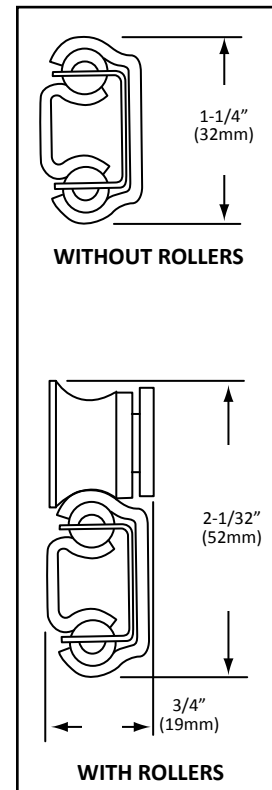
NOTE: LOAD RATING BASED ON 18" (450mm) SLIDE LENGTH  
PACKAGED 10 PAIR PER CARTON

### S30 SERIES ZINC PLATED STEEL FULL EXTENSION DRAWER SLIDES

SIZE	MODEL NO. WITH NYLON ROLLERS	MODEL NO. WITH METAL ROLLERS	MODEL NO. WITHOUT ROLLERS
18" (457mm)	S30-1018	S30-3018	S30-2018
20" (508mm)	S30-1020	S30-3020	S30-2020
22" (559mm)	S30-1022	S30-3022	S30-2022
24" (610mm)	S30-1024	S30-3024	S30-2024

### ACCESSORIES:

S30-Y001	NYLON ROLLER (EA)
S30-Y002	Metal Roller (ea) (4 rollers required per pair)







## DRAWER PANS



### DRAWER PANS STAINLESS STEEL

- STAINLESS STEEL WITH POLISHED FINISH
- COVED CORNERS • TWO SIZES AVAILABLE
- FOR USE IN FOOD SERVICE TABLES AND FOOD WARMERS
- IDEAL FOR UTENSILS AND FROZEN FOOD STORAGE
- MEETS NSF CRITERIA

#### STAINLESS STEEL DRAWER PANS

MODEL NO.	NOMINAL DIMENSIONS	FLANGE SIZE
<b>S81-1520-C</b>	15" x 20" x 5" (381mm x 508mm x 127mm)	16 x 21-1/2" (406mm x 546mm)
<b>S81-2020-C</b>	20" x 20" x 5" (508mm x 508mm x 127mm)	21-1/2" x 21-1/2" (546mm x 546mm)

PACKAGED 6 TO A MASTER CARTON  
NOTE: OTHER DEPTHS AVAILABLE UPON APPLICATION.

G

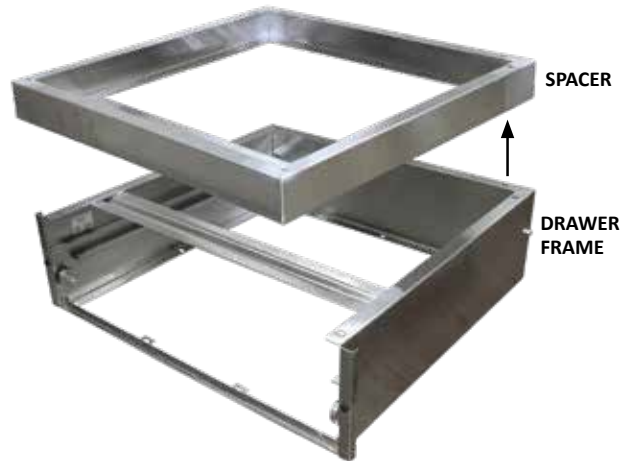
### DRAWER PANS HEAVY-DUTY THERMOPLASTIC

#### HEAVY-DUTY THERMOPLASTIC DRAWER PANS

MODEL NO.	NOMINAL DIMENSIONS	FLANGE SIZE
<b>S80-1520</b>	15" x 20" x 5" (381mm x 508mm x 127mm)	16-1/4" x 21-3/4" (415mm x 550mm)
<b>S80-2020</b>	20" x 20" x 5" (508mm x 508mm x 127mm)	21-3/4" x 21-3/4" (550mm x 550mm)

PACKAGED 6 TO A MASTER CARTON

# Stainless Steel Drawer Assembly



## HEAVY DUTY S90 SERIES STAINLESS STEEL DRAWER ASSEMBLIES

- STAINLESS STEEL, WELDED CONSTRUCTION THROUGHOUT
- S90 HEAVY DUTY 19 GA. OUTER DRAWER HOUSING WITH 17 GA. INTERNAL FRAME ASSEMBLY AND FRONT PANEL
- SE90 MEDIUM DUTY 20 GA. OUTER DRAWER HOUSING WITH 19 GA. INTERNAL FRAME ASSEMBLY AND FRONT PANEL
- UNIQUE UNI-BODY CONSTRUCTION ALLOWS UNITS TO BE STACKED
- CONVENIENT, PRECISE MOUNTING HOLES OFFER QUICK, EASY INSTALLATION
- 200 lb CAPACITY
- SELF-CLOSING DRAWER FEATURE
- ENTIRE DRAWER ASSEMBLY DEBURRED AND READY TO INSTALL
- COMPLETE WITH HEAVY GAUGE REMOVABLE STAINLESS STEEL OR PLASTIC PAN
- FULL EXTENSION- 90° PULL ALLOWS CONVENIENT ACCESS AND IS EASY TO KEEP CLEAN
- AVAILABLE WITH OR WITHOUT CYLINDER LOCK ASSEMBLY
- SPECIFICATION GRADE, MEETS MOST ARCHITECTURAL REQUIREMENTS

### 15" S/S DRAWER ASSEMBLY

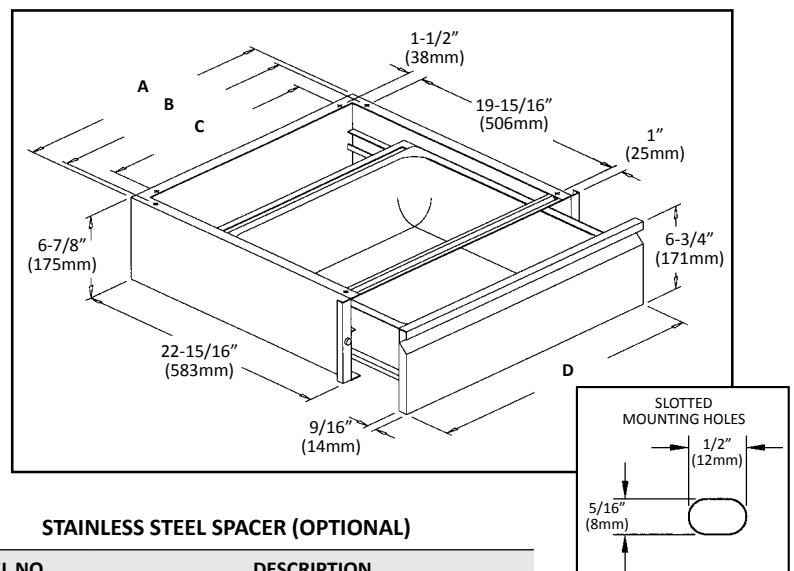
MODEL NO.	DESCRIPTION	LOCK	PAN
*S90-0015-N	15" (381mm) Pan	-	S/S
*SE90-0015-N			
*S90-0015-C-N	15" (381mm) Pan	Cylinder	S/S
*SE90-0015-C-N			

MODEL NO.		A	B	C	D
S90-0015	DIM. FOR	17-3/4"	16-1/2"	13-5/8"	19-5/16"
SE90-0015	15" ASS'Y	(451mm)	(419mm)	(346mm)	(497mm)
S90-0020	DIM. FOR	23-3/8"	22-1/8"	19-1/4"	25-1/16"
SE90-0020	20" ASS'Y	(594mm)	(562mm)	(489mm)	(636mm)

### 20" S/S DRAWER ASSEMBLY

MODEL NO.	DESCRIPTION	LOCK	PAN
*S90-0020-N	20" (508mm) PAN	-	S/S
*SE90-0020-N			
*S90-0020-C-N	20" (508mm) PAN	Cylinder	S/S
*SE90-0020-C-N			

\*NSF LISTING APPLIES TO DRAWER ASSEMBLIES UTILIZING STAINLESS STEEL PANS ONLY.



### STAINLESS STEEL SPACER (OPTIONAL)

MODEL NO.	DESCRIPTION
S90-X032	20" x 20" x 2-1/2" (508mm x 508mm x 64mm)
S90-X033	15" x 20" x 2-1/2" (381mm x 508mm x 64mm)

\*USED TO DROP THE DRAWER BELOW NORMAL 2" RETURN ON TABLE TOP OR AS A MULLION BETWEEN DRAWERS



A



B

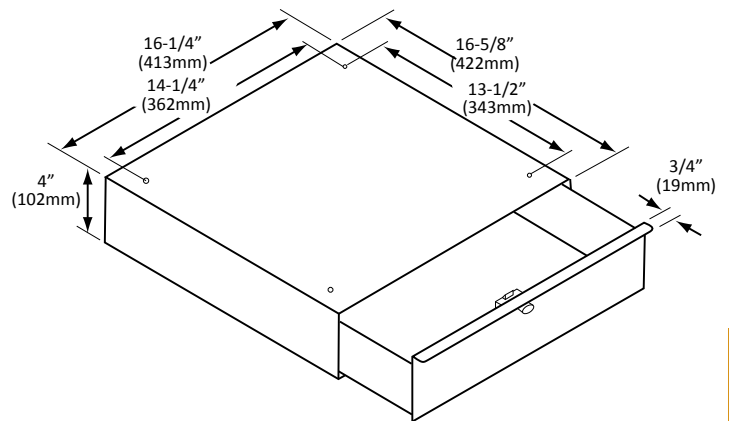
## STAINLESS STEEL CASH DRAWER ASSEMBLY

REF. A

### CASH DRAWER ASSEMBLY WITH TRAY

MODEL NO. S95-1000

- STAINLESS STEEL SPECIFICATION GRADE CASH DRAWER ASSEMBLY
  - SOLID STAINLESS STEEL CONSTRUCTION
- FULL EXTENSION DRAWER SLIDE OFFERS EASE OF OPERATION
- ALL DRAWERS FURNISHED WITH STAINLESS STEEL FACED CYLINDER LOCKS DESIGNED FOR EASY UNDERCOUNTER MOUNTING
  - SMOOTH AND QUIET OPERATION



G

REF. B

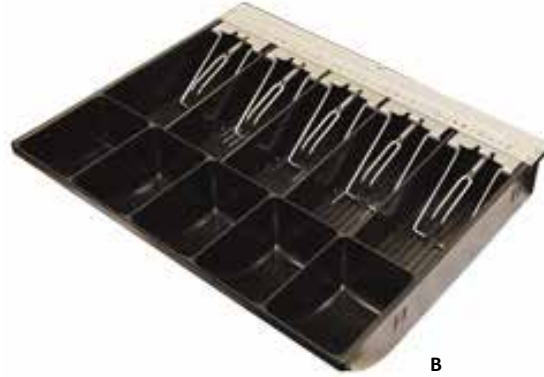
### CURRENCY TRAY WITH COVER

MODEL NO. S95-Y002

- REMOVABLE CURRENCY TRAY WITH DROP HANDLE FOR EASY REMOVAL • DESIGNED TO ACCOMMODATE PORTABLE CASH NEEDS • IDEAL FOR DRAWERS, SAFES AND DESKS
  - POSITIVE SPRING ACTION MONEY HOLD DOWN
  - LOCK WITH STAINLESS STEEL CYLINDER

### STAINLESS STEEL CASH DRAWER LESS CURRENCY TRAY

MODEL NO. S95-Y001



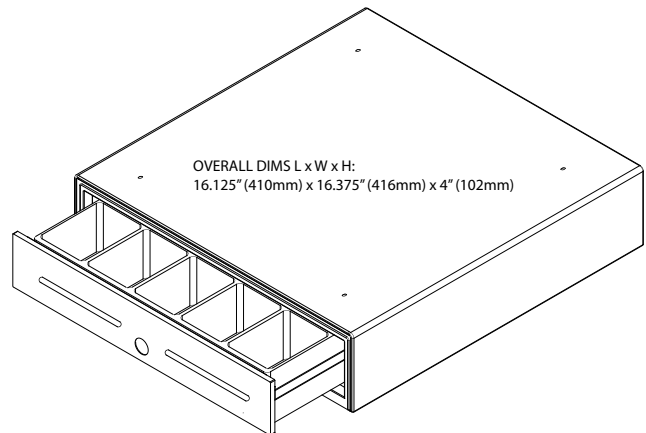
## BLACK POWDER COATED CASH DRAWER ASSEMBLY

REF. A

### CASH DRAWER ASSEMBLY WITH TRAY

MODEL NO. CD-1000

- BLACK POWDER COATED FINISH
- CENTER SECURITY DRAWER KEY-LOCK
- STANDARD ABS PLASTIC 5 COIN/5 BILL REMOVABLE MONEY TRAY INSERT • ADJUSTABLE BILL SEPARATOR FOR FOREIGN CURRENCY • STAINLESS STEEL MONEY CLIPS
- STAINLESS STEEL COIN BREAKING PLATE • SLOTS ON DRAWER FACE FOR CHECKS/RECEIPTS/COUPONS
- DRAWER BELL • NON-SKID 1/2" RUBBER FEET



REF. B

### REPLACEMENT CURRENCY TRAY

MODEL NO. CD-Y004

- STANDARD ABS PLASTIC 5 COIN/5 BILL REMOVABLE MONEY TRAY INSERT • ADJUSTABLE BILL SEPARATOR FOR FOREIGN CURRENCY • STAINLESS STEEL MONEY CLIPS

KEY FOR CASH DRAWER ASSEMBLIES -

**MODEL NO. S95-Y001-KEY**

KEY FOR CURRENCY TRAY ASSEMBLIES -

**MODEL NO. S95-Y002-KEY**

G



## BUMPERS & GROMMETS

### RECESSED BUMPERS

FIG.	MODEL NO.	A	B	C	D	E	F
1	Q20-2081	5/8" (16mm)	5/16" (8mm)	3/16" (5mm)	1/8" (3mm)	1/4" (6mm)	3/16" (5mm)
2	Q20-2095	15/16" (24mm)	3/8" (10mm)	1/8" (3mm)	3/16" (5mm)	3/8" (10mm)	5/32" (4mm)

### GROMMETS

FIG.	MODEL NO.	A	B	C	D	E
3	Q24-0220	9/16" (14mm)	1/4" (6mm)	1/4" (6mm)	1/16" (2mm)	3/8" (10mm)
3	Q24-0225	5/8" (16mm)	3/8" (10mm)	1/4" (6mm)	1/16" (2mm)	1/2" (13mm)
3	Q24-0230	13/16" (20mm)	1/2" (13mm)	9/32" (7mm)	1/16" (2mm)	5/8" (16mm)
4	Q24-0320	9/16" (14mm)	1/4" (6mm)	5/16" (8mm)	1/8" (3mm)	3/8" (10mm)

### LARGE DIAMETER GROMMETS

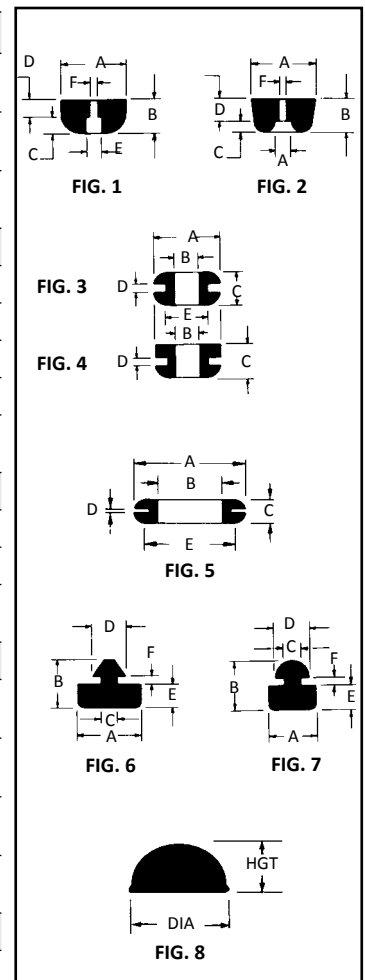
FIG.	MODEL NO.	A	B	C	D	E
5	Q24-0420	1-7/8" (48mm)	1-1/8" (29mm)	3/8" (10mm)	1/16" (2mm)	1-1/2" (38mm)
5	Q24-0520	2-7/8" (75mm)	2-1/8" (54mm)	7/16" (11mm)	1/16" (2mm)	2-1/2" (64mm)

### BUTTON BUMPERS

FIG.	MODEL NO.	A	B	C	D	E	F
6	Q26-3062	3/8" (10mm)	1/4" (6mm)	1/4" (6mm)	5/16" (8mm)	3/64" (1mm)	3/64" (1mm)
6	Q26-4071	1/2" (13mm)	3/8" (10mm)	3/16" (5mm)	1/8" (3mm)	1/16" (2mm)	1/16" (2mm)
7	Q26-4072	1/2" (13mm)	3/8" (10mm)	3/16" (5mm)	3/16" (5mm)	3/16" (5mm)	1/16" (2mm)

### PRESSURE SENSITIVE BUMPERS

FIG.	MODEL NO.	HEIGHT	DIAMETER
8	Q21-5003	.20" (5mm)	.44" (11mm)
8	Q21-5017	.38" (10mm)	.75" (20mm)





## BALL BEARING SYSTEMS

### BALL BEARING SYSTEMS - A COMPREHENSIVE GUIDE TO BEARING SELECTION SPECIFICALLY FOR FOOD SERVICE EQUIPMENT APPLICATIONS

COMPONENT HARDWARE HAS DESIGNED AN INNOVATIVE BALL BEARING SYSTEM WITH A DUAL FEATURE.

**FIRST...**A SYSTEM THAT SATISFIES THE OFTEN ENCOUNTERED PRICE AND DELIVERY PROBLEM WHEN PURCHASING EVEN STANDARD SIZE BEARINGS IN SMALL QUANTITIES. THIS SYSTEM PERMITS OFF THE SHELF DELIVERY AND SMART PRICES NO MATTER HOW SMALL THE ORDER QUANTITY.

**SECOND...**AND PERHAPS THE BEST...A BEARING SYSTEM THAT PERMITS THE USER TO CONFIGURE ESSENTIAL BEARING COMPONENTS TO ASSEMBLE A WIDE RANGE OF BEARING SIZES AND STYLES TO MEET INDIVIDUAL DESIGN REQUIREMENTS.

LISTED ON THIS PAGE IS A SELECTION OF BEARINGS, SCREW STUDS AND RIVETS WHICH ALLOWS YOU TO CHOOSE A BEARING ASSEMBLY TO SUIT YOUR SPECIFIC REQUIREMENTS.

**INSTRUCTIONS:** SELECT ANY BEARING WITH HOLE. IF SHOULDER IS REQUIRED CHOOSE SHOULDER SPACER(S) AS REQUIRED. SELECT THE RIVER OR SCREW STUD WITH LENGTH TO SATISFY SHOULDER, SHAFT CLEARANCE AND THICKNESS OF BEARINGS. (SEE ILLUSTRATION)

G

**SCREW**  
OR  
**RIVET**

**SELECTED BEARING**  
B20-1013

B20-1019	B20-1230
B20-1028	B20-1819
B20-1032	B23-1013
B20-1219	B24-1013

**SHAFT CLEARANCE**

**LENGTH**  
1/4"-20"

1/2" (13mm) DIA.

**STAINLESS STEEL SCREW STUDS**

MODEL NO.	TH'K
B30-X003	1" (25mm)
B30-X004	5/8" (16mm)
B30-X008	3/4" (19mm)

**STAINLESS STEEL SHOULDER SPACERS**

MODEL NO.	TH'K
B10-X004	7/32" (6mm)
B10-X008	3/32" (2mm)
B10-X009	1/32" (1mm)

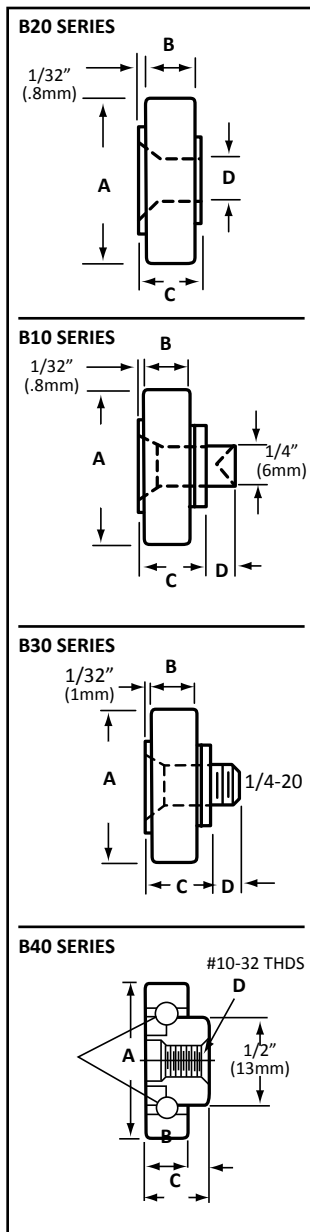
**STAINLESS STEEL RIVETS**

MODEL NO.	TH'K
B10-X012	1/2" (13mm)
B10-X013	3/4" (19mm)





## FLAT BEARINGS



### FLAT BEARINGS WITH HOLE

MODEL NO.	INNER RACE	OUTER RACE	A	B	C	D	LOAD*
B20-1013	Steel	Steel	7/8" (22mm)	7/32" (6mm)	9/32" (7mm)	1/4" (6mm)	42 lbs (19kg)
B20-1019	Steel	Steel	1" (25mm)	5/16" (8mm)	3/8" (10mm)	1/4" (6mm)	57 lbs (25kg)
B20-1032	Steel	Steel	1" (25mm)	7/32" (6mm)	9/32" (7mm)	1/4" (6mm)	57 lbs (25kg)
B20-1028	Steel	Steel	1-5/16" (33mm)	5/16" (8mm)	3/8" (10mm)	1/4" (6mm)	87 lbs (39kg)
B20-1819	Steel	Nylon & Steel	1" (25mm)	7/32" (6mm)	9/32" (7mm)	1/4" (6mm)	53 lbs (24kg)
B20-1230	Stainless Steel	Stainless Steel	29/32" (23mm)	1/4" (6mm)	5/16" (8mm)	1/4" (6mm)	90 lbs (40kg)
B20-1219	Stainless Steel	Stainless Steel	1-5/16" (33mm)	5/16" (8mm)	3/8" (10mm)	1/4" (6mm)	87 lbs (39kg)

### FLAT BEARINGS WITH RIVET

B10-1013	Steel	Steel	7/8" (22mm)	7/32" (6mm)	3/8" (10mm)	1/8" (3mm)	42 lbs (19kg)
B10-1016	Steel	Steel	1" (25mm)	7/32" (6mm)	3/8" (10mm)	1/8" (3mm)	57 lbs (25kg)
B10-1025	Steel	Steel	1-5/16" (33mm)	5/16" (8mm)	3/8" (10mm)	3/32" (6mm)	87 lbs (39kg)
B10-1034	Steel	Steel	1-5/16" (33mm)	5/16" (8mm)	19/32" (15mm)	3/16" (5mm)	87 lbs (39kg)
B10-1822	Steel	Nylon & Steel	1" (25mm)	7/32" (6mm)	3/8" (10mm)	1/8" (3mm)	53 lbs (24kg)

### FLAT BEARINGS WITH SCREW STUD

B30-1013	Steel	Steel	7/8" (22mm)	7/32" (6mm)	3/8" (10mm)	3/8" (10mm)	42 lbs (19kg)
B30-1210	Stainless Steel	Stainless Steel	29/32" (23mm)	1/4" (6mm)	11/32" (9mm)	5/16" (8mm)	90 lbs (40kg)
B30-1034	Steel	Steel	1-5/16" (33mm)	5/16" (8mm)	19/32" (15mm)	3/8" (10mm)	87 lbs (39kg)

### FLAT BEARINGS WITH TAPPED HOLE

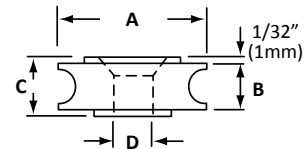
B40-1240	Stainless Steel	Stainless Steel	7/8" (22mm)	1/4" (6mm)	3/8" (10mm)	#10-32	80 lbs (35kg)
----------	-----------------	-----------------	----------------	---------------	----------------	--------	------------------

\*BEARING LOAD RATINGS BASED ON 600 R.P.M.

G

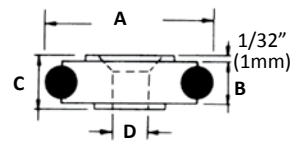


## CONCAVE & RUBBER TIRE BEARINGS



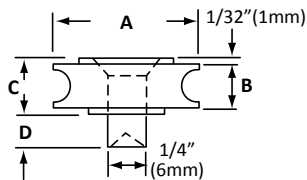
**CONCAVE BEARING WITH HOLE  
STEEL INNER AND OUTER RACE**

MODEL NO.	A	B	C	D	LOAD*
<b>B24-1013</b>	1-3/16" (30mm)	5/16" (8mm)	3/8" (10mm)	1/4" (6mm)	80 lbs (36kg)



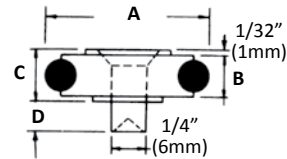
**RUBBER TIRE BEARING WITH HOLE  
STEEL INNER AND OUTER RACE**

MODEL NO.	A	B	C	D	LOAD*
<b>B23-1013</b>	1-5/16" (33mm)	5/16" (8mm)	3/8" (10mm)	1/4" (6mm)	87 lbs (39kg)



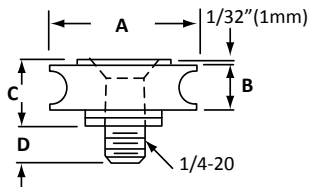
**CONCAVE BEARING WITH RIVET STUD  
STEEL INNER AND OUTER RACE**

MODEL NO.	A	B	C	D	LOAD*
<b>B14-1010</b>	1-3/16" (30mm)	5/16" (8mm)	3/8" (10mm)	1/8" (3mm)	80 lbs (36kg)



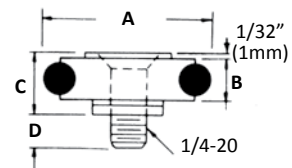
**RUBBER TIRE BEARING WITH RIVET STUD  
STEEL INNER AND OUTER RACE**

MODEL NO.	A	B	C	D	LOAD*
<b>B13-1010</b>	1-5/16" (33mm)	5/16" (8mm)	3/8" (10mm)	1/8" (3mm)	87 lbs (39kg)



**CONCAVE BEARING WITH SCREW STUD  
STEEL INNER AND OUTER RACE**

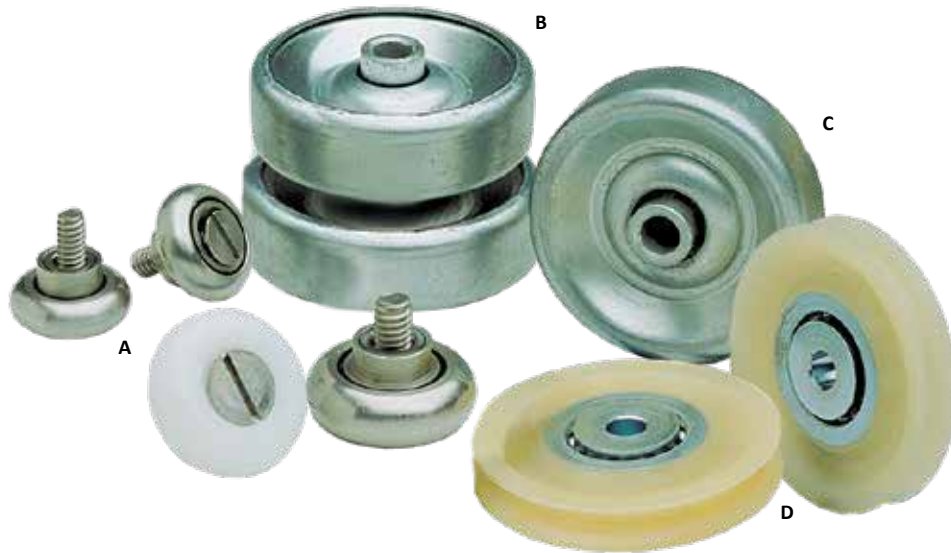
MODEL NO.	A	B	C	D	LOAD*
<b>B34-1010</b>	1-3/16" (30mm)	5/16" (8mm)	3/8" (10mm)	3/8" (10mm)	80 lbs (36kg)
<b>B34-1016</b>	1-3/16" (30mm)	5/16" (8mm)	19/32" (15mm)	1/8" (3mm)	80 lbs (36kg)



**RUBBER TIRE BEARING WITH SCREW STUD  
STEEL INNER AND OUTER RACE**

MODEL NO.	A	B	C	D	LOAD*
<b>B33-1010</b>	1-5/16" (33mm)	5/16" (8mm)	3/8" (10mm)	3/8" (10mm)	87 lbs (39kg)
<b>B33-1016</b>	1-5/16" (33mm)	5/16" (8mm)	19/32" (15mm)	3/8" (10mm)	87 lbs (39kg)

G

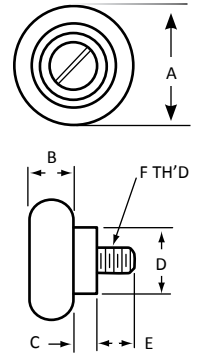


## BALL BEARING ASSEMBLIES, PULLEY & WHEELS

REF A

### DELIRIN BEARING AND STAINLESS STEEL BALL BEARING ASSEMBLY WITH REMOVABLE THREADED FASTENER

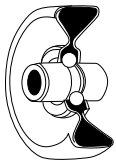
MODEL NO.	MAT'L.	TYPE	A	B	C	D	E	F
S26-Y001	Stainless Steel	Ball Bearing	.760 (19mm)	.250 (6mm)	.187 (5mm)	.420 (11mm)	.300 (8mm)	10-24
S10-Y001	Zinc Plated Stainless	Ball Bearing	.760 (19mm)	.250 (6mm)	.187 (5mm)	.420 (11mm)	.300 (8mm)	10-24
S52-X101	Delrin	Solid	1.070 (27mm)	.375 (10mm)	.187 (5mm)	.500 (13mm)	.260 (7mm)	1/4-20
S52-X001	Stainless Steel	Ball Bearing	1.070 (27mm)	.375 (10mm)	.187 (5mm)	.500 (13mm)	.260 (7mm)	1/4-20



REF B

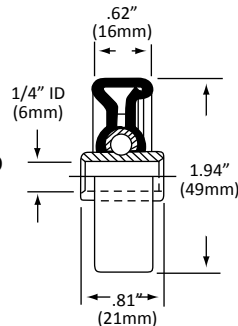
### STAINLESS STEEL and STEEL WHEELS

- IDEAL FOR DRAWER SLIDES AND CONVEYOR ASSEMBLIES
- HEAT TREATED INNER AND OUTER RACEWAYS
- ALL METAL CONSTRUCTION



**STAINLESS STEEL WHEEL**  
MODEL NO. IR-0031

**STEEL WHEEL ZINC PLATED**  
MODEL NO. IR-2263



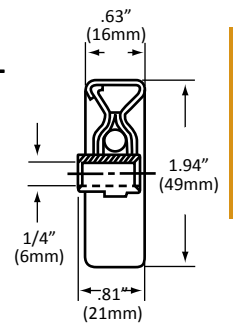
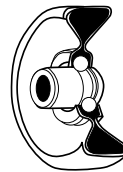
REF C

### STAINLESS STEEL WHEEL

MODEL NO. IR-1061

**ZINC PLATED STEEL**  
with OFFSET BUSHING

MODEL NO. IR-2112

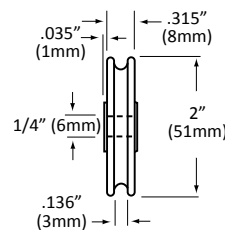


G

REF D

### NYLON WHEEL PULLEY with STEEL RACES

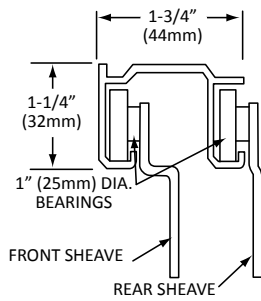
**NYLON/STEEL WHEEL PULLEY**  
MODEL NO. B25-1810





## SLIDING DOOR COMPONENTS OVERHEAD TRACK COMPONENTS FOR SLIDING DOORS

REF A



### SLIDING DOOR TRACK EXTRUDED ALUMINUM 16 GAUGE

MODEL NO.	LENGTH
B57-0048	48" (1219mm)
B57-0060	60" (1524mm)
B57-0072	72" (1828mm)
B57-0120	120" (3048mm)
B57-0144	144" (3657mm)

REF B

### FRONT DOOR SHEAVE, ZINC PLATED STEEL 3/4" (19mm) SIDE MOUNTED DOOR HANGER



MODEL NO.	WHEEL TYPE
B58-5511	Flat, Steel Plated, Ball Bearing
B58-5513	Flat, Nylon Surface, Steel Inner Races, Ball Bearing

REF C

### REAR DOOR SHEAVE, ZINC PLATED STEEL 3/4" (19mm) SIDE MOUNTED DOOR HANGER

MODEL NO.	WHEEL TYPE
B58-5521	Flat, Steel Plated, Ball Bearing
B58-5523	Flat, Nylon Surface, Steel Inner Races, Ball Bearing

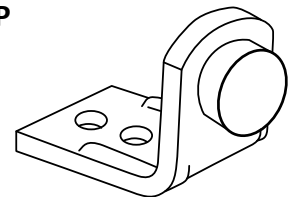
REF D

**MATERIAL:**  
STEEL, ZINC PLATED

**BUMPER:**  
SOLID RUBBER

### DOOR STOP

**MODEL NO.**  
B60-1086

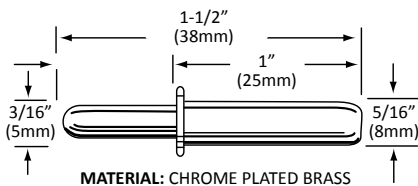


REF E

### GUIDE PINS

**MODEL NO. B56-1096**

SPRING LOADED with PUSH-ON SPEED NUTS



**MATERIAL:** CHROME PLATED BRASS

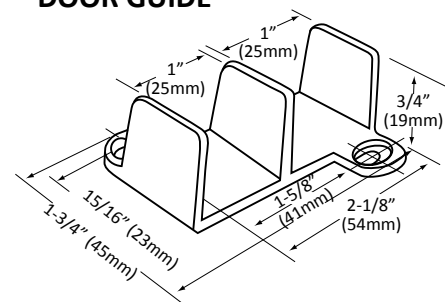
REF F

### DOOR GUIDE

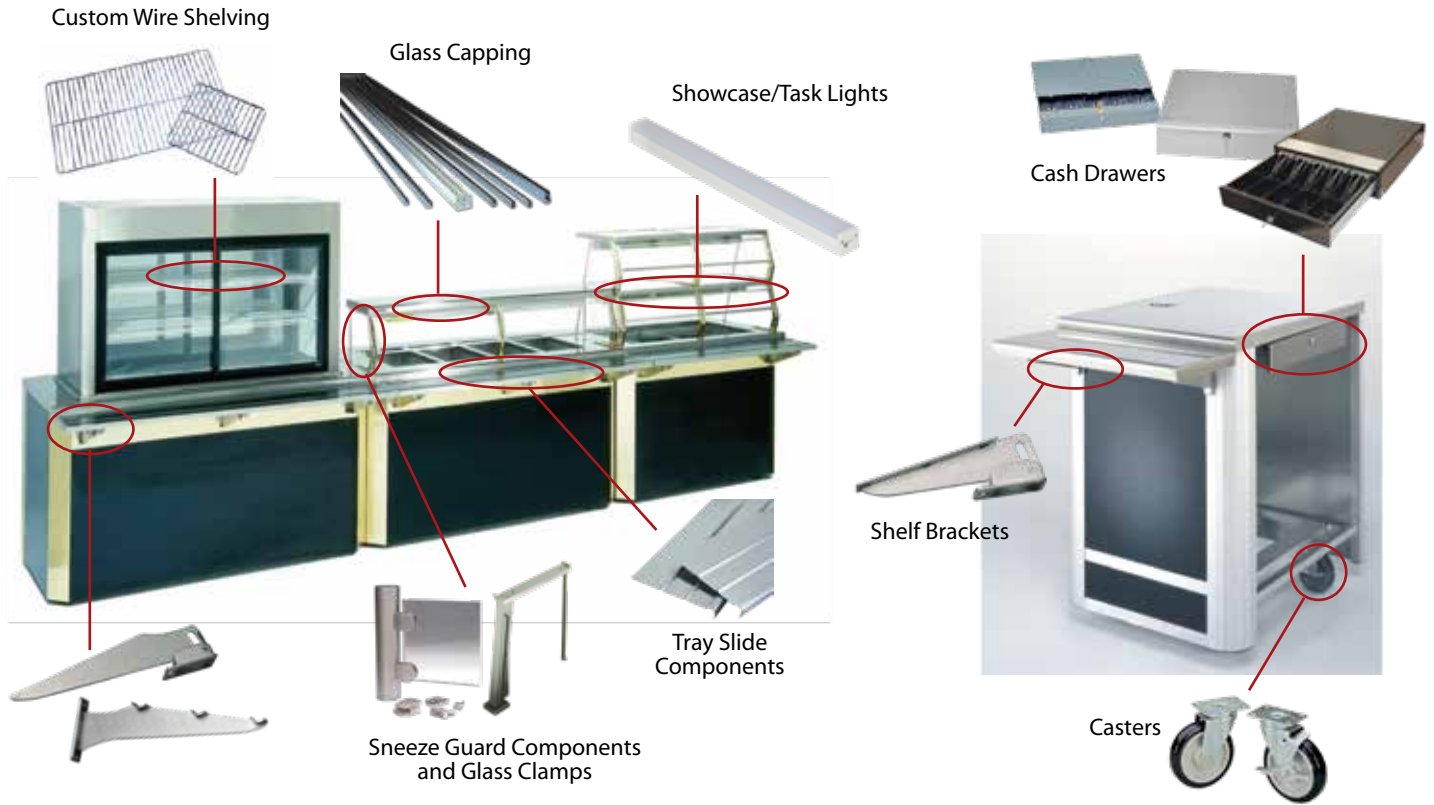
**MODEL NO.**  
B62-1093

FOR 3/4" (19mm)  
SLIDING DOORS

**MATERIAL:** NYLON  
O.A. SIZE: 1-3/4" X 2-1/8"  
(44mm x 54mm)



# CAFETERIA COMPONENTS

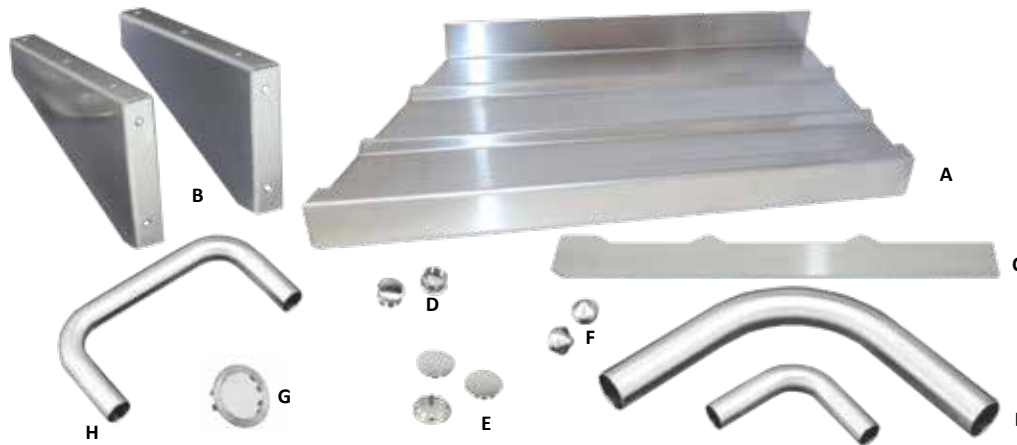


TRAY SLIDE COMPONENTS	H200	DRIP PLATE	H210
TRAY SLIDE & SHELF BRACKETS	H201	END CAPS & LID COVER BRACKETS	H211
FOLD DOWN/REMOVABLE SHELF BRACKETS	H202	SINK/TABLE/BAR ACCESSORIES	H212
PROTECTOR & SNEEZE GUARD COMPONENTS	H203	CORNER INSERTS	H213
GLASS CLAMPS, GLASS CAPPING & CHANNEL	H204	BRITE GARD™ CLEANING PRODUCTS	H214
CAP STRIPS & DIVIDER BARS	H205	ROLLER ASSEMBLIES. CONVEYOR ROLLER COMPONENTS & WHEELS	H215
MOULDINGS & DIVIDERS	H206	CONVEYOR ROLLER ASSEMBLIES	H216
POT RACK COMPONENTS	H207	ORDER FORM-CUSTOM CONVEYOR ROLLERS	H217
TUBING ACCESSORIES	H208		
WALL SHELVING	H209		

For Lighting Components, please see Lighting & Electrical on pages D97- D115



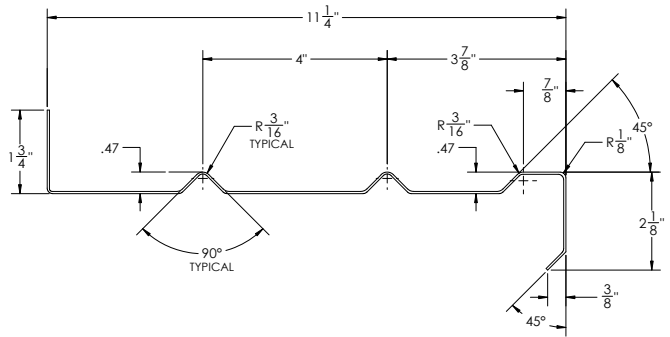
# Tray Slide Components



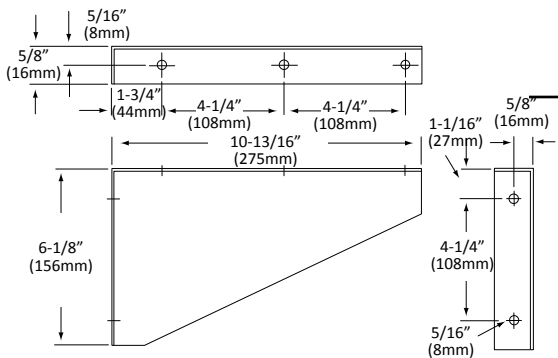
## TRAY SLIDE COMPONENTS

- REF. A**
- STAINLESS STEEL • ROLL FORMED**  
**CONTINUOUS TRAY SLIDE**
- PROVIDED WITH 90° ANGLE FOR EASY INSTALLATION
  - CONTINUOUS...PERFECT ALIGNMENT • SATIN POLISHED FINISH

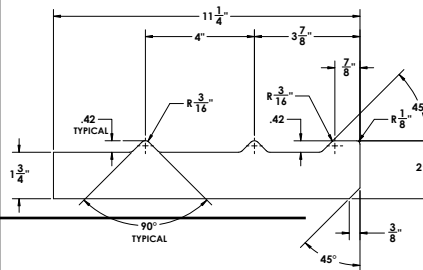
MODEL NO.	GAUGE	LENGTH
J12-1601	16 ga (1.6mm)	10 ft (3000mm)



- REF. B**
- HEAVY 14 GAUGE**  
**STAINLESS STEEL BRACKET**  
**MODEL NO. J19-1400**
- ECONOMICAL
  - POLISHED TO A #4 SATIN FINISH
  - PROVIDED WITH 91° ANGLE TO PREVENT TRAY SLIDE SAG
  - PRE-DRILLED MOUNTING HOLES FOR FAST CONVENIENT INSTALLATION
  - IDEAL FOR USE WITH CONTINUOUS TRAY SLIDE
  - SOLD BY PAIR ONLY



- REF. C**
- STAINLESS STEEL**  
**END PLATE**  
**MODEL NO. J12-1402**  
 14 ga (1.9mm) POLISHED  
 STAINLESS STEEL FINISH



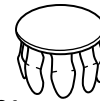
- REF. E**
- NICKEL PLATED STEEL**  
**END CAP**  
 FOR 1-5/8" (41mm) O.D. TUBING  
**MODEL NO. J16-0158**



- REF. F**
- SOLID STAINLESS STEEL**  
**END CAP**  
 FOR 1" (25mm) O.D.  
 18 ga (1.2mm) TUBING  
 (WELD APPLICATION)  
**MODEL NO. J16-0100**

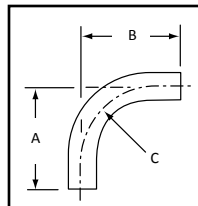
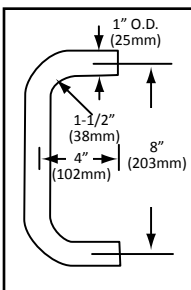


- REF. D**
- NICKEL PLATED STEEL**  
**END CAP**  
 FOR 1" (25mm)  
 O.D. TUBING  
**MODEL NO. J16-0201**



- REF. G**
- STAINLESS STEEL**  
**SCREENED HOLE PLUG**  
 FOR 1-5/8" (41mm) O.D. HOLE  
**MODEL NO. J16-0158-SPSS**

- REF. H**
- 16 GAUGE (1.5 mm)**  
**STAINLESS STEEL**  
**"U" BENDS**  
 FOR 1" (25mm) O.D. TUBING  
 DESIGNED FOR TRAY SLIDE RAILS  
**MODEL NO. J13-4488\***  
 \*CAN BE USED WITH NO.'S  
**J19-4960 & J19-4955**  
 3 RAIL TRAY SLIDE BRACKETS

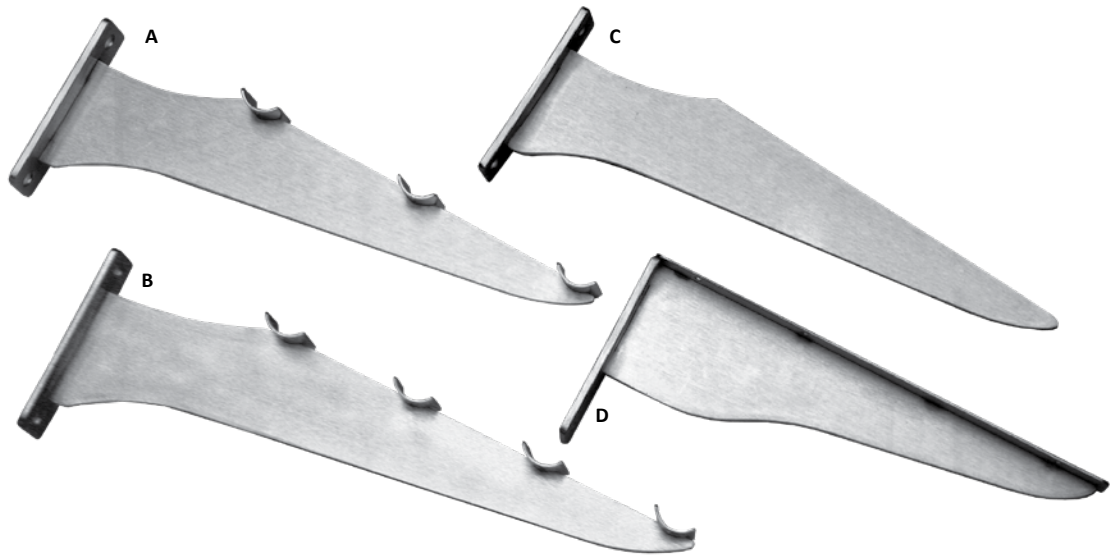


- REF. I**
- STAINLESS STEEL**  
**90° ELBOWS**
- 16 ga (1.5mm) • FOR 1" (25mm) & 1-5/8" (41mm) TUBING DESIGNED FOR RAILS, SUPPORTS, ETC.



MODEL NO.	O.D.	A	B	C
J14-0117	1" (25mm)	4" (102mm)	4" (102mm)	1-1/2" (38mm)
J14-0119	1-5/8" (41mm)	10" (254mm)	10" (254mm)	4-5/8" (117mm)





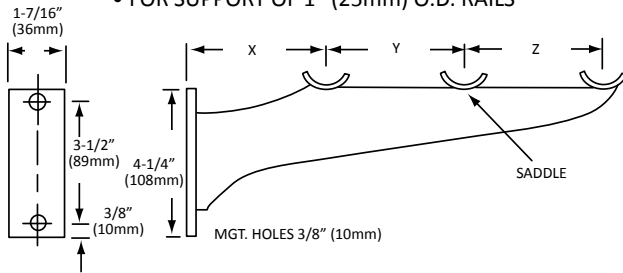
## TRAY SLIDE and SHELF BRACKETS

REF. A

### STAINLESS STEEL 3-RAIL TRAY SLIDE BRACKET



- LOAD CAPACITY: 200 lbs PER 2 BRACKETS
- FOR SUPPORT OF 1" (25mm) O.D. RAILS



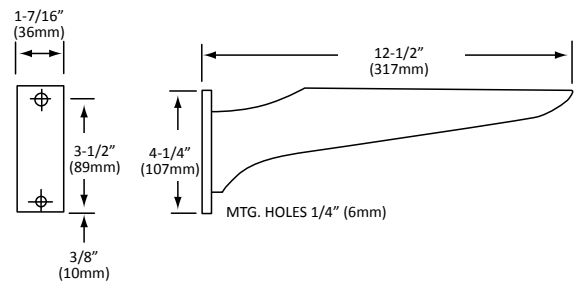
MODEL NO.	"X"	"Y"	"Z"
J19-4960	4" (102mm)	4" (102mm)	4" (102mm)
J19-4962	4" (102mm)	4-1/2" (114mm)	4-1/2" (114mm)

REF. C

### STAINLESS STEEL TRAY SLIDE BRACKET WITHOUT SADDLES



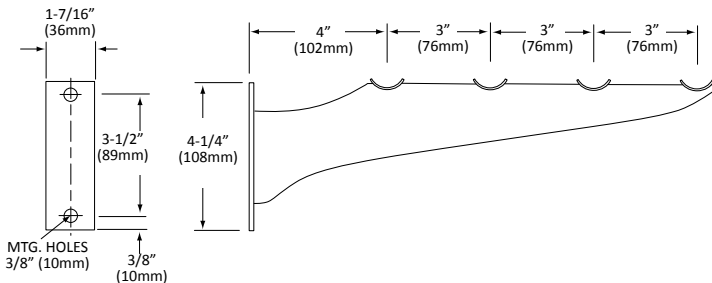
MODEL NO. J19-4960-LT  
LOAD CAPACITY: 150 lbs PER 2 BRACKETS



REF. B

### STAINLESS STEEL 4-RAIL TRAY SLIDE BRACKET

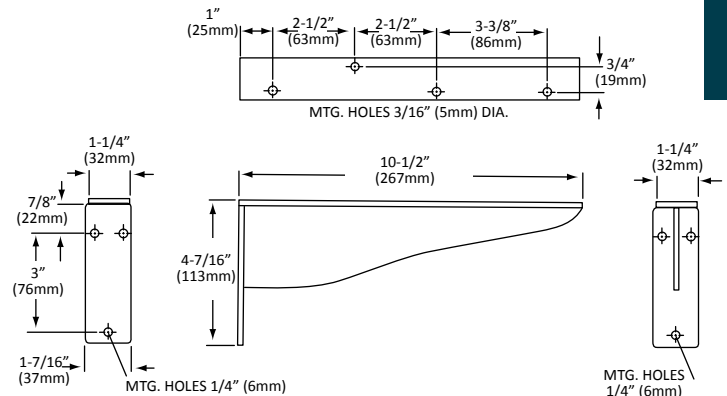
- LOAD CAPACITY: 200 lbs PER 2 BRACKETS
- FOR SUPPORT OF 1" O.D. RAILS



REF. D

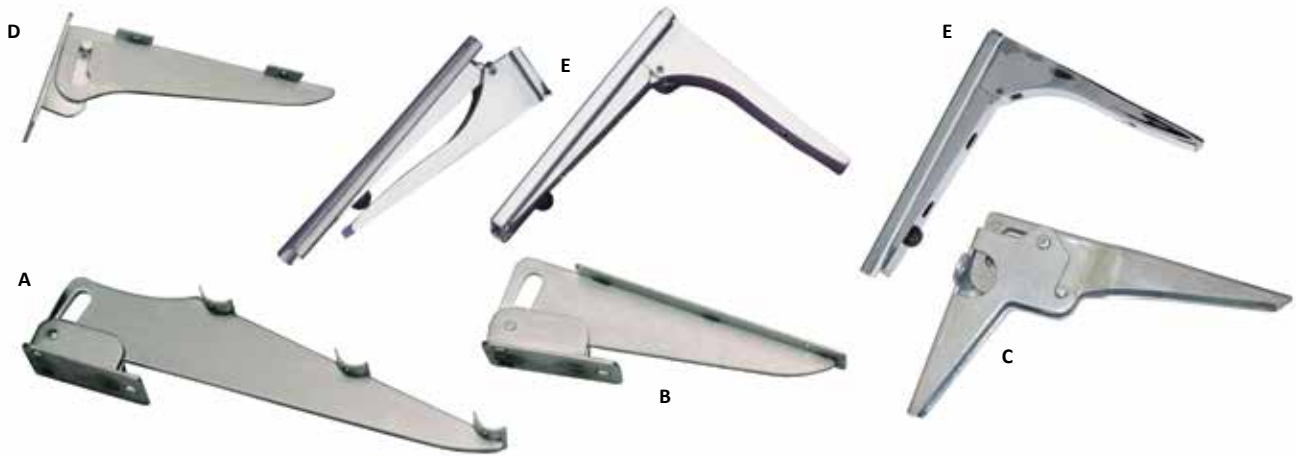
### STAINLESS STEEL FIXED SHELF BRACKET

MODEL NO. J19-4966  
LOAD CAPACITY: 200 lbs PER 2 BRACKETS



ALL BRACKETS SHOWN ARE 8 GAUGE (.170" - 4.5mm), STAINLESS STEEL POLISHED TO A #4 SATIN FINISH

# Fold Down / Removable Shelf Brackets

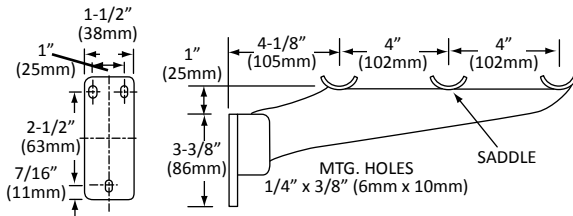


## FOLD DOWN / REMOVABLE SHELF BRACKETS

### REF. A STAINLESS STEEL FOLD DOWN 3-RAIL TRAY SLIDE BRACKET MODEL NO. J19-4955

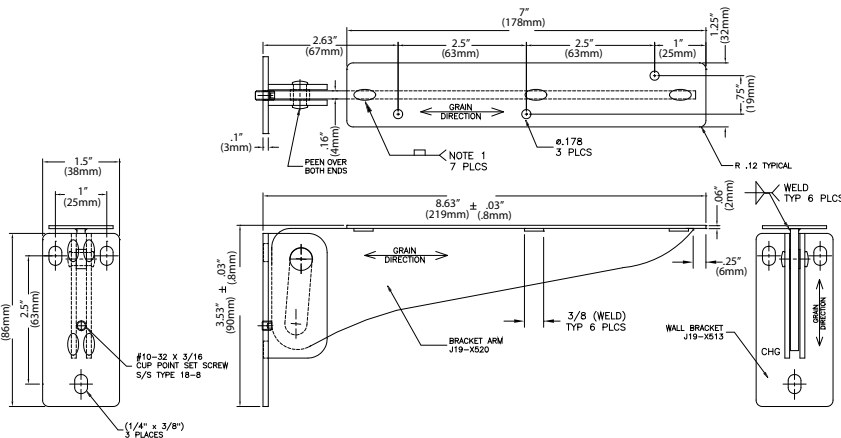
LOAD CAPACITY: 150 lbs PER 2 BRACKETS

FOR SUPPORT OF 1" (25mm) O.D. RAILS  
ALSO AVAILABLE WITHOUT SADDLES... ORDER AS J19-4955-LT



### REF. B STAINLESS STEEL FOLD DOWN SHELF BRACKET MODEL NO. J19-4967

LOAD CAPACITY: 200 lbs PER 2 BRACKETS

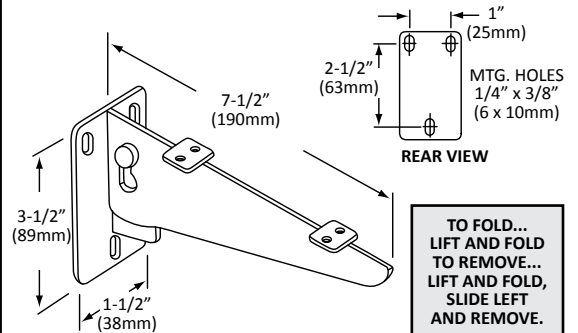


### REF. D STAINLESS STEEL FOLD DOWN REMOVABLE SHELF BRACKET



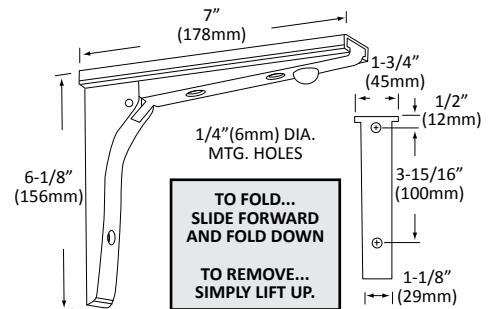
• SATIN FINISH • HEAVY DUTY  
MODEL NO. J19-5000\*

\*SOLD AS A PAIR, KEYHOLE BASE WITH BRACKET  
AND STRAIGHT PIN BASE WITH BRACKET  
MATERIAL: STAINLESS STEEL WITH A #4 FINISH  
LOAD CAPACITY: 150 lbs PER 2 BRACKETS

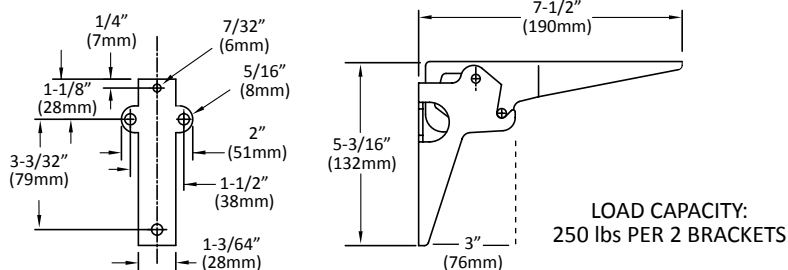


### REF. E HEAVY DUTY FOLDING REMOVABLE SHELF BRACKET

• FOLDS DOWN WHEN NOT IN USE  
• SHELVES EASILY REMOVED FOR CLEANING



### REF. C HEAVY DUTY ZINC PLATED STEEL FOLD DOWN SHELF BRACKET MODEL NO. J18-2000



MODEL NO.	DESCRIPTION
J17-4270	Chrome Plated Die Cast Bracket With 14 ga (2mm) Zinc Plate Steel Mount
J17-4273	Chrome Plated Die Cast Bracket With 300 Series Stainless Steel Mount

LOAD CAPACITY: 200 lbs PER 2 BRACKETS



## PROTECTOR AND SNEEZE GUARD COMPONENTS

### STAINLESS STEEL PROTECTOR ASSEMBLY

- STAINLESS STEEL CONSTRUCTION
- FOLD DOWN BRACKET DESIGN
- RIGID SUPPORT POST
- STURDY BASES

#### SPECIFICATIONS:

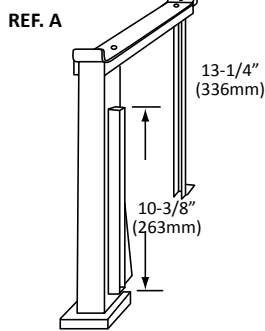
**STOCK SIZE:** 14" (357mm) HIGH, 10" (254mm) SHELF, 10° SLANT FRONT

**POSTS:** SEAMLESS STAINLESS STEEL

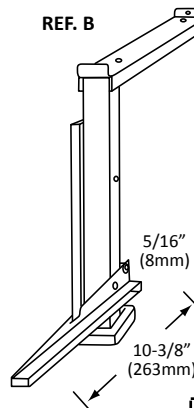
**BRACKETS:** STAINLESS STEEL DIE FORMED FURNISHED WITH LOCKING FEATURE TO HOLD BRACKET ASSEMBLY IN CLOSED POSITION ... NYLON ROLLER AND END CHANNEL TO ACCEPT WRAPPED GLASS FOR NOMINAL 1/4" (6mm) GLASS

**MOUNTING:** 5/16" x 2-1/4" (8mm x 57mm) BOLT FURNISHED FOR FASTENING FROM UNDERSIDE

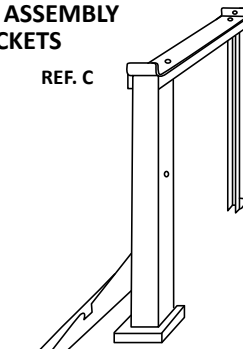
### STAINLESS STEEL PROTECTOR ASSEMBLY WITH FOLD DOWN BRACKETS



MODEL NO. J25-2100  
(LEFT HAND)



MODEL NO. J25-2300  
(CENTER)



MODEL NO. J25-2200  
(RIGHT HAND)

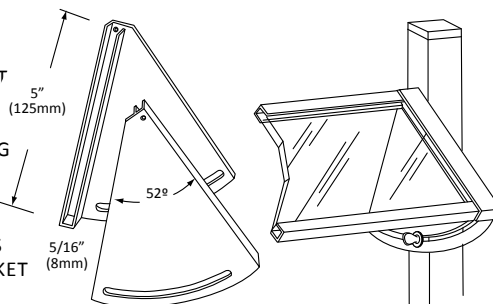


REF. D

### STAINLESS STEEL ADJUSTABLE SNEEZE GUARD BRACKET - PAIR

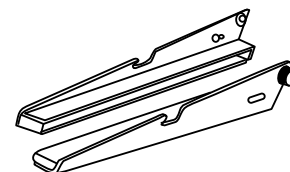
MODEL NO. J30-4465

- ADJUSTABLE PIE SHAPED BRACKETS PERMIT PROTECTOR GLASS TO BE PIVOTED ON UPRIGHT POST FOR OPTIMAL VIEWING AND PROTECTION
- ALL STAINLESS STEEL CONSTRUCTION
- SUPPLIED WITH TWO THUMBSCREWS FOR LOCKING IN THE ANGLE ADJUSTMENT ON THE POST
- 5" L GLASS CHANNEL ACCEPTS NOMINAL 1/4" WRAPPED PLATE GLASS
- FURNISHED WITH THUMB SCREWS AND WASHERS
- SOLD PER PAIR - LEFT HAND AND RIGHT HAND BRACKET (1) RIGHT HAND & (1) LEFT HAND WITH (2) THUMBSCREWS FOR ADJUSTMENT



**SPECIFICATIONS:**  
SHOE PROVIDED TO ACCEPT WRAPPED 1/4" (6mm) PLATE GLASS

REF. E

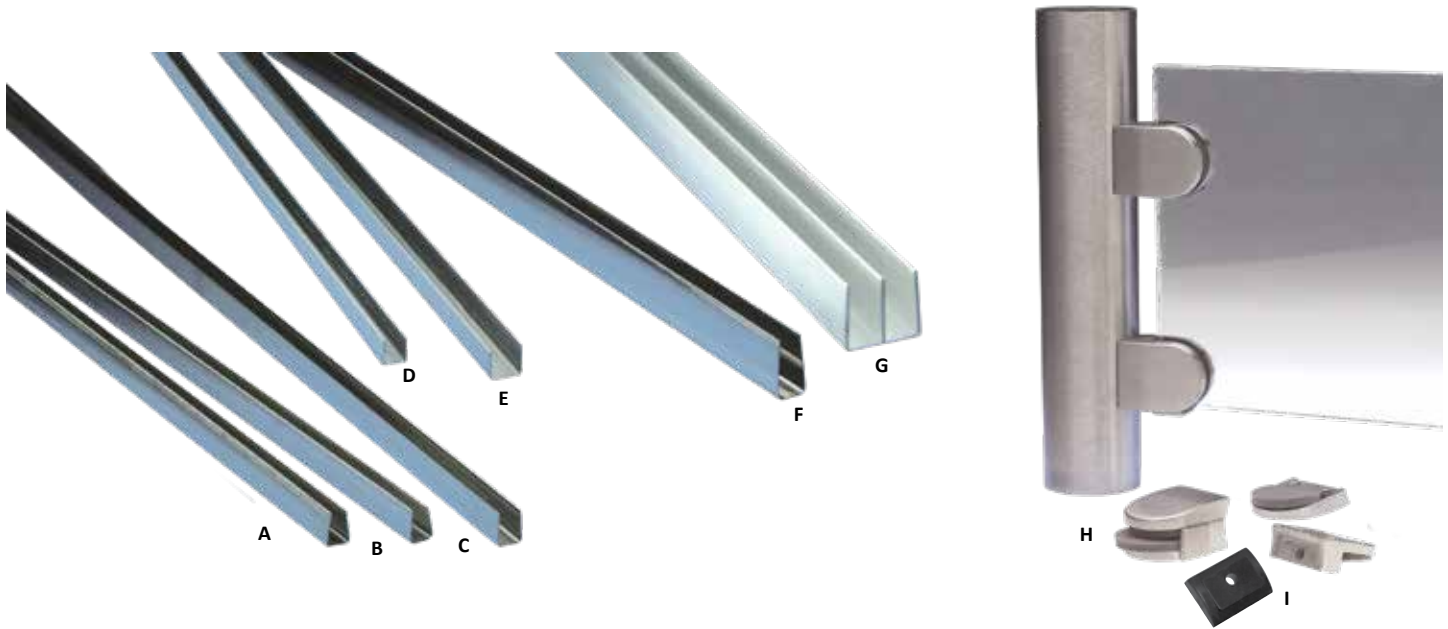


### 10-3/8" L STAINLESS STEEL FOLD DOWN SNEEZE GUARD PROTECTOR BRACKET - PAIR

MODEL NO. J29-4482

- ALL STAINLESS STEEL CONSTRUCTION
- FOLD DOWN BRACKETS FACILITATE EASY CLEANING OF GLASS
- BRACKETS HAVE LOCKING FEATURE TO SECURELY FASTEN GLASS IN THE UPRIGHT POSITION
- GLASS CHANNEL ON BRACKET ACCEPTS NOMINAL 1/4" GLASS WITH STAINLESS WRAP
- FURNISHED WITH SCREWS AND WASHERS
- SOLD PER PAIR - LEFT AND RIGHT HAND
- ACCEPTS NOMINAL 1/4" GLASS WITH STAINLESS TRIM
- FACILITATES EASY CLEANING OF GLASS
- FURNISHED WITH SCREWS

# Glass Clamps, Glass Capping And Channel



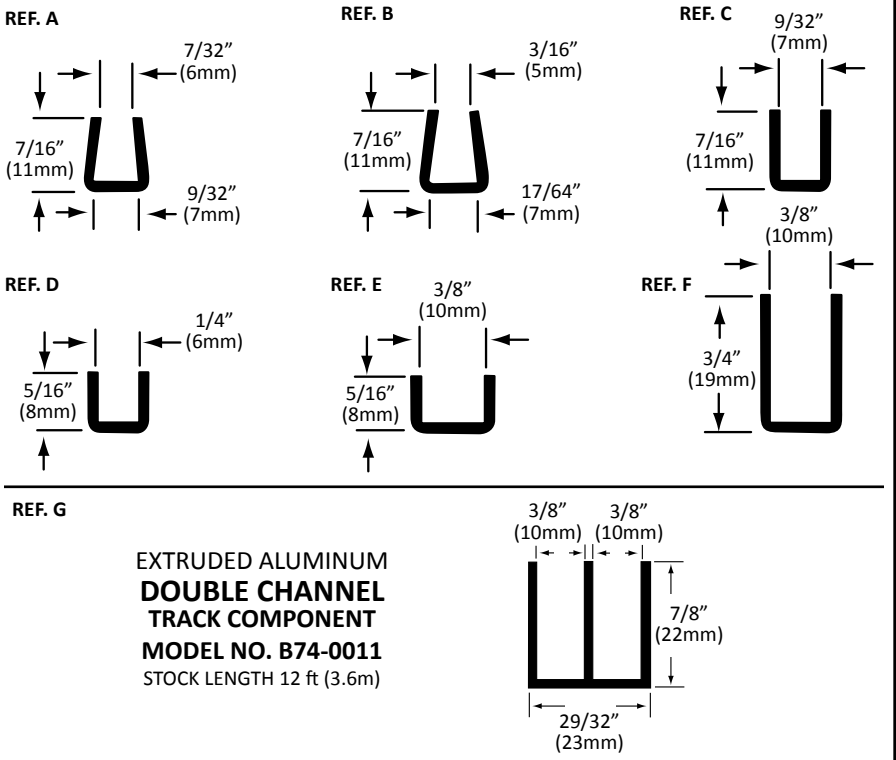
## GLASS CLAMPS, GLASS CAPPING AND CHANNEL

### STAINLESS STEEL GLASS CAPPING

- PREVENTS CHIPPING • PROVIDES SECURE FIT
- ATTRACTIVE POLISHED FINISH

REF.	MODEL NO.	STAINLESS STEEL TYPE	GAUGE
A	B70-1001	300 Series	.022 (.6mm)
B	B70-1002	300 Series	.022 (.6mm)
C	B70-1003	300 Series	.022 (.6mm)
D	B70-1005	400 Series	.019 (.5mm)
E	B70-1007	400 Series	.019 (.5mm)
F	B70-1008	400 Series	.019 (.5mm)
A	*B70-1001-6	300 Series	.022 (.6mm)

\*6 ft (1.9m) LENGTH.  
STOCK LENGTH 12 ft (3.6m) MINIMUM ORDER 144 ft (43.9m)



REF. H

### STAINLESS STEEL GLASS CLAMP FOR ROUND TUBING

<b>MODEL NO.</b> B79-1000 1/4" GLASS CLAMP, TOP	<b>MODEL NO.</b> B79-2000-L 1/4" GLASS CLAMP, BOTTOM LEFT	<b>MODEL NO.</b> B79-2000-R 1/4" GLASS CLAMP, BOTTOM RIGHT
<b>MODEL NO.</b> B79-1038 3/8" GLASS CLAMP, TOP	<b>MODEL NO.</b> B79-2038-L 3/8" GLASS CLAMP, BOTTOM LEFT	<b>MODEL NO.</b> B79-2038-R 3/8" GLASS CLAMP, BOTTOM RIGHT

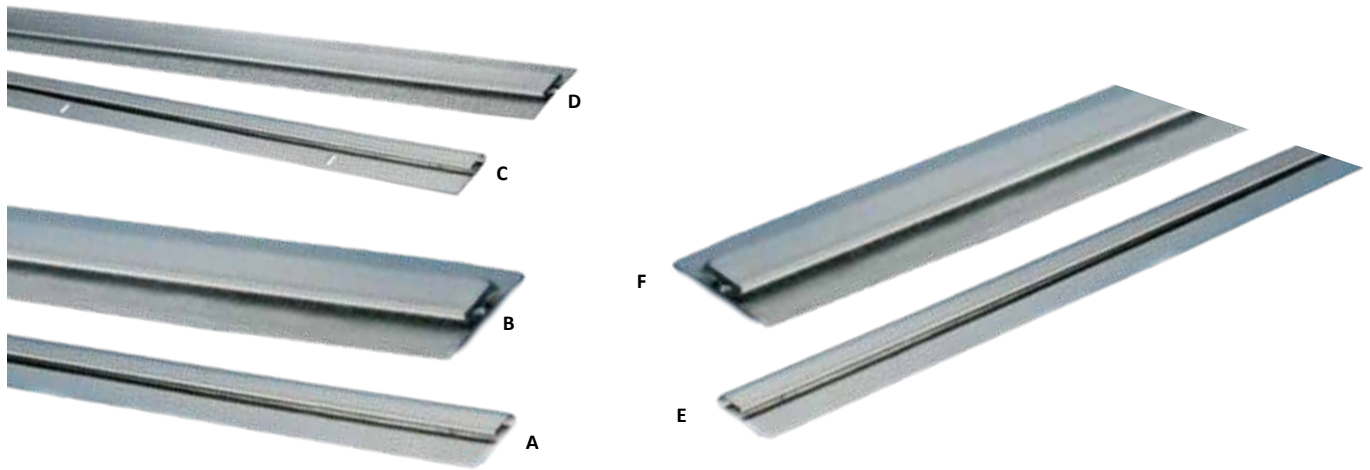
NOTE: MOUNTING SCREW NOT PROVIDED

- FIRMLY HOLDS GLASS WITHOUT DRILLING
- UNIQUE LEDGE ON BOTTOM BRACKETS PROVIDES A POSITIVE STOP TO MAKE INSTALLATION EASIER
- LIGHT GRAY SILICONE PAD CUSHIONS GLASS, WHILE PROVIDING MAXIMUM GRIPPING POWER
- SLEEK DESIGN MAXIMIZES VIEWABLE SURFACE AREA OF GLASS
- 3/8" OFFSET
- FOR USE WITH 1-5/8" TUBING
- IDEAL FOR PARTITIONS, DISPLAYS AND SNEEZE GUARDS
- SATIN FINISH MATCHES COUNTERTOPS AND SUPPORTS

REF. I

**BLACK DELRIN  
ADAPTER FOR  
SQUARE TUBING  
APPLICATION  
1/4" GLASS ONLY**

**MODEL NO.  
B79-X014**



## CAP STRIP AND DIVIDER BAR

- NEW EXTRA WIDE PROFILE FOR EASIER INSTALLATION • ALL STAINLESS STEEL CONSTRUCTION • ACCEPTS 1/16" (2mm) WALL FLASHING MATERIAL • GRAIN OF FINISH MATCHES WALL LINING • AVAILABLE IN VARIOUS LENGTHS TO MINIMIZE SCRAP • INDIVIDUALLY PLASTIC SLEEVED FOR PROTECTION OF FINISH • CAP STRIP HAS HEMMED EDGE FOR SAFETY

REF. A

### EXTENDED WIDE STAINLESS STEEL CAP STRIP

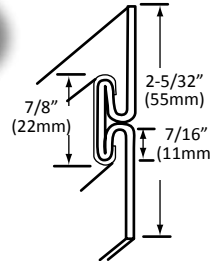
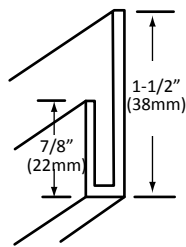
FOR 1/16" (1.6mm) MATERIAL SATIN FINISH

**MODEL NO. J63-1651-78**

6-1/2 ft (2m) LENGTH

**MODEL NO. J63-1651-120**

10 ft (3m) LENGTH



REF. B

### EXTENDED WIDE STAINLESS STEEL DIVIDER BAR WITH S/S BACK PLATE

FOR 1/16" (1.6mm) MATERIAL SATIN FINISH

**MODEL NO. J64-1651-78**

6-1/2 ft (2m) LENGTH

**MODEL NO. J64-1651-120**

10 ft (3m) LENGTH

- ALL STAINLESS STEEL CONSTRUCTION • ACCEPTS 1/16" (2mm) WALL FLASHING MATERIAL • GRAIN OF FINISH MATCHES WALL LINING • AVAILABLE IN VARIOUS LENGTHS TO MINIMIZE SCRAP • INDIVIDUALLY PLASTIC SLEEVED FOR PROTECTION OF FINISH

REF. C

### STAINLESS STEEL CAP STRIP

FOR 1/16" (1.6mm) MATERIAL #4 SATIN FINISH

**MODEL NO. J63-1451**

7 ft (2.1m) LENGTH

**MODEL NO. J63-1451-8\***

8 ft (2.4m) LENGTH

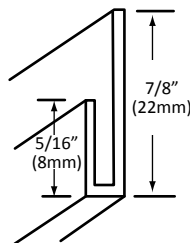
**MODEL NO. J63-1451-9\***

9 ft (2.7m) LENGTH

**MODEL NO. J63-1451-10\***

10 ft (3m) LENGTH

\* AVAILABLE ON APPLICATION AND 12 PIECE MINIMUM FOR 8, 9 & 10 ft LENGTHS



REF. D

### STAINLESS STEEL DIVIDER BAR WITH GALVANIZED BACK PLATE

FOR 1/16" (1.6mm) MATERIAL BRIGHT FINISH

**MODEL NO. J64-1450**

7 ft (2.1m) LENGTH

**MODEL NO. J64-1450-8\***

8 ft (2.4m) LENGTH

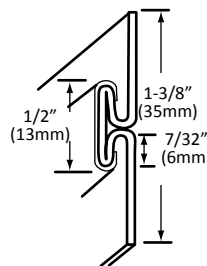
**MODEL NO. J64-1450-9\***

9 ft (2.7m) LENGTH

**MODEL NO. J64-1450-10\***

10 ft (3m) LENGTH

\* AVAILABLE ON APPLICATION AND 12 PIECE MINIMUM FOR 8, 9 & 10 ft LENGTHS



REF. E

### EXTENDED WIDE 304 STAINLESS STEEL CAP STRIP

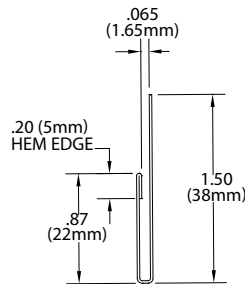
FOR 1/16" (1.6mm) MATERIAL SATIN FINISH

**MODEL NO. J63-2651-84**

7 ft (2.1m) LENGTH

**MODEL NO. J63-2651-120**

10 ft (3m) LENGTH



REF. F

### EXTENDED WIDE 304 STAINLESS STEEL DIVIDER BAR WITH S/S BACK PLATE

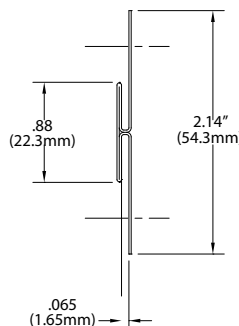
FOR 1/16" (1.6mm) MATERIAL SATIN FINISH

**MODEL NO. J64-2651-84**

7 ft (2.1m) LENGTH

**MODEL NO. J64-2651-120**

10 ft (3m) LENGTH







## MOULDINGS AND DIVIDERS

REF. E

- GALVANIZED STEEL BACK PLATE
- STAINLESS STEEL SNAP-ON COVER
  - BRIGHT FINISH

### STAINLESS STEEL FLAT SNAP-ON MOULDING

MODEL NO.	WIDTH
J60-2240	3/4" (19mm)
J60-2260	1" (25mm)
J60-2270	1-1/4" (32mm)

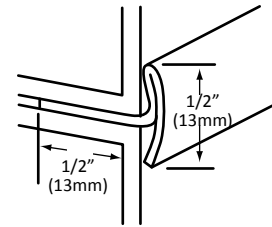
12 ft (3.6m) LENGTHS

REF. F

### STAINLESS STEEL LINE UP DIVIDER

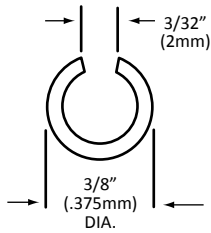
MODEL NO. J65-4110

1/2" (13mm) FACE  
12 ft (3.6m) LENGTH  
STOCK LENGTH 12 ft (3.6m)



H

REF. G



### STAINLESS STEEL SPLIT TUBE MOULDING

- 20 ga (1mm) • 2B FINISH

MODEL NO. J62-0012

12 ft (3.6m) LENGTH, IDEAL FOR HEMMING/EDGING  
MINIMUM ORDER 12 PIECES

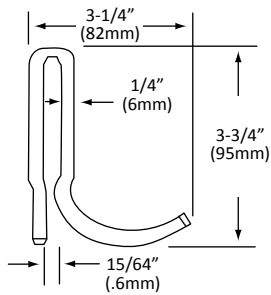




## POT RACK COMPONENTS



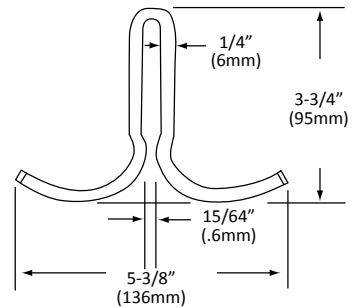
REF. A  
**STAINLESS STEEL  
 SLIDING  
 POT RACK HOOK  
 SINGLE PRONG**



**MODEL NO. J79-4115**



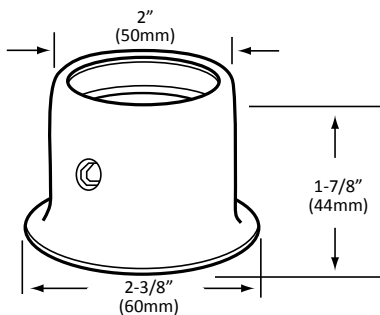
REF. B  
**STAINLESS STEEL AND  
 ZINC PLATED STEEL  
 SLIDING POT RACK HOOKS  
 DOUBLE PRONG**



**STAINLESS STEEL MODEL NO. J77-4401  
 ZINC PLATED STEEL MODEL NO. J77-4420**



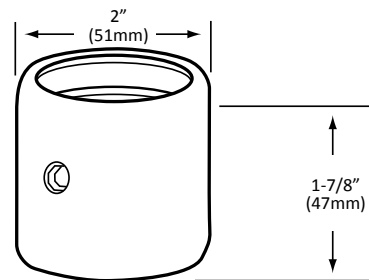
REF. C  
**STAINLESS STEEL  
 SUPPORT  
 COLLAR**  
 FOR 1-5/8" (41mm) O.D. TUBING



**MODEL NO. A16-0206-C**

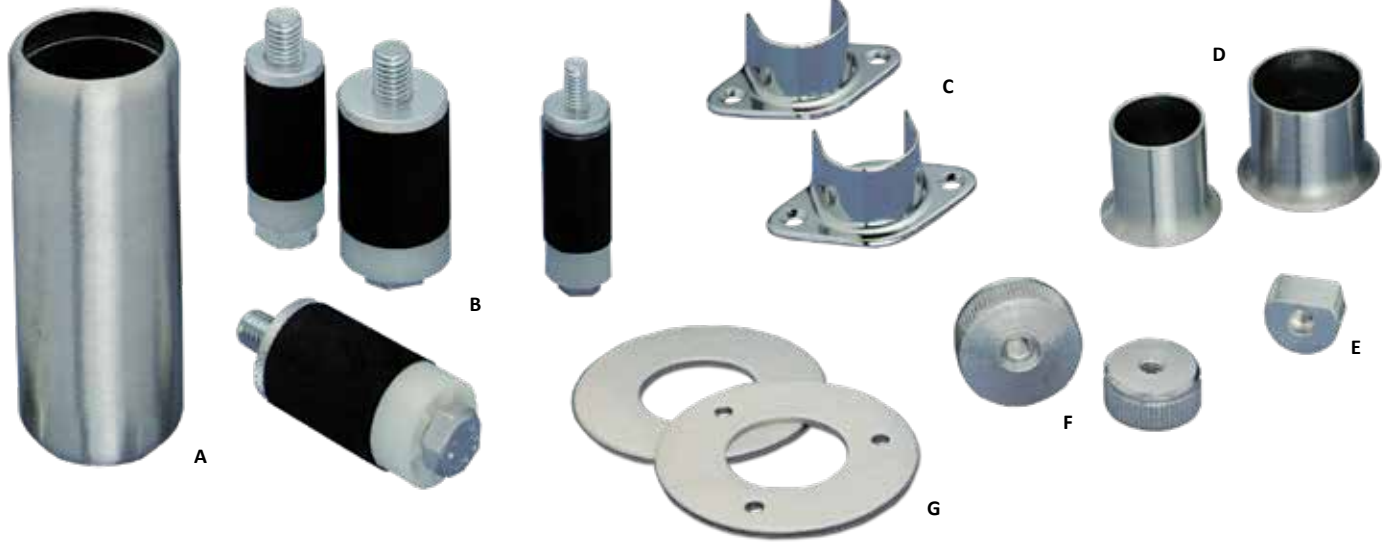


REF. D  
**STAINLESS STEEL  
 TUBULAR  
 COLLAR**  
 FOR 1-5/8" (41mm) O.D. TUBING



**MODEL NO. A24-0206-C**

H



## TUBING ACCESSORIES

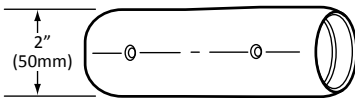
REF. A

### STAINLESS STEEL TUBULAR SHELF SUPPORT

FOR 1-5/8" (41mm) O.D. TUBING

- LONG LENGTH • ADJUSTABLE
- DOUBLE SET SCREW LOCKING
- PLATED INSIDE LINER
- SUITABLE FOR A WIDE ARRAY OF CUSTOM APPLICATIONS

**MODEL NO. A24-0207-C**  
5-1/4" (133mm) LG.



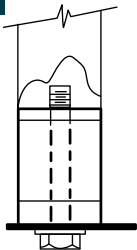
REF. B

### RUBBER EXPANDING FASTENERS

- FOR FAST KD INSTALLATION
- FOR ROUND OR SQUARE TUBING

MODEL NO.	TUBING SIZE
J57-7100	1" (25mm)
J57-7125	1-1/4" (32mm)
J57-7150	1-1/2" (38mm)
J57-7158	1-5/8" (41mm)

NOTE: J57-7100 USES 5/16" BOLT.  
ALL OTHERS USE 1/2" BOLTS.

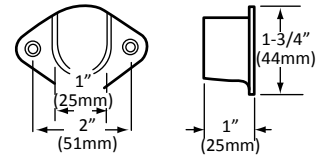


REF. C

### CHROME PLATED OBLONG BASE END FLANGE

FOR 1" (25mm) O.D. TUBING

- DIE CAST METAL • CHROME PLATED
- MODEL NO. J53-0125**

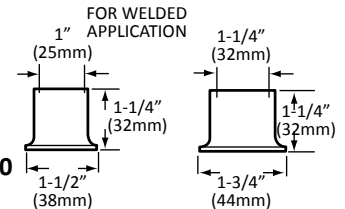


REF. D

### STAINLESS STEEL ROUND BASE FLANGE

FOR 1" (25mm) O.D. TUBING... **MODEL NO. J52-0014**  
FOR 1-1/4" (32mm) O.D. TUBING... **MODEL NO. J52-1250**

- STAINLESS STEEL



REF. E

### PLATED STEEL KNURLED BUSHING

- PERMITS POSITIVE CONCEALED FASTENING

FOR 1" (25mm) O.D. TUBING  
**MODEL NO. J58-0100**  
16 GAUGE ONLY



FURNISHED WITH 1/4-20 TH'D

REF. F

### PLATED STEEL KNURLED BUSHING

- PERMITS POSITIVE CONCEALED FASTENING

FOR 1-1/4" (32mm) O.D. TUBING... **MODEL NO. J58-0014\***  
FOR 1-5/8" (41mm) O.D. TUBING... **MODEL NO. J58-0158\***  
\*16 GAUGE ONLY

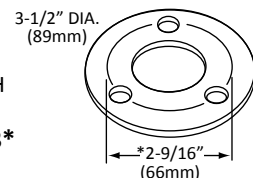


FURNISHED WITH 5/16-18 TH'D

REF. G

### STAINLESS STEEL ESCUTCHEON PLATE FLANGE

- 12 ga (2.6mm) STAINLESS STEEL W/ #4 SATIN FINISH
  - FOR 1-5/8" (40mm) O.D. TUBING
- WITH (3) 1/4" (6mm) DIA. HOLES **MODEL NO. J54-1583\***  
WITHOUT HOLES **MODEL NO. J54-1580**



Without Pot Rack



With Pot Rack and Hooks



## STAINLESS STEEL WALL SHELVING

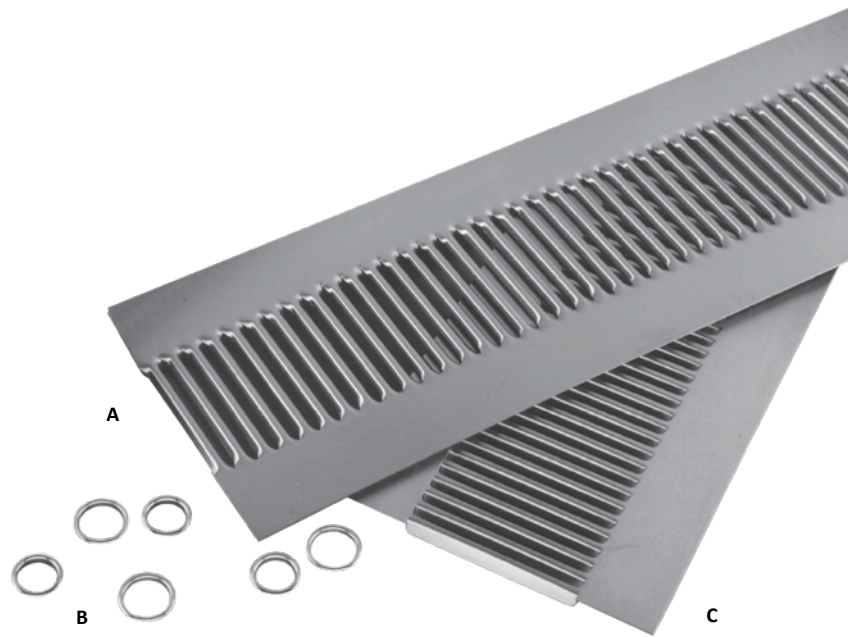
MODEL NO.	DESCRIPTION
WS1224SS	12" (30cm) D X 24" (61cm) W without Pot Rack
WS1236SS	12" (30cm) D X 36" (91cm) W without Pot Rack
WS1248SS	12" (30cm) D X 48" (123cm) W without Pot Rack
WS1260SS	12" (30cm) D X 60" (152cm) W without Pot Rack
WS1272SS	12" (30cm) D X 72" (183cm) W without Pot Rack
WS1224SS-PR	12" (30cm) D X 24" (61cm) W w/ Pot Rack and 2 hooks
WS1236SS-PR	12" (30cm) D X 36" (91cm) W w/ Pot Rack and 3 hooks
WS1248SS-PR	12" (30cm) D X 48" (123cm) W w/ Pot Rack and 4 hooks
WS1260SS-PR	12" (30cm) D X 60" (152cm) W w/ Pot Rack and 5 hooks
WS1272SS-PR	12" (30cm) D X 72" (183cm) W w/ Pot Rack and 6 hooks



## OPTIONAL ACCESSORIES

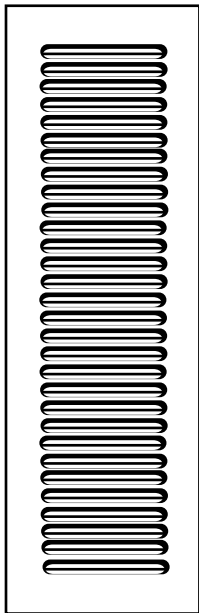
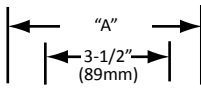
MODEL NO.	DESCRIPTION
J79-4115	Single Pot Hook, Stainless Steel
J77-4401	Double Pot Hook, Stainless Steel

# Drip Plate



## DRIP PLATE

REF. A



### STAINLESS STEEL DRIP PLATE ECONOMY TYPE

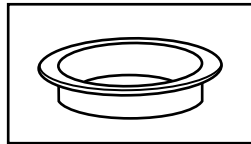
- ECONOMY DESIGN
- 24 ga (.6mm) WITH #4 FINISH

### ECONOMY TYPE STAINLESS STEEL DRIP PLATE

MODEL NO	"A"	LENGTH
J81-5206-6-C	6" (152mm)	72" (1829mm)
J81-5207-6-C	7" (178mm)	72" (1829mm)
J81-5209-6-C	9" (229mm)	72" (1829mm)

PACKAGED 5 PCS. PER BOX

REF. B



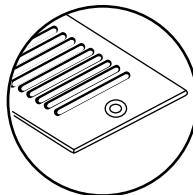
### NICKEL PLATED BRASS FINISHING RINGS

MODEL NO.  
J86-4300

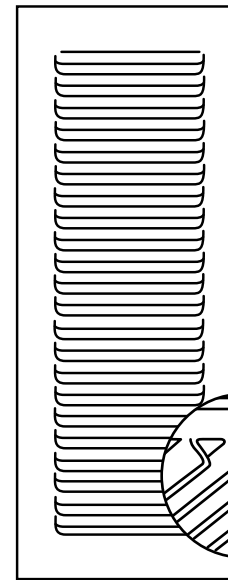
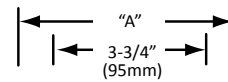
FOR 7/8" (22mm) DIA. HOLE

MODEL NO.  
J86-4301

FOR 1" (25mm) DIA. HOLE



REF. C



### STAINLESS STEEL DRIP PLATE NON-SPLASH

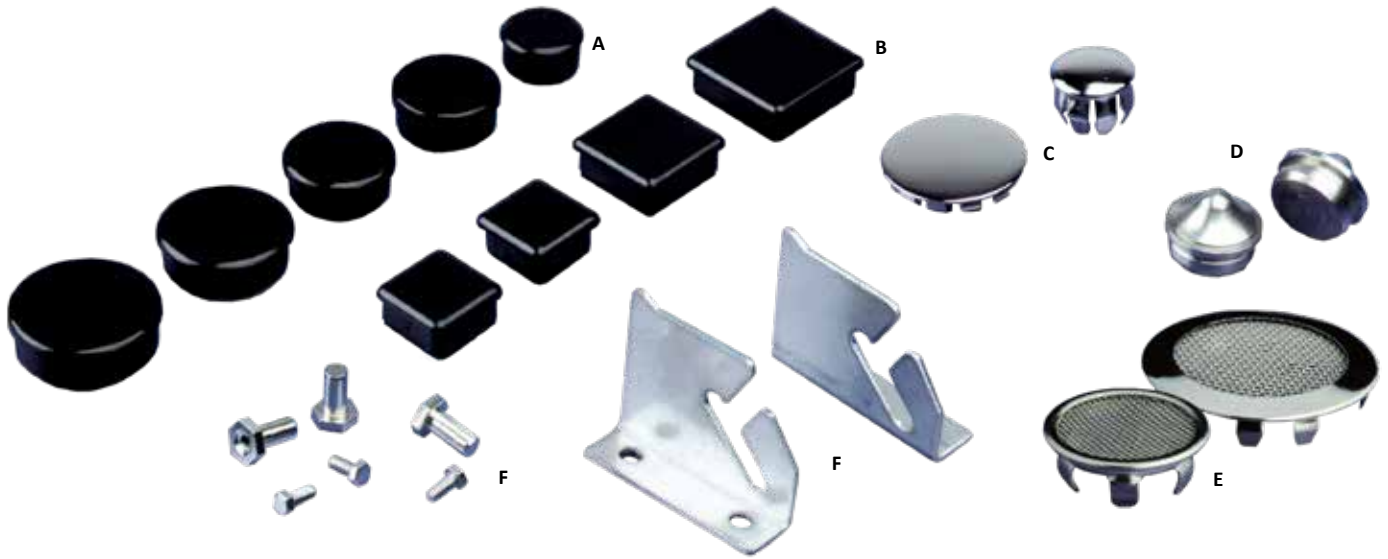
- HEAVY DUTY DESIGN
- 21 ga (.8mm) WITH #4 FINISH

### NON-SPLASH STAINLESS STEEL DRIP PLATE

MODEL NO.	"A"	LENGTH
J80-5107-6-C	7" (178mm)	72" (1829mm)
J80-5109-6-C	9" (229mm)	72" (1829mm)

PACKAGED 5 PCS. PER BOX

H



## END CAPS AND LID COVER BRACKETS

REF. A

### THERMOPLASTIC END CAPS FOR ROUND TUBING

MATERIAL: NYLON  
FINISH: GLOSS BLACK

MODEL NO.	O.D.	GAUGE
J16-1000-RD	1" (25mm)	18 (1.2mm)
J16-1250-RD	1-1/4" (32mm)	18 (1.2mm)
J16-2125-RD	1-1/4" (32mm)	16 (1.5mm)
J16-1500-RD	1-1/2" (38mm)	16 (1.5mm)
J16-1625-RD	1-5/8" (41mm)	16 (1.5mm)

REF. B

### THERMOPLASTIC END CAPS FOR SQUARE TUBING

MATERIAL: NYLON  
FINISH: GLOSS BLACK

MODEL NO.	O.D.	GAUGE
J16-1000-SQ	1" x 1" (25 x 25mm)	18 (1.2mm)
J16-1001-SQ	1" x 1" (25 x 25mm)	16 (1.5mm)
J16-1250-SQ	1-1/4" x 1-1/4" (32 x 32mm)	18 (1.2mm)
J16-1500-SQ	1-1/2" x 1-1/2" (38 x 38mm)	16 (1.5mm)

NOTE: \* INDICATES OUTSIDE DIMENSIONS

### REF. C NICKEL PLATED STEEL END CAPS FOR ROUND TUBING

MODEL NO.  
J16-0201

FOR 1" (25mm)  
O.D. TUBING

MODEL NO.  
J16-0158

FOR 1-5/8" (41mm)  
O.D. TUBING

### REF. D SOLID STAINLESS END CAPS MODEL NO. J16-0100

18 ga (1mm)  
FOR 1" (25mm) O.D. TUBING  
(WELD APPLICATION)

### REF. E SOLID STAINLESS STEEL SCREENED HOLE PLUGS

MODEL NO. J16-0201-SPSS  
FOR 1" (25mm) DIA. HOLE

MODEL NO. J16-0158-SPSS  
FOR 1-5/8" (41mm) DIA. HOLE

REF. F

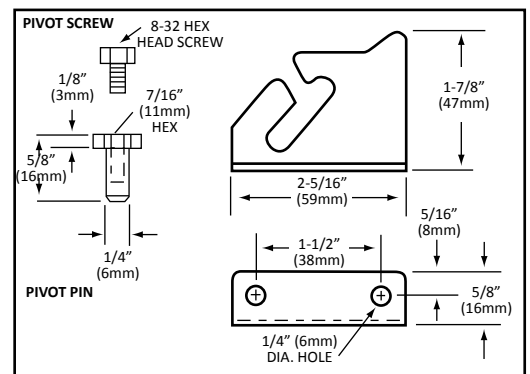
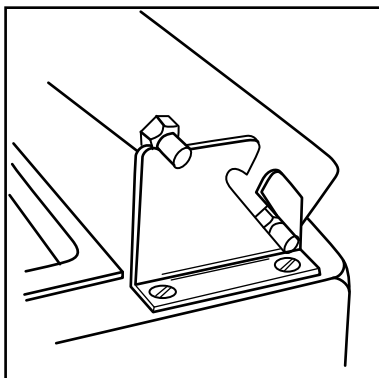
### STAINLESS STEEL LID COVER BRACKET ASSEMBLY

- EASY INSTALLATION
- LIFT-OFF DESIGN

CAN BE FASTENED TO STAINLESS STEEL LIDS OR PLASTIC BUBBLE COVERS. DESIGNED FOR EASY LIFT-OFF AND FOR HOLD-OPEN POSITION FOR EASE OF SERVING.

#### MODEL NO. J33-1532

ASSEMBLY CONSISTS OF RIGHT & LEFT HAND BRACKETS COMPLETE WITH 4 PIVOT PINS WITH SCREW.



FOR STAINLESS STEEL PIVOT PINS ORDER MODEL NO. J32-X001  
FOR STAINLESS STEEL PIVOT SCREWS ORDER MODEL NO. J32-X002



## SINK / TABLE / BAR ACCESSORIES

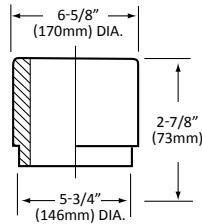
REF. A



### GREY SOLID RUBBER SCRAP BLOCK

FITS STANDARD 5-3/4" (146mm)  
DIA. OPENING

**MODEL NO. J92-9360**



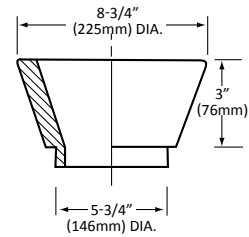
REF. B



### GREY SOLID RUBBER SCRAP BLOCK FUNNEL SHAPED

FITS STANDARD 5-3/4" (146mm)  
DIA. OPENING

**MODEL NO. J92-5000**



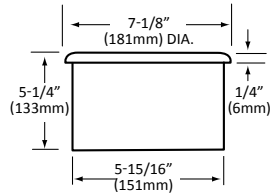
REF. C



### STAINLESS STEEL SCRAP CHUTE

FITS STANDARD 6" (152mm)  
DIA. OPENING

**MODEL NO. J92-1000**



### PLATED CAST IRON BOTTLE OPENER MODEL NO. T80-0485



REF. D



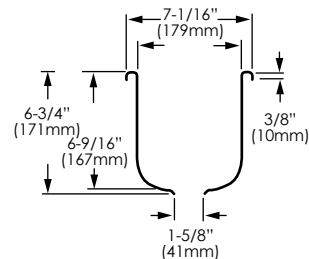
### STAINLESS STEEL DIPPERWELL ASSEMBLY

- FITS INTO 6" (152mm) DIA. OPENING
  - TYPE 18-8 STAINLESS STEEL INNER AND OUTER SHELL
  - 9-1/2" (241mm) OVERALL LENGTH
- COMPLETE WITH STAINLESS STEEL DRAIN AND 1-1/2" (38mm) O.D. X 4" (102mm) LONG BRASS NICKEL PLATED TAILPIECE

**MODEL NO. K30-1000**  
WITHOUT FAUCET

**MODEL NO. K30-1010**  
WITH FAUCET

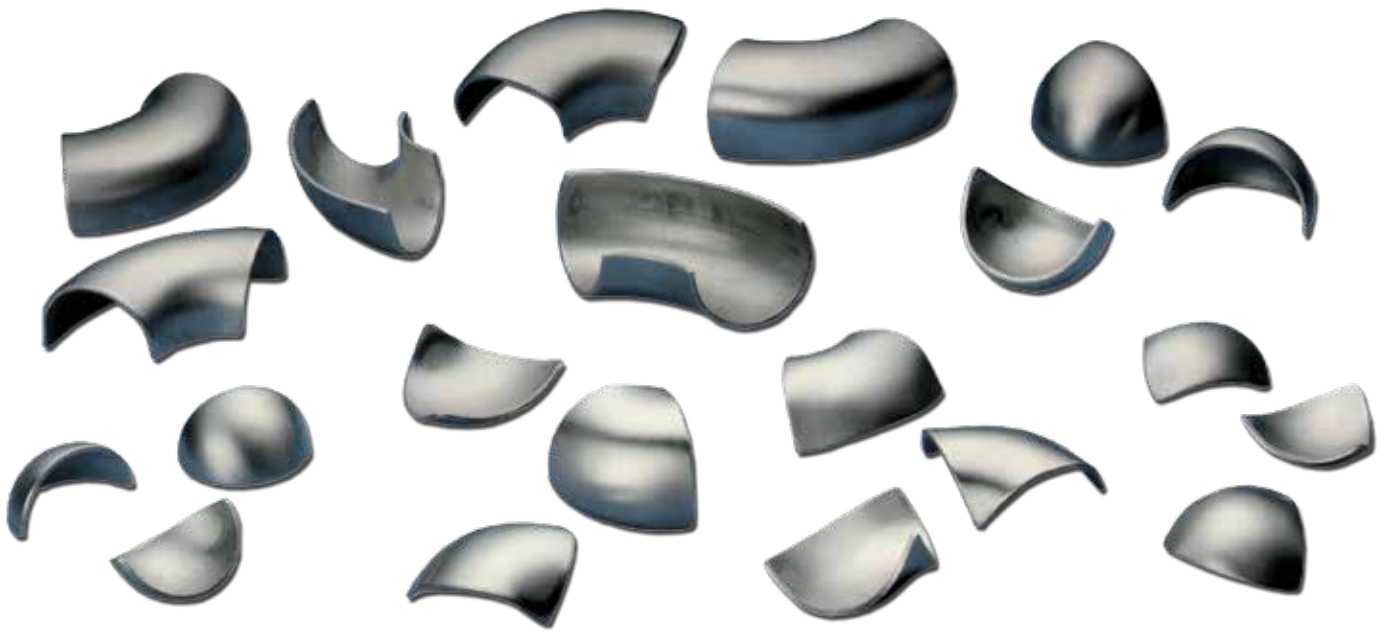
**MODEL NO. K22-3100**  
FAUCET ONLY



ALSO AVAILABLE AS INDIVIDUAL COMPONENTS  
1/2" NPS MALE INLET FURNISHED WITH 1/4" NPT  
MALE UNION TAILPIECE AND MOUNTING HARDWARE

H





## WELD-IN CORNER INSERTS

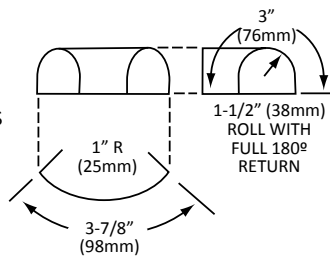
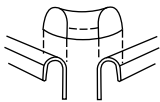
- IDEAL FOR STAINLESS STEEL SINKS, COUNTERS AND WORK TABLES

### STAINLESS STEEL COVE CORNER INSERT

14 ga (1.8mm)

**MODEL NO. J70-4701**

FOR NOMINAL 1-1/2" (38mm) ROLLS WITH 1" (25mm) INSIDE RADIUS

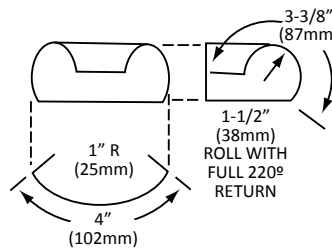
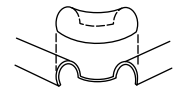


### STAINLESS STEEL COVE CORNER INSERT

14 ga (1.8mm)

**MODEL NO. J70-4691**

FOR NOMINAL 1-1/2" (38mm) ROLLS WITH 1" (25mm) INSIDE RADIUS



### STAINLESS STEEL BULL NOSE INSERT

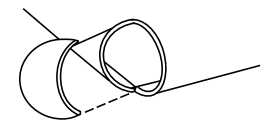
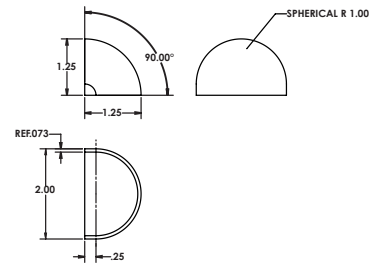
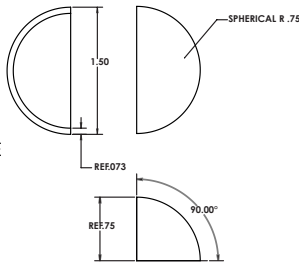
14 ga (1.8mm)

**MODEL NO. J72-4711**

1.5" (38mm) ROLL, 3/4" SPHERICAL RADIUS, .073 GAUGE

**MODEL NO. J72-4731**

2" (51mm) ROLL, 1" SPHERICAL RADIUS, .073 GAUGE



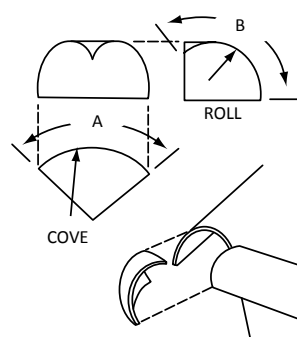
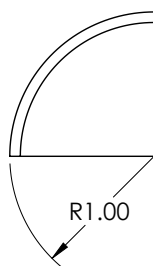
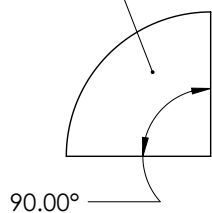
QUARTER SPHERES FOR NOMINAL 1-1/2" (38mm) AND 2" (51mm)

### STAINLESS STEEL TRIANGULAR INSERT

14 ga (1.8mm)

**MODEL NO. J70-4801**

FULL SPHERICAL R 1.00



### STAINLESS STEEL SQUARE CORNER INSERT

14 ga (1.8mm)

**MODEL NO. J74-4721**

1-1/2" (38mm) COVE

A=2-1/4" (57mm), B=2-5/16" (59mm)

**MODEL NO. J74-4723**

1-3/4" (44mm) COVE

A=2-7/8" (73mm), B=2-11/16" (66mm)

**MODEL NO. J74-4725**

1-5/8" (41mm) COVE

A=2-9/16" (65mm), B=2-1/2" (63mm)

**MODEL NO. J74-4730**

1-3/8" (35mm) COVE



Biodegradable  
100% Recyclable



MODEL NO. Q85-2016  
MODEL NO. Q85-2004

## Brite Gard™ STAINLESS STEEL CLEANER/PROTECTANT

- CLEANS, SHINES & PROTECTS
- DOES NOT LEAVE OILY RESIDUE
- ENVIRONMENTALLY FRIENDLY – USES MANUAL PUMP SPRAYER, NOT AEROSOLS
- VIRTUALLY ELIMINATES FINGERPRINTS & SMUDGES
  - SPECIFICALLY FORMULATED FOR USE ON INDOOR/OUTDOOR STAINLESS STEEL APPLIANCES
  - SAFE – USES FOOD GRADE INGREDIENTS

MODEL NO.	DESCRIPTION	WT. PER BOTTLE	BOX/CASE QTY
Q85-2004	Pump Spray	4 fl. oz. (118ml)	Each
Q85-2016	Pump Spray	16 fl. oz. (474ml)	Each

## Brite Gard® ALL PURPOSE WIPERS

- MADE WITH 25% RECYCLED CELLULOSE FIBERS
- PERFECT FOR HEAVY DUTY WET/DRY WIPING APPLICATIONS
- IDEAL FOR MOST METAL WORKING AND MESSY FLUID APPLICATIONS
- INTERFOLDS ARE PERFECT FOR JOBS THAT REQUIRE LARGE WIPERS
  - TWO TIMES STRONGER THAN THE COMPETITION
- COST EFFECTIVE ALTERNATIVE TO CLOTH TOWELS & RAGS
  - LOW LINT



MODEL NO. Q85-8000  
MODEL NO. Q85-8500

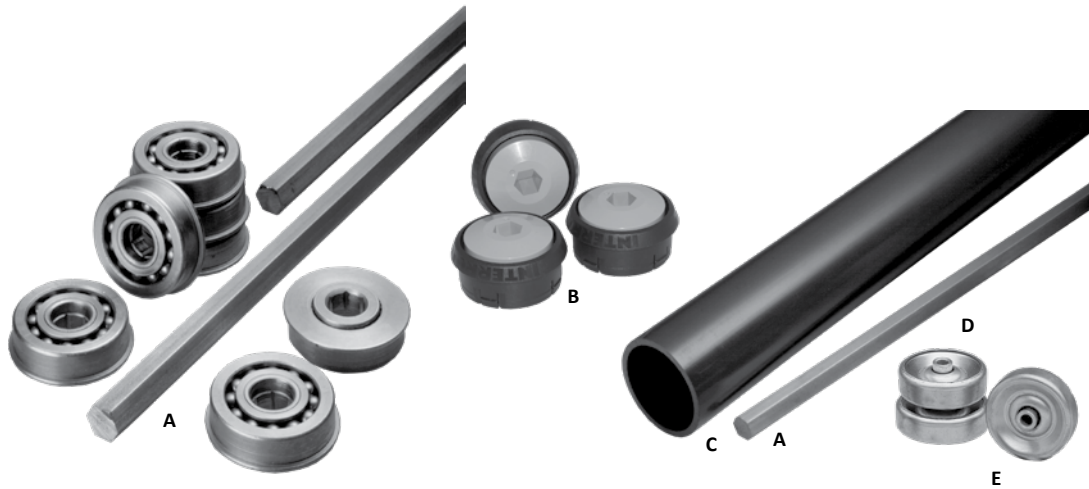
MODEL NO. Q85-7000  
MODEL NO. Q85-7500



HEAVY-WEIGHT QUARTERFOLD (60 count) MODEL NO. Q85-7000	LIGHT-WEIGHT QUARTERFOLD (90 count) MODEL NO. Q85-7500	SUPER STRENGTH INTERFOLD (126 count) MODEL NO. Q85-8000	LIGHT-WEIGHT INTERFOLD (135 COUNT) MODEL NO. Q85-8500
Sheet Size: 12-1/2" x 13" (138mm x 330mm)	Sheet Size: 12-1/2" x 13" (138mm x 330mm)	Sheet Size: 9-1/2" x 16-1/2" (241mm x 419mm)	Sheet Size: 9-1/2" x 16-1/2" (241mm x 419mm)
Sheet Per Case: 720	Sheet Per Case: 1080	Sheet Per Case: 1008	Sheet Per Case: 1080
Case Quantity: 12	Case Quantity: 12	Case Quantity: 8	Case Quantity: 8
Case Weight: 15lbs (7kg)	Case Weight: 15lbs (7kg)	Case Weight: 18lbs (8kg)	Case Weight: 20lbs (9kg)

H

# Roller Assemblies, Conveyor Roller Components and Wheels



## CONVEYOR ROLLER COMPONENTS

## CONVEYOR ROLLER COMPONENTS AND WHEELS

REF. A

### STAINLESS STEEL CONVEYOR COMPONENTS

#### STAINLESS STEEL CONVEYOR BEARING

FLANGED BALL BEARING WHEEL ASSEMBLY FOR 1-5/8" (41mm) O.D. 16 ga (1.5mm) TUBING

**MODEL NO. B29-0080**

#### STAINLESS STEEL HEX AXLE ROD

7/16" (11mm) SOLID HEX AXLE ROD AVAILABLE IN 6 ft (1.9m) LENGTHS

**MODEL NO. B80-0716**

REF. B

### PLASTIC CONVEYOR ROLLER BEARINGS

- STOCKED FOR 1.90" (48mm) O.D. TUBING
- MOLDED POLYPROPYLENE • DOUBLE LABYRINTH SEALS
- STAINLESS STEEL (18-8) BALLS • APPROVED FOR FOODSERVICE USE
  - MAY BE STEAM CLEANED
- OPERATES AT TEMPERATURES UP TO 150°F (66° C)

**MODEL NO.**  
IR-0312RD  
IR-0312HX  
IR-0375HX

**SHAFT SIZE**  
5/16" (8mm) DIA.  
5/16" (8mm) HEX  
7/16" (11mm) HEX

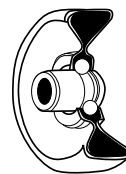
REF. C

### PVC ROUND TUBING (GRAY) FOR CONVEYOR ROLLERS

- 1.90" (48mm) O.D. FOR 1100 SERIES ROLLERS

**MODEL NO. IR-1190**  
4 ft (1220mm) LENGTH

REF. D

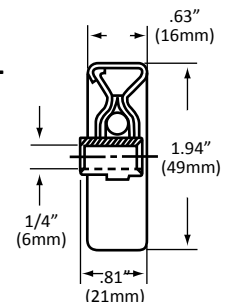


### STAINLESS STEEL WHEEL

**MODEL NO. IR-1061**

ZINC PLATED STEEL with OFFSET BUSHING

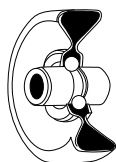
**MODEL NO. IR-2112**



REF. E

### STAINLESS STEEL and STEEL WHEELS

- IDEAL FOR DRAWER SLIDES AND CONVEYOR ASSEMBLIES • HEAT TREATED INNER AND OUTER RACEWAYS • ALL METAL CONSTRUCTION

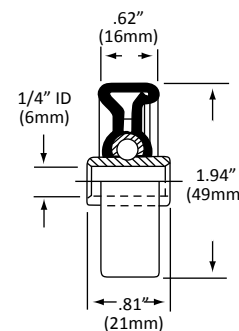


#### STAINLESS STEEL WHEEL

**MODEL NO. IR-0031**

#### STEEL WHEEL ZINC PLATED

**MODEL NO. IR-2263**



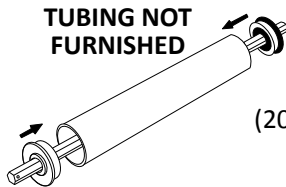


## CONVEYOR ROLLER ASSEMBLIES

### MADE TO ORDER COMPLETE ROLLER ASSEMBLIES

COMPLETE ROLLER ASSEMBLIES (TUBING AND SERIES 1100 PLASTIC ROLLER BEARINGS) ARE AVAILABLE FABRICATED TO INDIVIDUAL REQUIREMENTS.

THESE COMPLETE ASSEMBLIES PERMIT INDIVIDUAL SPECIFICATIONS OF TUBING DIAMETER AND MATERIAL, SHAFT MATERIAL, SHAFT SIZE AND A VARIETY OF MOUNTINGS. THE VARIABLES INCLUDE.



TUBING NOT  
FURNISHED

#### TUBING DIAMETERS .78, 1.18, 1.90

(20mm, 28mm, 39mm, 48mm)

#### TUBING MATERIALS PLASTIC (PVC), ALUMINUM AND STAINLESS STEEL

#### SHAFT MATERIALS CARBON STEEL, ALUMINUM AND STAINLESS STEEL

SHAFT SIZES  
FROM .192", .250" OR .312" DIA. AND 5/16" OR 7/16" HEX  
(5mm, 6mm, 8mm) (8mm or 11mm)

#### MOUNTINGS PLAIN, THREADED, TAPPED AND SPRING LOADED

NOTE: WE WELCOME YOUR INQUIRIES FOR SPECIFIC DESIGNS TO SATISFY YOUR INDIVIDUAL REQUIREMENTS. HOWEVER, NOT ALL COMBINATIONS ARE POSSIBLE. PLEASE CONTACT OUR SALES OFFICE FOR ASSISTANCE IN DESIGNING YOUR CUSTOM ROLLER ASSEMBLIES. ALLOW 4-6 WEEKS FOR DELIVERY OF COMPLETE ROLLER ASSEMBLIES.

## CUSTOM CONVEYOR ROLLER ORDER FORM

INDICATE ROLLER SPECIFICATIONS BELOW.  
NOTE: REFER TO THE MATRIX FOR AVAILABLE TUBING/SHAFT COMBINATIONS.

STANDARD LEAD TIME - 4 WEEKS ARO  
CUSTOM ROLLERS ARE NOT RETURNABLE.

QUANTITY: \_\_\_\_\_

TUBE DIAMETER (in): \_\_\_\_\_

0.62 \_\_\_\_\_  
0.75 \_\_\_\_\_  
0.78 \_\_\_\_\_  
1.12 \_\_\_\_\_  
1.18 \_\_\_\_\_  
1.90 \_\_\_\_\_

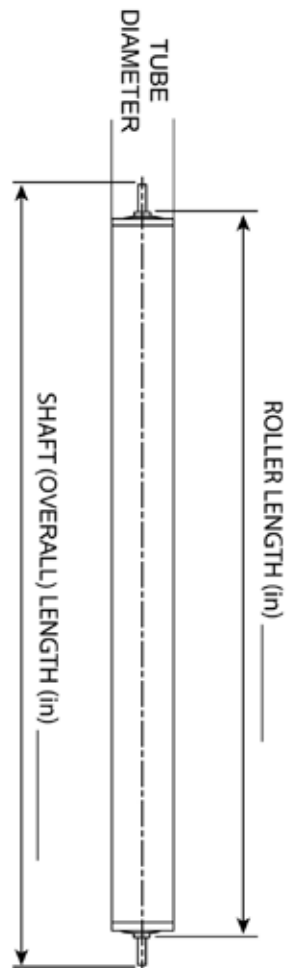
**TUBE MATERIAL:**  
STAINLESS STEEL \_\_\_\_\_  
GRAY PVC \_\_\_\_\_  
ANODIZED ALUMINUM \_\_\_\_\_  
MILL FINISH ALUMINUM \_\_\_\_\_  
GALVANIZED STEEL \_\_\_\_\_

**SHAFT TYPE:**  
SPRING LOADED \_\_\_\_\_  
THREADED \_\_\_\_\_  
END DRILLED AND TAPPED \_\_\_\_\_

**SHAFT THREAD SIZE:**  
10-32 \_\_\_\_\_  
1/4-20 \_\_\_\_\_  
5/16-18 \_\_\_\_\_

**SHAFT MATERIAL:**  
CARBON STEEL \_\_\_\_\_  
STAINLESS STEEL \_\_\_\_\_

**SHAFT SIZE:**  
.192 DIA. \_\_\_\_\_  
.250 DIA. \_\_\_\_\_  
.312 DIA. \_\_\_\_\_  
.312 HEX \_\_\_\_\_  
.437 HEX \_\_\_\_\_



Tube Diameter	Tube Material	Wall Thickness	0.192" round C/S or S/S spring loaded	0.192" round C/S or S/S threaded 10-32	1/4" round C/S or S/S or aluminum spring loaded	1/4" round C/S or S/S threaded 1/4 - 20	5/16" round C/S or S/S spring loaded	5/16" round C/S or S/S threaded 5/16 - 18	5/16" hex C/S or S/S spring loaded	3/8" hex C/S spring loaded	7/16" hex C/S or S/S spring loaded	7/16" hex C/S or S/S end drilled and tapped 1/4 - 20 x 5/8 deep
0.62"	Polished S/S	.035"	•	•								
0.75"	Polished S/C	.035"			•	•						
0.75"	Anodized Aluminum	.035"			•	•						
0.78"	Gray PVC	.060"			•	•						
1.12"	Anodized Aluminum	.050"	•	•	•	•						
1.18"	Gray PVC	.070"	•	•	•	•						
1.18"	Mill Finish Aluminum	.065"	•	•	•	•						
1.9"	Galvanized Carbon Steel	.065"	•	•	•	•						
1.9"	Polished S/S	.065"	•	•	•	•						
1.9"	Gray PVC	.11"	•	•	•	•						

COMPANY NAME: \_\_\_\_\_

CONTACT: \_\_\_\_\_

PHONE: \_\_\_\_\_

EMAIL: \_\_\_\_\_

STREET: \_\_\_\_\_

CITY/STATE/ZIP: \_\_\_\_\_

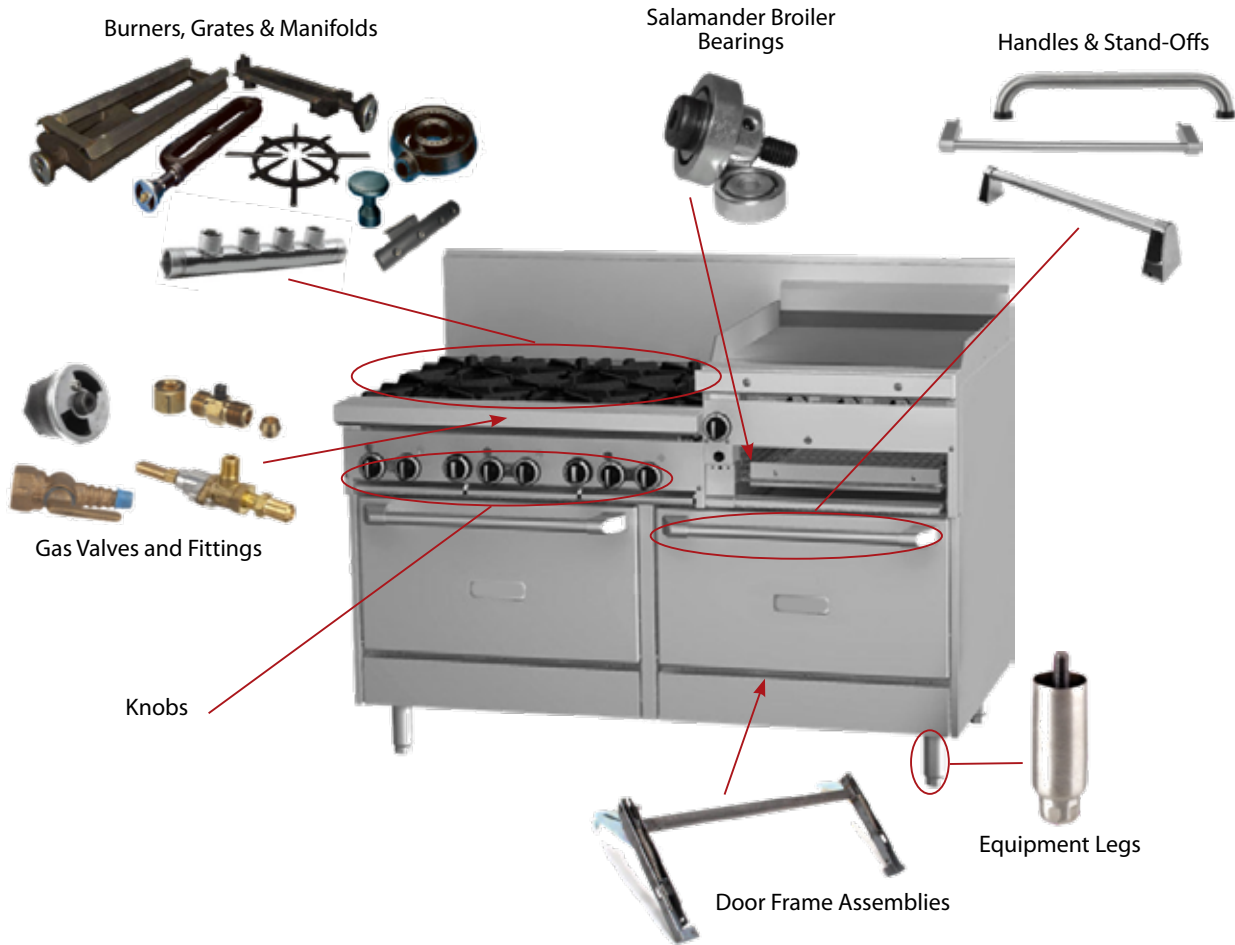
P.O. #: \_\_\_\_\_



**COMPONENT  
HARDWARE**

1890 Swarthmore Avenue • PO Box 2020 • Lakewood, NJ 08701  
Tel 800-526-3694 • 732-363-4700 • Fax 732-364-8110  
www.componenthardware.com

ORD-CHG-CONTROL Rvw/11/2015



GAS & RING BURNERS	I219
GAS BURNER COMPONENTS	I220
HOT FOOD WELLS	I221
OVEN LATCHES & HINGES	I221
FRYER SPLASH GUARD	I221

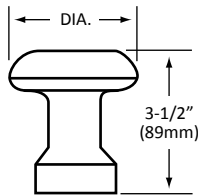




## CAST IRON GAS BURNERS

## CAST IRON RING BURNER ASSEMBLIES

### MUSHROOM BURNERS WITH INTEGRAL AIR MIXING CHAMBER



REF.	MODEL NO.	DIA.	BTU/HR	REC. FOR
A	G22-4310	3" (76mm)	5,000	1-3 gal (3.8-11 lit)
B	G22-4320	4" (102mm)	7,000	3-4 gal (11-15 lit)

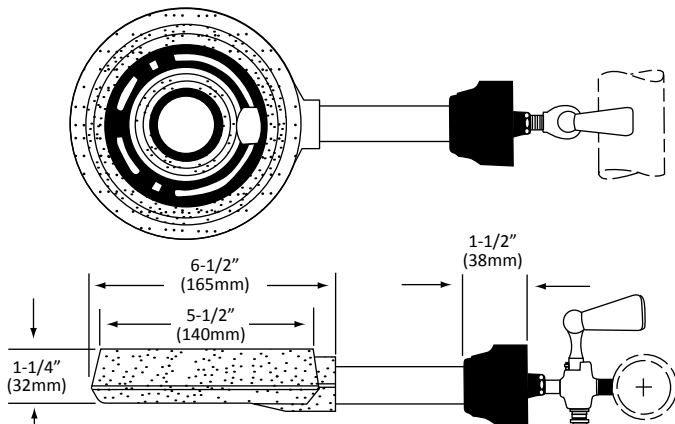
NOTE: ORDER AIR MIXING PLATE SEPARATELY AS G44-4360

### REF. C RING BURNER

CAST IRON RING BURNER ASSEMBLY WITH VALVE, AIR MIXING CHAMBER AND RANGE COCK HANDLE

- 22,000 BTU PER HOUR • 6" BURNER DIAMETER
- INCLUDES AIR MIXING CHAMBER AND SLIP FIT BURNER VALVE WITH INSULATED RANGE COCK HANDLE

**MODEL NO. G12-6550**  
RATING: 22,000 BTU/HR



NOTE: MANIFOLD AND NIPPLE (3/4" N.P.T.) NOT SUPPLIED  
6" RING BURNER ONLY MODEL NO. G12-X001

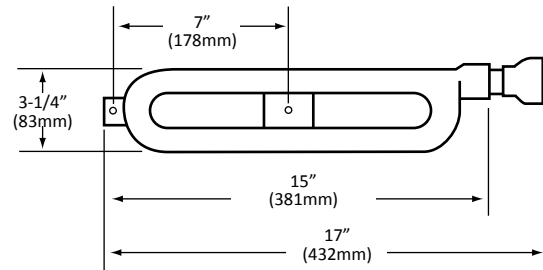
REF. D

### LOOP BURNER

CAST IRON END INLET LOOP BURNER WITH AIR MIXING CHAMBER AND ORIFICE

- DURABLE BLACK CAST IRON CONSTRUCTION
- 17" L X 3-1/2" W OVERALL • 30,000 BTU/HR
- FURNISHED WITH AIR MIXING CHAMBER, ADJUSTABLE AIR MIXING COVER PLATE AND ORIFICES FOR BOTH LP AND NATURAL GAS

**MODEL NO. G27-1250**



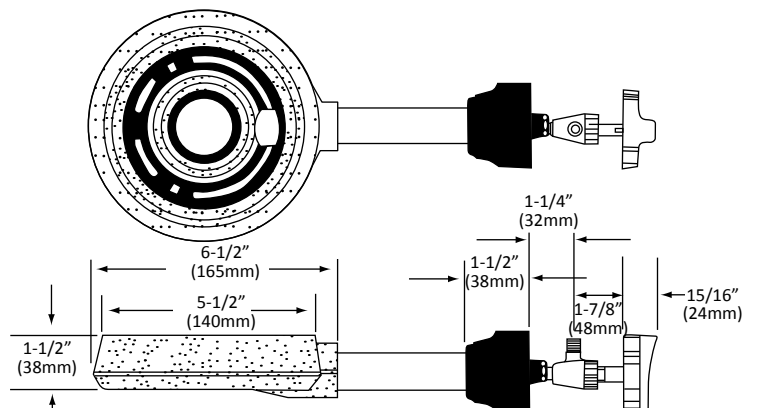
REF. E

### RING BURNER

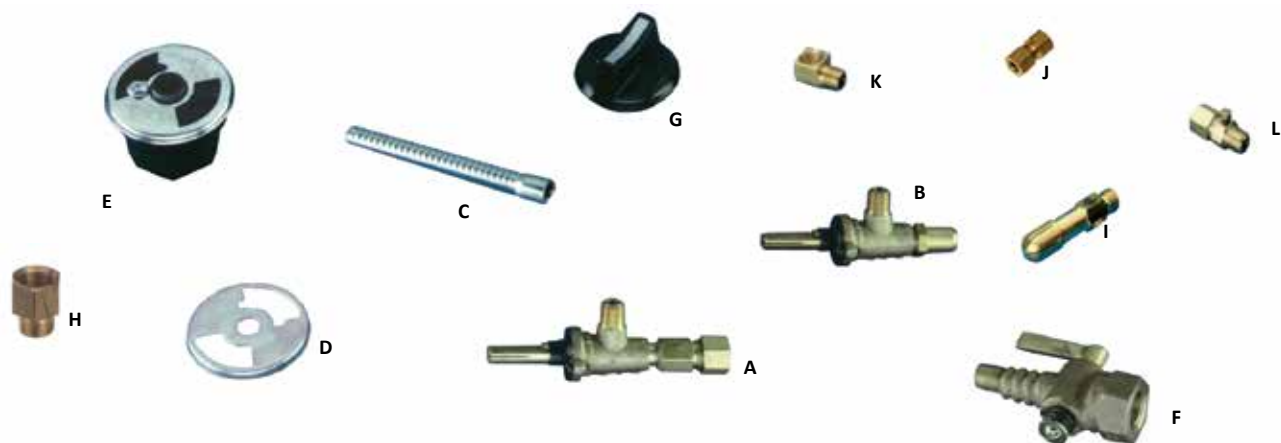
CAST IRON RING BURNER ASSEMBLY WITH VALVE, AIR MIXING CHAMBER AND BLACK CONTROL KNOB

- 22,000 BTU PER HOUR • 6" BURNER DIAMETER
- INCLUDES AIR MIXING CHAMBER, SLIP FIT BURNER VALVE AND BLACK THERMOPLASTIC CONTROL KNOB

**MODEL NO. G10-6550**  
RATING: 22,000 BTU/HR



NOTE: MANIFOLD AND NIPPLE (3/4" N.P.T.) NOT SUPPLIED



REF. A

## BURNER VALVES

1/8" NPT MALE INLET BRASS COMPRESSION FIT BURNER VALVE

- 1/8" N.P.T. MALE INLET
- FOR 5/16" OD TUBING

**MODEL NO. G40-6451**

REF.B

## BURNER VALVES

1/8" NPT MALE INLET BRASS BURNER VALVE WITH ADJUSTABLE SLIP FIT ORIFICE

- FOR LP OR NATURAL GAS • 1/8" NPT MALE INLET
- #72 TO #42 ADJUSTABLE ORAFICE

**MODEL NO. G40-6452**

REF. C

## BURNER VALVE EXTENSION

ZINC PLATED STEEL BURNER VALVE EXTENSION

- PERMITS UP TO 3" EXTENSION OF THE BURNER VALVE POST
- FITS MOST STANDARD, SLOTTED, D-SHAPED BURNER VALVE HANDLES

**MODEL NO. G48-0005**

REF. D

## AIR MIXING PLATE

ZINC PLATED STEEL AIR MIXING PLATE

- FOR USE WITH G46 SERIES AIR MIXING CHAMBERS

**MODEL NO. G44-4360**

REF. E

## AIR MIXING CHAMBER

CAST IRON AIR MIXING CHAMBER WITH AIR MIXING PLATE FOR 1/8" NPT THREADED ORIFICE

- 1/8" NPT INLET • 3/4" NPT OUTLET • SUPPLIED WITH ZINC PLATED ADJUSTABLE AIR MIXING PLATE AND SCREW

**MODEL NO. G46-4360**

CAST IRON AIR MIXING CHAMBER WITH AIR MIXING PLATE FOR SLIP FIT ORIFICE

- 7/16" SLIP FIT INLET • 3/4" NPT OUTLET • SUPPLIED WITH ZINC PLATED ADJUSTABLE AIR MIXING PLATE AND SCREW

**MODEL NO. G46-4361**

REF. F

## BURNER VALVE

1/8" NPT MALE INLET X 3/8" NPT FEMALE OUTLET BRASS BURNER VALVE WITH BRASS HANDLE

- 1/8" N.P.T. MALE INLET • 3/8" N.P.T. FEMALE

**MODEL NO. G38-5330**

REF. G

## VALVE HANDLE

BLACK THERMOPLASTIC BURNER CONTROL KNOB

- FITS MOST STANDARD .35" DIAMETER D-STEM BURNER VALVES
- KNOB DOES NOT INCLUDE ANY INDICATOR MARKINGS

**MODEL NO. G50-5420**

REF. H

## BRASS THREADED ORIFICE

1/8" NPT FEMALE X 1/8" NPT MALE BRASS THREADED ORIFICE

- 1/8" NPT FEMALE INLET X 1/8" NPT MALE OUTLET
- FURNISHED WITH #70 ORIFICE HOLE
- CONSULT LOCAL GAS UTILITY COMPANY FOR RECOMMENDED ORIFICE HOLE DIAMETER FOR THE TYPE OF FUEL, FEED PRESSURE AND ATMOSPHERIC PRESSURE BEING USED

**MODEL NO. G36-4370**

REF. I

## JET BURNER, BRASS

- FOR USE WITH LP GAS • #77 ORIFICE
- 7/16-24 THREAD • 2-1/16" LONG

**MODEL NO. G28-6491**

REF. J

## COUPLING, BRASS

1/8" N.P.T. FEMALE INLET FOR 5/16" (8mm) O.D. TUBING

**MODEL NO. G32-6470**

REF. K

## ELBOW, BRASS

1/8" N.P.T. FOR USE WITH G28-6491

**MODEL NO. G30-6480**

REF. L

## PILOT VALVE, BRASS ADJUSTABLE

1/8" N.P.T. MALE INLET FOR 1/4" (6mm) O.D. TUBING

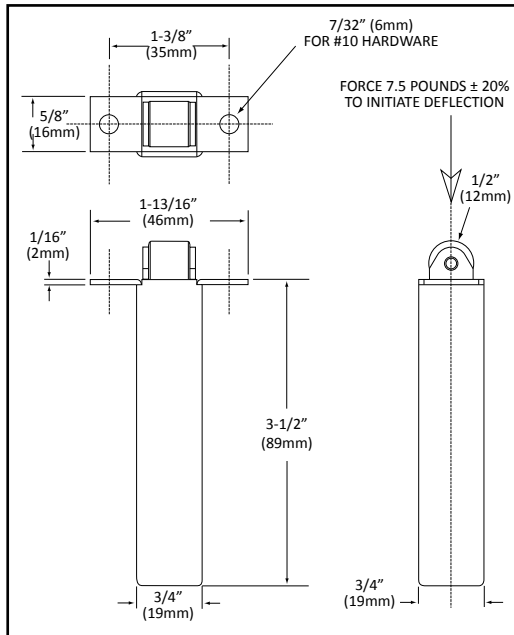
**MODEL NO. G34-6460**



## LATCH ASSEMBLY

MODEL NO. M23-5000

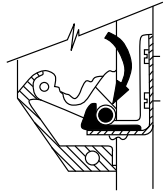
- SPRING LOADED TO POSITIVELY HOLD DOOR CLOSED
  - LIQUID TIGHT-WELDED CONSTRUCTION
  - LIFE CYCLE TESTED FOR OVER 50,000 CYCLES
    - LONG LIFE BRASS ALLOY ROLLERS
    - STABLE TWO ROLLER DESIGN
  - NON MAGNET-POSITIVE MECHANICAL
    - STAINLESS STEEL HOUSING
- PRE-SET TENSION-NO ADJUSTMENT REQUIRED
- CAN BE MOUNTED IN DOOR FRAME OR DOOR IN ANY ORIENTATION
- CONTINUOUS OPERATING TEMPERATURE: 400°F
  - MAX TEMPERATURE: 600°F



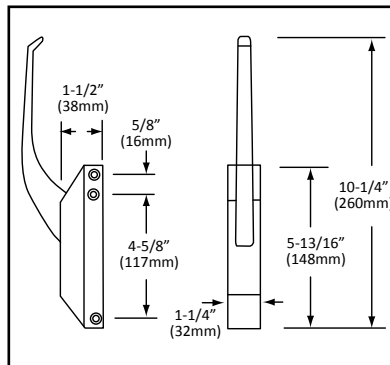
## SINGLE ACTION EDGEMOUNT OVEN LATCHES

SINGLE ACTION DESIGN FOR OVEN USE. FURNISHED WITH HEAT RESISTANT BRONZE ROLLER AND INSULATED HANDLE.

MODEL NO. R35-3105-X



SINGLE ACTION FEATURES POSITIVE PRESSURE SEAL.



### SPECIFICATIONS:

**CASE & HANDLE:** DIE CAST METAL  
**STRIKE PLATE:** PLATED STEEL  
**FINISH:** CHROME PLATE DRILLED AND COUNTERSUNK FOR NO. 10 SCREWS



## NON-RISE / ADJUSTABLE HIGH TEMP HINGE

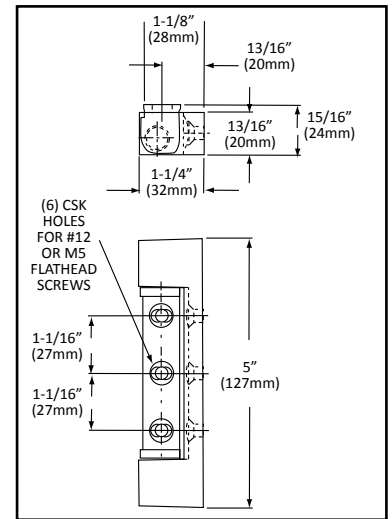
FOR HEATED CABINETS & COMMERCIAL OVENS

MODEL NO. R42-2843\*

- RATED TO 500°F (260°C) • NON- HANDED
- SOLID BRASS FORGED CONSTRUCTION SPECIFICALLY DESIGNED FOR HIGH TEMPERATURE USE ON CABINETRY AND OVENS WHERE SURFACE TEMPERATURE IS A CONCERN
  - MOUNTING HOLE LOCATIONS ARE INTERCHANGEABLE WITH COMPETITORS' HINGES
- NON-RISE FUNCTION ALLOWS FOR EASY DOOR SWING WITHOUT CONCERN FOR DOOR RISE
- SERRATED ADJUSTING PLATE ALLOWS FOR QUICK AND EASY DOOR ADJUSTMENT TO COMPENSATE FOR DOOR SAG
- CHROME PLATED CONTEMPORARY STYLING

1-1/8" (28mm) OFFSET

\*OPTIONAL POWER SPRING CONVERSION KIT MODEL NO. R42-2800 AVAILABLE - SEE PG B46



ADJUSTMENT PLATE PERMITS 3/16" (5mm) ADJUSTMENT DRILLED AND COUNTERSUNK FOR NO.10 SCREWS

## HOT FOOD WELLS

- ALL STAINLESS STEEL • STANDARD 12 X 20 SIZE
- AVAILABLE WITH OR WITHOUT DRAIN HOLE



REF.	MODEL NO.	DIMENSIONS	DESCRIPTION
A	S82-1220	22" x 14" x 6"	No Drain
B	S82-1220-DR	21.5" x 13.5" x 6"	With Drain Hole
Not Shown	S82-1220-DRA	21.5" x 13.5" x 6"	With Strainer Drain
Not Shown	S82-1220-SPSS	12" x 20"	No Drain, 20 Gauge, Type 304



## FRYER SPLASH GUARD

- STAINLESS STEEL
- UNIVERSAL DESIGN

MODEL NO. FRY90-1000

# FABRICATION SUPPLIES



POLISH & CLEANING PRODUCTS	J223	TAPES, BRAKE FILM & PADS	J233
COMPOUNDS & SEALERS	J224	PAINT, SPRAYS & FOGGERS	J234
WELD STUDS, FASTENERS & RIVETS	J225		
PORTABLE STUD WELDER	J226		
ABRASIVE DISCS & PADS	J227		
CARTRIDGE ROLLS & MOUNTED STONES	J228		
BRUSHES, TOOLS & MARKING PENS	J229		
TAPS, DRILLS & SAW BLADES	J230		
DRILL BIT DECIMAL EQUIVALENTS	J231		
TAP DRILL SIZES	J232		



REF. A

## BRITE GARD™ STAINLESS STEEL CLEANER/PROTECTANT

- CLEANS, SHINES & PROTECTS • SPECIFICALLY FORMULATED FOR USE ON INDOOR/OUTDOOR STAINLESS STEEL APPLIANCES
- SAFE – USES FOOD GRADE INGREDIENTS • VIRTUALLY ELIMINATES FINGERPRINTS & SMUDGES • ENVIRONMENTALLY FRIENDLY – USES MANUAL PUMP SPRAYER, NOT AEROSOLS

MODEL NO.	DESCRIPTION	UNIT PACK
Q85-2004	4 oz Bottle	Each
Q85-2016	16 oz Bottle	Each

REF. C

## SHEILA SHINE® STAINLESS STEEL POLISH AND SURFACE PRESERVATIVE

- ECONOMICAL • CLEANS, POLISHES, PROTECTS
- PRESERVES SURFACES AGAINST DETERIORATION
- RESISTS FINGERPRINTS AND STREAKING
  - IDEAL FOR FORMICA SURFACES
- G.S.A. APPROVED • U.S.D.A. AUTHORIZED

MODEL NO. Q85-1010  
10 oz (283g) AEROSOL CAN

MODEL NO. Q85-1012  
ONE gal (3.7 lit) CONTAINER

REF. B

## BRITE GARD® ALL PURPOSE WIPERS



- MADE WITH 25% RECYCLED CELLULOSE FIBERS • PERFECT FOR HEAVY DUTY WET/DRY WIPING APPLICATIONS
- IDEAL FOR MOST METAL WORKING AND MESSY FLUID APPLICATIONS • INTERFOLDS ARE PERFECT FOR JOBS THAT REQUIRE LARGE WIPERS
- TWO TIMES STRONGER THAN THE COMPETITION • COST EFFECTIVE ALTERNATIVE TO CLOTH TOWELS & RAGS • LOW LINT

HEAVY-WEIGHT QUARTERFOLD (60 count) MODEL NO. Q85-7000	LIGHT-WEIGHT QUARTERFOLD (90 count) MODEL NO. Q85-7500	SUPER STRENGTH INTERFOLD (126 count) MODEL NO. Q85-8000	LIGHT-WEIGHT INTERFOLD (135 COUNT) MODEL NO. Q85-8500
Sheet Size: 12-1/2" x 13" (138mm x 330mm)	Sheet Size: 12-1/2" x 13" (138mm x 330mm)	Sheet Size: 9-1/2" x 16-1/2" (241mm x 419mm)	Sheet Size: 9-1/2" x 16-1/2" (241mm x 419mm)
Sheet Per Case: 720	Sheet Per Case: 1080	Sheet Per Case: 1008	Sheet Per Case: 1080
Case Quantity: 12	Case Quantity: 12	Case Quantity: 8	Case Quantity: 8
Case Weight: 15lbs (7kg)	Case Weight: 15lbs (7kg)	Case Weight: 18lbs (8kg)	Case Weight: 20lbs (9kg)





REF. A

## SILICONE SEALER

SILICONE SEALANT 10.3 oz (305ml) CARTRIDGE



- FITS ALL STANDARD CAULKING GUNS
- F.D.A APPROVED • U.L. RECOGNIZED
- MEETS F.D.A. EXTRACTION REQUIREMENT NO. 21 CFR177.2600
- SUPPLIED WITH A REMOVABLE TIP

MODEL NO.	COLOR	MAXIMUM SERVICE TEMP.
M90-1010	Clear	392°F (200°C)
M90-1012	Aluminum	392°F (200°C)
M90-1014	White	392°F (200°C)
M90-1016	Black	392°F (200°C)
M90-1018	Hi Temp Red	500°F (315°C)

ALSO AVAILABLE IN 3 oz (83g) TUBES

CLEAR: M90-0310 ALUMINUM: M90-0312

WHITE: M90-0314 HIGH TEMP RED: M90-0318

PACKAGED 20 PER PACK

5 gal CLEAR (19 lit): MODEL NO. M90-5012

REF. B

## THERMAL MASTIC HEAT TRANSFER COMPOUND

- REPLACES SOLDER FOR HEAT TRANSMISSION
- STABLE AT ALL WORKING TEMPERATURES

Thermal mastic is used wherever rapid heat transmission is desired between coils and liners, between liquid and suction line heat exchangers.

**MODEL NO. Q77-1000 THERMAL MASTIC COATING**  
10.3 Oz. (305ml) TUBE CARTRIDGE

**MODEL NO. Q77-1240 THERMAL MASTIC COATING**  
1 GALLON (3.7 LITER) CONTAINER

**MODEL NO. Q77-1250 THERMAL MASTIC COATING**  
5 GALLON (19 LITER) CONTAINER

**MODEL NO. Q77-1260 THERMAL MASTIC COATING**  
53 GALLON (200 LITER) CONTAINER

REF. C

## 10.3 Oz. (305ml.) CAULKING GUN

- BLUE PAINTED STEEL CONSTRUCTION INCLUDES METAL ROD FOR CLEARING HARDENED PLUGS OR PIERCING METAL FOIL SEAL ON TUBES
- FURNISHED WITH INTEGRAL BLADE TO CUT TIP OF TUBE
- QUICKRELEASE TAB ON HANDLE IMMEDIATELY RELEASES PRESSURE ON BASE OF TUBE TO STOP FLOW

**MODEL NO. Q99-1000**  
THERMAL MASTIC CAULKER

REF. D

## LATEX SOUND DEADENER



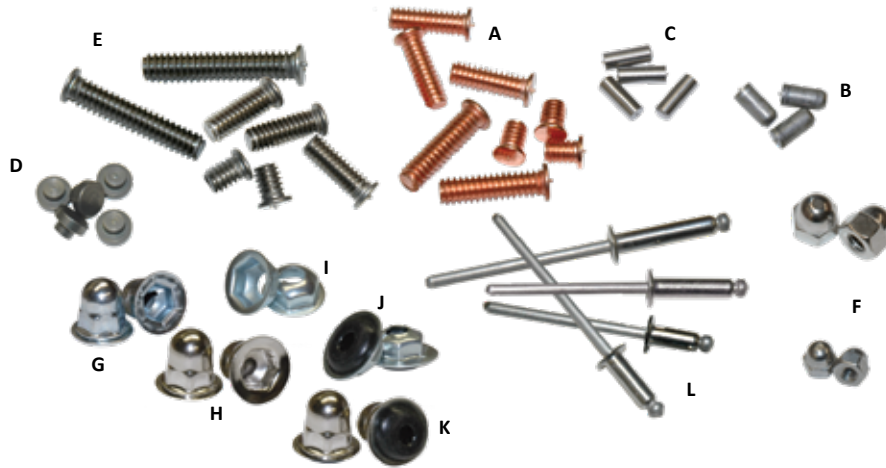
- FOR SHEET METAL RESONANCE, DAMPING AND NOISE CONTROL, SMOOTH FLOWING LATEX SOUND DEADENER IS PREPARED SPECIFICALLY FOR BRUSH AND SPRAY APPLICATION. MATERIAL IS NON-AGING, DOES NOT BECOME BRITTLE AND MAY BE PAINTED WHEN DRY.

COLOR: LIGHT GRAY

**MODEL NO. Q75-1366 ONE GALLON (3.7 liter) CONTAINER**  
**MODEL NO. Q75-1366-DR 53 GALLON (200 liter) DRUM**

NOTE: ONE GALLON (3.7 LITER) COVERS APPROXIMATELY 30-50 SQ. FT. (2.8-4.6 SQ. METERS)





**REF. A  
COPPER FLASHED  
WELD STUDS CD TYPE**

MODEL NO.	SIZE	LENGTH
Q36-1010	10-24	3/8" (9mm)
Q36-1012	10-24	1/2" (13mm)
Q36-1013	10-24	5/8" (16mm)
Q36-1014	10-24	3/4" (19mm)
Q36-1018	10-24	1-1/2" (38mm)
Q36-1310	1/4-20	3/8" (9mm)
Q36-1312	1/4-20	1/2" (13mm)
Q36-1314	1/4-20	3/4" (19mm)
Q36-1316	1/4-20	1" (25mm)

NOTE: OTHER SIZES (IN QUANTITY)

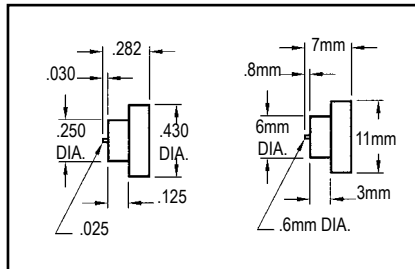
**THREADLESS WELD STUDS  
18-8 STAINLESS STEEL**

**REF. B  
MODEL NO. Q37-1412**  
1/4" DIA. X 1/2" LG.  
(6mm DIA. X 13mm LG.)

**REF. C  
MODEL NO. Q37-3162**  
3/16" DIA. X 1/2" LG.  
(4.7mm DIA. X 13mm LG.)

**REF. D  
STAINLESS KEYHOLE  
WELD STUDS**

**MODEL NO. Q37-0250**



**REF. E  
STAINLESS STEEL WELD STUDS  
CD TYPE  
18-8 STAINLESS STEEL**

MODEL NO.	SIZE	LENGTH
Q36-1110	10-24	3/8" (9mm)
Q36-1112	10-24	1/2" (13mm)
Q36-1113	10-24	5/8" (16mm)
Q36-1114	10-24	3/4" (19mm)
Q36-1116	10-24	1" (25mm)
Q36-1410	1/4-20	3/8" (9mm)
Q36-1412	1/4-20	1/2" (13mm)
Q36-1414	1/4-20	3/4" (19mm)
Q36-1416	1/4-20	1" (25mm)

NOTE: OTHER SIZES (IN QUANTITY)

**REF. F  
STAINLESS STEEL CAP NUTS**

MODEL NO.	SIZE	INTERNAL SCREW HEIGHT CLEARANCE
Q31-1024	10-24	5/16" (8mm)
Q31-1420	1/4-20	3/8" (9.5mm)

**COMBINATION LOCKNUT  
HEX NUT/LOCKWASHER**

SIZE	REF.	MODEL NO.	SIZE	MATERIAL
	G**	Q34-1024	10-24	Zinc Plated
	H**	Q34-2024	10-24	Bright Nickel
	I	Q32-1024	10-24	Zinc Plated
	J	Q33-1024*	10-24	Zinc Plated
	K**	Q33-2024*	10-24	Bright Nickel
	I	Q32-1420	1/4-20	Zinc Plated

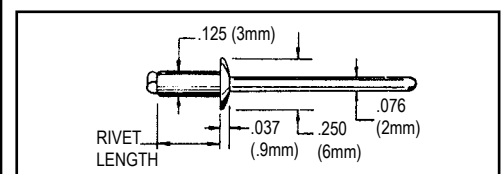
\*WITH RUBBER SEALING UNDERSIDE

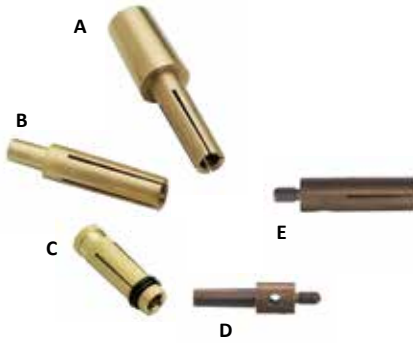
\*\*INTERNAL SCREW HEIGHT CLEARANCE OF 1/2" (13mm)

**REF. L  
STAINLESS STEEL BLIND RIVETS  
1/8" (3mm) DIA. DOMED HEAD**

MODEL NO.	GRIP RANGE	RIVET LENGTH
Q45-4200	.062 - .125 (1.5mm - 3mm)	.275 (7mm)
Q45-4300	.126 - .187 (3mm - 5mm)	.337 (8.5mm)
Q45-4400	.188 - .250 (5mm - 6mm)	.400 (10mm)
Q45-4600	.315 - .375 (8mm - 9.5mm)	.525 (13mm)
Q45-4800	.376 - .500 (9.5mm - 13mm)	.600 (15mm)

**300 SERIES  
STAINLESS STEEL RIVETS AND MANDRELS  
WITH BRIGHT PASSIVATED FINISH**





## STUD WELDING COLLETS

• CASE HARDENED

REF	MODEL NO.	USED WITH:
A	*QTC-1024	10-24 Weld Stud
A	*QTC-1420	1/4-20 Weld Stud
A	*QTC-0716	7/16 Weld Stud
B	QIC-1024	10-24 Weld Stud
B	QIC-1420	1/4-20 Weld Stud
C	QOR-1024	10-24 Weld Stud
C	QOR-1420	1/4-20 Weld Stud
C	QOR-0716	7/16 Keyhole Stud
D	QBC-1024	10-24 Threaded Base Stud Welding Collet
E	QBC-0716	10-24 Threaded Base Stud Welding Collet

\*MODEL NO'S QTC-1024, QTC-1420, QTC-0716 AND QTC-0012 (REF. A) FIT PORTABLE STUD WELDERS NO. Q36-0001 AND Q36-0028.



## PORTABLE STUD WELDERS

MODEL NO. Q36-0001

- PORTABLE, LIGHTWEIGHT, RUGGED AND EASY TO USE, PERFECT FOR HIGH FREQUENCY PRODUCTION OR FIELD USE
- CONVENIENT 110 VOLT FOR UNIVERSAL APPLICATION AND VERSATILITY
- FAST POWER RECOVERY, IMMEDIATE RECHARGE, CAPACITY TO 5/16" (8mm) DIAMETER STUDS
  - WELD RATE 15 STUDS PER MINUTE
- TROUBLE FREE SOLID STATE DESIGN, SINGLE VOLTAGE CONTROL KNOB, SIMPLE SETTING, DIGITAL POWER DISPLAY
- SAFE, AUTOMATIC POWER DISCHARGE ON ANY POWER FAILURE  
STUD CONTACT REQUIRED TO FIRE CIRCUIT

### INCLUDES

- SINGLE FIRE TRIGGER
- 16 FT.(4.8m) CORDSET AND EASY TO USE GROUND CLAMP



## 18" STUD GUN EXTENSION

MODEL NO. Q36-X100

- CONVENIENT FOR REMOTE AREAS WHERE A STANDARD GUN CANNOT REACH



MODEL NO. Q36-0028

- FAST POWER RECOVERY, IMMEDIATE RECHARGE, CAPACITY TO 1/4" (6mm) DIAMETER STUDS
  - WELD RATE 12 STUDS PER MINUTE
- LIGHTWEIGHT AND VERSATILE- WEIGHS ONLY 28 LBS - IDEAL FOR WELDING AT INSTALLATION SITE OR WHERE ONE STUD WELDER MAY BE REQUIRED IN SEVERAL WORK AREAS
- SAFE AND TROUBLE FREE...INCORPORATES THE SAME SOLID STATE TECHNOLOGY AND SAFETY FEATURES AS OUR LARGER UNIT

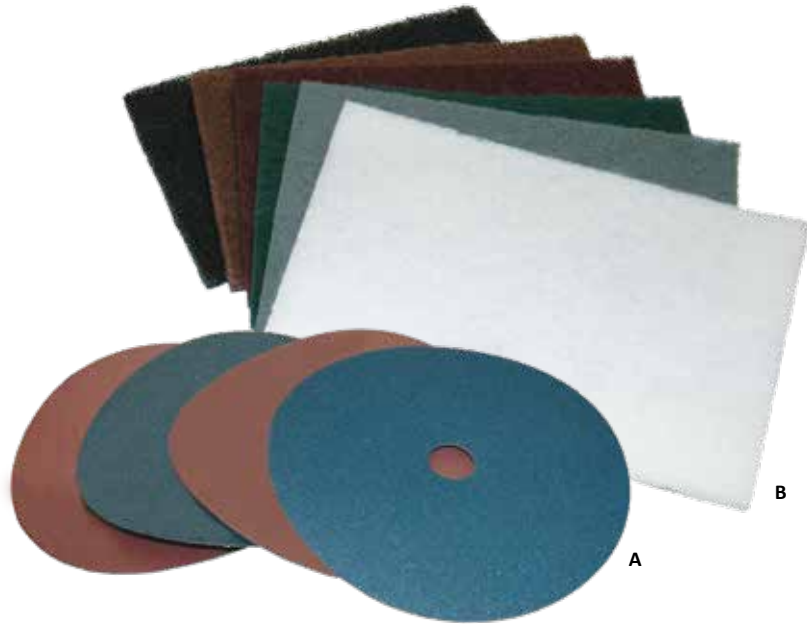
REF. A

**SAIT  
ZIRCONIA FIBRE  
SANDING DISCS  
BLUE SAIT ZIRCONIA ALUMINA  
FIBRE SANDING DISC**

- FOR HEAVY STOCK REMOVAL
- FOR STAINLESS STEEL OR FLAT GRINDING OF MILD STEEL
- COOL CUTTING AND LONG LASTING

MODEL NO.	GRIT	DIA.	ARBOR
AN-5080	80	5" (125mm)	7/8" (22mm)
AN-7080	80	7" (178mm)	7/8" (22mm)

PACKAGED 100 DISCS PER PACK



REF. A

**4" SAIT  
ALUMINUM OXIDE  
ABRASIVE DISCS  
RED SAIT RESIN FIBRE ALUMINUM  
OXIDE SANDING DISCS (3A)**

- SPECIFICALLY DESIGNED FOR STAINLESS STEEL APPLICATIONS
- RUNS COOLER WITH HIGHER STOCK REMOVAL

MODEL NO.	GRIT	DIA.	ARBOR
AK-4036	36	4" (102mm)	7/8" (22mm)
AK-4060	60	4" (102mm)	7/8" (22mm)
AK-4080	80	4" (102mm)	7/8" (22mm)
AK-4120	120	4" (102mm)	7/8" (22mm)

PACKAGED 100 DISCS PER PACK

REF. A

**5" SAIT  
ALUMINUM OXIDE  
ABRASIVE DISCS  
RED SAIT RESIN FIBRE ALUMINUM  
OXIDE SANDING DISCS (3A)**

- SPECIFICALLY DESIGNED FOR STAINLESS STEEL APPLICATIONS
- RUNS COOLER WITH HIGHER STOCK REMOVAL

MODEL NO.	GRIT	DIA.	ARBOR
AK-5036	36	5" (125mm)	7/8" (22mm)
AK-5060	60	5" (125mm)	7/8" (22mm)
AK-5080	80	5" (125mm)	7/8" (22mm)
AK-5100	100	5" (125mm)	7/8" (22mm)
AK-5120	120	5" (125mm)	7/8" (22mm)

5" (125mm) SPIRALCOOL BACKING PAD AVAILABLE. SPECIFY **AZ-95016**

PACKAGED 100 DISCS PER PACK

REF. A

**7" SAIT  
ALUMINUM OXIDE  
ABRASIVE DISCS  
RED SAIT RESIN FIBRE ALUMINUM  
OXIDE SANDING DISCS (3A)**

- SPECIFICALLY DESIGNED FOR STAINLESS STEEL APPLICATIONS
- RUNS COOLER WITH HIGHER STOCK REMOVAL

MODEL NO.	GRIT	DIA.	ARBOR
AK-7080	80	7" (178mm)	7/8" (22mm)
AK-7100	100	7" (178mm)	7/8" (22mm)
AK-7120	120	7" (178mm)	7/8" (22mm)

7" (178mm) SPIRALCOOL BACKING PAD AVAILABLE. SPECIFY **AZ-95018**

PACKAGED 100 DISCS PER PACK



## ABRASIVE DISC CUTTER

**MODEL NO. ACD-8100**

PROLONGS THE LIFE OF 7" (178mm) FIBRE DISCS BY CREATING A NEW SURFACE. ADJUSTABLE FOR DIAMETERS FROM 3" (76mm) TO 9" (229mm).

**MODEL NO. ACD-8102**

REPLACEMENT UPPER CUTTER BLADE

**MODEL NO. ACD-8104**

REPLACEMENT LOWER CUTTER BLADE

REF. B

## SAIT ABRASIVE HAND PADS

- FOR CLEANING, FINISHING, POLISHING AND BLENDING
- MAY BE USED WET OR DRY
- SIZE: 6" x 9" (150mm x 225mm)

MODEL NO.	GRADE	COLOR	ABRASIVE
AK-7446-AP	Stainless Steel	Black	Aluminum Oxide
AK-7448-AP	Ultra Fine	Gray	Silicone Carbide
AK-7447-AP	General Purpose	Maroon	Silicone Carbide
AK-7440-AP	Heavy Duty	Brown	Aluminum Oxide
AK-7496-AP	Stipper	Green	Aluminum Oxide
AK-7486-AP	Light Duty	White	Talc

PACKAGED 20 PADS PER PACKAGE

# Cartridge Rolls & Mounted Stones



REF. A

## PREMIUM RESIN BONDED STRAIGHT CARTRIDGE ROLLS

- EXTREMELY HIGH QUALITY AND LONG LASTING
- MANUFACTURED OF ALUMINUM OXIDE RESIN BOND CLOTH
- SPECIFICALLY DESIGNED FOR STAINLESS STEEL APPLICATIONS
- PROVIDES FOR FAST DEBURRING AND FINISHING OF ALL STAINLESS STEEL
- SPECIALLY FORMED WITH A HIGH PERFORMANCE PHENOLIC RESIN WITHSTANDING EXTREME HEAT AND MOISTURE

MODEL NO.	DIA.	LENGTH	SHANK DIA.	GRIT	MAX RPM
AC-3011	5/8" (16mm)	2" (51mm)	1/4"	50	18000
AC-3019	5/8" (16mm)	2" (51mm)	1/4"	60	18000
AC-3014	1" (25mm)	2" (51mm)	1/4"	50	15000
AC-3018	3/8" (9mm)	1-1/2" (38mm)	1/8"	60	26000
AC-3015	1-1/2" (38mm)	2" (51mm)	1/4"	50	15000
AC-3022	1-1/2" (38mm)	2" (51mm)	1/4"	60	15000
AC-3718	1" (38mm)	2" (51mm)	1/4"	60	15000
AC-2226	1/4" (6mm)	Cartridge Roll Mandrel			

- PACKED 100 PER CARTON
- OTHER SIZES AVAILABLE UPON REQUEST

REF. B

## PREMIUM RESIN BONDED MOUNTED STONES

- MANUFACTURED OF ALUMINUM OXIDE GRAIN FOR FAST DEBURRING AND FINISHING OF STAINLESS STEEL
- PERFORMS WITHOUT VIBRATION OR RUN-OUT
- EASY TO IDENTIFY AND MAINTAIN INVENTORY
- SUPPLIED WITH COARSE 36 GRIT

MODEL NO.	DIA.	LENGTH	SHANK DIA.	MAX RPM O= 1/2"	TYPE
AQ-7401	3/4" (19mm)	2" (51mm)	1/4"	19,800	A1
AQ-7402	1" (25mm)	2" (51mm)	1/4"	16,100	A3
AQ-7405	7/8" (22mm)	2-1/2" (64mm)	1/4"	19,860	A11
AQ-7408	3/8" (9mm)	1-1/4" (31mm)	1/4"	45,750	W179
AQ-7411	3/4" (19mm)	2-3/4" (70mm)	1/4"	24,000	W208
AQ-7413	1" (25mm)	2" (51mm)	1/4"	18,750	W222
AQ-7409	1/2" (12mm)	2" (51mm)	1/4"	15,900	W189

PACKED 10 PER CARTON - OTHER SIZES AVAILABLE UPON REQUEST

SILHOUETTES DO NOT REPRESENT ACTUAL DIMENSIONS

A1    A3    A11

"W" SHAPES ARE FOR MEDIUM TO HEAVY STOCK REMOVAL

MANDREL OVERHANG "O" MUST ALWAYS BE THE LOWEST POSSIBLE. MAXIMUM SPEEDS GIVEN REFER TO OVERHANG "O" EQUAL TO 1/2".

OVERHANG = 1/2"

J



REF. A

## MARKING PENS AND PENCILS

SPECIFICALLY DESIGNED FOR LAYOUT WORK ON STAINLESS STEEL

**RED MARKING PENCILS**  
BRILLIANT COLOR FOR CODING AND LAYOUT  
HIGHLY VISIBLE, ERASABLE, WON'T SMEAR OR FADE  
**MODEL NO. Q90-2126**

**MARKING PENS**  
EXTRA FINE POINT, 0.4MM LINE WIDTH ON NON-POROUS SURFACES. PERMANENT ON MOST SURFACES. WATER RESISTANT.  
**BLUE MODEL NO. Q91-3503 (DOZEN)**  
**RED MODEL NO. Q91-3505 (DOZEN)**

REF. B

## STAINLESS STEEL WIRE BRUSHES

IDEAL FOR CLEANING WELDING TIPS AND CASTINGS  
REMOVES WELD BURNS, SCALE, PAINT AND RUST  
FROM ALL METAL SURFACES. CUSTOM HARDWOOD SHAPED HANDLES

MODEL NO.	HANDLE LENGTH	WIRE CONFIG.
Q59-4440	10-1/4" (260mm)	Rows: 4 x 16
Q59-1500	7-5/8" (190mm)	20 Tufts*

\*LACED THRU HANDLE

REF. C

## ACID BRUSHES

- 1-3/8" (9mm) WIDE
- HORSE HAIR BRISTLES • 3/8" WIDE
- 6" LONG • TIN HANDLE

**MODEL NO. Q58-0001**  
PACKED 144 PER BOX

REF. D

## DEBURRING TOOL

- A FAST, CONVENIENT, INEXPENSIVE DEBURRING TOOL
- IDEAL FOR STAINLESS STEEL, ELIMINATES COSTLY FILING
  - ADJUSTABLE FOR ALL GAUGES
- SAFELY AND QUICKLY DEBUR METAL EDGES FOR EASIER HANDLING
  - ROTATE BLADES TO PROLONG TOOL LIFE

**ADJUSTABLE DEBURRING TOOL**  
**MODEL NO. DBR-1000**

REF. E

**REPLACEMENT ROLLERS (PAIR)**  
**MODEL NO. DBR-1000-RR**

REF. F

**REPLACEMENT ROLLER SCREW**  
**MODEL NO. DBR-1000-RS**





## HACKSAW BLADES

REF. A

- 12" LG. x 1/2" WIDE (300mm x 13mm)
- EXCELLENT FOR STAINLESS STEEL

- PRECISION GROUND TEETH FOR ALL KINDS OF METAL SAWING
- BLADE BACK MADE OF STRONG, FLEXIBLE SPRING STEEL WITH A TOOTH LINE OF HIGH-ALLOYED SUPER HIGH-SPEED STEEL CONSTRUCTION GUARANTEES THE BLADE TO KEEP ITS SHARPNESS FOR A LONG TIME
- COMBINE EXTREME CUTTING PERFORMANCE AND WEAR RESISTANCE WITH A HIGH DEGREE OF FLEXIBILITY
- 12" L X 1/2" W X .025" H BI-METAL BLADE

MODEL NO.	TEETH PER INCH (25mm)	THICKNESS
FR-1218	18	.025 (.6mm)
FR-1224	24	.025 (.6mm)

PACKAGED 100 BLADES PER PACK

## RECIPROCATING SAW BLADES

REF. B

- BI-METAL BLADE FOR ALL MATERIALS AND TYPES OF CUTS
- SPECIFICALLY DESIGNED FOR CUTTING METAL
- STANDARD SHAPE WITH IMPROVED PERFORMANCE AND PRECISION GROUND TEETH FOR FAST AND AGGRESSIVE STRAIGHT CUTS

MODEL NO.	SIZE	TEETH PER INCH (25mm)
FR-88162	4" (102mm)	18
FR-88163	4" (102mm)	24
FR-88178	6" (152mm)	18
FR-88179	6" (152mm)	24

PACKAGED 5 BLADES PER PACK

## TAPS

REF. C

AVAILABLE IN THE FIVE MOST FREQUENTLY USED SIZES

- UNION BUTTERFIELD #1528 UNC HIGH QUALITY STRAIGHT FLUTE HAND TAP - PLUG CHAMFER
- FOR THROUGH OR BLIND HOLE APPLICATIONS • HIGH SPEED STEEL FOR GOOD WEAR RESISTANCE ON BOTH FERROUS AND NON-FERROUS METALS • FLASH CHROME FINISH FOR BETTER CHIP FLOW ON SOFTER MATERIALS SUCH AS ALUMINUM
- UNC RIGHT-HAND THREAD TAP
- SPIRAL POINT • 4 FLUTE DESIGN
- H3 THREAD LIMIT
- 2-3/8" L X 0.194 SHANK DIAMETER WITH 7/8" THREAD LENGTH
- UNION BUTTERFIELD #1534 UNC HIGH QUALITY STRAIGHT FLUTE GUN TAP - PLUG CHAMFER
- FOR THROUGH OR BLIND HOLE APPLICATIONS • HIGH SPEED STEEL FOR GOOD WEAR RESISTANCE ON BOTH FERROUS AND NON-FERROUS METALS
- FLASH CHROME FINISH FOR BETTER CHIP FLOW ON SOFTER MATERIALS SUCH AS ALUMINUM
- UNC RIGHT-HAND THREAD TAP
- SPIRAL POINT • 2 FLUTE DESIGN
- H3 THREAD LIMIT • 2-3/8" L X 0.194 SHANK DIAMETER WITH 7/8" THREAD LENGTH

STRAIGHT FLUTE HAND TAPS		MACHINE (GUN) TAPS (HI-SPEED)	
MODEL NO.	SIZE	MODEL NO.	SIZE
1902-6-32	6-32	1904-6-32	6-32
1902-8-32	8-32	1904-8-32	8-32
1902-10-24	10-24	1904-10-24	10-24
1902-10-32	10-32	1904-10-32	10-32
1902-1/4-20	1/4-20	1904-1/4-20	1/4-20

NOTE: Other sizes available on application

## DRILL BITS

REF. D

HEAVY DUTY DRILLS HAVE A 135° SPLIT POINT AND A NORMAL HELIX FOR GOOD CHIP CLEARANCE. THE RUGGED CONSTRUCTION AFFORDS EFFICIENT DRILLING IN STAINLESS STEEL AND OTHER HARD MATERIALS, AND IN APPLICATIONS WHERE EXCESSIVE BREAKAGE OCCURS WITH GENERAL PURPOSE DRILL BITS. THESE HIGH QUALITY DRILL BITS ARE AVAILABLE IN JOBBER AND STUB LENGTHS.

- HIGH SPEED STEEL CONSTRUCTION FOR DURABILITY - RECOMMENDED FOR TOUGHER FERROUS METALS • NAS 907, TYPE C • AVAILABLE IN SCREW MACHINE/STUB LENGTH AND JOBBER/REGULAR LENGTH • 135-DEGREE SELF-CENTERING SPLIT POINT FOR EASIER PENETRATION • STEAM OXIDE FINISH FOR INCREASED WEAR RESISTANCE AND LUBRICITY • RIGHT HAND TURN

AVAILABLE IN ALL SIZES

DIAMETERS: 1/64" (.39mm) THRU 1/2" (12.7mm)

#1 (5.8mm) THRU #60 (1mm) AND A THROUGH Z LETTER GAUGE

ADD SUFFIX:

'R' FOR JOBBER (REGULAR) LENGTH 'S' FOR STUB SCREW MACHINE LENGTH

REF. E

## TUNGSTEN ELECTRODES

2% THORIATED, GROUND

MODEL NO.	MODEL NO.	MODEL NO.
MK-1600-E	MK-3320-E	MK-1800-E
1/16" DIA. x 7" LG. (2mm x 180mm)	3/32" DIA. x 7" LG. (2mm x 180mm)	1/8" DIA. x 7" LG. (3mm x 180mm)

NOTE: EACH PACKAGE CONTAINS 10 ELECTRODES



# Drill Bit Decimal Equivalents - For Fractional, Wire Gauge, Letter & Metric (mm) Size Drills

DRILL SIZE	DECIMAL INCHES	DRILL SIZE	DECIMAL INCHES	DRILL SIZE	DECIMAL INCHES	DRILL SIZE	DECIMAL INCHES	DRILL SIZE	DECIMAL INCHES	DRILL SIZE	DECIMAL INCHES	DRILL SIZE	DECIMAL INCHES
0.25	.0098	1.50	.0591	#32	.1160	#6	.2040	8.10	.3189	29/64"	.4531	18.50	.7283
0.30	.0118	#53	.0595	2.95	.1161	5.20	.2047	8.20	.3228	11.60	.4567	47/64"	.7344
#80	.0135	1.55	.0610	3.00	.1181	#5	.2055	P	.3230	11.70	.4606	18.75	.7382
0.35	.0138	1/16"	.0625	#31	.1200	5.30	.2087	8.30	.3268	11.80	.4646	19.00	.7480
#79	.0145	1.60	.0629	3.10	.1220	#4	.2090	-	-	11.90	.4685	3/4"	.7500
1/64"	.0156	#52	.0635	1/8"	.1250	5.40	.2126	21/64"	.3281	15/32"	.4687	19.25	.7579
0.40	.0157	1.65	.0650	3.20	.1260	#3	.2130	8.40	.3307	12.00	.4724	49/64"	.7656
#78	.0160	1.70	.0669	#30	.1285	5.50	.2165	Q	.3320	12.10	.4764	19.50	.7677
0.45	.0177	#51	.0670	3.30	.1299	7/32"	.2187	8.50	.3346	12.20	.4803	19.75	.7776
#77	.0180	1.75	.0689	3.40	.1339	5.60	.2205	8.60	.3386	12.30	.4843	25/32"	.7812
0.50	.0197	#50	.0700	#29	.1360	#2	.2210	R	.3390	31/64"	.4843	20.00	.7874
#76	.0200	1.80	.0709	3.50	.1378	5.70	.2244	8.70	.3425	12.40	.4882	51/64"	.7969
#75	.0210	1.85	.0730	#28-9/64"	.1405	#1	.2280	11/32"	.3437	12.50	.4921	20.25	.7972
0.55	.0217	#49	.0730	3.60	.1417	5.80	.2283	8.80	.3465	12.60	.4961	20.50	.8071
#74	.0225	1.90	.0748	#27	.1440	5.90	.2323	S	.3480	12.70	.5000	13/16"	.8125
0.60	.0236	#48	.0760	3.70	.1457	A	.2340	8.90	.3504	1/2"	.5000	20.75	.8169
#73	.0240	1.95	.0768	#26	.1470	15/64"	.2344	9.00	.3543	12.80	.5039	21.00	.8268
#72	.0250	5/64"	.0781	#25	.1495	6.00	.2362	T	.3580	12.90	.5079	53/64"	.8281
0.65	.0256	#47	.0785	3.80	.1496	B	.2380	9.10	.3583	13.00	.5118	21.25	.8366
#71	.0260	-	-	#24	.1520	6.10	.2401	23/64"	.3594	33/64"	.5156	27/32"	.8437
0.70	.0276	2.00	.0787	3.90	.1535	C	.2420	9.20	.3622	13.20	.5197	21.50	.8465
#70	.0280	2.05	.0807	#23	.1540	6.20	.2441	9.30	.3661	17/32"	.5313	21.75	.8563
#69	.0292	#46	.0810	5/32"	.1562	D	.2460	U	.3680	13.50	.5315	55/64"	.8594
0.75	.0295	#45	.0820	#22	.1570	6.30	.2480	9.40	.3701	13.80	.5433	22.00	.8661
#68	.0310	2.10	.0827	4.00	.1575	E-1/4"	.2500	9.50	.3740	-	-	7/8"	.8750
1/32"	.0313	2.15	.0846	#21	.1590	6.40	.2520	3/8"	.3750	35/64"	.5469	22.25	.8760
0.80	.0315	#44	.0860	#20	.1610	6.50	.2559	V	.3770	14.00	.5512	22.50	.8858
#67	.0320	2.20	.0866	4.10	.1614	F	.2570	9.60	.3780	14.25	.5610	57/64"	.8906
#66	.0330	2.25	.0886	4.20	.1654	6.60	.2598	9.70	.3819	9/16"	.5625	22.75	.8957
0.85	.0335	#43	.0890	#19	.1660	G	.2610	9.80	.3858	14.50	.5709	23.00	.9055
#65	.0350	2.30	.0905	4.30	.1693	6.70	.2638	W	.3860	37/64"	.5781	29/32"	.9062
0.90	.0354	2.35	.0925	#18	.1695	17/64"	.2656	9.90	.3898	14.75	.5807	23.25	.9154
#64	.0360	#42	.0935	11/64"	.1719	H	.2660	25/64"	.3906	15.00	.5906	59/64"	.9219
#63	.0370	3/32"	.0937	#17	.1730	6.80	.2677	10.00	.3937	19/32"	.5937	23.50	.9252
0.95	.0374	2.40	.0945	4.40	.1732	6.90	.2716	X	.3970	15.25	.6004	23.75	.9350
#62	.0380	#41	.0960	#16	.1770	I	.2720	10.10	.3976	39/64"	.6094	15/16"	.9375
#61	.0390	2.45	.0965	4.50	.1771	7.00	.2756	10.20	.4016	15.50	.6102	24.00	.9449
1.00	.0394	#40	.0980	#15	.1800	J	.2770	Y	.4040	15.75	.6201	61/64"	.9531
#60	.0400	2.50	.0984	4.60	.1811	7.10	.2795	10.30	.4055	5/8"	.6250	24.25	.9547
#59	.0410	#39	.0995	-	-	K-9/32"	.2811	13/32"	.4062	16.00	.6299	24.50	.9646
1.05	.0413	2.55	.1004	#14	.1820	7.20	.2835	10.40	.4094	16.25	.6398	31/32"	.9688
#58	.0420	#38	.1015	4.70	.1850	7.30	.2874	Z	.4130	41/64"	.6406	24.75	.9744
#57	.0430	2.60	.1024	#13	.1850	L	.2900	10.50	.4134	16.50	.6496	25.00	.9843
1.10	.0433	#37	.1040	3/16"	.1875	7.40	.2913	10.60	.4173	21/32"	.6562	63/64"	.9844
1.15	.0453	2.65	.1043	4.80	.1890	M	.2950	10.70	.4213	16.75	.6594	1"	1.0000
#56	.0465	2.70	.1063	#12	.1890	7.50	.2953	27/64"	.4219	17.00	.6693		
3/64"	.0469	#36	.1065	#11	.1910	19/64"	.2968	10.80	.4252	43/64"	.6719		
1.20	.0472	2.75	.1083	4.90	.1929	7.60	.2992	10.90	.4291	17.25	.6791		
1.25	.0492	7/64"	.1093	#10	.1935	N	.3020	11.00	.4330	11/16"	.6875		
1.30	.0512	#35	.1100	#9	.1960	7.70	.3031	11.10	.4370	17.50	.6890		
#55	.0520	2.80	.1102	5.00	.1968	7.80	.3071	7/16"	.4375	17.75	.6988		
1.35	.0531	#34	.1110	#8	.1990	7.90	.3110	11.20	.4409	45/64"	.7031		
1.40	.0550	2.85	.1122	5.10	.2008	5/16"	.3125	11.30	.4449	18.00	.7087		
#54	.0550	#33	.1130	#7	.2010	8.00	.3150	11.40	.4488	18.25	.7185		
1.45	.0571	2.90	.1142	13/64"	.2031	O	.3160	11.50	.4528	23/32"	.7187		

## DRILL SIZE BASED ON APPROXIMATELY 72% - 77% FULL THREAD

TAP SIZE	PITCH FORM	TAP DRILL SIZE	ALT. TAP DRILL	TAP SIZE	PITCH FORM	TAP DRILL SIZE	ALT. TAP DRILL
<b>UNIFIED TAPS</b>				<b>UNIFIED TAPS (CONT.)</b>			
0	80 (U)NF	3/64"	1.25	1"	8 (U)NC	7/8"	22.25
1	64 (U)NC	53	1.55	1"	12 (U)NF	59/64"	23.25
	72 (U)NF	53	1.55		14 (U)NS	15/16"	23.50
2	56 (U)NC	50	1.85	1-1/8"	7 (U)NC	63/64"	25.00
	64 (U)NF	50	1.90		12 (U)NF	1-3/64"	26.50
3	48 (U)NC	47	2.10	1-1/4"	7 (U)NC	1-7/64"	28.00
	56 (U)NF	45	2.15		12 (U)NF	1-11/64"	29.50
4	40 (U)NC	43	2.35	1-3/8"	6 (U)NC	1-7/32"	30.75
	48 (U)NF	42	2.40		12 (U)NF	1-19/64"	32.75
5	40 (U)NC	38	2.65	1-1/2"	6 (U)NC	1-11/32"	34.00
	44 (U)NF	37	2.70		12 (U)NF	1-27/64"	36.00
6	32 (U)NC	36	2.85	1-3/4"	5 (U)NC	1-9/16"	39.50
	40 (U)NF	33	2.95	2"	4-1/2 (U)NC	1-25/32"	45.00
8	32 (U)NC	29	3.50	<b>TAPER PIPE TAPS NPT</b>			
	36 (U)NF	29	3.50	1/16"	27 NPT	D	6.30
10	24 (U)NC	25	3.90	1/8"	27 NPT	R	8.70
	32 (U)NF	21	4.10	1/4"	18 NPT	7/16"	11.10
12	24 (U)NC	16	4.50	3/8"	18 NPT	37/64"	14.50
	28 (U)NF	14	4.70	1/2"	14 NPT	23/32"	18.00
1/4"	20 (U)NC	7	5.10	3/4"	14 NPT	59/64"	23.25
	28 (U)NF	3	5.50	1"	11-1/2 NPT	1-5/32"	29.00
5/16"	18 (U)NC	F	6.60	1-1/4"	11-1/2 NPT	1-1/2"	38.00
	24 (U)NF	I	6.90	1-1/2"	11-1/2 NPT	1-47/64"	44.00
3/8"	16 (U)NC	5/16"	8.00	2"	11-1/2 NPT	2-7/32"	56.00
	24 (U)NF	Q	8.50	2-1/2"	8 NPT	2-5/8"	67.00
7/16"	14 (U)NC	U	9.40	3"	8 NPT	3-1/4"	82.50
	20 (U)NF	25/64"	9.90	<b>STRAIGHT PIPE TAPS NPS</b>			
1/2"	13 (U)NC	27/64"	10.80	1/8"	27 NPS	S	8.80
	20 (U)NF	29/64"	11.50	1/4"	18 NPS	29/64"	11.50
9/16"	12 (U)NC	31/64"	12.20	3/8"	18 NPS	19/32"	15.00
	18 (U)NF	33/64"	12.90	1/2"	14 NPS	47/64"	18.50
5/8"	11 (U)NC	17/32"	13.50	3/4"	14 NPS	15/16"	23.75
	18 (U)NF	37/64"	14.50	1"	11-1/2 NPS	1-3/16"	30.25
3/4"	10 (U)NC	21/32"	16.50	1-1/4"	11-1/2 NPS	1-33/64"	38.50
	16 (U)NF	11/16"	17.50	1-1/2"	11-1/2 NPS	1-3/4"	44.50
7/8"	9 (U)NC	49/64"	19.50	2"	11-1/2 NPS	2-7/32"	56.00
	14 (U)NF	13/16"	20.40				



## PRESSURE SENSITIVE INDUSTRIAL TAPE

MODEL NO.	DESCRIPTION	SIZE	CASE QTY
Q84-1075	Masking Tape	3/4" x 60 yds (19mm x 54m)	48 Case
Q84-3200	Duct Tape	2" x 60 yds (51mm x 54m)	24 Case
Q84-4250	Foil Tape Hi-Strength Aluminum	2-1/2" x 50 yds (60mm x 45m) 4.2 ml	16 Case
Q84-5075	Filament Tape Glass Reinforced	3/4" x 60 yds (19mm x 54m)	48 Case



## TACKY TAPE

- FOR SOUND DEADENING OF WORK TOPS • A HIGHLY ELASTIC GRAY BUTYL TAPE WITH EXCELLENT SURFACE TACK SPECIFICALLY DESIGNED FOR SEALING AND SOUND DAMPENING BETWEEN METAL PANEL JOINTS • SUPERIOR SURFACE TACK ALLOWS IT TO ADHERE TO METAL SUBSTRATES THAT ARE CONTAMINATED WITH LIGHT ROLL FORMING OIL WITHOUT PRE-WIPING THE SURFACE • SERVICE TEMPERATURE RANGE -40°F TO 200°F • WILL RESIST FUNGAL ATTACK AND NOT SUPPORT MILDEW GROWTH • FEDERAL SPECIFICATION TT-C-1796A, TYPE II, CLASS B • USDA ACCEPTABLE • UL APPROVED

### MODEL NO. Q85-5225 ONE CASE

(24 ROLLS/CASE)

ROLL SIZE: 3/4" WIDE X 3/32" THICK X 45 FT.  
(19mm x 2mm x 14m)



## TUFF BRAKE FILM

- DIE MARKS AND SANDING ARE ELIMINATED • DIES ARE PROTECTED • PRODUCTION COSTS DECREASE • SPECIFICALLY DESIGNED TO ELIMINATE PRESS BRAKE WITNESS MARKS CAUSED BY THE LOWER DIE WHEN USED FOR BENDING STAINLESS STEEL, ALUMINUM, SHEET METAL AND PRE PAINTED METALS • REDUCES NEED FOR COSTLY GRINDING AND POLISHING • DURABLE - THE SAME PIECE OF TUFF BRAKE FILM CAN BE USED NUMEROUS TIMES BEFORE YOU NEED TO READJUST THE FILM TO FORM AGAINST FRESH MATERIAL (LONGEVITY WILL VARY DEPENDING ON TYPES OF MATERIAL AND ANGLES PRODUCED)

USED BETWEEN PRESS BRAKE DIE AND FORMED PIECE TO ELIMINATE BRAKE MARKS AND POLISHING. PROTECTS EXPENSIVE DIES AND DECREASES PRODUCTION COSTS. CUT OFF A PIECE OF FILM THE SAME LENGTH AS YOUR BOTTOM DIE. FASTEN EDGE OF THE FILM TO THE DIE USING STRIP MAGNETS, MASKING, DUCT OR DOUBLE FACED TAPE FOR WHICHEVER SURFACE YOU WANT TO PROTECT. LET THE FILM "FLOP" OVER THE DIE, BEGIN FORMING.

### MODEL NO. Q80-4000

ROLL SIZE: 4" WIDE X 100' LONG X .015"  
(102mm x 30.5m x .4mm)

### MODEL NO. Q80-6000

ROLL SIZE: 6" WIDE X 100' LONG X .015"  
(152mm x 30.5m x .4mm)

OTHER WIDTHS AVAILABLE UPON APPLICATION



## SOUND PADS

- EASY TO APPLY PEEL AND STICK SELF-ADHESIVE GRAY MASTIC MATERIAL • IMMEDIATE ADHESION TO CLEAN SURFACES, SUCH AS STEEL, ALUMINUM, STAINLESS STEEL, GLASS OR FIBER BOARD • CONTROLS NOISE, DAMPS VIBRATION IN SHEET METAL - IDEAL FOR USE ON SINK BOTTOMS • FLEXIBLE ALUMINUM BACKING FOLLOWS ANY CONTOUR AND MATCHES STAINLESS STEEL FINISH • SERVICE TEMPERATURE RANGE FROM -20°F TO 250°F

### MODEL NO. Q76-1250

SOLD BY 10 PIECE PACK ONLY

PAD SIZE: 3-1/2" X 10" X 1/16" (90mm x 250mm x 2mm)  
WGT. 2.8 Oz. (79g)



## SPRAY ENAMEL

- FAST DRYING • LEAD FREE
- INDOOR AND OUTDOOR USE • PREVENTS RUST

**MODEL NO. M92-1010 FLAT BLACK**

**MODEL NO. M92-1012 CHROME ALUMINUM**

FURNISHED IN 16 oz (453g) AEROSOL CANS  
NET WEIGHT: 12 oz (340g) PACKAGED 6 CANS PER CARTON



## ROOM FOGGERS

SANIGUARD TOTAL RELEASE FOGGER ENABLES YOU TO SANITIZE ENTIRE ROOMS IN JUST MINUTES WITH THE SAME “KILL ON CONTACT” POWER OF THE CONVENTIONAL SANIGUARD SPRAYS. EACH 8oz. FOGGER TREATS UP TO 625 sq. ft. IN ONE APPLICATION, ALMOST INSTANTLY GETTING RID OF DISEASE CAUSING MICROBES! THE 3oz. SANIGUARD FOGGER IS PERFECT FOR DORM ROOMS, HOTELS, CRUISE SHIP CABINS, AIRPLANES AND MORE.

- SANIGUARD® TOTAL RELEASE SANITIZING ROOM FOGGER KILLS AIRBORNE PARTICLES IN A ROOM OR CONFINED AREA - WALLS, CEILING, FLOOR AND EVERY NOOK AND CRANNY - IN JUST 15 MINUTES
- SANIGUARD SURFACE SPRAY DRIES ON CONTACT - NO WAITING, NO WIPING, NO MESS
- SANIGUARD SANITIZING PRODUCTS ARE EPA REGISTERED, PATENTED, AND HAVE BEEN PROVEN TO KILL 99.99% OF INFLUENZA AND 39 OTHER VARIOUS GERMS, BACTERIA, FUNGUS, AND VIRUSES IN MERE SECONDS; INCLUDING: MRSA, RINGWORM, HIV, E-COLI, SALMONELLA, NOROVIRUS AND HERPES
  - SAFE FOR FOOD CONTACT SURFACES (NO POTABLE RINSE REQUIRED) AND OTHER NON-POROUS SURFACES INCLUDING ELECTRONICS
- USE IN BATHROOMS, OFFICES, SCHOOLS, DORM ROOMS, HOSPITAL ROOMS AND HOTELS. IDEAL FOR TREATING HARD TO CLEAN HOT SPOTS SUCH AS PHONES, FAXES, SHARED OFFICE EQUIPMENT, LIGHT SWITCHES, FAUCETS, TOILET SEATS, DOOR KNOBS, DRINKING FOUNTAINS, KEYBOARDS AND COMPUTER MOUSE, BREAK ROOM TABLES, ETC.
- 100% SAFE FOR HUMANS AND ANIMALS - NO SKIN, ORAL OR INHALATION TOXICITY

3 oz PORTABLE AND CONVENIENT  
**REF. A MODEL NO. SG55-1000**

8 oz FOR HOME AND BUSINESS USE  
**REF. B MODEL NO. SG55-2000**



**COMPONENT**  
HARDWARE®



# EUROPE CATALOG

Your Global Partner for Innovative Solutions

# EUROPEAN CATALOG

Items represented in European Catalogue section are for European market and not in inventory in North America.  
Contact your CHG representative for further details.

EU238



# EUROPEAN TABLE OF CONTENTS

TABLE OF CONTENTS	EU239
INTRODUCTION	EU240-EU243
WORK TABLES	EU244-EU247
PLUMBING COMPONENTS	EU248-EU253
CAFETERIA COMPONENTS	EU254-EU257
CABINET HARDWARE	EU258-EU263
ORIGINAL EQUIPMENT MANUFACTURING	EU264-EU270
• EQUIPMENT LEGS	EU245-EU247
• HINGES	EU267, EU270
CANOPY HOOD	EU271-EU273
INDEX	EU274

<b>SYMBOLS EXPLAINED</b>	
Diameter	∅
Width	↔
Height	↕
Vertical Adjustment	↕↕
Horizontal Adjustment	↔↔
Weight	⚖
Electrical	⊕
Battery	🔋

NOTE: All dimensions are in MM.



# COMPONENT HARDWARE

## ABOUT US

- Innovative manufacturer of specialty components and customized solutions since 1981
- Market leader with extensive engineering, global manufacturing and distribution capabilities
- Serving the foodservice, healthcare, hospitality, commercial and institutional markets
- Offering a wide array of commercial plumbing products, kitchen exhaust system components, fabrication hardware and refrigeration hardware
- Providing the industry's best casting, forging, stamping, machining, injection molding, extruding, fabrication and custom sub-assembly solutions

## WHY YOU SHOULD CHOOSE US

- **A trusted and valued supply partner**, solving our customers' problems - saving time, money, and giving peace of mind
- **Global Supply Chain** ensures on-time delivery of quality products wherever you may need them to keep your production lines running smoothly and efficiently
- Our meticulous **Quality Assurance team** insures our products meet or exceed all market standards and regulatory requirements
- Ability to **cost-effectively engineer** and build specialty or proprietary component and subassembly solutions on projects of all sizes
- **Global engineering and manufacturing capabilities**, including machining, metal forming, forging, stamping, die and sand casting, plastic injection molding, extruding, fabrication and subassembly operations allow for complete design and customization flexibility
- **Comprehensive product catalog** of over 9,000 items including specialty and customer-proprietary items
- Our **virtual manufacturing model** permits us to own our product designs and tooling without incurring the prohibitive expenses of owning the physical production facilities

## WHERE TO FIND US

- The Europe Office and Warehouse is located in Breda, the Netherlands.
- Headquartered in Lakewood, NJ, USA with warehouses and sales offices located throughout the United States, Canada, and Asia
- International distribution network ensures timely delivery of quality products to virtually any location in the world
- Follow us on LinkedIn, Facebook, Instagram and Twitter
- For further information, please visit our web site at: [www.componenthardware.com](http://www.componenthardware.com)



Breda, Netherlands



Fullerton, California



Dallas, Texas



Markham, Ontario



Lakewood, New Jersey

EU240

## Innovative Engineering

Strategic Solutions Provider – our dedicated team supports all your engineering and manufacturing needs from start to finish, whether it is a full concept design or just minor design changes to an existing product. We have the ability to develop unique custom solutions with a full staff of qualified mechanical and electrical engineers and offer comprehensive customer product design support with onsite design and technical assistance. It is our consultative design, reverse engineering capabilities, fast project/quote turnaround, value engineering for cost reduction and numerous patented and trademarked products that keep our customers coming back.

Our team of certified SolidWorks 3-D CAD professionals use 3-D rapid prototype modeling to help get from concept to prototype to production in the shortest time possible at the lowest possible cost.

Global Regulatory Compliance – our engineers work with outside testing agencies to insure your products meet or exceed all regulatory requirements, including NSF, UL, CE, WRAS, NFPA, and RoHS.



## Supply Chain Optimization

Strategic Warehousing – we're committed to insuring we have the required high-quality finished parts on our shelves at all times, to take your production to the next level – we make a large investment in inventory, so our customers don't have to.

Over 250,000 sq. ft. of dedicated warehouse space in the U.S., Canada and Europe.

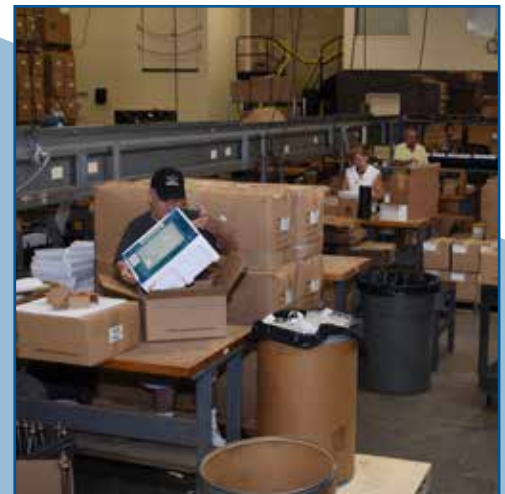
Global Distribution Network – our global network of distributors ensures an uninterrupted supply of products – delivering what you need, when you need it.

International Logistics – our knowledgeable staff will insure the smooth, timely delivery of product wherever your facilities may be located.

## Custom Subassemblies

We are a strategic manufacturing partner by simplifying your production processes, so you can concentrate on your core business.

We have the capability to supply complex, subassemblies and complete assemblies. Besides supplying the individual component parts we are traditionally known for, like bearings and drawer slides, we can also help you to design and manufacture complete product assemblies and sub-assemblies to save you additional time and money.



EU241



+31 (0)76-596 8699



# GLOBAL MANUFACTURING CAPABILITIES

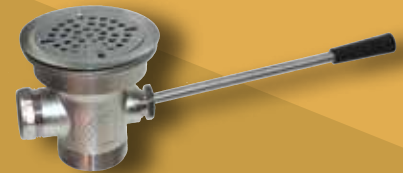
## Forging

Forging is the oldest metal working process known to man and is the term used for shaping metal by using localized compressive forces. Cold forging is done at room temperature or near room temperature. Hot forging is done at a high temperature, which makes metal easier to shape and less likely to fracture. Warm forging is done at intermediate temperature between room temperature and hot forging temperatures. Forged parts can range in size from 2 oz. to 3 lbs. Forged parts usually require further processing to achieve a finished part. Forging results in metal that is stronger than cast or machined metal parts and can impart a high strength-to-weight ratio.



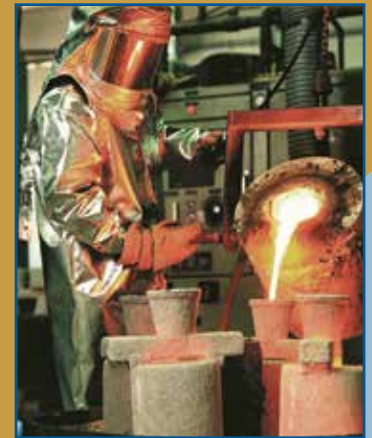
## Die Casting

During the die casting process, engineers inject molten metal into a steel mold, often under intense pressure. The sizes of the machines differ depending on the size of the respective mold. The complete die casting cycle varies depending on the weight and size of the components. Die casting is the fastest way of producing precise, high-quality, nonferrous metal parts.



## Sand Casting

Sand casting, also known as sand molded casting, is a metal casting process characterized by using sand as the mold material. The term "sand casting" can also refer to an object produced via the sand casting process. Sand castings are produced in specialized factories called foundries.



## Investment Casting

Investment casting or lost wax casting is a process in manufacturing whereby a refractory ceramic material is used to coat a wax pattern. The geometry of the ceramic material takes the casting shape once it has fully hardened. The wax is melted, discharged from the mold and molten metal and poured into the wax pattern's cavity. Investment casting allows for the production of accurate components repetitively.



## Stamping

Stamping features a versatile range of sheet-metal forming manufacturing processes which include punching using a stamping press, bending, embossing or coining. Stamping can be done on sheet metal and some other materials such as polystyrene. A progressive stamping process is characterized by multiple cutting and forming operations that take place simultaneously. Common materials used for progressive die stamping include various grades of stainless steel and cold rolled commercial steel. Also, tooling is generally less expensive here.



# GLOBAL MANUFACTURING CAPABILITIES



## Machining

Our machining operations are categorized into milling, turning, tapping, threading, and drilling. These operations use milling machines to cut workpieces while drilling operations use rotating cutters to produce and refine holes. Threading and tapping are processes that form or cut female and male mating pairs. All these procedures are essential and support our commercial kitchen components manufacturing.



## Plastic Injection Molding & Extruding

Plastic injection molding is a process that produces thermosetting and thermoplastic materials. It entails injecting molten plastic into a mold at high pressure, usually the inverse of the shape of the product. Then, molds are created using metal by mold makers or tool makers who use aluminum or steel to form the required features with utmost precision. Commonly used materials are ABS Nylon, polystyrene, polypropylene, PVC, and polyethylene.



## Wire Forming

Also referred to as wire forming or fabrication, metal forming involves bending and stamping wires into fabricated forms to create a wide range of items. Common products include wire racks, hooks, specialty pins, springs, clips, and other customized products. Our engineers perform wire forming processes either manually or using CNC machines. Stamping involves placing a stamp sheet metal, in either coil or blank form, into a stamping press. During the procedure, the die surface and a tool form a net-shaped product. Materials commonly used include various grades of stainless steel, commercial steel, and cold-rolled steel.



## Plating & Powder Coating

This is a collective name for surface-covering techniques that involve depositing a metal into a conductive surface. Plating prevents corrosion of electronic devices, faucets, and hinges. It influences product attributes such as wear-ability, paint adhesion, shielding, and conductivity. We specialize in zinc plating, electroplating, chrome plating, and nickel plating. Powder coating involves applying a distinctive dry powder coating, which does not need a solvent to keep the filler parts and binder in a liquid form. Engineers apply the powder electrostatically and cure it under heat to form a layer. The finish that it creates to our plumbing component manufacturing is tougher and harder than that of paint.

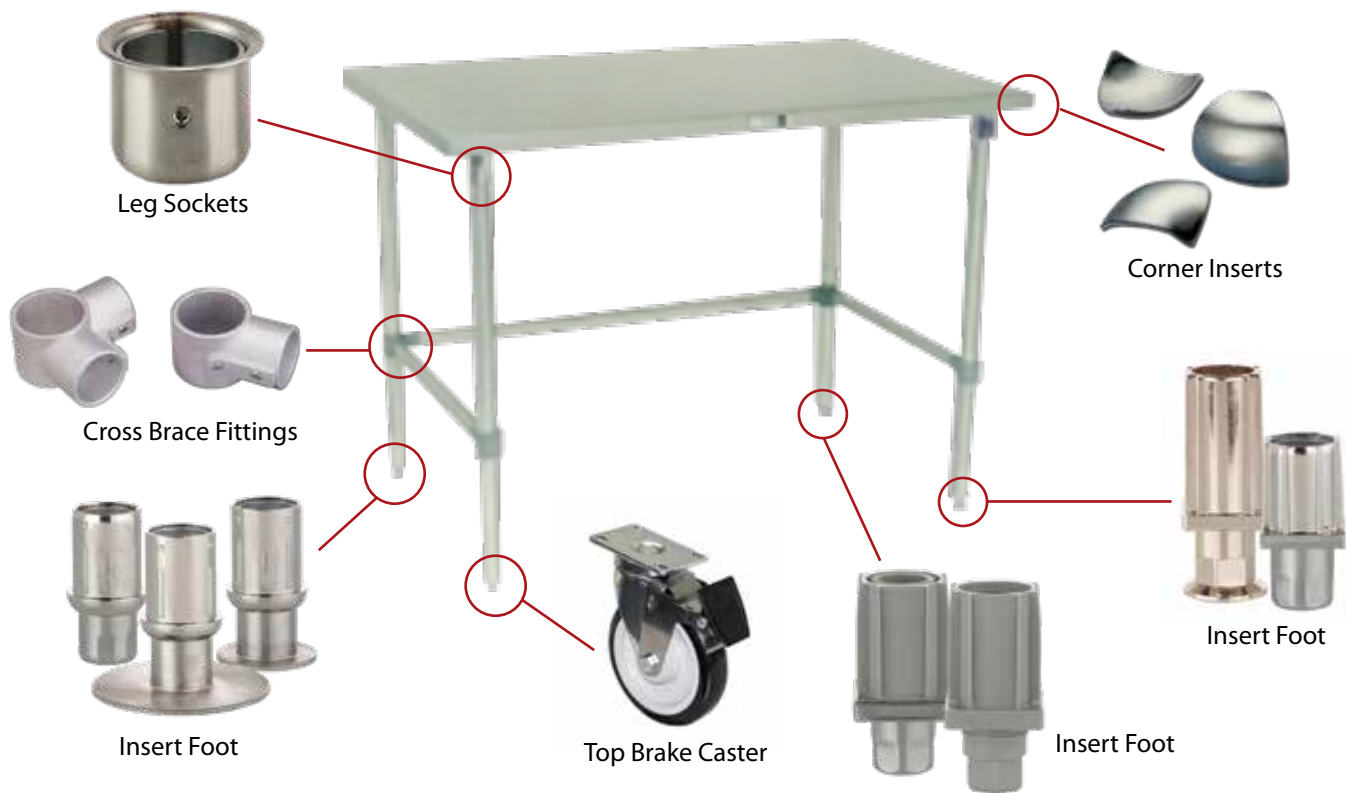


EU243



+31 (0)76-596 8699

# WORK TABLES



- ✓ INSERT FEET ARE AVAILABLE IN A WIDE VARIETY OF SIZES FOR SQUARE AND ROUND TUBES
- ✓ COME IN A GREAT VARIETY OF FINISHES, PLASTIC, ZAMAK, NICKEL PLATED AND STAINLESS STEEL
- ✓ A SUBSTANTIAL RANGE OF ADJUSTABLE INSERT LEGS
- ✓ NSF CERTIFIED MODELS AVAILABLE
- ✓ AVAILABLE FROM STOCK


- ✓ STELPOTEN VERKRIJGBAAR VOOR MEERDERE AFMETINGEN, VOOR RONDE EN VIERKANTE BUIZEN
- ✓ VERKRIJGBAAR IN VERSCHILLENDE MATERIELEN; PLASTIC, ZAMAK, VERCHROOMD EN RVS
- ✓ EEN UITGEBEIDE RANGE IN HOOGTE VERSTELBARE POOTJES
- ✓ NSF GECERTIFICEERDE MODELLEN VERKRIJGBAAR
- ✓ UIT VOORRAAD LEVERBAAR


- ✓ EINSCHLAGFÜSSE SIND ERHÄTLICH IN VIELEN VERSCHIEDENEN GRÖSSEN, FÜR RUND- UND VIERKANT ROHRE
- ✓ VERFÜGBAR IN UNTERSCHIEDLICHEN MATERIALIEN WIE ZAMAK (ALUMINIUM), KUNSTSTOFF, EDELSTAHL UND VERNICKELT
- ✓ DER WESENTLICHE BEDARF AN EINSCHLAGFÜSSEN WIRD ABGEDECKT
- ✓ NSF ZERTIFIZIERTE MODELLE SIND ERHÄTLICH
- ✓ LAGERWARE, DAHER KURZFRISTIG VERFÜGBAR

EU244


Items shown are for European market only, contact your CHG representative for further details



INP SERIES		INSERT FOOT, PLASTIC EINSCHLAGFUSS, KUNSTSTOFF VERINS POUR TUBES CARRÉS STELPOOT, KUNSTSTOF *OTHER COLORS AVAILABLE	ITEM	∅	↔	↕	↕	↕	↕
			INP 030 H	30	30	22	32		200
INP 035 H	35	35	32	36		200			
INP 035 H-SC	35	35	32	36		200			
INP 040 H	40	40	32	36		200			
INP 040 H-SC	40	40	32	36		200			
INP 070 H-B	70	70	153	54		450			
INP 070 H-G	70	70	153	54		450			
INP 424H-BLK	45	45	94	53		450			

IN - H SERIES		INSERT FOOT, ZAMAK, NICKEL PLATED, TUBE THICKNESS 1.2 TO 1.5MM EINSCHLAGFUSS, VERZINKT, ZAMAK, WANDSTÄRKE 1.2 TO 1.5MM VERINS POUR TUBES CARRÉS, GALVANISÉS, CHROMÉS, POUR ÉPAISSEUR DE TUBE DE 1.2 À 1.5 MM STELPOOT, VERZINKT, VERNIKKELD, WAND DIKTE 1.2 TO 1.5MM	ITEM	∅	↔	↕	↕	↕	↕
			IN 025	25	25	20	30		200
IN 025-NP	25	25	20	30		200			
IN 030 H	30	30	30	30		300			
IN 030 H-NP	30	30	30	30		300			
IN 035 H	35	35	25	30		450			
IN 035 H-NP	35	35	25	30		450			
IN 040 H	40	40	35	30		450			
IN 040 H-2 (2MM)	40	40	35	30		450			

IN - F SERIES		INSERT FOOT WITH FLANGE , ZAMAK, NICKEL PLATED EINSCHLAGFUSS MIT FLANSCH, VERZINKT, ZAMAK VERINS POUR TUBES CARRÉS, GALVANISÉS STELPOOT MET FLENS, VERZINKT, VERNIKKELD	ITEM	∅	↔	↕	↕	↕	↕
			IN 030 F	30	30	20	30		300
IN 030 F-NP	30	30	20	30		300			
IN 035 F	35	35	20	30		450			
IN 030 F-SP30	30	30	20	32		300			
IN 030 F-SP50	30	30	20	50		300			
IN 040 F	40	40	31	31		450			
IN 035 F-NP	35	35	20	20		450			
IN 040 F-NP	40	40	31	31		450			

IN - HSS SERIES		INSERT FOOT, NICKEL PLATED, STAINLESS STEEL EINSCHLAGFUSS, VERNICKELT, EDELSTAHL VERINS POUR TUBES, GALVANISÉS, INOX STELPOOT, VERNIKKELD, RVS	ITEM	∅	↔	↕	↕	↕	↕
			IN 035 H-SS	35	35	25	30		450
IN 040 H-SS	40	40	35	30		450			
IN 040 H-SS-2	40	40	35	30		450			


Items shown are for European market only, contact your CHG representative for further details


EU245





+31 (0)76-596 8699


# WORK TABLES


IN & INR SERIES	ITEM	SQUARE, 4-ECKIG, CARRÉ, VIERKANT					
		Ø	↔	↕	⌞	⌟	
 <p>INSERT FOOT, SQUARE OR ROUND, ZAMAK WITH OR WITHOUT FLANGE, NICKEL PLATED OR S/S</p> <p>STELLFUSS, 4-ECKIG ODER RUND, ZAMAK, MIT ODER OHNE FLANGE, NICKEL ODER EDELSTAHL</p> <p>VERINS CARRÉ OU ROND, ZAMAK NICKELÉ, EMBOUT INOX AVEC OU SANS FLANGE</p> <p>STELPOOT, VIERKANT OF ROND, ZAMAK MET EN ZONDER FLENS, VERNIKKELD OF RVS</p>	IN 040 F-SS	40	40	30		450	
	IN 040 F-SS50	40	40	30		450	
		ROUND, RUND, ROND, ROND					
	INR 040 F-SS	40		40	30		450
	INR 040 F-SS50	40		40	30		450
	INR 040 H-NP	40		35	35		450
	INR 040 H-SS	40		35	35		450


A59 SERIES	ITEM	Ø	↕			⌞	⌟
			↕	⌞	⌟		
 <p>EQUIPMENT LEG, STAINLESS STEEL, M10</p> <p>ANSCHRAUBFUSS, EDELSTAHL, M10</p> <p>PIED RÉGLABLE, INOX, M10</p> <p>STELPOOT, RVS, M10</p> <p>*MOUNTING PLATE</p> <p>NOTE: OTHER CONFIGURATIONS AVAILABLE ON REQUEST</p>	A59-1000*	59	120/150	30		700	
	A59-1100*	59	120/180	60		700	
	A59-1150	59	120/150	60		700	
	A59-1250	59	120/180	30		700	
	A59-0090	59	100/160	60		700	
	A59-1150-55	59	120/180	60		700	
	A59-1650	59	160/255	95		700	


A65 SERIES	ITEM	Ø	↕			⌞	⌟
			↕	⌞	⌟		
 <p>EQUIPMENT LEG, STAINLESS STEEL, M10</p> <p>ANSCHRAUBFUSS, EDELSTAHL, M10</p> <p>PIED RÉGLABLE, INOX, M10</p> <p>STELPOOT, RVS, M10</p> <p>*MOUNTING PLATE</p> <p>NOTE: OTHER CONFIGURATIONS AVAILABLE ON REQUEST</p>	A65-2000	65	120/150	30		700	
	A65-2100	65	120/180	60		700	
	A65-2200	65	120/150	30		700	
	A65-2300	65	120/180	60		700	
	A65-2000-IT*	65	120/150	30		700	
	A65-2400*	65	155/205	50		700	
	A65-2600-IT*	65	140/240	100		700	
	A65-2700*	65	155/205	50		700	

CUSTOM LEGS	ITEM	Ø	↕			⌞	⌟
			↕	⌞	⌟		
 <p>CUSTOM LEGS AVAILABLE ON REQUEST IN ANY CONFIGURATION REQUIRED</p> <p>MASSGESCHNEIDERT ANSCHRAUBFÜSSE AUFANFRAGE IN JEDER ERFORDERLICHEN KONFIGURATION VERFÜGBAR</p> <p>TAILLEUR SPÉCIFIQUE PIED RÉGLABLE DISPONIBLES SUR DEMANDE DANS TOUTE CONFIGURATION REQUISE</p> <p>STELPOTEN IN IEDERE SPECIFIEKE CONFIGURATIE OP AANVRAAG VERKRIJGBAAR</p>							

INA 030, 040 SERIES		INSERT FOOT, ALUMINIUM EINSCHLAGFUSS, ALUMINIUM VERINS POUR TUBES CARRÉS ALUMINIUM STELPOOT, ALUMINIUM	ITEM	SQUARE, 4-ECKIG, CARRÉ, VIERKANT					
				∅	↔	↕	⊥	↗	⚙
			INA 030 F	30	30	22	33		300
			INA 030 H	30	30	17	33		300
			INA 040 F	40	40	28,5	31,5		450
			INA 040 H	40	40	31	31		450

A48, 50 SERIES		EQUIPMENT LEG, STAINLESS STEEL , M12 ANSCHRAUBFUSS, EDELSTAHL , M12 PIED RÉGLABLE, INOX , M12 STELPOOT, RVS, M12  *ALL A48, 50 MODELS CAN BE PLATED MOUNTED BY FITTING THE MP1/SS ON TOP.	ITEM	∅	↔	↕	⊥	↗	⚙
						A48-5032-M	41		100
			A48-5048-M	41		150	44		900
			A50-5032-M	41	STUD	100	44		900
			A50-5048-M	41	STUD	150	44		900
			MP1/SS*			102 x 80			

A84, 86 SERIES		EQUIPMENT LEG, STAINLESS STEEL , M12 ANSCHRAUBFUSS, EDELSTAHL , M12 PIED RÉGLABLE, INOX , M12 STELPOOT, RVS, M12  *ALL A84, 86 MODELS CAN BE PLATED MOUNTED BY FITTING THE MP1/SS ON TOP.	ITEM	∅	↔	↕	⊥	↗	⚙
						A84-5032-M	50		100
			A84-5048-M	50		150	44		900
			A86-5032-M	50	STUD	100	44		900
			A86-5048-M	50	STUD	150	44		900
			MP1/SS*			102 x 80			

CASTERS		CASTERS FOR YOUR APPLICATION, WIDE RANGE AVAILABLE BRAKED AND UNBRAKED, SWIVEL OR FIXED, PLATE OR (EXPANDING) STEM ROLLENFÜHRREANWENDUNG, GROSSE AUSWAHL VERFÜGBAR. GEBREMST UND UNGEBREMST, DREHBAR ODER FESTSTEHEND, PLATTE ODER (SPREIZ-) VORBAU ROUES POUR VOTRE APPLICATION, LARGE GAMME DISPONIBLE. FREINÉS ET NON FREINÉS, PIVOTANTS OU FIXES, À TÔLE OU À TIGE (EXPANSIBLE) WIELEN VOOR UW TOEPASSING, BREED ASSORTIMENT BESCHIKBAAR. GEREMD EN ONGEREMD, DRAAIBAAR OF VAST, PLAAT OF (UITZETTENDE) STEEL  SEE PAGE EU253							

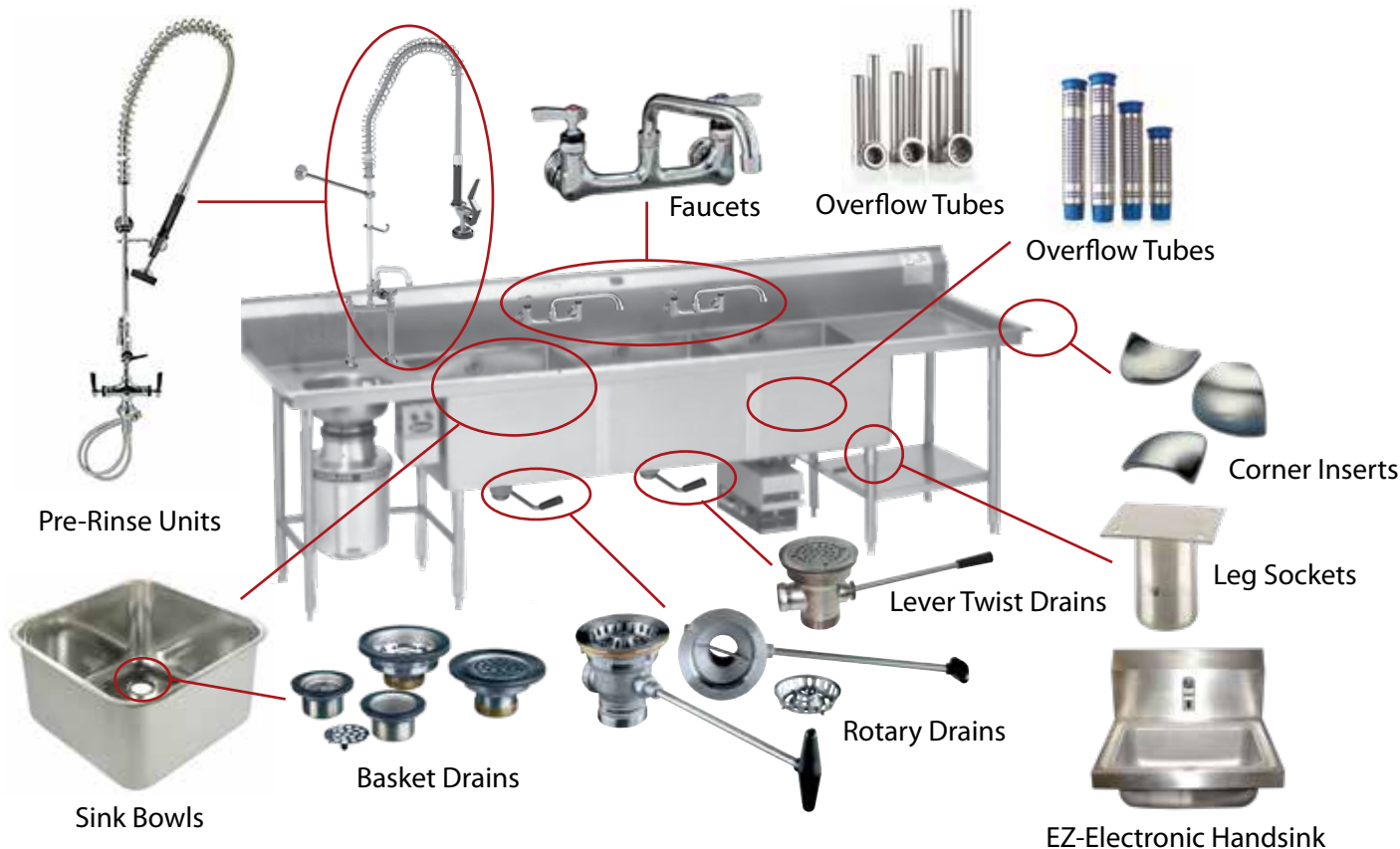
Items shown are for European market only, contact your CHG representative for further details

EU247



+31 (0)76-596 8699

# PLUMBING COMPONENTS



- ✓ ALL FAUCETS AND PRE-RINSES ARE CERTIFIED BY NSF
- ✓ FAUCETS AND PRE-RINSES ARE INDIVIDUALLY PRESSURE TESTED TO 400 PSI
- ✓ ALL FAUCETS AND PRE-RINSES ARE MANUFACTURED IN SOLID BRASS AND ARE MULTIPLE CHROME PLATED
- ✓ PRE-RINSES COME WITH A NYLON-REINFORCED SANTOPRENE® INNER HOSE FOR MAXIMUM DURABILITY
- ✓ IMMEDIATE SHIPMENT FROM STOCK IS ASSURED


- ✓ ALLE KRANEN EN VOORSPOELDOUCHES ZIJN GECERTIFICEERD VOLGENS NSF
- ✓ ELKE KRAAN EN VOORSPOELDOUCHE ONDERGAAT STANDAARD EEN DRUKTEST TOT 400 PSI
- ✓ ALL KRANEN EN VOORSPOELDOUCHES WORDEN GEFABRICEERD UIT MASSIEF BRONS EN MEERVOUDIG VERCHROOMD
- ✓ DE VOORSPOELDOUCHES HEBBEN EEN NYLON VERSTERKTE SANTOPRENE BINNENSLANG VOOR MAXIMALE LEVENSDUUR
- ✓ LEVERING UIT VOORRAAD GEGARANDEERD


- ✓ ALLE ARMATUREN UND GESCHIRRWASCHBRAUSEN SIND NSF ZERTIFIZIERT
- ✓ ALLE ARMATUREN UND GESCHIRRWASCHBRAUSEN SIND DRUCKGEPRÜFT BIS 400PSI
- ✓ ALLE ARMATUREN UND GESCHIRRWASCHBRAUSEN SIND AUS MASSIVEM MESSING GEFERTIGT UND MEHRFACH VERCHROMT
- ✓ GESCHIRRWASCHBRAUSEN SIND MIT NYLON VERSTÄRKTEM SCHLAUCH AUS SANTOPRENE AUSGESTATTET, DAS GARANTIERT MAXIMALE LEBENSDAUER
- ✓ SCHNELLE LIEFERUNG AUS LAGERVORRAT IST GEWÄHRLEISTET


EU248


Items shown are for European market only, contact your CHG representative for further details

# PLUMBING COMPONENTS

KL50, 56, 60, 66 SERIES		ITEM	Ø	↔	↕	↙	↘	↻
	ENCORE, DECK MOUNT PRE-RINSE UNIT, WITH AND WITHOUT ADD ON FAUCET, 10 MM WATER CONNECTIONS	KL50-1100-BS	38	380	1009			
		KL50-1155-BS10	38	380	1009			
	ENCORE GESCHIRRSPÜLBRÄUSE MIT UND OHNE SCHWENKAUSLAUF, 10 MM WASSERANSCHLUSS							
		KL50-MINI-EU			242	716		
	ENCORE DOUCHETTES DE PRÉLAVAGE, MONO-TROU, MONTAGE SUR TABLE, SANS ET AVEC ROBINET INTERMÉDIAIRE, 10 MM CONNECTION		KL55-7008		203	219		
		KL55-7010			254	230		
	KL55-7012			305	242			
ENCORE VOORSPOELDOUCHE, ENKELGAT, TAFELMODEL, 10 MM WATER AANSLUITINGEN								

KL53 SERIES		ITEM	Ø	↔	↕	↙	↘	↻
	ENCORE WALL MOUNT DOUBLE HOLE PRE-RINSE UNIT WITH AND WITHOUT ADD ON FAUCET	KL53-1000-BS		448	902		200	
		KL53-1020-BS		468	902		150	
	ENCORE GESCHIRRWASSCHBRÄUSE DOPPELLOCH WANDMODEL, MIT UND OHNE SCHWENKAUSLAUF	KL53-1000-AF3MK		448	1009			
	ENCORE DOUCHETTES DE PRÉLAVAGE, BI-TROU, FIXATION MURALE, SANS ET AVEC ROBINET INTERMÉDIAIRE	KL55-7008			203	219		
		KL55-7010			254	230		
	KL55-7012			305	242			
ENCORE, VOORSPOELDOUCHE DUBBELGATS WANDMODEL, MET EN ZONDER TUSSENKRAAN								

TOP-LINE SERIES		ITEM	Ø	↔	↕	↙	↘	↻
	TOP-LINE, DECK MOUNT PRE-RINSE UNIT, WITHOUT ADD ON FAUCET, 10 MM WATER CONNECTIONS	TLL50-1100-AF3		380	1076			
		TLL50-1100-BR		380	1076			
	TOP-LINE GESCHIRRSPÜLBRÄUSE OHNE SCHWENKAUSLAUF, 10 MM WASSERANSCHLUSS							
	TOP-LINE DOUCHETTES DE PRÉLAVAGE, MONO-TROU MONTAGE SUR TABLE, SANS ROBINET INTERMÉDIAIRE, 10 MM CONNECTION							
TOP-LINE VOORSPOELDOUCHE, ENKELGAT, TAFELMODEL, 10 MM WATER AANSLUITINGEN								

KL51 SERIES		ITEM	Ø	↔	↕	↙	↘	↻
	ENCORE, DOUBLE PANTRY FAUCET, WITH SWIVEL AND DOUBLE JOINTED SPOUTS	KL51-9106	38	152	211			
		KL51-9108	38	203	224			
	ENCORE DOPPELMISCHARMATURE MIT SCHWENKBAREM AUSLAUF	KL51-9110	38	254	235			
		KL51-9112	38	305	246			
	ENCORE ROBINET PROFESSIONEL, MONO-TROU POUR TABLE, ROTATION COMPLÈTE AVEC COL DE CYGNE	KL51-9114	38	356	257			
		KL51-9116	38	406	268			
	ENCORE PROFESSIONELE KRAAN, ENKELGAT, TAFELMODEL, ZWENKBARE UITLOOP, 10 MM WATER AANSLUITING	KL51-9118	38	457	255			
	AVAILABLE WITH DIFFERENT SPOUT STYLES							

Items shown are for European market only, contact your CHG representative for further details


EU249





+31 (0)76-596 8699




# PLUMBING COMPONENTS

K77 SERIES		ITEM	∅	↔	↕	↴	↵	↶		
		ENCORE 8" SERVICE SINK FAUCET 63MM SPOUT, WITH OPTIONAL (SS) VACUUM BREAKER	<b>K77-8102-SD</b>		130	98				VACUUM BREAKER SS
			<b>K77-8102</b>		130	98				VACUUM BREAKER
		ENCORE 8" SERVICE SPÜLE-WASSERHAHN 63MM AUSLAUF MIT OPTIONALEM (EDELSTAHL) VAKUUM-UNTERBRECHER	<b>K77-8002</b>		130	98				NO VACUUM BREAKER
ENCORE 8" ROBINET DE SERVICE, 63MM COL DE CYGNE, AVEC (SS) CLAPET CASSE-VIDE EN OPTION										
ENCORE 8" SERVICE KRAAN, 63MM UITLOOP MET OPTIONELE (RVS) VACUUM BREAKER										

SERVICE PARTS		ITEM	∅	↔	↕	↴	↵	↶		
		ENCORE SERVICE PARTS, COMPRESSION VALVES, SPRAY ASSEMBLY, BUTTON VALVE, HOSE AND GRIP.	<b>KL50-Y006</b>							COMPRESSION VALVE COLD
			<b>KL50-Y007</b>							COMPRESSION VALVE HOT
		ENCORE-SERVICETEILE, KOMPRESSIONSVENTILE, VORSPÜLSPRAY, KNOPFVENTIL, SCHLAUCH UND GRIFF	<b>KL50-Y002-16Z</b>							PRE-RINSE SPRAY ASSEMBLY
	<b>KL50-Y004-44Z</b>							FLEXIBLE S/S HOSE 44" WITH GRIP		
ENCORE PIÈCES DE RECHANGE, VANNES DE COMPRESSION, ENSEMBLE DE PULVÉRISATION DE PRÉRINÇAGE, VANNE À BOUTON, TUYAU ET POIGNÉE	<b>KN50-X025-Z</b>							GRIP		
	<b>KL50-Y027-Z</b>							BUTTON VALVE		
ENCORE SERVICE-ONDERDELEN, COMPRESSIEKLEPPEN, VOOR-SPOELSPRAY, KNOPVENTIEL, SLANG EN GREEP	<b>KS11-12-X010</b>		245		SPOUT					

QUIK-FIL SERIES		ITEM	∅	↔	↕	↴	↵	↶		
		ENCORE QUIK-FIL WALL MOUNT / PILLAR FAUCET WITH SWING SPOUT	<b>KL34-3012-SE2</b>		508	696				
			<b>KL34-8014</b>		355	235				
		ENCORE QUIK-FIL WAND MONTAGE / SOCKEL DOPPELMISCHARMATUR MIT SCHWENKBAREM AUSLAUF	<b>KL34-Y006</b>							QUIK-FIL VALVE COLD
ENCORE QUIK-FIL ROBINET PROFESSIONEL, BI-TROU FIXATION MURALE / COLONNE, ROTATION COMPLÈTE AVEC COL DE CYGNE	<b>KL34-Y007</b>							QUIK-FIL VALVE HOT		
ENCORE QUIK-FIL PROFESSIONELE KRAAN, WANDMONTAGE / PILAAR DUBBELGATS VERSTELBAAR, ZWENKBARE UITLOOP	<b>KL34-Y014</b>							QUIK-FIL SPOUT 14"		

KL56/60/66 SERIES		ITEM	∅	↔	↕	↴	↵	↶		
		ENCORE DECK MOUNT ELEVATED BRIDGED DOUBLE HOLE PRE-RINSE UNIT WITH AND WITHOUT ADD ON FAUCET	<b>KL56-1000-BS</b>		102	978				
			<b>KL60-1000-BS</b>		203	978				
		ENCORE GESCHIRRWASSCHBRAUSE DOPPELLOCH DECK MONTIERT ERHÖHTE BRÜCKE, MIT UND OHNE SCHWENKAUSLAUF	<b>KL66-1000-BS</b>		152	978				
ENCORE DOUCHETTES DE PRÉLAVAGE, BI-TROU, PONT SURÉLEVÉ, MONTÉ SUR LE PONT, AVEC ET SANS ROBINET INTERMÉDIAIRE	<b>KL55-7008</b>		203	219						
	<b>KL55-7010</b>		254	230						
ENCORE, VOORSPOELDOUCHE DUBBELGATS BLAD MODEL, VERHOOGDE BRUG, MET EN ZONDER TUSSENKRAAN	<b>KL55-7012</b>		305	242						
AVAILABLE WITH ELEVATION SET	<b>KL60-Y200</b>			200						
	<b>TLL60-Y200</b>			200						

EU250

Items shown are for European market only, contact your CHG representative for further details



# PLUMBING COMPONENTS

KL54 SERIES	ENCORE, WALL MOUNT FAUCET WITH SWING SPOUT  ENCORE WAND MONTAGE DOPPELMISCHARMATUR MIT SCHWENKBAREM AUSLAUF  ENCORE ROBINET PROFESSIONEL, BI-TROU FIXATION MURALE, ROTATION COMPLÈTE AVEC COL DE CYGNE  ENCORE PROFESSIONELE KRAAN, DUBBELGATS VERSTELBAAR, ZWENKBARE UITLOOP	ITEM	∅	↔	↕	↙	↘	↻
		KL54-8006	152	141				
KL54-8008	203	154						
KL54-8010	254	165						
KL54-8012	305	176						
KL54-8014	356	187						
KL54-8016	406	200						

KL61 SERIES	ENCORE 8" DOUBLE DECK MOUNT FAUCET WITH SWIVEL SPOUT  ENCORE 8" DOPPELMISCHARMATUR MIET SCHWENKBARENAUSLAUF  ENCORE 8" ROBINET PROFESSIONEL, BI-TROU POUR TABLE, ROTATION COMPLÈTE AVEC COL DE CYGNE  ENCORE 8" PROFESSIONELE KRAAN, DUBBELGATS VERSTELBAAR, TAFELMODEL, ZWENKBARE RECHTE UITLOOP  * ALSO AVAILABLE IN 4,6 AND 7" BODY WIDTH.	ITEM	∅	↔	↕	↙	↘	↻
		KL61-8010	254	108				
KL61-8012	305	120						
KL61-8014	356	131						
KL61-8016	406	143						
KL61-8018	457	160						

THE ULTIMATE TOUCH FREE HANDWASH SOLUTION	INDUSTRY FIRST – 750,000 CYCLE BATTERY LIFE (375,000 HAND WASHES) ENERGY-EFFICIENT "LATCHING" (BI-STABLE) SOLENOID ONLY USES POWER TO OPEN OR CLOSE AUTO-RANGING FEATURE AUTOMATICALLY ADJUSTS SENSING RANGE ARMORED/VANDAL-RESISTANT DC INPUT POWER CABLE (2) 18" BRAIDED STAINLESS STEEL SUPPLY LINES INCLUDED DC MODELS POWERED WITH (4) 1.5V AA BATTERIES (INCLUDED) INFRARED SENSOR ACTIVATED SELF-ADAPTING SENSOR DISTANCE ADJUSTMENT 1 SECOND SHUT-OFF DELAY 20 SECOND ADJUSTABLE AUTOMATIC TIME-OUT FEATURE (COMPLIES WITH FDA FOOD CODE) ADJUSTABLE RANGE OF ACTION	ITEM	∅	↔	↕	↙	↘	↻
		KE24-B031-CA0						
KE24-B131-CA0								
KE24-B031-CB0								
KE24-B131-CB0								
KE25-B031-CA0								
KE25-B131-CA0								
KE25-B031-CB0								
KE25-B131-CB0								

KHR SERIES	HOSE REELS, GRAY POWDER COATED (A) AND STAINLESS STEEL (B)  SCHLAUCHAUFROLLER, GRAU PULVERBESCHICHTET UND EDELSTAHL  DÉVIDOIR MURAL, COUCHE DE PEINTURE EN POUDRE OU EN INOX  SLANGHASPELS, GECOAT (A) EN RVS (B)  10 METERS/15 METERS	ITEM	∅	↔	↕	↙	↘	↻
				OPEN HOSE REELS				
KHR-5635-O	368	349						
KHR-5635-OSS	368	349						
		CLOSED HOSE REELS						
KHR-5635-E	470	381						
KHR-5635-ESS	470	381						


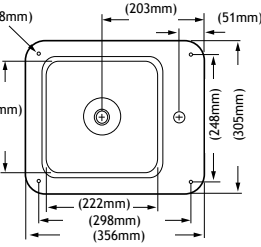
Items shown are for European market only, contact your CHG representative for further details


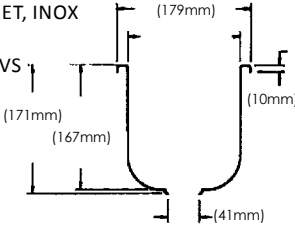
EU251




+31 (0)76-596 8699

# PLUMBING COMPONENTS


<b>K27-1000</b> 	WATER STATION FILLER, CHROME PLATED, STAINLESS STEEL WASSERSTATION GLASFÜLLER, VERCHROMT EDELSTAHL STATION D'EAU AVEC ROBINET COLONNE, INOX WATERSTATION GLASVULLER, VERCHROOMD RVS		<b>ITEM</b> <b>K27-1000</b> <b>K27-Y001</b> <b>K26-5000</b> <b>K26-0010-Z</b>	Ø 356	↔ 305	↕ 248	⚡ 248	⚡ 248	⚡ 248
	WATER STATION FILLER, CHROME PLATED, STAINLESS STEEL WASSERSTATION GLASFÜLLER, VERCHROMT EDELSTAHL STATION D'EAU AVEC ROBINET COLONNE, INOX WATERSTATION GLASVULLER, VERCHROOMD RVS		SINK WITH GRID GLASS FILLER REPAIR KIT						


<b>K30-1010</b> 	DIPPERWEL ASSEMBLY WITH FAUCET, STAINLESS STEEL PORTIONIERERSPÜLE MIT AUSLAUFHAHN, EDELSTAHL RINCE DOSEUR AVEC ROBINET, INOX IJSLEPELBAK MET KRAAN, RVS		<b>ITEM</b> <b>K30-1010</b> <b>K30-1000</b> <b>K30-Y001</b> <b>K30-Y002</b> <b>KL22-3100-Z</b>	Ø 180	↔ 166	↕ 166	⚡ 166	⚡ 166	⚡ 166
	DIPPERWEL ASSEMBLY WITH FAUCET, STAINLESS STEEL PORTIONIERERSPÜLE MIT AUSLAUFHAHN, EDELSTAHL RINCE DOSEUR AVEC ROBINET, INOX IJSLEPELBAK MET KRAAN, RVS		WITHOUT FAUCET INNER SHELL OUTER SHELL DIPPERWEL FAUCET						


<b>D50 SERIES</b> 	TWIST HANDLE WASTE OUTLET WITH FLAT STRAINER ABLAUFVENTIL SPÜHLBECKEN MIT GEBOGENEM HEBEL MIT FLACHEM SIEB EVACUATION D'EVIER AVEC LEVIER ROTATIVE AFVOER SPOELBAK MET GEBOGEN DRAAIHENDEL MET VLAKKE ZEEF ALL MODELS AVAILABLE WITH LEVER HANDLE ALL MODELS WITH 76MM SINK OPENING AVAILABLE WITH BOX PATTERN DRAIN (D23/D63 SERIES)	<b>ITEM</b> <b>D50-4161 (1-1/2" NPS)</b> <b>D50-7100 (1-1/2" NPS)</b> <b>D50-4151 (1-1/2" NPS)</b> <b>D50-7110 (1-1/2" NPS)</b> <b>D50-4591 (1-1/2" NPS)</b> <b>D50-7115 (1-1/2" NPS)</b> <b>D50-4160 (2" NPS)</b> <b>D50-7200 (2" NPS)</b> <b>D50-4150 (2" NPS)</b> <b>D50-7210 (2" NPS)</b> <b>D50-4590 (2" NPS)</b> <b>D50-7215 (2" NPS)</b>	Ø 76	↔ 101	OVERFLOW OUTLET YES	OVERFLOW ASSY YES
	TWIST HANDLE WASTE OUTLET WITH FLAT STRAINER ABLAUFVENTIL SPÜHLBECKEN MIT GEBOGENEM HEBEL MIT FLACHEM SIEB EVACUATION D'EVIER AVEC LEVIER ROTATIVE AFVOER SPOELBAK MET GEBOGEN DRAAIHENDEL MET VLAKKE ZEEF ALL MODELS AVAILABLE WITH LEVER HANDLE ALL MODELS WITH 76MM SINK OPENING AVAILABLE WITH BOX PATTERN DRAIN (D23/D63 SERIES)		Ø 89	↔ 114	OVERFLOW OUTLET YES	OVERFLOW ASSY YES

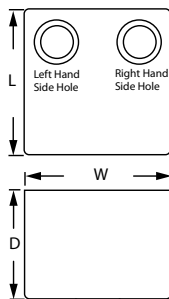
<b>D53 SERIES</b> 	TWIST HANDLE WASTE OUTLET WITH CRUMB CUP ABLAUFVENTIL SPÜHLBECKEN MIT GEBOGENEM HEBEL MIT TOPSIEB EVACUATION D'EVIER AVEC LEVIER ROTATIVE AFVOER SPOELBAK MET GEBOGEN DRAAIHENDEL MET ZEEF ALL MODELS AVAILABLE WITH LEVER HANDLE	<b>ITEM</b> <b>D53-7100 (1-1/2" NPS)</b> <b>D53-7200 (2" NPS)</b> <b>D53-7110 (1-1/2" NPS)</b> <b>D53-7210 (2" NPS)</b> <b>D53-7115 (1-1/2" NPS)</b> <b>D53-7215 (2" NPS)</b>	Ø 89	↔ 114	OVERFLOW OUTLET YES	OVERFLOW ASSY YES
	TWIST HANDLE WASTE OUTLET WITH CRUMB CUP ABLAUFVENTIL SPÜHLBECKEN MIT GEBOGENEM HEBEL MIT TOPSIEB EVACUATION D'EVIER AVEC LEVIER ROTATIVE AFVOER SPOELBAK MET GEBOGEN DRAAIHENDEL MET ZEEF ALL MODELS AVAILABLE WITH LEVER HANDLE		Ø 89	↔ 114	OVERFLOW OUTLET YES	OVERFLOW ASSY YES

# PLUMBING COMPONENTS

E13 & E18 SERIES		ITEM	Ø	↔	↕	↙	↘	↻
	OVERFLOW TUBE, STAINLESS STEEL	E13-1240 (1-1/4")	31		240			
	STANDROHR, EDELSTAHL	E18-1250 (1-1/4")	31	DRAIN				
	TROP-PLEINS, INOX	E13-0242 (1-1/2")	38		254			
	STANDPIJP, RVS	E13-0244 (1-1/2")	38		305			
		E13-0245 (1-1/2")	38		125			
		E13-0246 (1-1/2")	38		170			
		E13-0247 (1-1/2")	38		200			
		E13-0248 (1-1/2")	38		220			
		E13-0250 (1-1/2")	38		270			
		E18-1500/4 (1-1/2")	38	DRAIN				
		E13-2130 (2")	50		130			
		E13-2150 (2")	50		170			
		E13-2200 (2")	50		200			
		E13-2250 (2")	50		250			
		E13-2300 (2")	50		300			
		E13-2350 (2")	50		350			
		E18-2000 (2")	50	DRAIN				

SS SERIES		ITEM	Ø	↔	↕	↙	↘	↻
	OVERFLOW TUBE, STAINLESS STEEL	SS 08	38		155			
	SIEBSTANDROHRE, EDELSTAHL	SS 10	38		205			
	TROP-PLEINS, INOX	SS 12	38		255			
	STANDPIJPEN, RVS	SS 14	38		305			
		E18-1500/4 (1-1/2")	38	DRAIN				

SBM SERIES		ITEM	Ø	↔	↕	↙	↘	↻
	SINK BOWLS, STAINLESS STEEL	SBM-404020-TF		400	400	200		
	WASCHBECKEN, EDELSTAHL	SBM-404025-TF		400	400	250		
	ÉVIERS, INOX	SBM-404030-TF		400	400	300		
	SPOELBAKKEN, RVS	SBM-504025-TFL		500	400	250		
		SBM-504025-TFR		500	400	250		
		SBM-504030-TFL		500	400	300		
		SBM-504030-TFR		500	400	300		
		SBM-505025-TF		500	500	250		
		SBM-505030-TF		500	500	300		
		SBM-604530-TFL		600	450	300		
		SBM-604530-TFR		600	450	300		
		SBM-605030-TFL		600	500	300		
		SBM-605030-TFR		600	500	300		



Items shown are for European market only, contact your CHG representative for further details

EU253



+31 (0)76-596 8699

# CAFETERIA COMPONENTS





- ✓ A VERY EXTENSIVE RANGE OF COMPONENTS TO ALLOW OUR CUSTOMERS TO DO ONE-STOP SHOPPING
  - ✓ HEAVY DUTY STAINLESS STEEL SHELF BRACKETS AVAILABLE IN VARIOUS SIZES AND MODELS
  - ✓ GLASS CLAMPS FOR ROUND AND SQUARE TUBING FOR 6 AND 8MM GLASS
  - ✓ LED FIXTURES UTILIZE LONG-LASTING, ENERGY EFFICIENT LED LAMPS
- 
- ✓ EEN ZEER UITGEBREIDE RANGE COMPONENTEN DIE 'ONE-STOP SHOPPING' MOGELIJK MAAKT
  - ✓ HEAVY DUTY RVS DRAGERS VERKRIJGBAAR IN MEERDERE MODELLEN EN AFMETINGEN
  - ✓ GLASHOUDERS VOOR ZOWEL RONDE ALS VIERKANTE BUIZEN VOOR 6 EN 8 MM GLAS
  - ✓ LED ARMATUREN MAKEN GEBRUIK VAN DUURZAME, ENERGIEZUINIGE LED LAMPEN
- 
- ✓ EINE SEHR GROSSE AUSWAHL VON KOMPONENTEN, DIE ES UNSEREN KUNDEN MÖGLICH MACHT ALLES AUS EINER HAND ZU ERHALTEN (ONE-STOP SHOPPING)
  - ✓ SCHWERLAST (KLAPP)-KONSOLEN AUS EDELSTAHL, ERHÄLTICH IN VERSCHIEDENEN GRÖSSEN UND MODELLEN
  - ✓ GLASHALTER AUS EDELSTAHL FÜR RUND UND VIERKANTROHR FÜR 6 UND 8MM GLAS, AUCH IN V4A LIEFERBAR
  - ✓ LED LAMPEN FÜR LANGLEBIGEN UND ENERGIESPARENDEN EINSATZ


EU254

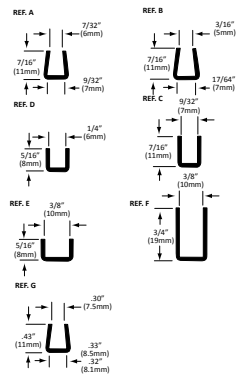
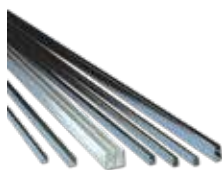
Items shown are for European market only, contact your CHG representative for further details

# CAFETERIA COMPONENTS

CASTERS	<p>CASTERS FOR YOUR APPLICATION, WIDE RANGE AVAILABLE BRAKED AND UNBRAKED, SWIVEL OR FIXED, PLATE OR (EXPANDING) STEM</p> <p>ROLLEN FÜR IHRE ANWENDUNG, GROSSE AUSWAHL VERFÜGBAR. GEBREMSTUNDUNGBREMST,DREHBARODERFESTSTEHEND,PLATTE ODER (SPREIZ-) VORBAU</p> <p>ROUES POUR VOTRE APPLICATION, LARGE GAMME DISPONIBLE. FREINÉS ET NON FREINÉS, PIVOTANTS OU FIXES, À TÔLE OU À TIGE (EXPANSIBLE)</p> <p>WIELENVOORUWTOEPASSING, BREEDASSORTIMENT BESCHIKBAAR. GEREMD EN ONGEREMD, DRAAIBAAR OF VAST, PLAAT OF (UITZETTENDE) STEEL</p>	ITEM	∅	↔	↑↓	↙↘	↻	⚙
			<p><b>CSS30-4RPN</b></p> <p><b>CSS30-4RLN</b></p>	30 SQUARE	130			

J19 SERIES	<p>SHELF AND TRAY SLIDE BRACKET, FOLD DOWN, STAINLESS STEEL</p> <p>KLAPPKONSOLE ODER FESTE KONSOLE FÜR TABLETTRUTSCHEIBE, EDELSTAHL</p> <p>CONSOLE RABATTABLE OU FIXE POUR RAMPE A PLATEAU, INOX</p> <p>VASTE OF NEERKLAPBARE DRAGERS VOOR CAFETERIA SYSTEMEN, RVS</p>	ITEM	∅	↔	↑↓	↙↘	↻	⚙
			<p><b>J19-4355</b></p> <p><b>J19-4360</b></p> <p><b>J19-4967</b></p> <p><b>J17-4270</b></p> <p><b>J17-4273</b></p> <p><b>J19-4955-LT</b></p> <p><b>J19-4960-LT</b></p> <p><b>J19-4966</b></p> <p><b>J19-4960</b></p>	321	86		102	

JE31 SERIES	<p>GLASS CLAMP FOR SQUARE AND ROUND TUBING, STAINLESS STEEL</p> <p>GLASHALTER FÜR RUND UND 4-KANT ROHR, EDELSTAHL</p> <p>CRAMPON VITRE POUR TUBES RONDES ET CARRÉS, INOX</p> <p>GLASHOUDER VOOR RONDE EN VIERKANTE BUIS, RVS</p> <p>ALSO AVAILABLE IN SS 316</p>	ITEM	∅	↔	↑↓	↙↘	↻	⚙
			<p><b>JE31-2900</b></p> <p><b>JE31-2902</b></p> <p><b>JE31-2905</b></p> <p><b>JE31-2906</b></p> <p><b>JE31-2907</b></p> <p><b>JE31-2908</b></p>	25	33.5		6	

B70 SERIES	<p>GLASS CAPPING, STAINLESS STEEL</p> <p>GLASEINFASSPROFIL, EDELSTAHL</p> <p>PROFIL POUR VITRE, INOX</p> <p>GLASDEURPROFIEL, RVS</p>		ITEM	∅	↔	↑↓	↙↘	↻	⚙
				<p><b>B70-1001 (A)</b></p> <p><b>B70-1002 (B)</b></p> <p><b>B70-1003 (C)</b></p> <p><b>B70-1005 (D)</b></p> <p><b>B70-1007 (E)</b></p> <p><b>B70-1008 (F)</b></p> <p><b>B70-1009 (G)</b></p>	3650	11		7	

Items shown are for European market only, contact your CHG representative for further details


EU255




+31 (0)76-596 8699



# CAFETERIA COMPONENTS

L82 SERIES		ITEM	∅	↔	↕	↕	↕	↕
 <b>CE</b>	LED LIGHT, CE, IP 66 RATED, STAINLESS STEEL FACE	<b>L82-1020-CE</b>		610	150			
	LED EINBAULEUCHTE, CE, IP 66, EDELSTAHL	<b>L82-1030-CE</b>		914	150			
	LED ECLAIRAGE ENCASTRABLE POUR HOTTE, CE, IP 66, FACE INOX	<b>L82-1040-CE</b>		1219	150			
	LED INBOUW VERLICHTINGSARMATUUR, CE, IP 66, RVS AFWERKING	<b>L82-1030-LED-CE-N</b>		914	150	NATURAL		
		<b>L82-1030-LED-CE-W</b>		914	150	WARM		
		<b>L82-1040-LED-CE-N</b>		1219	150	NATURAL		
	<b>L82-1040-LED-CE-W</b>		1219	150	WARM			
	TEMPERATURE RATING OF 75°C							

CUP DISPENSERS		ITEM	∅	↔	↕	↕	↕	↕
	CUP DISPENSER, STAINLESS STEEL	<b>C3200CH</b>	135		610	HORIZONTAL		
	BECHERSPENDER VERSTELLBAR, EDELSTAHL	<b>C3200CV</b>	135		610	VERTICAL		
	DISTRIBUTEURS DE GOBELETS, INOX	<b>C3400CH</b>	150		610	HORIZONTAL		
	BEKERVERDELERS, RVS	<b>C3400CV</b>	150		610	VERTICAL		
		<b>C3450SS</b>	135		610			
		<b>C3500CH</b>	170		610	HORIZONTAL		

CONTEMPO SERIES		ITEM	∅	↔	↕	↕	↕	↕
	CORNER BUMPERS AND STRIPS, BLACK, GREY	<b>C60-1010</b>	127		19			
	STOSSECKE UND STOSSSTREIFEN, SCHWARZ, GRAU	<b>C60-1030</b>		88	23			
	PARE CHOCS ET BANDE PARE CHOCS, NOIRE, GRIS	<b>C60-1040</b>		104	23			
	STOOTBUMPERS EN STRIPS, ZWART EN GRIJS	<b>C60-1050</b>		111	32			
		<b>C60-5010</b>		7600	22			
		<b>C60-1040-B</b>		104	23			
	<b>C60-1050-B</b>		111	32				



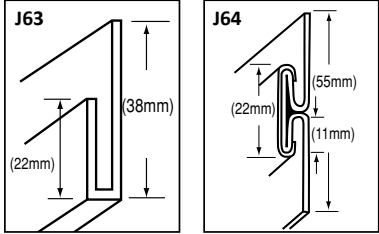


C65 SERIES		ITEM	∅	↔	↕	↕	↕	↕
	CORNER BUMPERS AND STRIPS, BLACK, GREY	<b>C65-1010 (C)</b>		97	25			
	STOSSECKE UND STOSSSTREIFEN, SCHWARZ, GRAU	<b>C65-2120 (D)</b>		3050	22			
	PARE CHOCS ET BANDE PARE CHOCS, NOIRE, GRIS	<b>C65-3120 (D)</b>		3050				
	STOOTBUMPERS EN STRIPS, ZWART EN GRIJS	<b>C65-5090 (A)</b>		85	22			
		<b>C65-5000 (B)</b>		76	22			

EU256

Items shown are for European market only, contact your CHG representative for further details



# CAFETERIA COMPONENTS

<p><b>BRITE GARD</b></p> 	<p>BRITE GARD STAINLESS STEEL CLEANER / PROTECTANT</p> <p>BRITE GARD EDELSTAHLREINIGER / SCHUTZMITTEL</p> <p>BRITE GARD INOX NETTOYANT / PROTECTANT</p> <p>BRITE GARD RVS REINIGER / BESCHERMER</p>	<p>ITEM</p> <p><b>Q85-2004</b></p> <p><b>Q85-2016</b></p> <p><b>Q85-2128</b></p>	<p>Ø</p> <p>118ML SPRAY</p> <p>474ML SPRAY</p> <p>3,8LTR CAN</p>	<p>↔</p>	<p>↕</p>	<p>↙</p>	<p>↘</p>	<p>⚙</p>
<p><b>J63 &amp; J64 SERIES</b></p> 	<p>CAP STRIP AND DIVIDER BAR, STAINLESS STEEL</p> <p>ABDECKUNG, EDELSTAHL</p> <p>MOULURE, INOX</p> <p>AFDEKLIJST, RVS</p> 	<p>ITEM</p> <p><b>J63-1451-8.2</b></p> <p><b>J64-1450-8.2</b></p>	<p>Ø</p> <p>2500</p> <p>2500</p>	<p>↔</p>	<p>↕</p>	<p>↙</p>	<p>↘</p>	<p>⚙</p>
<p><b>6350 &amp; J92 SERIES</b></p> 	<p>SCRAP RING SOLID RUBBER, BLACK, GREY DROP IN SCRAP CHUTE, STAINLESS STEEL</p> <p>GUMMI ABFALLROHRE FLACH SCHWARZ, GRAU</p> <p>ABFALLROHRRING, EDELSTAHL</p> <p>JOINTS VIDE ORDURES EN CAOUTCHOUC, NOIRE, GRIS JOINTS VIDE ORDURE EN, INOX A ENCASTRER</p> <p>RUBBEREN AFVALKOKERRING, ZWART, GRIJS DROP IN AFVALKOKERRING, RVS</p>	<p>ITEM</p> <p><b>6350-B</b></p> <p><b>6350-G</b></p> <p><b>6351</b></p> <p><b>6360</b></p> <p><b>6352-G</b></p> <p><b>6352-Z</b></p> <p><b>J92-1000</b></p> <p><b>J92-5000</b></p>	<p>Ø</p> <p>200</p> <p>200</p> <p>238</p> <p>207</p> <p>251</p> <p>251</p> <p>152</p> <p>146</p>	<p>↔</p> <p>235</p> <p>235</p> <p>268</p> <p>279</p> <p>279</p> <p></p> <p>133</p> <p>133</p>	<p>↕</p> <p>50</p> <p>50</p> <p></p> <p>68</p> <p>68</p> <p>133</p> <p>133</p>	<p>↙</p>	<p>↘</p>	<p>⚙</p>
<p><b>J70 SERIES</b></p> 	<p>COVE CORNER, SQUARE AND BULL NOSE INSERTS, STAINLESS STEEL</p> <p>ECK EINSATZSTÜCKEN, EDELSTAHL</p> <p>COIN A SOUDER EN ACIER, INOX</p> <p>HOEK EN BUIS INLASTUKKEN, RVS</p>	<p>ITEM</p> <p><b>J70-4691</b></p> <p><b>J70-4701</b></p> <p><b>J72-4711</b></p> <p><b>J72-4731</b></p> <p><b>J74-4721</b></p> <p><b>J74-4723</b></p> <p><b>J74-4725</b></p>	<p>Ø</p> <p>25</p> <p>25</p> <p>38</p> <p>50</p> <p>38</p> <p>44</p> <p>41</p>	<p>↔</p>	<p>↕</p>	<p>↙</p>	<p>↘</p>	<p>⚙</p>

Items shown are for European market only, contact your CHG representative for further details

EU257



+31 (0)76-596 8699

# CABINET HARDWARE



- ✓ A VERY EXTENSIVE RANGE OF COMPONENTS TO ALLOW OUR CUSTOMERS TO DO ONE-STOP SHOPPING
- ✓ DECORATIVE HANDLES AND KNOBS AND PULLS COME IN A WIDE VARIETY OF MODELS AND SIZES
- ✓ NSF LISTED FULL EXTENSION DRAWER SLIDES WITH 50 AND 100 KG LOAD CAPACITY
- ✓ DRAWER ASSEMBLIES HAVE A HEAVY DUTY WELDED CONSTRUCTION

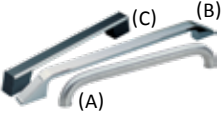



- ✓ EEN ZEER UITGEBREIDE RANGE COMPONENTEN DIE 'ONE-STOP SHOPPING' MOGELIJK MAAKT
- ✓ DECORATIEVE HENDELS, KNOPPEN EN GREPEN VERKRIJGBAAR IN EEN GROOT AANTAL MODELLEN EN AFMETINGEN
- ✓ NSF GECERTIFICEERDE VOLLEDIG UITSCHUIFBARE TELESCOOP LADENGELEIDERS MET 50 EN 100 KG DRAAGKRACHT
- ✓ SCHUIFLADES HEBBEN EEN 'HEAVY DUTY' GELASTE CONSTRUCTIE

- ✓ EINE SEHR GROSSE AUSWAHL VON KOMPONENTEN, DIE ES UNSEREN KUNDEN MÖGLICH MACHT ALLES AUS EINER HAND ZU BEKOMMEN (ONE-STOP SHOPPING)
- ✓ DEKORATIVE GRIFFE, KNÖPFE UND SCHLÖSSER IN EINER GROSSEN AUSWAHL VON MODELLEN UND GRÖSSEN
- ✓ NSF ZERTIFIZIERTE SCHUBLADENFÜHRUNGEN MIT 50 UND 100 KG TRAGLAST

EU258

Items shown are for European market only, contact your CHG representative for further details

# CABINET HARDWARE

<p><b>P47, P48 &amp; P49 SERIES</b></p> 	<p>TUBULAR HANDLES STAINLESS STEEL, HANDLES CHROME PLATED</p> <p>ROHRGRIFFE EDELSTAHL, GRIFFE VERCHROMT</p> <p>POIGNÉES TUBULAIRES, POIGNÉES CHROMÉES</p> <p>BUISSHANDGREPEN RVS, HANDGREPEN VERCHROOMD</p>	<p>ITEM</p> <p>P47-0300 (A)</p> <p>P47-0450 (A)</p> <p>P48-1010 (B)</p> <p>P48-1012-M (B)</p> <p>P49-1500 (C)</p> <p>P49-1500-6 (C)</p>	<p>∅</p>	<p>↔</p>	<p>↕</p>	<p>↗</p>	<p>↖</p>	<p>↻</p>
<p><b>P49 SERIES</b></p> 	<p>HANDLE SUPPORT &amp; BRACKET</p> <p>HANDGRIFFSTÜTZEN &amp; BEFESTIGUNGEN</p> <p>SUPPORTS POUR TUBE</p> <p>HANDGREEPSTEUNEN EN BEVESTIGINGEN</p>	<p>ITEM</p> <p>P49-1010</p> <p>P49-2100</p> <p>P49-2200</p>	<p>∅</p>	<p>↔</p>	<p>↕</p>	<p>↗</p>	<p>↖</p>	<p>↻</p>
<p><b>P40 &amp; P50-53 SERIES</b></p> 	<p>HANDLES &amp; PULLS</p> <p>AUFBAUHANDGRIFFE</p> <p>POIGNÉES ET TIRANTS</p> <p>OPBOUWHANDVATEN</p>	<p>ITEM</p> <p>P40-1010</p> <p>P50-1010-M</p> <p>P50-1011</p> <p>P50-1011-M</p> <p>P51-1010</p> <p>P52-1010</p> <p>P53-1012</p>	<p>∅</p>	<p>↔</p>	<p>↕</p>	<p><b>FINISH</b></p> <p>CHROME PLATED</p> <p>CHROME PLATED</p> <p>BUFFED SATIN</p> <p>BUFFED SATIN</p> <p>CHROME PLATED</p> <p>BLACK NYLON</p> <p>BLACK NYLON</p>		
<p><b>P44 &amp; P45 SERIES</b></p> 	<p>PULLS, ALUMINUM, SATIN CHROME FINISH</p> <p>AUFBAUHANDGRIFFE ALU, VERCHROMT</p> <p>TIRANTS POUR MONTAGE ALU, CHROMÉS</p> <p>HANDVATEN ALUMINIUM, VERCHROOMD</p>	<p>ITEM</p> <p>P44-1010</p> <p>P45-3000</p> <p>P45-3500</p> <p>P45-4000</p>	<p>∅</p>	<p>↔</p>	<p>↕</p>	<p>↗</p>	<p>↖</p>	<p>↻</p>


Items shown are for European market only, contact your CHG representative for further details


EU259





+31 (0)76-596 8699

# CABINET HARDWARE

P46 SERIES		ITEM	∅	↔	↕	↙	↘	↻
	BAR PULL, STAINLESS STEEL	P46-1010		133	25			
	GRIFFE, EDELSTAHL	P46-1010-M		133	25			
	TIRANTS POUR MONTAGE, INOX	P46-1012		108	25			
	OPBOUWHANDVATEN, RVS	P46-1012-M		108	25			

P60, P62 & P63 SERIES		ITEM	∅	↔	↕	↙	↘	↻
	RECESSED PULLS, STAINLESS STEEL	P60-1010-M	122					
	MUSCHELGRIFFE, EDELSTAHL	P62-1010-M		120	62			
	POIGNÉES À ENCASTRER, INOX	P62-1014		120	62			
	INBOUWHANDVATEN, RVS	P63-1012-M		120	62			


P73 SERIES		ITEM	∅	↔	↕	↙	↘	↻
	SNAP-IN HANDLE, BLACK ABS	P73-0500		93	35			
	MUSCHELGRIFFE AUS KUNSTSTOFF SCHWARZ	P73-1000		138	37			
	POIGNÉES À ENCASTRER, ABS NOIR	P73-2000		189	44			
	INBOUWHANDVATEN, ABS ZWART							


P90 SERIES		ITEM	∅	↔	↕	↙	↘	↻
	PADDLE LATCH, STAINLESS STEEL	P90-1000		55	41			
	MUSCHEL VERSCHLÜSSE, EDELSTAHL	P90-2000		84	68			
	POIGNÉES À CLAQUET, INOX	P90-2000-C		84	68			
	GREEPSLUITINGEN, RVS	P90-5000		124	98			
		P90-5000-C		124	98			


EU260


Items shown are for European market only, contact your CHG representative for further details

# CABINET HARDWARE

M15 SERIES		ITEM	∅	↔	↕	OFFSET
	CABINET HINGE AND LATCH, CHROME PLATED	<b>M15-9210</b>		46	27	3 MM AND 10 MM
	SCHARNIERE UND VERSCHLÜSSE, VERCHROMT	<b>M15-9211</b>		59	59	3 MM AND 10 MM
	VERROUX ET POIGNÉES, CHROMÉS					
	GRENDELSCHARNIEREN EN SLUITINGEN, VERCHROOMD					

R74 SERIES		ITEM	∅	↔	↕	↔	↕	↔
	LIFT-OFF HINGE, STAINLESS STEEL	<b>R74-8000-RH</b>		44	50			
	SCHARNIERE, AUSHEBBAR, EDELSTAHL	<b>R74-8001-LH</b>		44	50			
	PAUMELLES DÉGONDABLE, INOX	<b>R74-8100-RH</b>		50	75			
	AFNEEMBARE SCHARNIEREN, RVS	<b>R74-8101-LH</b>		50	75			
		<b>R74-9000-RH</b>		32	50			
		<b>R74-9001-LH</b>		32	50			

M48 SERIES		ITEM	∅	↔	↕	↔	↕	↔
	CONTINUOUSHINGEWITHSTAINLESSSTEELPIN,STAINLESSSTEEL	<b>M48-0112</b>	2,2	19	1830	0,9 GAUGE		
	KLAVIERBAND, EDELSTAHL	<b>M48-0122</b>	2,0	27	1830	1,0 GAUGE		
	CHARNIÈRES PIANO A SOUDER, INOX	<b>M48-0132</b>	2,3	38	1830	0,9 GAUGE		
	PIANOSCHARNIER MET ROESTVRIJSTALEN PIN, RVS	<b>M48-0134</b>	3,2	38	1830	1,6 GAUGE		
		<b>M48-0143</b>	3,0	51	1830	1,3 GAUGE		
		<b>M48-0144</b>	3,0	51	1830	1,5 GAUGE		
		<b>M48-0154</b>	4,8	64	1830	1,6 GAUGE		

M12, M75, M76 SERIES		ITEM	∅	↔	↕	↔	↕	↔
	CABINET HINGE AND LATCH, STAINLESS STEEL	<b>M12-9293</b>	1		35			
	SCHARNIERE UND VERSCHLUSSE, EDELSTAHL	<b>M12-9294</b>	1.2		50			
	VERROUX ET POIGNÉES, INOX	<b>M12-9295</b>	1.5		70			
	GRENDELSCHARNIEREN EN SLUITINGEN, RVS							
	CORNER SHAPED HINGES, STAINLESS STEEL	<b>M75-1002</b>		28	52			
	ABNEHMBARES FLAGGESCHARNIER, EDELSTAHL	<b>M75-5003</b>		35	76			


Items shown are for European market only, contact your CHG representative for further details

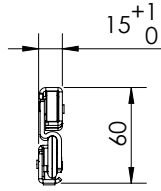
EU261




+31 (0)76-596 8699


# CABINET HARDWARE

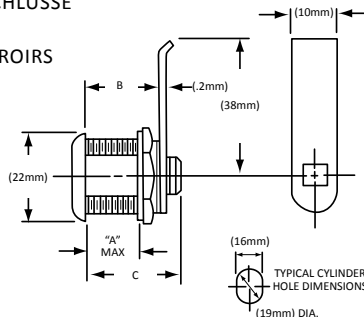
<b>F81 SERIES</b> 	FULL EXTENSION DRAWER SLIDE, S/S LADEGELEIDER VOLLEDIG UITTREKBAAR STAINLESS STEEL VOLLAUSZUG EDELSTAHL COULISSES TÉLESCOPIQUES INOX	ITEM	↔	MAX	↕	LOAD CAPACITY
		<b>F81-0016</b>	400	845	60	50 KG
		<b>F81-0020</b>	500	1045	60	50 KG
		<b>F81-0022</b>	550	1145	60	50 KG



<b>S26 &amp; 52 Series</b> 	DRAWER SLIDE FULL EXTENSION, STAINLESS STEEL SCHUBLADENFÜHRUNGEN VOLLAUSZUG, EDELSTAHL GLISSIÈRES TÉLESCOPIQUES, INOX TELESCOPISCHE LADENGELEIDERS, RVS  AVAILABLE WITH DELRIN BEARINGS AND SS BEARINGS	ITEM	∅	↔	↕	LOAD CAPACITY
		<b>S26-0016</b>		400	21.4	50 KG
		<b>S26-0018</b>		450	21.4	50 KG
		<b>S26-0020</b>		500	21.4	50 KG
		<b>S26-0022</b>		550	21.4	50 KG
		<b>S26-0024</b>		600	21.4	50 KG
		<b>S26-0026</b>		650	21.4	50 KG
		<b>S52-0020</b>		500	62	100 KG
		<b>S52-0022</b>		550	62	100 KG
		<b>S52-0024</b>		600	62	100 KG
<b>S52-0026</b>		650	62	100 KG		

<b>GASTRO SERIES</b> 	WIRE SHELVES, STAINLESS STEEL GITTERROST GASTRONORM, EDELSTAHL RAYONNAGE GASTRONORM, INOX DRAADROOSTER, RVS  ALSO AVAILABLE IN OTHER TYPES	ITEM	∅	↔	↕	↕	↕	↕	
		<b>GASTRO 2/1</b>		650	530				
		<b>GASTRO 1/1</b>		530	325				
		<b>GASTRO 2/3</b>		354	325				

<b>P30 SERIES</b> 	UTILITY LOCK DREHRIEGEL VERSCHLÜSSE SERRURES POUR TIROIRS TUJIMELSLOTEN	ITEM	∅	↔	↕	KEYING
		<b>P30-4750</b>	7	16	22	ALIKE
		<b>P30-4751</b>	7	16	22	DIFFERENT
		<b>P30-4752</b>	7	16	22	DIFFERENT & MASTER KEYED
		<b>P30-4760</b>	17	22	28	ALIKE
		<b>P30-4761</b>	17	22	28	DIFFERENT
		<b>P30-4762</b>	17	22	28	DIFFERENT & MASTER KEYED
		<b>P30-4770</b>	24	28	35	ALIKE
		<b>P30-4771</b>	24	28	35	DIFFERENT
		<b>P30-4772</b>	24	28	35	DIFFERENT & MASTER KEYED
		<b>P30-4780</b>	28	35	41	ALIKE
		<b>P30-4781</b>	28	35	41	DIFFERENT
<b>P30-4782</b>	28	35	41	DIFFERENT & MASTER KEYED		



EU262

Items shown are for European market only, contact your CHG representative for further details



# CABINET HARDWARE

## S90 SERIES



DRAWER ASSEMBLY, INCLUDING PAN, STAINLESS STEEL  
 SCHUBLADEN EINBAUELEMENT, MIT BEHÄLTER, EDELSTAHL  
 TIROIRS NEUTRES, AVEC RÉCIPIENTS, INOX  
 LADE INBOUWELEMENT, INCLUSIEF LEKBAK, RVS

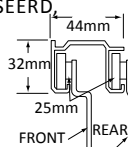
DIFFERENT SIZES ON REQUEST

ITEM	∅	↔	↕	⏚	⚙	🔩
<b>S90-0015-N</b>		497	171			
<b>S90-0015-C-N</b>		497	171			
<b>S90-0020-N</b>		636	171			
<b>S90-0020-C-N</b>		636	171			

## B57 & B58 SERIES



DOOR SHEAVES, ZINC PLATED, STAINLESS STEEL  
 SCHIEBETÜR ROLLEN, GALVANISIERT, EDELSTAHL  
 ROULETTE RÉGLABLE POUR PORTE GLISSANTE, GALVANISÉE, INOX  
 SCHUIFDEURWIELEN INSTELBAAR, GEGALVANISEERD, RVS



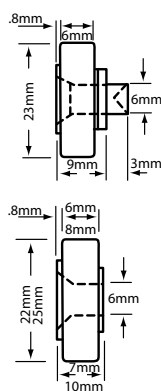
ITEM	∅	↔	↕	⏚	⚙	🔩
<b>B58-5511</b>	25	25.5	69		STEEL	FRONT
<b>B58-5513</b>	25	25.5	69		NYLON	FRONT
<b>B58-5515-SS</b>	22.5	30	65	8.5	NYLON	FRONT
<b>B58-5521</b>	25	25.5	69		STEEL	REAR
<b>B58-5523</b>	25	25.5	69		NYLON	REAR
<b>B58-5525-SS</b>	22.5	30	32.5	8.5	NYLON	REAR
<b>B57-2000</b>		2000	32			
<b>B57-3000</b>		3000	32			
<b>B57-6000</b>		6000	32			

## BEARINGS



BALL BEARINGS, STAINLESS STEEL, STEEL, NYLON  
 FLACHES KUGELLAGERS, EDELSTAHL, STAHL, NYLON  
 ROULEMENT A BILLES, INOX, ACIER  
 VLAKKE KOGELLAGERS, RVS, STAAL, NYLON

AVAILABLE WITH DIFFERENT SIZE SCREWS



ITEM	∅	↔	↕	⏚	⚙	🔩
<b>B10-1210</b>	23	6.3				
<b>B20-1013</b>	22	5.5				
<b>B20-1019</b>	25.4	7.9				

## BEARINGS



BALL BEARINGS, STAINLESS STEEL, STEEL, NYLON  
 FLACHES KUGELLAGERS, EDELSTAHL, STAHL, NYLON  
 ROULEMENT A BILLES, INOX, ACIER  
 VLAKKE KOGELLAGERS, RVS, STAAL, NYLON

ITEM	∅	↔	↕	⏚	⚙	🔩
<b>B20-1028</b>	33.3	7.9				
<b>B20-1032</b>	25.4	5.5				
<b>B20-1219</b>	33.3	7.9				
<b>B20-1230</b>	23	6.3				
<b>B20-1819</b>	25.4	5.5				
<b>B23-1013</b>	33,3	7,9				
<b>B24-1013</b>	30	7,9				

Items shown are for European market only, contact your CHG representative for further details

EU263




+31 (0)76-596 8699





- ✓ EQUIPMENT LEGS AVAILABLE IN VARIOUS SIZES WITH MOUNTING PLATE OR PROTRUDING STUD
- ✓ WIDE RANGE OF LATCHES AND HINGES FOR REFRIGERATION APPLICATIONS
- ✓ CE CERTIFIED SELF REGULATING CONDENSATE EVAPORATORS
- ✓ CONCEALED SELF CLOSING CARTRIDGE, HINGES ENSURE SILENT & SMOOTH OPERATION


- ✓ RVS STELPOTEN VERKRIJGBAAR IN VERSCHILLENDE AFMETINGEN MET SCHROEFDRAAD OF MONTAGEPLAAT
- ✓ EEN UITGEBREID ASSORTIMENT SCHARNIEREN EN SLUITINGEN VOOR KOELKASTEN EN INLOOP-KOELINGEN
- ✓ CE GECERTIFICEERDE ZELFREGULERENDE VERDAMPINGSBAKJES
- ✓ ZELFSLUITENDE PIVOTSCHARNIEREN VERZEKEREN EEN GERUISLOZE EN SOEPELE WERKING

- ✓ ANSCHRAUBFÜSSE IN VERSCHIEDENEN GRÖSSEN ERHÄLTICH. MIT ANSCHRAUBPLATTE ODER METRISCHEM GEWINDE
- ✓ GROSSE AUSWAHL AN SCHARNIEREN UND VERSCHLÜSSEN FÜR DIE KÄLTE- UND KÜHLTECHNIK
- ✓ CE GEPRÜFTE SELBST REGULIERENDE KONDENSWASSERVERDUNSTER
- ✓ SELBSTSCHLIESSENDE SCHARNIERE GARANTIEREN RUHIGEN UND SANFTEN BETRIEB

A59 SERIES		ITEM	∅	↔	↕	↕	↕	↕
	EQUIPMENT LEG, STAINLESS STEEL, M10	A59-1000*	59	120/150	30			700
	ANSCHRAUBFUSS, EDELSTAHL, M10	A59-1100*	59	120/180	60			700
	PIED RÉGLABLE, INOX, M10	A59-1150	59	120/150	60			700
	STELPOOT, RVS, M10	A59-1250	59	120/180	30			700
	*MOUNTING PLATE	A59-0090	59	100/160	60			700
		A59-1150-SS	59	120/180	60			700
		A59-1650	59	160/255	95			700

A65 SERIES		ITEM	∅	↔	↕	↕	↕	↕
	EQUIPMENT LEG, STAINLESS STEEL, M10	A65-2000	65	120/150	30			700
	ANSCHRAUBFUSS, EDELSTAHL, M10	A65-2100	65	120/180	60			700
	PIED RÉGLABLE, INOX, M10	A65-2200	65	120/150	30			700
	STELPOOT, RVS, M10	A65-2300	65	120/180	60			700
	*MOUNTING PLATE	A65-2000-IT*	65	120/150	30			700
		A65-2400*	65	155/205	50			700
		A65-2600-IT*	65	140/240	100			700
		A65-2700*	65	155/205	50			700

A48, 50, 84 & 86 SERIES		ITEM	∅	↔	↕	↕	↕	↕
	EQUIPMENT LEG, STAINLESS STEEL, M12	A48-5032-M	41		100	44		900
	ANSCHRAUBFUSS, EDELSTAHL, M12	A48-5048-M	41		150	44		900
	PIED RÉGLABLE, INOX, M12	A50-5032-M	41		100	44		900
	STELPOOT, RVS, M12	A50-5048-M	41		150	44		900
	*ALL A48, 50, 84 AND 86 MODELS CAN BE PLATED MOUNTED BY FITTING THE MP1/SS ON TOP.	A84-5032-M	50		100	44		900
		A84-5048-M	50		150	44		900
		A86-5032-M	50	STUD	100	44		900
		A86-5048-M	50	STUD	150	44		900
		MP1/SS*			102 x 80			


Q77 SERIES		ITEM	
	THERMAL MASTIC COATING	Q77-1000	305 ML
	WÄRMELEITPASTE	Q77-1240	3,68 L
	PATE CONDUCTRICE	Q77-1250	19 L
	WARMTEGELEIDENDE PASTA	Q77-1260	200 L


Items shown are for European market only, contact your CHG representative for further details


EU265





+31 (0)76-596 8699


Q75 & Q76 SERIES		ITEM	∅	↔	↕	↕	↕	↕	
	SOUND DEADENER/ SOUND DEADENING PAD	<b>Q75-1366</b>			3,68 L - LATEX				
	SCHALLDÄMPFER/ SCHALLSCHUTZ POLSTER	<b>Q76-1250</b>	90	250					
	PRODUITS D'INONORISATION/ PLAQUES D'INONORISATION								
	GELUIDSDEMPENDE LATEX & PASTA/ GELUIDSDEMPENDE PADS PASTA								

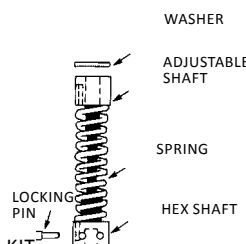
R24 SERIES		ITEM	∅	↔	↕	↕	↕	↕
	MAGNETIC/MECHANICAL EDGEMOUNT LATCH, CHROME PLATED	<b>R24-9175</b>		273	38			
	MAGNETISCHER VERSCHLUSS, VERCHROMT	<b>R24-9175-C</b>		273	38	CYLINDER LK		
	LOQUETEAUX AVEC AIMANT, CHROMÉES	<b>R24-9175-X</b>		273	38	OFFSET HDL		
	MAGNEETSLUITINGEN, VERCHROOMD	<b>R24-9175-XC</b>		273	38	CYL LK, OFFSET HDL		

R25 SERIES		ITEM	∅	↔	↕	↕	↕	↕
	MAGNETIC EDGEMOUNT LATCH, CHROME PLATED	<b>R25-1700-C</b>		292	49	CYLINDER LK		
	MAGNETISCHER VERSCHLUSS, VERCHROMT	<b>R25-1700-NC</b>		292	49	CYLINDER LK		
	LOQUETEAUX AVEC AIMANT, CHROMÉES	<b>R25-1700-XC</b>		292	49	CYL LK, OFFSET HDL		
	MAGNEETSLUITINGEN, VERCHROOMD	<b>R25-1700-XNC</b>		292	49	CYL LK, OFFSET HDL		

R30 SERIES		ITEM	∅	↔	↕	↕	↕	↕
	LATCH, SURFACE MOUNT, CHROME PLATED	<b>R30-9140-5/8</b>		178	53			
	VERSCHLÜSSE, VERCHROMT	<b>R30-9140-FL</b>		172	53			
	LOQUETEAUX, CHROMÉES							
	SLUITINGEN, VERCHROOMD							

R35 SERIES		ITEM	∅	↔	↕	↗	↘	⚙
	EDGEMOUNT LATCH, CHROME PLATED	<b>R35-1105</b>		260	38			
	ZUGVERSCHLÜSSE, RECHTS, VERCHROMT	<b>R35-1105-C</b>		260	38			CYLINDER LOCK
	FERMETURES POIGNÉES DROITE, CHROMÉES	<b>R35-1105-X</b>		260	38			OFFSET HANDLE
	WERPSLUITINGEN, RECHTE HENDEL, VERCHROOMD	<b>R35-1105-XC</b>		260	38			CYL LK, OFFSET HDL
		<b>R35-3105-X</b>		260	38			HIGH TEMPERATURE

R42 SERIES		ITEM	∅	↔	↕	OFFSET	
	EDGEMOUNT HINGE	<b>R42-2000</b>		31	140	35 MM	
	KANTENSCHARNIERE FÜR KÜHLMÖBELTÜREN	<b>R42-2840</b>		21	127	22 MM	
	CHARNIÈRES À RAMPE	<b>R42-2842*</b>		24	127	28 MM	
	HOEKSCHARNIEREN	<b>R42-2843</b>		24	127	28 MM	
		<b>R42-2844*</b>		24	127	41 MM	
		<b>R42-2855</b>		31	140	28 MM	
		<b>R42-2800</b>	POWER SPRING KIT				
		<b>R42-2810</b>	POWER SPRING KIT				



WASHER


ADJUSTABLE SHAFT


SPRING

HEX SHAFT

LOCKING PIN

\*AVAILABLE WITH POWER SPRING KIT

R45 & 50 SERIES		ITEM	∅	↔	↕	OFFSET
	LIFT OFF EDGEMOUNT HINGES	<b>R45-1010</b>		28	110	30 MM
	KANTENSCHARNIERE FÜR KÜHLMÖBELTÜREN	<b>R50-2850</b>		30	146	41 MM
	CHARNIÈRES À RAMPE	<b>R50-2850 SPO</b>		30	146	35 MM
	AFNEEMBARE HOEKSCHARNIEREN	<b>R50-2850-BLK</b>		30	146	41 MM
		<b>R50-2850-SS</b>		30	146	41 MM


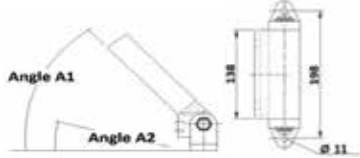
R56 SERIES		ITEM	
	CARTRIDGE HINGE	<b>R56-1010</b>	75 X 98
	SELBSTSCHLIESSENDE SCHARNIERE		PIVOT BRACKETS
	CHARNIÈRES PIVOT	<b>R56-5010</b>	79 X 25 - RH CARTRIDGE VERTICAL
	PIVOT SCHARNIEREN	<b>R56-5011</b>	79 X 25 - RH CARTRIDGE HORIZONTAL
		<b>R56-5017</b>	79 X 25 - RH PIVOT HORIZONTAL
		<b>R56-7011</b>	79 X 25 - RH PIVOT VERTICAL
		<b>R56-7040</b>	79 X 25 - RH DOUBLE PIVOT HORIZONTAL
	ALL ITEMS AVAILABLE IN LEFT HAND VERSION	<b>R56-MINI</b>	38 X 76


Items shown are for European market only, contact your CHG representative for further details


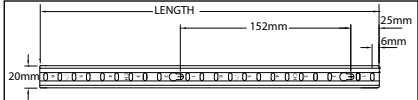
EU267

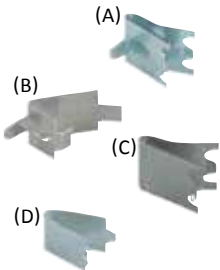


+31 (0)76-596 8699


<b>R60 SERIES</b>  	HEAVY DUTY LID HINGE FOR LARGE COOKING KETTLE  DECKEL-DREHGELENKE, FÜR GROSSE KOCHKESSELS  CHARNIÈRE SANS BRAS SUPPORT, POUR LES GRANDES BOUILLOIRES  ZWAAR DEKSEL SCHARNIER, VOOR GROTE KETELS	<b>ITEM</b>  <b>R60-1080030-C90</b>	Aperture angle A1 = 90°  Available on request: 65, 70, 80 or 85°  Angle of decent A2 = about 10°  Data only applicable for horizontal supporting surfaces
			


<b>T12 SERIES</b>   CE	CONDENSATE EVAPORATOR  TAUWASSERVERDUNSTER  BACS ÉVAPORATEURS  VERDAMPINGSBAKJES	<b>ITEM</b>	↔	↕	
		T12-0372      120 X 317      70      160 WATT T12-0372-CE      120 x 317      70      160 WATT T12-5200      120 x 317      70      300 WATT T12-5200-CE      120 x 317      70      300 WATT T12-0372-P      120 x 317      70      160 WATT T12-5200-P      120 x 317      70      300 WATT			
		T12-3390*	150	82	BRACKET


<b>T21 &amp; T22 SERIES</b>  	PILASTERS, ALUMINIUM LOCHSCHIENE ALUMINIUM CRÉMAILLÈRES ALUMINIUM STELLIJSTEN ALUMINIUM  PILASTERS, STAINLESS STEEL LOCHSCHIENE EDELSTAHL CRÉMAILLÈRES INOX STELLIJSTEN RVS	<b>ITEM</b>	Ø	↔	↕	↯	↰	↱
		T22-0016      406 T22-0018      457 T22-0024      610 T22-0048      1219 T22-0072      1828  T22-1024      610 T22-1048      1219 T22-1060      1524 T22-1072      1828						

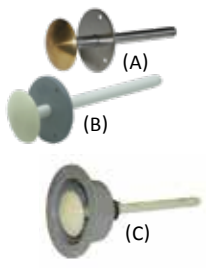
<b>T30 SERIES</b>  	SNAP-IN SHELF SUPPORT  KLAMMER  TAQUETS  CLIPS VOOR STELLIJSTEN	<b>ITEM</b>	Ø	↔	↕	↯	↰	↱
	*STAINLESS STEEL	T30-5030* (C)      22 T30-5031 (D)      16 T30-5032 * (D)      16 T30-5055* (B)      19 T30-5130 * (A)      22 T30-5131 (A)      22						



<b>W19 SERIES</b>		ITEM	∅	↔	↕	OFFSET
 <p>WALK-IN LATCH SICHERHEITSVERSCHLÜSSE LOQUETEAUX DE SÉCURITÉ SCHARNIEREN VOOR INLOOPKOELING</p> <p>- C MEANS WITH CYLINDER LOCK - CHOOSE APPROPRIATE SAFETY RELEASE, W28 SERIES</p>		<b>W19-1000</b>		266	51	0 MM - 19 MM
		<b>W19-1000-C</b>		266	51	0 MM - 19 MM
		<b>W19-1500</b>		266	51	19 MM - 41 MM
		<b>W19-1500-C</b>		266	51	19 MM - 41 MM
		<b>W19-2000</b>		266	51	41 MM - 64 MM
		<b>W19-2000-C</b>		266	51	41 MM - 64 MM

<b>W38 SERIES</b>		ITEM	∅	↔	↕	OFFSET
 <p>HEAVY DUTY WALK-IN LATCH, CHROME PLATED VERSCHLÜSSE, VERCHROMT LOQUETEAUX, CHROMÉES SLUITINGEN, VERCHROOMD</p> <p>- C MEANS WITH CYLINDER LOCK - CHOOSE APPROPRIATE SAFETY RELEASE, W28 SERIES</p>		<b>W38-1000</b>		283	51	0 MM - 19 MM
		<b>W38-1000-C</b>		283	51	0 MM - 19 MM
		<b>W38-1500</b>		283	51	19 MM - 41 MM
		<b>W38-1500-C</b>		283	51	19 MM - 41 MM
		<b>W38-2000</b>		283	51	41 MM - 64 MM
		<b>W38-2000-C</b>		283	51	41 MM - 64 MM

<b>W99 SERIES</b>		ITEM	∅	↔	↕	⏏	⏏	⏏
 <p>WALK-IN LATCH, STAINLESS STEEL 316 VERSCHLÜSSE, EDELSTAHL 316 LOQUETEAUX, INOX 316 SLUITINGEN, RVS 316</p> <p>- C MEANS WITH CYLINDER LOCK - CHOOSE APPROPRIATE SAFETY RELEASE, W28 SERIES</p>		<b>W99-3800-SS</b>		283	50			
		<b>W99-3800-SS-C</b>		283	50			
		<b>W99-3805-SS</b>		283	50			


<b>W28 SERIES</b>		ITEM	∅	↔	↕	⏏	⏏	⏏
 <p>SAFETY RELEASE / SS SICHERHEITSINNENÖFNER DÉCONDAMNATIONS NOODONTGREDELINGEN</p>		<b>W28-2325 (B)</b>		82.5				
		<b>W28-2400X (B)</b>		100				
		<b>W28-2400-SS (A)</b>		100				
		<b>W28-2600X (B)</b>		150				
		<b>W28-2600-SS (A)</b>		150				
		<b>W28-3400X (C)</b>		102				
		<b>W28-2800X (B)</b>		200				


Items shown are for European market only, contact your CHG representative for further details

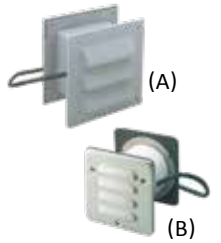
EU269




+31 (0)76-596 8699

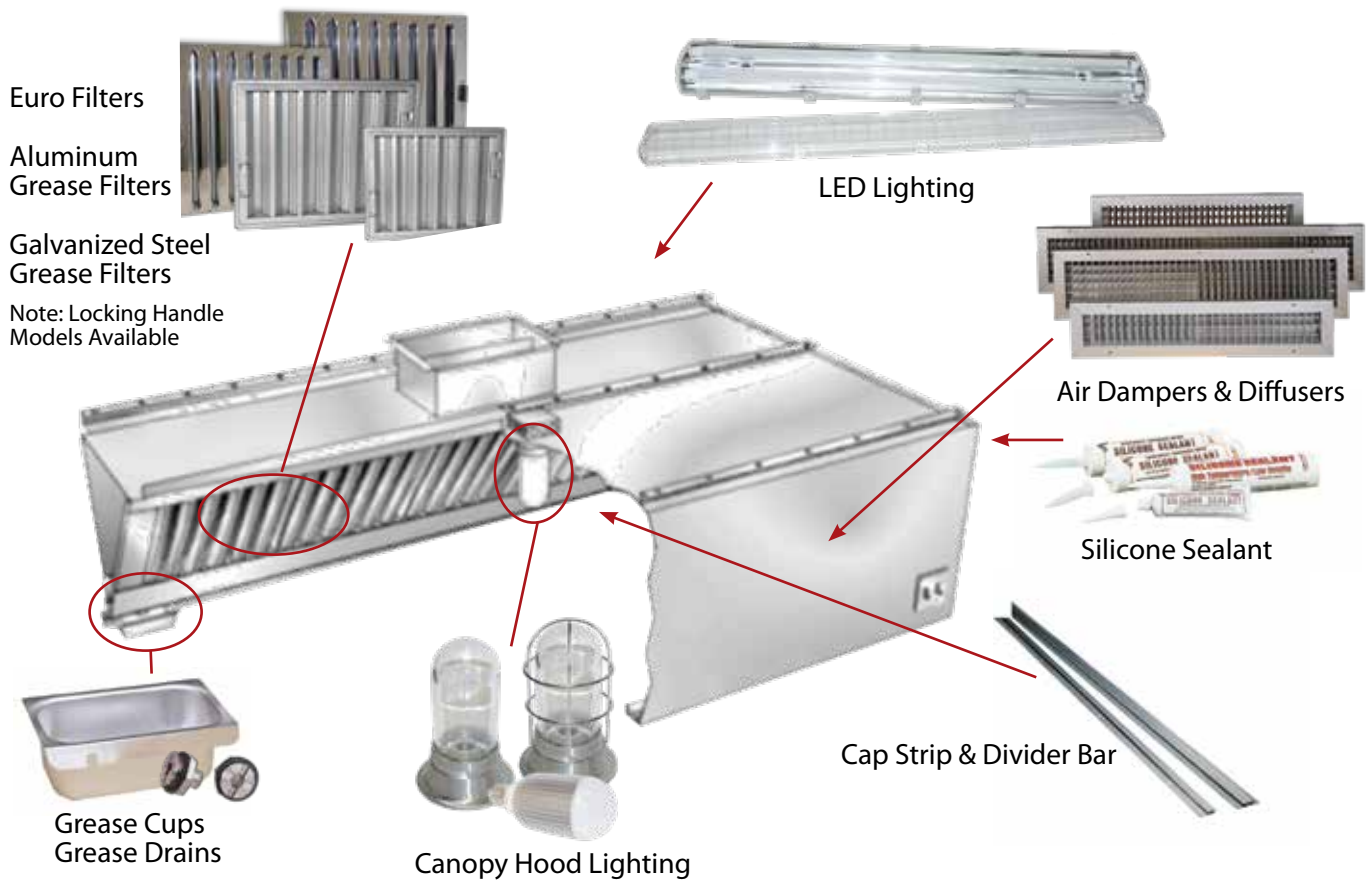
W99 SERIES		ITEM	∅	↔	↕	↕	↕	↕
	HINGE ASSEMBLY, STAINLESS STEEL 316	<b>W99-4100-SSLH</b>		263	108			
	TÜRBAND, EDELSTAHL 316	<b>W99-4100-SSRH</b>		263	108			
	CHARNIÈRES, INOX 316	<b>W99-6015-SS</b>		387	128			
	VLAGSCHARNIER, RVS 316							

W59 & W60 SERIES		ITEM	∅	↔	↕	↕	↕	↕
	WALK-IN DOOR HINGES, CHROME PLATED	<b>W60-1000</b>		254	143			
	SCHARNIERE, VERCHROMT	<b>W60-1000-S</b>		175	143			
	CHARNIÈRES, CHROMÉES	<b>W59-1000</b>		236	143			
	SCHARNIEREN, VERCHROOMD							

VENT PORTS		ITEM	∅	↔	↕	↕	↕	↕
	ROUND OR SQUARE VENT PORT	<b>W86-1010 (A)</b>	120V/8W	165	165	76-108		
	DRUCKAUSGLEICHS VENTIL RUND ODER VIERECKIG	<b>W86-1012 (A)</b>	220V/8W	165	165	76-108		
	SOUPAPES D'ÉQUILIBRAGE DE PRESSION, RONDE OU CARRÉ	<b>W86-2010 (A)</b>	NON HEAT	165	165	76-108		
	DRUKVEREFFENINGSVENTIEL ROND OF VIERKANT	<b>W88-1010 (B)</b>	120V/23W	127	127	102		
		<b>W88-1012 (B)</b>	220V/23W	127	127	102		
		<b>W88-1010-6000 (B)</b>	120V/23W	127	127	150		
		<b>W88-2010 (B)</b>	NON HEAT	127	127	102		

SAFE-T-VU WINDOW		ITEM	∅	↔	↕	↕	↕	↕	
	SAFE-T-VU WINDOW	<b>W90-1424-4AG</b>		413	667	102			
	SAFE-T-VU SICHERHEITSFENSTER	<b>W90-1424-4HA</b>		356	610	102			
	FENÊTRE SAFE-T-VU								
	SAFE-T-VU RAAM								
		HA = HEATED							
		G = NON HEATED							

# CANOPY HOOD



- ✓ EASY TO INSTALL ALL STAINLESS STEEL GREASE FILTERS IN A WIDE VARIETY OF DIMENSIONS
- ✓ EFFICIENTLY REMOVE A SIGNIFICANT AMOUNT OF GREASE BEFORE IT CAN ENTER THE VENTILATION SYSTEM
- ✓ EASY TO INSTALL CANOPY LIGHTING FIXTURES, GREASEPROOF, WATERPROOF AND HEATPROOF

- ✓ EENVOUDIG TE INSTALLEREN VETFILTERS VERKRIJGBAAR IN VELE AFMETINGEN
- ✓ VETFILTERS VANGEN EEN GROOT GEDEELTE VAN HET VET OP VOORDAT HET IN HET VENTILATIESYSTEEM KAN TERECHT KOMEN
- ✓ EENVOUDIG TE MONTEREN LICHTARMATUREN, RESISTENT TEGEN VET, WATER EN HITTE

- ✓ EINFACH ZU INSTALLIERENDE FLAMMSCHUTZFILTER IN ALLEN GÄNGIGEN GRÖSSEN
- ✓ EFFIZIENTE FETTFILTERUNG BEVOR DAS DAS BELÜFTUNGSSYSTEM ERREICHT WIRD
- ✓ EINFACH ZU INSTALLIERENDE, HITZE,-WASSER UND FETTBESTÄNDIGE HAUBENBELEUCHTUNG

Items shown are for European market only, contact your CHG representative for further details

EU271



+31 (0)76-596 8699

# CANOPY HOOD

## FLAMEGARD TYPE IV



FLAME GARD BAFFLE FILTER, STAINLESS STEEL, 20MM  
 FLAME GARD FETTFANGFILTER, EDELSTAHL, 20MM  
 FLAME GARD FILTRES POUR HOTTES, INOX, 20MM  
 FLAME GARD VETFILTER, RVS, 20MM

ITEM	∅	↔	↕	↗	↘	↻
FG20-300500		300	500			
FG20-400400		400	400			
FG20-400500		400	500			
FG20-495495		495	495			
FG20-500300		500	300			
FG20-500400		500	400			
FG20-500500		500	500			
<b>DIN 18869-5:2007-08 A CLASS RATING</b>						
FGA20-500500		500	500		(BAUART A)	
FGA20-400400		400	400		(BAUART A)	

## FLAMEGARD TYPE VI



FLAME GARD BAFFLE FILTER, STAINLESS STEEL, 45MM  
 FETTFANGFILTER, EDELSTAHL, 45MM  
 FILTRES POUR HOTTES, INOX, 45MM  
 VETFILTERS, RVS, 45MM

ITEM	∅	↔	↕	↗	↘	↻
FR51-1016		254	406			
FR51-1020		254	508			
FR51-1216		305	406			
FR51-1220		305	508			
FR51-1616		406	406			
FR51-1620		406	508			
FR51-1625		406	635			
FR51-2016		508	406			
FR51-2020		508	508			
FR51-2025		508	635			

## L55 SERIES



CANOPY LIGHT FIXTURES WITH THERMAL AND CLEAR GLASS INCLUDING WIRE PROTECTION GUARD  
 DECKENBELEUCHTUNG LICHTARMIERUNG, UND THERMO ODER KLARES GLAS, MIT ODER OHNE WARMESCHUTZ  
 ARMATURE D'ECLAIRAGE AVE PROTECTION THERMIQUE  
 VERLICHTINGSARMATUUR MET THERMISCH EN HELDER GLAS, MET METALEN BESCHERMING

ITEM	∅	↕	
L55-1004	140	222	TUFF SKIN
L55-1024	140	222	TUFF SKIN WIRE GUARD
L55-2004	140	222	CLEAR
L55-2024	140	222	CLEAR WIRE GUARD
LED-40001N	70	157	WITH GLOBE


## L82 SERIES


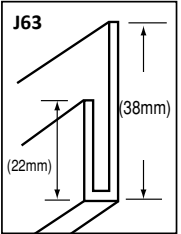
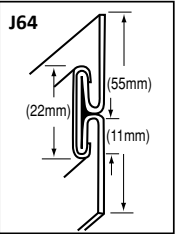


LED LIGHT, CE, IP 66 RATED, STAINLESS STEEL FACE  
 LED EINBAULEUCHTE, CE, IP 66, EDELSTAHL  
 LED ECLAIRAGE ENCASTRABLE POUR HOTTE, CE, IP 66, FACE INOX  
 LED INBOUW VERLICHTINGSARMATUUR, CE, IP 66, RVS AFWERKING  
 TEMPERATURE RATING OF 75°C




ITEM	∅	↔	↕	↗	↘	↻
L82-1020-CE		610	150			
L82-1030-CE		914	150			
L82-1040-CE		1219	150			
L82-1030-LED-CE-N		914	150		NATURAL	
L82-1030-LED-CE-W		914	150		WARM	
L82-1040-LED-CE-N		1219	150		NATURAL	
L82-1040-LED-CE-W		1219	150		WARM	

<b>LED-PL35 SERIES</b>  	LED CANOPY HOOD LIGHT 3,5 WATT 270 LUMEN	<b>ITEM</b>	
	LED AFZUIGKAPLAMP 3,5 WATT 270 LUMEN	<b>LED-PL35-N</b>	LED CEILING LIGHT, 240V - 4 W NATURAL WHITE 4000 - 4500K
	LED HAUBENLAMPE, 3,5 WATT 270 LUMEN	<b>LED-PL35-W</b>	LED CEILING LIGHT, 240V - 4 W WARM WHITE 2800 - 3200K
	LED LAMPE POUR HOTTE, 3,5 WATT 270 LUMEN	<b>LED-PL35-W-IP65</b>	LED CEILING LIGHT, 240V - 4 W WARM WHITE 2800 - 3200K, IP65
	3.5 WATT LIGHT PRODUCES 270 LUMENS, 2800 TO 3200 KELVINS, SATIN FINISH BEZEL MATCHES HOOD, 120 DEGREE ADJUSTABLE BEAM ANGLE		

<b>J63 &amp; 64 SERIES</b>  	CAP STRIP AND DIVIDER BAR, STAINLESS STEEL	<b>ITEM</b>	∅	↔	↕	↙	↘	↻
	ABDECKUNG, EDELSTAHL	<b>J63-1450-8.2</b>	2500			CAP STRIP		
	MOULURE, INOX	<b>J64-1451-8.2</b>	2500			DIVIDER BAR		
	AFDEKLIJST, RVS							
	 							

<b>90 VML SERIES</b>  	REGISTER, MULTI DAMPER, ALUMINUM	<b>ITEM</b>	∅	↔	↕	↙	↘	↻
	LUFTEIN-/AUSLASSGITTER VERSTELLBAR, ALUMINIUM	<b>90VML-20X4</b>	500	100				
	MULTI VALVE DAMPER, ALUMINIUM	<b>90VML-20X6</b>	500	150				
	MULTI VALVE DAMPER, ALUMINIUM	<b>90VML-24X12</b>	600	300				
		<b>90VML-24X4</b>	600	100				
		<b>90VML-24X6</b>	600	150				
		<b>90VML-24X8</b>	600	200				
		<b>90VML-30X6</b>	750	150				
		<b>90VML-36X6</b>	900	150				

<b>M90 SERIES</b>  	SILICONE SEALANT, FOODGRADE, HIGH TEMPERATURE RESISTANCE, 5 DIFFERENT COLORS	<b>ITEM</b>	
	HOCH TEMPERATURSILIKONE, 5 FARBEN	<b>M90-1010</b>	CLEAR 305 ML
	SILICONE HAUT TEMPERATURE, 5 COULEURS	<b>M90-1012</b>	ALUMINIUM 305 ML
	TEMPERATUURSBESTENDIG SILICONENKIT, FOODGRADE, 5 KLEUREN	<b>M90-1014</b>	WHITE 305 ML
		<b>M90-1016</b>	BLACK 305 ML
		<b>M90-1018</b>	HI TEMP RED 305 ML

# EUROPEAN INDEX

PRODUCT	PAGE	CATEGORY
Baffle filters	EU272	Canopy Hood
Bearings	EU263	Cabinet Hardware
Brackets, fold down	EU255	Cafeteria Component
Cabinet hinge	EU261	Refrigeration Components
Canopy light	EU272, 273	Canopy Hood
Cap strip and divider bars	EU257, 273	Cafeteria Component
Condensate evaporator	EU268	OEM
Continuous hinge	EU261	Cabinet Hardware
Cartridge hinges	EU267	OEM
Casters	EU255	Cafeteria Component
Corner bumpers and strips	EU256	Cafeteria Component
Cove Corners	EU257	Cafeteria Component
Cup dispensers	EU256	Cafeteria Component
Dipperwel assembly	EU252	Cafeteria Component
Door sheaves	EU263	Cabinet Hardware
Drains	EU252	Plumbing Components
Drawer slides	EU262	Cabinet Hardware
Equipment legs	EU246, 247, 265	Work Tables
EZ sink	EU251	Plumbing Components
Faucets	EU250, 251	Plumbing Components
Glass capping	EU255	Cafeteria Component
Glass clamp	EU255	Cafeteria Component
Handles	EU259, 260	Cabinet Hardware
Hinges	EU261, 267, 270	OEM
Hose reels	EU251	Plumbing Components
Insert feet	EU245, 246, 247	Work Tables
Latches	EU260, 261, 266, 267, 269	OEM
LED light	EU256, 272, 273	Canopy Hood
Lift off hinge	EU267	Cabinet Hardware
Mini basket drain	EU252	Plumbing Components
Overflow tubes	EU253	Plumbing Components
Paddle latch	EU260	Cabinet Hardware
Pilasters	EU268	OEM
Register, multi damper	EU273	Canopy Hood

PRODUCT	PAGE	CATEGORY
Safety release	EU269	OEM
Safe-T-VU window	EU270	OEM
Service sink	EU251	Plumbing Components
Scrap rings	EU257	Cafeteria Component
Silicone sealant	EU273	Canopy Hood
Sink bowls	EU253	Plumbing Components
Snap-in shelf support	EU268	OEM
Sound deadener	EU266	OEM
Thermal mastic coating	EU265	OEM
Utility locks	EU262	Cabinet Hardware
Vent port	EU270	OEM
Water station filler	EU252	Plumbing Components
Wire shelves	EU262	Cabinet Hardware

EU274

Items shown are for European market only, contact your CHG representative for further details



MODEL NO.	PAGE NO.	MODEL NO.	PAGE NO.	MODEL NO.	PAGE NO.	MODEL NO.	PAGE NO.	MODEL NO.	PAGE NO.
151016	A18	F15-0019	A27	M90-1016	A31				
151020	A18	F15-250T	A29	M90-1018	A31				
151216	A18	F15-375T	A29	M90-5012	A31				
151218	A18	F15-500EMT	A29	MCD 116	A18				
151220	A18	F15-500P	A29	MCD 116-1.5	A18				
151224	A18	F15-500T250P	A29	MCD 120	A18				
<b>151616</b>	<b>A18</b>	F15-625T375P	A29	MCD 123	A18				
<b>151620</b>	<b>A18</b>	F15-750P	A29	MCD 126	A18				
151625	A18	F15-1000P	A29	MCD 128	A18				
152010	A18	<b>F15-2500-C</b>	<b>A27</b>	<b>MCD 133</b>	<b>A18</b>				
<b>152016</b>	<b>A18</b>	<b>F15-4000-C</b>	<b>A27</b>	MCD 136	A18				
<b>152020</b>	<b>A18</b>	F40-1020	A25	MCD 139	A18				
152025	A18	F40-1620	A25	MCD 139	A18				
152516	A18	F40-1625	A25	Q37-0250	A27				
152520	A18	F40-2020	A25	Q84-3200	A30				
201616	A20	F40-2025	A25	Q84-4250	A30				
201620	A20	F41-0001	A25	Q86-0001	A30				
202016	A20	F41-1020	A25	Q86-0010	A30				
202020	A20	F41-1620	A25	Q86-0015	A30				
202025	A20	F41-1625	A25	Q86-1000	A30				
301616	A21	F41-2020	A25	Q86-1250	A30				
301620	A21	F41-2025	A25	Q86-1500	A30				
301625	A21	FA51-1016	A24	Q86-1625	A30				
302016	A21	FA51-1020	A24	Q86-2000	A30				
302020	A21	FA51-1216	A24	Q99-1000	A30				
302025	A21	FA51-1220	A24						
750002	A33	FA51-1616	A24						
750505-C	A35	FA51-1620	A24						
750511-C	A35	FA51-1625	A24						
750517-C	A35	FA51-2016	A24						
750606	A34	<b>FA51-2020</b>	<b>A24</b>						
750710	A34	FA51-2025	A24						
750715	A34	FA51-2520	A24						
750723	A34	FG51-1016	A23						
750707	A34	FG51-1020	A23						
750712	A34	FG51-1216	A23						
750720	A34	FG51-1220	A23						
750808-C	A35	FG51-1616	A23						
750811-C	A35	FG51-1620	A23						
750817-C	A35	FG51-1625	A23						
750823-C	A35	FG51-2016	A23						
751117-C	A35	<b>FG51-2020</b>	<b>A23</b>						
751123-C	A35	FG51-2025	A23						
751212	A34	FG51-2516	A23						
751220	A34	<b>FG51-2520</b>	<b>A23</b>						
751620	A34	<b>FG74-0506</b>	<b>A28</b>						
751717-C	A35	FG99-0005	A28						
751723-C	A35	FR51-1016	A23						
752020	A34	FR51-1020	A22						
760804-D14	A33	FR51-1216	A23						
90VML-20X4	A30	FR51-1220	A23						
90VML-24X4	A30	<b>FR51-1616</b>	<b>A23</b>						
90VML-24X6	A30	<b>FR51-1620</b>	<b>A23</b>						
90VML-24X8	A30	FR51-1625	A23						
90VML-24X10	A30	<b>FR51-2016</b>	<b>A23</b>						
90VML-24X12	A30	<b>FR51-2020</b>	<b>A23</b>						
90VML-30X6	A30	FR51-2025	A23						
90VML-36X6	A30	FR51-2516	A23						
<b>ACC-10X6</b>	<b>A33</b>	<b>FR51-2520</b>	<b>A23</b>						
<b>ACC-12X8</b>	<b>A33</b>	FR51-X015	A24						
<b>ACC-18X14</b>	<b>A33</b>	J63-1451	A26						
EFI-SQL	A32	J63-1451-8	A26						
EFI-SQS	A32	J63-1451-9	A26						
<b>EFI-UB</b>	<b>A32</b>	J63-1451-10	A26						
F10-1187	A27	J63-1651-78	A26						
F11-004	A29	J63-1651-120	A26						
<b>F11-0012</b>	<b>A28</b>	J63-2651-84	A26						
F11-0014	A28	J63-2651-120	A26						
<b>F11-0034</b>	<b>A28</b>	J64-1450	A26						
<b>F11-0038</b>	<b>A28</b>	J64-1450-8	A26						
F11-0038A	A28	J64-1450-9	A26						
<b>F11-0100</b>	<b>A28</b>	J64-1450-10	A26						
F11-0112	A28	J64-1651-78	A26						
F11-0012A	A28	J64-1651-120	A26						
<b>F11-0012B</b>	<b>A28</b>	J64-2651-84	A26						
F11-0114	A28	J64-2651-120	A26						
F12-0034	A29	M90-0310	A31						
F12-0078	A29	M90-0312	A31						
F12-0118	A29	M90-0314	A31						
F12-0138	A29	M90-1010	A31						
F12-0158	A29	M90-1012	A31						
		M90-1014	A31						

**Highlighted Models  
Are Our Top Sellers**

# Reach-In Refrigeration Index

B

MODEL NO.	PAGE NO.	MODEL NO.	PAGE NO.	MODEL NO.	PAGE NO.	MODEL NO.	PAGE NO.	MODEL NO.	PAGE NO.
10-516	B66	R42-2883	B48	T21-0042	B63	<b>T55-20-053</b>	<b>B67</b>		
1094	B65	R42-2890-C	B48	T21-0048	B63	T90-330	B62		
20-001	B66	R42-2890-K	B48	T21-0060	B63	T90-6142	B62		
5270	B65	R42-2891	B48	T21-0072	B63	T90-6812	B62		
5804	B66	R42-2892	B48	T21-0144	B63				
6601-B	B66	R42-2893	B48	T21-1024	B63				
6601	B66	R42-X003	B54	T21-1036	B63				
6449	B65	R42-X004	B54	T21-1042	B63				
GFK-6449-C	B67	R42-X008	B54	T21-1048	B63				
GFK-6449-S	B67	R42-X020	B54	T21-1060	B63				
Hinge Selector Guide	B40	R42-X021	B54	T21-1072	B63				
M15-9210	B47	R42-X038	B54	T21-1144	B63				
M15-9211	B47	R42-X103	B54	T22-0024	B63				
P30-0802	B42, B44, B45	<b>R45-1010</b>	<b>B52</b>	T22-0036	B63				
P40-1010	B41	R45-X003	B54	T22-0042	B63				
P48-1010	B41	R45-X004	B54	T22-0048	B63				
<b>P48-1012</b>	<b>B41</b>	<b>R50-2850</b>	<b>B52</b>	T22-0060	B63				
P48-X002	B41	R50-2850-NL	B52	T22-0072	B63				
<b>P49-1500</b>	<b>B41</b>	R50-2850-SPO	B52	T22-0144	B63				
P49-1500-6	B41	R50-2850-SS	B52	T22-1024	B63				
P99-100SL-01	B59	<b>R50-2851</b>	<b>B52</b>	T22-1036	B63				
Q24-0420	B64	R50-X003	B54	T22-1042	B63				
Q24-0520	B64	R50-X003-SS	B54	T22-1048	B63				
<b>Q77-1000</b>	<b>B64</b>	R50-X004	B54	T22-1060	B63				
Q77-1240	B64	R50-X004-A	B54	T22-1072	B63				
<b>Q77-1250</b>	<b>B64</b>	R50-X004-C	B54	T22-1144	B63				
Q77-1260	B64	R50-X004-SS	B54	T23-0024	B63				
Q99-1000	B64	R50-X004-SSA	B54	T23-0036	B63				
R20-1010	B51	R50-X005	B54	T23-0042	B63				
<b>R20-1020</b>	<b>B51</b>	R50-X005-SS	B54	T23-0048	B63				
R24-9175	B44	R51-2000	B53	T23-0060	B63				
R24-9175-C	B44	R51-2000-CS	B53	T23-0072	B63				
R24-9175-X	B44	R51-2000-RS	B53	T23-0144	B63				
R24-9175-XC	B44	<b>R56-1010</b>	<b>B55</b>	T23-1024	B63				
R24-Y001	B44	R56-5010	B55, B56	T23-1036	B63				
R25-1700-C	B45	R56-5011	B55, B56	T23-1042	B63				
R25-1700-NC	B45	R56-5016	B56	T23-1048	B63				
<b>R25-1700-XNC</b>	<b>B45</b>	R56-5017	B55, B56	T23-1060	B63				
R25-1700-XC	B45	R56-6010	B55, B56	T23-1072	B63				
R25-X002	B45	R56-6011	B56	T23-1144	B63				
R25-Y001	B45	R56-7010	B57	T30-5030	B63				
R26-1000	B43	R56-7011	B55, B57	<b>T30-5031</b>	<b>B63</b>				
R26-Y001	B43	R56-7014	B57	T30-5032	B63				
<b>R27-1010-X</b>	<b>B46</b>	R56-7015	B57	T30-5050	B63				
R30-9140-FL	B47	R56-7040	B55, B57	T30-5051	B63				
R30-9140-5/8	B47	R56-7041	B57	T30-5055	B63				
<b>R35-1105</b>	<b>B42</b>	R56-8010	B58	<b>T30-5130</b>	<b>B63</b>				
R35-1105-C	B42	R56-8011	B58	<b>T30-5130-TAB</b>	<b>B63</b>				
R35-1105-X	B42	R56-8040	B58	<b>T30-5131</b>	<b>B63</b>				
<b>R35-1105-XC</b>	<b>B42</b>	R56-8041	B58	T30-9901-UT	B63				
R35-3105-X	E12	R88-1000	B65	T32-5020	B63				
R35-Y001	B42	R90-1002	B64	T34-1010	B63				
R35-Y005	B42	R99-1200	B59	T42-3330	B67				
R40-1010	B51	T10-3351	B60	T50-4501	B69				
R40-X002	B53	<b>T12-0370</b>	<b>B60</b>	T50-4502	B69				
R40-X003	B53	T12-0370-P	B61	T50-4503	B69				
R42-2000	B50	T12-0372	B60	T50-4504	B69				
<b>R42-2800</b>	<b>B49</b>	T12-0372-CE	B60	T50-4505	B69				
R42-2801	B49	T12-0372-CE48	B60	T50-5501	B69				
R42-2810	B49	T12-0372-CE84	B60	T50-5502	B69				
R42-2840	B51	T12-0372-P	B60	T50-5503	B69				
R42-2841	B49	T12-3390	B60	T50-5504	B69				
<b>R42-2842</b>	<b>B49</b>	<b>T12-5000</b>	<b>B60</b>	T50-5505	B69				
R42-2842-BB	B49	T12-5000-CSA	B60	T54-0937	B67				
R42-2842-BR	B49	T12-5000-P	B61	T54-1500	B67				
<b>R42-2844</b>	<b>B50</b>	T12-5200	B60	T54-1750	B67				
<b>R42-2855</b>	<b>B50</b>	T12-5200-CE	B60	T54-2000	B67				
R42-2871	B48	T12-5200-CE48	B60	T54-2250	B67				
R42-2872	B48	T12-5200-CE84	B60	T54-2750	B67				
R42-2873	B48	T12-5200-CSA	B60	T54-3000	B67				
R42-2880	B48	T12-5200-P	B61	T55-0598	B67				
R42-2881	B48	T21-0024	B63	T55-20-010	B67				
R42-2882	B48	T21-0036	B63	T55-20-011	B67				

Highlighted Models  
Are Our Top Sellers

MODEL NO.	PAGE NO.	MODEL NO.	PAGE NO.	MODEL NO.	PAGE NO.	MODEL NO.	PAGE NO.	MODEL NO.	PAGE NO.
FIP-PANEL FASTENERS	C92	W38-1000-SN	C74	W59-1187	C84	W61-2037	C82		
HINGE SELECTOR	C71	W38-1000-C-SN	C74	W59-1200	C84	W61-2112	C82		
J60-2220	C98	<b>W38-1500</b>	<b>C74</b>	W59-2000	C84	W61-2125	C82		
J60-2240	C98	W38-1500-C	C74	W59-2012	C84	W61-2137	C82		
J60-2260	C98	W38-1500-SN	C74	W59-2025	C84	W61-2150	C82		
J60-2270	C98	W38-1500-C-SN	C74	W59-2037	C84	W61-2162	C82		
J60-2320	C98	W38-1600LSSGE	C79	W59-2112	C84	W61-2175	C82		
M90-1010	C98	W38-2000	C74	W59-2125	C84	W61-2187	C82		
M90-1012	C98	W38-2000-C	C74	W59-2137	C84	W61-2200	C82		
Q99-1000	C98	W38-4216LSSGE	C79	W59-2150	C84	W61-3000	C82		
RIGID RAIL- PANEL FASTENERS	C96	W38-6000-C-GE	C79	W59-2162	C84	W61-3012	C82		
<b>R55-1010</b>	<b>C85</b>	W50-1000	C73	W59-2175	C84	W61-3025	C82		
R55-1020	C85	W55-0001	C85	W59-2187	C84	W61-3037	C82		
SLAB FOAM- PANEL FASTENERS	C94	W55-1000	C85	W59-2200	C84	W61-3112	C82		
T90-330	C88	W56-1000	C85	W59-3000	C84	W61-3125	C82		
T90-6142	C89	W58-1000	C83	W59-3012	C84	W61-3137	C82		
T90-6812	C89	W58-1012	C83	W59-3025	C84	W61-3150	C82		
<b>W19-1000</b>	<b>C73</b>	W58-1025	C83	W59-3037	C84	W61-3162	C82		
W19-10S00-C	C73	W58-1037	C83	W59-3112	C84	W61-3175	C82		
W19-1000-SN	C73	W58-1112	C83	W59-3125	C84	W61-3187	C82		
W19-1000-C-SN	C73	W58-1125	C83	W59-3137	C84	W61-3200	C82		
<b>W19-1500</b>	<b>C73</b>	W58-1137	C83	W59-3150	C84	W61-4000	C82		
W19-1500-C	C73	W58-1150	C83	W59-3162	C84	W61-4012	C82		
<b>W19-2000</b>	<b>C73</b>	W58-1162	C83	W59-3175	C84	W61-4025	C82		
W19-2000-C	C73	W58-1175	C83	W59-3187	C84	W61-4037	C82		
W27-0001-C	C98	W58-1187	C83	W59-3200	C84	W61-4112	C82		
W27-0001-CTS	C98	W58-1200	C83	W59-4000	C84	W61-4125	C82		
W27-0002-C	C98	W58-2000	C83	W59-4012	C84	W61-4137	C82		
W27-1173H	C93	W58-2012	C83	W59-4025	C84	W61-4150	C82		
W27-5202	C95	W58-2025	C83	W59-4037	C84	W61-4162	C82		
W27-5204	C95	W58-2037	C83	W59-4112	C84	W61-4175	C82		
<b>W27-5304</b>	<b>C95</b>	W58-2112	C83	W59-4125	C84	W61-4187	C82		
W27-5306	C95	W58-2125	C83	W59-4137	C84	W61-4200	C82		
W27-5501	C97	W58-2137	C83	W59-4150	C84	<b>W62-0001</b>	<b>C81</b>		
W27-5502	C97	W58-2150	C83	W59-4162	C84	W62-2001	C81		
W27-5502	C97	W58-2162	C83	W59-4175	C84	W77-1375	C81		
W27-5550	C97	W58-2175	C83	W59-4187	C84	<b>W88-1010</b>	<b>C90</b>		
W27-5562	C97	W58-2187	C83	W59-4200	C84	W88-1012	C90		
W27-5568	C97	W58-2200	C83	<b>W60-1000</b>	<b>C80</b>	W88-2010	C90		
W27-5575	C97	W58-3000	C83	W60-1000-S	C80	<b>W91-1414-HGHF</b>	<b>C90</b>		
W27-5581	C97	W58-3012	C83	W60-1012	C80	W91-14143-UGUF	C90		
W27-5600A	C97	W58-3025	C83	W60-1012-S	C80	<b>W91-1424-HGHF</b>	<b>C90</b>		
<b>W27-5600B</b>	<b>C97</b>	W58-3037	C83	W60-1025	C80	W91-14243-UGUF	C90		
<b>W27-7300</b>	<b>C93</b>	W58-3112	C83	W60-1025-S	C80	<b>W94-1010</b>	<b>C86</b>		
<b>W27-7400</b>	<b>C93</b>	W58-3125	C83	W60-1037	C80	W94-1020	C86		
W27-8801-SP	C93	W58-3137	C83	W60-1037-S	C80	W94-2010	C86		
W27-8801-SS	C93	W58-3150	C83	W60-1112	C80	W94-2020	C86		
W27-8800TT-SP	C93	W58-3162	C83	W60-1125	C80	<b>W95-1010</b>	<b>C87</b>		
W27-8800TT-SS	C93	W58-3175	C83	W60-1137	C80	W95-1020	C87		
W27-8803	C93	W58-3187	C83	<b>W60-1150</b>	<b>C80</b>	W95-1030	C87		
W27-8804	C93	W58-3200	C83	<b>W60-1162</b>	<b>C80</b>	W95-2010	C87		
W28-1000	C76,C79	W58-4000	C83	W60-1175	C80	W95-2020	C87		
W28-1200	C76	W58-4012	C83	W60-1187	C80	W95-2030	C87		
W28-2300-SSX	C75, C79	W58-4025	C83	W60-1200	C80	W99-0100-H	C79		
W28-2325X	C75	W58-4037	C83	W60-2000	C80	W99-0100-L	C79		
W28-2400X	C75	W58-4112	C83	W60-2025	C80	W99-2001	C79		
W28-2400-SSX	C75	W58-4125	C83	W60-2112	C80	W99-2001-GE	C79		
W28-2600X	C75	W58-4137	C83	W60-2137	C80	W99-2063	C79		
W28-2605	C75	W58-4150	C83	W61-1000	C82	W99-2063-GE	C79		
W28-2800X	C75	W58-4162	C83	W61-1012	C82	<b>W99-3800-SS</b>	<b>C78</b>		
W28-3400X	C75	W58-4175	C83	W61-1025	C82	<b>W99-3800-SS-C</b>	<b>C78</b>		
W28-3800X	C75	W58-4187	C83	W61-1037	C82	<b>W99-3815-SS</b>	<b>C78</b>		
W29-1000X	C72	W58-4200	C83	W61-1112	C82	W99-3815-SS-C	C78		
W29-2000	C72	W59-1000	C84	W61-1125	C82	W99-3820-SS	C78		
W29-5000-4X	C76	W59-1012	C84	W61-1137	C82	<b>W99-4100-SSLH</b>	<b>C77</b>		
W30-1000-L	C72	W59-1025	C84	W61-1150	C82	W99-4100-SSRH	C77		
W30-2000-L	C72	W59-1037	C84	W61-1162	C82	<b>W99-6015-SS</b>	<b>C77</b>		
W31-1000X	C72	W59-1112	C84	W61-1175	C82				
W37-3000-SS	C79	W59-1125	C84	W61-1187	C82				
<b>W38-1000</b>	<b>C74</b>	W59-1137	C84	W61-1200	C82				
<b>W38-1000-C</b>	<b>C74,C79</b>	W59-1150	C84	W61-2000	C82				
W38-1000-C-GE	C79	W59-1162	C84	W61-2012	C82				
		W59-1175	C84	W61-2025	C82				

**Highlighted Models  
Are Our Top Sellers**

# Lighting & Electrical Index

MODEL NO.	PAGE NO.	MODEL NO.	PAGE NO.	MODEL NO.	PAGE NO.	MODEL NO.	PAGE NO.	MODEL NO.	PAGE NO.
CFL-36U54X2T5	D106	LED-FL60-ML-C	D100	R69-1630	D117				
<b>L10-X006</b>	<b>D107</b>	LED-L80-15DN	D109	R70-0720	D117				
<b>L10-X007</b>	<b>D107</b>	LED-L80-15DW	D109	R70-0723	D117				
L10-X008	D107	LED-L80-20DN	D109	R71-0721	D117				
L10-X020	D107, D115	LED-L80-20DW	D109	<b>R73-1210</b>	<b>D116</b>				
L10-X026	D107	<b>LED-L82-1030-40N</b>	<b>D110</b>	R73-1212	D116				
L10-Y005	D107	<b>LED-L82-1030-40W</b>	<b>D110</b>	R73-2201	D116				
L10-Y010	D107	<b>LED-L82-1040-50N</b>	<b>D110</b>	R73-2202	D116				
L10-Y016	D107	<b>LED-L82-1040-50W</b>	<b>D110</b>	R73-2203	D116				
L20-1010	D108	LED-L82-RF1030-40N	D110	VXS-100-GL	D107				
L20-1010-CL	D101, D108	LED-L82-RF1030-40W	D110	VXS-100-GL-WG	D107				
L20-1010-CSA	D108	LED-L82-RF1040-50N	D110	VXS-100-PC	D107				
L20-1010-L07C	D101	LED-L82-RF1040-50W	D110	VXS-100-PX	D107				
<b>L20-1010-N</b>	<b>D101, D108</b>	<b>LED-L87-1004-30N</b>	<b>D111</b>	VXS-100-PX-WG	D107				
L20-2778	D108	<b>LED-L87-1004-30W</b>	<b>D111</b>	VXS-CSA-GL	D107				
L20-2779	D108	LED-L87-1008-30N	D111	<b>VXS-CSA-GL-WG</b>	<b>D107</b>				
L50-X009	D115	LED-L87-1008-30W	D111	VXS-CSA-PC	D107				
<b>L50-X011</b>	<b>D115</b>	LED-L87-1030N	D111	VXS-CSA-PX	D107				
L50-Y001	D115	LED-L87-1030W	D111	VXS-CSA-PX-WG	D107				
<b>L55-1004</b>	<b>D114</b>	<b>LED-PK100DD-C</b>	<b>D101</b>	VXS-LED-PC20C	D100				
L55-1004-CSA	D114	LED-PK100DD-N	D101	VXS-LED-PC20W	D100				
L55-1004-HT	D114	<b>LED-PL35-W</b>	<b>D113</b>	VXS-LEDN10PC	D101				
L55-1024	D114	LED-RB08-DIM-x	D102						
L55-1024-CSA	D114	LED-RB12-DIM-x	D102						
L55-1024-HT	D114	LED-RB18-DIM-x	D102						
<b>L55-2004</b>	<b>D114</b>	LED-RB24-DIM-x	D102						
L55-2004-CSA	D114	LED-RB30-DIM-x	D102						
<b>L55-2004-HT</b>	<b>D114</b>	LED-RB36-DIM-x	D102						
L55-2024	D114	LED-RB48-DIM-x	D102						
L55-2024-CSA	D114	LED-RB-X110	D102						
L55-2024-HT	D114	LED-RB-X112	D102						
L55-LEDN-1004	D113	LED-RB-X115	D102						
L55-LEDN-1024	D113	LED-RB-X150	D102						
L55-LEDN-2004	D113	LED-RB-X155	D102						
L55-LEDN-2024	D113	LED-RB-X160	D102						
L55-LEDW-1004	D113	LED-RB-X170	D102						
L55-LEDW-1024	D113	LED-RB-X200	D102						
L55-LEDW-2004	D113	LED-RB-X206	D102						
L55-LEDW-2024	D113	LED-RB-X212	D102						
L55-X003	D115	LED-RB-X218	D102						
L55-X003-HT	D115	LED-RB-X224	D102						
L55-X006	D115	LED-RB-X236	D102						
L55-X022	D115	LED-RB-X270	D102						
L55-Y001	D115	LED-RB-X300	D102						
L55-Y001-CSA	D115	LED-RB-X500	D102						
L55-Y001-HT	D115	LED-RB-X501	D102						
L82-1020	D112	LED-RR12-x	D103						
L82-1020-L09C	D111	LED-RR18-x	D103						
L82-1020-L09N	D111	LED-RR20-x	D103						
L82-1020-L09W	D111	LED-RR30-x	D103						
<b>L82-1030</b>	<b>D112</b>	LED-RR35-x	D103						
<b>L82-1040</b>	<b>D112</b>	LED-RR40-x	D103						
L82-Y001	D115	LED-RR48-x	D103						
L82-Y002	D115	LED-RR-X100	D103						
L82-Y003	D115	LED-RR-X103	D103						
L87-1004	D112	LED-RR-X112	D103						
L87-Y001	D115	LED-RR-X119	D103						
LED48X6218C	D105	LED-RR-X139	D103						
LED48X62221C	D105	LED-RR-X201	D103						
LED48X62221N	D105	LED-RR-X202	D103						
LED48X62221W	D105	LED-RR-X203	D103						
<b>LED48X754-CL-N</b>	<b>D104</b>	LED-RR-X204	D103						
LED48X754-ML-N	D104	LED-RR-X302	D103						
LED-212009C	D105	LED-RR-X303	D103						
LED-212018-C	D105	LED-RR-X304	D103						
LED-212122C	D105	LED-RR-X305	D103						
LED-212122N	D105	LED-RR-400	D103						
LED-212122W	D105	LED-RR-401	D103						
LED-321420C	D100	LED-RR-402	D103						
LED-321420C-B	D100	<b>LED-TB40-T6-W</b>	<b>D100</b>						
LED-321420W	D100	LED-TB40-T6A-W	D100						
LED-321420W-B	D100	<b>R58-1010</b>	<b>D116</b>						
LED-40000N-B	D113	R58-1020	D116						
<b>LED-40000N-P</b>	<b>D113</b>	R61-8410	D117						
<b>LED-40000W-B</b>	<b>D113</b>	R62-8406	D117						
LED-40001N	D113	R65-3228	D117						
LED-E26E17ADPT	D100								
LED-FL60-CL-C	D100								

**Highlighted Models  
Are Our Top Sellers**

**D**

MODEL NO.	PAGE NO.	MODEL NO.	PAGE NO.	MODEL NO.	PAGE NO.	MODEL NO.	PAGE NO.	MODEL NO.	PAGE NO.
A10-0010-C	E121, E122, E123	A44-X301-C	E142	A92-8048-C	E132				
A10-0020	E119, E120, E141, E142, E143	A44-X309-C	E142	A93-8048-C	E132				
A10-0221-C	E121	A44-X327-C	E142	A95-8048-C	E132				
A10-0421-C	E121	A44-X341-C	E142	A99-9906-C	E133				
A10-0611-C	E121	A46-4048-C	E135	A99-9940-C	E137				
A10-0631-C	E121	A46-4080-C	E135	AE60-X010	E137				
A10-0641-C	E121	A46-4160-C	E135	AB48-5048-C	E131				
A10-0651-C	E121	A46-4272-C	E135	AB84-5048-C	E131				
A10-0654-C	E125	A46-4288-C	E135	<b>AE41-4002-C</b>	<b>E137</b>				
A10-0811-C	E121, E145	A46-6048-C	E135	AE60-1453	E137				
A10-0831-C	E121, E136	A46-6080-C	E135	<b>AE60-1653</b>	<b>E137</b>				
A10-0841-C	E121, E136	A46-6160-C	E135	AE61-2003-C	E128				
A10-0851-C	E121, E136	A46-6272-C	E135	AE61-2104-C	E128				
A10-0852-C	E121, E136	A46-6288-C	E135	<b>AE61-4002-C</b>	<b>E128</b>				
A10-0852-S	E122	A47-9932-C	E126	AE61-5002-C	E128				
A10-0853-C	E125, E136	<b>A48-5032-C</b>	<b>E130</b>	AE62-2104-C	E128				
A10-0854-C	E125, E136	<b>A48-5048-C</b>	<b>E130</b>	AE62-4002-C	E128				
<b>A10-0881-C</b>	<b>E123, E136</b>	<b>A50-5032-C</b>	<b>E130</b>	AE62-5002-C	E128				
A10-0884-C	E123, E136	A50-5048-C	E130	AE63-2003-C	E128				
<b>A10-1000</b>	<b>E122</b>	A50-9704-C	E130	AE63-2104-C	E128				
A10-1500	E122	A50-9939-C	E126	AE63-4002-C	E128				
A10-9904-C	E125	A52-9907-C	E129	AE63-5002-C	E128				
<b>A11-0851-C</b>	<b>E121</b>	A60-0431	E138	AP61-4003-C	E127				
A11-0854-C	E125	A60-0441	E138	AP62-4003-C	E127				
A14-0221-C	E124	A60-0623	E138	AP63-2003-C	E127				
A14-0224-C	E125	<b>A60-0631</b>	<b>E138</b>	AP63-4003-C	E127				
A14-0411-C	E124	<b>A60-0633</b>	<b>E138</b>	AP64-4003-C	E127				
A14-0421-C	E124	A60-0633-R	E137						
A14-0424-C	E125	A60-0641	E138						
<b>A14-0611-C</b>	<b>E124</b>	A60-1438	E139						
<b>A14-0651-C</b>	<b>E124</b>	A60-1651	E138						
A14-0653-C	E125	<b>A60-1653</b>	<b>E138</b>						
<b>A14-0654-C</b>	<b>E125</b>	A60-1653-SP1	E138						
<b>A15-0851-C</b>	<b>E124</b>	A60-1653-SP2	E138						
A15-0854-C	E125	A60-1653-SP3	E138						
A16-0206-C	E120	A60-1653-SP4	E138						
A18-0202-C	E120	A60-2105	E139						
A18-0203-C	E120	A60-2205	E139						
<b>A18-0206-C</b>	<b>E120</b>	A60-2210	E139						
A18-0306-C	E120	A60-2305	E139						
A18-0402-C	E120	A60-2405	E139						
<b>A18-0406-C</b>	<b>E120</b>	A60-2724	E143						
A18-9900-C	E120	A60-4444	E143						
A18-X001	E119, E120	A60-X001	E138						
A19-1000	E119	A60-X003	E138						
<b>A20-0206-C</b>	<b>E119</b>	A70-1000	E140						
A20-0406-C	E119	A70-1010	E140						
A24-0206-C	E119	A70-1010-M	E140						
A24-0207-C	E119	<b>A70-1020</b>	<b>E140</b>						
A26-0207-C	E119	A70-1020-GL	E140						
A28-0207-C	E119	A70-2000	E140						
A35-1010	E141	A70-2010	E140						
A35-1010-SS	E141	A70-2010-M	E140						
A35-1020	E141	<b>A70-2020</b>	<b>E140</b>						
A35-1020-SS	E141	A70-X011	E140						
A35-1025-SS	E141	A71-1020	E140						
A35-1030	E141	A72-0811	E129						
A35-2010	E141	A76-4460	E143						
A35-2020	E141	<b>A77-5048-C</b>	<b>E129</b>						
A35-2030	E141	A78-5048-C	E129						
A37-1010	E142	A79-5048-C	E129						
A37-1020	E142	<b>A84-5048-C</b>	<b>E130</b>						
A37-2010	E142	A85-9706-C	E130						
A37-2020	E142	A86-5048-C	E130						
		A88-9902-C	E126						
		A90-9902-C	E126						

**Highlighted Models  
Are Our Top Sellers**

# Institutional Casters Index

MODEL NO.	PAGE NO.	MODEL NO.	PAGE NO.	MODEL NO.	PAGE NO.	MODEL NO.	PAGE NO.	MODEL NO.	PAGE NO.
C11-1020	F156	C13-3441	F157	C23-2350	F159	C60-5010	F165	CMS1-35KBN	F152
C11-1030	F156	C13-3450	F157	C23-2350-SS	F161	C60-X100-B	F165	CMS1-35KPN	F152
C11-1031	F156	C13-3451	F157	C23-2351	F159	<b>C65-1010</b>	<b>F164</b>	CMS1-3BBN	F154
C11-1040	F156	C13-3540	F157	C23-2351-SS	F161	C65-2072	F164	CMS1-3BPN	F154
C11-1041	F156	C13-3541	F157	C23-2435	F159	<b>C65-2120</b>	<b>F164</b>	CMS1-3PBB	F155
C11-1050	F156	C13-3550	F157	C23-2436	F159	C65-5000	F164	CMS1-3PPB	F155
C11-1051	F156	C13-3551	F157	C23-2450	F159	<b>C65-5090</b>	<b>F164</b>	CMS1-35KBN	F152
C11-2030	F156	C13-5430	F157	C23-2450-SS	F161	C83-0506	F163	CMS1-35KPN	F152
C11-2031	F156	C13-5431	F157	C23-2451	F159	C83-0516	F163	CMS1-4BBN	F154
C11-2040	F156	C21-1035	F158	C23-2451-SS	F161	C86-0506	F163	CMS1-4BPN	F154
C11-2041	F156	C21-1035-R	F158	C23-2535	F159	C86-0516-C	F163	CMS1-4KBN	F154
C11-2050	F156	C21-1036	F158	C23-2536	F159	C99-1030	F153	CMS1-4PBB	F155
C11-2051	F156	C21-1050	F158	C23-2550	F159	C99-1031	F153	CMS1-4PPB	F155
C11-3041	F156	C21-1050-R	F158	C23-2550-SS	F161	C99-1050	F153	CMS1-4RBB	F155
C13-1140	F157	C21-1051	F158	C23-2551	F159	C99-1051	F153	CMS1-4RPB	F155
C13-1141	F157	C21-2035	F158	C23-2551-SS	F161	CLP2-3BBN	F151	CMS1-5BBN	F154
C13-1150	F157	C21-2035-R	F158	C23-3135	F159	CLP2-3BPN	F151	CMS1-5BPN	F154
C13-1151	F157	C21-2036	F158	C23-3136	F159	CMP1-35KBN	F152	CMS1-5KBN	F154
C13-1240	F157	C21-2050	F158	C23-3150	F159	CMP1-35KPN	F152	CMS1-5KPN	F154
C13-1241	F157	C21-2050-R	F158	C23-3150-SS	F161	<b>CMP1-3BBN</b>	<b>F150</b>	CMS1-5PBB	F155
C13-1250	F157	C21-2050-SS	F161	C23-3151	F159	CMP1-3BPN	F150	CMS1-5PPB	F155
C13-1251	F157	C21-2051	F158	C23-3151-SS	F161	CMP1-3KBN	F150	CMS1-5PPB-TB	F155
C13-1330	F157	C21-2051-SS	F161	C23-3235	F159	CMP1-3KPN	F150	CMS1-5RBB	F155
C13-1331	F157	C21-3035	F157	C23-3236	F159	<b>CMP1-3PBB</b>	<b>F150</b>	CMS1-5RPB	F155
C13-1340	F157	C21-3036	F157	C23-3250	F159	<b>CMP1-3PPB</b>	<b>F150</b>	CMS2-3BBN	F154
C13-1350	F157	C21-3040	F157	C23-3251	F159	<b>CMP1-4BBN</b>	<b>F150</b>	CMS2-3BPN	F154
C13-1351	F157	C21-3041	F157	C23-3335	F159	CMP1-4BPN	F150	CMS2-3PBB	F155
C13-1440	F157	C21-3050	F157	C23-3336	F159	CMP1-4KBN	F150	CMS2-3PPB	F155
C13-1450	F157	C21-3051	F157	C23-3350	F159	CMP1-4KPN	F150	CMS2-35KBN	F152
C13-1451	F157	C23-1135	F159	C23-3351	F159	CMP1-4PBB	F150	CMS2-35KPN	F152
C13-1540	F157	C23-1136	F159	C23-3435	F159	CMP1-4PPB	F150	CMS2-4BBN	F154
C13-1541	F157	C23-1150	F159	C23-3436	F159	CMP1-4RBB	F150	CMS2-4BPN	F154
C13-1550	F157	C23-1151	F159	C23-3450	F159	CMP1-4RPB	F150	CMS2-4KBN	F154
C13-1551	F157	C23-1150-R	F160	C23-3451	F159	<b>CMP1-5BBN</b>	<b>F150</b>	CMS2-4KPN	F154
C13-2140	F157	C23-1235	F159	C23-3535	F159	CMP1-5BPN	F150	CMS2-4PBB	F155
C13-2141	F157	C23-1236	F159	C23-3536	F159	CMP1-5KBN	F150	CMS2-4PPB	F155
C13-2150	F157	C23-1250	F159	C23-3550	F159	CMP1-5KPN	F150	CMS2-4RBB	F155
C13-2151	F157	C23-1251	F159	C23-3551	F159	<b>CMP1-5PBB</b>	<b>F150</b>	CMS2-4RPB	F155
C13-2240	F157	C23-1335	F159	C25-1000	F160	<b>CMP1-5PPB</b>	<b>F150</b>	CMS2-5BBN	F154
C13-2241	F157	C23-1336	F159	C25-1001	F162	<b>CMP1-5RBB</b>	<b>F150</b>	CMS2-5BPN	F154
C13-2250	F157	C23-1350	F159	C31-2050	F162	CMP1-5RBB-TB	F150	CMS2-5KBN	F154
C13-2251	F157	C23-1351	F159	C31-2051	F162	<b>CMP1-5RPB</b>	<b>F150</b>	CMS2-5KPN	F154
C13-2340	F157	C23-1350-R	F160	C31-2060	F162	CMP1-5RPB-B	F150	CMS2-5PBB	F155
C13-2341	F157	C23-1435	F159	C31-2061	F162	CMP4-5BBB	F152	CMS2-5PPB	F155
C13-2350	F157	C23-1436	F159	C31-2080	F162	CMP4-5BPB	F152	CMS2-5RBB	F155
C13-2351	F157	C23-1450	F159	C31-2081	F162	CMP4U-5PBB	F152	CMS2-5RBB-TB	F155
C13-2440	F157	C23-1451	F159	<b>C47-0306-C</b>	<b>F163</b>	CMP4U-5PPB	F152	CMS2-5RPB	F155
C13-2441	F157	C23-1450-R	F160	<b>C47-0316-C</b>	<b>F163</b>	CMPU-5BBN	F152	CMS2-5RPB	F155
C13-2450	F157	C23-1535	F159	C48-03185-C	F163	CMPU-5BPN	F152	CMS3-3BBN	F154
C13-2451	F157	C23-1536	F159	C47-0406-C	F163	CMPU-5KBN	F152	CMS3-3BPN	F154
C13-2540	F157	C23-1550	F159	C47-0416-C	F163	CMPU-5KPN	F152	CMS3-3PBB	F155
C13-2541	F157	C23-1551	F159	C47-0506	F163	CMPU-5PBB	F152	CMS3-3PPB	F155
C13-2550	F157	C23-2135	F159	C47-0516	F163	CMPU-5PPB	F152	CMS3-35KBN	F152
C13-2551	F157	C23-2136	F159	C50-0406-C	F163	CMPU-5RBB	F152	CMS3-35KPN	F152
C13-3140	F157	C23-2150	F159	C50-0416-C	F163	CMPU-5RPB	F152	CMS3-4BBN	F154
C13-3141	F157	C23-2150-SS	F161	C50-0506-C	F163	CMR1-3BPN	F151	CMS3-4BPN	F154
C13-3150	F157	C23-2151	F159	C50-0516-C	F163	CMR1-3KPN	F151	CMS3-4KPN	F154
C13-3151	F157	C23-2151-SS	F161	C60-1010	F165	CMR1-3PPB	F151	CMS3-4PBB	F155
C13-3240	F157	C23-2235	F159	C60-1010-SR	F165	CMR1-4BPN	F151	CMS3-4PPB	F155
C13-3241	F157	C23-2236	F159	C60-1012	F165	CMR1-4KPN	F151	CMS3-4RBB	F155
C13-3250	F157	C23-2250	F159	C60-1020	F165	CMR1-4PPB	F151	CMS3-4RPB	F155
C13-3251	F157	C23-2250-SS	F161	C60-1030	F165	CMR1-4RPB	F151	CMS3-5BBN	F154
C13-3340	F157	C23-2251	F159	C60-1040	F165	CMR1-5BPN	F151	CMS3-5BPN	F154
C13-3341	F157	C23-2251-SS	F161	C60-1040-B	F165	CMR1-5KPN	F151	CMS3-5PBB	F155
C13-3350	F157	C23-2335	F159	C60-1050	F165	CMR1-5PPB	F151	CMS3-5PPB	F155
C13-3440	F157	C23-2336	F159	<b>C60-1050-B</b>	<b>F165</b>	CMR1-5RPB	F151	CMS3-5RBB	F155

F



MODEL NO.	PAGE NO.	MODEL NO.	PAGE NO.	MODEL NO.	PAGE NO.	MODEL NO.	PAGE NO.	MODEL NO.	PAGE NO.
CMS3-5RBB-TB	F157	CMT1-4RPB	F155	CSTPK-5PUES-4B	F151				
CMS3-5RPB	F157	CMT1-5BBN	F155	CSTPK-5PUES-4B-6	F151				
CMS4-35KBN	F154	CMT1-5BPN	F155	CSTPK-5PUP	F151				
CMS4-35KPN	F154	CMT1-5KBN	F155	CSTPK-5PUP-4	F151				
CMS4-3BBN	F156	CMT1-5KPN	F155	CSTPK-5PURS	F151				
CMS4-3BPN	F156	CMT1-5PBB	F155	CSTPK-5PURS-B	F151				
CMS4-3KBN	F156	CMT1-5PPB	F155	CSTPK-5PUSP	F151				
CMS4-3KPN	F156	CMT1-5RBB	F155	CSTPK-5PUSP-B	F151				
CMS4-3PBB	F157	CMT1-5RPB	F155	CSTPK-5PUTS-1B	F151				
CMS4-3PPB	F157	CMT2-3BBN	F155	CSTPK-5PUTS-2B	F151				
CMS4-4BBN	F156	CMT2-3BPN	F155	CSTPK-5PUTS-3B	F151				
<b>CMS4-4BBNS</b>	<b>F156</b>	<b>CMT2-3PBB</b>	<b>F155</b>	CSTPK-5PUTS-4	F151				
CMS4-4BPN	F156	<b>CMT2-3PPB</b>	<b>F155</b>	CSTPK-5PUUP	F151				
CMS4-4BPNS	F156	CMT2-5BBN	F155	CSTPK-5PUUP-4B	F151				
CMS4-4KBN	F156	CMT2-5BPN	F155	CSTPK-5PUUP-B	F151				
CMS4-4KPN	F156	CMT2-5PBB	F155	CSTPK-5RES	F151				
CMS4-4PBB	F157	CMT2-5PPB	F155	CSTPK-5RES-3	F151				
CMS4-4PPB	F157	CMT2-5RBB	F155	CSTPK-5RSP	F151				
CMS4-4RBB	F157	CMT2-5RPB	F155	CSTPK-5RSP-T1	F151				
CMS4-4RPB	F157	CMT3-5BBN	F155	CSTPK-5RTS-1	F151				
<b>CMS4-5BBN</b>	<b>F156</b>	CMT3-5BPN	F155	CSTPK-5RUP	F151				
CMS4-5BBN-TB	F156	CMT4-3BBN	F155	CSTPK-6PBB	F151				
CMS4-5BPN	F156	CMT4-5PBB	F155	CTB-1500	F149				
CMS4-5KBN	F156	CMT4-5PPB	F155						
CMS4-5KPN	F156	CMT5-5BBN	F155						
<b>CMS4-5PBB</b>	<b>F157</b>	CMT5-5BPN	F155						
CMS4-5PBB-TB	F155	CMT5-5PBB	F155						
<b>CMS4-5PBB-SS</b>	<b>F157</b>	CMT5-5PPB	F155						
<b>CMS4-5PPB</b>	<b>F157</b>	CMT5-5RBB	F155						
<b>CMS4-5PPB-SS</b>	<b>F157</b>	CMT5-5RPB	F155						
<b>CMS4-5RBB</b>	<b>F157</b>	CSTPK-1PUP-4B	F150						
CMS4-5RBB-TB	F157	CSTPK-2PUP-4B	F150						
<b>CMS4-5RPB</b>	<b>F157</b>	CSTPK-2PUTS-B	F150						
CMS5-35KBN	F154	CSTPK-3BTS	F150						
CMS5-35KPN	F154	CSTPK-3BTS-7B	F150						
CMS5-3BBN	F156	CSTPK-3BTS-B	F150						
CMS5-3BPN	F156	CSTPK-3PAL	F150						
CMS5-3PBB	F157	CSTPK-3PAL-1	F150						
CMS5-3PPB	F157	CSTPK-3PES	F150						
CMS5-4BBN	F156	CSTPK-3PRS	F150						
CMS5-4BPN	F156	CSTPK-3PSP	F150						
CMS5-4PBB	F157	CSTPK-3PUES-3	F150						
CMS5-4PPB	F157	CSTPK-3PUES-3B	F150						
CMS5-4RBB	F157	CSTPK-3PUES-4	F150						
CMS5-4RPB	F157	CSTPK-3PUES-4B	F150						
CMS5-5BBN	F156	CSTPK-3PUUP-B	F150						
CMS5-5BPN	F156	CSTPK-3PUUP-4B	F150						
CMS5-5PBB	F157	CSTPK-4PBB	F150						
CMS5-5PPB	F157	CSTPK-4PSP	F150						
CMS5-5RBB	F157	CSTPK-4PUTS-1B	F150						
CMS5-5RBB-TB	F157	CSTPK-4RES	F150						
CMS5-5RPB	F155	CSTPK-5BTS	F150						
CMT1-3BBN	F155	CSTPK-5BUP	F150						
CMT1-3BPN	F155	CSTPK-5PES	F150						
CMT1-3KBN	F155	CSTPK-5PES-1	F150						
CMT1-3KPN	F155	CSTPK-5PES-2	F150						
CMT1-3PBB	F155	CSTPK-5PES-3	F150						
CMT1-3PPB	F155	CSTPK-5PES-4B-6	F150						
<b>CMT1-4BBN</b>	<b>F155</b>	CSTPK-5PFC-B	F151						
CMT1-4BPN	F155	CSTPK-5PRS	F151						
CMT1-4KBN	F155	CSTPK-5PRS-B	F151						
CMT1-4KPN	F155	CSTPK-5PRS-SP1	F151						
CMT1-4PBB	F155	CSTPK-5PSP	F151						
CMT1-4PPB	F155	CSTPK-5PTS	F151						
CMT1-4RBB	F155	CSTPK-5PUES-3B	F151						

**Highlighted Models  
Are Our Top Sellers**

# Cabinet Hardware Index

MODEL NO.	PAGE NO.	MODEL NO.	PAGE NO.	MODEL NO.	PAGE NO.	MODEL NO.	PAGE NO.	MODEL NO.	PAGE NO.
B10-1013	G197	GBS15-4118-Q	G172	P45-3500	G175	S10-0026	G187	SE90-0015-C-N	G192
B10-1016	G197	GBS15-4124-Q	G172	P45-4010	G175	S10-Y001	G187, G199	SE90-0015-N	G192
B10-1025	G197	GBS15-4130-Q	G172	P46-1010	G175	S15-1016	G189	SE90-0020	G192
B10-1034	G197	GBS15-413030Q	G172	P46-1012	G175	S15-1020	G189	SE90-0020-C-N	G192
B10-1822	G197	GBS15-4132-Q	G172	P47-1012	G174	S15-1022	G189	SE90-0020-N	G192
B10-X004	G196	GBS15-4136-Q	G172	P47-1018	G174	S25-0014	G188	S95-1000	G193
B10-X008	G196	GBS15-414030Q	G172	P48-1010	G173	S25-0016	G188	S95-Y001	G193
B10-X009	G196	GBS15-4142-Q	G172	P48-1012	G173	S25-0018	G188	S95-Y001-KEY	G194
B10-X012	G196	IR-0031	G199	P48-X002	G173	S25-0020	G188	S95-Y002	G193
B10-X013	G196	IR-1061	G199	P49-1010	G174	S25-0022	G188	S95-Y002-KEY	G194
B13-1010	G197	IR-2112	G199	P49-1500	G173	S25-0024	G188	SG-101	G171
B14-1010	G197	IR-2263	G199	P49-1500-6	G173	S25-0026	G188	W37-3000-SS	G180
B20-1013	G195, G196	M10-8332	G178	P49-2100	G174	S25-0028	G188		
B20-1019	G195, G196	M10-8333	G178	P49-2200	G174	S25-2014	G188		
B20-1028	G195, G196	M11-8201	G178	P50-1010	G175	S25-2016	G188		
B20-1032	G195, G196	M12-9293	G181	P50-1011	G175	S25-2020	G188		
B20-1219	G195, G197	M12-9294	G181	P50-5000	G176	S25-2022	G188		
B20-1230	G195, G196	M12-9295	G181	P51-1010	G175	S25-2028	G188		
B20-1819	G195, G196	M15-9210	G179	P51-1024	G175	S26-0014	G187		
B23-1013	G195, G1967	M15-9211	G179	P52-1010	G175	S26-0016	G187		
B24-1013	G195, G197	M21-2580	G185	P53-1012	G175	S26-0018	G187		
B25-1810	G198	M22-2420	G185	P60-1010	G176	S26-0020	G187		
B30-1013	G197	M22-2430	G185	P62-1010	G176	S26-0022	G187		
B30-1034	G197	M24-2260	G185	P62-1014	G176	S26-0026	G187		
B30-1210	G197	M25-9469	G185	P63-1012	G176	S26-Y001	G187, G199		
B30-X003	G196	M27-2490	G185	P68-1010	G178	S30-1018	G190		
B30-X004	G196	M30-2400	G184	P70-1010	G178	S30-1020	G190		
B30-X008	G196	M30-5920	G184	P73-1000	G176	S30-1022	G190		
B33-1010	G198	M32-2401	G184	P73-2000	G176	S30-1024	G190		
B33-1016	G198	M35-1000	G184	P75-1000-Q	G171	S30-2018	G190		
B34-1010	G198	M35-2000	G184	P75-5000	G171	S30-2020	G190		
B34-1016	G198	M36-0201	G184	P80-3000	G174	S30-2022	G190		
B40-1240	G197	M36-0611	G184	P80-3020	G174	S30-2024	G190		
B56-1096	G200	M36-0801	G184	P80-3030	G174	S30-3018	G190		
B57-0048	G200	M48-0112	G179	P88-1010	G178	S30-3020	G190		
B57-0060	G200	M48-0121	G179	P90-1000	G177	S30-3022	G190		
B57-0072	G200	M48-0122	G179	P90-2000	G177	S30-3024	G190		
B57-0120	G200	M48-0131	G179	P90-2000-C	G177	S30-Y001	G190		
B57-0144	G200	M48-0132	G179	P90-5000	G177	S30-Y002	G190		
B58-5511	G200	M48-0134	G179	P90-5000-C	G177	S35-1016	G189		
B58-5513	G200	M48-0142	G179	P91-5000	G177	S35-1018	G189		
B58-5521	G200	M48-0143	G179	Q20-2081	G195	S35-1020	G189		
B58-5523	G200	M48-0144	G179	Q20-2095	G195	S35-1022	G189		
B60-1086	G200	M48-0154	G179	Q21-5003	G195	S35-1024	G189		
B62-1093	G200	M74-2078	G181	Q21-5017	G195	S35-1026	G189		
CD-1000	G194	M74-3078	G181	Q24-0220	G195	S52-0020	G186		
CD-Y004	G194	M75-1002	G180	Q24-0225	G195	S52-0022	G186		
GBS15-1112-Q	G172	M75-5003	G180	Q24-0230	G195	S52-0024	G186		
GBS15-1112-QP	G172	M80-2500	G178	Q24-0320	G195	S52-0026	G186		
GBS15-1116-Q	G172	P10-0370	G183	Q24-0420	G195	S52-2020	G186		
GBS15-1116-QP	G172	P11-0480	G183	Q24-0520	G195	S52-2022	G186		
GBS15-1118-Q	G172	P20-0490	G183	Q26-3062	G195	S52-2024	G186		
GBS15-1118-QP	G172	P22-0006	G183	Q26-4071	G195	S52-2026	G186		
GBS15-1124-Q	G172	P30-0802	G182	Q26-4072	G195	S52-X001	G186 G199		
GBS15-1124-QP	G172	P30-1000	G182	R74-8000-RH	G180	S52-X101	G186, G199		
GBS15-1130-Q	G172	P30-4750	G182	R74-8001-LH	G180	S80-1520	G191		
GBS15-1130-QP	G172	P30-4751	G182	R74-8100-RH	G180	S80-2020	G191		
GBS15-113030Q	G172	P30-4752	G182	R74-8101-LH	G180	S81-1520-C	G191		
GBS15-1132-Q	G172	P30-4760	G182	R74-9000-RH	G180	S81-2020-C	G191		
GBS15-1132-QP	G172	P30-4761	G182	R74-9001-LH	G180	S90-0015	G192		
GBS15-1136-Q	G172	P30-4762	G182	R75-6661	G181	S90-0015-C-N	G192		
GBS15-1136-QP	G172	P30-4770	G182	R75-6662	G181	S90-0015-N	G192		
GBS15-1142-Q	G172	P30-4771	G182	R76-1000	G181	S90-0020	G192		
GBS15-1142-QP	G172	P30-4772	G182	S10-0014	G187	S90-0020-C-N	G192		
GBS15-1148-Q	G172	P30-4780	G182	S10-0018	G187	S90-0020-N	G192		
GBS15-1148-QP	G172	P40-1010	G174	S10-0020	G187	S90-X032	G192		
GBS15-4112-Q	G172	P44-1010	G175	S10-0022	G187	S90-X033	G192		
GBS15-4116-Q	G172	P45-3000	G175	S10-0024	G187	SE90-0015	G192		

Highlighted Models  
Are Our Top Sellers

G

# Cafeteria Components Index

MODEL NO.	PAGE NO.	MODEL NO.	PAGE NO.	MODEL NO.	PAGE NO.	MODEL NO.	PAGE NO.	MODEL NO.	PAGE NO.
A16-0206-C	H209	J33-1532	H213	WS1224SS	H211				
A24-0206-C	H209	J52-0014	H210	WS1236SS	H211				
A24-0207-C	H210	J52-1250	H210	WS1248SS	H211				
<b>B29-0080</b>	<b>H217</b>	J53-0125	H210	WS1260SS	H211				
B70-1001	H206	J54-1580	H210	WS1272SS	H211				
B70-1001-6	H206	J54-1583	H210	WS1224SS-PR	H211				
B70-1002	H206	J57-7100	H210	WS1236SS-PR	H211				
B70-1003	H206	J57-7125	H210	WS1248SS-PR	H211				
B70-1005	H206	J57-7150	H210	WS1260SS-PR	H211				
B70-1007	H206	J57-7158	H210	WS1272SS-PR	H211				
B70-1008	H206	J58-0014	H210						
B74-0011	H206	J58-0100	H210						
B79-1000	H206	J58-0158	H210						
<b>B79-1038</b>	<b>H206</b>	J60-2240	H208						
B79-2000-L	H206	<b>J60-2260</b>	<b>H208</b>						
B79-2000-R	H206	<b>J60-2270</b>	<b>H208</b>						
B79-2038-L	H206	J62-0012	H208						
B79-2038-R	H206	<b>J63-1451</b>	<b>H207</b>						
B79-X014	H206	<b>J63-1451-8</b>	<b>H207</b>						
B80-0716	H217	J63-1451-9	H207						
IR-0031	H217	<b>J63-1451-10</b>	<b>H207</b>						
IR-0312RD	H217	J63-1651-84	H207						
IR-0312HX	H217	<b>J63-1651-120</b>	<b>H207</b>						
IR-0375HX	H217	J63-2651-78	H207						
<b>IR-1061</b>	<b>H217</b>	<b>J63-2651-120</b>	<b>H207</b>						
IR-1190	H217	<b>J64-1450</b>	<b>H207</b>						
IR-2112	H217	<b>J64-1450-8</b>	<b>H207</b>						
IR-2263	H217	J64-1450-9	H207						
J12-1402	H202	<b>J64-1450-10</b>	<b>H207</b>						
J12-1601	H202	J64-1651-78	H207						
J13-4488	H202	<b>J64-1651-120</b>	<b>H207</b>						
J14-0117	H202	J64-2651-84	H207						
<b>J14-0119</b>	H202	<b>J64-2651-120</b>	<b>H207</b>						
J16-0100	H202, H213	J65-4110	H207						
J16-0158	H202, H213	J70-4691	H215						
J16-0158-SPSS	H202, H213	J70-4701	H215						
J16-0201	H202, H213	J70-4801	H215						
J16-0201-SPSS	H213	J72-4711	H215						
J16-1000-RD	H213	J72-4731	H215						
J16-1000-SQ	H213	J74-4721	H215						
J16-1001-SQ	H213	J74-4723	H215						
J16-1250-RD	H213	J74-4725	H215						
J16-1250-SQ	H213	J74-4730	H215						
J16-1500-RD	H213	<b>J77-4401</b>	<b>H209, H211</b>						
J16-1500-SQ	H213	J77-4420	H209						
J16-1625-RD	H213	J79-4115	H209, H211						
J16-2125-RD	H213	J80-5107-6-C	H212						
<b>J17-4270</b>	<b>H204</b>	J80-5109-6-C	H2107						
<b>J17-4273</b>	<b>H204</b>	J81-5206-6-C	H212						
J18-2000	H204	<b>J81-5207-6-C</b>	<b>H212</b>						
J19-1400	H202	J81-5209-6-C	H212						
J19-4955	H202, H204	J86-4300	H212						
<b>J19-4960</b>	<b>H202, H203</b>	J86-4301	H212						
J19-4960-LT	H203	<b>J92-1000</b>	<b>H214</b>						
J19-4962	H203	J92-5000	H214						
J19-4964	H203	J92-9360	H214						
J19-4966	H203	K22-3100	H214						
<b>J19-4967</b>	<b>H204</b>	K30-1000	H214						
J19-5000	H204	K30-1010	H214						
J25-2100	H205	Q85-2004	H216						
J25-2200	H205	Q85-2016	H216						
J25-2300	H205	Q85-7000	H216						
J29-4482	H205	Q85-7500	H216						
J30-4465	H205	Q85-8000	H216						
J32-X001	H213	Q85-8500	H216						
J32-X002	H213	T80-0485	H214						

**Highlighted Models  
Are Our Top Sellers**

H

# Hot Side Index

MODEL NO.	PAGE NO.	MODEL NO.	PAGE NO.	MODEL NO.	PAGE NO.	MODEL NO.	PAGE NO.	MODEL NO.	PAGE NO.
<b>FRY90-1000</b>	<b>I223</b>								
G10-6550	I221								
G12-6550	I221								
G12-X001	I221								
G22-4310	I221								
<b>G22-4320</b>	<b>I221</b>								
<b>G27-1250</b>	<b>I221</b>								
G28-6491	I222								
G30-6480	I222								
G32-6470	I222								
G34-6460	I222								
G36-4370	I222								
<b>G38-5330</b>	<b>I222</b>								
G40-6451	I222								
<b>G40-6452</b>	<b>I222</b>								
G44-4360	I222								
G46-4360	I222								
<b>G46-4361</b>	<b>I222</b>								
G48-0005	I222								
G50-5420	I222								
<b>M23-5000</b>	<b>I223</b>								
R35-3105-X	I223								
R42-2800	I223								
R42-2843	I223								
<b>S82-1220</b>	<b>I223</b>								
<b>S82-1220-DR</b>	<b>I223</b>								
<b>S82-1220-DRA</b>	<b>I223</b>								
<b>S82-1220-SPSS</b>	<b>I223</b>								

**Highlighted Models  
Are Our Top Sellers**

MODEL NO.	PAGE NO.	MODEL NO.	PAGE NO.	MODEL NO.	PAGE NO.	MODEL NO.	PAGE NO.	MODEL NO.	PAGE NO.
1902-6-32	J232	M90-1016	J226	Q85-7000	J225				
1902-8-32	J232	<b>M90-1018</b>	<b>J226</b>	Q85-7500	J225				
1902-10-24	J232	<b>M90-5012</b>	<b>J226</b>	<b>Q85-8000</b>	<b>J225</b>				
1902-10-32	J232	M92-1010	J236	Q85-8500	J225				
1902-1/4-20	J232	<b>M92-1012</b>	<b>J236</b>	Q90-2126	J231				
1904-6-32	J232	MK-1600-E	J232	Q91-3503	J231				
1904-8-32	J232	MK-1800-E	J232	Q91-3505	J231				
1904-10-24	J232	MK-3320-E	J232	Q99-1000	J226				
1904-10-32	J232	Q31-1024	J227	QBC-0716	J228				
1904-1/4-20	J232	Q31-1420	J227	QBC-1024	J228				
AC-2226	J230	Q32-1024	J227	QIC-1024	J228				
AC-3011	J230	Q32-1420	J227	QIC-1420	J228				
AC-3014	J230	Q33-1024	J227	QOR-0716	J228				
AC-3015	J230	<b>Q33-2024</b>	<b>J227</b>	QOR-1024	J228				
AC-3018	J230	<b>Q34-1024</b>	<b>J227</b>	QOR-1420	J228				
AC-3019	J230	<b>Q34-2024</b>	<b>J227</b>	QTC-0716	J228				
AC-3022	J230	Q36-0001	J228	QTC-1024	J228				
AC-3718	J230	<b>Q36-0028</b>	<b>J228</b>	QTC-1420	J228				
ACD-8100	J229	Q36-1010	J227	SG55-1000	J236				
ACD-8102	J229	Q36-1012	J227	<b>SG55-2000</b>	<b>J236</b>				
ACD-8104	J229	Q36-1013	J227						
AK-4036	J229	Q36-1014	J227						
AK-4060	J229	Q36-1018	J227						
AK-4080	J229	Q36-1110	J227						
AK-4120	J229	<b>Q36-1112</b>	<b>J227</b>						
AK-5036	J229	Q36-1113	J227						
AK-5060	J229	Q36-1114	J227						
AK-5080	J229	Q36-1116	J227						
AK-5100	J229	Q36-1310	J227						
AK-5120	J229	Q36-1312	J227						
AK-7080	J229	Q36-1314	J227						
AK-7100	J229	Q36-1316	J227						
AK-7120	J229	Q36-1410	J227						
AK-7440-AP	J229	Q36-1412	J227						
AK-7446-AP	J229	Q36-1414	J227						
<b>AK-7447-AP</b>	<b>J229</b>	Q36-1416	J227						
AK-7448-AP	J229	Q36-X100	J228						
AK-7486-AP	J229	<b>Q37-0250</b>	<b>J227</b>						
AK-7496-AP	J229	Q37-1412	J227						
AN-5080	J229	Q37-3162	J227						
AN-7080	J229	Q45-4200	J227						
AQ-7401	J230	Q45-4300	J227						
AQ-7402	J230	Q45-4400	J227						
AQ-7405	J230	Q45-4600	J227						
AQ-7408	J230	<b>Q45-4800</b>	<b>J227</b>						
AQ-7409	J230	Q58-0001	J231						
AQ-7411	J230	Q59-1500	J231						
AQ-7413	J230	Q59-4440	J231						
AZ-95016	J229	<b>Q75-1366</b>	<b>J226</b>						
AZ-95018	J229	Q75-1366-DR	J226						
DBR-1000	J231	<b>Q76-1250</b>	<b>J235</b>						
DBR-1000-RR	J231	Q77-1000	J226						
DBR-1000-RS	J231	Q77-1240	J226						
FR-1218	J232	Q77-1250	J226						
FR-1224	J232	Q77-1260	J226						
FR-88162	J232	<b>Q80-4000</b>	<b>J235</b>						
FR-88163	J232	Q80-6000	J235						
FR-88178	J232	Q84-1075	J235						
FR-88179	J232	Q84-3200	J235						
<b>M90-0310</b>	<b>J226</b>	Q84-4250	J235						
<b>M90-0312</b>	<b>J226</b>	Q84-5075	J235						
M90-0314	J226	Q85-1010	J225						
<b>M90-0318</b>	<b>J226</b>	Q85-1012	J225						
<b>M90-1010</b>	<b>J226</b>	Q85-2004	J225						
<b>M90-1012</b>	<b>J226</b>	Q85-2016	J225						
<b>M90-1014</b>	<b>J226</b>	<b>Q85-5225</b>	<b>J235</b>						

**Highlighted Models  
Are Our Top Sellers**

# Alphanumeric Index

MODEL NO.	PAGE NO.	MODEL NO.	PAGE NO.	MODEL NO.	PAGE NO.	MODEL NO.	PAGE NO.	MODEL NO.	PAGE NO.
10/24/02	J232	A10-0631-C	E121	A60-0441	E138	AK-4120	J229	B70-1008	H206
1094	B65	A10-0641-C	E121	A60-0623	E138	AK-5036	J229	B74-0011	H206
10/24/04	J232	A10-0651-C	E121	A60-0631	E138	AK-5060	J229	B79-1000	H206
5270	B65	A10-0654-C	E125	A60-0633	E138	AK-5080	J229	B79-1038	H206
5804	B66	A10-0811-C	E121, E145	A60-0633-R	E137	AK-5100	J229	B79-2000-L	H206
6449	B65	A10-0831-C	E121, E136	A60-0641	E138	AK-5120	J229	B79-2000-R	H206
6601	B66	A10-0841-C	E121, E136	A60-1438	E139	AK-7080	J229	B79-2038-L	H206
151016	A18	A10-0851-C	E121, E136	A60-1651	E138	AK-7100	J229	B79-2038-R	H206
151020	A18	A10-0852-C	E121, E136	A60-1653	E138	AK-7120	J229	B79-X014	H206
151216	A18	A10-0852-S	E122	A60-1653-SP1	E138	AK-7440-AP	J229	B80-0716	H217
151218	A18	A10-0853-C	E125, E136	A60-1653-SP2	E138	AK-7446-AP	J229	C11-1020	F156
151220	A18	A10-0854-C	E125, E136	A60-1653-SP3	E138	AK-7447-AP	J229	C11-1030	F156
151224	A18	A10-0881-C	E123, E136	A60-1653-SP4	E138	AK-7448-AP	J229	C11-1031	F156
151616	A18	A10-0884-C	E123, E136	A60-2105	E139	AK-7486-AP	J229	C11-1040	F156
151620	A18	A10-1000	E122	A60-2205	E139	AK-7496-AP	J229	C11-1041	F156
151625	A18	A10-1500	E122	A60-2210	E139	AN-5080	J229	C11-1050	F156
152010	A18	A10-9904-C	E125	A60-2305	E139	AN-7080	J229	C11-1051	F156
152016	A18	A11-0851-C	E121	A60-2405	E139	AP61-4003-C	E127	C11-2030	F156
152020	A18	A11-0854-C	E125	A60-2724	E143	AP62-4003-C	E127	C11-2031	F156
152025	A18	A14-0221-C	E124	A60-4444	E143	AP63-2003-C	E127	C11-2040	F156
152516	A18	A14-0224-C	E125	A60-X001	E138	AP63-4003-C	E127	C11-2041	F156
152520	A18	A14-0411-C	E124	A60-X003	E138	AP64-4003-C	E127	C11-2050	F156
201616	A20	A14-0421-C	E124	A70-1000	E140	AQ-7401	J230	C11-2051	F156
201620	A20	A14-0424-C	E125	A70-1010	E140	AQ-7402	J230	C11-3041	F156
202016	A20	A14-0611-C	E124	A70-1010-M	E140	AQ-7405	J230	C13-1140	F157
202020	A20	A14-0651-C	E124	A70-1020	E140	AQ-7408	J230	C13-1141	F157
202025	A20	A14-0653-C	E125	A70-1020-GL	E140	AQ-7409	J230	C13-1150	F157
301616	A21	A14-0654-C	E125	A70-2000	E140	AQ-7411	J230	C13-1151	F157
301620	A21	A15-0851-C	E124	A70-2010	E140	AQ-7413	J230	C13-1240	F157
301625	A21	A15-0854-C	E125	A70-2010-M	E140	AZ-95016	J229	C13-1241	F157
302016	A21	A16-0206-C	E120, H209	A70-2020	E140	AZ-95018	J229	C13-1250	F157
302020	A21	A18-0202-C	E120	A70-X011	E140	B10-1013	G197	C13-1251	F157
302025	A21	A18-0203-C	E120	A71-1020	E140	B10-1016	G197	C13-1330	F157
750002	A33	A18-0206-C	E120	A72-0811	E129	B10-1025	G197	C13-1331	F157
750606	A34	A18-0306-C	E119	A76-4460	E143	B10-1034	G197	C13-1340	F157
750707	A34	A18-0402-C	E120	A77-5048-C	E129	B10-1822	G197	C13-1350	F157
750710	A34	A18-0406-C	E120	A78-5048-C	E129	B10-X004	G196	C13-1351	F157
750712	A34	A18-9900-C	E120	A79-5048-C	E129	B10-X008	G196	C13-1440	F157
750715	A34	A18-X001	E119, E120	A84-5048-C	E130	B10-X009	G196	C13-1450	F157
750720	A34	A19-1000	E119	A85-9706-C	E130	B10-X012	G196	C13-1451	F157
750723	A34	A20-0206-C	E119	A86-5048-C	E130	B10-X013	G196	C13-1540	F157
751212	A34	A20-0406-C	E119	A88-9902-C	E126	B13-1010	G198	C13-1541	F157
751220	A34	A24-0206-C	H209	A90-9902-C	E126	B14-1010	G198	C13-1550	F157
751620	A34	A24-0206-C	H209	A92-8048-C	E132	B20-1013	G196, G197	C13-1551	F157
752020	A34	A24-0207-C	E119, H210	A93-8048-C	E132	B20-1019	G196, G197	C13-2140	F157
10-516	B66	A26-0207-C	E119	A95-8048-C	E132	B20-1028	G196, G197	C13-2141	F157
1902-1/4-20	J232	A28-0207-C	E119	A99-9906-C	E133	B20-1032	G196, G197	C13-2150	F157
1902-10-32	J232	A35-1010	E141	A99-9940-C	E137	B20-1219	G196, G197	C13-2151	F157
1902-6-32	J232	A35-1010-SS	E141	AB48-5032-C	E131	B20-1230	G196, G197	C13-2240	F157
1902-8-32	J232	A35-1020	E141	AB48-5048-C	E131	B20-1819	G196, G197	C13-2241	F157
1904-1/4-20	J232	A35-1020-SS	E141	AB84-5048-C	E131	B23-1013	G196, G198	C13-2250	F157
1904-10-32	J232	A35-1025-SS	E141	AC-2226	J230	B24-1013	G196, G198	C13-2251	F157
1904-6-32	J232	A35-1030	E141	AC-3011	J230	B25-1810	G199	C13-2340	F157
1904-8-32	J232	A35-2010	E141	AC-3014	J230	B29-0080	H217	C13-2341	F157
20-001	B66	A35-2020	E141	AC-3015	J230	B30-1013	G197	C13-2350	F157
6601-B	B66	A35-2030	E141	AC-3018	J230	B30-1034	G197	C13-2351	F157
750505-C	A35	A37-1010	E142	AC-3019	J230	B30-1210	G197	C13-2440	F157
750511-C	A35	A37-1020	E142	AC-3022	J230	B30-X003	G196	C13-2441	F157
750517-C	A35	A37-2010	E142	AC-3718	J230	B30-X004	G196	C13-2450	F157
750808-C	A35	A37-2020	E142	ACC-10X6	A33	B30-X008	G196	C13-2451	F157
750811-C	A35	A44-X301-C	E142	ACC-12X8	A33	B33-1010	G198	C13-2540	F157
750817-C	A35	A44-X309-C	E142	ACC-18X14	A33	B33-1016	G198	C13-2541	F157
750823-C	A35	A44-X327-C	E142	ACD-8100	J229	B34-1010	G198	C13-2550	F157
751117-C	A35	A44-X341-C	E142	ACD-8102	J229	B34-1016	G198	C13-2551	F157
751123-C	A35	A46-4048-C	E134	ACD-8104	J229	B40-1240	G197	C13-3140	F157
751717-C	A35	A46-4080-C	E134	AE41-4002-C	E137	B56-1096	G200	C13-3141	F157
751723-C	A35	A46-4160-C	E134	AE60-1453	E137	B57-0048	G200	C13-3150	F157
760804-D14	A33	A46-4272-C	E134	AE60-1653	E137	B57-0060	G200	C13-3151	F157
90VML-20X4	A30	A46-4288-C	E134	AE60-X010	E137	B57-0072	G200	C13-3240	F157
90VML-24X10	A30	A46-6048-C	E134	AE61-2003-C	E128	B57-0120	G200	C13-3241	F157
90VML-24X12	A30	A46-6080-C	E134	AE61-2104-C	E128	B57-0144	G200	C13-3250	F157
90VML-24X4	A30	A46-6160-C	E134	AE61-4002-C	E128	B58-5511	G200	C13-3251	F157
90VML-24X6	A30	A46-6272-C	E134	AE61-5002-C	E128	B58-5513	G200	C13-3340	F157
90VML-24X8	A30	A46-6288-C	E134	AE62-2104-C	E128	B58-5521	G200	C13-3341	F157
90VML-30X6	A30	A47-9932-C	E126	AE62-4002-C	E128	B58-5523	G200	C13-3350	F157
90VML-36X6	A30	A48-5032-C	E130	AE62-5002-C	E128	B60-1086	G200	C13-3440	F157
A10-0010-C	E121, E122, E123	A48-5048-C	E130	AE63-2003-C	E128	B62-1093	G200	C13-3441	F157
A10-0020	E119, E120, E141, E142, E143	A50-5032-C	E130	AE63-2104-C	E128	B70-1001	H206	C13-3450	F157
A10-0221-C	E121	A50-5048-C	E130	AE63-4002-C	E128	B70-1001-6	H206	C13-3451	F157
A10-0421-C	E121	A50-9704-C	E130	AE63-5002-C	E128	B70-1002	H206	C13-3540	F157
A10-0611-C	E121	A50-9939-C	E126	AK-4036	J229	B70-1003	H206	C13-3541	F157
		A52-9907-C	E129	AK-4060	J229	B70-1005	H206	C13-3550	F157
		A60-0431	E138	AK-4080	J229	B70-1007	H206	C13-3551	F157



MODEL NO.	PAGE NO.	MODEL NO.	PAGE NO.	MODEL NO.	PAGE NO.	MODEL NO.	PAGE NO.	MODEL NO.	PAGE NO.
C13-5430	F157	C23-3250	F159	CMP1-5PPB	F150	CMS3-4KBN	F154	CMT1-5RBB	F153
C13-5431	F157	C23-3251	F159	CMP1-5RBB	F150	CMS3-4KPN	F154	CMT1-5RPB	F153
C21-1035	F158	C23-3335	F159	CMP1-5RBB-TB	F150	CMS3-4PBB	F155	CMT2-3BBN	F153
C21-1035-R	F158	C23-3336	F159	CMP1-5RPB	F150	CMS3-4PPB	F155	CMT2-3BPN	F153
C21-1036	F158	C23-3350	F159	CMP1-5RPB-B	F150	CMS3-4RBB	F155	CMT2-3PBB	F153
C21-1050	F158	C23-3351	F159	CMP4-5BBB	F152	CMS3-4RPB	F155	CMT2-3PPB	F153
C21-1050-R	F158	C23-3435	F159	CMP4-5BPB	F152	CMS3-5BBN	F154	CMT2-5BBN	F153
C21-1051	F158	C23-3436	F159	CMP4U-5PBB	F152	CMS3-5BPN	F154	CMT2-5BPN	F153
C21-2035	F158	C23-3450	F159	CMP4U-5PPB	F152	CMS3-5PBB	F155	CMT2-5PBB	F153
C21-2035-R	F158	C23-3451	F159	CMPU-5BBN	F152	CMS3-5PPB	F155	CMT2-5PPB	F153
C21-2036	F158	C23-3535	F159	CMPU-5BPN	F152	CMS3-5RBB	F155	CMT2-5RBB	F153
C21-2050	F158	C23-3536	F159	CMPU-5KBN	F152	CMS3-5RBB-TB	F155	CMT2-5RPB	F153
C21-2050-R	F158	C23-3550	F159	CMPU-5KPN	F152	CMS3-5RPB	F155	CMT3-5BBN	F153
C21-2050-SS	F161	C23-3551	F159	CMPU-5PBB	F152	CMS4-35KBN	F152	CMT3-5BPN	F153
C21-2051	F158	C25-1000	F162	CMPU-5PPB	F152	CMS4-35KPN	F152	CMT4-3BBN	F153
C21-2051-SS	F161	C25-1001	F162	CMPU-5RBB	F152	CMS4-3BBN	F154	CMT4-5PBB	F153
C21-3035	F158	C31-2050	F162	CMPU-5RPB	F152	CMS4-3BPN	F154	CMT4-5PPB	F153
C21-3036	F158	C31-2051	F162	CMR1-3BPN	F151	CMS4-3KBN	F154	CMT5-5BBN	F153
C21-3040	F158	C31-2060	F162	CMR1-3KPN	F151	CMS4-3KPN	F154	CMT5-5BPN	F153
C21-3041	F158	C31-2061	F162	CMR1-3PPB	F151	CMS4-3PBB	F155	CMT5-5PBB	F153
C21-3050	F158	C31-2080	F162	CMR1-4BPN	F151	CMS4-3PPB	F155	CMT5-5PPB	F153
C21-3051	F158	C31-2081	F162	CMR1-4KPN	F151	CMS4-4BBN	F154	CMT5-5RBB	F153
C23-1135	F159	C47-0306-C	F163	CMR1-4PPB	F151	CMS4-4BBNS	F154	CMT5-5RPB	F153
C23-1136	F159	C47-0316-C	F163	CMR1-4RPB	F151	CMS4-4BPN	F154	CSTPK-1PUP-4B	F148
C23-1150	F159	C47-0406-C	F163	CMR1-5BPN	F151	CMS4-4BPN	F154	CSTPK-1PUP-4B	F148
C23-1150-R	F160	C47-0416-C	F163	CMR1-5KPN	F151	CMS4-4BPNS	F154	CSTPK-2PUPS-B	F148
C23-1151	F159	C47-0506	F163	CMR1-5PPB	F151	CMS4-4KBN	F154	CSTPK-2PUTS-B	F148
C23-1235	F159	C47-0516	F163	CMR1-5RPB	F151	CMS4-4KPN	F154	CSTPK-3BTS	F148
C23-1236	F159	C48-03185-C	F163	CMS1-35KBN	F152	CMS4-4PBB	F155	CSTPK-3BTS-7B	F148
C23-1250	F159	C50-0406-C	F163	CMS1-35KBN	F152	CMS4-4PPB	F155	CSTPK-3BTS-B	F148
C23-1251	F159	C50-0416-C	F163	CMS1-35KPN	F152	CMS4-4RBB	F155	CSTPK-3PAL	F148
C23-1335	F159	C50-0506-C	F163	CMS1-35KPN	F152	CMS4-4RPB	F155	CSTPK-3PAL-1	F148
C23-1336	F159	C50-0516-C	F163	CMS1-3BBN	F154	CMS4-5BBN	F154	CSTPK-3PES	F148
C23-1350	F159	C60-1010	F165	CMS1-3BPN	F154	CMS4-5BBN-TB	F154	CSTPK-3PRS	F148
C23-1350-R	F160	C60-1010-SR	F165	CMS1-3PBB	F155	CMS4-5BPN	F154	CSTPK-3PSP	F148
C23-1351	F159	C60-1012	F165	CMS1-3PPB	F155	CMS4-5KBN	F154	CSTPK-3PUES-3	F148
C23-1435	F159	C60-1020	F165	CMS1-4BBN	F154	CMS4-5KPN	F154	CSTPK-3PUES-3B	F148
C23-1436	F159	C60-1030	F165	CMS1-4BPN	F154	CMS4-5PBB	F155	CSTPK-3PUES-4	F148
C23-1450	F159	C60-1040	F165	CMS1-4KBN	F154	CMS4-5PBB-TB	F155	CSTPK-3PUES-4B	F148
C23-1450-R	F160	C60-1040-B	F165	CMS1-4PBB	F155	CMS4-5PPB	F155	CSTPK-3PUUP-B	F148
C23-1451	F159	C60-1050	F165	CMS1-4PPB	F155	CMS4-5PPB-SS	F155	CSTPK-4PBB	F148
C23-1535	F159	C60-1050-B	F165	CMS1-4RBB	F155	CMS4-5RBB	F155	CSTPK-4PSP	F148
C23-1536	F159	C60-5010	F165	CMS1-4RPB	F155	CMS4-5RBB-TB	F155	CSTPK-4PUTS-1B	F148
C23-1550	F159	C60-X100-B	F165	CMS1-5BBN	F154	CMS4-5RPB	F155	CSTPK-4RES	F148
C23-1551	F159	C65-1010	F164	CMS1-5BPN	F154	CMS5-35KBN	F152	CSTPK-5BTS	F148
C23-2135	F159	C65-2072	F164	CMS1-5KBN	F154	CMS5-35KPN	F152	CSTPK-5BUP	F148
C23-2136	F159	C65-2120	F164	CMS1-5KPN	F154	CMS5-3BBN	F154	CSTPK-5PES	F148
C23-2150	F159	C65-5000	F164	CMS1-5PBB	F155	CMS5-3BPN	F154	CSTPK-5PES-1	F148
C23-2150-SS	F160	C65-5090	F164	CMS1-5PPB	F155	CMS5-3PBB	F155	CSTPK-5PES-2	F148
C23-2151	F159	C83-0506	F163	CMS1-5PPB-TB	F155	CMS5-3PPB	F155	CSTPK-5PES-3	F148
C23-2151-SS	F160	C83-0516	F163	CMS1-5RBB	F155	CMS5-4BBN	F154	CSTPK-5PES-4B-6	F148
C23-2235	F159	C86-0506	F163	CMS1-5RPB	F155	CMS5-4BPN	F154	CSTPK-5PFC-B	F149
C23-2236	F159	C86-0516-C	F163	CMS2-35KBN	F152	CMS5-4PBB	F155	CSTPK-5PRS	F149
C23-2250	F159	C99-1030	F153	CMS2-35KPN	F152	CMS5-4PPB	F155	CSTPK-5PRS-B	F149
C23-2250-SS	F161	C99-1031	F153	CMS2-3BBN	F154	CMS5-4RBB	F155	CSTPK-5PRS-SP1	F149
C23-2251	F159	C99-1050	F153	CMS2-3BPN	F154	CMS5-4RPB	F155	CSTPK-5PSP	F149
C23-2251-SS	F161	C99-1051	F153	CMS2-3PBB	F155	CMS5-5BBN	F154	CSTPK-5PTS	F149
C23-2335	F159	CD-1000	G194	CMS2-3PPB	F155	CMS5-5BPN	F154	CSTPK-5PUES-3B	F149
C23-2336	F159	CD-Y004	G194	CMS2-4BBN	F154	CMS5-5PBB	F155	CSTPK-5PUES-4B	F149
C23-2350	F159	CFL-36U54X2T5	D106	CMS2-4BPN	F154	CMS5-5PPB	F155	CSTPK-5PUES-4B-6	F149
C23-2350-SS	F161	CLP2-3BBN	F151	CMS2-4KBN	F154	CMS5-5RBB	F155	CSTPK-5PUP	F149
C23-2351	F159	CLP2-3BPN	F151	CMS2-4KPN	F154	CMS5-5RBB-TB	F155	CSTPK-5PUP-4	F149
C23-2351-SS	F161	CMP1-35KBN	F152	CMS2-4PBB	F155	CMS5-5RPB	F155	CSTPK-5PUPS	F149
C23-2435	F159	CMP1-35KPN	F152	CMS2-4PPB	F155	CMT1-3BBN	F153	CSTPK-5PUPS-B	F149
C23-2436	F159	CMP1-3BBN	F150	CMS2-4RBB	F155	CMT1-3BPN	F153	CSTPK-5PUPS	F149
C23-2450	F159	CMP1-3BPN	F150	CMS2-4RPB	F155	CMT1-3KBN	F153	CSTPK-5PUSP-B	F149
C23-2450-SS	F161	CMP1-3KBN	F150	CMS2-5BBN	F154	CMT1-3KPN	F153	CSTPK-5PUTS-1B	F149
C23-2451	F159	CMP1-3KPN	F150	CMS2-5BPN	F154	CMT1-3PBB	F153	CSTPK-5PUTS-2B	F149
C23-2451-SS	F161	CMP1-3PBB	F150	CMS2-5KBN	F154	CMT1-3PPB	F153	CSTPK-5PUTS-3B	F149
C23-2535	F159	CMP1-3PPB	F150	CMS2-5KPN	F154	CMT1-4BBN	F153	CSTPK-5PUTS-4	F149
C23-2536	F159	CMP1-4BBN	F150	CMS2-5PBB	F155	CMT1-4BPN	F153	CSTPK-5PUUP	F149
C23-2550	F159	CMP1-4BPN	F150	CMS2-5PPB	F155	CMT1-4KBN	F153	CSTPK-5PUUP-4B	F149
C23-2550-SS	F161	CMP1-4KBN	F150	CMS2-5RBB	F155	CMT1-4KPN	F153	CSTPK-5PUUP-B	F149
C23-2551	F159	CMP1-4KPN	F150	CMS2-5RBB-TB	F155	CMT1-4PBB	F153	CSTPK-5RES	F149
C23-2551-SS	F161	CMP1-4PBB	F150	CMS2-5RPB	F155	CMT1-4PPB	F153	CSTPK-5RES-3	F149
C23-3135	F159	CMP1-4PPB	F150	CMS3-35KBN	F152	CMT1-4RBB	F153	CSTPK-5RSP	F149
C23-3136	F159	CMP1-4RBB	F150	CMS3-35KPN	F152	CMT1-4RPB	F153	CSTPK-5RSP-T1	F149
C23-3150	F159	CMP1-4RPB	F150	CMS3-3BBN	F154	CMT1-5BBN	F153	CSTPK-5RST-1	F149
C23-3150-SS	F161	CMP1-5BBN	F150	CMS3-3BPN	F154	CMT1-5BPN	F153	CSTPK-5RUP	F149
C23-3151	F159	CMP1-5BPN	F150	CMS3-3PBB	F155	CMT1-5KBN	F153	CSTPK-6PBB	F149
C23-3151-SS	F161	CMP1-5KBN	F150	CMS3-3PPB	F155	CMT1-5KPN	F153	CTB-1500	F147
C23-3235	F159	CMP1-5KPN	F150	CMS3-4BBN	F154	CMT1-5PBB	F153	DBR-1000	J231
C23-3236	F159	CMP1-5PBB	F150	CMS3-4BPN	F154	CMT1-5PPB	F153	DBR-1000-RR	J231

# Alphanumeric Index

MODEL NO.	PAGE NO.	MODEL NO.	PAGE NO.	MODEL NO.	PAGE NO.	MODEL NO.	PAGE NO.	MODEL NO.	PAGE NO.
DBR-1000-RS	J231	FR51-2016	A23	J16-1000-SQ	H213	J86-4300	H212	LED-L80-20DW	D109
EFI-SQL	A32	FR51-2020	A23	J16-1001-SQ	H213	J86-4301	H212	LED-L82-1030-40N	D110
EFI-SQS	A32	FR51-2025	A23	J16-1250-RD	H213	J92-1000	H214	LED-L82-1030-40W	D110
EFI-UB	A32	FR51-2516	A23	J16-1250-SQ	H213	J92-5000	H214	LED-L82-1040-50N	D110
F10-1187	A27	FR51-2520	A23	J16-1500-RD	H213	J92-9360	H214	LED-L82-1040-50W	D110
F11-0012	A28	FR51-X015	A25	J16-1500-SQ	H213	K22-3100	H214	LED-L82-RF1030-40N	
F11-0012A	A28	FRY90-1000	I223	J16-1625-RD	H213	K30-1000	H212		D110
F11-0012B	A28	G10-6550	I221	J16-2125-RD	H213	K30-1010	H212	LED-L82-RF1030-40W	
F11-0014	A28	G12-6550	I221	J17-4270	H204	L10-X006	D107		D110
F11-0034	A28	G12-X001	I221	J17-4273	H204	L10-X007	D107	LED-L82-RF1040-50N	
F11-0038A	A28	G22-4310	I221	J18-2000	H204	L10-X008	D107		D110
F11-0038A	A28	G22-4320	I221	J19-1400	H202	L10-X020	D107, D115	LED-L82-RF1040-50W	
F11-004	A29	G27-1250	I221	J19-4955	H202, H204	L10-X026	D107		D110
F11-0100	A28	G28-6491	I222	J19-4960	H202, H203	L10-Y005	D107	LED-L87-1004-30N	D111
F11-0112	A28	G30-6480	I222	J19-4960-LT	H203	L10-Y010	D107	LED-L87-1004-30W	D111
F11-0114	A28	G32-6470	I222	J19-4962	H203	L10-Y016	D107	LED-L87-1008-30N	D111
F12-0034	A29	G34-6460	I222	J19-4964	H203	L20-1010	D108	LED-L87-1008-30W	D111
F12-0078	A29	G36-4370	I222	J19-4966	H203	L20-1010-CL	D101, D108	LED-L87-1030N	D111
F12-0118	A29	G38-5330	I222	J19-4967	H204	L20-1010-CSA	D108	LED-L87-1030W	D111
F12-0138	A29	G40-6451	I222	J19-5000	H204	L20-1010-L07C	D101	LED-PK100DD-C	D101
F12-0158	A29	G40-6452	I222	J25-2100	H205	L20-1010-N	D101, D108	LED-PK100DD-N	D101
F15-0019	A27	G44-4360	I222	J25-2200	H205	L20-2778	D108	LED-PL35-W	D112
F15-1000P	A29	G46-4360	I222	J25-2300	H205	L20-2779	D108	LED-RB-X110	D102
F15-2500-C	A27	G46-4361	I222	J29-4482	H205	L50-X009	D115	LED-RB-X112	D102
F15-250T	A29	G48-0005	I222	J30-4465	H205	L50-X011	D115	LED-RB-X115	D102
F15-375T	A29	G50-5420	I222	J32-X001	H213	L50-Y001	D115	LED-RB-X150	D102
F15-4000-C	A27	GBS15-1112-Q	G172	J32-X002	H213	L55-1004	D114	LED-RB-X155	D102
F15-500EMT	A29	GBS15-1112-QP	G172	J33-1532	H213	L55-1004-CSA	D114	LED-RB-X160	D102
F15-500P	A29	GBS15-1116-Q	G172	J52-0014	H210	L55-1004-HT	D112	LED-RB-X170	D102
F15-500T250P	A29	GBS15-1116-QP	G172	J52-1250	H210	L55-1024	D114	LED-RB-X200	D102
F15-625T375P	A29	GBS15-1118-Q	G172	J53-0125	H210	L55-1024-CSA	D114	LED-RB-X206	D102
F15-750P	A29	GBS15-1118-QP	G172	J54-1580	H210	L55-1024-HT	D114	LED-RB-X212	D102
F40-1020	A25	GBS15-1124-Q	G172	J54-1583	H210	L55-2004	D114	LED-RB-X218	D102
F40-1620	A23	GBS15-1124-QP	G172	J57-7100	H210	L55-2004-CSA	D114	LED-RB-X224	D102
F40-1625	A25	GBS15-1130-Q	G172	J57-7125	H210	L55-2004-HT	D114	LED-RB-X236	D102
F40-2020	A25	GBS15-1130-QP	G172	J57-7150	H210	L55-2024	D114	LED-RB-X270	D102
F40-2025	A25	GBS15-113030Q	G172	J57-7158	H210	L55-2024-CSA	D114	LED-RB-X300	D102
F41-0001	A25	GBS15-1132-Q	G172	J58-0014	H210	L55-2024-HT	D114	LED-RB-X500	D102
F41-1020	A25	GBS15-1132-QP	G172	J58-0100	H210	L55-LEDN-1004	D113	LED-RB-X501	D102
F41-1620	A25	GBS15-1136-Q	G172	J58-0158	H210	L55-LEDN-1024	D113	LED-RB08-DIM-x	D102
F41-1625	A25	GBS15-1136-QP	G172	J60-2220	C98	L55-LEDN-2004	D113	LED-RB12-DIM-x	D102
F41-2020	A25	GBS15-1142-Q	G172	J60-2240	C98, H208	L55-LEDN-2024	D113	LED-RB18-DIM-x	D102
F41-2025	A25	GBS15-1142-QP	G172	J60-2260	C98, H208	L55-LEDW-1004	D113	LED-RB24-DIM-x	D102
FA51-1016	A24	GBS15-1148-Q	G172	J60-2270	C98, H208	L55-LEDW-1024	D113	LED-RB30-DIM-x	D102
FA51-1020	A24	GBS15-1148-QP	G172	J60-2320	C98	L55-LEDW-2004	D113	LED-RB36-DIM-x	D102
FA51-1216	A24	GBS15-4112-Q	G172	J62-0012	H208	L55-LEDW-2024	D113	LED-RB48-DIM-x	D102
FA51-1220	A24	GBS15-4116-Q	G172	J63-1451	A24, H207	L55-X003	D115	LED-RR-400	D103
FA51-1616	A24	GBS15-4118-Q	G172	J63-1451-10	A24	L55-X003-HT	D115	LED-RR-401	D103
FA51-1620	A24	GBS15-4124-Q	G172	J63-1451-10	H207	L55-X006	D115	LED-RR-402	D103
FA51-1625	A24	GBS15-4130-Q	G172	J63-1451-8	A24, H207	L55-X022	D115	LED-RR-X100	D103
FA51-2016	A24	GBS15-413030Q	G172	J63-1451-9	A24, H207	L55-Y001	D115	LED-RR-X103	D103
FA51-2020	A24	GBS15-4132-Q	G172	J63-1651-120	A24, H207	L55-Y001-CSA	D115	LED-RR-X112	D103
FA51-2025	A24	GBS15-4136-Q	G172	J63-1651-78	A24	L55-Y001-HT	D115	LED-RR-X139	D103
FA51-2520	A24	GBS15-414030Q	G172	J63-1651-84	H207	L82-1020	D112	LED-RR-X201	D103
FG51-1016	A23	GBS15-4142-Q	G172	J63-2651-120	A24, H207	L82-1020-L09C	D111	LED-RR-X202	D103
FG51-1020	A23	GFK-6449-C	B67	J63-2651-78	H207	L82-1020-L09N	D111	LED-RR-X203	D103
FG51-1216	A23	GFK-6449-S	B67	J63-2651-84	A24	L82-1020-L09W	D111	LED-RR-X204	D103
FG51-1220	A23	HINGE SELECTOR GUIDE		J64-1450	A24, H207	L82-1030	D112	LED-RR-X302	D103
FG51-1616	A23		B40, C71	J64-1450-10	A24, H207	L82-1040	D112	LED-RR-X303	D103
FG51-1620	A23	IR-0031	G199	J64-1450-8	A24, H207	L82-Y001	D115	LED-RR-X304	D103
FG51-1625	A23	IR-0031	H217	J64-1450-9	A24, H207	L82-Y002	D115	LED-RR-X305	D103
FG51-2016	A23	IR-0312HX	H217	J64-1651-120	A24, H207	L82-Y003	D115	LED-RR12-x	D103
FG51-2020	A23	IR-0312RD	H217	J64-1651-78	A24, H207	L87-1004	D112	LED-RR18-x	D103
FG51-2025	A23	IR-0375HX	H217	J64-2651-120	A24, H207	L87-Y001	D115	LED-RR20-x	D103
FG51-2516	A23	IR-1061	G199	J64-2651-84	A24, H207	LED-212009C	D105	LED-RR30-x	D103
FG51-2520	A23	IR-1061	H217	J65-4110	H207	LED-212018-C	D105	LED-RR35-x	D103
FG74-0506	A28	IR-1190	H217	J70-4691	H215	LED-212122C	D105	LED-RR40-x	D103
FG99-0005	A28	IR-2112	G199	J70-4701	H215	LED-212122N	D105	LED-RR48-x	D103
FIP-PANEL		IR-2112	H217	J70-4801	H215	LED-212122W	D105	LED-TB40-T6-W	D100
FASTENERS	C92	IR-2263	G199	J72-4711	H215	LED-321420C	D100	LED-TB40-T6A-W	D100
FR-1218	J232	IR-2263	H217	J72-4731	H215	LED-321420C-B	D100	LED48X6218C	D105
FR-1224	J232	J12-1402	H202	J74-4721	H215	LED-321420W	D100	LED48X62221C	D105
FR-88162	J232	J12-1601	H202	J74-4723	H215	LED-321420W-B	D100	LED48X62221N	D105
FR-88163	J232	J13-4488	H202	J74-4725	H215	LED-40000N-B	D113	LED48X62221W	D105
FR-88178	J232	J14-0117	H202	J74-4730	H215	LED-40000N-P	D113	LED48X754-CL-N	D104
FR-88179	J232	J14-0119	H202	J77-4401	H209, H211	LED-40000W-B	D113	LED48X754-ML-N	D104
FR51-1016	A23	J16-0100	H202, H213	J77-4420	H209	LED-40001N	D113	M10-8332	G178
FR51-1020	A23	J16-0158	H202, H213	J79-4115	H209, H211	LED-E26E17ADPT	D100	M10-8333	G178
FR51-1216	A23	J16-0158-SPSS	H202, H213	J80-5107-6-C	H212	LED-FL60-CL-C	D100	M11-8201	G178
FR51-1220	A23		H213	J80-5109-6-C	H212	LED-FL60-ML-C	D100	M12-9293	G178
FR51-1616	A23	J16-0201	H202, H213	J81-5206-6-C	H212	LED-L80-15DN	D109	M12-9294	G178
FR51-1620	A23	J16-0201-SPSS	H213	J81-5207-6-C	H212	LED-L80-15DW	D109	M12-9295	G178
FR51-1625	A23	J16-1000-RD	H213	J81-5209-6-C	H212	LED-L80-20DN	D109	M15-9210	B47, G179

# Alphanumeric Index

MODEL NO.	PAGE NO.	MODEL NO.	PAGE NO.	MODEL NO.	PAGE NO.	MODEL NO.	PAGE NO.	MODEL NO.	PAGE NO.
M15-9211	B47, G179	P47-1018	G174	Q36-1416	J227	R25-1700-XNC	B45	R56-7040	B55, B57
M21-2580	G185	P48-1010	B41	Q36-X100	J228	R25-X002	B45	R56-7041	B57
M22-2420	G185	P48-1010	G173	Q37-0250	A27	R25-Y001	B45	R56-8010	B58
M22-2430	G185	P48-1012	B41	Q37-0250	J227	R26-1000	B43	R56-8011	B58
M23-5000	J223	P48-1012	G173	Q37-1412	J227	R26-Y001	B43	R56-8040	B58
M24-2260	G185	P48-X002	B41	Q37-3162	J227	R27-1010-X	B46	R56-8041	B58
M25-9469	G185	P48-X002	G173	Q45-4200	J227	R30-9140-5/8	B47	R58-1010	D116
M27-2490	G185	P49-1010	G174	Q45-4300	J227	R30-9140-FL	B47	R58-1020	D116
M30-2400	G184	P49-1500	B41	Q45-4400	J227	R35-1105	B42	R61-8410	D117
M30-5920	G184	P49-1500	G173	Q45-4600	J227	R35-1105-C	B40	R62-8406	D117
M32-2401	G184	P49-1500-6	B41	Q45-4800	J227	R35-1105-X	B42	R65-3228	D117
M35-1000	G184	P49-2100	G173	Q58-0001	J231	R35-1105-XC	B42	R69-1630	D117
M35-2000	G184	P49-2200	G173	Q59-1500	J231	R35-3105-X	E12	R70-0720	D117
M36-0201	G184	P50-1010	G175	Q59-4440	J231	R35-3105-X	I223	R70-0723	D117
M36-0611	G184	P50-1011	G175	Q75-1366	J226	R35-Y001	B42	R71-0721	D117
M36-0801	G184	P50-5000	G176	Q75-1366-DR	J226	R35-Y005	B42	R73-1210	D116
M48-0112	G179	P51-1010	G175	Q76-1250	J235	R40-1010	B51	R73-1212	D116
M48-0121	G179	P51-1024	G175	Q77-1000	B64	R40-X002	B54	R73-2201	D116
M48-0122	G179	P52-1010	G175	Q77-1000	J226	R40-X003	B54	R73-2202	D116
M48-0131	G179	P53-1012	G175	Q77-1240	B64	R42-2000	B50	R73-2203	D116
M48-0132	G179	P60-1010	G176	Q77-1240	J226	R42-2800	B49, B50, I223	R74-8000-RH	G180
M48-0134	G179	P62-1010	G176	Q77-1250	B64	R42-2801	B49	R74-8001-LH	G180
M48-0142	G179	P62-1014	G176	Q77-1250	J226	R42-2810	B49, B50	R74-8100-RH	G180
M48-0143	G179	P63-1012	G176	Q77-1260	B64	R42-2840	B51	R74-8101-LH	G180
M48-0144	G179	P68-1010	G178	Q77-1260	J226	R42-2841	B49	R74-9000-RH	G180
M48-0154	G179	P70-1010	G178	Q80-4000	J235	R42-2842	B49	R74-9001-LH	G180
M74-2078	G181	P73-1000	G176	Q80-6000	J235	R42-2842-BB	B49	R75-6661	G181
M74-3078	G181	P73-2000	G176	Q84-1075	J235	R42-2842-BR	B49	R75-6662	G181
M75-1002	G180	P75-1000-Q	G171	Q84-3200	A28	R42-2843	I223	R76-1000	G181
M75-5003	G180	P75-5000	G171	Q84-3200	J235	R42-2844	B50	R88-1000	B65
M80-2500	G178	P80-3000	G174	Q84-4250	A30	R42-2855	B50	R90-1002	B64
M90-0310	A29, J226	P80-3020	G174	Q84-4250	J235	R42-2871	B48	R99-1200	B59
M90-0312	A29, J226	P80-3030	G174	Q84-5075	J235	R42-2872	B48	RIGID RAIL PANEL	
M90-0314	A29, J226	P88-1010	G178	Q85-1010	J225	R42-2873	B48	FASTENERS	C96
M90-0318	J226	P90-1000	G177	Q85-1012	J225	R42-2880	B48	S10-0014	G187
M90-1010	A29, C98, J226	P90-2000	G177	Q85-2004	H216	R42-2881	B48	S10-0018	G187
		P90-2000-C	G177	Q85-2004	J225	R42-2882	B48	S10-0020	G187
		P90-5000	G177	Q85-2016	H216	R42-2883	B48	S10-0022	G187
		P90-5000-C	G177	Q85-2016	J225	R42-2890-C	B48	S10-0024	G187
M90-1014	A29, J226	P91-5000	G177	Q85-5225	J235	R42-2890-K	B48	S10-0026	G187
M90-1016	A29, J226	P99-100SL-01	B59	Q85-7000	H216	R42-2891	B48	S10-Y001	G187, G199
M90-1018	A29, J226	Q20-2081	G195	Q85-7000	J225	R42-2892	B48	S15-1016	G189
M90-5012	A29, J226	Q20-2095	G195	Q85-7500	H216	R42-2893	B48	S15-1020	G189
M92-1010	J236	Q21-5003	G195	Q85-7500	J225	R42-X003	B54	S15-1022	G189
M92-1012	J236	Q21-5017	G195	Q85-8000	H216	R42-X004	B54	S25-0014	G188
MCD 116	A18	Q24-0220	G195	Q85-8000	J225	R42-X008	B54	S25-0016	G188
MCD 116-1.5	A18	Q24-0225	G195	Q85-8500	H216	R42-X020	B54	S25-0018	G188
MCD 120	A18	Q24-0230	G195	Q85-8500	J225	R42-X021	B54	S25-0020	G188
MCD 123	A18	Q24-0320	G195	Q86-0001	A30	R42-X038	B54	S25-0022	G188
MCD 126	A18	Q24-0420	B64	Q86-0010	A30	R42-X103	B54	S25-0024	G188
MCD 128	A18	Q24-0420	G195	Q86-0015	A30	R45-1010	B52	S25-0026	G188
MCD 133	A18	Q24-0520	B64	Q86-1000	A30	R45-X003	B54	S25-0028	G188
MCD 136	A18	Q24-0520	G195	Q86-1250	A30	R45-X004	B54	S25-2014	G188
MCD 139	A18	Q26-3062	G195	Q86-1500	A30	R50-2850	B52	S25-2016	G188
MK-1600-E	J232	Q26-4071	G195	Q86-1625	A30	R50-2850-NL	B52	S25-2020	G188
MK-1800-E	J232	Q26-4072	G195	Q86-2000	A30	R50-2850-SPO	B52	S25-2022	G188
MK-3320-E	J232	Q31-1024	J227	Q90-2126	J231	R50-2850-SS	B52	S25-2028	G188
P10-0370	G183	Q31-1420	J227	Q91-3503	J231	R50-2851	B52	S26-0014	G187
P11-0480	G183	Q32-1024	J227	Q91-3505	J231	R50-X003	B54	S26-0016	G187
P20-0490	G183	Q32-1420	J227	Q99-1000	A30	R50-X003-SS	B54	S26-0018	G187
P22-0006	G183	Q33-1024	J227	Q99-1000	B64	R50-X004	B54	S26-0020	G187
P30-0802	B42, B44, B45, G182	Q33-2024	J227	Q99-1000	C98	R50-X004-A	B54	S26-0022	G187
		Q34-1024	J227	Q99-1000	J226	R50-X004-C	B54	S26-0026	G187
P30-1000	G182	Q34-2024	J227	QBC-0716	J228	R50-X004-SS	B54	S26-Y001	G187, G199
P30-4750	G182	Q36-0001	J228	QBC-1024	J228	R50-X004-SSA	B54	S30-1018	G190
P30-4751	G182	Q36-0028	J228	QIC-1024	J228	R50-X005	B54	S30-1020	G190
P30-4752	G182	Q36-1010	J227	QIC-1420	J228	R50-X005-SS	B54	S30-1022	G190
P30-4760	G182	Q36-1012	J227	QOR-0716	J228	R51-2000	B52	S30-1024	G190
P30-4761	G182	Q36-1013	J227	QOR-1024	J228	R51-2000-CS	B52	S30-2018	G190
P30-4762	G182	Q36-1014	J227	QOR-1420	J228	R51-2000-RS	B52	S30-2020	G190
P30-4770	G182	Q36-1018	J227	QTC-0716	J228	R55-1010	C85	S30-2022	G190
P30-4771	G182	Q36-1110	J227	QTC-1024	J228	R55-1020	C85	S30-2024	G190
P30-4772	G182	Q36-1112	J227	QTC-1420	J228	R56-1010	B55	S30-3018	G190
P30-4780	G182	Q36-1113	J227	R20-1010	B51	R56-5010	B55, B56	S30-3020	G190
P40-1010	B41	Q36-1114	J227	R20-1020	B51	R56-5011	B55, B56	S30-3022	G190
P40-1010	G174	Q36-1116	J227	R24-9175	B44	R56-5016	B56	S30-3024	G190
P44-1010	G175	Q36-1310	J227	R24-9175-C	B44	R56-5017	B55, B56	S30-Y001	G190
P45-3000	G175	Q36-1312	J227	R24-9175-X	B44	R56-6010	B55, B56	S30-Y002	G190
P45-3500	G175	Q36-1314	J227	R24-9175-XC	B44	R56-6011	B56	S35-1016	G189
P45-4010	G175	Q36-1316	J227	R24-Y001	B44	R56-7010	B57	S35-1018	G189
P46-1010	G175	Q36-1410	J227	R25-1700-C	B45	R56-7011	B55, B57	S35-1020	G189
P46-1012	G175	Q36-1412	J227	R25-1700-NC	B45	R56-7014	B57	S35-1022	G189
P47-1012	G174	Q36-1414	J227	R25-1700-XC	B45	R56-7015	B57	S35-1024	G189

# Alphanumeric Index

MODEL NO.	PAGE NO.	MODEL NO.	PAGE NO.	MODEL NO.	PAGE NO.	MODEL NO.	PAGE NO.	MODEL NO.	PAGE NO.
S35-1026	G189	T22-1042	B63	W27-5204	C95	W58-3037	C83	W60-1187	C80
S52-0020	G186	T22-1048	B63	W27-5304	C95	W58-3112	C83	W60-1200	C80
S52-0022	G186	T22-1060	B63	W27-5306	C95	W58-3125	C83	W60-2000	C80
S52-0024	G186	T22-1072	B63	W27-5501	C97	W58-3137	C83	W60-2025	C80
S52-0026	G186	T22-1144	B63	W27-5502	C97	W58-3150	C83	W60-2112	C80
S52-2020	G186	T23-0024	B63	W27-5550	C97	W58-3162	C83	W60-2137	C80
S52-2022	G186	T23-0036	B63	W27-5562	C97	W58-3175	C83	W61-1000	C82
S52-2024	G186	T23-0042	B63	W27-5568	C97	W58-3187	C83	W61-1012	C82
S52-2026	G186	T23-0048	B63	W27-5575	C97	W58-3200	C83	W61-1025	C82
S52-X001	G186, G199	T23-0060	B63	W27-5581	C97	W58-4000	C83	W61-1037	C82
S52-X101	G186, G199	T23-0072	B63	W27-5600A	C97	W58-4012	C83	W61-1112	C82
S80-1520	G191	T23-0144	B63	W27-5600B	C97	W58-4025	C83	W61-1125	C82
S80-2020	G191	T23-1024	B63	W27-7300	C93	W58-4037	C83	W61-1137	C82
S81-1520-C	G191	T23-1036	B63	W27-7400	C93	W58-4112	C83	W61-1150	C82
S81-2020-C	G191	T23-1042	B63	W27-8800TT-SP	C93	W58-4125	C83	W61-1162	C82
S82-1220	I223	T23-1048	B63	W27-8800TT-SS	C93	W58-4137	C83	W61-1175	C82
S82-1220-DR	I223	T23-1060	B63	W27-8801-SP	C93	W58-4150	C83	W61-1187	C82
S82-1220-DRA	I223	T23-1072	B63	W27-8801-SS	C93	W58-4162	C83	W61-1200	C82
S82-1220-SPSS	I223	T23-1144	B63	W27-8803	C93	W58-4175	C83	W61-2000	C82
S90-0015	G192	T30-5030	B63	W27-8804	C93	W58-4187	C83	W61-2012	C82
S90-0015-C-N	G192	T30-5031	B63	W28-1000	C76, C79	W58-4200	C83	W61-2025	C82
S90-0015-N	G192	T30-5032	B63	W28-1200	C76	W59-1000	C84	W61-2037	C82
S90-0020	G192	T30-5050	B63	W28-2300-SSX	C75, C79	W59-1012	C84	W61-2112	C82
S90-0020-C-N	G192	T30-5051	B63	W28-2325X	C75	W59-1025	C84	W61-2125	C82
S90-0020-N	G192	T30-5055	B63	W28-2400-SSX	C75	W59-1037	C84	W61-2137	C82
S90-X032	G192	T30-5130	B63	W28-2400X	C75	W59-1112	C84	W61-2150	C82
S90-X033	G192	T30-5130-TAB	B63	W28-2600X	C75	W59-1125	C84	W61-2162	C82
S95-1000	G193	T30-5131	B63	W28-2605	C75	W59-1137	C84	W61-2175	C82
S95-Y001	G193	T30-9901-UT	B63	W28-2800X	C75	W59-1150	C84	W61-2187	C82
S95-Y001-KEY	G194	T32-5020	B63	W28-3400X	C75	W59-1162	C84	W61-2200	C82
S95-Y002	G193	T34-1010	B63	W28-3800X	C75	W59-1175	C84	W61-3000	C82
S95-Y002-KEY	G194	T42-3330	B67	W29-1000X	C72	W59-1187	C84	W61-3012	C82
SE90-0015	G192	T50-4501	B69	W29-2000	C72	W59-1200	C84	W61-3025	C82
SE90-0015-C-N	G192	T50-4502	B69	W29-5000-4X	C76	W59-2000	C84	W61-3037	C82
SE90-0015-N	G192	T50-4503	B69	W30-1000-L	C72	W59-2012	C84	W61-3112	C82
SE90-0020	G192	T50-4504	B69	W30-2000-L	C72	W59-2025	C84	W61-3125	C82
SE90-0020-C-N	G192	T50-4505	B69	W31-1000X	C72	W59-2037	C84	W61-3137	C82
SE90-0020-N	G192	T50-5501	B69	W37-3000-SS	C79, G180	W59-2112	C84	W61-3150	C82
SG-101	G171	T50-5502	B69	W38-1000	C74	W59-2125	C84	W61-3162	C82
SG55-1000	J236	T50-5503	B69	W38-1000-C	C74, C79	W59-2137	C84	W61-3175	C82
SLAB FOAM PANEL		T50-5504	B69	W38-1000-C-GE	C79	W59-2150	C84	W61-3187	C82
FASTENERS	C94	T50-5505	B69	W38-1000-C-SN	C74	W59-2162	C84	W61-3200	C82
T10-3351	B60	T54-0937	B67	W38-1000-SN	C74	W59-2175	C84	W61-4000	C82
T12-0370	B60	T54-1500	B67	W38-1500	C74	W59-2187	C84	W61-4012	C82
T12-0370-P	B61	T54-1750	B67	W38-1500-C	C74	W59-2200	C84	W61-4025	C82
T12-0372	B60	T54-2000	B67	W38-1500-C-SN	C74	W59-3000	C84	W61-4037	C82
T12-0372-CE	B60	T54-2250	B67	W38-1500-SN	C74	W59-3012	C84	W61-4112	C82
T12-0372-CE48	B60	T54-2750	B67	W38-1600LSSGE	C79	W59-3025	C84	W61-4125	C82
T12-0372-CE84	B60	T54-3000	B67	W38-2000	C74	W59-3037	C84	W61-4137	C82
T12-0372-P	B61	T55-0598	B67	W38-2000-C	C74	W59-3112	C84	W61-4150	C82
T12-3390	B60	T55-20-010	B67	W38-4216LSSGE	C79	W59-3125	C84	W61-4162	C82
T12-5000	B60	T55-20-011	B67	W38-6000-C-GE	C79	W59-3137	C84	W61-4175	C82
T12-5000-CSA	B60	T55-20-053	B67	W50-1000	C73	W59-3150	C84	W61-4187	C82
T12-5000-P	B61	T80-0485	H214	W55-0001	C85	W59-3162	C84	W61-4200	C82
T12-5200	B60	T90-330	B62, C88	W55-1000	C85	W59-3175	C84	W62-0001	C81
T12-5200-CE	B60	T90-6142	B62, C89	W56-1000	C85	W59-3187	C84	W62-2001	C81
T12-5200-CE48	B60	T90-6812	B62, C89	W58-1000	C83	W59-3200	C84	W77-1375	C81
T12-5200-CE84	B60	VXS-100-GL	D107	W58-1012	C83	W59-4000	C84	W88-1010	C90
T12-5200-CSA	B60	VXS-100-GL-WG	D107	W58-1025	C83	W59-4012	C84	W88-1012	C90
T12-5200-P	B61	VXS-100-PC	D107	W58-1037	C83	W59-4025	C84	W88-2010	C90
T21-0024	B63	VXS-100-PX	D107	W58-1112	C83	W59-4037	C84	W91-1414-HGHF	C90
T21-0036	B63	VXS-100-PX-WG	D107	W58-1125	C83	W59-4112	C84	W91-14143-UGUF	C90
T21-0042	B63	VXS-CSA-GL	D107	W58-1137	C83	W59-4125	C84	W91-1424-HGHF	C90
T21-0048	B63	VXS-CSA-GL-WG	D107	W58-1150	C83	W59-4137	C84	W91-14243-UGUF	C90
T21-0060	B63	VXS-CSA-PC	D107	W58-1162	C83	W59-4150	C84	W94-1010	C86
T21-0072	B63	VXS-CSA-PX	D107	W58-1175	C83	W59-4162	C84	W94-1020	C86
T21-0144	B63	VXS-CSA-PX-WG	D107	W58-1187	C83	W59-4175	C84	W94-2010	C86
T21-1024	B63	VXS-LED-PC20C	D100	W58-1200	C83	W59-4187	C84	W94-2020	C86
T21-1036	B63	VXS-LED-PC20W	D100	W58-2000	C83	W59-4200	C84	W95-1010	C87
T21-1042	B63	VXS-LEDN10PC	D101	W58-2012	C83	W60-1000	C80	W95-1020	C87
T21-1048	B63	W19-1000	C73	W58-2025	C83	W60-1000-S	C80	W95-1030	C87
T21-1060	B63	W19-1000-C-SN	C73	W58-2037	C83	W60-1012	C80	W95-2010	C87
T21-1072	B63	W19-1000-SN	C73	W58-2112	C83	W60-1012-S	C80	W95-2020	C87
T21-1144	B63	W19-10S00-C	C73	W58-2125	C83	W60-1025	C80	W95-2030	C87
T22-0024	B63	W19-1500	C73	W58-2137	C83	W60-1025-S	C80	W99-0100-H	C79
T22-0036	B63	W19-1500-C	C73	W58-2150	C83	W60-1037-S	C80	W99-0100-L	C79
T22-0042	B63	W19-2000	C73	W58-2162	C83	W60-1037	C80	W99-2001	C79
T22-0048	B63	W19-2000-C	C73	W58-2175	C83	W60-1112	C80	W99-2001-GE	C79
T22-0060	B63	W27-0001-C	C98	W58-2187	C83	W60-1125	C80	W99-2063	C79
T22-0072	B63	W27-0001-CTS	C98	W58-2200	C83	W60-1137	C80	W99-2063-GE	C79
T22-0144	B63	W27-0002-C	C98	W58-3000	C83	W60-1150	C80	W99-3800-SS	C78
T22-1024	B63	W27-1173H	C93	W58-3012	C83	W60-1162	C80	W99-3800-SS-C	C78
T22-1036	B63	W27-5202	C95	W58-3025	C83	W60-1175	C80	W99-3815-SS	C78

# Alphanumeric Index

MODEL NO.	PAGE NO.	MODEL NO.	PAGE NO.	MODEL NO.	PAGE NO.	MODEL NO.	PAGE NO.	MODEL NO.	PAGE NO.
W99-3815-SS-C	C78								
W99-3820-SS	C78								
W99-4100-SSLH	C77								
W99-4100-SSRH	C77								
W99-6015-SS	C77								
WS1224SS	H211								
WS1224SS-PR	H211								
WS1236SS	H211								
WS1236SS-PR	H211								
WS1248SS	H211								
WS1248SS-PR	H211								
WS1260SS	H211								
WS1260SS-PR	H211								
WS1272SS	H211								
WS1272SS-PR	H211								

# Terms & Conditions

**Terms of Payment** - NET 30 days subject to satisfactory credit arrangements. (No shipments will be made to accounts which are in arrears.)

**No Minimum Charge**

**Deliveries** - Component Hardware® is not responsible for delays in deliveries due to circumstances beyond our control such as fires, strikes, transportation delays, material shortages, accidents or other contingencies of similar nature.

**Returned Merchandise** - No returned goods will be accepted without permission. A Returned Goods Authorization number is required prior to return, which can be obtained by calling Component Hardware at 800-526-3694. All returns must have the RGA Number posted on the exterior of all associated cartons.

No item will be accepted for return six months after invoice date. Freight charges for returned goods must be prepaid. All returned goods are subject to a 25% restocking charge and must be in complete and resalable condition. Items made to customers' specifications or specially ordered goods are not returnable.

**Shortages** - Any claims for shortage must be made immediately upon receipt of merchandise. Shortage claims will be invalid unless Component Hardware is notified in writing within 30 days of invoice date.

**Special Products** - If orders for items that are special (non-catalog) are cancelled, Component Hardware shall be reimbursed for any expense incurred in the purchase of raw or finished material and further processing thereof.

**Product Changes** - Although all items will be furnished as described unless otherwise indicated. However, we reserve the right to alter, modify, or redesign products without creating any liability for the obsolescence of customer inventories.

**Taxes** - Any federal, state or city taxes applicable will be added to prices shown. Clerical and printing errors and omissions are subject to correction. No representative, dealer, distributor or any other person is authorized or permitted to obligate this corporation to any liability, not strictly in accordance with the above policies.

## LIMITED WARRANTY

PLEASE READ THIS LIMITED WARRANTY BEFORE INSTALLING OR USING ANY COMPONENT HARDWARE PRODUCT. IF THESE TERMS ARE NOT ACCEPTABLE TO YOU, IMMEDIATELY RETURN THE PRODUCT TO COMPONENT HARDWARE GROUP, INC. BEFORE INSTALLATION OR USE.

Component Hardware Group Inc. warrants that its hardware products will remain free from defects in material and workmanship for 90 days from the user's date of purchase. Liability under this limited warranty is restricted to credit, repair or replacement of the product or part found to be defective. Component Hardware shall not be responsible for labor costs or any other damages, either direct or consequential. Component Hardware products or parts which have been altered in any manner after purchase are excluded from this limited warranty.

Replacement or repair of a product or part under this limited warranty will be made within a reasonable time after Component Hardware is notified of the alleged defect or, if Component Hardware desires to inspect the allegedly defective product or part, within a reasonable time after that inspection.

No defective product or part should be shipped to Component Hardware without written authorization obtained from it in advance. Claims for unauthorized shipping expenses will not be honored. At Component Hardware's option, it may request return of the allegedly defective product or part for inspection. Permitted returns of allegedly defective products or parts under this limited warranty shall be delivered to Component Hardware Group, Inc., 1890 Swarthmore Avenue, Lakewood, NJ 08701. Please mark carton Attn: Warranty Department and include the Returned Goods Authorization number.

Component Hardware does not assume responsibility for any damage incurred as a result of shipping. Those claims must be filed with the shipper.

This warranty does not apply in states or provinces which do not permit restrictions on the length of warranty or on the exclusion of direct or consequential damages.

ANY WARRANTIES, REPRESENTATIONS OR STATEMENTS BY AN AGENT OF COMPONENT HARDWARE THAT DIFFER IN ANY WAY FROM THE TERMS OF THIS WRITTEN AGREEMENT SHALL HAVE, AND SHALL BE GIVEN, NO FORCE OR EFFECT.

THIS LIMITED WARRANTY IS GIVEN EXPRESSLY AND IN LIEU OF ALL OTHER WARRANTIES, EXPRESS OR IMPLIED, OF MERCHANTABILITY, FITNESS FOR PARTICULAR PURPOSE, OR OTHERWISE, AND CONSTITUTES THE ONLY WARRANTY MADE BY COMPONENT HARDWARE.





© Copyright 2021, Component Hardware Group, Inc. CAT-X020 Rev. 09/2021

All photographs and illustrations are considered to be a representation of the actual item. In some cases there may be slight variations.  
This catalog, copy, part numbers and unique method of illustrating products is copyrighted by Component Hardware.  
All rights reserved. No portion of this catalog may be reproduced in any form or by any means in whole or in part, without the written consent of Component Hardware. Component Hardware reserves the right to make any and all changes and to discontinue any of its products without notice. Not responsible for typographical errors.

# Worldwide Availability:

## NORTH AMERICA

**COMPONENT HARDWARE NORTHEAST**  
Phone: +1 800-526-3694

**COMPONENT HARDWARE SOUTHWEST**  
Phone: +1 877-476-3700

**COMPONENT HARDWARE WEST**  
Phone: +1 800-227-3855

**COMPONENT HARDWARE - CANADA**  
Phone: +1 905-415-2280



## EUROPE

**CHG EUROPE B.V.**  
Phone: +31-(0)76 596 86 99



## ASIA

**CHG KEIL TRADING**  
Phone: +86-21-6440-1211



## Your Global Partner for Innovative Solutions



90 Matawan Rd, Matawan, NJ 07747  
800-526-3694



150 Shields Court, Markham Ontario, L3R 9T5  
800-513-3078



Hazeldonk 6475, 4836 LH Breda, The Netherlands  
+31 (0)76-596 8699

[www.componenthardware.com](http://www.componenthardware.com)



**COMPONENT**  
**HARDWARE®**