

Encore[®]

**PREMIUM
PLUMBING
PRODUCTS**

800-526-3694 | www.componenthardware.com



Select Encore® and TOP-LINE® products in this catalog comply with ASME 112.18.1-2005 and CSA B125.1-05 and may be certified to one or more of the following standards:



RoHS

For more information visit our website at www.encoreplumbing.com
(Specification sheets, drawings, SDS, pricing and much more.)

Component Hardware Group is a proud member of the following organizations:



Encore® Brand Faucets
Feature 1/4 Turn Full-On Valves



ABOUT US

- Innovative manufacturer of specialty components and customized solutions since 1981
- Market leader with extensive engineering, global manufacturing and distribution capabilities
- Serving the foodservice, healthcare, hospitality, commercial and institutional markets
- Offering a wide array of commercial plumbing products, kitchen exhaust system components, fabrication hardware and refrigeration hardware
- Providing the industry's best casting, forging, stamping, machining, injection molding, extruding, fabrication and custom sub-assembly solutions

WHY YOU SHOULD CHOOSE US

- **A trusted and valued supply partner**, solving our customers' problems - saving them time, money, and headaches
- **Global Supply Chain** ensures on-time delivery of quality products wherever you may need them to keep your production lines running smoothly and efficiently
- Our meticulous **Quality Assurance team** insures our products meet or exceed all market standards and regulatory requirements
- Ability to **cost-effectively engineer** and build specialty or proprietary component and subassembly solutions on projects of all sizes
- **Global engineering and manufacturing capabilities**, including machining, metal forming, forging, stamping, die and sand casting, plastic injection molding, extruding, fabrication and subassembly operations allow for complete design and customization flexibility
- **Comprehensive product catalog** of over 9,000 items including specialty and customer-proprietary items
- Our **virtual manufacturing model** permits us to own our product designs and tooling without incurring the prohibitive expenses of owning the physical production facilities

WHERE TO FIND US

- Headquartered in Lakewood, NJ, USA with warehouses and sales offices located throughout the United States, Canada, Asia and Europe
- International distribution network ensures timely delivery of quality products to virtually any location in the world
- Follow us on LinkedIn, Facebook, Instagram and Twitter
- For further information, please visit our web site at: www.componenthardware.com



Lakewood, New Jersey



Fullerton, California



Dallas, Texas



Markham, Ontario



Breda, Netherlands

TABLE OF CONTENTS

ABOUT US 1

TABLE OF CONTENTS 2-3

TOP SELLING ENCORE® PLUMBING B-E

INTRODUCTION TO ENCORE® PLUMBING 4-14

Drain Master DSS Series Overview	11
Intelli-Flo™ Electronic Faucet Overview	12
Faucets and Pre-Rinse Assemblies	6-7
Fan Spray and Pot & Kettle Filler	8
PowerPulse™ Pre-Rinse Spray Head	9
Product Overview	4
Retail Displays and Packaging	12
Retail Packaged Aftermarket Service Parts	13
What is LEED® ?	5
What is SANIGUARD® ?	14
Wok Faucet	8

PRE-RINSE ASSEMBLIES 15-45

Commercial Pre-Rinses	38-45
QUIK-FIL™ Heavy Duty 3/4" Inlet Pre-Rinse	21
Standard Pre-Rinses	15-20, 22-32
Swivel Arm Pre-Rinses	33-37

ACCESSORIES FOR PRE-RINSES, UTILITY SPRAYS AND POT FILLERS 46-53

UTILITY SPRAYS 54-65

POT FILLERS 66-74

FAUCETS 75-141

Deck Mount Double Pantry	82-87
Deck Mount Elevated Bridge	95-105
Deck Mount Medical Lavatory	107-122
Deck Mount Pot Sink	106
Deck Mount Single Hole	75-76
Deck Mount Single Pantry	77-81
Deck Mount Workboard	88-94
Splash Mount 8" O.C.	132-133
Splash Mount Medical Lavatory	123-124
Splash Mount Pot Sink	135
Splash Mount Single Pantry	125-128
Splash Mount Wok Range	129-131
Splash Mount Workboard	136-141

ELECTRONIC 142-146

Deck Mount Faucets	144-145
Integral Outlet Sink	146
Overview	142
Splash Mount Faucets	143

SERVICE SINK 147-159

Flushing Rim Service Sink Faucets	158-159
Splash Mount Service Sink Faucets	147-157

LABORATORY 160-161

Double Pantry Deck Mount Faucets	160
Widespread Deck Mount Faucets	161

VETERINARY 162-164

Deck Mount Faucets	162
Splash Mount Faucets	163-164

SPECIALTY 165-172

AutoFlusher	165
Bed Pan Cleaners	171
Dipperwell Faucet	166
Foot Valves	168-169
Grab Bars	172
Inlet Fittings	165
Knee Valves	170
Soap Dispensers	167
Vacuum Breakers	165
Water Station	166

DRAINS 173-185

Accessories For Drains	179-185
Box Pattern	177
Drain Master™ - DSS-8000-X Series	173
Lever Handle	175, 177
Quik Flo™ - DBN-8000-X Series	174
Special Purpose	178
Twist Handle	176-177

TOP-LINE® 186-200

Deck Mount Faucets	190-195, 197
Deck Mount Pre-Rinses	186-188
Drains	199-200
Splash Mount Faucets	196-198
Splash Mount Pre-Rinses	189

SINK BOWLS 201-206

Bar Type	201
Drawn Type	202-203
Drop-In Type	201
Fabricated Stainless Steel	204-205
Pre-Rinse Sink Assemblies	206

HOSE REELS 207-221

Closed	208-212, 217-221
Open	207, 213-216

REPLACEMENT PARTS 222-249

Adapters	224-225
Aerators	222-223
Cartridges	226
Electronic	242
Faucet Bodies	230-231
Handles and Repair Kits	228
Hose Reels	243-244
Miscellaneous	237-238
Pre-Rinse	232-236
Quik-Fil™	240
Retrofit	228
SaniShower®	241
Service Sink	239
Specialty	245-247
Spouts	229
TOP-LINE®	248-249

EUROPEAN / INTERNATIONAL MODELS 250-275

Accessories and Replacement Parts	275
Faucets, Double Pantry	260-263
Faucets, Pillar Faucets	259, 264
Faucets, Single Pantry	265-267
Overflow Tubes	275
Pre-Rinses	250-258
Sink Bowls	272-274
TOP-LINE®	268-271

SERVICE PARTS BREAKDOWNS 276-362

DBN-8000-X/DSS-8000-X	277
D55-7510-R	278
K25-1000/KL25-1000	279
K25-3000	280
KN26-5000	281
K27-1000/KL27-1000	282
K30-1000	283
KHR-5635	284
KN33-9000/KL33-9000	285
KN34-1000/KL34-1000	286
KN34-8000/KL34-8000	287
KN41-4000/KL41-4000	288-289
KN41-8000/KL41-8000	290-291
KN43-4050	292
KN45-4000/KL45-4000	293-294
KN45-8000/KL45-8000	295-296
KN50-1000/KL50-1000	297
KN50-2000/KL50-2000	298
KN50-3000/KL50-3000	299
KN50-5000/KL50-5000	300
KN51-9000/KL51-9000	301-302
KN52-9000/KL52-9000	303
KN53-1000/KL53-1000	304
KN53-2000/KL53-2000	305
KN53-3000/KL53-3000	306
KN53-5000/KL53-5000	307
KN54-8000/KL54-8000	308-309
KN55-7000/KL55-7000	310
KN56-1000/KL56-1000	311
KN56-2000/KL56-2000	312
KN56-3000/KL56-3000	313
KN56-5000/KL56-5000	314
KN57-4000/KL57-4000	315-316
KN58-4000/KL58-4000	317
KN60-1000/KL60-1000	318
KN60-2000/KL60-2000	319
KN60-3000/KL60-3000	320
KN60-5000/KL60-5000	321
KN61-8000/KL61-8000	322-323
KN62-8000/KL62-8000	324
KN63-1000/KL63-1000	325
KN63-2000/KL63-2000	326
KN63-3000/KL63-3000	327
KN64-9000/KL64-9000	328-329
KN65-9000/KL65-9000	330
KN66-1000/KL66-1000	331
KN66-2000/KL66-2000	332
KN66-3000/KL66-3000	333
KN66-5000/KL66-5000	334
KN67-6000/KL67-6000	335-336
KN69-1000/KL69-1000	337

KN69-2000/KL69-2000	338
KN69-3000/KL69-3000	339
KN70-9000/KL70-9000	340-341
KN71-1000/KL71-1000	342
KN71-2000/KL71-2000	343
KN71-3000/KL71-3000	344
KN72-9000/KL72-9000	345-346
KN73-1000/KL73-1000	347
KN73-2000/KL73-2000	348
KN73-3000/KL73-3000	349
KN74-9000/KL74-9000	350-351
KN76-9000/KL76-9000	352
K77-8002	353
K77-8006-BR	354
K77-8102	355
K77-8106-BR	356
KN83-4000/KL83-4000	357-358
KN84-8000/KL84-8000	359
KL84-8105-CE4	360
TLL13-1000/K13-1000	361
TLL15-4000	362

INDEX 363-377

TERMS AND CONDITIONS 378

TOP SELLING PRODUCTS



**SINGLE HOLE DECK MOUNT
PRE-RINSE WITH WALL BRACKET
AND POWERPULSE SPRAY HEAD**

Model No.	Description
KLP50-10L3-BR	0.74gpm
KLP50-10L4-BR	1.05gpm
KLP50-10L5-BR	1.22gpm



**WALL MOUNT, 8" (203mm)
ADJUSTABLE CENTERS PRE-RINSE WITH WALL
BRACKET AND POWERPULSE SPRAY HEAD**

Model No.	Description
KLP53-10L3-BR	0.74gpm
KLP53-10L4-BR	1.05gpm
KLP53-10L5-BR	1.22gpm



**WALL MOUNT, 8" (203mm)
ADJUSTABLE CENTERS MINI PRE-RINSE**

Model No.	Description
KL53-MINI-BR	With Wall Bracket and No Add-On Spout
KL53-MINI-AF1	With Wall Bracket and 6" Add-On Spout
KL53-MINI-AF2	With Wall Bracket and 8" Add-On Spout
KL53-MINI-AF3	With Wall Bracket and 10" Add-On Spout
KL53-MINI-AF4	With Wall Bracket and 12" Add-On Spout
KL53-MINI-AF5	With Wall Bracket and 14" Add-On Spout
KL53-MINI-AF6	With Wall Bracket and 16" Add-On Spout
KL53-MINI-AF7	With Wall Bracket and 18" Add-On Spout



POWERPULSE™ PRE-RINSE SPRAY VALVE

Model No.	Description
KLP50-0220-65	0.67gpm, With Grip
KLP50-0220-74	0.74gpm, With Grip
KLP50-0220105	1.05gpm, With Grip
KLP50-0220-12	1.22gpm, With Grip
KLP50-0220152	1.52gpm, With Grip
KLP50-Y002-65	0.67gpm, Without Grip
KLP50-Y002-74	0.74gpm, Without Grip
KLP50-Y002105	1.05gpm, Without Grip
KLP50-Y002-12	1.22gpm, Without Grip
KLP50-Y002152	1.52gpm, Without Grip



UNIVERSAL REPLACEMENT HOSES

Model No.	Description
KL50-Y004-44U	44" (1118mm)
KL50-Y004-60U	60" (1524mm)
KL50-Y004-72U	72" (1829mm)



ADD-ON FAUCET WITH SWING SPOUT

Model No.	Spout Length
KL55-7008-SE1Z	8" (203mm)
KL55-7010-SE1Z	10" (254mm)
KL55-7012-SE1Z	12" (305mm)
KL55-7014-SE1Z	14" (356mm)



8" WALL MOUNT FAUCET WITH TUBULAR SPOUT

Model No.	Spout Length	Valves
KL54-8006-SE1Z	6" (152mm)	Compression
KL54-8008-SE1Z	8" (203mm)	Compression
KL54-8010-SE1Z	10" (254mm)	Compression
KL54-8012-SE1Z	12" (305mm)	Compression
KL54-8014-SE1Z	14" (356mm)	Compression
KL54-Y001-Z	Body Only	Compression



8" (203mm) ELEVATED BRIDGE DECK MOUNT FAUCET WITH SWING SPOUT

Model No.	Spout Length	Valves
KL61-8006-SE1Z	6" (152mm)	Compression
KL61-8008-SE1Z	8" (203mm)	Compression
KL61-8010-SE1Z	10" (254mm)	Compression
KL61-8012-SE1Z	12" (305mm)	Compression
KL61-8014-SE1Z	14" (356mm)	Compression



4" (102mm) O.C. DECK MOUNT WORKBOARD FAUCETS

Model No.	Spout Length
KL41-4006-SE1Z	6" (152mm)
KL41-4008-SE1Z	8" (203mm)
KL41-4010-SE1Z	10" (254mm)
KL41-4012-SE1Z	12" (305mm)
KL41-4012-SE1Z	14" (356mm)
KL41-Y002-Z	Body Only



SPLASH MOUNT SERVICE SINK FAUCET WITH VACUUM BREAKER SPOUT

Model No.	Spout
K77-8106-BR	Threaded Cast



Intelli-Flo ELECTRONIC FAUCETS

Model No.	Mounting Type
KE19-1000-SC1	Wall Mount, Battery Powered, 3" Gooseneck Spout, 0.5 gpm PCA Spray Aerator
KE19-1000-SD1	Wall Mount, Battery Powered, 3" Gooseneck Spout, 1.5 gpm PCA Spray Aerator
KE19-1002-SC1	Wall Mount, Battery Powered, 6" Gooseneck Spout, 0.5 gpm PCA Spray Aerator
KE19-1100-SD1	Wall Mount, AC/DC Powered, 3" Gooseneck Spout, 1.5 gpm PCA Spray Aerator
KE19-1102-SD1	Wall Mount, AC/DC Powered, 6" Gooseneck Spout, 1.5 gpm PCA Spray Aerator



Intelli-Flo ELECTRONIC HAND SINK WITH THERMOSTATIC MIXING VALVE LESS SIDE SPLASH

Model No.	Power	Aerator
KE25-B031-CA1	Battery	0.5GPM PCA Spray, Vandal Resistant
KE25-B131-CA1	AC/DC*	0.5GPM PCA Spray, Vandal Resistant
KE25-B031-CB1	Battery	1.5GPM Laminar Flow, Antimicrobial and Vandal Resistant
KE25-B131-CB1	AC/DC*	1.5GPM Laminar Flow, Antimicrobial and Vandal Resistant

*Includes 9V 800 mA UL listed adapter, US plug.



Intelli-Flo ELECTRONIC HAND SINK WITH THERMOSTATIC MIXING VALVE AND SIDE SPLASH

Model No.	Power	Aerator
KE28-B031-CA1	Battery	0.5GPM PCA Spray, Vandal Resistant
KE28-B131-CA1	AC/DC*	0.5GPM PCA Spray, Vandal Resistant
KE28-B031-CB1	Battery	1.5GPM Laminar Flow, Antimicrobial and Vandal Resistant
KE28-B131-CB1	AC/DC*	1.5GPM Laminar Flow, Antimicrobial and Vandal Resistant

*Includes 9V 800 mA UL listed adapter, US plug.



STAINLESS STEEL WALL MOUNTED HANDSINK WITH SIDE SPLASH AND SPLASH MOUNT FAUCET

Model	Faucet
FS17D141005K3	TLL15-4000SE1
FS17D-14105H1	KHS15-4000



STAINLESS STEEL WALL MOUNTED HANDSINK WITH SPLASH MOUNT FAUCET AND MINI BASKET DRAIN

Model	Faucet
FS20-101405K5	TLL15-4000SE1
FS20-101405H1	KHS15-4000



STAINLESS STEEL WALL MOUNTED HANDSINK WITH SIDE SPLASH AND SPLASH MOUNT FAUCET

Model	Description
FS17D-10145AK1	Double Pedal



LEVER HANDLE WASTE OUTLETS

Model No.	Drain Type	Sink Opening Dia.	NPS*	Face Flange Dia.	Strainer Type
D10-7400	Capped Overflow	3-1/2" (89mm)	2"	4-1/2" (114mm)	Flat



COMPLETE WATER STATION WITH GLASS FILLER

Model No.	Size
K27-1000	8" (203mm) Riser
K27-2000	12" (305mm) Riser



TWIST HANDLE WASTE OUTLETS

Model No.	Drain Type	Sink Opening Dia.	NPS*	Face Flange Dia.	Strainer Type
D50-7200	Capped Overflow	3-1/2" (89mm)	2"	4-1/2" (114mm)	Flat



DUAL PEDAL FOOT VALVE

Model No.
KL25-1000-Z

“PLUMBING THAT WORKS!”™

Encore®

Excellence in engineering...

inside and out.

Encore®, Component Hardware's heavy-duty plumbing line has been the choice of industrial, institutional and food service customers since its introduction.

Encore has continually earned the highest marks while becoming the most durable, versatile line of plumbing products available anywhere.

This outstanding record of accomplishment reflects generations of trade experience and know-how that are integral components of the design and manufacture of this unique plumbing line.

Component Hardware is committed to ensuring **Encore's** continued acceptance and success through aggressive product improvement, innovation, and quality.

NSF LISTED

All Component Hardware Faucets and Pre-Rinse Assemblies are certified by NSF International and meet the Federal Reduction of Lead in Drinking Water Act.

QUALITY CRAFTSMANSHIP

Encore Faucets and Pre-Rinse Assemblies are individually and completely pressure tested to ensure customer satisfaction. Component Hardware offers a Three Year Warranty on all **Encore** Premium pre-rinse and electronic faucets. We offer a Two Year Warranty on all other **Encore** products, with the exception of our commercial hoses, which carry a One Year Warranty. All TOP-LINE products carry a One Year Warranty.

DESIGN INNOVATION - ideal for customizing

The stylish and contemporary **Encore** Pre-Rinse Assemblies and Faucets have been designed to stand up to the most rigorous industry use. One of the most important features of the **Encore** line is its ability to mix and match components in virtually any combination to meet even the most unique design specification or requirement.

AVAILABLE FROM STOCK

Component Hardware is committed to maintaining an inventory of **Encore** plumbing products to ensure immediate shipment of these items from stock.

WIDE ARRAY OF MODELS AND ACCESSORIES

Encore Pre-Rinse Assemblies are available in both wall and deck mount models with a variety of optional accessories. We invite you to explore our complete plumbing catalog.

NATIONAL & REGIONAL DEALER NETWORK

New and replacement parts are readily accessible and are interchangeable with other major plumbing manufacturers.



Generations of trade experience and know-how... exclusively

Encore®



What is LEED®?



As conservation and sustainability become more and more important to the construction and renovation industries, we at Component Hardware keep getting questions about the Leadership in Energy and Environmental Design (LEED) Green Building Rating System™. Since we share a similar vision of the power of conservation, it's important that you know the facts about LEED.

What is LEED?

The LEED Green Building Rating System™ is a national standard developed by the U.S. Green Building Council (USGBC). LEED is a nationally recognized benchmark for the design, construction and operation of high performance green buildings. LEED also provides building owners and operators with the tools they need to have an immediate and measurable impact on their buildings' performance. The LEED program provides consistent, credible standards for the design and maintenance of buildings that are healthy places for their occupants, energy and cost efficient, and built with sustainable materials.

Why is LEED important?

We live in a world where concerns about the environment and sustainable development are a necessary and growing consideration for everyone. Business and industry are paying attention to this trend because energy efficiency also affects overhead and profitability, as well as reflecting good citizen values. According to the USGBC, LEED-certified buildings cost less to operate and maintain, are healthier places to live and work in, conserve energy and water and reduce harmful greenhouse gas emissions (see www.usgbc.org for more information).

What is LEED certification?

LEED certification is a third-party validation of a building's green performance, and it demonstrates that building green can provide benefits without higher costs. LEED credits are awarded based on criteria in five categories of performance. Architects and building planners apply for this certification, and a building project must meet prerequisites to be registered. A project must also achieve a minimum number of points to earn a basic "Certified" level of LEED certification. The number of points the project earns determines the level of LEED certification (Certified, Silver, Gold or Platinum).

Can products be LEED certified?

The USGBC does not endorse, promote or certify the products or services of any company. However, individual manufacturers' products can contribute credits under the LEED rating system. Many Component Hardware products can help contribute to three of the five categories of performance – Water-Efficiency, Innovation in Design and Materials and Resources. Component Hardware has long been interested in the relationship between the environment and how our products are engineered as evidenced by our 1.2 gpm low flow spray valves, stainless steel and low lead plumbing fixtures and more. Our electronic sensor faucets have long offered quality plumbing and reduced water consumption. Many of our water-efficient faucets, fittings and pre-rinse units have been on the market for over a decade.

Component Hardware is an industry leader in water conservation

Water is our most precious resource, which is the reason we constantly strive to reduce the water consumption of our Encore® and TOP-LINE® plumbing fixtures without sacrificing performance. Component Hardware has partnered with the Environmental Protection Agency (EPA) WaterSense® program and the U. S. Green Building Council (USGBC) to ensure that its products meet the latest water efficiency and health safety standards. Listed below are just a few of the newest additions to our line of environmentally friendly plumbing fixtures that can be found throughout this catalog. Just look for the CHG Go Green™ logo to identify these products.

Low Flow Spray Valves We have a broad line of **Encore** water-conserving pre-rinse spray valves that all meet the requirements of the Energy Policy Act of 2005. Spray valves available in flow rates of 1.6gpm, 1.2gpm and 0.65gpm. PowerPulse™ available in 0.45gpm, 0.67gpm, 0.74gpm and 1.05gpm. They provide superior cleaning performance while saving as much as 100,000 gallons of water per year.



Metering Faucets

With a metering faucet, you can control both the water's flow and duration, which will significantly reduce water consumption.

Electronic Faucets Using reliable motion sensor technology, our **Encore** electronic faucets will provide years of trouble-free performance while saving up to 70% of water consumption as compared to standard lavatory and hand sink faucets.



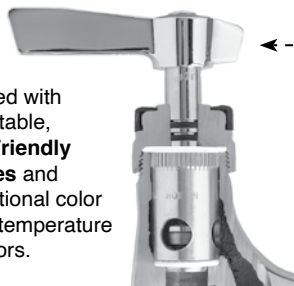
Aerators One of the easiest and most cost-effective ways to reduce water consumption is through the use of low flow aerators on all faucet spouts. You can dramatically reduce your daily water use by installing a .35gpm – 1.5gpm aerator on all hand sink and lavatory faucets.





Compare us to the Competition*

Provided with comfortable, **User-Friendly Handles** and international color coded temperature indicators.



Heavy gauge **Solid Stainless Steel Tubular Spout**
*Light gauge brass tubular spout



Stainless steel spout bushings with exclusive **High Temperature Resistant, Self-Lubricating O-Rings** and internal shoulder maximizes spout stability and prevents spout leakage.

*Single smaller diameter O-ring

Heavy-duty **Self-Centering Mounting Flanges** provide for fast, convenient installation.



Solid, Low Lead Brass Precision Cast Faucet Body is hydraulically pressure tested to ensure integrity and supplied with triple plated, highly polished nickel chromium finish.

*Light weight construction

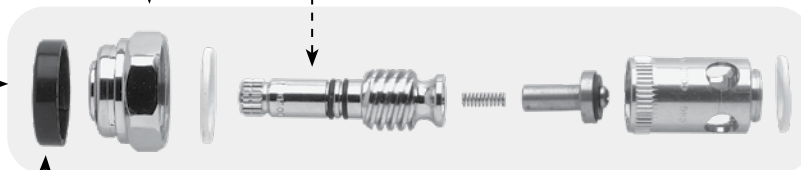
Encore Stem is Sealed with O-Rings

*Packing nut seal, subject to wear, requires adjustment

2.2 GPM @ 60 PSI aerator comes standard. Also available with 0.5 or 1.0 Water Conservation Aerator. **Bubbler Screen Spout Tip** included at no additional charge.

*Screen bubbler optional at additional charge

1/4 turn Compression valve standard. Optional **Quarter Turn Ceramic Valve** with built-in check valve also available



Unique Spring-Loaded Stem Valve prevents water cross-flow between hot and cold water, and prevents backflow siphoning.

All Encore faucets and pre-rinse assemblies are equipped with **Full On Quarter Turn Valves** offering full volume water flow.

*Full-turn valves



Exclusive Solid Brass Valve Seat accepts conventional faucet bibb washer...minimizes down time and costly service calls.

*Rubber seat degrades with use, especially with hot water



*Compared to T&S plumbing - details from most current competitor sales literature

Compare us to the Competition*



Interlocking Helical Coils of stainless steel - outer hose shroud will not come apart, providing maximum protection and flexibility for the inner hose.

***Hose shield will unravel, puncture hose**

Heavy-Duty Ergonomic Gooseneck Spring ensures proper hose position and flexibility. Available in chrome or stainless steel

Patented Heavy-Duty Stainless Steel Strain Relief Spring transfers load stress and distributes it evenly over a wider area to significantly improve hose life.

***Stress causes metal fatigue, hose failure**

Patented Wall Bracket with compression fitting provides quick, easy installation and 360° of support to minimize field abuse. The nipple can be cut to accommodate lengths between 2" (51mm) and 12" (305mm).

***Set screw on wall bracket susceptible to stripping out; failure causes riser pipe to break**

Replaceable Valve Cartridge prevents cross-flow and backflow and is interchangeable with other manufacturers.

1/4-Turn Valves offer full volume water flow.

***Full turn valves**

3-Ply Nylon-reinforced High Pressure Santoprene® inner hose provides maximum durability.

***Thin gauge vinyl hose**

High Pressure Hydraulic Fittings on hose ends have been pressure tested to 400 psi.

***Barb fitting can pull out of hose**

Embedded Temperature Resistant O-Rings eliminate the need for washers, increase longevity and provide a positive, leak-proof seal on all hose assemblies and spray grips.

***Washers**

Kool Grip™ reduces heat transferred to the hand to maximize comfort; up to 30° cooler than water temperature.

***Uninsulated handle with copper tube transfers heat**

Ergonomic Spray Handle is easier to use.

Non-Marring, Dish Sensitive, Impact Resistant Bumper provides a positive, non-leaking seal made from a heat resistant material that will not fatigue under extreme operating temperatures.

Reinforced Thermoplastic Face Plate prevents flexing and premature bumper wear.

***Thin gauge face plate subject to cracking; can rotate in the bumper, causing excessive overspray**

Patented PowerPulse™ spray available in 0.65gpm, 0.74gpm, 1.05gpm, 1.22gpm, 1.52gpm*. Standard Pre-Rinse is furnished with a 1.6gpm Water Saver Spray. Also available are 1.2gpm and 0.65 gpm spray valves. All Encore Pre-Rinse are certified to ASTM F2324-03, in accordance with the Energy Policy Act of 2005.

PowerPulse cleans up to 43% faster and uses up to 58% less water than the leading competitor's spray valve according to Fisher Nickel, Inc. Food Service Technology Center.

Santoprene® is a registered trademark of ExxonMobil Corporation

*Compared to T&S plumbing - details from most current competitor sales literature

NEW FAN SPRAY VALVE



- Low lead brass construction
- Designed to provide superior performance and durability for tough foodservice environments
 - Effectively removes food or residue on dishware
 - Interchangeable with all major brands
- Meets new EPA Class II water conservation requirements
 - Protective dish guard bumper- eliminates leaking
- 1.15 gpm fan knife spray powers off debris quickly while conserving water
 - Encore “Kool Grip” insulated grip

KL50-0220-FS With Grip and Universal Adapters
KL50-Y002-FS With Grip

NEW POT AND KETTLE SHUT-OFF VALVE



- Can be installed on any Encore spout assembly to give more versatility and ease of use for quick filling of pots, kettles, pasta cookers, etc.
- Quarter turn full open valve fills quickly and efficiently

KPV-X002

INTRODUCTION TO ENCORE® PLUMBING
ANOTHER ENCORE GROUNDBREAKING INNOVATION

POWER PULSE™

PRE-RINSE SPRAY VALVE

- Easy retrofit to most existing pre-rinses – or available in complete kit
- Unique pulsing action creates a high pressure stream that powers off dried and baked on food in **LESS TIME** (as low as 12 seconds*) with **LESS WATER** (up to 58% less vs. competitors*)
- 3 year warranty • Patent Pending



PowerPulse is the most efficient pre-rinse spray valve in the industry.

Encore Model	Rated Flow gpm (Lpm)	Clean Time (Seconds)	Total Water (Gallons)	Spray Force ozf (gramf)	FASTER CLEANING vs. Top Competitors	USES LESS WATER vs. Top Competitors
KLP50-0220152	1.52 (5.75)	13	0.33	10 (283)	37% Faster	33% Less Water
KLP50-0220-12	1.22 (4.62)	17	0.35	7.7 (218)	25% Faster	23% Less Water
KLP50-0220105	1.05 (4.0)	12	0.21	6.8 (193)	43% Faster	58% Less Water
KLP50-0220-74	0.74 (2.8)	14	0.17	4.9 (139)	33% Faster	65% Less Water
KLP50-0220-65	0.67 (2.5)	17	0.19	4.5 (128)	20% Faster	17% Less Water
KLP50-0220-45**	0.45 (1.7)	19	0.47	3.2 (91)	N/A	N/A

Top Industry Competitors	Rated Flow (gpm)	Clean Time (Seconds)	Total Water (Gallons)
Competitor A	1.42	20.74	0.49
Competitor A	1.20	22.59	0.45
Competitor A	0.65	21	0.23
Competitor B	1.15	22	0.42
Competitor B	0.70	24	0.28

All flow rates are @ 60psi



Results provided by The Fisher Nickel, Inc.
Food Service Technology Center.

To see the PowerPulse in action, check out our online video at
www.componenthardware.com/resources/videos



Encore sensor activated hands-free electronic faucets and stainless steel handsinks with built-in hands-free electronic faucet are designed to minimize water consumption and reduce potential for cross contamination.



Commercial Quality Features

- 500,000 cycle battery life (250,000 hand washes)
- Energy-efficient “latching” (bi-stable) solenoid only uses power to open or close
- Auto-ranging feature automatically adjusts sensing range

Hands-Free Operation

- Infra-red sensor activated
- Self-adapting sensor distance adjustment
 - 1 second shut-off delay
- 20 second adjustable automatic time-out feature (complies with FDA Food Code)

Refer to pages 142-146 for configurations to meet all of your handwashing needs.

The Encore Premium Drain Master™ Is Truly The World's Greatest Drain

The Drain Master's solid heavy duty cast body is specification and commercial quality made of Type 316 stainless steel. It fits a 3-1/2" sink opening diameter and offers a self-centering stainless steel face flange with stainless steel beehive crumb cup strainer. The stainless steel rotary handle in the open position shall allow for fast drainage and shall have positive sealing action when closed. The Drain Master accepts 1-1/4" OD overflow elbow tube with a universal style for use with both 2" or 1-1/2" NPSM outlet.

US Patent 6,145,136



Commercial Quality Features

- Type 316 stainless steel drain body
- Self-centering stainless steel face flange
- Stainless steel rotary handle
- 3 times the flow rate of conventional lever drains
- Services from the top; no disassembly required
- Easy one person installation

INTRODUCTION TO ENCORE® PLUMBING RETAIL DISPLAYS AND PACKAGING

Any faucet, pre-rinse or drain assembly is available in
4-color retail packaging.

Contact customer service for the model number.



CHG-ENCOREFLOORDISP



CHG-TOPLINEFLOORDISP



CHG-ENC-CTDISPLAY



CHG-TOPLINECTDISPLAY

INTRODUCTION TO ENCORE® PLUMBING RETAIL PACKAGED AFTERMARKET SERVICE PARTS

VALVES

PART NUMBER	DESCRIPTION
KL34-Y006-Z	COLD VALVE ASSEMBLY, 3/4" COMPRESSION
KL34-Y007-Z	HOT VALVE ASSEMBLY, 3/4" COMPRESSION
KL35-Y007-Z	HOT VALVE ASSEMBLY, 3/4" ADD-ON FAUCET
KL41-Y006-Z	COLD VALVE ASSEMBLY, COMPRESSION, SHORT BARREL
KL41-Y007-Z	HOT VALVE ASSEMBLY, COMPRESSION, SHORT BARREL
KL41-Y006-CVZ	COLD VALVE ASSEMBLY CERAMIC, SHORT BARREL
KL41-Y007-CVZ	HOT VALVE ASSEMBLY CERAMIC, SHORT BARREL
KL41Y006CVKZ	COLD VALVE ASSEMBLY CERAMIC W/HANDLE KIT
KL41Y007CVKZ	HOT VALVE ASSEMBLY CERAMIC W/HANDLE KIT
KL41-Y006-KTZ	COLD VALVE ASSEMBLY W/HANDLE KIT
KL41-Y007-KTZ	HOT VALVE ASSEMBLY W/HANDLE KIT
KL50-Y006-Z	COLD VALVE ASSEMBLY, COMPRESSION, LONG BARREL
KL50-Y007-Z	HOT VALVE ASSEMBLY, COMPRESSION, LONG BARREL
KL50-Y006-CVZ	COLD VALVE ASSEMBLY CERAMIC, LONG BARREL
KL50-Y007-CVZ	HOT VALVE ASSEMBLY CERAMIC, LONG BARREL
KL50Y006CVKZ	COLD VALVE ASSEMBLY CERAMIC W/HANDLE KIT
KL50Y007CVKZ	HOT VALVE ASSEMBLY CERAMIC W/HANDLE KIT
KL50-Y006-KTZ	COLD VALVE ASSEMBLY W/HANDLE KIT
KL50-Y007-KTZ	HOT VALVE ASSEMBLY W/HANDLE KIT
KL50-Y027-Z	BUTTON VALVE ASSEMBLY
KL55-Y010-Z	HOT VALVE ASSEMBLY, ADD-ON FAUCET
KL55-Y011-Z	COLD VALVE ASSEMBLY, ADD-ON FAUCET
KL84-Y006-Z	METERING VALVE W/OPERATOR - COLD
KL84-Y007-Z	METERING VALVE W/OPERATOR - HOT
KL84-Y008-Z	METERING VALVE W/OPERATOR - UNIVERSAL
KN84-0001-Z	OPERATOR KITS FOR METERING VALVE
KN84-X023-Z	METERING VALVE OPERATOR ONLY - UNIVERSAL

SPOUTS

KS11-12-X000Z	SPOUT, 3" GOOSENECK
KS11-12-X002Z	SPOUT, 6" GOOSENECK
KS11-12-X001Z	SPOUT, 8" GOOSENECK
KS11-12-X100Z	SPOUT, 3" RIGID GOOSENECK
KS11-12-X102Z	SPOUT, 6" RIGID GOOSENECK
KS11-12-X101Z	SPOUT, 8" RIGID GOOSENECK
KS11-12-X006Z	SPOUT, 6" SWING
KS11-12-X008Z	SPOUT, 8" SWING
KS11-12-X010Z	SPOUT, 10" SWING
KS11-12-X012Z	SPOUT, 12" SWING
KS11-12-X112Z	SPOUT, JOINTED, 12"
KS11-12-X014Z	SPOUT, 14" SWING
KS11-12-X016Z	SPOUT, 16" SPOUT

AERATORS

KL50-X120-S-Z	LOW LEAD AERATOR 55/64 WIDE ROSE SPRAY 6.0 GPM
KL50-X120-SOZ	LOW LEAD AERATOR 55/64 WIDE ROSE SPRAY 6.0 GPM SANIGUARD
KL50-X203-S-Z	AERATOR 15/16 SLIM AIR 0.5 GPM VANDAL RESISTANT
KL50-X204-S-Z	AERATOR 15/16 SLIM AIR 1.5 GPM VANDAL RESISTANT
KN50-X120-F-Z	AERATOR 55/64 LAMINAR 1.5 GPM ANTIMICROBIAL
KN50-X120-M-Z	AERATOR 55/64 PC SPRAY 1.0 GPM
KN50-X120S06Z	AERATOR 55/64 ROSE SP 6.0 GPM
KN50-X121-Z	AERATOR 15/16 STREAM 2.2 GPM
KN50-X121-A-Z	AERATOR 15/16 PC SPRAY 0.5 GPM
KN50-X121-F-Z	AERATOR 15/16 LAMINAR 1.5 ANTIMICROBIAL
KN50-X121-M-Z	AERATOR 15/16 MALE PC SPRAY 1.0 GPM
KN50-X201-Z	AERATOR 55/64 STREAM 2.2 GPM

AERATORS (continued)

PART NUMBER	DESCRIPTION
KN50-X201-A-Z	AERATOR 55/64 PC SPRAY 0.5 GPM VANDAL RESISTANT
KN50-X201-F-Z	AERATOR 55/64 LAMINAR 1.5 GPM ANTIMICROBIAL VANDAL RESISTANT
KN50-X201-H-Z	AERATOR 55/64 PC STREAM 2.2 GPM VANDAL RESISTANT W/HOSE GUARD
KN50-X203-Z	AERATOR 15/16 STREAM 2.2GPM VANDAL RESISTANT
KN50-X203-A-Z	AERATOR 15/16 PC SPRAY 0.5 GPM VANDAL RESISTANT
KN50-X203-F-Z	AERATOR 15/16 LAMINAR 1.5 ANTIMICROBIAL VANDAL RESISTANT
KN50-X235-F-Z	AERATOR 55/64 PC SPRAY 0.35 GPM FEMALE
KN50-X235-M-Z	AERATOR 15/16 PC SPRAY 0.35 GPM MALE
KN50-X305-A-Z	AERATOR 13/16-27 PC SPRAY VANDAL RESISTANT
KN50-X335-F-Z	AERATOR 55/64 PC SPRAY 0.35 GPM FEMALE VANDAL RESISTANT
KN50-X335-M-Z	AERATOR 15/16 PC SPRAY 0.35 GPM MALE VANDAL RESISTANT
KN50-X120-Z	AERATOR 55/64 STREAM 2.2 GPM
KN50-X120-A-Z	AERATOR 55/64 PC SPRAY 0.5 GPM

RISERS

KL50-X153-5-Z	5" RISER
KL50-X153-7-Z	7" RISER
KL50-X153-8-Z	8" RISER
KL50-X153-12Z	12" RISER
KL50-X153-14Z	14" RISER
KL50-X077-Z	18" RISER
KL50-X029-Z	24" RISER
KL50-X153-26Z	26" RISER
KL50-X153-32Z	32" RISER

REPAIR KITS

KL13-0010-Z	REPAIR KIT, TOP-LINE TLL13 & TLL11 SERIES
KL26-0010-Z	REPAIR KIT GLASS FILLER
KL18-0010-Z	REPAIR KIT, KL18-3170-XZ
KL22-0010-Z	REPAIR KIT KL22 DIPPERWELL FAUCET
KL50-0200-Z	REPAIR KIT, PRE-RINSE, 3.3GPM

ADAPTERS

KL50-X128-Z	3/8" HOSE ADAPTER, CHICAGO
KL11-X080-Z	FEMALE HOSE SPOUT ADAPTER 55/64 X 3/4
KL50-X075-Z	RIGID-TO-SWIVEL ADAPTER
KL50-X076-Z	RISER/SPOUT ADAPTER
KL50-X122-Z	SWIVEL TO RIGID ADAPTER
KL50-X127-Z	1/4" HOSE ADAPTER, FISHER
KL50-X129-Z	1/2" HOSE ADAPTER
KL50-X148-Z	ADAPTER, T&S SPOUT
KL50-X149-Z	ADAPTER, CHICAGO SPOUT
KL50-X194-Z	GRIP ADAPTER (7/8-20 - 3/8-18)
KL99-X102-Z	GRIP ADAPTER (7/8-20 - 3/4-14)
K50-X234-Z	GARDEN HOSE ADAPTER

HANDLES

K50-0110-Z	LEVER HANDLE REPLACEMENT KIT W/SCREW
K50-0111-Z	CROSS HANDLE REPLACEMENT KIT
K50-0001-Z	WRIST HANDLES, PAIR, 4"
K50-0001-6-Z	WRIST HANDLES, PAIR, 6"
K50-X080-Z	HANDLE, ENCORE DESIGNER STYLE

MOUNTING KITS

KL60-Y010-Z	MOUNTING KIT, DECK
KL40-1000-Z	MOUNTING KIT, WALL
KL40-2020-Z	MOUNTING KIT CLOSE ELBOW, WALL

ADD-ON FAUCETS FOR PRE-RINSES

PART NUMBER	DESCRIPTION
KL55-7006-Z	ADD-ON FAUCET, 6"
KL55-7008-Z	ADD-ON FAUCET, 8"
KL55-7010-Z	ADD-ON FAUCET, 10"
KL55-7012-Z	ADD-ON FAUCET, 12"
KL55-7014-Z	ADD-ON FAUCET, 14"
KL55-7016-Z	ADD-ON FAUCET, 16"
KL55-7018-Z	ADD-ON FAUCET, 18" JOINTED
KL557018ASE1Z	ADD-ON FAUCET, 18" STRAIGHT

HOSES

KL50-Y00420U	PRE-RINSE HOSE, UNIVERSAL, 20", FITS BK, CHICAGO, DORMONT, FISHER, KROWNE, T&S, ZURN
KL50-Y00426U	PRE-RINSE HOSE, UNIVERSAL, 26", FITS BK, CHICAGO, DORMONT, FISHER, KROWNE, T&S, ZURN
KL50-Y00444U	PRE-RINSE HOSE, UNIVERSAL, 44", FITS BK, CHICAGO, DORMONT, FISHER, KROWNE, T&S, ZURN
KL50-Y00460U	PRE-RINSE HOSE, UNIVERSAL, 60", FITS BK, CHICAGO, DORMONT, FISHER, KROWNE, T&S, ZURN
KL50-Y00472U	PRE-RINSE HOSE, UNIVERSAL, 72", FITS BK, CHICAGO, DORMONT, FISHER, KROWNE, T&S, ZURN
KL50-Y00496U	PRE-RINSE HOSE, UNIVERSAL, 96", FITS BK, CHICAGO, DORMONT, FISHER, KROWNE, T&S, ZURN

VACUUM BREAKERS

KL50-X136-Z	HOSE CONNECTION VACUUM BREAKER
KL50-X139-Z	IN-LINE VACUUM BREAKER, TOP OF RISER
KL50-X139-BZ	IN-LINE VACUUM BREAKER, BOTTOM OF RISER
KL50-X196-Z	IN-LINE VACUUM BREAKER, CONTINUOUS PRESSURE

SUPPLY INLETS

KL60-Y006-Z	SUPPLY INLET ASSEMBLY STRAIGHT
KL60-Y004-Z	SUPPLY INLET ASSEMBLY 1/2" OFFSET
KL60-Y004-Z	SUPPLY INLET ASSEMBLY 1" OFFSET
KL50-0500-Z	RIGID TEE WATER SUPPLY KIT

PRE-RINSE ACCESSORIES

KL50-X032-Z	SPRING RETAINER
K50-Y011-Z	HOOK & SCREW ASSEMBLY
K50-Y012-Z	PVC HOOK ASSEMBLY FOR UTILITY SPRAY
KN50-X025-Z	GRIP, INSULATED KOOL GRIP™
K50-Y020-Z	WALL BRACKET ASSEMBLY
K50-X033-Z	SPRING, PRE-RINSE
K50-X178-Z	SPRING, PRE-RINSE, S/S
K50-Y500-Z	SWIVEL ARM PRE-RINSE SUPPORT
KL50Y002065	PRE-RINSE SPRAY ASSY, .65 GPM
KL50-Y002-12	PRE-RINSE SPRAY ASSY, 1.2 GPM
KL50-Y002-16Z	PRE-RINSE SPRAY ASSY, 1.6 GPM

DRAIN ACCESSORIES

E30-7744-Z	REDUCER 2" TO 1-1/2" IPS
D10-0010-Z	LEVER/TWIST DRAIN REPAIR KIT
D10-X011-Z	FACE FLANGE S/S, 3" SINK OPENING
D10-X012-Z	FACE FLANGE S/S, 3-1/2" SINK OPENING
D10-X013-VP-Z	VANDAL PROOF LOCKING FLAT STRAINER 3"
D10-X014-VP-Z	VANDAL PROOF LOCKING FLAT STRAINER 3-1/2"
D10-Y001-Z	STEM VALVE S/A WITH O-RING
DPL-Y006-Z	REDUCER & WASHER FOR SINKMATE
D10-T001-Z	LEVER/TWIST DRAIN TOOL
D10-0001-Z	LEVER HANDLE ASSEMBLY
D50-0001-Z	TWIST HANDLE ASSEMBLY

INTRODUCTION TO ENCORE® PLUMBING

WHAT IS SANIGUARD?



WHAT IS SANIGUARD® ANTIMICROBIAL PRODUCT PROTECTION OPTION

SANIGUARD's unique silver ion technology has a wide range of applications in the commercial, institutional, foodservice and healthcare markets– from faucets, flush valve handles and drain traps to shower fixtures and enclosures, hand and door knobs...to name a very few.

SANIGUARD antimicrobial product protection is a built-in antimicrobial treatment for metal and plastic products and coatings. When microbes come into contact with a treated product surface, **SANIGUARD**'s inorganic, silver ion technology actively inhibits their growth by hindering cell wall transmissions, disrupting cell metabolism, and interfering with cellular reproduction.

SANIGUARD coatings and additives are effective against most common bacteria, yeasts, molds, and fungi that cause stains, odors, and product deterioration. In addition, applying our **SANIGUARD** treatment makes products easier to clean and keeps them cleaner and fresher between cleanings.

Our **SANIGUARD** treatment is based on antimicrobial material, which the US Environmental Protection Agency (EPA) has registered for use in a variety of products and coatings.

SANIGUARD antimicrobial product protection is built into products during the manufacturing process and will not wash off or wear away. Under normal cleaning conditions, the **SANIGUARD** treatment will provide continuous antimicrobial product protection for the useful life of the product.

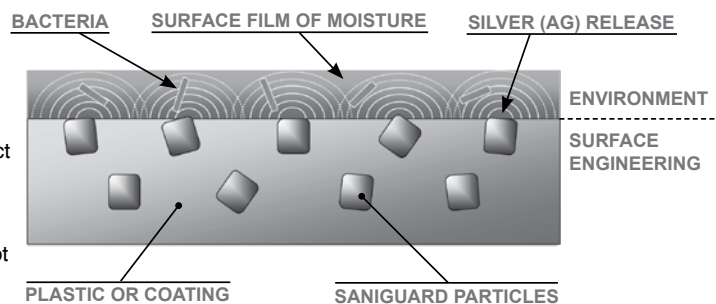
SANIGUARD antimicrobial product protection is designed to protect the product. It is not a substitute for good hygiene or cleaning practices and will not protect users or others from food-borne or disease-causing microorganisms.

HOW SANIGUARD WORKS

Here is an example of how our **SANIGUARD** treatment works on metal or plastic products. As bacteria-laden moisture comes into contact with the **SANIGUARD**-treated product, the sodium ions in the water react with the silver ions embedded in the coating and release them to the surface, where they can attack the bacteria. Because this process only requires a small amount of silver ions to reach equilibrium with the sodium ions, the antimicrobial efficacy of the silver is prolonged for the useful life of the product.

WHY USE SANIGUARD PRODUCT PROTECTION

SANIGUARD antimicrobial product protection offers many inherent benefits. By using **SANIGUARD** treatment on your products, you can gain a market advantage through innovation, differentiation and product specification by consultants and designers. **SANIGUARD** coatings and additives also provide performance-based solutions for everyday problems. **SANIGUARD** product protection is designed to keep the product fresher and cleaner between normal cleaning routines. It is not a disinfectant and will not protect users or others against food-borne illness or disease. Always use good hygiene and cleaning practices.



FORMS OF SANIGUARD PRODUCT PROTECTION

SANIGUARD compounds can be applied to metal substrates as a polyester or epoxy powder coating, or as an additive to plastic resins for extruding or injection molding. Both of these processes involve formulation which are proprietary to Component Hardware and our **SANIGUARD**-treated products. These products have been repeatedly tested to ensure consistency in efficacy and durability.

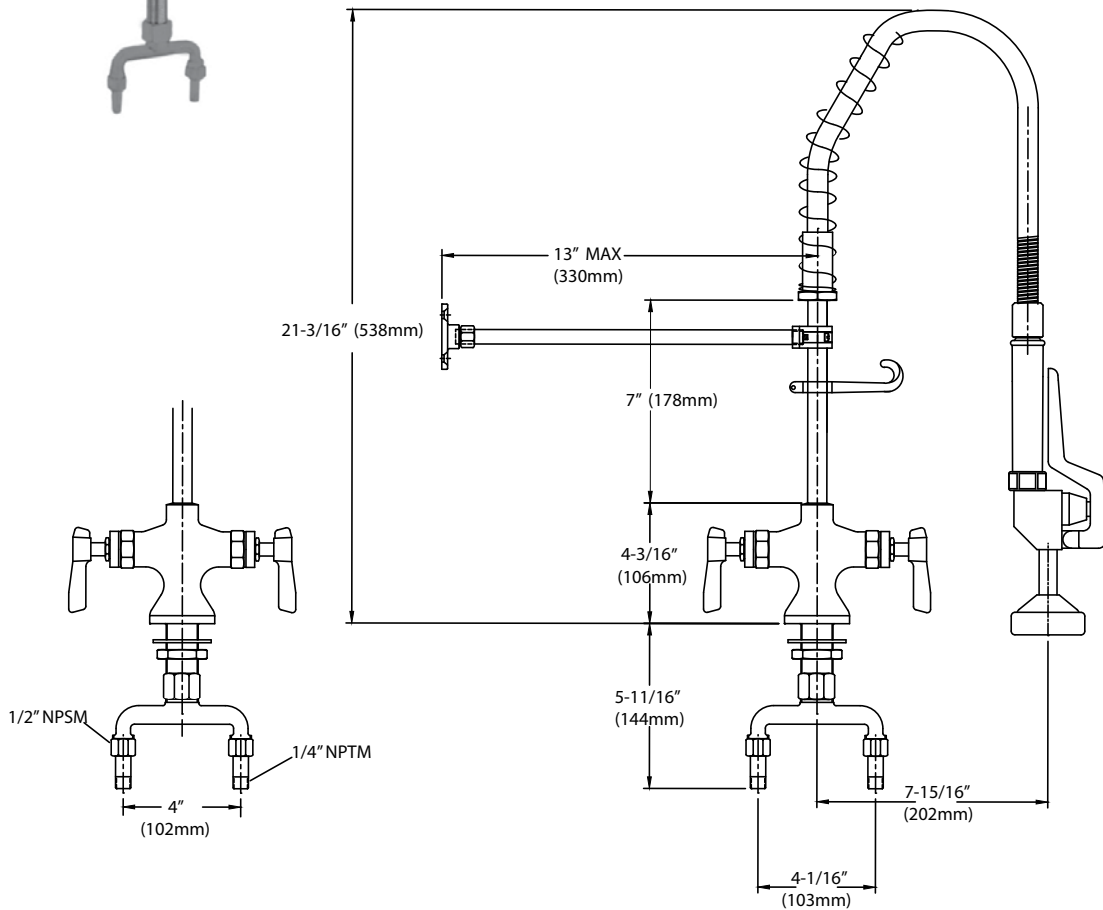
BELOW IS A LIST OF PRODUCTS IN WHICH SANIGUARD PRODUCT PROTECTION CAN BE APPLIED.

- **Faucet handles**
- **Spouts**
- **Faucet bodies**
- **Any product made from metal that is used as a touchpoint**

PRE-RINSE, SINGLE HOLE DECK MOUNT KL50-MINI SERIES

Model	Flow Rate	Valves	Spring	Wall Bracket
KL50-MINI	1.6GPM	Compression	Chrome Plated	None
KL50-MINI-BR				Yes
KL50-MINI-BS			Stainless Steel	None
KL50-MINI-S				None

For PowerPulse™ spray head configuration, use prefix "KLP"
 Approximate shipping weight - 13 lb
 Warranty - 3 years parts



For service parts breakdown, refer to page 297.

COMPLIES WITH:
 THE FEDERAL "REDUCTION OF LEAD
 IN DRINKING WATER ACT" -
 2011 - US SENATE BILL NO. S.3874
 NSF/ANSI 61/9, ANNEX G

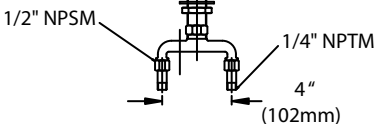
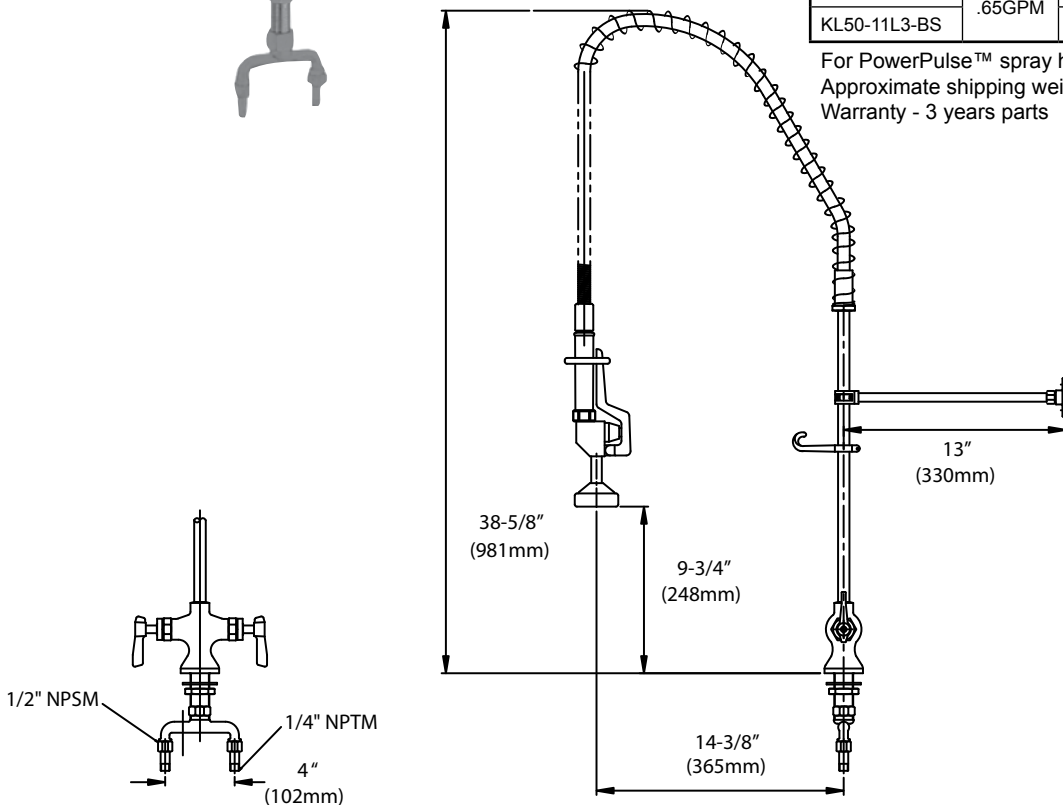


PRE-RINSE, SINGLE HOLE DECK MOUNT KL50-1000 SERIES



Model	Flow Rate	Valves	Spring	Wall Bracket
KL50-1000	1.6GPM	Compression	Chrome Plated	None
KL50-1100		Ceramic		
KL50-10L2	1.2GPM	Compression		
KL50-11L2		Ceramic		
KL50-10L3	.65GPM	Compression		
KL50-11L3		Ceramic		
KL50-1000-S	1.6GPM	Compression	Stainless Steel	None
KL50-1100-S		Ceramic		
KL50-10L2-S	1.2GPM	Compression		
KL50-11L2-S		Ceramic		
KL50-10L3-S	.65GPM	Compression		
KL50-11L3-S		Ceramic		
KL50-1000-BR	1.6GPM	Compression	Chrome Plated	Yes
KL50-1100-BR		Ceramic		
KL50-10L2-BR	1.2GPM	Compression		
KL50-11L2-BR		Ceramic		
KL50-10L3-BR	.65GPM	Compression		
KL50-11L3-BR		Ceramic		
KL50-1000-BS	1.6GPM	Compression	Stainless Steel	Yes
KL50-1100-BS		Ceramic		
KL50-10L2-BS	1.2GPM	Compression		
KL50-11L2-BS		Ceramic		
KL50-10L3-BS	.65GPM	Compression		
KL50-11L3-BS		Ceramic		

For PowerPulse™ spray head configuration, use prefix "KLP"
Approximate shipping weight - 13 lb
Warranty - 3 years parts



COMPLIES WITH:
THE FEDERAL "REDUCTION OF LEAD
IN DRINKING WATER ACT" -
2011 - US SENATE BILL NO. S.3874
NSF/ANSI 61/9, ANNEX G



For service parts breakdown, refer to page 297.

PRE-RINSE, SINGLE HOLE DECK MOUNT, ADD-ON FAUCET KL50-1000-AF SERIES



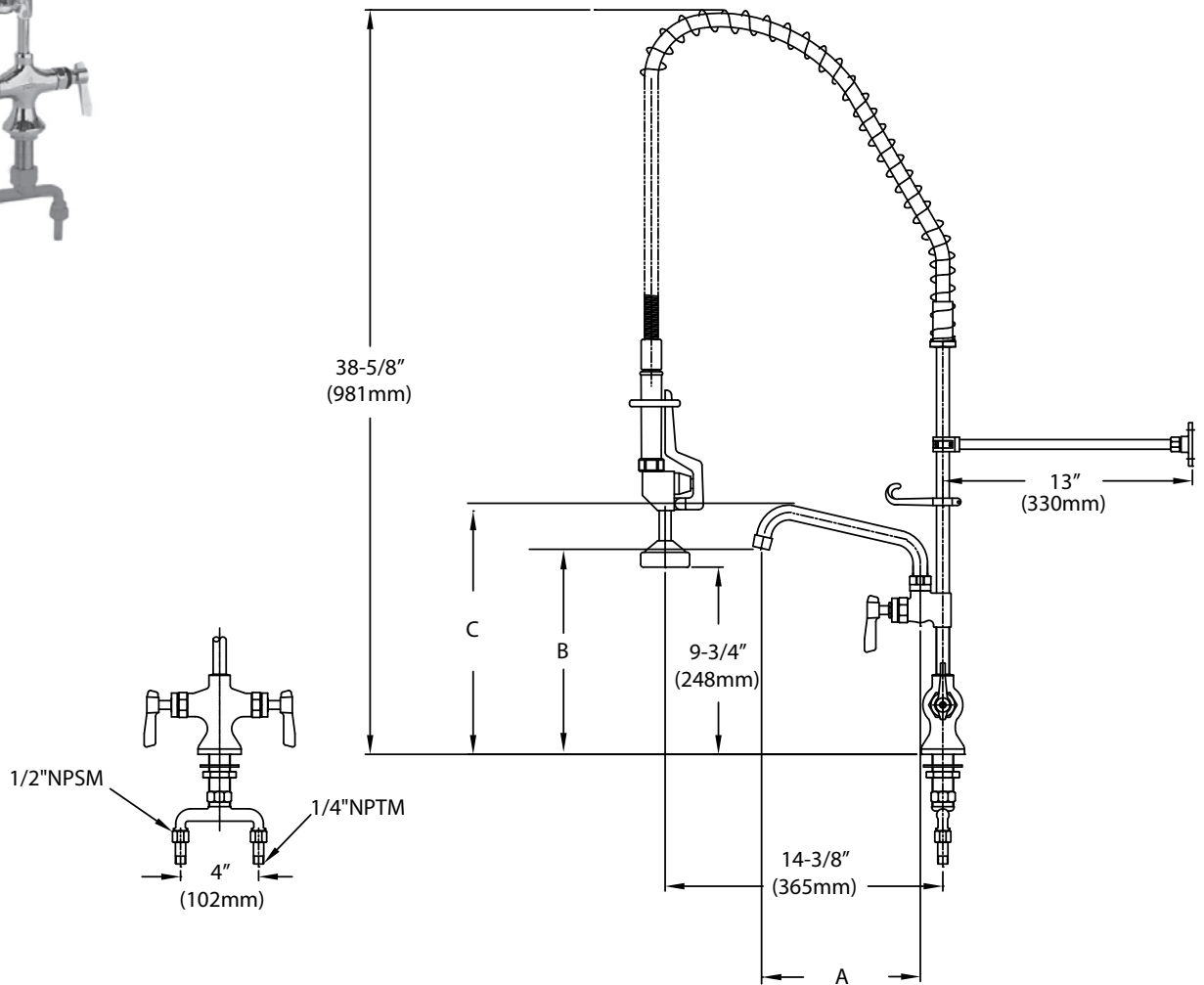
Model	Flow Rate	Valves	Spring	A	B	C
KL50-1000-AF1	1.6GPM	Compression	Chrome Plated	6" (152mm)	10-1/16" (256mm)	12-5/16" (312mm)
KL50-1100-AF1		Ceramic				
KL50-1000-AF2		Compression		8" (203mm)	10-1/2" (267mm)	12-3/4" (324mm)
KL50-1100-AF2		Ceramic				
KL50-1000-AF3		Compression		10" (254mm)	11" (279mm)	13-1/4" (336mm)
KL50-1100-AF3		Ceramic				
KL50-1000-AF4		Compression		12" (305mm)	11-7/16" (291mm)	13-11/16" (347mm)
KL50-1100-AF4		Ceramic				
KL50-1000-AF5		Compression		14" (356mm)	11-15/16" (303mm)	14-1/8" (359mm)
KL50-1100-AF5		Ceramic				
KL50-1000-AF6		Compression		16" (406mm)	12-3/8" (314mm)	14-5/8" (371mm)
KL50-1100-AF6		Ceramic				
KL50-1000-AF7*		Compression		18" (457mm)	12-7/8" (327mm)	15-1/8" (384mm)
KL50-1100-AF7*		Ceramic				

*Double jointed spout

For PowerPulse™ spray head configuration, use prefix "KLP"

Approximate shipping weight - 13 lb

Warranty - 3 years parts



For service parts breakdown, refer to page 297.

COMPLIES WITH:
THE FEDERAL "REDUCTION OF LEAD
IN DRINKING WATER ACT" -
2011 - US SENATE BILL NO. S.3874
NSF/ANSI 61/9, ANNEX G

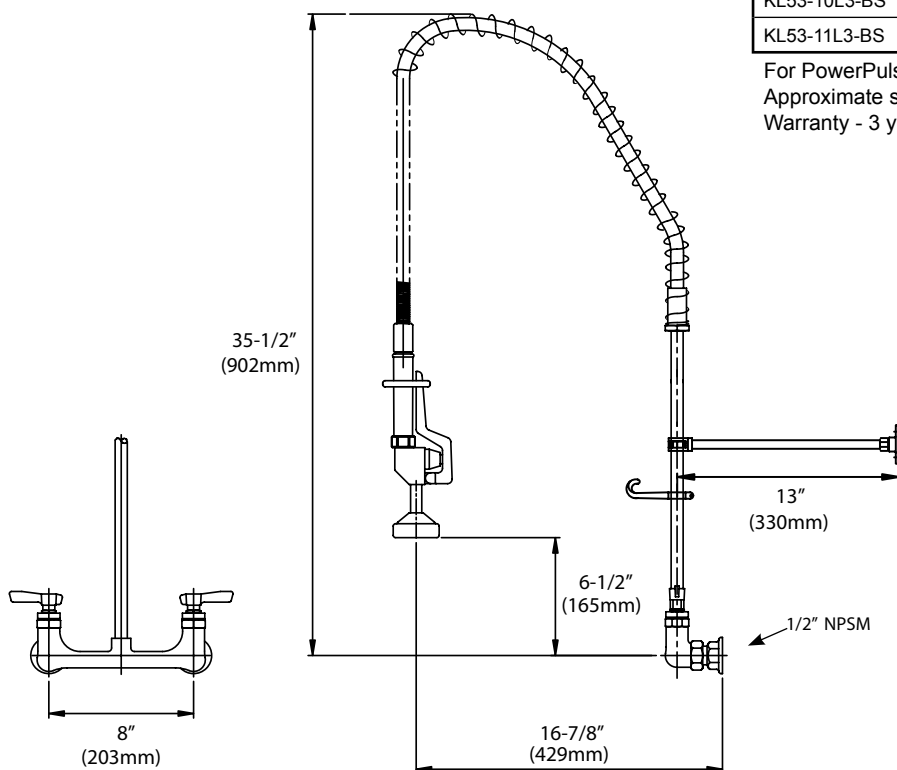


PRE-RINSE, SPLASH MOUNT, 8" O.C. KL53-1000 SERIES



Model	Flow Rate	Valves	Spring	Wall Bracket
KL53-1000	1.6GPM	Compression	Chrome Plated	None
KL53-1100		Ceramic		
KL53-10L2	1.2GPM	Compression		
KL53-11L2		Ceramic		
KL53-10L3	.65GPM	Compression		
KL53-11L3		Ceramic		
KL53-1000-S	1.6GPM	Compression	Stainless Steel	None
KL53-1100-S		Ceramic		
KL53-10L2-S	1.2GPM	Compression		
KL53-11L2-S		Ceramic		
KL53-10L3-S	.65GPM	Compression		
KL53-11L3-S		Ceramic		
KL53-1000-BR	1.6GPM	Compression	Chrome Plated	Yes
KL53-1100-BR		Ceramic		
KL53-10L2-BR	1.2GPM	Compression		
KL53-11L2-BR		Ceramic		
KL53-10L3-BR	.65GPM	Compression		
KL53-11L3-BR		Ceramic		
KL53-1000-BS	1.6GPM	Compression	Stainless Steel	Yes
KL53-1100-BS		Ceramic		
KL53-10L2-BS	1.2GPM	Compression		
KL53-11L2-BS		Ceramic		
KL53-10L3-BS	.65GPM	Compression		
KL53-11L3-BS		Ceramic		

For PowerPulse™ spray head configuration, use prefix "KLP"
Approximate shipping weight - 13 lb
Warranty - 3 years parts



For service parts breakdown, refer to page 304.

COMPLIES WITH:
THE FEDERAL "REDUCTION OF LEAD
IN DRINKING WATER ACT" -
2011 - US SENATE BILL NO. S.3874
NSF/ANSI 61/9, ANNEX G

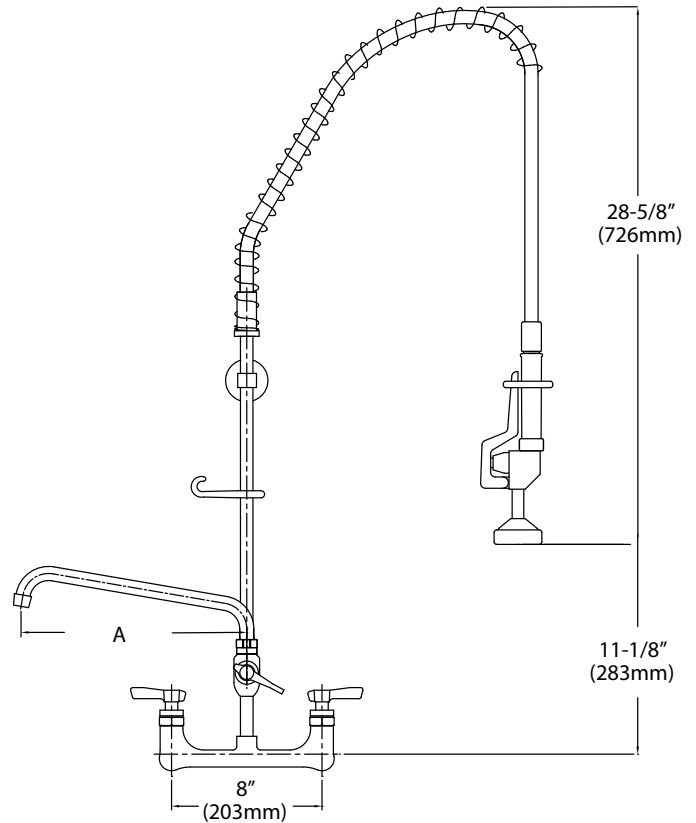
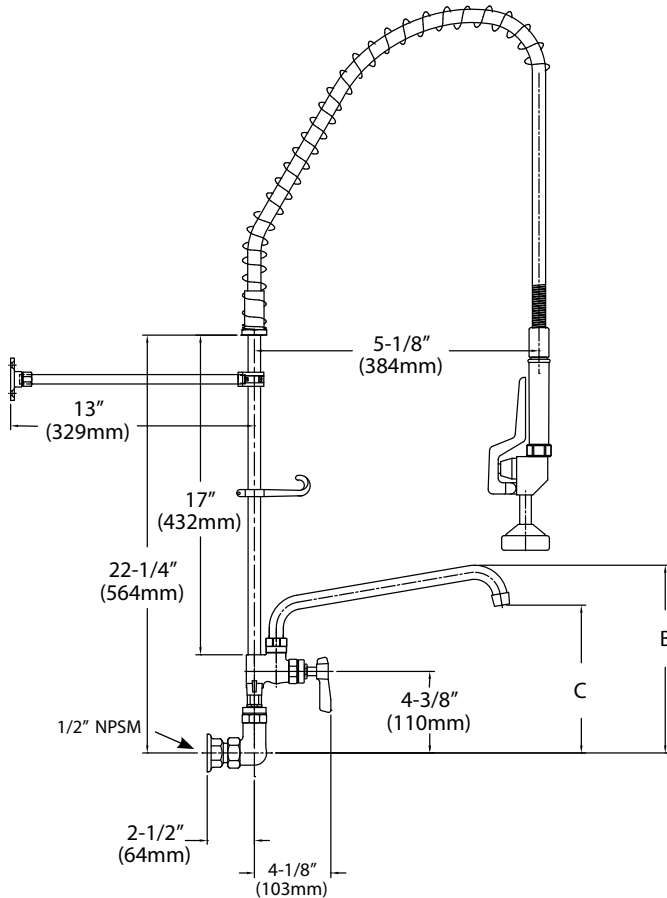


PRE-RINSE, SPLASH MOUNT, 8" O.C., ADD-ON FAUCET KL53-1000-AF SERIES



Model	Flow Rate	Valves	Spring	A	B	C
KL53-1000-AF1	1.6GPM	Compression	Chrome Plated	6" (152mm)	9-1/4" (234mm)	7" (178mm)
KL53-1100-AF1		Ceramic				
KL53-1000-AF2		Compression		8" (203mm)	9-11/16" (246mm)	7-7/16" (189mm)
KL53-1100-AF2		Ceramic				
KL53-1000-AF3		Compression		10" (254mm)	10-1/8" (258mm)	7-15/16" (201mm)
KL53-1100-AF3		Ceramic				
KL53-1000-AF4		Compression		12" (305mm)	10-5/8" (270mm)	8-3/8" (213mm)
KL53-1100-AF4		Ceramic				
KL53-1000-AF5		Compression		14" (356mm)	11-1/16" (281mm)	8-13/16" (225mm)
KL53-1100-AF5		Ceramic				
KL53-1000-AF6		Compression		16" (406mm)	11-9/16" (293mm)	9-5/16" (236mm)
KL53-1100-AF6		Ceramic				
KL53-1000-AF7*		Compression		18" (457mm)	10-3/8" (263mm)	12-5/8" (320mm)
KL53-1100-AF7*		Ceramic				

*Double jointed spout
 For PowerPulse™ spray head configuration, use prefix "KLP"
 Approximate shipping weight - 13 lb
 Warranty - 3 years parts



For service parts breakdown, refer to page 304.

COMPLIES WITH:
 THE FEDERAL "REDUCTION OF LEAD
 IN DRINKING WATER ACT" -
 2011 - US SENATE BILL NO. S.3874
 NSF/ANSI 61/9, ANNEX G

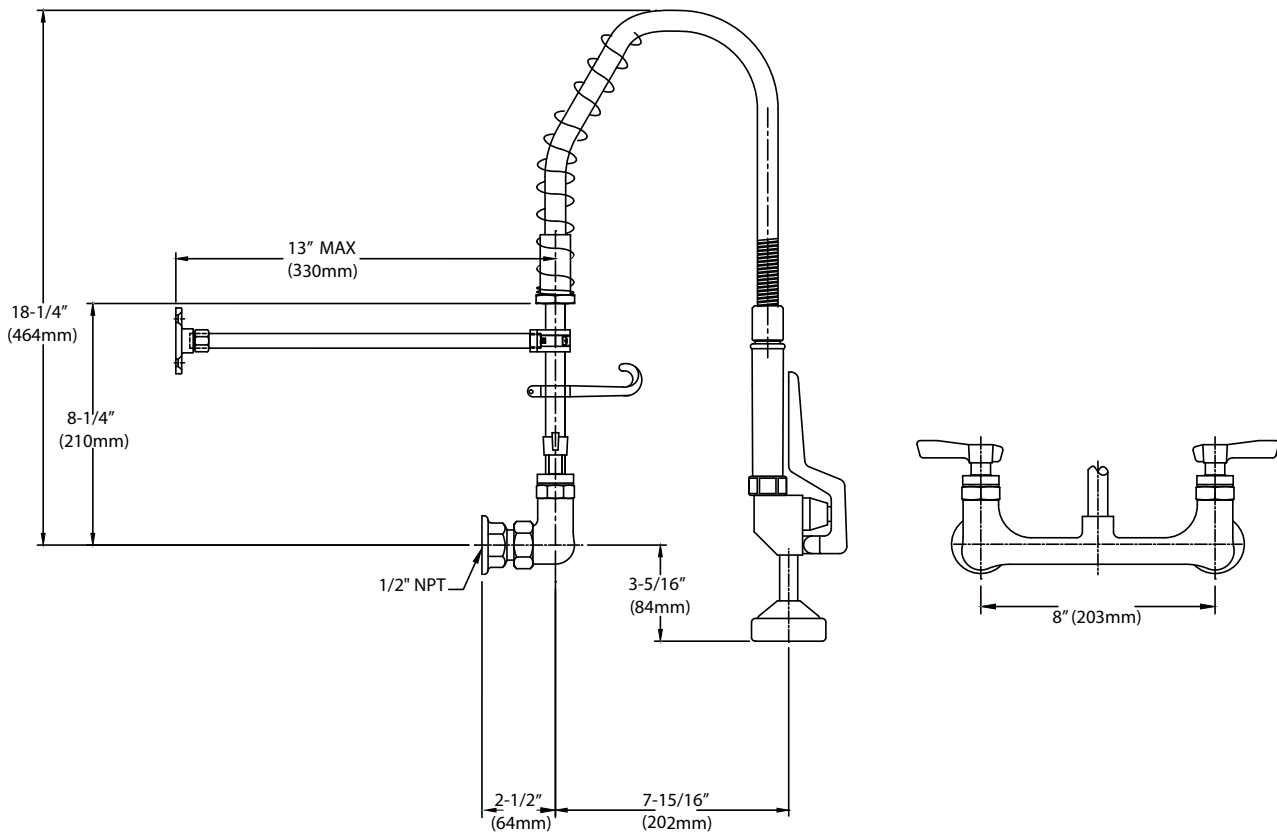


PRE-RINSE, 8" O.C., SPLASH MOUNT KL53-MINI SERIES



Model	Flow Rate	Valves	Spring	Wall Bracket
KL53-MINI	1.6GPM	Compression	Chrome Plated	None
KL53-MINI-BR				Yes
KL53-MINI-BS			Stainless Steel	None
KL53-MINI-S				

For PowerPulse™ spray head configuration, use prefix "KLP"
 Approximate shipping weight - 13 lb
 Warranty - 3 years parts



For service parts breakdown, refer to page 304.

COMPLIES WITH:
 THE FEDERAL "REDUCTION OF LEAD
 IN DRINKING WATER ACT" -
 2011 - US SENATE BILL NO. S.3874
 NSF/ANSI 61/9, ANNEX G



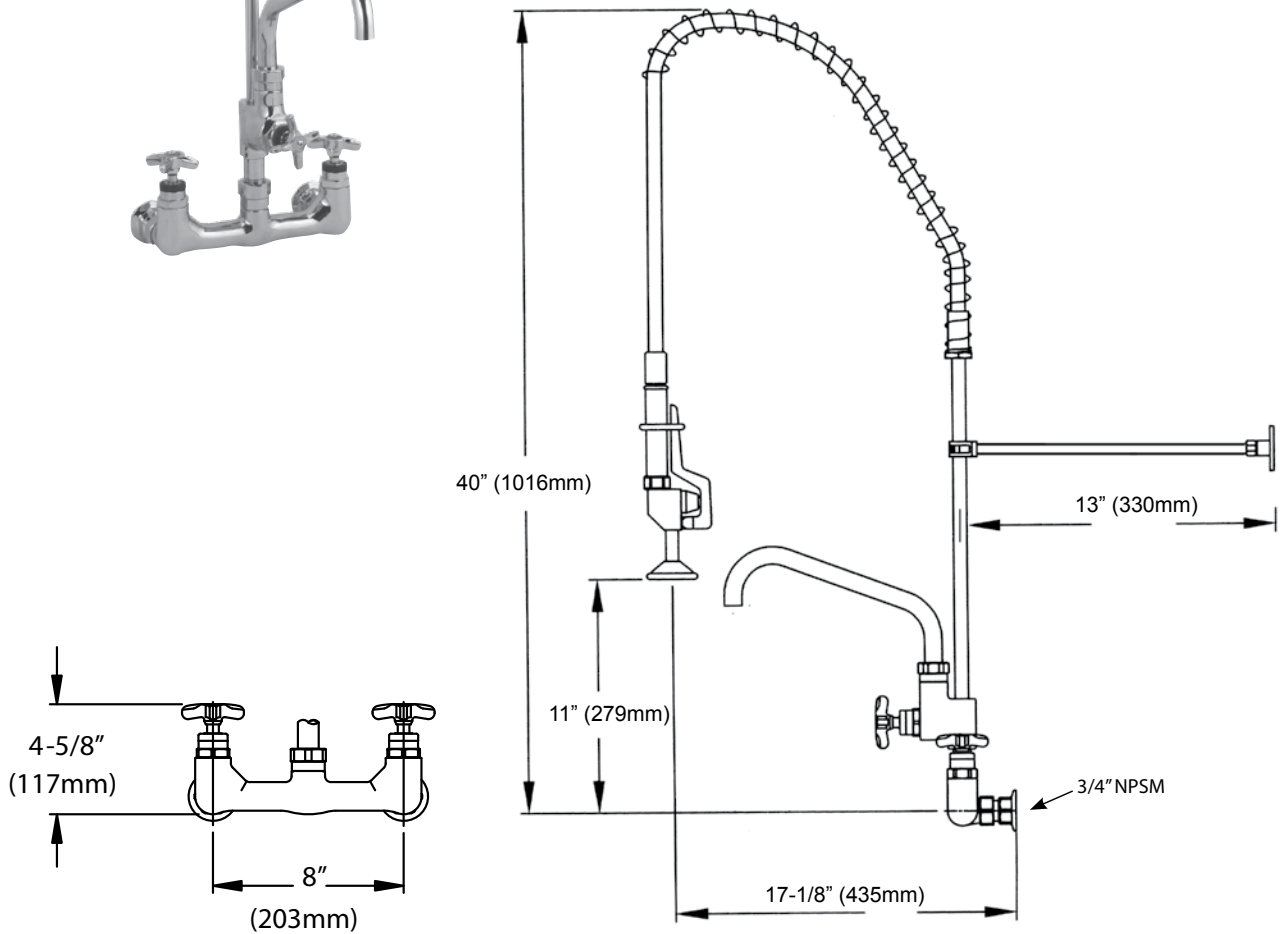
PRE-RINSE, QUIK-FIL™, SPLASH MOUNT, INLINE VACUUM BREAKER KL34-1000 SERIES



Model	Supply Pressure	Flow Rate*	Valves	Add-On Faucet
KL34-1000-BR	50PSI 60PSI	27GPM 30GPM	Compression	None
KL34-1010-BR				10" (254mm)
KL34-1012-BR				12" (305mm)
KL34-1014-BR				14" (355mm)
KL34-1018-BR				18" (457mm)
KL34-1022-BR				22" (508mm) Jointed

*Add-on faucet
 Standard spray valve flow rate - 1.6 gpm
 For PowerPulse™ spray head configuration, use prefix "KLP"
 Approximate shipping weight - 13 lb
 Warranty - 3 years parts

Note: KL34 Series replacement seats KN34-X009-SS
 KL35 Series replacement seats KN35-X010-SS
 KL34 valve seat requires 3/4" hex wrench



For service parts breakdown, refer to page 286.

COMPLIES WITH:
 THE FEDERAL "REDUCTION OF LEAD
 IN DRINKING WATER ACT" -
 2011 - US SENATE BILL NO. S.3874
 NSF/ANSI 61/9, ANNEX G

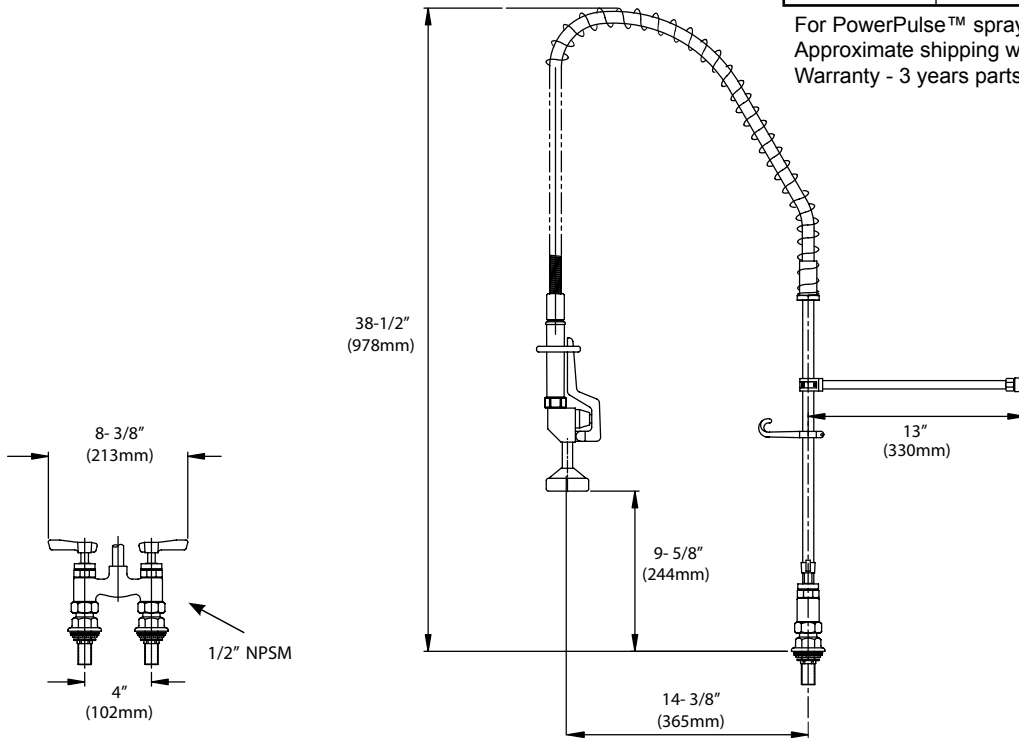


PRE-RINSE, DECK MOUNT, ELEVATED BRIDGE, 4" O.C. KL56-1000 SERIES



Model	Flow Rate	Valves	Spring	Wall Bracket
KL56-1000	1.6GPM	Compression	Chrome Plated	None
KL56-1100		Ceramic		
KL56-10L2	1.2GPM	Compression		
KL56-11L2		Ceramic		
KL56-10L3	.65GPM	Compression		
KL56-11L3		Ceramic		
KL56-1000-S	1.6GPM	Compression	Stainless Steel	None
KL56-1100-S		Ceramic		
KL56-10L2-S	1.2GPM	Compression		
KL56-11L2-S		Ceramic		
KL56-10L3-S	.65GPM	Compression		
KL56-11L3-S		Ceramic		
KL56-1000-BR	1.6GPM	Compression	Chrome Plated	Yes
KL56-1100-BR		Ceramic		
KL56-10L2-BR	1.2GPM	Compression		
KL56-11L2-BR		Ceramic		
KL56-10L3-BR	.65GPM	Compression		
KL56-11L3-BR		Ceramic		
KL56-1000-BS	1.6GPM	Compression	Stainless Steel	Yes
KL56-1100-BS		Ceramic		
KL56-10L2-BS	1.2GPM	Compression		
KL56-11L2-BS		Ceramic		
KL56-10L3-BS	.65GPM	Compression		
KL56-11L3-BS		Ceramic		

For PowerPulse™ spray head configuration, use prefix "KLP"
Approximate shipping weight - 13 lb
Warranty - 3 years parts



For service parts breakdown, refer to page 311.

COMPLIES WITH:
THE FEDERAL "REDUCTION OF LEAD
IN DRINKING WATER ACT" -
2011 - US SENATE BILL NO. S.3874
NSF/ANSI 61/9, ANNEX G



PRE-RINSE, DECK MOUNT, ELEVATED BRIDGE, 4" O.C., ADD-ON FAUCET KL56-1000-AF SERIES



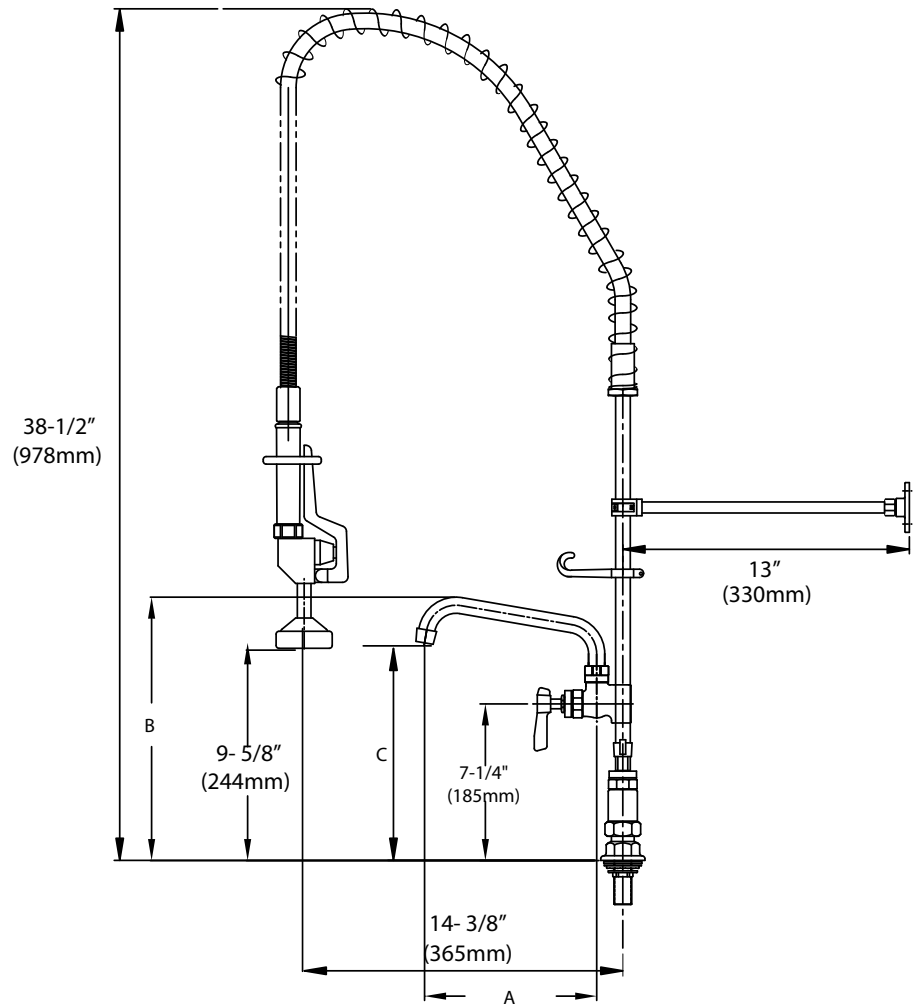
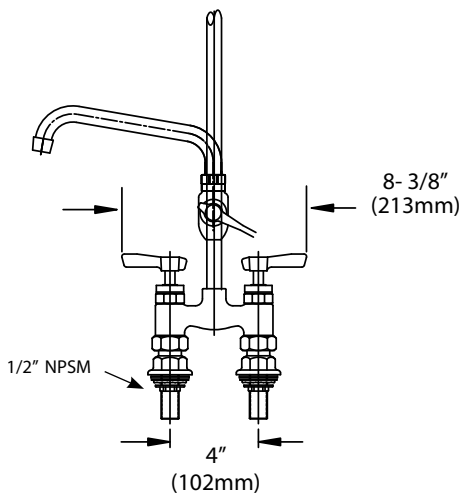
Model	Flow Rate	Valves	Spring	A	B	C
KL56-1000-AF1	1.6GPM	Compression	Chrome Plated	6" (152mm)	11-13/16" (300mm)	9-9/16" (243mm)
KL56-1100-AF1		Ceramic				
KL56-1000-AF2		Compression		8" (203mm)	12-1/4" (311mm)	10-1/8" (257mm)
KL56-1100-AF2		Ceramic				
KL56-1000-AF3		Compression		10" (254mm)	12-9/16" (319mm)	10-1/2" (266mm)
KL56-1100-AF3		Ceramic				
KL56-1000-AF4		Compression		12" (305mm)	13-3/16" (335mm)	10-15/16" (278mm)
KL56-1100-AF4		Ceramic				
KL56-1000-AF5		Compression		14" (356mm)	13-35/48" (348mm)	11-3/8" (289mm)
KL56-1100-AF5		Ceramic				
KL56-1000-AF6		Compression		16" (406mm)	14-1/8" (359mm)	11-7/8" (302mm)
KL56-1100-AF6		Ceramic				
KL56-1000-AF7*		Compression		18" (457mm)	13-3/8" (338mm)	15-9/16" (395mm)
KL56-1100-AF7*		Ceramic				

*Double jointed spout

For PowerPulse™ spray head configuration, use prefix "KLP"

Approximate shipping weight - 13 lb

Warranty - 3 years parts



COMPLIES WITH:
THE FEDERAL "REDUCTION OF LEAD
IN DRINKING WATER ACT" -
2011 - US SENATE BILL NO. S.3874
NSF/ANSI 61/9, ANNEX G



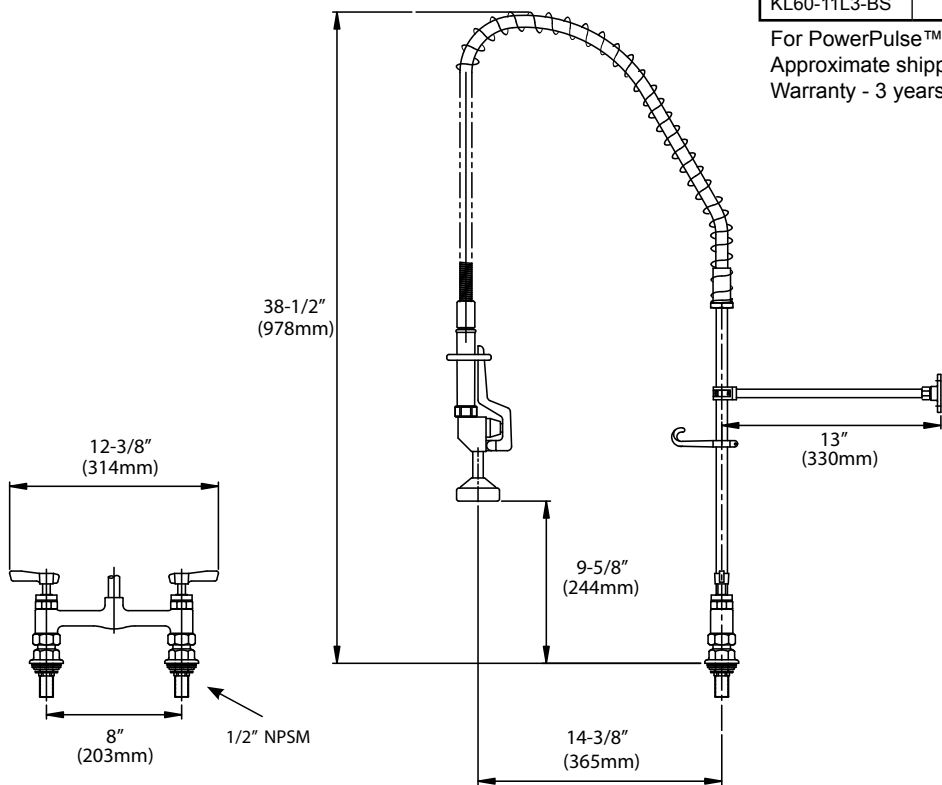
For service parts breakdown, refer to page 311.

PRE-RINSE, DECK MOUNT, ELEVATED BRIDGE, 8" O.C. KL60-1000 SERIES



Model	Flow Rate	Valves	Spring	Wall Bracket
KL60-1000	1.6GPM	Compression	Chrome Plated	None
KL60-1100		Ceramic		
KL60-10L2	1.2GPM	Compression		
KL60-11L2		Ceramic		
KL60-10L3	.65GPM	Compression		
KL60-11L3		Ceramic		
KL60-1000-S	1.6GPM	Compression	Stainless Steel	None
KL60-1100-S		Ceramic		
KL60-10L2-S	1.2GPM	Compression		
KL60-11L2-S		Ceramic		
KL60-10L3-S	.65GPM	Compression		
KL60-11L3-S		Ceramic		
KL60-1000-BR	1.6GPM	Compression	Chrome Plated	Yes
KL60-1100-BR		Ceramic		
KL60-10L2-BR	1.2GPM	Compression		
KL60-11L2-BR		Ceramic		
KL60-10L3-BR	.65GPM	Compression		
KL60-11L3-BR		Ceramic		
KL60-1000-BS	1.6GPM	Compression	Stainless Steel	Yes
KL60-1100-BS		Ceramic		
KL60-10L2-BS	1.2GPM	Compression		
KL60-11L2-BS		Ceramic		
KL60-10L3-BS	.65GPM	Compression		
KL60-11L3-BS		Ceramic		

For PowerPulse™ spray head configuration, use prefix "KLP"
Approximate shipping weight - 13 lb
Warranty - 3 years parts



For service parts breakdown, refer to page 318.

COMPLIES WITH:
THE FEDERAL "REDUCTION OF LEAD
IN DRINKING WATER ACT" -
2011 - US SENATE BILL NO. S.3874
NSF/ANSI 61/9, ANNEX G

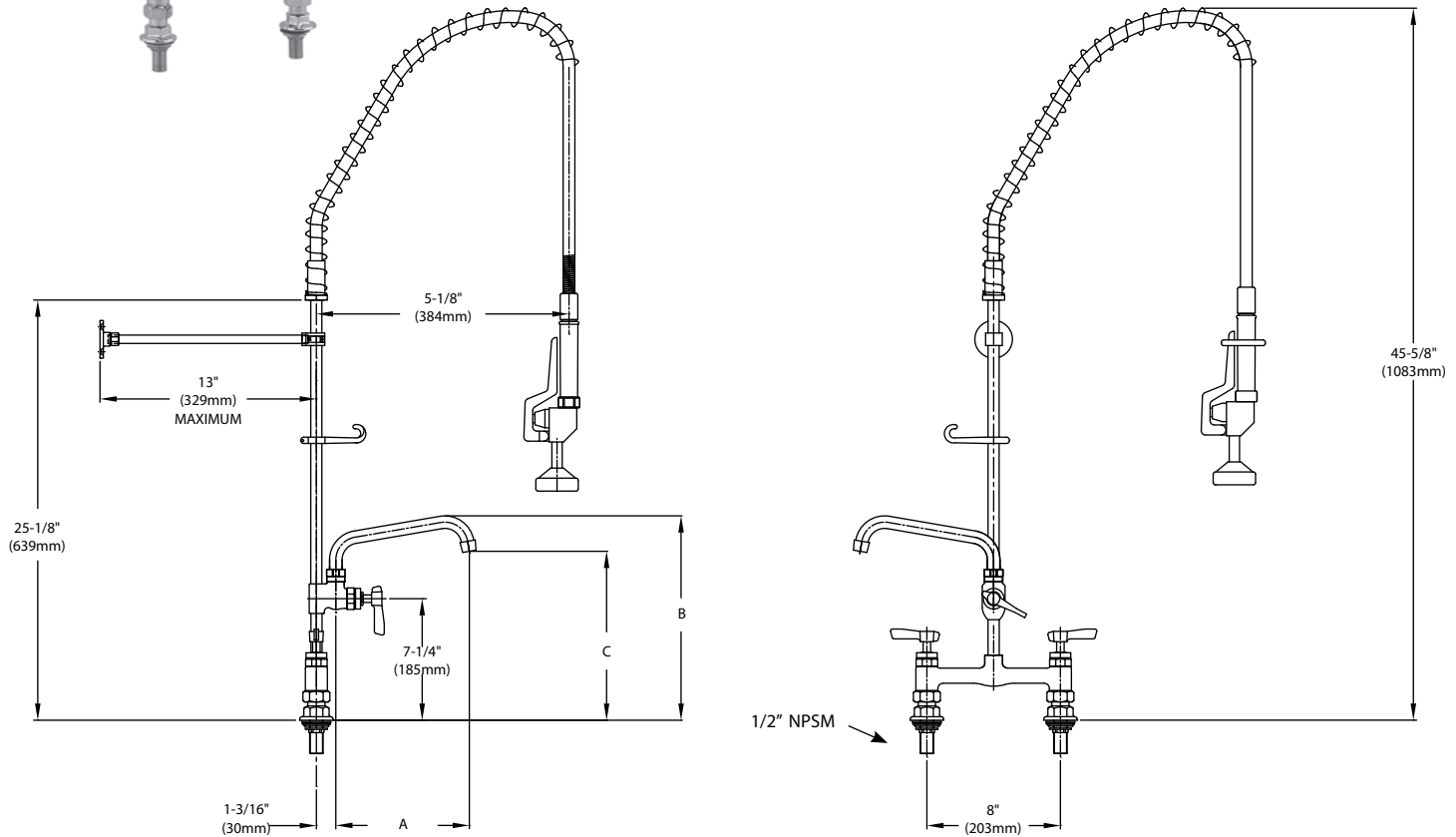


PRE-RINSE, DECK MOUNT, ELEVATED BRIDGE, 8" O.C., ADD-ON FAUCET KL60-1000-AF SERIES



Model	Flow Rate	Valves	Spring	A	B	C
KL60-1000-AF1	1.6GPM	Compression	Chrome Plated	6" (152mm)	11-13/16" (300mm)	9-9/16" (243mm)
KL60-1100-AF1		Ceramic				
KL60-1000-AF2		Compression		8" (203mm)	12-1/4" (311mm)	10-1/8" (257mm)
KL60-1100-AF2		Ceramic				
KL60-1000-AF3		Compression		10" (254mm)	12-9/16" (319mm)	10-1/2" (266mm)
KL60-1100-AF3		Ceramic				
KL60-1000-AF4		Compression		12" (305mm)	13-3/16" (335mm)	10-15/16" (278mm)
KL60-1100-AF4		Ceramic				
KL60-1000-AF5		Compression		14" (356mm)	13-35/48" (348mm)	11-3/8" (289mm)
KL60-1100-AF5		Ceramic				
KL60-1000-AF6		Compression		16" (406mm)	14-1/8" (359mm)	11-7/18" (302mm)
KL60-1100-AF6		Ceramic				
KL60-1000-AF7*		Compression		18" (457mm)	13-3/8" (338mm)	15-9/16" (395mm)
KL60-1100-AF7*		Ceramic				

*Double jointed spout
For PowerPulse™ spray head configuration, use prefix "KLP"
Approximate shipping weight - 13 lb
Warranty - 3 years parts



For service parts breakdown, refer to page 318.

COMPLIES WITH:
THE FEDERAL "REDUCTION OF LEAD
IN DRINKING WATER ACT" -
2011 - US SENATE BILL NO. S.3874
NSF/ANSI 61/9, ANNEX G

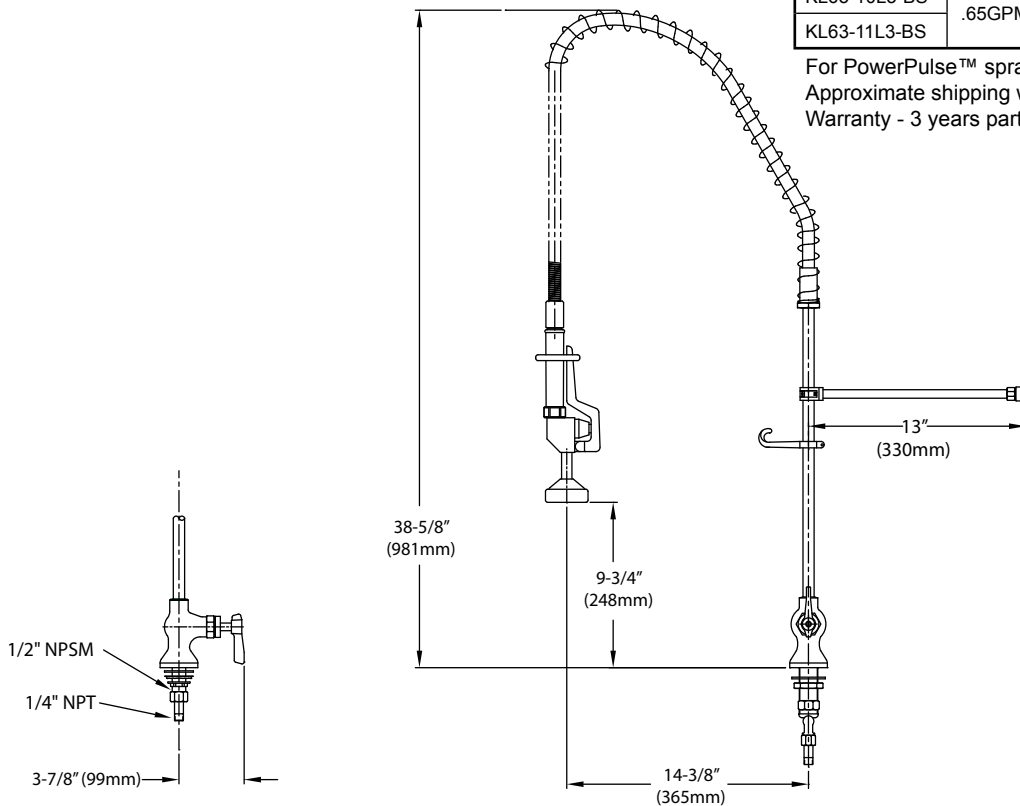


PRE-RINSE, SINGLE DECK MOUNT, KL63-1000 SERIES



Model	Flow Rate	Valves	Spring	Wall Bracket
KL63-1000	1.6GPM	Compression	Chrome Plated	None
KL63-1100		Ceramic		
KL63-10L2	1.2GPM	Compression		
KL63-11L2		Ceramic		
KL63-10L3	.65GPM	Compression		
KL63-11L3		Ceramic		
KL63-1000-S	1.6GPM	Compression	Stainless Steel	None
KL63-1100-S		Ceramic		
KL63-10L2-S	1.2GPM	Compression		
KL63-11L2-S		Ceramic		
KL63-10L3-S	.65GPM	Compression		
KL63-11L3-S		Ceramic		
KL63-1000-BR	1.6GPM	Compression	Chrome Plated	Yes
KL63-1100-BR		Ceramic		
KL63-10L2-BR	1.2GPM	Compression		
KL63-11L2-BR		Ceramic		
KL63-10L3-BR	.65GPM	Compression		
KL63-11L3-BR		Ceramic		
KL63-1000-BS	1.6GPM	Compression	Stainless Steel	Yes
KL63-1100-BS		Ceramic		
KL63-10L2-BS	1.2GPM	Compression		
KL63-11L2-BS		Ceramic		
KL63-10L3-BS	.65GPM	Compression		
KL63-11L3-BS		Ceramic		

For PowerPulse™ spray head configuration, use prefix "KLP"
 Approximate shipping weight - 10 lb
 Warranty - 3 years parts



NOTE: To add mixing valve, add "MV" to model number.
 Example - KL63-1000-BRMV

For service parts breakdown, refer to page 325.

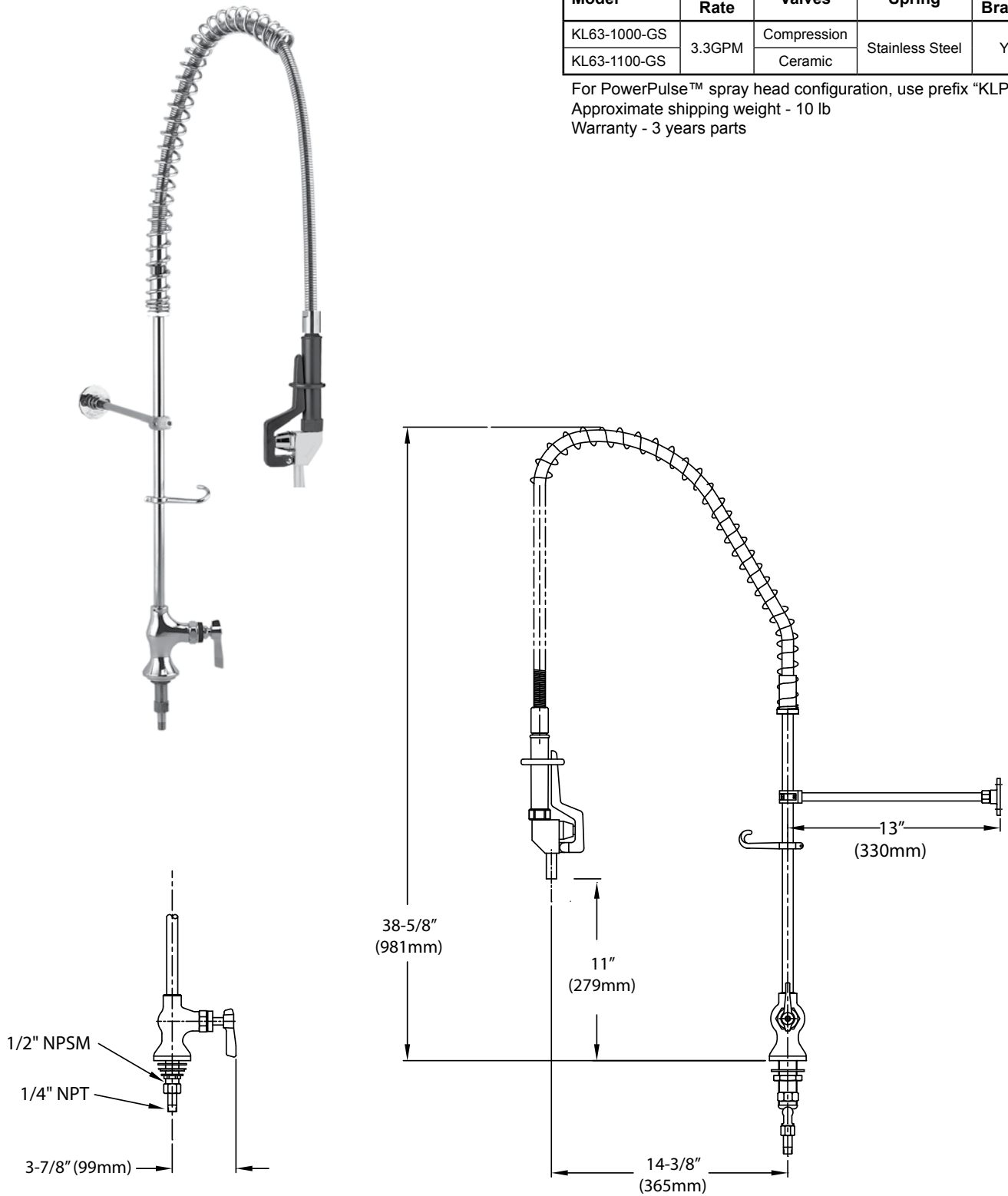
COMPLIES WITH:
 THE FEDERAL "REDUCTION OF LEAD
 IN DRINKING WATER ACT" -
 2011 - US SENATE BILL NO. S.3874
 NSF/ANSI 61/9, ANNEX G



GLASS FILLER, SINGLE HOLE DECK MOUNT KL63-1000-GF SERIES

Model	Flow Rate	Valves	Spring	Wall Bracket
KL63-1000-GS	3.3GPM	Compression	Stainless Steel	Yes
KL63-1100-GS		Ceramic		

For PowerPulse™ spray head configuration, use prefix "KLP"
 Approximate shipping weight - 10 lb
 Warranty - 3 years parts



For service parts breakdown, refer to page 325.

COMPLIES WITH:
 THE FEDERAL "REDUCTION OF LEAD
 IN DRINKING WATER ACT" -
 2011 - US SENATE BILL NO. S.3874
 NSF/ANSI 61/9, ANNEX G

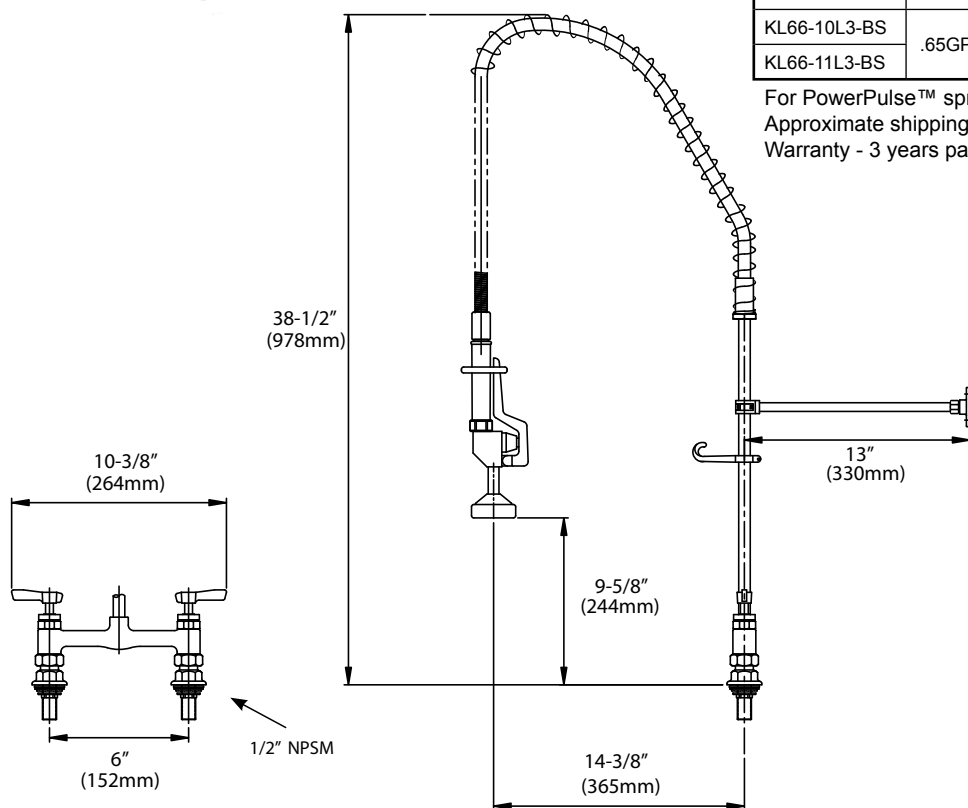


PRE-RINSE, DECK MOUNT, ELEVATED BRIDGE, 6" O.C. KL66-1000 SERIES



Model	Flow Rate	Valves	Spring	Wall Bracket		
KL66-1000	1.6GPM	Compression	Chrome Plated	None		
KL66-1100		Ceramic				
KL66-10L2	1.2GPM	Compression				
KL66-11L2		Ceramic				
KL66-10L3	.65GPM	Compression				
KL66-11L3		Ceramic				
KL66-1000-S	1.6GPM	Compression			Stainless Steel	None
KL66-1100-S		Ceramic				
KL66-10L2-S	1.2GPM	Compression				
KL66-11L2-S		Ceramic				
KL66-10L3-S	.65GPM	Compression				
KL66-11L3-S		Ceramic				
KL66-1000-BR	1.6GPM	Compression	Chrome Plated	Yes		
KL66-1100-BR		Ceramic				
KL66-10L2-BR	1.2GPM	Compression				
KL66-11L2-BR		Ceramic				
KL66-10L3-BR	.65GPM	Compression				
KL66-11L3-BR		Ceramic				
KL66-1000-BS	1.6GPM	Compression			Stainless Steel	Yes
KL66-1100-BS		Ceramic				
KL66-10L2-BS	1.2GPM	Compression				
KL66-11L2-BS		Ceramic				
KL66-10L3-BS	.65GPM	Compression				
KL66-11L3-BS		Ceramic				

For PowerPulse™ spray head configuration, use prefix "KLP"
Approximate shipping weight - 11 lb
Warranty - 3 years parts



For service parts breakdown, refer to page 331.

COMPLIES WITH:
THE FEDERAL "REDUCTION OF LEAD
IN DRINKING WATER ACT" -
2011 - US SENATE BILL NO. S.3874
NSF/ANSI 61/9, ANNEX G



PRE-RINSE, DECK MOUNT, ELEVATED BRIDGE, 6" O.C., ADD-ON FAUCET KL66-1000-AF SERIES



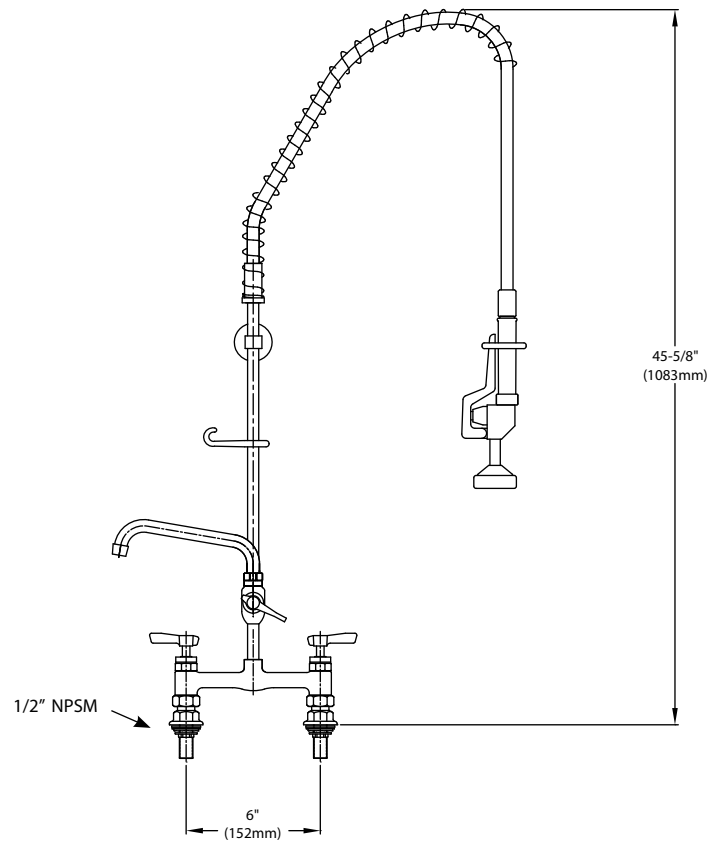
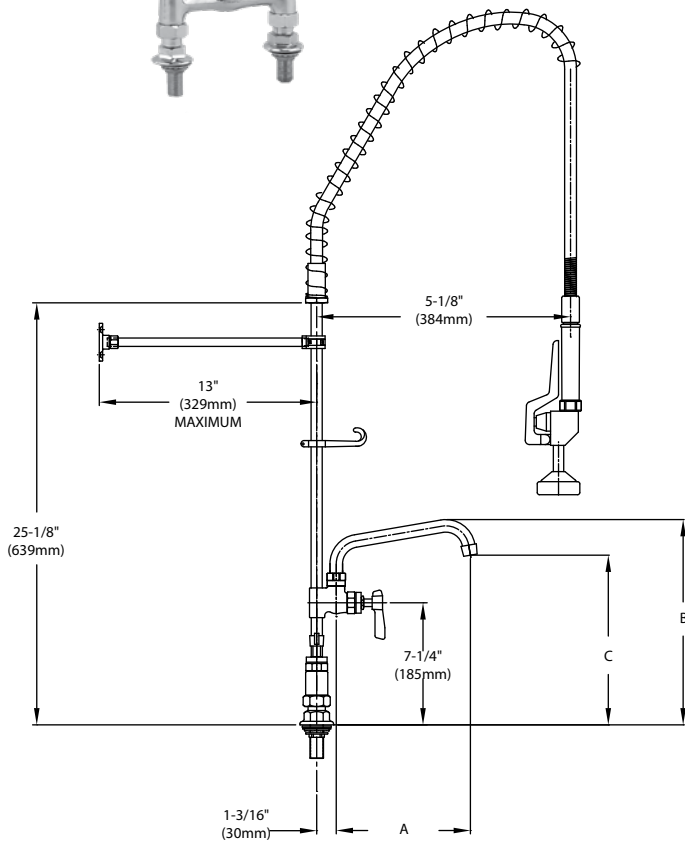
Model	Flow Rate	Valves	Spring	A	B	C
KL66-1000-AF1	1.6GPM	Compression	Chrome Plated	6" (152mm)	11-13/16" (300mm)	9-9/16" (243mm)
KL66-1100-AF1		Ceramic				
KL66-1000-AF2		Compression		8" (203mm)	12-1/4" (311mm)	10-1/8" (257mm)
KL66-1100-AF2		Ceramic				
KL66-1000-AF3		Compression		10" (254mm)	12-9/16" (319mm)	10-1/2" (266mm)
KL66-1100-AF3		Ceramic				
KL66-1000-AF4		Compression		12" (305mm)	13-3/16" (335mm)	10-15/16" (278mm)
KL66-1100-AF4		Ceramic				
KL66-1000-AF5		Compression		14" (356mm)	13-35/48" (348mm)	11-3/8" (289mm)
KL66-1100-AF5		Ceramic				
KL66-1000-AF6		Compression		16" (406mm)	14-1/8" (359mm)	11-7/18" (302mm)
KL66-1100-AF6		Ceramic				
KL66-1000-AF7*		Compression		18" (457mm)	13-3/8" (338mm)	15-9/16" (395mm)
KL66-1100-AF7*		Ceramic				

*Double jointed spout

For PowerPulse™ spray head configuration, use prefix "KLP"

Approximate shipping weight - 13 lb

Warranty - 3 years parts



For service parts breakdown, refer to page 331.

COMPLIES WITH:
THE FEDERAL "REDUCTION OF LEAD
IN DRINKING WATER ACT" -
2011 - US SENATE BILL NO. S.3874
NSF/ANSI 61/9, ANNEX G



PRE-RINSE, SPLASH MOUNT KL69-1000 SERIES



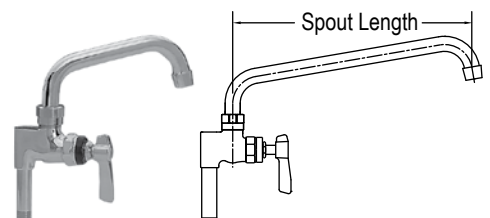
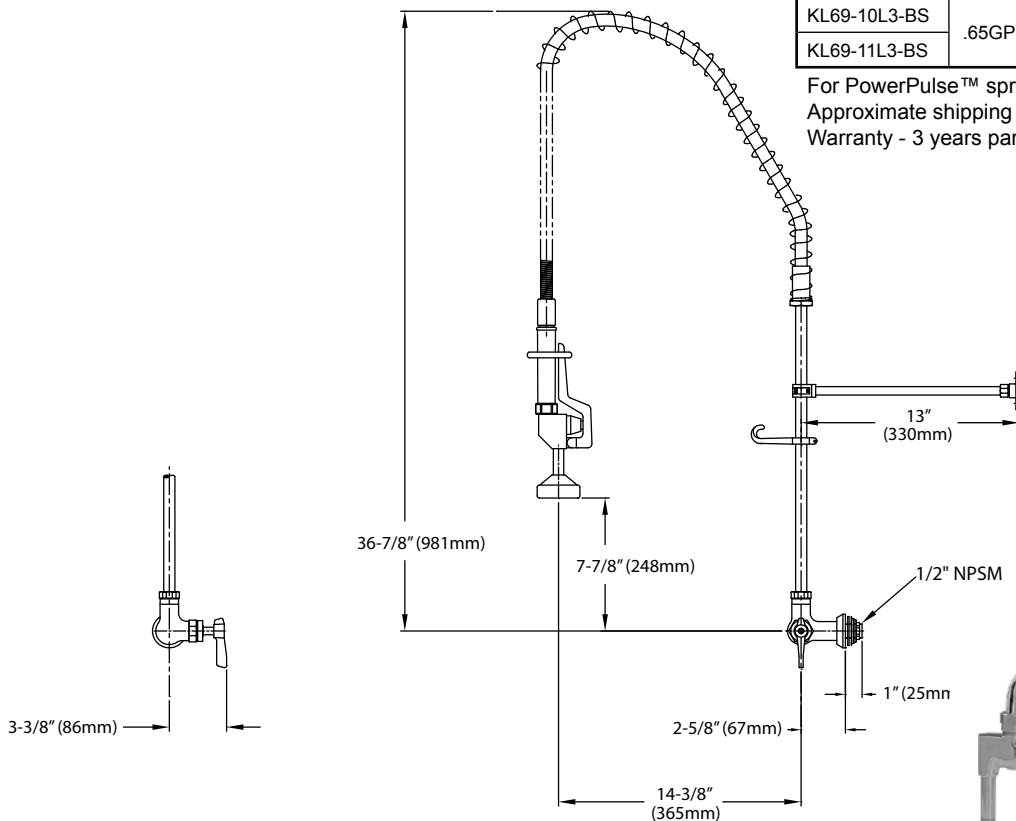
Model	Flow Rate	Valves	Spring	Wall Bracket
KL69-1000	1.6GPM	Compression	Chrome Plated	None
KL69-1100		Ceramic		
KL69-10L2	1.2GPM	Compression		
KL69-11L2		Ceramic		
KL69-10L3	.65GPM	Compression		
KL69-11L3		Ceramic		
KL69-1000-S	1.6GPM	Compression	Stainless Steel	None
KL69-1100-S		Ceramic		
KL69-10L2-S	1.2GPM	Compression		
KL69-11L2-S		Ceramic		
KL69-10L3-S	.65GPM	Compression		
KL69-11L3-S		Ceramic		
KL69-1000-BR	1.6GPM	Compression	Chrome Plated	Yes
KL69-1100-BR		Ceramic		
KL69-10L2-BR	1.2GPM	Compression		
KL69-11L2-BR		Ceramic		
KL69-10L3-BR	.65GPM	Compression		
KL69-11L3-BR		Ceramic		
KL69-1000-BS	1.6GPM	Compression	Stainless Steel	Yes
KL69-1100-BS		Ceramic		
KL69-10L2-BS	1.2GPM	Compression		
KL69-11L2-BS		Ceramic		
KL69-10L3-BS	.65GPM	Compression		
KL69-11L3-BS		Ceramic		

For PowerPulse™ spray head configuration, use prefix "KLP"
 Approximate shipping weight - 11 lb
 Warranty - 3 years parts

ADD-ON FAUCETS

Model	Spout Length
KL55-7006	6" (152mm)
KL55-7008	8" (203mm)
KL55-7010	10" (254mm)
KL55-7012	12" (305mm)
KL55-7014	14" (356mm)
KL55-7016	16" (406mm)
KL55-7018*	18" (457mm)
KL55-7018ASE1	18" (457mm)
KL55-7024*	24" (610mm)

*Double-jointed spout



COMPLIES WITH:
 THE FEDERAL "REDUCTION OF LEAD
 IN DRINKING WATER ACT" -
 2011 - US SENATE BILL NO. S.3874
 NSF/ANSI 61/9, ANNEX G



For service parts breakdown, refer to page 337.

PRE-RINSE, SPLASH MOUNT KL71-1000 SERIES



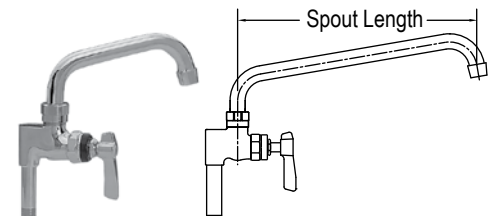
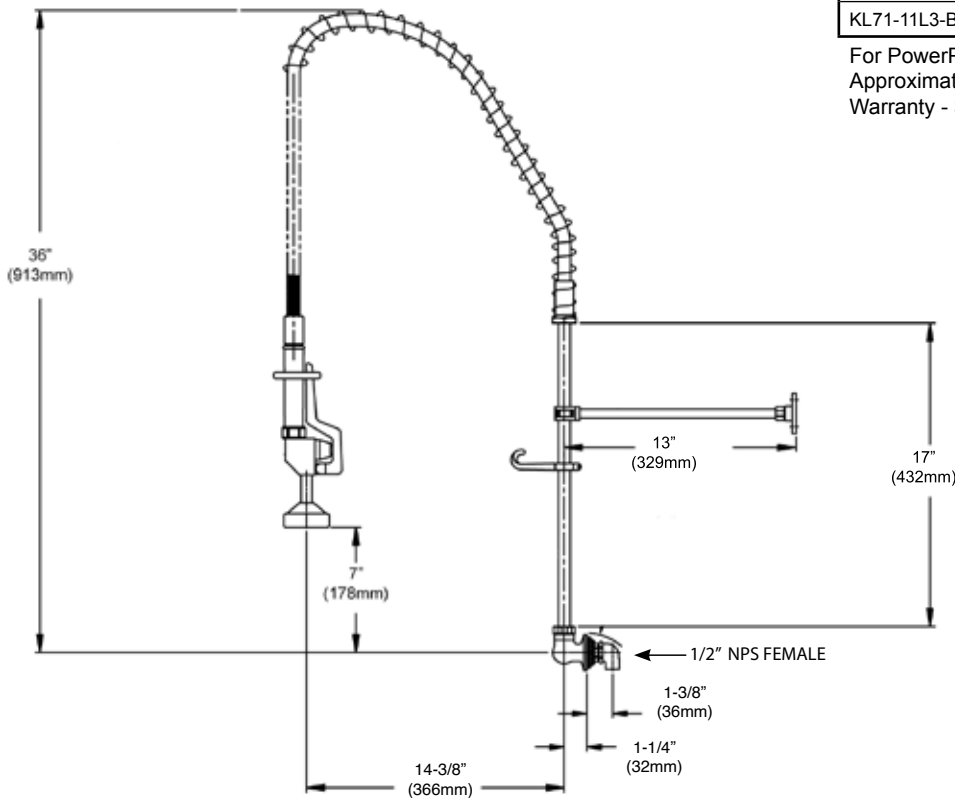
Model	Flow Rate	Spring	Wall Bracket
KL71-1000	1.6GPM	Chrome Plated	None
KL71-1100			
KL71-10L2	1.2GPM		
KL71-11L2			
KL71-10L3	.65GPM		
KL71-11L3			
KL71-1000-S	1.6GPM	Stainless Steel	None
KL71-1100-S			
KL71-10L2-S	1.2GPM		
KL71-11L2-S			
KL71-10L3-S	.65GPM		
KL71-11L3-S			
KL71-1000-BR	1.6GPM	Chrome Plated	Yes
KL71-1100-BR			
KL71-10L2-BR	1.2GPM		
KL71-11L2-BR			
KL71-10L3-BR	.65GPM		
KL71-11L3-BR			
KL71-1000-BS	1.6GPM	Stainless Steel	Yes
KL71-1100-BS			
KL71-10L2-BS	1.2GPM		
KL71-11L2-BS			
KL71-10L3-BS	.65GPM		
KL71-11L3-BS			

For PowerPulse™ spray head configuration, use prefix "KLP"
Approximate shipping weight - 11 lb
Warranty - 3 years parts

ADD-ON FAUCETS

Model	Spout Length
KL55-7006	6" (152mm)
KL55-7008	8" (203mm)
KL55-7010	10" (254mm)
KL55-7012	12" (305mm)
KL55-7014	14" (356mm)
KL55-7016	16" (406mm)
KL55-7018*	18" (457mm)
KL55-7018ASE1	18" (457mm)
KL55-7024*	24" (610mm)

*Double-jointed spout



COMPLIES WITH:
THE FEDERAL "REDUCTION OF LEAD
IN DRINKING WATER ACT" -
2011 - US SENATE BILL NO. S.3874
NSF/ANSI 61/9, ANNEX G



For service parts breakdown, refer to page 342.

PRE-RINSE, SINGLE DECK MOUNT KL73-1000 SERIES



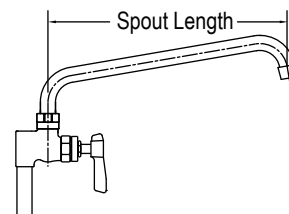
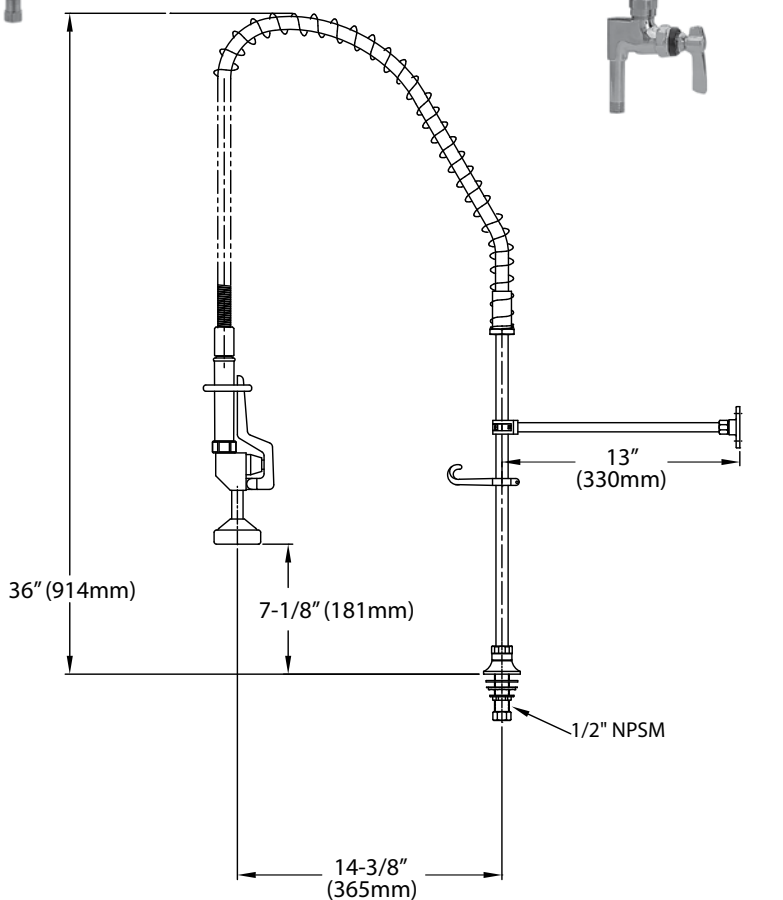
Model	Flow Rate	Spring	Wall Bracket
KL73-1000	1.6GPM	Chrome Plated	None
KL73-10L2	1.2GPM		
KL73-10L3	.65GPM		
KL73-1000-S	1.6GPM	Stainless Steel	None
KL73-10L2-S	1.2GPM		
KL73-10L3-S	.65GPM		
KL73-1000-BR	1.6GPM	Chrome Plated	Yes
KL73-10L2-BR	1.2GPM		
KL73-10L3-BR	.65GPM		
KL73-1000-BS	1.6GPM	Stainless Steel	Yes
KL73-10L2-BS	1.2GPM		
KL73-10L3-BS	.65GPM		

For PowerPulse™ spray head configuration, use prefix "KLP"
 Approximate shipping weight - 11 lb
 Warranty - 3 years parts

ADD-ON FAUCETS

Model	Spout Length
KL55-7006	6" (152mm)
KL55-7008	8" (203mm)
KL55-7010	10" (254mm)
KL55-7012	12" (305mm)
KL55-7014	14" (356mm)
KL55-7016	16" (406mm)
KL55-7018*	18" (457mm)
KL55-7018ASE1	18" (457mm)
KL55-7024*	24" (610mm)

*Double-jointed spout



For service parts breakdown, refer to page 347.

COMPLIES WITH:
 THE FEDERAL "REDUCTION OF LEAD
 IN DRINKING WATER ACT" -
 2011 - US SENATE BILL NO. S.3874
 NSF/ANSI 61/9, ANNEX G



PRE-RINSE, DECK MOUNT, SWIVEL ARM KL50-5000 SERIES



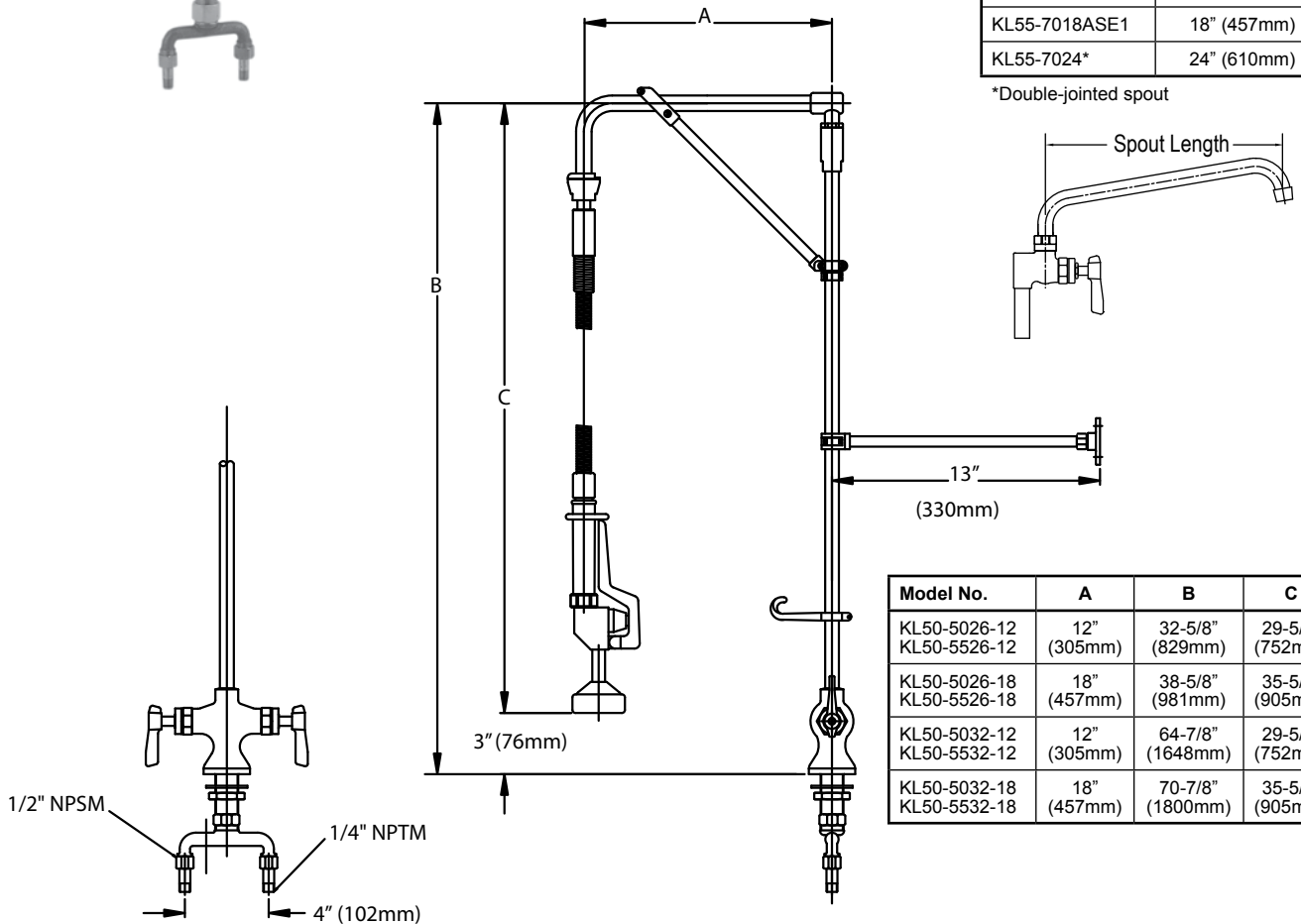
Model	Flow Rate	Swivel Arm Length	Riser Length	Support Bracket
KL50-5026-12	1.6GPM	12"	26"	None
KL50-5026-18		18"		
KL50-5032-12		12"	32"	
KL50-5032-18		18"		
KL50-5526-12	1.6GPM	12"	26"	Standard
KL50-5526-18		18"		
KL50-5532-12		12"	32"	
KL50-5532-18		18"		

For PowerPulse™ spray head configuration, use prefix "KLP"
Approximate shipping weight - 13 lb
Warranty - 3 years parts

ADD-ON FAUCETS

Model	Spout Length
KL55-7006	6" (152mm)
KL55-7008	8" (203mm)
KL55-7010	10" (254mm)
KL55-7012	12" (305mm)
KL55-7014	14" (356mm)
KL55-7016	16" (406mm)
KL55-7018*	18" (457mm)
KL55-7018ASE1	18" (457mm)
KL55-7024*	24" (610mm)

*Double-jointed spout



Model No.	A	B	C
KL50-5026-12 KL50-5526-12	12" (305mm)	32-5/8" (829mm)	29-5/8" (752mm)
KL50-5026-18 KL50-5526-18	18" (457mm)	38-5/8" (981mm)	35-5/8" (905mm)
KL50-5032-12 KL50-5532-12	12" (305mm)	64-7/8" (1648mm)	29-5/8" (752mm)
KL50-5032-18 KL50-5532-18	18" (457mm)	70-7/8" (1800mm)	35-5/8" (905mm)

For service parts breakdown, refer to page 300.

COMPLIES WITH:
THE FEDERAL "REDUCTION OF LEAD
IN DRINKING WATER ACT" -
2011 - US SENATE BILL NO. S.3874
NSF/ANSI 61/9, ANNEX G



PRE-RINSE, SPLASH MOUNT, 8" O.C., SWIVEL ARM KL53-5000 SERIES



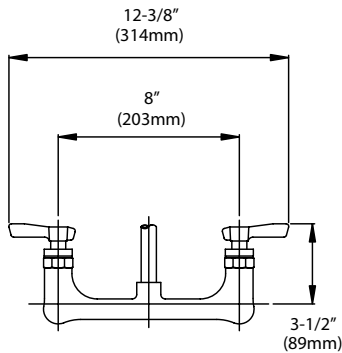
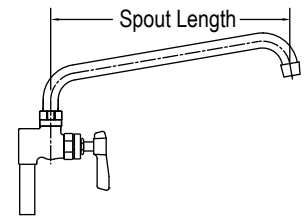
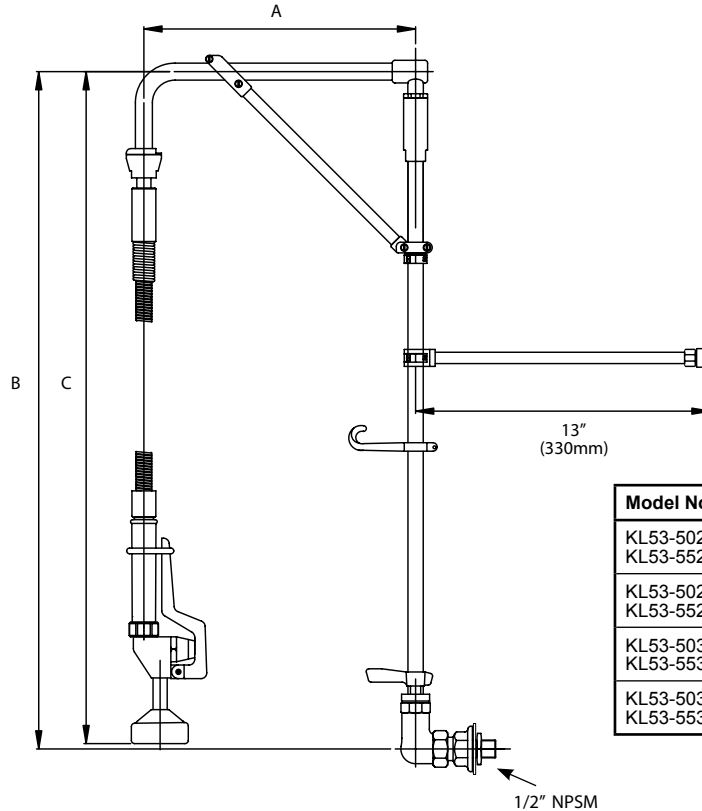
Model	Flow Rate	Swivel Arm Length	Riser Length	Support Bracket
KL53-5026-12	1.6GPM	12"	26"	None
KL53-5026-18		18"		
KL53-5032-12		12"	32"	
KL53-5032-18		18"		
KL53-5526-12	1.6GPM	12"	26"	Standard
KL53-5526-18		18"		
KL53-5532-12		12"	32"	
KL53-5532-18		18"		

For PowerPulse™ spray head configuration, use prefix "KLP"
Approximate shipping weight - 13 lb
Warranty - 3 years parts

ADD-ON FAUCETS

Model	Spout Length
KL55-7006	6" (152mm)
KL55-7008	8" (203mm)
KL55-7010	10" (254mm)
KL55-7012	12" (305mm)
KL55-7014	14" (356mm)
KL55-7016	16" (406mm)
KL55-7018*	18" (457mm)
KL55-7018ASE1	18" (457mm)
KL55-7024*	24" (610mm)

*Double-jointed spout



Model No.	A	B	C
KL53-5026-12	12"	29-7/8"	29-5/8"
KL53-5526-12	(305mm)	(759mm)	(752mm)
KL53-5026-18	18"	35-7/8"	35-5/8"
KL53-5526-18	(457mm)	(911mm)	(905mm)
KL53-5032-12	12"	61-7/8"	29-5/8"
KL53-5532-12	(305mm)	(1572mm)	(752mm)
KL53-5032-18	18"	67-7/8"	35-5/8"
KL53-5532-18	(457mm)	(1724mm)	(905mm)

For service parts breakdown, refer to page 307.

COMPLIES WITH:
THE FEDERAL "REDUCTION OF LEAD
IN DRINKING WATER ACT" -
2011 - US SENATE BILL NO. S.3874
NSF/ANSI 61/9, ANNEX G



PRE-RINSE, DECK MOUNT, ELEVATED BRIDGE, SWIVEL ARM KL56-5000 SERIES



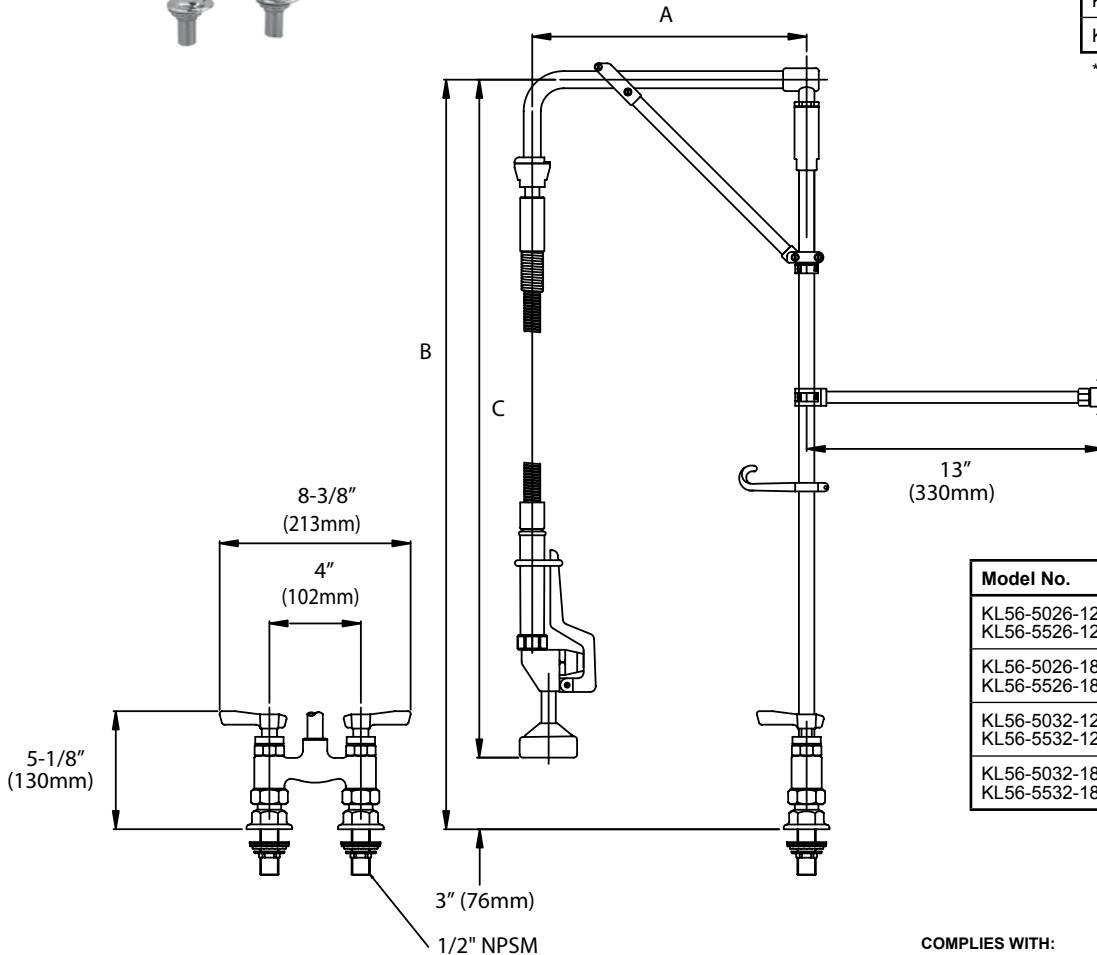
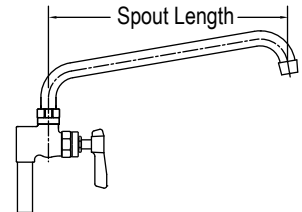
Model	Flow Rate	Swivel Arm Length	Riser Length	Support Bracket
KL56-5026-12	1.6GPM	12"	26"	None
KL56-5026-18		18"		
KL56-5032-12		12"	32"	
KL56-5032-18		18"		
KL56-5526-12	1.6GPM	12"	26"	Standard
KL56-5526-18		18"		
KL56-5532-12		12"	32"	
KL56-5532-18		18"		

For PowerPulse™ spray head configuration, use prefix "KLP"
Approximate shipping weight - 13 lb
Warranty - 3 years parts

ADD-ON FAUCETS

Model	Spout Length
KL55-7006	6" (152mm)
KL55-7008	8" (203mm)
KL55-7010	10" (254mm)
KL55-7012	12" (305mm)
KL55-7014	14" (356mm)
KL55-7016	16" (406mm)
KL55-7018*	18" (457mm)
KL55-7018ASE1	18" (457mm)
KL55-7024*	24" (610mm)

*Double-jointed spout



Model No.	A	B	C
KL56-5026-12	12"	32-5/8"	29-5/8"
KL56-5526-12	(305mm)	(829mm)	(752mm)
KL56-5026-18	18"	38-5/8"	35-5/8"
KL56-5526-18	(457mm)	(981mm)	(905mm)
KL56-5032-12	12"	64-5/8"	29-5/8"
KL56-5532-12	(305mm)	(1641mm)	(752mm)
KL56-5032-18	18"	70-5/8"	35-5/8"
KL56-5532-18	(457mm)	(1794mm)	(905mm)

For service parts breakdown, refer to page 314.

COMPLIES WITH:
THE FEDERAL "REDUCTION OF LEAD
IN DRINKING WATER ACT" -
2011 - US SENATE BILL NO. S.3874
NSF/ANSI 61/9, ANNEX G



PRE-RINSE, DECK MOUNT, ELEVATED BRIDGE, SWIVEL ARM KL60-5000 SERIES



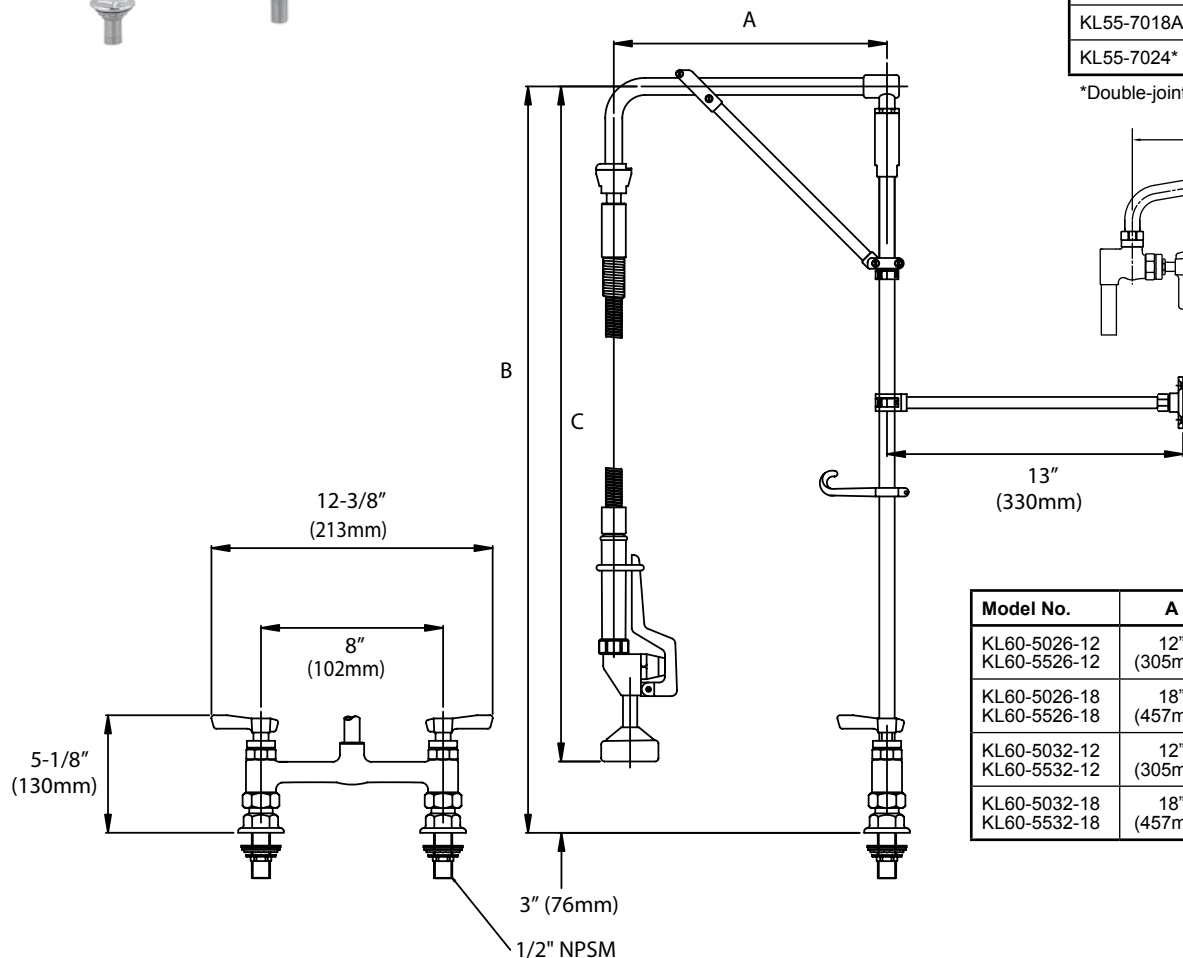
Model	Flow Rate	Swivel Arm Length	Riser Length	Support Bracket
KL60-5026-12	1.6GPM	12"	26"	None
KL60-5026-18		18"		
KL60-5032-12		12"	32"	
KL60-5032-18		18"		
KL60-5526-12	1.6GPM	12"	26"	Standard
KL60-5526-18		18"		
KL60-5532-12		12"	32"	
KL60-5532-18		18"		

For PowerPulse™ spray head configuration, use prefix "KLP"
Approximate shipping weight - 13 lb
Warranty - 3 years parts

ADD-ON FAUCETS

Model	Spout Length
KL55-7006	6" (152mm)
KL55-7008	8" (203mm)
KL55-7010	10" (254mm)
KL55-7012	12" (305mm)
KL55-7014	14" (356mm)
KL55-7016	16" (406mm)
KL55-7018*	18" (457mm)
KL55-7018ASE1	18" (457mm)
KL55-7024*	24" (610mm)

*Double-jointed spout



Model No.	A	B	C
KL60-5026-12 KL60-5526-12	12" (305mm)	32-5/8" (829mm)	29-5/8" (752mm)
KL60-5026-18 KL60-5526-18	18" (457mm)	38-5/8" (981mm)	35-5/8" (905mm)
KL60-5032-12 KL60-5532-12	12" (305mm)	64-5/8" (1641mm)	29-5/8" (752mm)
KL60-5032-18 KL60-5532-18	18" (457mm)	70-5/8" (1794mm)	35-5/8" (905mm)

COMPLIES WITH:
THE FEDERAL "REDUCTION OF LEAD
IN DRINKING WATER ACT" -
2011 - US SENATE BILL NO. S.3874
NSF/ANSI 61/9, ANNEX G



For service parts breakdown, refer to page 321.

PRE-RINSE, DECK MOUNT, ELEVATED BRIDGE, SWIVEL ARM KL66-5000 SERIES



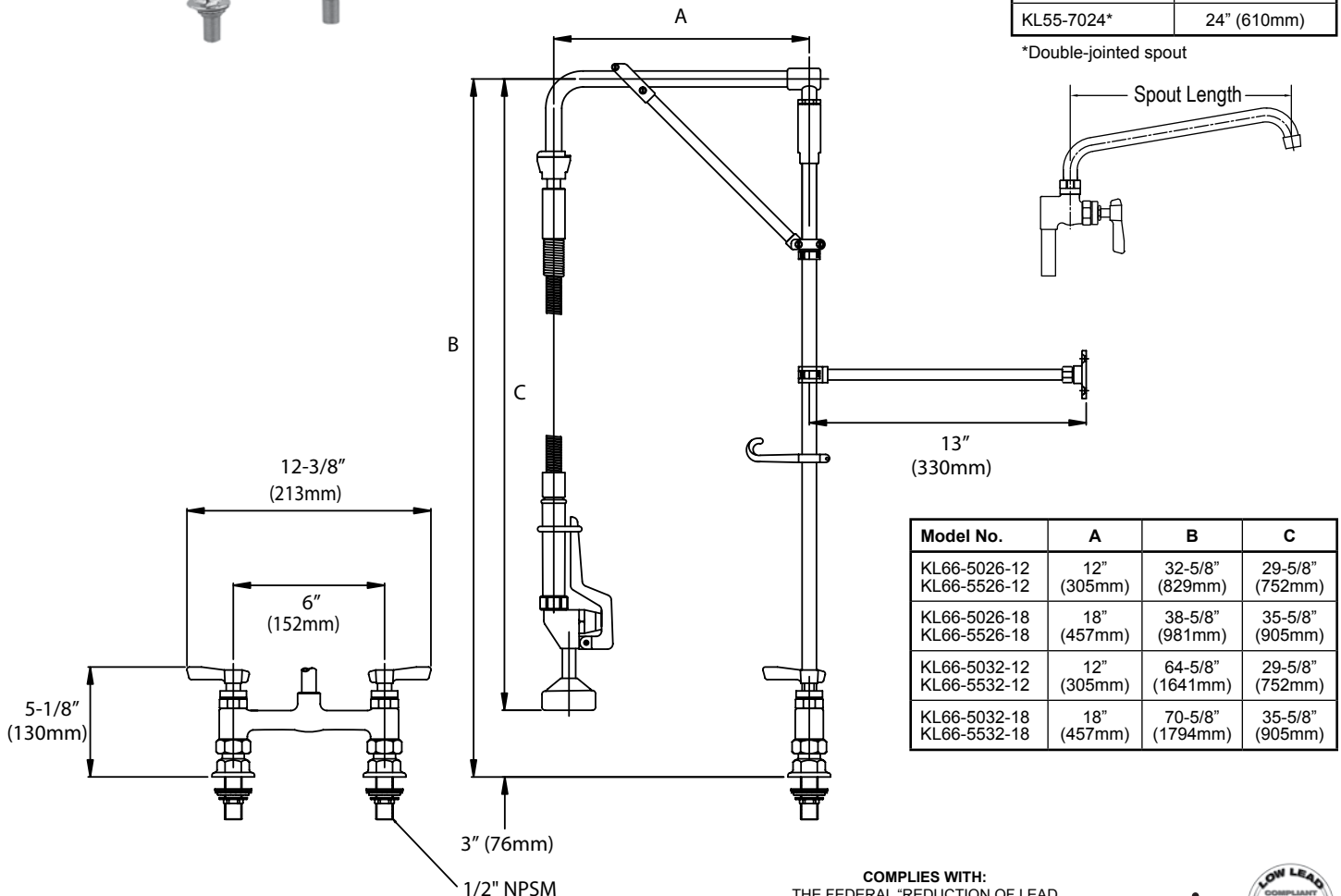
Model	Flow Rate	Swivel Arm Length	Riser Length	Support Bracket
KL66-5026-12	1.6GPM	12"	26"	None
KL66-5026-18		18"	26"	
KL66-5032-12		12"	32"	
KL66-5032-18		18"	32"	
KL66-5526-12	1.6GPM	12"	26"	Standard
KL66-5526-18		18"	26"	
KL66-5532-12		12"	32"	
KL66-5532-18		18"	32"	

For PowerPulse™ spray head configuration, use prefix "KLP"
Approximate shipping weight - 13 lb
Warranty - 3 years parts

ADD-ON FAUCETS

Model	Spout Length
KL55-7006	6" (152mm)
KL55-7008	8" (203mm)
KL55-7010	10" (254mm)
KL55-7012	12" (305mm)
KL55-7014	14" (356mm)
KL55-7016	16" (406mm)
KL55-7018*	18" (457mm)
KL55-7018ASE1	18" (457mm)
KL55-7024*	24" (610mm)

*Double-jointed spout



Model No.	A	B	C
KL66-5026-12	12"	32-5/8"	29-5/8"
KL66-5526-12	(305mm)	(829mm)	(752mm)
KL66-5026-18	18"	38-5/8"	35-5/8"
KL66-5526-18	(457mm)	(981mm)	(905mm)
KL66-5032-12	12"	64-5/8"	29-5/8"
KL66-5532-12	(305mm)	(1641mm)	(752mm)
KL66-5032-18	18"	70-5/8"	35-5/8"
KL66-5532-18	(457mm)	(1794mm)	(905mm)

For service parts breakdown, refer to page 334.

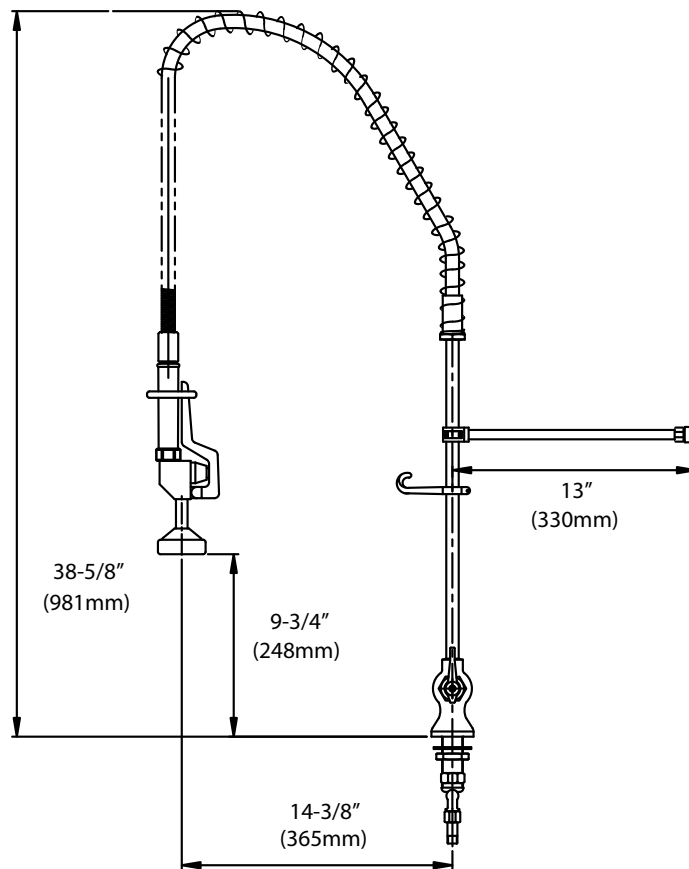
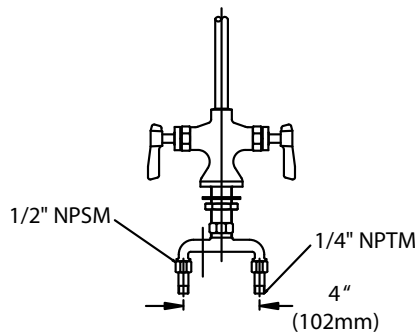
COMPLIES WITH:
THE FEDERAL "REDUCTION OF LEAD
IN DRINKING WATER ACT" -
2011 - US SENATE BILL NO. S.3874
NSF/ANSI 61/9, ANNEX G



PRE-RINSE, COMMERCIAL, SINGLE HOLE DECK MOUNT KC50-1000 SERIES

Model	Flow Rate	Valves	Spring	Wall Bracket
KC50-1000	1.6GPM	Compression	Chrome Plated	None
KC50-1000-BR				Yes

For PowerPulse™ spray head configuration, use prefix "KLP"
 Approximate shipping weight - 13 lb
 Warranty - 2 years parts / 1 year hose



COMPLIES WITH:
 THE FEDERAL "REDUCTION OF LEAD
 IN DRINKING WATER ACT" -
 2011 - US SENATE BILL NO. S.3874
 NSF/ANSI 61/9, ANNEX G



PRE-RINSE, COMMERCIAL, SINGLE HOLE DECK MOUNT, ADD-ON FAUCET KC50-1000-AF SERIES



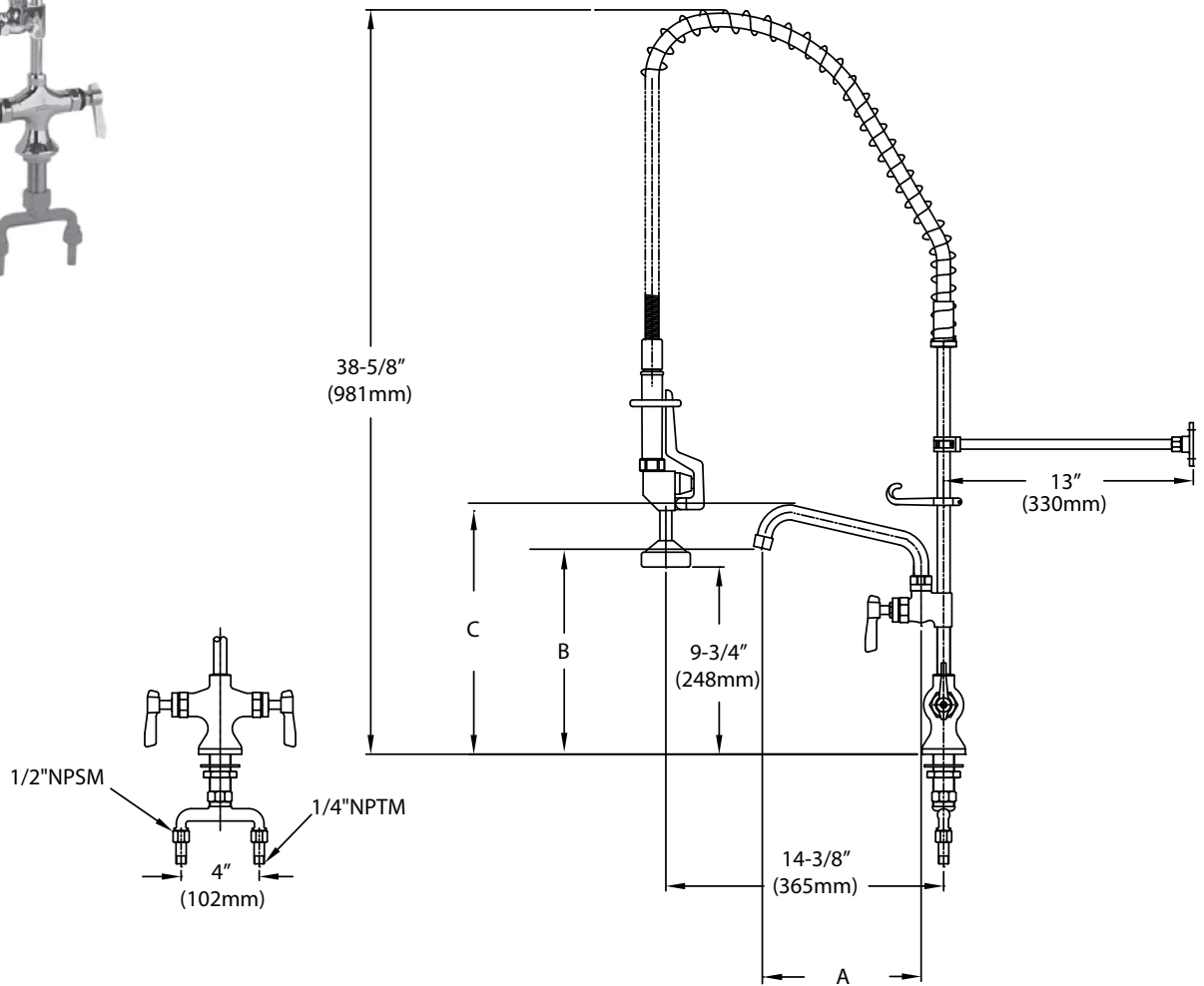
Model	Flow Rate	Valves	Spring	A	B	C
KC50-1000-AF1	1.6GPM	Compression	Chrome Plated	6" (152mm)	10-1/16" (256mm)	12-5/16" (312mm)
KC50-1100-AF1		Ceramic				
KC50-1000-AF2		Compression		8" (203mm)	10-1/2" (267mm)	12-3/4" (324mm)
KC50-1100-AF2		Ceramic				
KC50-1000-AF3		Compression		10" (254mm)	11" (279mm)	13-1/4" (336mm)
KC50-1100-AF3		Ceramic				
KC50-1000-AF4		Compression		12" (305mm)	11-7/16" (291mm)	13-11/16" (347mm)
KC50-1100-AF4		Ceramic				
KC50-1000-AF5		Compression		14" (356mm)	11-15/16" (303mm)	14-1/8" (359mm)
KC50-1100-AF5		Ceramic				
KC50-1000-AF6		Compression		16" (406mm)	12-3/8" (314mm)	14-5/8" (371mm)
KC50-1100-AF6		Ceramic				
KC50-1000-AF7*		Compression		18" (457mm)	12-7/8" (327mm)	15-1/8" (384mm)
KC50-1100-AF7*		Ceramic				

*Double jointed spout

For PowerPulse™ spray head configuration, use prefix "KLP"

Approximate shipping weight - 13 lb

Warranty - 2 years parts / 1 year hose



COMPLIES WITH:
THE FEDERAL "REDUCTION OF LEAD
IN DRINKING WATER ACT" -
2011 - US SENATE BILL NO. S.3874
NSF/ANSI 61/9, ANNEX G

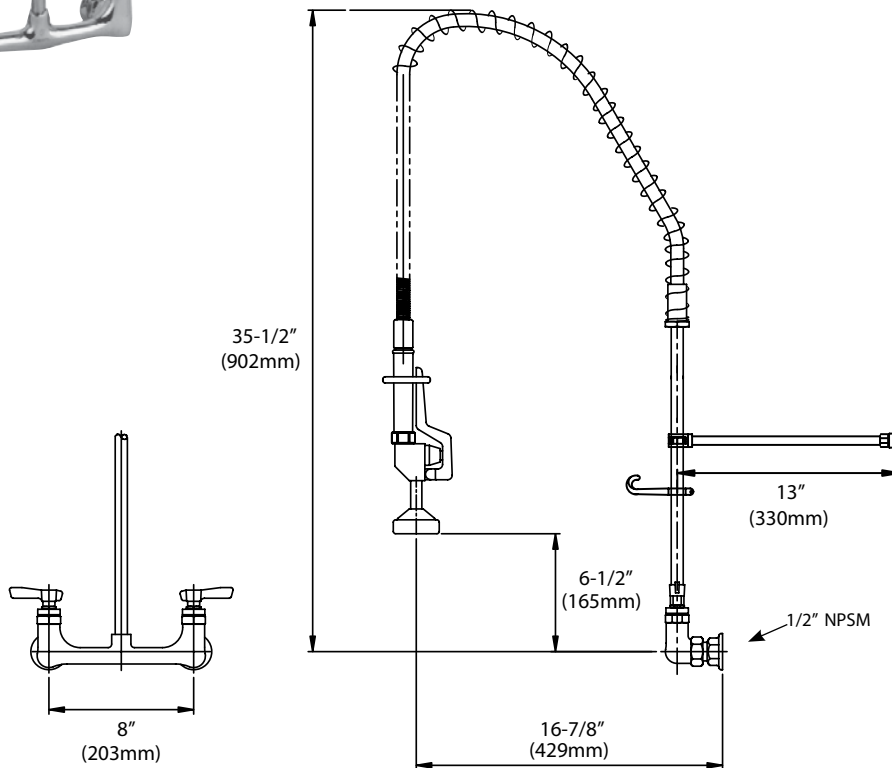


PRE-RINSE, COMMERCIAL, SPLASH MOUNT, 8" O.C. KC53-1000 SERIES



Model	Flow Rate	Valves	Spring	Wall Bracket
KC53-1000	1.6GPM	Compression	Chrome Plated	None
KC53-1000-BR				Yes

For PowerPulse™ spray head configuration, use prefix "KLP"
 Approximate shipping weight - 13 lb
 Warranty - 2 years parts / 1 year hose



COMPLIES WITH:
 THE FEDERAL "REDUCTION OF LEAD
 IN DRINKING WATER ACT" -
 2011 - US SENATE BILL NO. S.3874
 NSF/ANSI 61/9, ANNEX G



PRE-RINSE, COMMERCIAL, SPLASH MOUNT, 8" O.C., ADD-ON FAUCET KC53-1000 SERIES



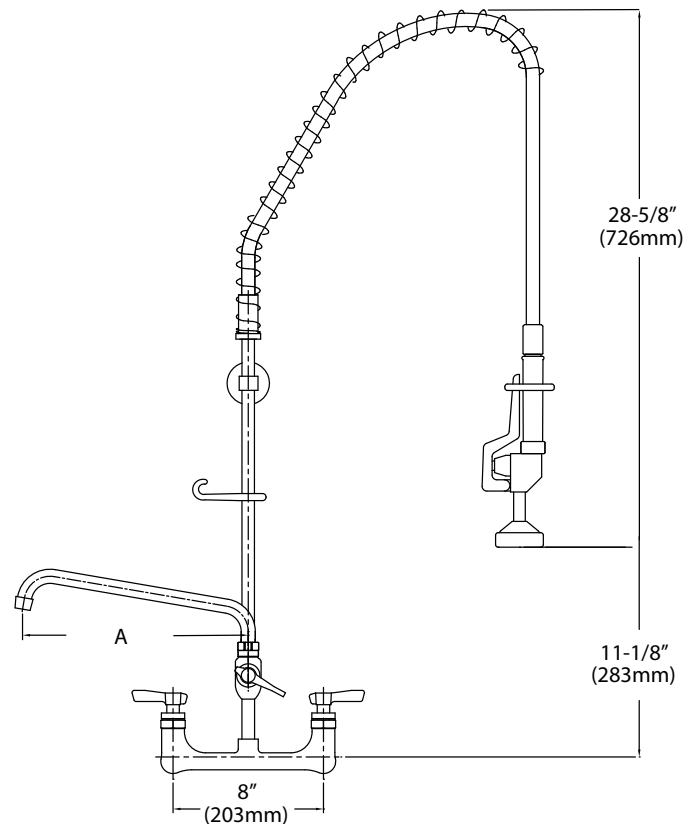
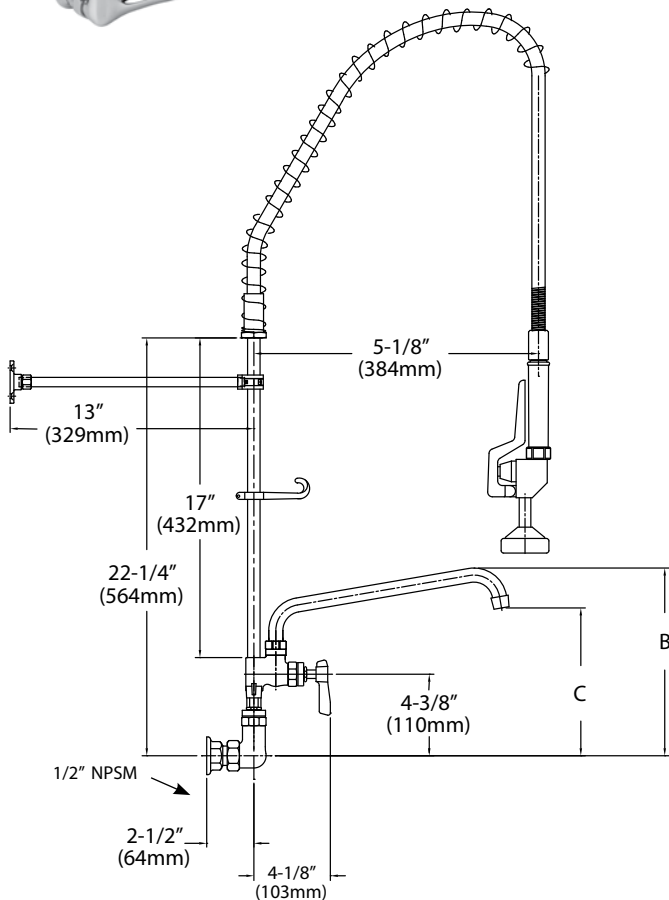
Model	Flow Rate	Valves	Spring	A	B	C
KC53-1000-AF1	1.6GPM	Compression	Chrome Plated	6" (152mm)	9-1/4" (234mm)	7" (178mm)
KC53-1100-AF1		Ceramic				
KC53-1000-AF2		Compression		8" (203mm)	9-11/16" (246mm)	7-7/16" (189mm)
KC53-1100-AF2		Ceramic				
KC53-1000-AF3		Compression		10" (254mm)	10-1/8" (258mm)	7-15/16" (201mm)
KC53-1100-AF3		Ceramic				
KC53-1000-AF4		Compression		12" (305mm)	10-5/8" (270mm)	8-3/8" (213mm)
KC53-1100-AF4		Ceramic				
KC53-1000-AF5		Compression		14" (356mm)	11-1/16" (281mm)	8-13/16" (225mm)
KC53-1100-AF5		Ceramic				
KC53-1000-AF6		Compression		16" (406mm)	11-9/16" (293mm)	9-5/16" (236mm)
KC53-1100-AF6		Ceramic				
KC53-1000-AF7*		Compression		18" (457mm)	10-3/8" (263mm)	12-5/8" (320mm)
KC53-1100-AF7*		Ceramic				

*Double jointed spout

For PowerPulse™ spray head configuration, use prefix "KLP"

Approximate shipping weight - 13 lb

Warranty - 2 years parts / 1 year hose



COMPLIES WITH:
THE FEDERAL "REDUCTION OF LEAD
IN DRINKING WATER ACT" -
2011 - US SENATE BILL NO. S.3874
NSF/ANSI 61/9, ANNEX G

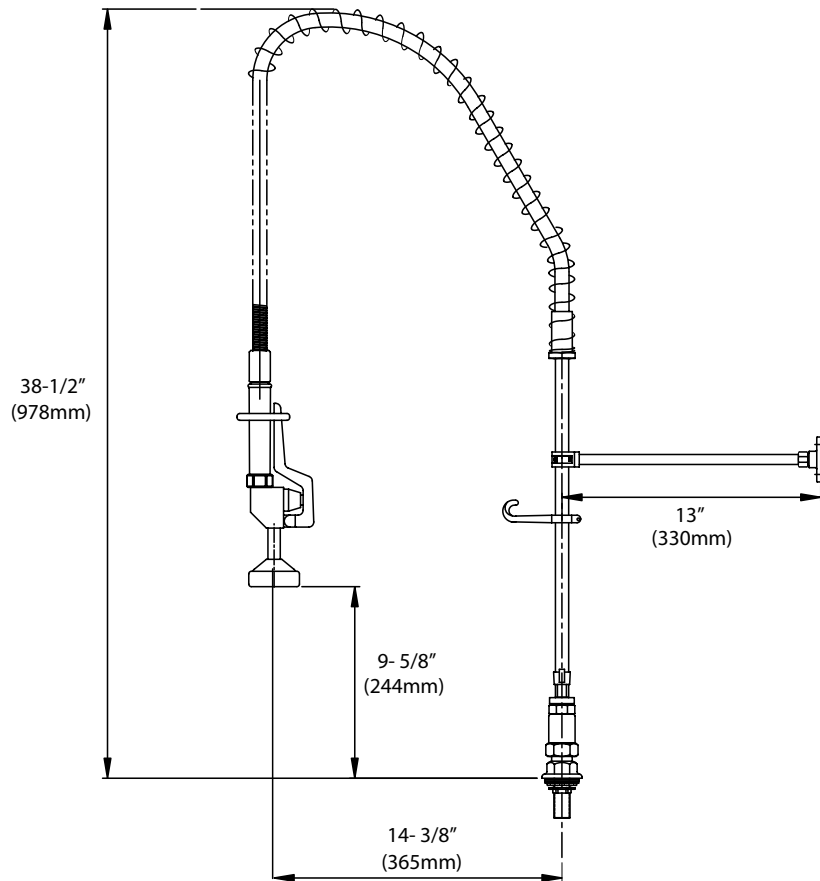
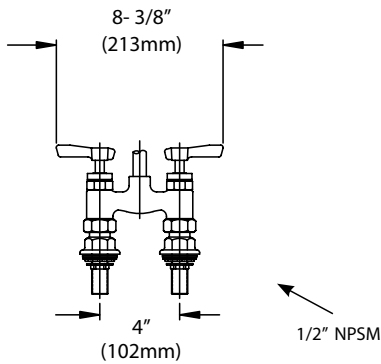


PRE-RINSE, COMMERCIAL, DECK MOUNT, ELEVATED BRIDGE, 4" O.C. KC56-1000 SERIES



Model	Flow Rate	Valves	Spring	Wall Bracket
KC56-1000	1.6GPM	Compression	Chrome Plated	None
KC56-1000-BR				Yes

For PowerPulse™ spray head configuration, use prefix "KLP"
 Approximate shipping weight - 13 lb
 Warranty - 2 years parts / 1 year hose



COMPLIES WITH:
 THE FEDERAL "REDUCTION OF LEAD
 IN DRINKING WATER ACT" -
 2011 - US SENATE BILL NO. S.3874
 NSF/ANSI 61/9, ANNEX G

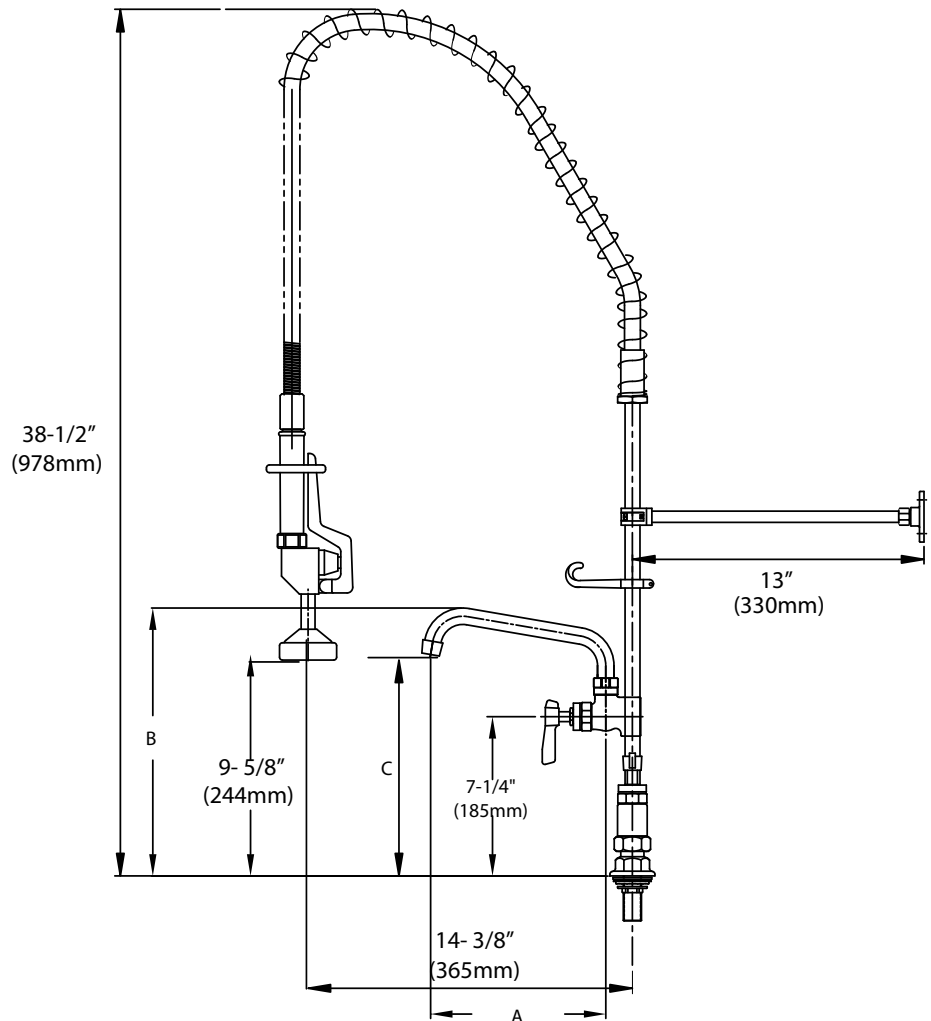
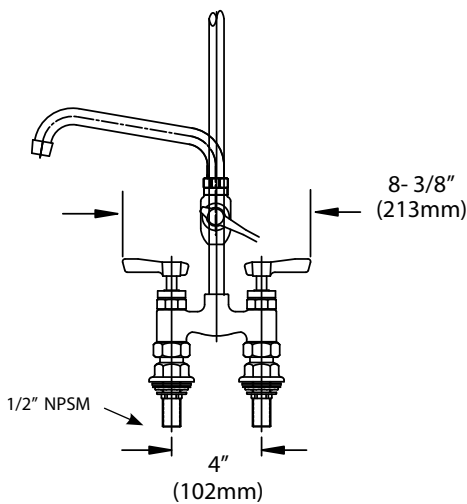


PRE-RINSE, COMMERCIAL, DECK MOUNT, ELEVATED BRIDGE, 4" O.C., ADD-ON FAUCET KC56-1000-AF SERIES



Model	Flow Rate	Valves	Spring	A	B	C
KC56-1000-AF1	1.6GPM	Compression	Chrome Plated	6" (152mm)	11-13/16" (300mm)	9-9/16" (243mm)
KC56-1100-AF1		Ceramic				
KC56-1000-AF2		Compression		8" (203mm)	12-1/4" (311mm)	10-1/8" (257mm)
KC56-1100-AF2		Ceramic				
KC56-1000-AF3		Compression		10" (254mm)	12-9/16" (319mm)	10-1/2" (266mm)
KC56-1100-AF3		Ceramic				
KC56-1000-AF4		Compression		12" (305mm)	13-3/16" (335mm)	10-15/16" (278mm)
KC56-1100-AF4		Ceramic				
KC56-1000-AF5		Compression		14" (356mm)	13-35/48" (348mm)	11-3/8" (289mm)
KC56-1100-AF5		Ceramic				
KC56-1000-AF6		Compression		16" (406mm)	14-1/8" (359mm)	11-7/8" (302mm)
KC56-1100-AF6		Ceramic				
KC56-1000-AF7		Compression		18" (457mm)	13-3/8" (338mm)	15-9/16" (395mm)
KC56-1100-AF7		Ceramic				

For PowerPulse™ spray head configuration, use prefix "KLP"
Approximate shipping weight - 13 lb
Warranty - 2 years parts / 1 year hose



COMPLIES WITH:
THE FEDERAL "REDUCTION OF LEAD
IN DRINKING WATER ACT" -
2011 - US SENATE BILL NO. S.3874
NSF/ANSI 61/9, ANNEX G

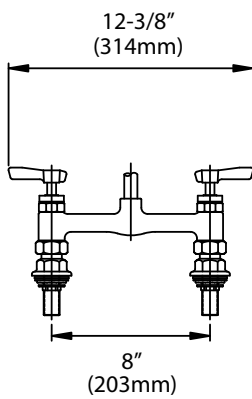


PRE-RINSE, COMMERCIAL, DECK MOUNT, ELEVATED BRIDGE, 8" O.C. KC60-1000 SERIES

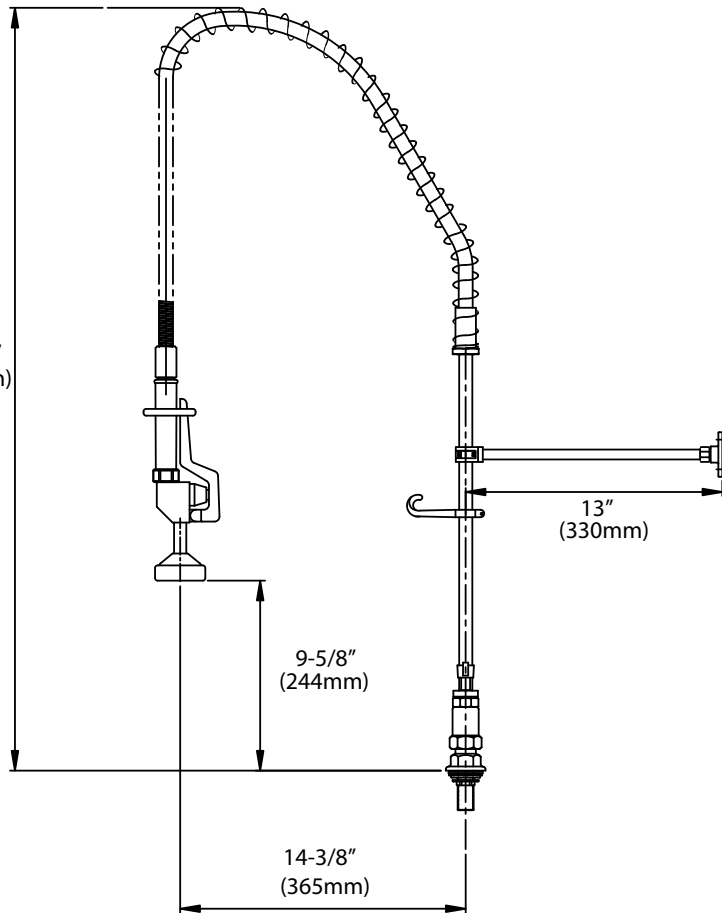


Model	Flow Rate	Valves	Spring	Wall Bracket
KC60-1000	1.6GPM	Compression	Chrome Plated	None
KC60-1000-BR				Yes

For PowerPulse™ spray head configuration, use prefix "KLP"
 Approximate shipping weight - 13 lb
 Warranty - 2 years parts / 1 year hose



38-1/2"
(978mm)



COMPLIES WITH:
 THE FEDERAL "REDUCTION OF LEAD
 IN DRINKING WATER ACT" -
 2011 - US SENATE BILL NO. S.3874
 NSF/ANSI 61/9, ANNEX G

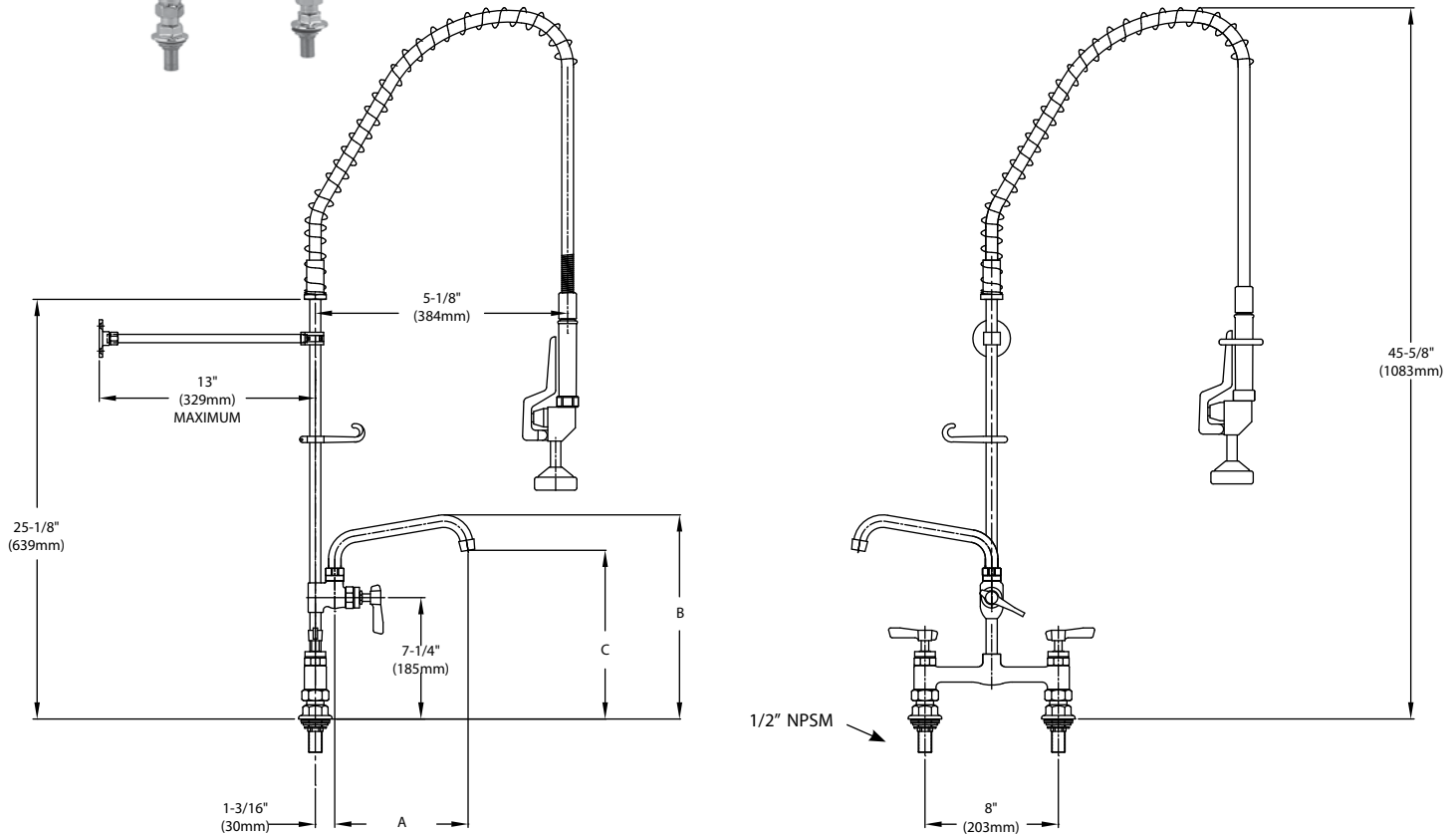


PRE-RINSE, COMMERCIAL, DECK MOUNT, ELEVATED BRIDGE, 8" O.C., ADD-ON FAUCET KC60-1000-AF SERIES



Model	Flow Rate	Valves	Spring	A	B	C
KC60-1000-AF1	1.6GPM	Compression	Chrome Plated	6" (152mm)	11-13/16" (300mm)	9-9/16" (243mm)
KC60-1100-AF1		Ceramic				
KC60-1000-AF2		Compression		8" (203mm)	12-1/4" (311mm)	10-1/8" (257mm)
KC60-1100-AF2		Ceramic				
KC60-1000-AF3		Compression		10" (254mm)	12-9/16" (319mm)	10-1/2" (266mm)
KC60-1100-AF3		Ceramic				
KC60-1000-AF4		Compression		12" (305mm)	13-3/16" (335mm)	10-15/16" (278mm)
KC60-1100-AF4		Ceramic				
KC60-1000-AF5		Compression		14" (356mm)	13-35/48" (348mm)	11-3/8" (289mm)
KC60-1100-AF5		Ceramic				
KC60-1000-AF6		Compression		16" (406mm)	14-1/8" (359mm)	11-7/18" (302mm)
KC60-1100-AF6		Ceramic				
KC60-1000-AF7		Compression		18" (457mm)	13-3/8" (338mm)	15-9/16" (395mm)
KC60-1100-AF7		Ceramic				

For PowerPulse™ spray head configuration, use prefix "KLP"
 Approximate shipping weight - 13 lb
 Warranty - 2 years parts / 1 year hose



COMPLIES WITH:
 THE FEDERAL "REDUCTION OF LEAD
 IN DRINKING WATER ACT" -
 2011 - US SENATE BILL NO. S.3874
 NSF/ANSI 61/9, ANNEX G



ACCESSORIES AND REPLACEMENT PARTS FOR PRE-RINSES, UTILITY SPRAYS, POT FILLERS



Pre-Rinse Top Half, Riser, Hook, Spring, Wall Bracket, Hose & Spray Valve
Model KL50-Y000-PRB



Pre-Rinse Top Half, 12" (305) Swivel Arm, Hook, Spring, Wall Bracket, Hose & Spray Valve
Model KL50-Y2612RPB



Double Pantry Pre-Rinse Body
Model **Description**
 KL50-Y001-XZ Compression
 KL50-Y001-CCV Ceramic



8" (203mm) Splash Mount Pre-Rinse Body
Model **Description**
 KL53-Y001-XZ Compression
 KL53-Y001-CCV Ceramic



4" (102mm) Bridge Deck Mount Pre-Rinse Body
Model KL56-Y003



8" (203mm) Bridge Deck Mount Pre-Rinse Body
Model KL60-Y001



Single Deck Mount Pre-Rinse Body
Model KL63-Y001-XZ



6" (152mm) Bridge Deck Mount Body Only
Model KL66-Y003



Single Handle Splash Mount Body Only
Model KL69-Y001



QUIK-FIL 3/4" (19mm) Add-On Faucet with Spout
Model **Spout Length**
 KL35-7010 10" (254mm)
 KL35-7012 12" (305mm)
 KL35-7014 14" (356mm)
 KL35-7018 18" (457mm)

Replacement seats for add-on body - KN35-X010-SS



KL55 Series Add-On Faucet w/Swing Spout
Model **Spout Length**
 KL55-7006 6" (152mm)
 KL55-7008 8" (203mm)
 KL55-7010 10" (254mm)
 KL55-7012 12" (305mm)
 KL55-7014 14" (356mm)
 KL55-7016 16" (406mm)
 KL55-7018 18" (457mm)
 Double Jointed
 KL55-7018ASE1 18" (457mm)



1/2" (13mm) Add-On Faucet Body Only
Model KL55-Y001-Z

ACCESSORIES AND REPLACEMENT PARTS FOR PRE-RINSES, UTILITY SPRAYS, POT FILLERS

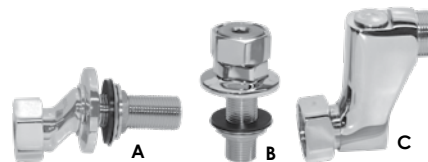


Choice of inlets permit easy, fast installation by providing adjustability of different faucet or pre-rinse centers to match varying installation (piping) centers.

Adjustable Supply Inlets

Ref.	Model	Eccentric	Total Range 2 (Inlets)
A	KL60-Y004	1/2" (13mm)	1" (25mm)
B	KL60-Y005	1" (25mm)	2" (51mm)
C	KL60-Y006*	None	N/A

*KL60-Y006 is supplied on all Encore® wall mount faucets and pre-rinse units.
 **Each Inlet also provides an additional plus or minus 1/4" (6mm) compensation to accommodate varying field conditions.



Coupling

Ref.	Model	Description
A	KL60-Y012	1/2" Offset
B	KL60-Y013	Straight Supply
C	KL60-Y114	1/2" Offset With Stop



Swing Nozzle

Model	Description
KL50-Y025	90 Degree
KL50-Y026	180 Degree



7" (178mm) Swivel Riser

Model	Description
KN50-Y026-7	



Rigid Riser Pipe

Model	Length
KL50-X153-5	5" (127mm)
KL50-X153-7	7" (178mm)
KL50-X153-8	8" (203mm)
KL50-X153-12	12" (305mm)
KL50-X153-14	14" (357mm)
KL50-X077	18" (457mm)
KL50-X029	24" (610mm)
KL50-X153-26	26" (660mm)
KL50-X153-32	32" (813mm)

Stainless Steel 24" (610mm) Riser

Model	Description
KN50-X029-SS	



Easy Install Riser Pipe

Model	Height
KL50-Y226-2	2" (51mm)
KL50-Y226-11	11" (279mm)
KL50-Y226-18	18" (457mm)
KL50-Y226-24	24" (610mm)
KL50-Y226-26	26" (660mm)
KL50-Y226-32	32" (813mm)



4 Way Cross Fitting 4 x 3/8" NPT

Model	Description
KL50-X230	



T-Fitting 3/8" NPT

Model	Description
K50-X203	
KL50-X203	Low Lead



Rigid Tee Water Supply Kit

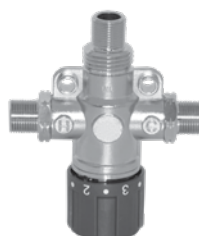
Model	Description
KL50-0500	

To supply water to dishwashing soap systems



Temperature Mixing Valve

Model	Description
KL63-Y005	



Thermostatic Mixing Valves

Model	Description
KL19-X025	9/16" Thread
KL19-X026	1/2" Thread

ACCESSORIES AND REPLACEMENT PARTS FOR PRE-RINSES, UTILITY SPRAYS, POT FILLERS



Female Hose Spout Adapter

Model KL11-X080

Attaches garden hose vacuum breaker to spout adapter. For use with K50-X136. 55/64-27 x 3/4".



Hose Adapter Kit

Model KL50-0400

Kit includes:
KL50-X234
 Garden Hose Adapter
KL50-X233
 Hose barb fitting 3/8" NPT x 1/2" hose
KL50-X032
 Hose barb fitting 3/8" NPT x 3/8" hose



Rigid to Swing Adapter

Model KL50-X075

To accommodate field conversion of faucets with 3/8" NPT female outlets to accept swing spouts or swivel gooseneck spout.



Top of Riser (Rigid) To Swing Adapter

Model KL50-X076

Used in combination with a riser pipe to accommodate a swing spout or swivel gooseneck spout application has 3/8" NPT female inlet.



Swing to Rigid Adapter

Model KL50-X122

To accommodate field conversion of faucets with standard Encore® and TOP-LINE® swivel spout outlets to accept 3/8" NPT male riser pipe or rigid gooseneck spouts.



Adapter Converts Encore® Hose to Fit Fisher Pre-Rinse

Model KL50-X127



Adapter Converts Encore® Hose to Fit Chicago Pre-Rinse

Model KL50-X128



Adapter Converts Standard Hose Pre-Rinse Hose to Male 1/2" NPT

Model KL50-X129



Spout Adapter

Model KL50-X148

Adapts Encore spout to T&S faucet body



Spout Adapter

Model KL50-X149

Adapts Encore spout to Chicago faucet body



Chicago Grip Adapter 7/8" x 3/8"-18 NPT

Model KL50-X194



Adapter Converts Fisher Hose to Fit Encore Grip 7/8 -20 x 3/4-14

Model KL99-X102



Hose Connection Vacuum Breaker

Model KL50-X136

For hose thread faucets where pre-rinse or spray hoses may be attached. To prevent back flow of contaminated water into safe drinking water supply.



In-Line Vacuum Breaker for Top Of Riser Pipe Application

Model KL50-X139

Provided with 3/8" NPS female inlet and 3/8" NPS male outlet.



In-Line Vacuum Breaker for Bottom Of Riser Pipe Application

Model KL50-X139-B

Provided with 3/8" NPS male inlet and 3/8" NPS female outlet



Continuous Pressure In-Line Vacuum Breaker for Hose Application

Model **Description**

KL50-X196

KL50-X196-SP With 2" Nipple

A back siphonage preventer for units where pre-rinse or spray hoses may be attached. Prevents the back flow of contaminated water into the safe drinking water supply. Provided with 3/8" NPT inlet & outlet.

ACCESSORIES AND REPLACEMENT PARTS FOR PRE-RINSES, UTILITY SPRAYS, POT FILLERS



KL34 Series Compression Cartridge Valve for 3/4" (19mm) Faucets

Model	Units
KL34-Y006	Cold
KL34-Y007	Hot

S/S seats for 3/4" faucet KN34-X009-SS



KL35 Series Compression Cartridge Valve for 3/4"(19mm) Add-On Faucet

Model	Units
KL35-Y007	Hot

S/S seats for 3/4" faucet KN35-X010-SS



KL41/KL45 Series Compression Cartridge Short Barrel

Model	Units
KL41-Y006	Cold
KL41-Y007	Hot



KL41/KL45 Series Ceramic Cartridge Short Barrel

Model	Units
KL41-Y006-CV	Cold
KL41-Y007-CV	Hot



KL50 Series Compression Cartridge Long Barrel

Model	Units
KL50-Y006	Cold
KL50-Y007	Hot

Fits most KL/KN77/50/60/80 Series Faucets



KL50 Series Ceramic Cartridge Long Barrel

Model	Units
KL50-Y006-CCV	Cold
KL50-Y007-CCV	Hot

Fits most KL/KN77/50/60/80 Series Faucets



KL55 Series Compression Cartridge

Model	Units
KL55-Y010	Hot
KL55-Y011	Cold



KL41/KL45 Series Compression Cartridge with Standard Lever Handle

Model	Units
KL41-Y006-KT	Cold
KL41-Y007-KT	Hot



KL41/KL45 Series Ceramic Cartridge w/Standard Lever Handle

Model	Units
KL41-Y006CVKT	Cold
KL41-Y007CVKT	Hot



KL50 Series Compression Cartridge with Standard Lever Handle

Model	Units
KL50-Y006-KT	Cold
KL50-Y007-KT	Hot



KL50 Series Ceramic Cartridge with Standard Lever Handle

Model	Units
KL50-Y006CVKT	Cold
KL50-Y007CVKT	Hot



KL83/KL84 Series Oil Filled Metering Cartridge with Handle

Model	Units
KL84-Y006	Cold
KL84-Y007	Hot
KL84-Y008	Universal

Does not fit KL41/45 Series Faucets



Single Lever Faucet Replacement Cartridge

Model	Description
KN81-0010	
KN81-0100	With Bonnet & Cover



Add-On Faucet Assembly Less Nipple

Model	
KL55-Y002-Z	

ACCESSORIES AND REPLACEMENT PARTS FOR PRE-RINSES, UTILITY SPRAYS, POT FILLERS



Replacement Spring	
Model	Description
K50-X033	Chrome Plated
K50-X178	Stainless Steel
K50-X033-M	Mini S/S Type 304

Chrome plated and stainless steel heavy-duty gooseneck spring, heat treated, nickel plated. Ensures convenient hose position and flexibility.



Heavy Duty Swivel Arm Support	
Model	Description
K50-Y500-Z	

Easily mounts to riser pipe and swivel arm. Allows full swing while providing additional support when Pre-Rinse is exposed to severe field use.



Wall Bracket	
Model	Description
K50-Y020-Z	

Assembly includes 12" (305mm) nipple which may be cut to permit adjustments between 2" and 12" (51mm and 305mm). New compression fitting allows fast, positive connection.



Pre-Rinse Spray Brush Attachment	
Model	Description
KN50-XBR10	



Spring Retainer	
Model	Description
KL50-X032	



Swivel Arm Assembly	
Model	Length
KL50-Y050-12	12" (305mm)
KL50-Y050-18	18" (457mm)

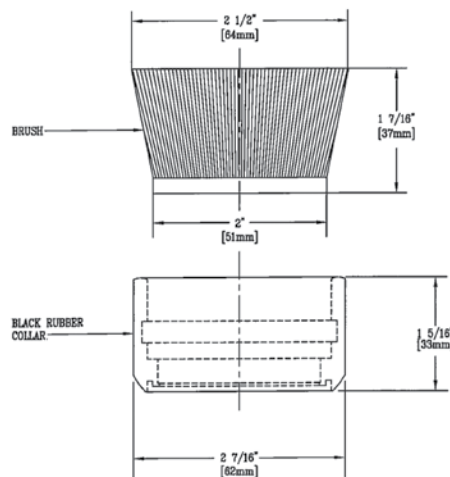


Wall Hook	
Model	Description
K50-Y012-Z	
K50-Y012-P	Security Style

Permits spray valves to be conveniently hung in place when not in use. Furnished with chrome plated base and coated hook.



Hook-Screw Assembly	
Model	Description
K50-Y011	



Splash Faucet Mounting Kit	
Model	Description
KL40-1000	

Kit has been designed for simple installation of wall faucets within the standard backsplash space. Contains two each of 1/2" NPS nipples, 1/2" NPT x 1/2" sweat ells, washers and locknuts.



Splash Mount Kit	
Model	Description
KL40-2000	Close Elbow
KL40-2020	Close Elbow with (2) Nipples



Heavy-Duty 3/4" (19mm) IPS Mounting Ells	
Model	Description
KL40-3400	



Deck Faucet Mounting Kit	
Model	Description
KL60-Y010	

Kit has been designed for simple installation of deck faucets. Contains two each of 1/2" NPS nipples, washers and locknuts.



Swivel Joint	
Model	Description
KL50-Y051	

ACCESSORIES AND REPLACEMENT PARTS FOR PRE-RINSES, UTILITY SPRAYS, POT FILLERS

Encore Premium hose assemblies are constructed with a strong, flexible stainless steel outer casing over a nylon reinforced Santoprene® core. The Encore Premium Pre-Rinse Hose has been specially designed to significantly minimize any incidence of failure. At the point where most other hoses fail, Encore has added a strain relief coil of .125 (3mm) diameter chrome plated wire. This special coil transfers the load stress away from the part of the hose most subject to flexing and distributes it evenly over an extended area, thus adding significantly to the life of the hose. When you want the best hose on the market specify Encore Premium hose assemblies.



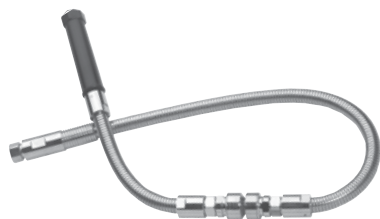
Premium Hose Assemblies					
Premium w/Grip	Hose Length	Premium w/out Grip	Hose Length	Premium Universal Fit w/Grip	Hose Length
KL50-Y004-20	20" (508mm)	KL50-Y010-20Z	14" (356mm)	KL50-Y004-20U	20" (508mm)
KL50-Y004-26	26" (660mm)	KL50-Y010-26Z	20" (508mm)	KL50-Y004-26U	26" (660mm)
KL50-Y004-36	36" (914mm)	KL50-Y010-32Z	32" (813mm)	KL50-Y004-36U	36" (914mm)
KL50-Y004-44	44" (1118mm)	KL50-Y010-44Z	38" (965mm)	KL50-Y004-44U	44" (1118mm)
KL50-Y004-60	60" (1524mm)	KL50-Y010-60Z	54" (1372mm)	KL50-Y004-60U	60" (1524mm)
KL50-Y004-72	72" (1829mm)	KL50-Y010-72Z	66" (1676mm)	KL50-Y004-72U	72" (1829mm)
KL50-Y004-96	96" (2438mm)	KL50-Y010-96Z	90" (2286mm)	KL50-Y004-96U	96" (2438mm)

All models above replace all major manufacturers' pre-rinse hoses

Encore Commercial pre-rinse hoses are an economical alternative to other manufacturers' hoses. Encore Commercial hoses offer the same features as the competition, but at an economical price. One year warranty.

Commercial Hose Assemblies					
Commercial w/Grip	Hose Length	Commercial w/out Grip	Hose Length	Commercial Universal Fit w/Grip	Hose Length
KC50-Y004-20	20" (508mm)	KC50-Y01020XZ	14" (356mm)	KC50-Y004-20U	20" (508mm)
KC50-Y004-26	26" (660mm)	KC50-Y01026XZ	20" (508mm)	KC50-Y004-26U	26" (660mm)
KC50-Y004-44	44" (1118mm)	KC50-Y01044XZ	38" (965mm)	KC50-Y004-44U	44" (1118mm)
KC50-Y004-60	60" (1524mm)	KC50-Y01060XZ	54" (1372mm)	KC50-Y004-60U	60" (1524mm)
KC50-Y004-72	72" (1829mm)	KC50-Y01072XZ	66" (1676mm)	KC50-Y004-72U	72" (1829mm)
KC50-Y004-96	96" (2438mm)	KC50-Y01096XZ	90" (2286mm)	KC50-Y004-96U	96" (2438mm)

All models above replace all major manufacturers' pre-rinse hoses



Hose Assembly with Continuous Pressure In-Line Vacuum Breaker

Model	Hose Length
KL50-Y016-44	44" (1118mm)
KL50-Y016-44U (with universal adapter)	44" (1118mm)
KL50-Y016-72	72" (1829mm)

For use on Pre-Rinse units where additional backflow prevention is desirable. Prevents the flow of contaminated water into the safe water drinking supply. 44" (1118mm) is the standard length on all Encore pre-rinse units. Three year warranty.



Hose Assembly with Adapter

Model	KL50-Y401-44Z



Quick Disconnect Pre-Rinse Assembly

Model	K50-Y604



Quick Disconnect

Model	Description
KL50-QDISKTS	Retrofit Kit for T&S
KL50-QDISKFM	Retrofit Kit for Fisher

*Santoprene® is a registered trademark of ExxonMobil Corporation

ACCESSORIES AND REPLACEMENT PARTS FOR PRE-RINSES, UTILITY SPRAYS, POT FILLERS



- **KLP50-0220105** cleans **43% faster** and uses **58% less water** than top competitor's spray head
- **KLP50-0220-74** cleans **33% faster** and uses **65% less water** than top competitor's spray head
- **KLP50-0220-65** cleans **20% faster** and uses **17% less water** than top competitor's spray head



PowerPulse™ Spray Valve Assembly

Model	Description
KLP50-0220-45	0.45GPM
KLP50-Y002-45*	
KLP50-0220-65	0.67GPM
KLP50-Y002-65*	
KLP50-0220-74	0.74GPM
KLP50-Y002-74*	
KLP50-0220105	1.05GPM
KLP50-Y002105*	
KLP50-0220-12	1.22GPM
KLP50-Y002-12*	
KLP50-0220152	1.52GPM
KLP50-Y002152*	

*Without grip and adapters



44" (1118mm) Low Lead Hose With 1.6GPM Spray Assembly, Grip & Adapters

Model KL50-Y0004412



44" (1118mm) Hose with Spray and Kool Grip™

Model KL50-Y004-44S



PowerPulse 2.5GPM High Flow Spray Valve for Hose Reel Applications

Model	Description
KLP50-0220-25	With Grip
KLP50-Y002-25	Without Grip



44" (1118mm) Low Lead Hose Includes Grip and Bent Spray Head Assembly

Model KL50-Y000



Spray Valve Kits

Model	Description
KL50-0220-065	Low Flow 0.65GPM
KL50-0220-12	Low Flow 1.2GPM
KL50-0220*	Universal 3.3 GPM

*Pre-Rinse Spray Assembly complete with grip and adapters to fit other manufacturers' hoses.



60" (1524mm) Low Lead Hose With Pot Filler Valve

Model KL50-Y000-60



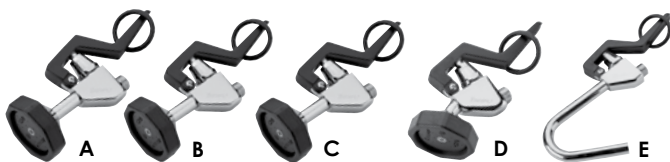
Variable Flow Spray

Model KLF-Y104A



Stainless Steel Flex Hose

Model	Hose Length
KL50-Y015-15Z	15" (381mm)
KL50-Y210-22	22" (559mm)
KL50-Y210-28Z	28" (711mm)



Spray Valve Assemblies

Ref.	Model	Description
A	KL50-Y002	Utility Spray Valve, 3.3GPM
B	KL50-Y002-065	Low Flow Spray Valve, 0.65GPM
C	KL50-Y00212XZ	Low Flow Spray Valve, 1.2GPM
D	KL50-Y030-Z	Angled Spray Valve, 3.3GPM
E	KL50-Y031-Z	Pot Filler Spray Valve Assembly



- Low lead brass construction
- Designed to provide superior performance and durability for tough foodservice environments
 - Effectively removes food or residue on dishware
- Interchangeable with all major brands
 - Meets new EPA Class II water conservation requirements
 - Protective dish guard bumper-eliminates leaking
- 1.15 gpm fan knife spray powers off debris quickly while conserving water
 - Encore "Kool Grip" insulated grip

1.15GPM Fan Spray

Model	Description
KL50-0220-FS	With Grip & Universal Adapters
KL50-Y002-FS	With Grip

ACCESSORIES AND REPLACEMENT PARTS FOR PRE-RINSES, UTILITY SPRAYS, POT FILLERS



Spray Head Repair Kit

Model	Description
KL50-0200	3.3GPM
KL50-0200-16	1.6GPM
KL50-0200-ECO	Low Flow – 1.2GPM



Universal Utility Spray Replacement Kit

Model	KL50-0230
-------	-----------



Pot Filler Spray and Grip Assembly

Model	KL50-0232
-------	-----------



Spray Handle

Model	K50-X016
-------	----------



Spray Handle with Screw Assembly

Model	K50-X016-SP
-------	-------------



Kool Grip™ Hose Grip

Model	Description
KN50-X025-Z	With Logo
KN50-X025-SGZ	Without Logo
KN50-X025-W	1/4-20 Set Screw



Spray Face 3.3 GPM

Model	KN50-X065
-------	-----------



Water Saver Face Plate 1.6GPM

Model	KN50-X135
-------	-----------



Low Flow Water Saver Face Plate

Model	Description
KN50-X135-065	0.65GPM
KN50-X135-12	1.2GPM



Spray Head Bumper

Model	KN50-X210
-------	-----------



Spray Head Face, Bumper and Screw

Model	KN50-0300-PS
-------	--------------



Button Valve

Model	KL50-Y027
-------	-----------



Holding Ring

Model	K50-X017
-------	----------



4" (102mm) Wrist Blade Handles - 1 Pair

Model	K50-0001
-------	----------



6" (152mm) Wrist Blade Handles - 1 Pair

Model	K50-0001-6
-------	------------



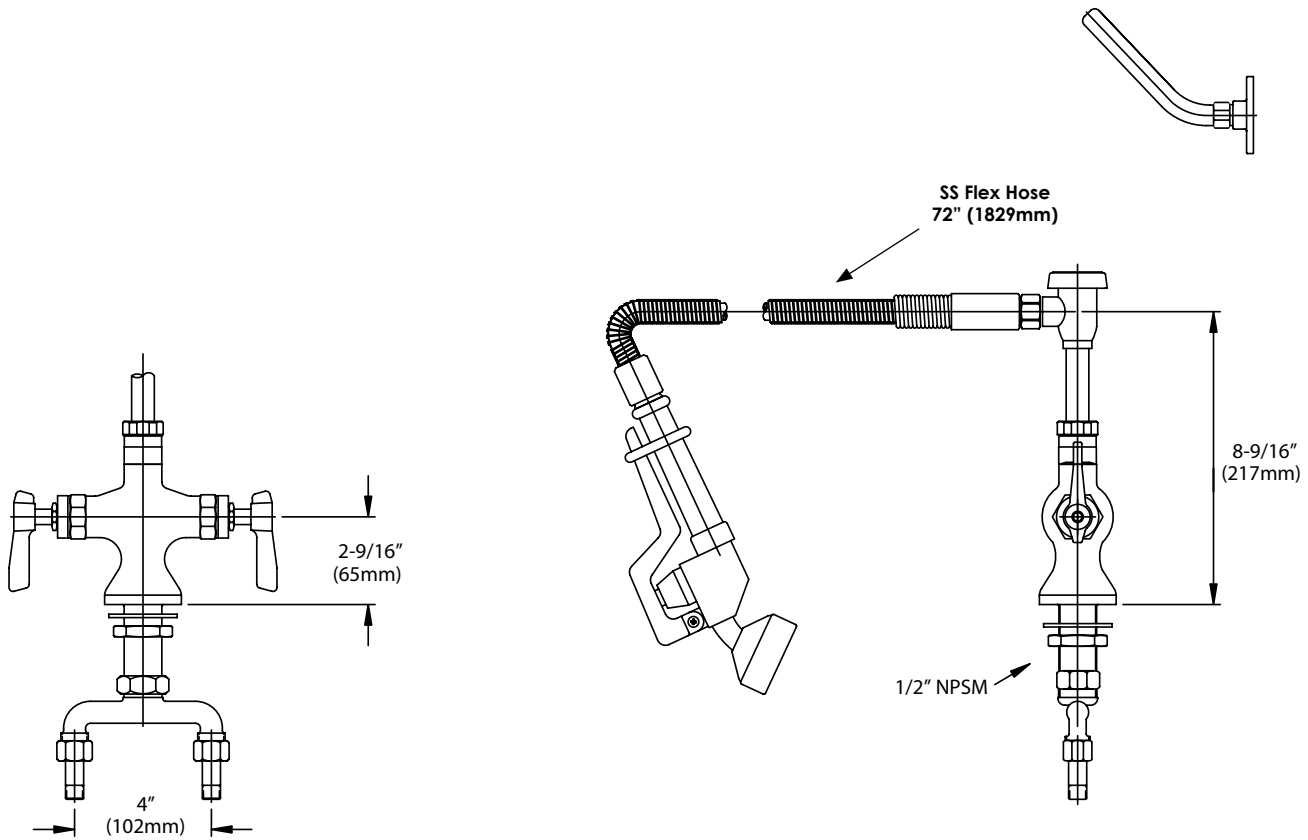
Cross Handle Replacement Kit - 1 Pair

Model	K50-0111
-------	----------

UTILITY SPRAY, DECK MOUNT, DOUBLE PANTRY KL50-2000 SERIES

Model	Flow Rate	Valves	Vacuum Breaker
KL50-2000	3.3GPM	Compression	No
KL50-2100		Ceramic	
KL50-2000-VB	3.3GPM	Compression	Yes
KL50-2100-VB		Ceramic	

Approximate shipping weight - 5 lb
Warranty - 2 years parts



For service parts breakdown, refer to page 298.

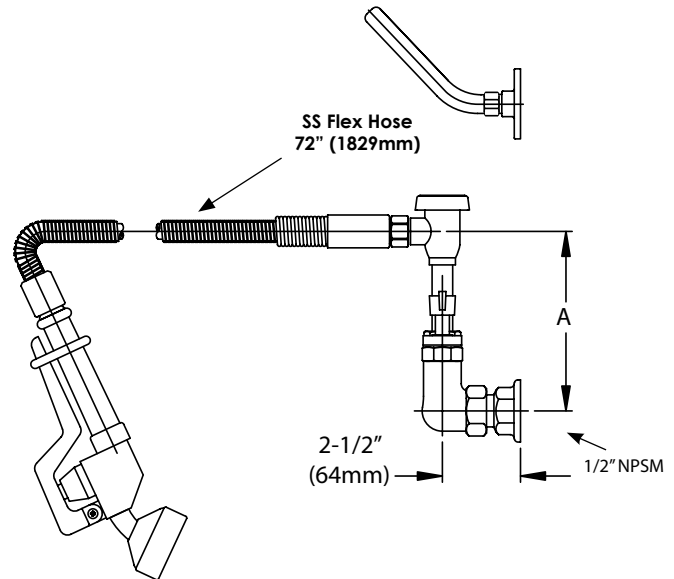
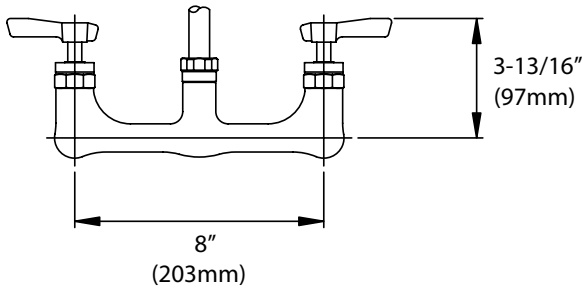
COMPLIES WITH:
THE FEDERAL "REDUCTION OF LEAD
IN DRINKING WATER ACT" -
2011 - US SENATE BILL NO. S.3874
NSF/ANSI 61/9, ANNEX G



UTILITY SPRAY, SPLASH MOUNT, 8" O.C. KL53-2000 SERIES

Model	Flow Rate	Valves	Vacuum Breaker
KL53-2000	3.3GPM	Compression	No
KL53-2100		Ceramic	
KL53-2000-VB	3.3GPM	Compression	Yes
KL53-2100-VB		Ceramic	

Approximate shipping weight - 10 lb
Warranty - 2 years parts



Model	A
KL53-2000	4-9/16" (117mm)
KL53-2100	
KL53-2000-VB	5-3/4" (146mm)
KL53-2100-VB	

For service parts breakdown, refer to page 305.

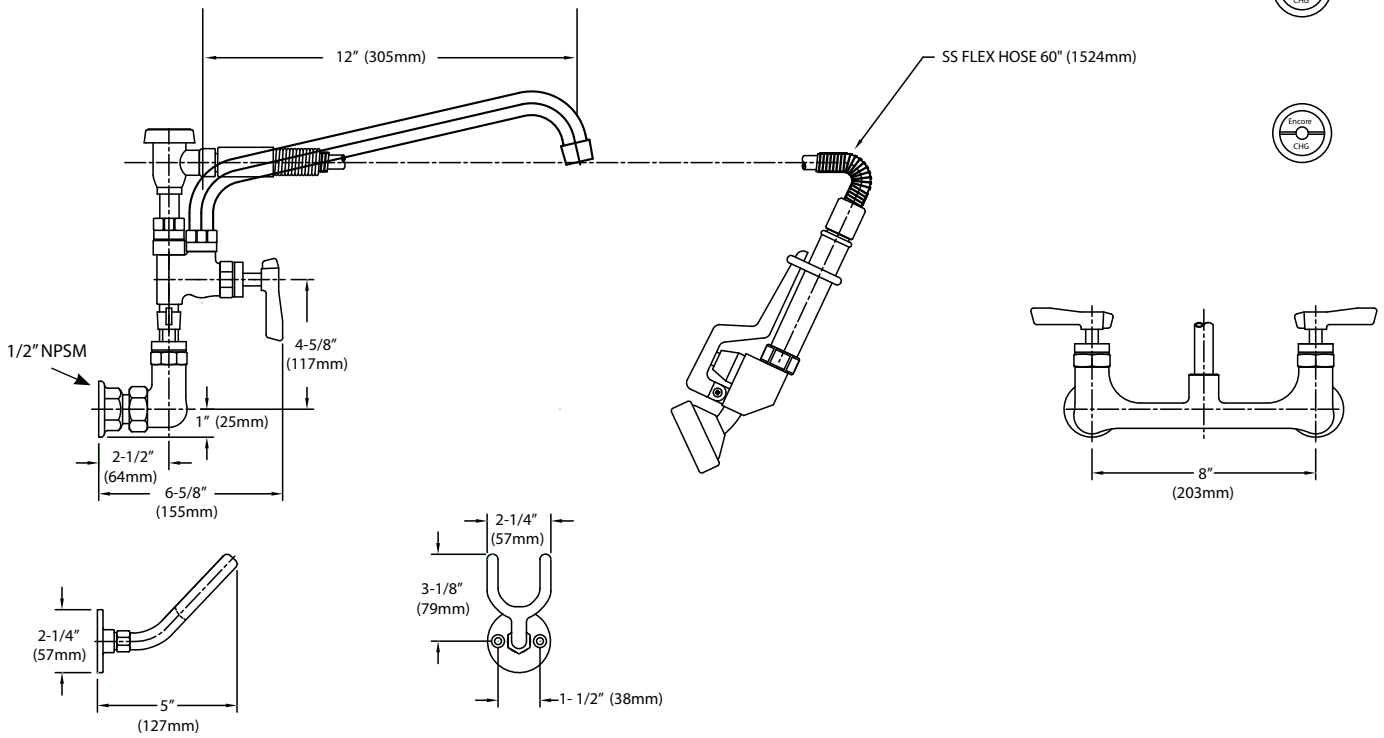
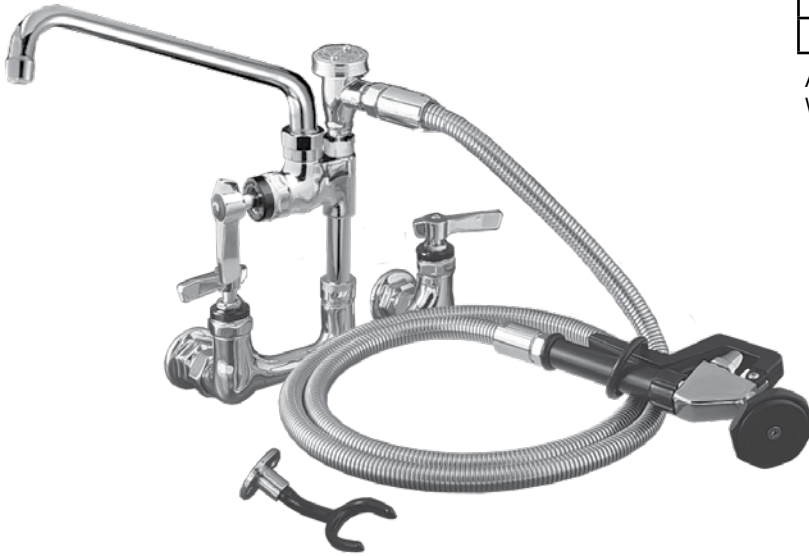
COMPLIES WITH:
THE FEDERAL "REDUCTION OF LEAD
IN DRINKING WATER ACT" -
2011 - US SENATE BILL NO. S.3874
NSF/ANSI 61/9, ANNEX G



UTILITY SPRAY, SPLASH MOUNT, 8" O.C., 12" ADD-ON FAUCET, 60" HOSE KL53-2000-SP2

Model	Flow Rate	Valves	Vacuum Breaker
KL53-2000-SP2	1.6GPM	Compression	Yes

Approximate shipping weight - 8 lb
Warranty - 2 years parts



For service parts breakdown, refer to page 305.

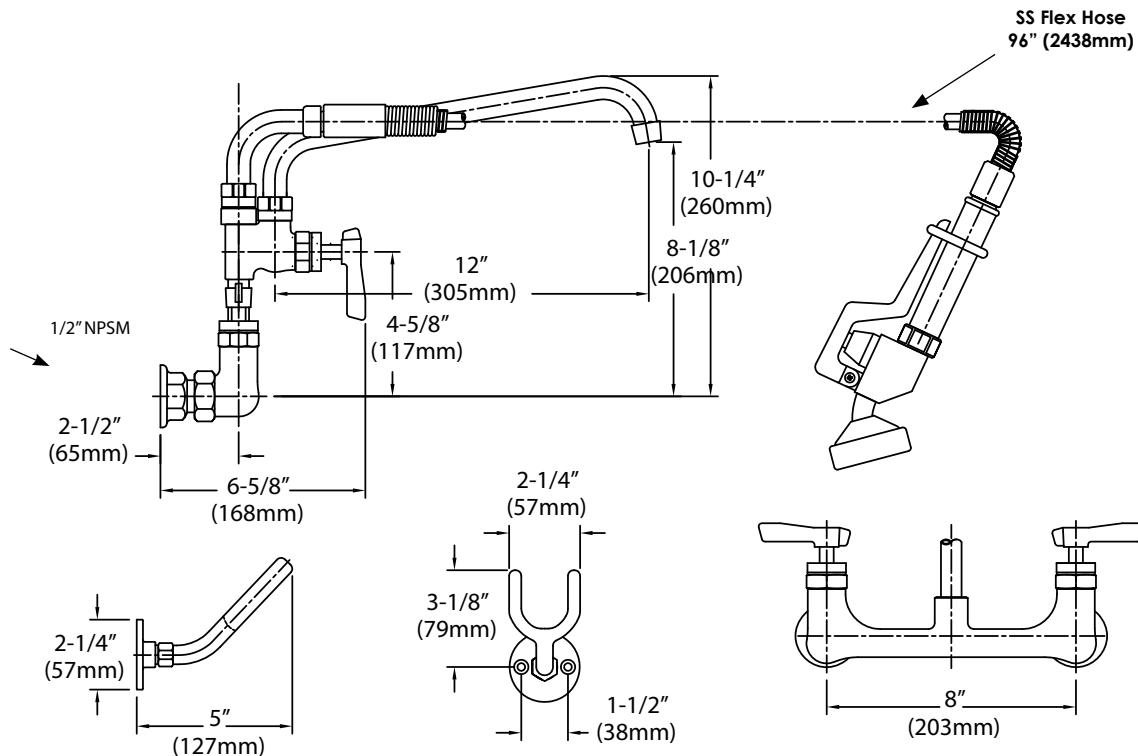
COMPLIES WITH:
THE FEDERAL "REDUCTION OF LEAD
IN DRINKING WATER ACT" -
2011 - US SENATE BILL NO. S.3874
NSF/ANSI 61/9, ANNEX G



UTILITY SPRAY, SPLASH MOUNT, 8" O.C., 12" ADD-ON FAUCET, 96" HOSE KL53-2000-SP6 SERIES

Model	Flow Rate	Valves	Vacuum Breaker
KL53-2000-SP6	1.6GPM	Compression	No
KL53-2100-SP6		Ceramic	

Approximate shipping weight - 8 lb
Warranty - 2 years parts



For service parts breakdown, refer to page 305.

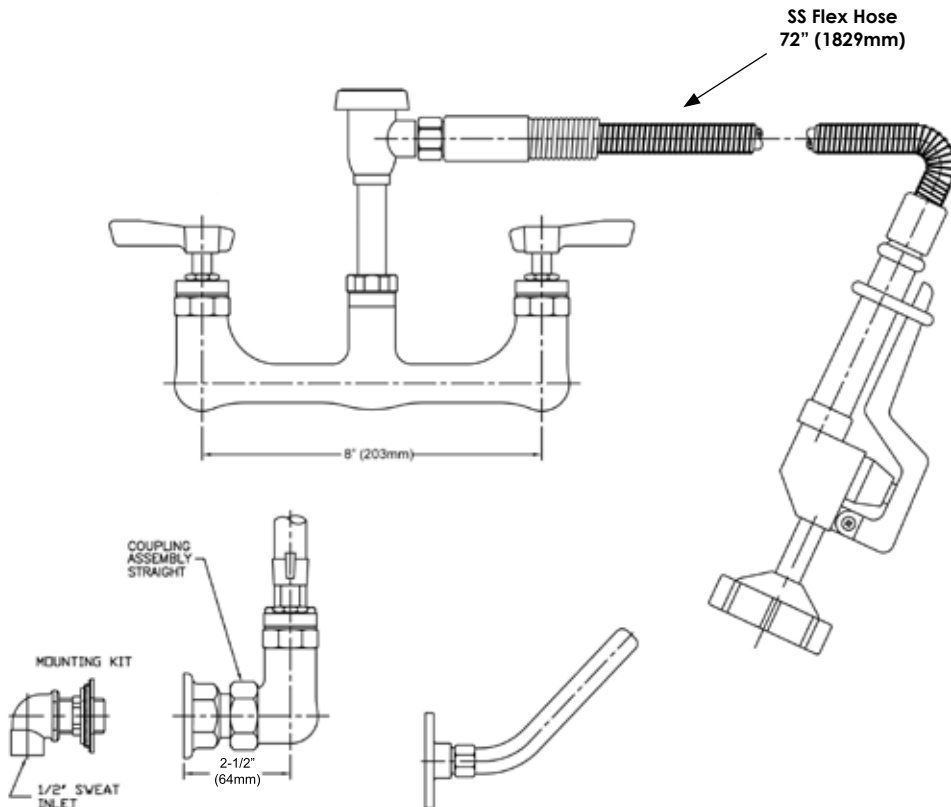
COMPLIES WITH:
THE FEDERAL "REDUCTION OF LEAD
IN DRINKING WATER ACT" -
2011 - US SENATE BILL NO. S.3874
NSF/ANSI 61/9, ANNEX G



UTILITY SPRAY, SPLASH MOUNT, 8" O.C. KL53-2000-SP7

Model	Flow Rate	Valves	Vacuum Breaker
KL53-2000-SP7	3.3GPM	Compression	Yes

Approximate shipping weight - 5 lb
Warranty - 2 years parts



COMPLIES WITH:
THE FEDERAL "REDUCTION OF LEAD
IN DRINKING WATER ACT" -
2011 - US SENATE BILL NO. S.3874
NSF/ANSI 61/9, ANNEX G

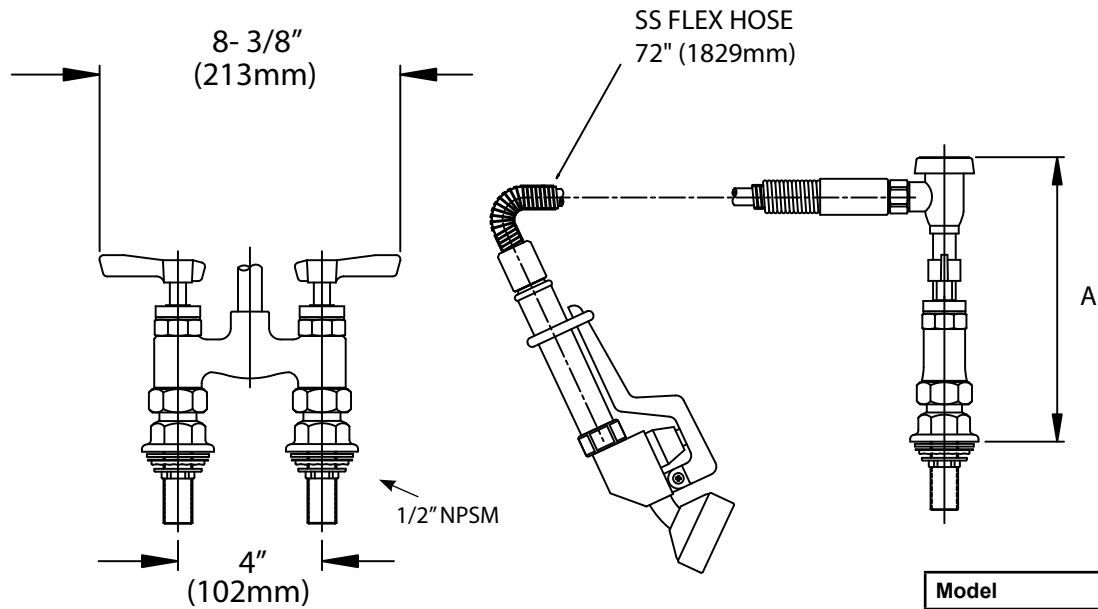


For service parts breakdown, refer to page 305.

UTILITY SPRAY, DECK MOUNT, ELEVATED BRIDGE, 4" O.C. KL56-2000 SERIES

Model	Flow Rate	Valves	Vacuum Breaker
KL56-2000	3.3GPM	Compression	No
KL56-2100		Ceramic	
KL56-2000-VB	3.3GPM	Compression	Yes
KL56-2100-VB		Ceramic	

Approximate shipping weight - 10 lb
Warranty - 2 years parts



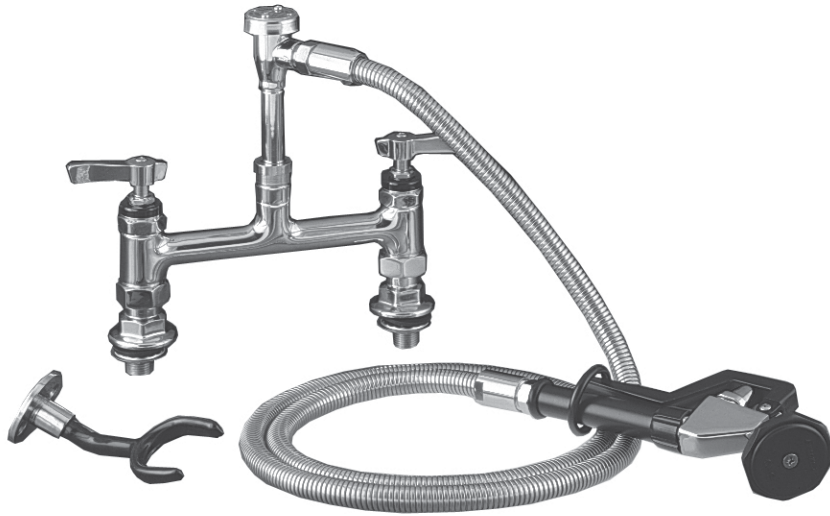
Model	A
KL56-2000	7-3/16" (183mm)
KL56-2100	
KL56-2000-VB	8-3/8" (213mm)
KL56-2100-VB	

For service parts breakdown, refer to page 312.

COMPLIES WITH:
THE FEDERAL "REDUCTION OF LEAD
IN DRINKING WATER ACT" -
2011 - US SENATE BILL NO. S.3874
NSF/ANSI 61/9, ANNEX G

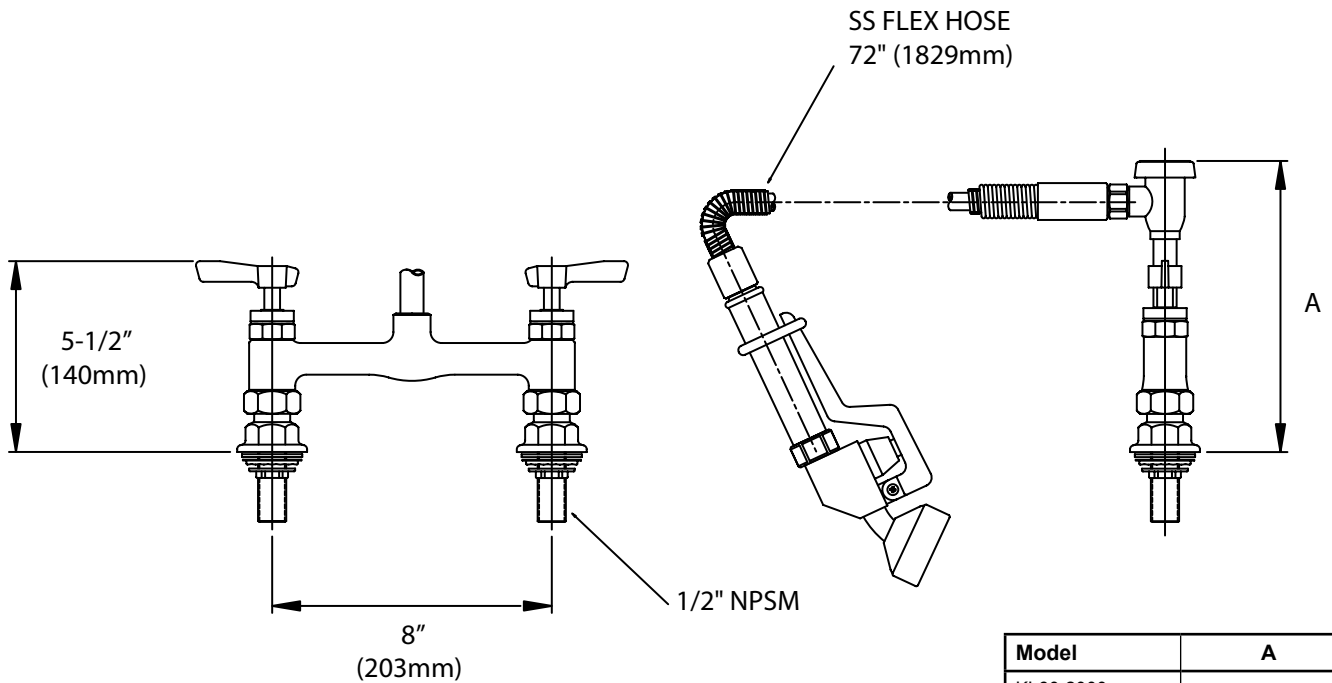


UTILITY SPRAY, DECK MOUNT, ELEVATED BRIDGE, 8" O.C. KL60-2000 SERIES



Model	Flow Rate	Valves	Vacuum Breaker
KL60-2000	3.3GPM	Compression	No
KL60-2100		Ceramic	
KL60-2000-VB	3.3GPM	Compression	Yes
KL60-2100-VB		Ceramic	

Approximate shipping weight - 10 lb
Warranty - 2 years parts



Model	A
KL60-2000	7-3/16" (183mm)
KL60-2100	
KL60-2000-VB	8-3/8" (213mm)
KL60-2100-VB	

For service parts breakdown, refer to page 319.

COMPLIES WITH:
THE FEDERAL "REDUCTION OF LEAD
IN DRINKING WATER ACT" -
2011 - US SENATE BILL NO. S.3874
NSF/ANSI 61/9, ANNEX G



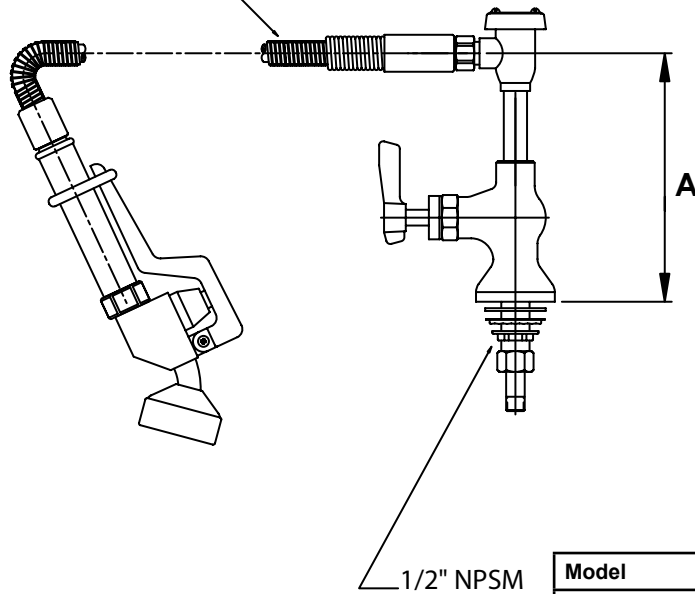
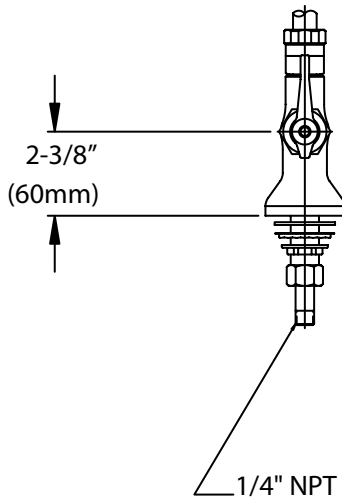
UTILITY SPRAY, DECK MOUNT, SINGLE PANTRY KL63-2000 SERIES

Model	Flow Rate	Valves	Vacuum Breaker
KL63-2000	3.3GPM	Compression	No
KL63-2100		Ceramic	
KL63-2000-VB	3.3GPM	Compression	Yes
KL63-2100-VB		Ceramic	

Approximate shipping weight - 5 lb
Warranty - 2 years parts



SS FLEX HOSE
72" (1829mm)



Model	A
KL63-2000	5-15/16" (151mm)
KL63-2100	
KL63-2000-VB	7-1/8" (180mm)
KL63-2100-VB	

For service parts breakdown, refer to page 326.

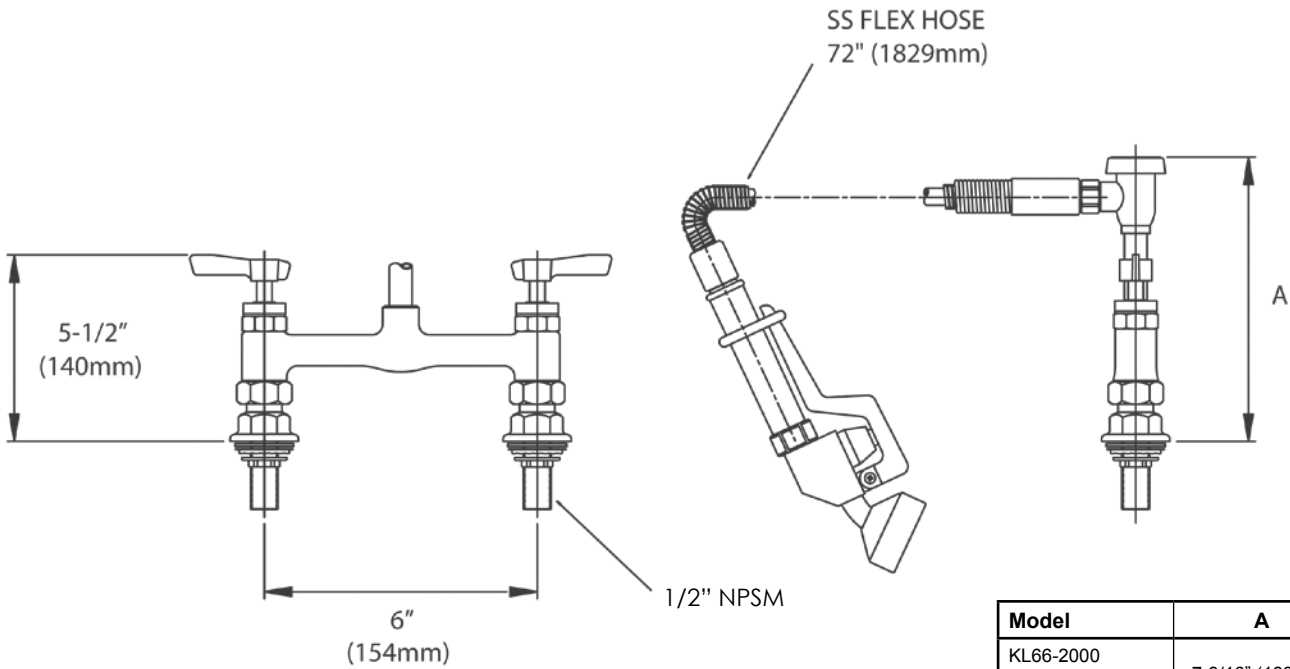
COMPLIES WITH:
THE FEDERAL "REDUCTION OF LEAD
IN DRINKING WATER ACT" -
2011 - US SENATE BILL NO. S.3874
NSF/ANSI 61/9, ANNEX G



UTILITY SPRAY, DECK MOUNT, ELEVATED BRIDGE, 6" O.C. KL66-2000 SERIES

Model	Flow Rate	Valves	Vacuum Breaker
KL66-2000	3.3GPM	Compression	No
KL66-2100		Ceramic	
KL66-2000-VB	3.3GPM	Compression	Yes
KL66-2100-VB		Ceramic	

Approximate shipping weight - 11 lb
Warranty - 2 years parts



Model	A
KL66-2000	7-3/16" (183mm)
KL66-2100	
KL66-2000-VB	8-3/8" (213mm)
KL66-2100-VB	

For service parts breakdown, refer to page 332.

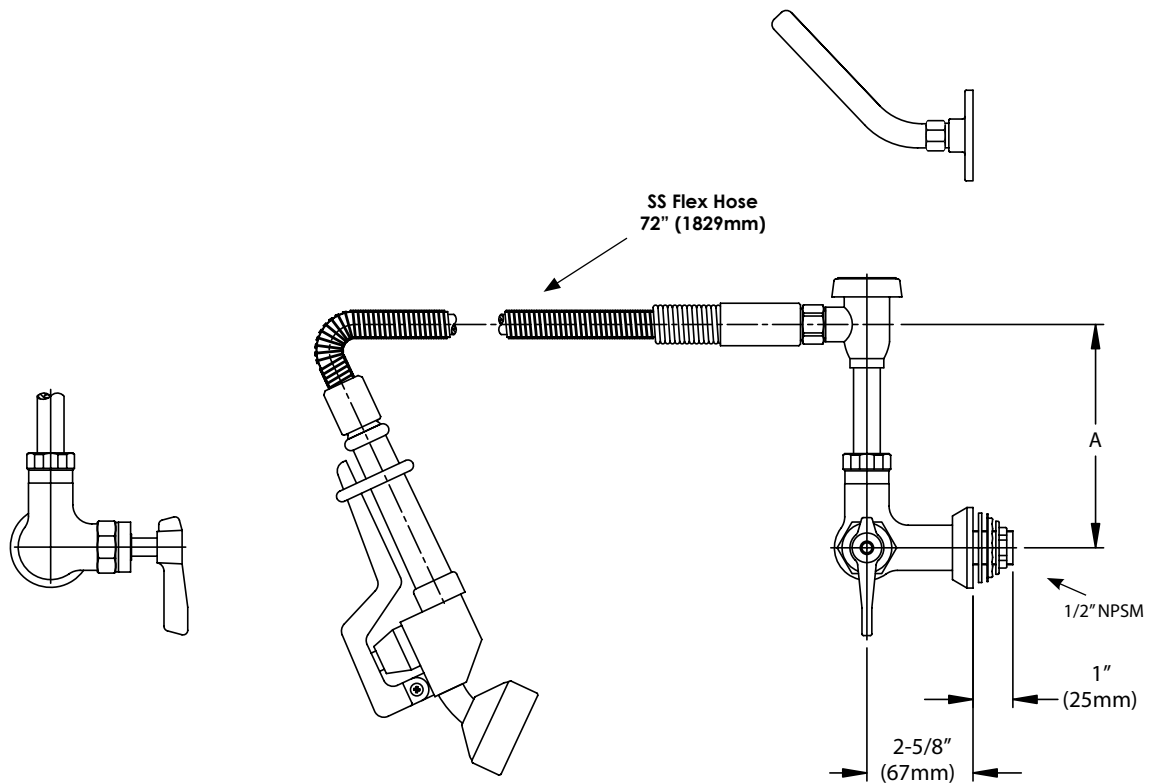
COMPLIES WITH:
THE FEDERAL "REDUCTION OF LEAD
IN DRINKING WATER ACT" -
2011 - US SENATE BILL NO. S.3874
NSF/ANSI 61/9, ANNEX G



UTILITY SPRAY, SINGLE SPLASH MOUNT KL69-2000 SERIES

Model	Flow Rate	Valves	Vacuum Breaker
KL69-2000	3.3GPM	Compression	No
KL69-2100		Ceramic	
KL69-2000-VB	3.3GPM	Compression	Yes
KL69-2100-VB		Ceramic	

Approximate shipping weight - 5 lb
Warranty - 2 years parts



Model	A
KL69-2000	4-3/8" (111mm)
KL69-2100	
KL69-2000-VB	5-9/16" (141mm)
KL69-2100-VB	

For service parts breakdown, refer to page 338.

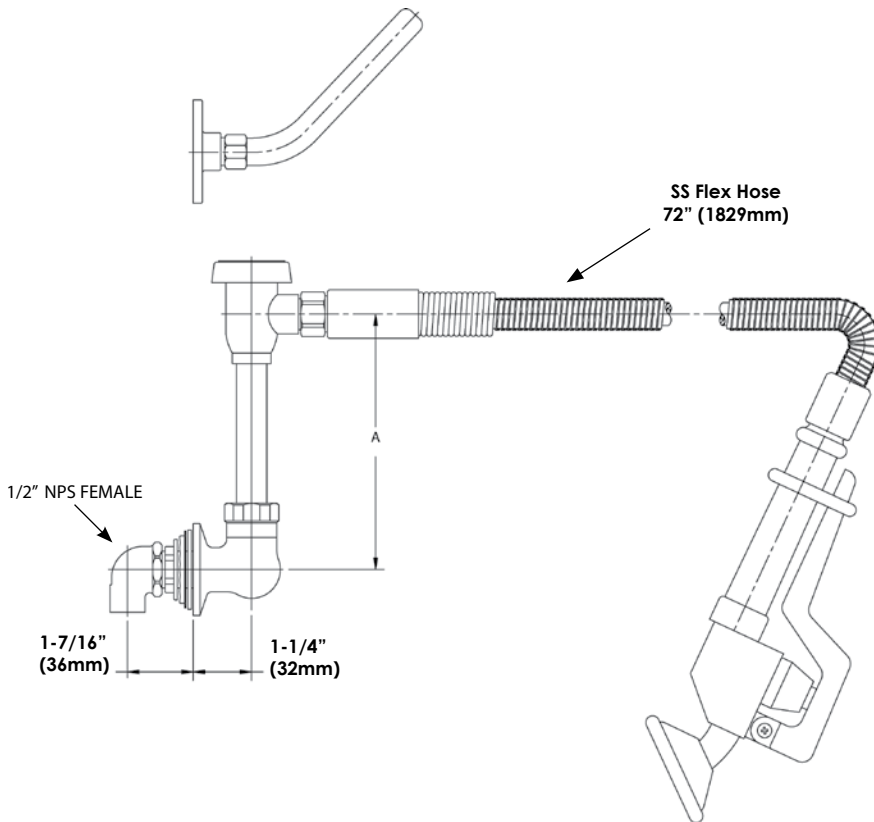
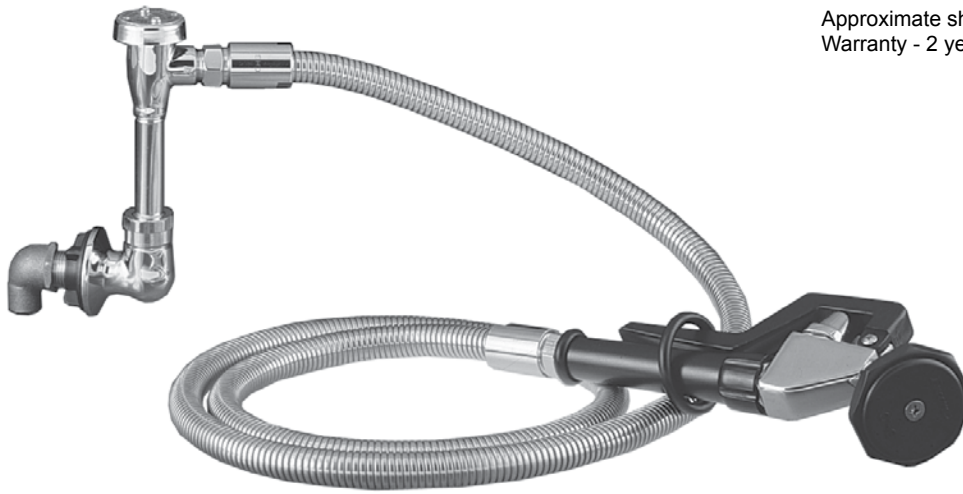
COMPLIES WITH:
THE FEDERAL "REDUCTION OF LEAD
IN DRINKING WATER ACT" -
2011 - US SENATE BILL NO. S.3874
NSF/ANSI 61/9, ANNEX G



UTILITY SPRAY, SPLASH MOUNT KL71-2000 SERIES

Model	Flow Rate	Vacuum Breaker
KL71-2000	3.3GPM	No
KL71-2000-VB		Yes

Approximate shipping weight - 5 lb
Warranty - 2 years parts



Model	A
KL71-2000	4-3/8" (111mm)
KL71-2000-VB	5-9/16" (141mm)

For service parts breakdown, refer to page 343.

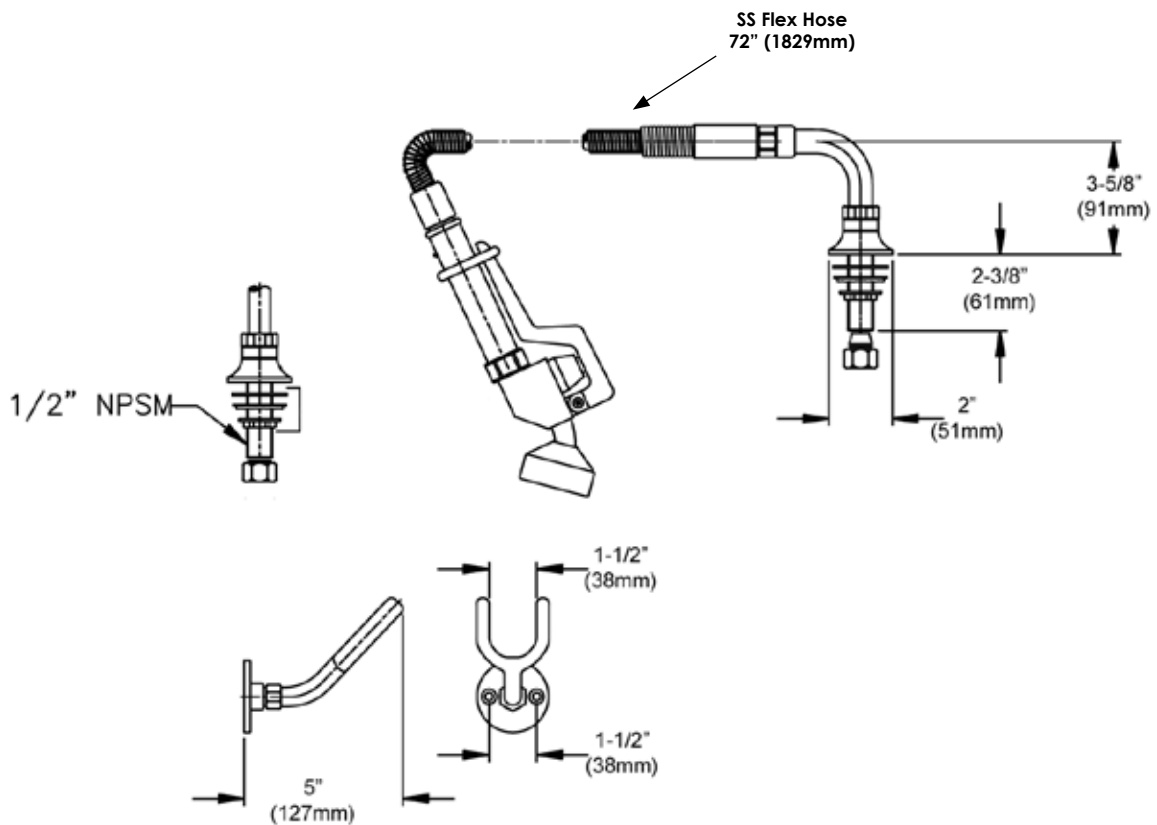
COMPLIES WITH:
THE FEDERAL "REDUCTION OF LEAD
IN DRINKING WATER ACT" -
2011 - US SENATE BILL NO. S.3874
NSF/ANSI 61/9, ANNEX G



UTILITY SPRAY, DECK MOUNT KL73-2000 SERIES

Model	Flow Rate	Vacuum Breaker
KL73-2000	3.3GPM	No
KL73-2000-VB		Yes

Approximate shipping weight - 5 lb
Warranty - 2 years parts



For service parts breakdown, refer to page 348.

COMPLIES WITH:
THE FEDERAL "REDUCTION OF LEAD
IN DRINKING WATER ACT" -
2011 - US SENATE BILL NO. S.3874
NSF/ANSI 61/9, ANNEX G

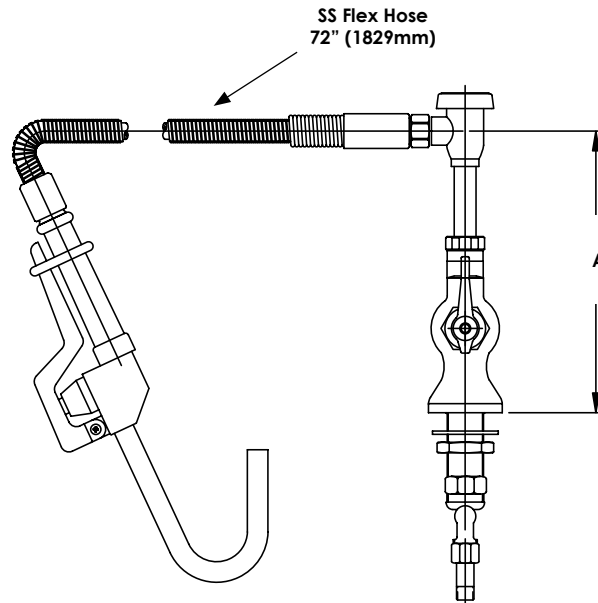
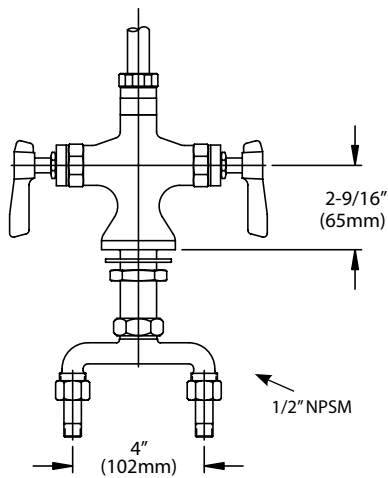
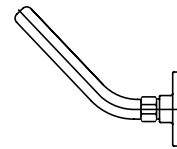


POT FILLER, DECK MOUNT, DOUBLE PANTRY KL50-3000 SERIES



Model	Flow Rate	Valves	Vacuum Breaker
KL50-3000	3.2GPM	Compression	No
KL50-3100		Ceramic	
KL50-3000-VB	3.2GPM	Compression	Yes
KL50-3100-VB		Ceramic	

Approximate shipping weight - 5 lb
Warranty - 2 years parts



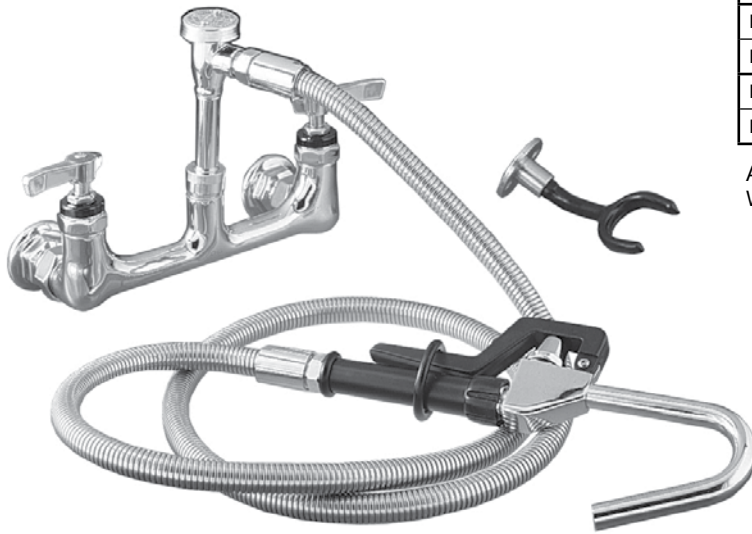
Model	A
KL50-3000	7-3/8" (187mm)
KL50-3100	
KL50-3000-VB	8-9/16" (217mm)
KL50-3100-VB	

For service parts breakdown, refer to page 299.

COMPLIES WITH:
THE FEDERAL "REDUCTION OF LEAD
IN DRINKING WATER ACT" -
2011 - US SENATE BILL NO. S.3874
NSF/ANSI 61/9, ANNEX G

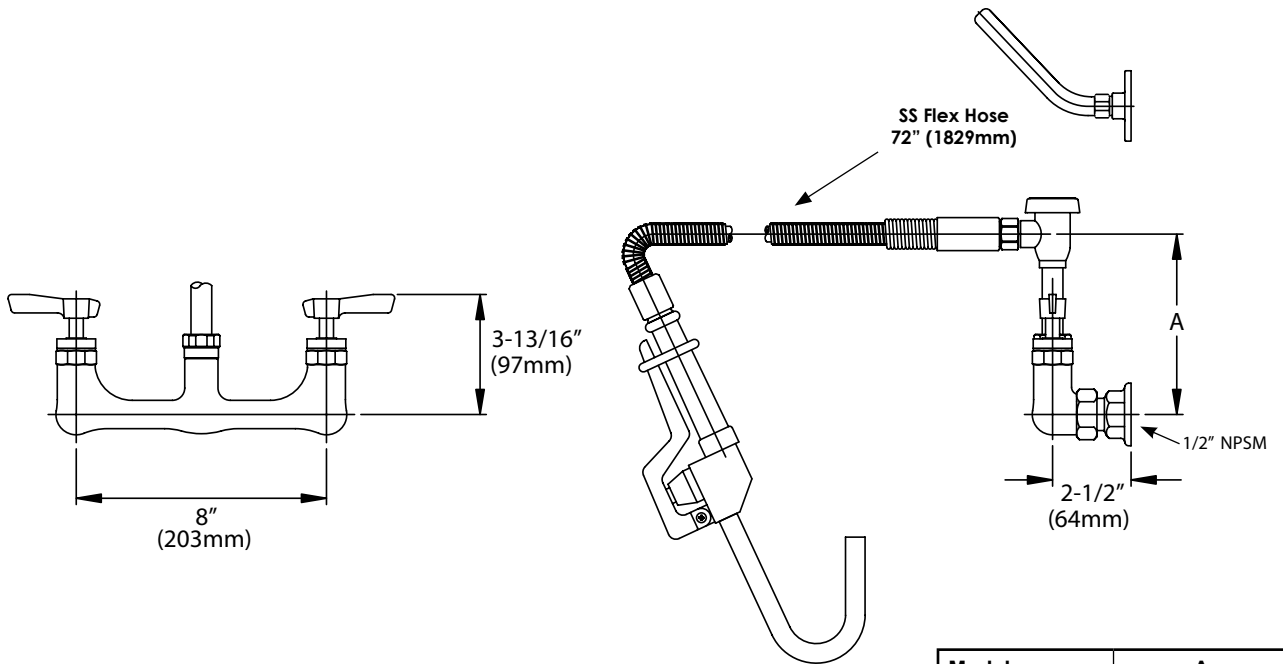


POT FILLER, SPLASH MOUNT, 8" O.C. KL53-3000 SERIES



Model	Flow Rate	Valves	Vacuum Breaker
KL53-3000	3.2GPM	Compression	No
KL53-3100		Ceramic	
KL53-3000-VB	3.2GPM	Compression	Yes
KL53-3100-VB		Ceramic	

Approximate shipping weight - 10 lb
Warranty - 2 years parts



Model	A
KL53-3000	4-9/16" (117mm)
KL53-3100	
KL53-3000-VB	5-3/4" (146mm)
KL53-3100-VB	

For service parts breakdown, refer to page 306.

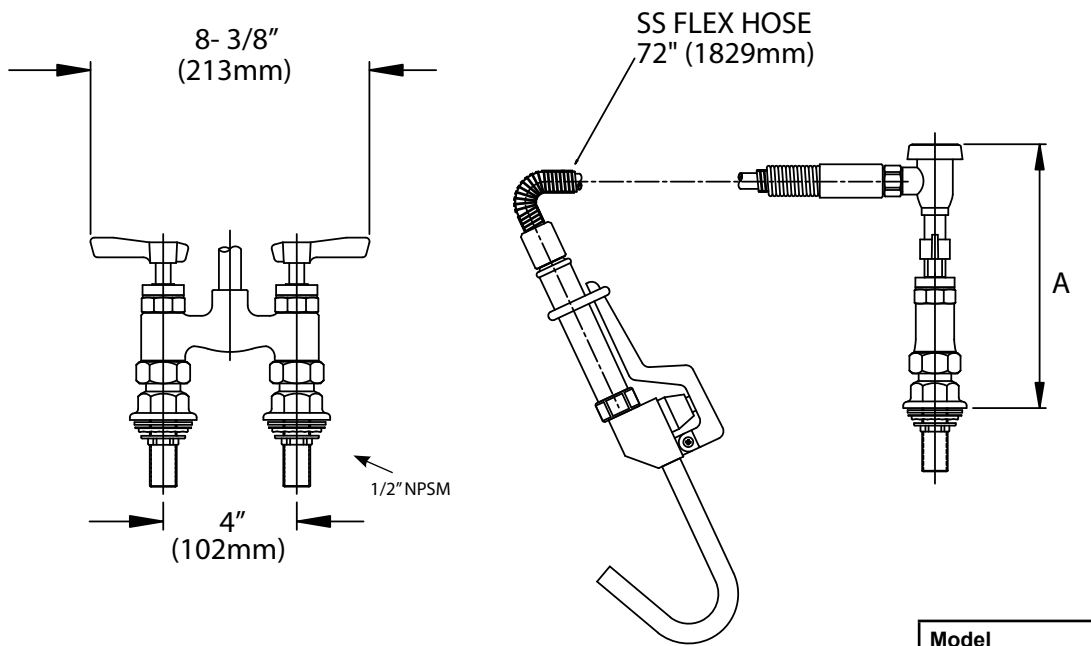
COMPLIES WITH:
THE FEDERAL "REDUCTION OF LEAD
IN DRINKING WATER ACT" -
2011 - US SENATE BILL NO. S.3874
NSF/ANSI 61/9, ANNEX G



POT FILLER, DECK MOUNT, ELEVATED BRIDGE, 4" O.C. KL56-3000 SERIES

Model	Flow Rate	Valves	Vacuum Breaker
KL56-3000	3.2GPM	Compression	No
KL56-3100		Ceramic	
KL56-3000-VB	3.2GPM	Compression	Yes
KL56-3100-VB		Ceramic	

Approximate shipping weight - 10 lb
Warranty - 2 years parts



Model	A
KL56-3000	7-3/16" (183mm)
KL56-3100	
KL56-3000-VB	8-3/8" (213mm)
KL56-3100-VB	

For service parts breakdown, refer to page 313.

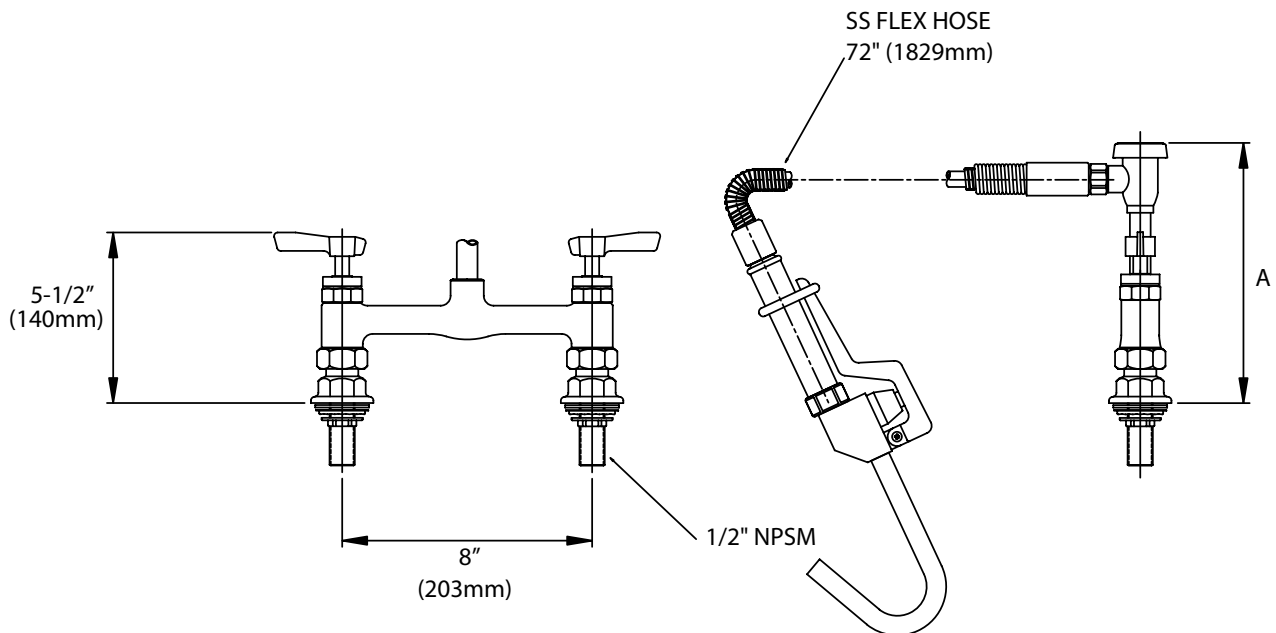
COMPLIES WITH:
THE FEDERAL "REDUCTION OF LEAD
IN DRINKING WATER ACT" -
2011 - US SENATE BILL NO. S.3874
NSF/ANSI 61/9, ANNEX G



POT FILLER, DECK MOUNT, ELEVATED BRIDGE, 8" O.C. KL60-3000 SERIES

Model	Flow Rate	Valves	Vacuum Breaker
KL60-3000	3.2GPM	Compression	No
KL60-3100		Ceramic	
KL60-3000-VB	3.2GPM	Compression	Yes
KL60-3100-VB		Ceramic	

Approximate shipping weight - 11 lb
Warranty - 2 years parts



Model	A
KL60-3000	7-3/16" (183mm)
KL60-3100	
KL60-3000-VB	8-3/8" (213mm)
KL60-3100-VB	

For service parts breakdown, refer to page 320.

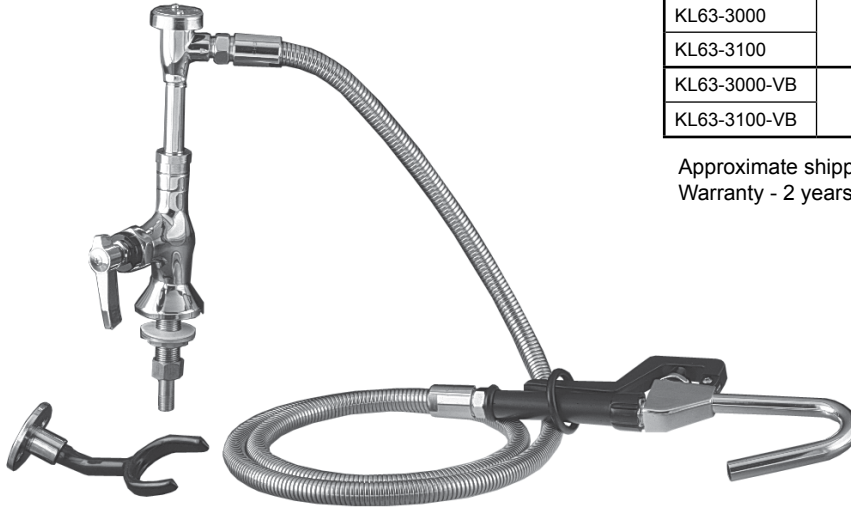
COMPLIES WITH:
THE FEDERAL "REDUCTION OF LEAD
IN DRINKING WATER ACT" -
2011 - US SENATE BILL NO. S.3874
NSF/ANSI 61/9, ANNEX G



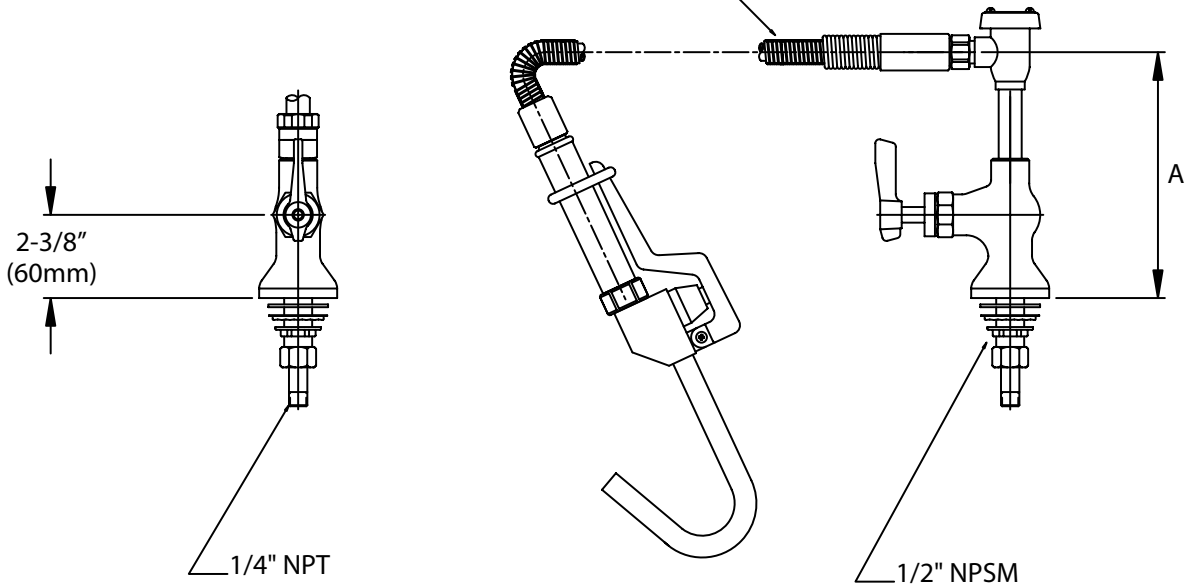
POT FILLER, DECK MOUNT, SINGLE PANTRY KL63-3000 SERIES

Model	Flow Rate	Valves	Vacuum Breaker
KL63-3000	3.2GPM	Compression	No
KL63-3100		Ceramic	
KL63-3000-VB	3.2GPM	Compression	Yes
KL63-3100-VB		Ceramic	

Approximate shipping weight - 5 lb
Warranty - 2 years parts



SS FLEX HOSE
72" (1829mm)



Model	A
KL63-3000	5-15/16" (151mm)
KL63-3100	
KL63-3000-VB	7-1/8" (180mm)
KL63-3100-VB	

For service parts breakdown, refer to page 327.

COMPLIES WITH:
THE FEDERAL "REDUCTION OF LEAD
IN DRINKING WATER ACT" -
2011 - US SENATE BILL NO. S.3874
NSF/ANSI 61/9, ANNEX G

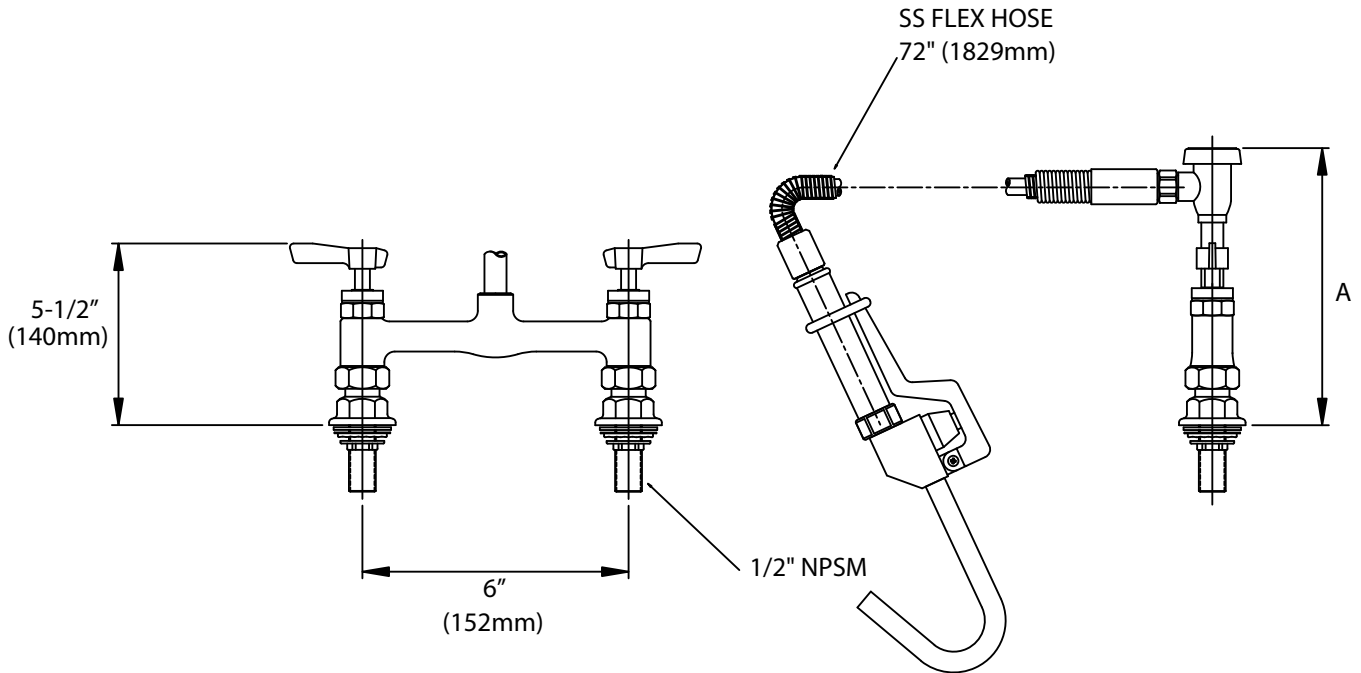


POT FILLER, DECK MOUNT, ELEVATED BRIDGE, 6" O.C. KL66-3000 SERIES



Model	Flow Rate	Valves	Vacuum Breaker
KL66-3000	3.2GPM	Compression	No
KL66-3100		Ceramic	
KL66-3000-VB	3.2GPM	Compression	Yes
KL66-3100-VB		Ceramic	

Approximate shipping weight - 11 lb
Warranty - 2 years parts



Model	A
KL66-3000	7-3/16" (183mm)
KL66-3100	
KL66-3000-VB	8-3/8" (213mm)
KL66-3100-VB	

For service parts breakdown, refer to page 333.

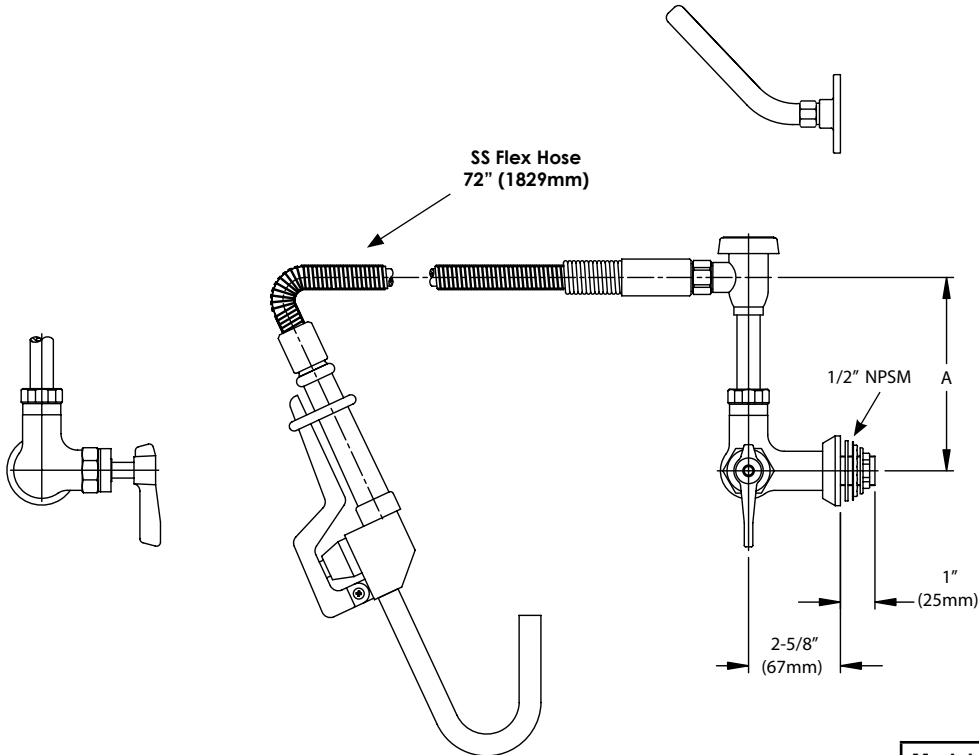
COMPLIES WITH:
THE FEDERAL "REDUCTION OF LEAD
IN DRINKING WATER ACT" -
2011 - US SENATE BILL NO. S.3874
NSF/ANSI 61/9, ANNEX G



POT FILLER, SINGLE SPLASH MOUNT KL69-3000 SERIES

Model	Flow Rate	Valves	Vacuum Breaker
KL69-3000	3.2GPM	Compression	No
KL69-3100		Ceramic	
KL69-3000-VB	3.2GPM	Compression	Yes
KL69-3100-VB		Ceramic	

Approximate shipping weight - 5 lb
Warranty - 2 years parts



Model	A
KL69-3000	4-3/8" (111mm)
KL69-3100	
KL69-3000-VB	5-9/16" (141mm)
KL69-3100-VB	

For service parts breakdown, refer to page 339.

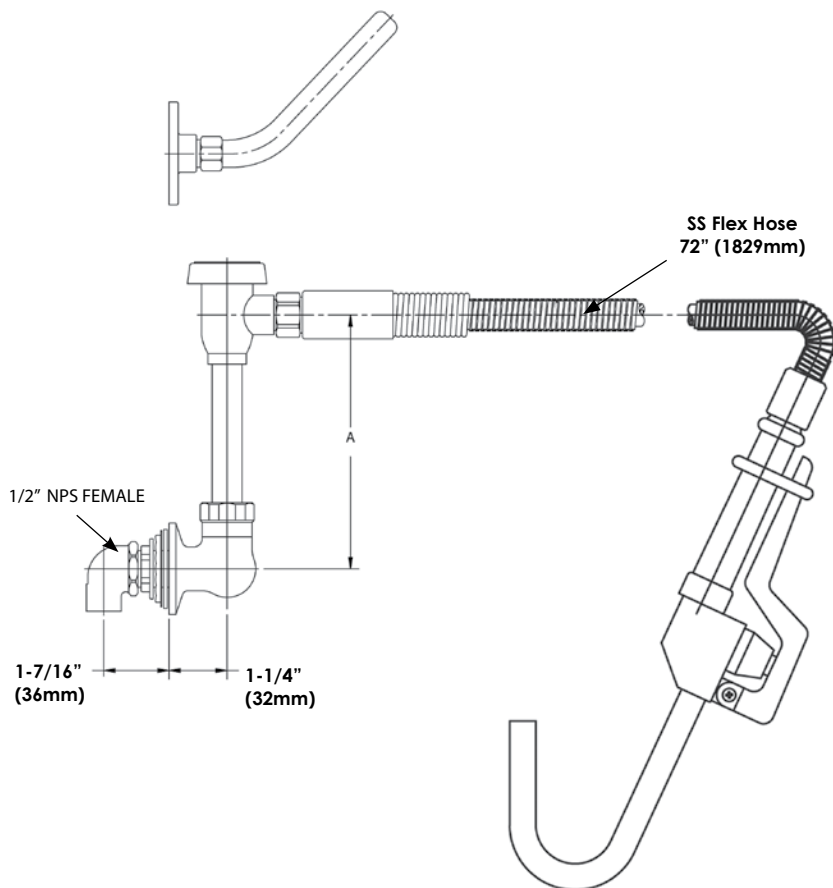
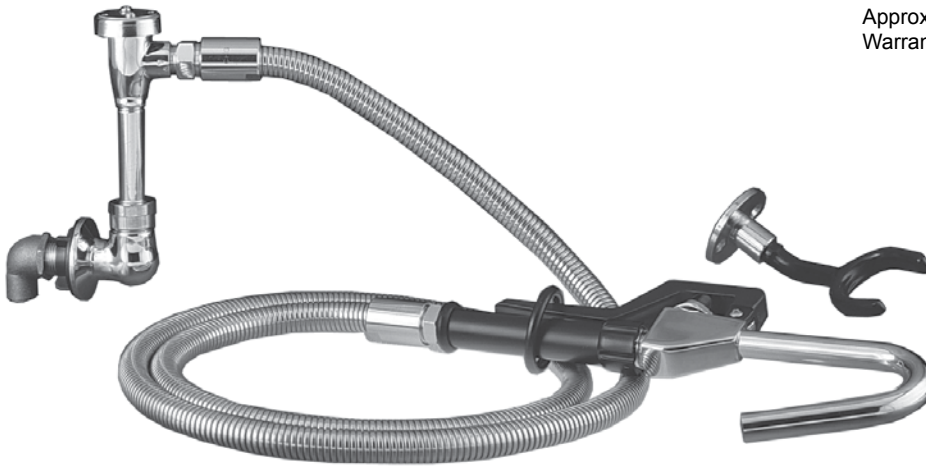
COMPLIES WITH:
THE FEDERAL "REDUCTION OF LEAD
IN DRINKING WATER ACT" -
2011 - US SENATE BILL NO. S.3874
NSF/ANSI 61/9, ANNEX G



POT FILLER, SPLASH MOUNT KL71-3000 SERIES

Model	Flow Rate	Vacuum Breaker
KL71-3000	3.2GPM	No
KL71-3000-VB		Yes

Approximate shipping weight - 5 lb
Warranty - 2 years parts



Model	A
KL71-3000	4-3/8" (111mm)
KL71-3000-VB	5-9/16" (141mm)

For service parts breakdown, refer to page 344.

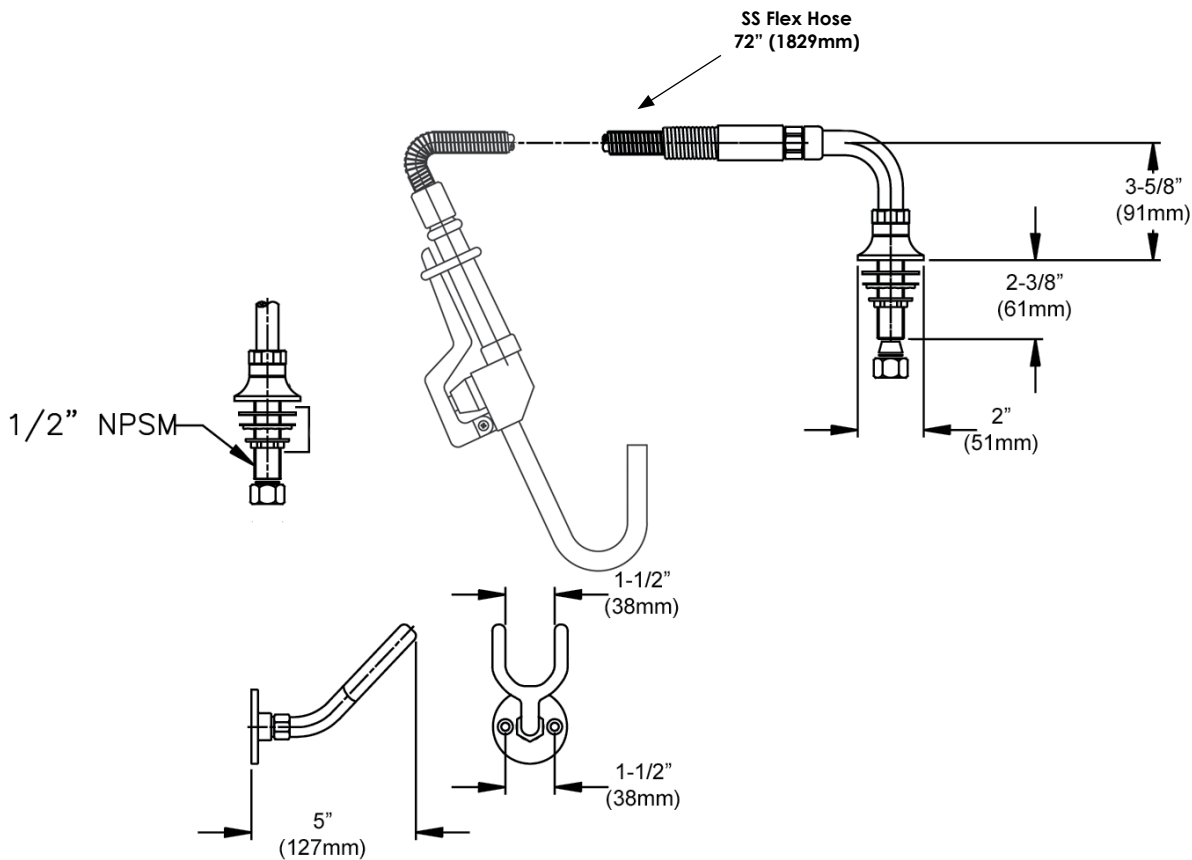
COMPLIES WITH:
THE FEDERAL "REDUCTION OF LEAD
IN DRINKING WATER ACT" -
2011 - US SENATE BILL NO. S.3874
NSF/ANSI 61/9, ANNEX G



POT FILLER, DECK MOUNT KL73-3000 SERIES

Model	Flow Rate	Vacuum Breaker
KL73-3000	3.2GPM	No
KL73-3000-VB		Yes

Approximate shipping weight - 5 lb
Warranty - 2 years parts



For service parts breakdown, refer to page 349.

COMPLIES WITH:
THE FEDERAL "REDUCTION OF LEAD
IN DRINKING WATER ACT" -
2011 - US SENATE BILL NO. S.3874
NSF/ANSI 61/9, ANNEX G



FAUCET, SINGLE HOLE DECK MOUNT BASE KL74-9000 SERIES MODEL CONFIGURATOR

K x x x - x 0 x x - x x

BODY

KL74 = CP POLISHED LOW LEAD BRASS SINGLE HOLE BASE

INLET

9 = SINGLE 1/2" NPSM INTEGRAL CAST INLETS

SPOUT

00 = 3-1/2" (89mm) GOOSENECK
01 = 8-1/2" (216mm) GOOSENECK
02 = 6" (152mm) GOOSENECK
06 = 6" (152mm) TUBULAR SWING SPOUT
08 = 8" (203mm) TUBULAR SWING SPOUT
10 = 10" (254mm) TUBULAR SWING SPOUT
12 = 12" (305mm) TUBULAR SWING SPOUT
14 = 14" (356mm) TUBULAR SWING SPOUT
16 = 16" (406mm) TUBULAR SWING SPOUT
18 = 18" (457mm) DOUBLE JOINTED SWING SPOUT
18A = 18" (457mm) TUBULAR SWING SPOUT
24 = 24" (609mm) DOUBLE JOINTED SWING SPOUT

SPOUT STYLE

S = ADJUSTABLE SPOUT
R = RIGID TUBULAR SPOUT

AERATOR

A = 0.5 GPM PCA SPRAY VANDAL RESISTANT
B = 1.5 GPM MAX LAMINAR VANDAL RESISTANT
C = 0.5 GPM PCA SPRAY
D = 1.5 GPM MAX LAMINAR
E = 2.2 GPM MAX AERATED STREAM
F = 2.2 GPM MAX AERATED STREAM VANDAL RESISTANT
H = 2.2 GPM MAX AERATED STREAM VANDAL & HOSE RESISTANT
J = .35 GPM PCA SPRAY
L = .35 GPM PCA SPRAY VANDAL RESISTANT
M = 1.0 GPM PCA LAMINAR FLOW
S = 6.0 GPM MAX WIDE ROSE SPRAY

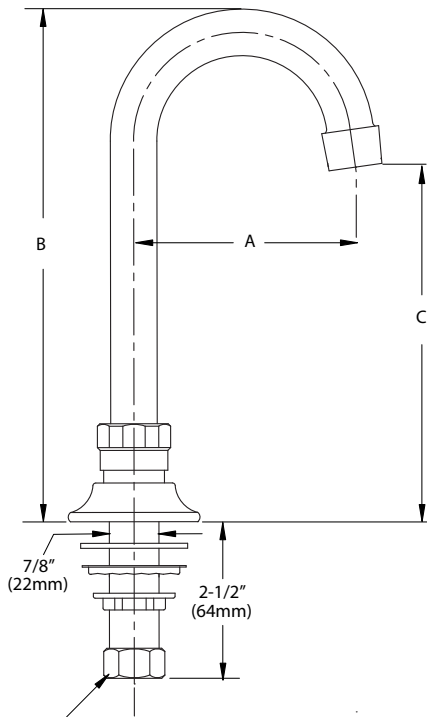
FAUCET, SINGLE HOLE DECK MOUNT BASE KL74-9000 SERIES



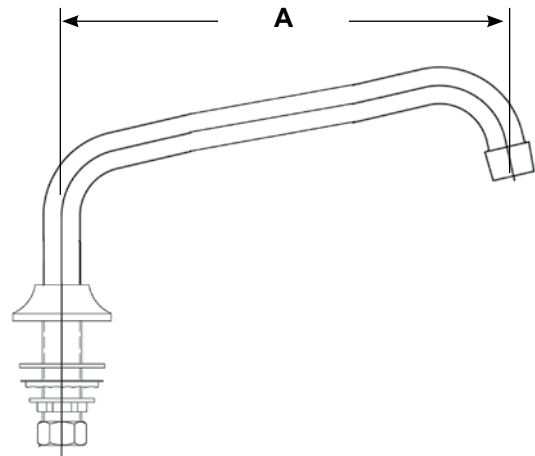
KL74-900x-x Series



KL74-90xx Series



1/2" NPSM COUPLING NUT & SEAL FOR 1/2" FLEXIBLE RISER



Model No.	Spout	Flow Rate	A	B	C
KL74-9000-R	Rigid Gooseneck	2.2GPM	3-1/2" (89mm)	8" (203mm)	5-1/2" (140mm)
KL74-9001-R			8-1/2" (216mm)	12" (305mm)	6" (152mm)
KL74-9002-R			6" (152mm)	9-1/4" (152mm)	5-1/4" (133mm)
KL74-9000	Adjustable Gooseneck	2.2GPM	3-1/2" (89mm)	8" (203mm)	5-1/2" (140mm)
KL74-9001			8" (203mm)	14-1/2" (368mm)	8-1/2" (216mm)
KL74-9002			6" (152mm)	9-1/4" (152mm)	5-1/4" (133mm)

Model No.	Spout	Flow Rate	A
KL74-9006	Stainless Steel Tubular Swing	2.2GPM	6" (152mm)
KL74-9008			8" (203mm)
KL74-9010			10" (254mm)
KL74-9012			12" (305mm)
KL74-9014			14" (356mm)
KL74-9016			16" (406mm)
KL74-9018			18" (457mm)

For additional technical information visit our website for specification sheets.

COMPLIES WITH:
THE FEDERAL "REDUCTION OF LEAD
IN DRINKING WATER ACT" -
2011 - US SENATE BILL NO. S.3874
NSF/ANSI 61/9, ANNEX G



For service parts breakdown, refer to pages 350-351.

FAUCET, SINGLE PANTRY DECK MOUNT KL64-9000 SERIES MODEL CONFIGURATOR

K X X X - X X X X - X X X

BODY

KL64 = CP POLISHED LOW LEAD BRASS SINGLE PANTRY BODY

INLET

9 = SINGLE 1/2" NPSM INTEGRAL CAST INLETS

VALVE

0 = 1/4 TURN STANDARD ENCORE® COMPRESSION VALVE W/BUILT IN CHECK
1 = 1/4 TURN CERAMIC VALVE W/ INLINE CHECK VALVE

SPOUT

00 = 3-1/2" (89mm) GOOSENECK
01 = 8-1/2" (216mm) GOOSENECK
02 = 6" (152mm) GOOSENECK
06 = 6" (152mm) TUBULAR OR CAST SWING SPOUT
08 = 8" (203mm) TUBULAR SWING SPOUT
10 = 10" (254mm) TUBULAR SWING SPOUT
12 = 12" (305mm) TUBULAR SWING SPOUT
14 = 14" (356mm) TUBULAR SWING SPOUT
16 = 16" (406mm) TUBULAR SWING SPOUT
18 = 18" (457mm) DOUBLE JOINTED SWING SPOUT
18A = 18" (457mm) TUBULAR SWING SPOUT
24 = 24" (609mm) DOUBLE JOINTED SWING SPOUT

SPOUT STYLE

S = ADJUSTABLE SPOUT
R = RIGID TUBULAR SPOUT
T = CAST TUBULAR SPOUT (6" ONLY)

AERATOR

A = 0.5 GPM PCA SPRAY VANDAL RESISTANT
B = 1.5 GPM MAX LAMINAR VANDAL RESISTANT
C = 0.5 GPM PCA SPRAY
D = 1.5 GPM MAX LAMINAR
E = 2.2 GPM MAX AERATED STREAM
F = 2.2 GPM MAX AERATED STREAM VANDAL RESISTANT
H = 2.2 GPM MAX AERATED STREAM VANDAL & HOSE RESISTANT
J = .35 GPM PCA SPRAY
L = .35 GPM PCA SPRAY VANDAL RESISTANT
M = 1.0 GPM PCA LAMINAR FLOW
S = 6.0 GPM MAX WIDE ROSE SPRAY

HANDLE

1 = STANDARD ENCORE® LEVER
2 = CROSS
4 = 4" (102mm) WRIST BLADE
5 = STANDARD LEVER W/TAMPER PROOF SCREW
6 = 6" (152mm) WRIST BLADE
7 = 4" (102mm) WRIST BLADE W/ TAMPER PROOF SCREW
8 = 6" (152mm) WRIST BLADE W/TAMPER PROOF SCREW

FAUCET, SINGLE PANTRY DECK MOUNT KL64-9000 SERIES



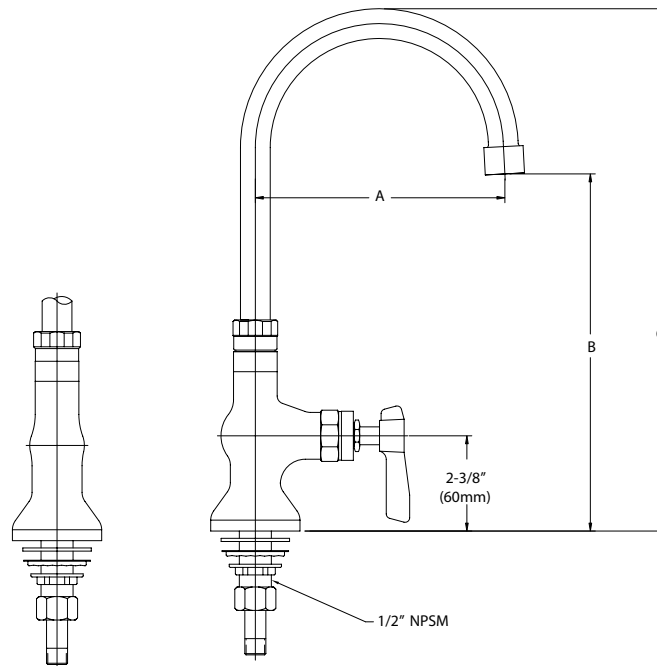
KL64-9x0x-xE4 Series



KL64-9x0x-xE1 Series



KL64-9x0x-xE2 Series



Model No.	Spout	Flow Rate	Handles	Valves	A	B	C
KL64-9100-RE1	Rigid Gooseneck	2.2GPM	Standard Lever	Ceramic	3-1/2" (89mm)	8-9/16" (217mm)	10-13/16" (275mm)
KL64-9000-RE1				Compression			
KL64-9102-RE1				Ceramic	6" (152mm)	8-1/16" (205mm)	11-3/4" (370mm)
KL64-9002-RE1				Compression			
KL64-9101-RE1				Ceramic	8-1/2" (216mm)	8-13/16" (205mm)	11-3/4" (298mm)
KL64-9001-RE1				Compression			
KL64-9100-SE1	Adjustable Gooseneck	2.2GPM	Standard Lever	Ceramic	3-1/2" (89mm)	9-3/8" (238mm)	11-5/8" (295mm)
KL64-9000-SE1				Compression			
KL64-9102-SE1				Ceramic	6" (152mm)	11-3/8" (289mm)	15-1/16" (383mm)
KL64-9002-SE1				Compression			
KL64-9101-SE1				Ceramic	8" (203mm)	15-1/8" (384mm)	17-7/8" (454mm)
KL64-9001-SE1				Compression			

For additional technical information visit our website for specification sheets.

COMPLIES WITH:
THE FEDERAL "REDUCTION OF LEAD
IN DRINKING WATER ACT" -
2011 - US SENATE BILL NO. S.3874
NSF/ANSI 61/9, ANNEX G



For service parts breakdown, refer to page 328.

FAUCET, SINGLE PANTRY DECK MOUNT KL64-9000 SERIES



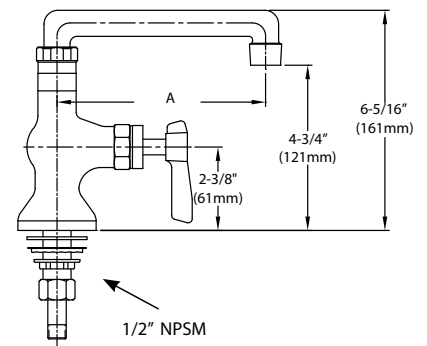
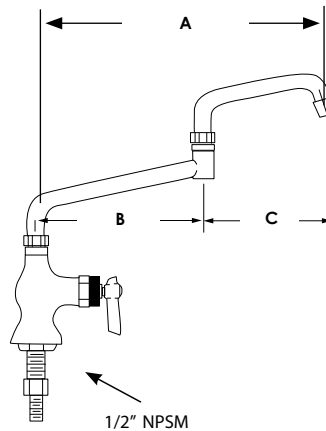
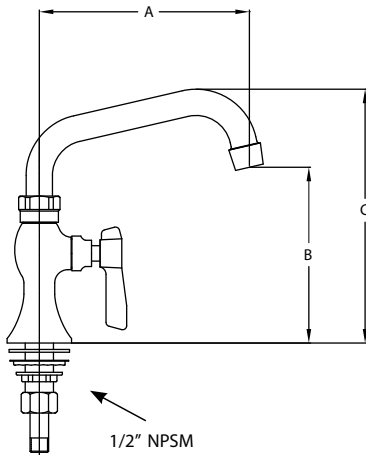
KL64-9x0x-SE1 Series



KL64-9xxx-SE1 Series



KL64-9x0x-TE1 Series



Model No.	Spout	Flow Rate	Handles	Valves	A	B	C			
KL64-9106-SE1	Stainless Steel Tubular Swing	2.2GPM	Standard Lever	Ceramic	6" (152mm)	6-1/16" (154mm)	8-5/16" (211mm)			
KL64-9006-SE1				Compression	8" (203mm)	6-9/16" (167mm)	8-13/16" (224mm)			
KL64-9108-SE1				Ceramic						
KL64-9008-SE1				Compression						
KL64-9110-SE1				Ceramic				10" (254mm)	7" (179mm)	9-1/4" (235mm)
KL64-9010-SE1				Compression						
KL64-9112-SE1				Ceramic				12" (305mm)	7-7/16" (189mm)	9-11/16" (246mm)
KL64-9012-SE1				Compression						
KL64-9114-SE1				Ceramic				14" (356mm)	7-7/8" (200mm)	10-1/8" (257mm)
KL64-9014-SE1				Compression						
KL64-9116-SE1				Ceramic				16" (406mm)	8-5/16" (211mm)	10-9/16" (268mm)
KL64-9016-SE1				Compression						
KL64-9118-SE1				Double Jointed Stainless Steel Tubular Swing				2.2GPM	Standard Lever	Ceramic
KL64-9018-SE1	Compression									
KL64-9124-SE1	Ceramic	24" (609mm)	12" (305mm)		12" (305mm)					
KL64-9024-SE1	Compression									
KL64-9106-TE1	Cast Tubular Swing	2.2GPM	Standard Lever	Ceramic	6" (152mm)	—	—			
KL64-9006-TE1				Compression						
KL64-9108-TE1				Ceramic	8" (203mm)	—	—			
KL64-9008-TE1				Compression						

For additional technical information visit our website for specification sheets.

COMPLIES WITH:
THE FEDERAL "REDUCTION OF LEAD
IN DRINKING WATER ACT" –
2011 – US SENATE BILL NO. S.3874
NSF/ANSI 61/9, ANNEX G



For service parts breakdown, refer to page 329.

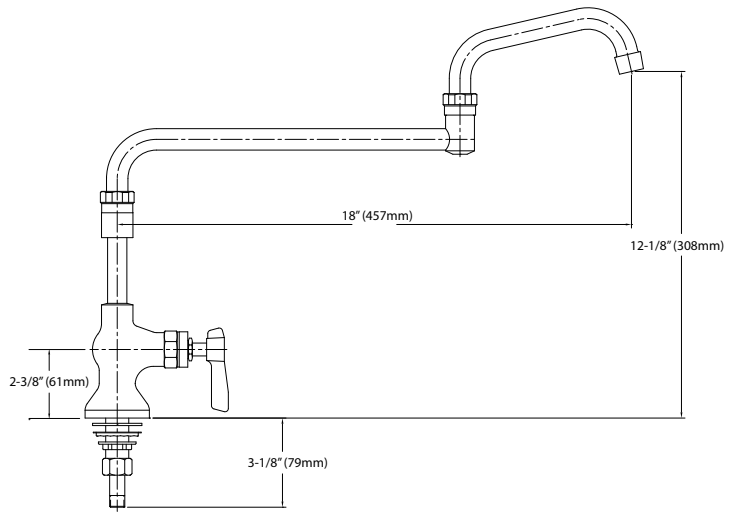
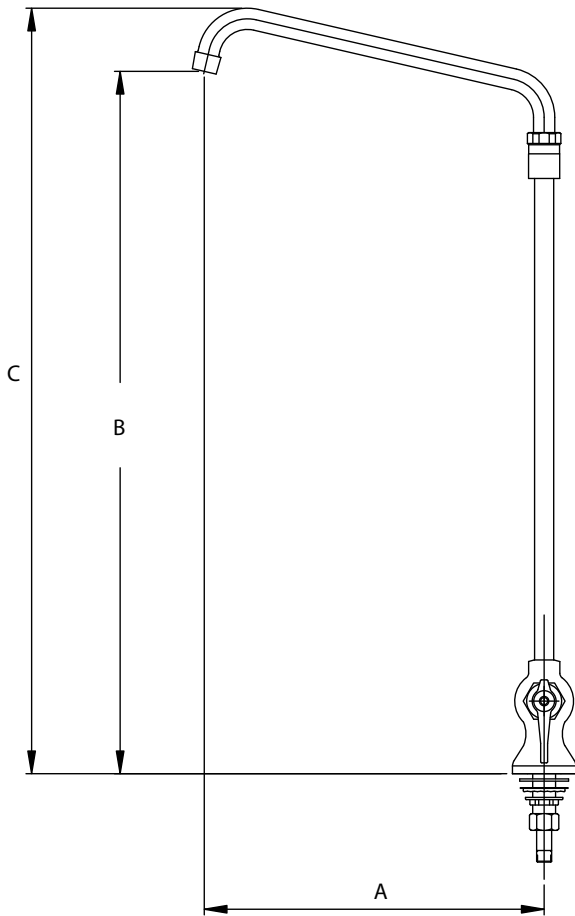
FAUCET, ELEVATED SWING SPOUT, SINGLE PANTRY DECK MOUNT KL65-9000 SERIES



KL65-901x-SE1 Series



KL65-9018-SP1 Series



Model No.	Spout	Flow Rate	Handles	Valves	A	B	C
KL65-9010-SE1	Stainless Steel Tubular Swing	2.2GPM	Standard Lever	Compression	10" (254mm)	24-5/16" (618mm)	26-9/16" (675mm)
KL65-9012-SE1					12" (305mm)	24-13/16" (630mm)	27" (686mm)
KL65-9018-SP1					—	—	—

For additional technical information visit our website for specification sheets.

COMPLIES WITH:
THE FEDERAL "REDUCTION OF LEAD
IN DRINKING WATER ACT" -
2011 - US SENATE BILL NO. S.3874
NSF/ANSI 61/9, ANNEX G



For service parts breakdown, refer to page 330.

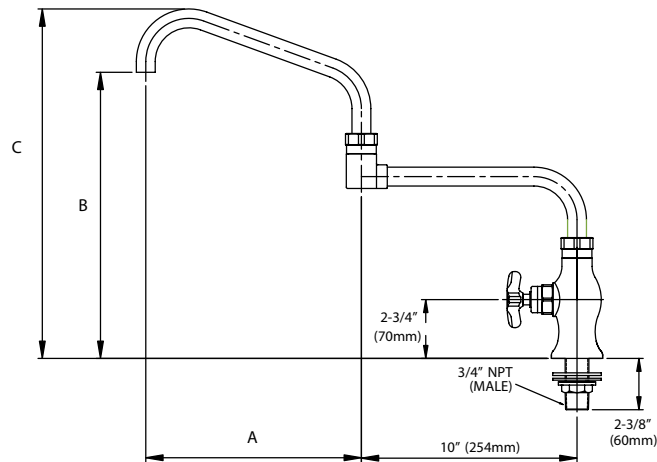
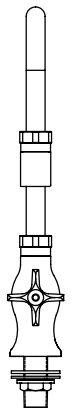
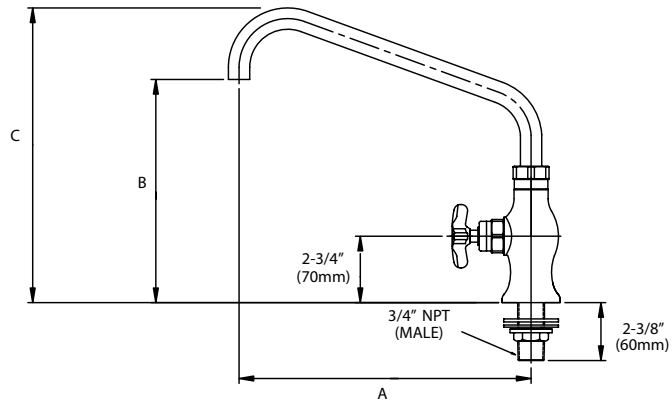
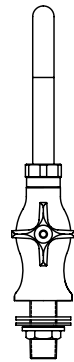
FAUCET, SINGLE PANTRY DECK MOUNT, 3/4" KL33-9000 SERIES



KL33-901x-SE2 Series



KL33-902x-SE2 Series



Model No.	Spout	Supply Pressure	Flow Rate	Handles	Valves	A	B	C
KL33-9010-SE2	Stainless Steel Tubular Swing	50PSI	32GPM	Standard Cross	Compression	10" (254mm)	8-3/8" (213mm)	11-3/8" (289mm)
KL33-9018-SE2		60PSI	35GPM			18" (457mm)	11-3/8" (289mm)	14-3/8" (365mm)
KL33-9020-SE2	Double Jointed Stainless Steel Tubular Swing	50PSI	32GPM	Standard Cross	Compression	10" (254mm)	8-3/8" (213mm)	16-1/4" (413mm)
KL33-9028-SE2		60PSI	35GPM			18" (457mm)	16-1/4" (413mm)	19-1/4" (489mm)

For additional technical information visit our website for specification sheets.

COMPLIES WITH:
THE FEDERAL "REDUCTION OF LEAD
IN DRINKING WATER ACT" -
2011 - US SENATE BILL NO. S.3874
NSF/ANSI 61/9, ANNEX G



For service parts breakdown, refer to page 285.

FAUCET, DOUBLE PANTRY DECK MOUNT KL51-9000 SERIES MODEL CONFIGURATOR

K x x x - x x x x - x x x

BODY

KL51 = CP POLISHED LOW LEAD BRASS DOUBLE PANTRY BODY

INLET

9 = SINGLE 1/2" NPSM INTEGRAL CAST INLETS

VALVE

0 = 1/4 TURN STANDARD ENCORE® COMPRESSION VALVE W/BUILT IN CHECK

1 = 1/4 TURN CERAMIC VALVE W/ INLINE CHECK VALVE

SPOUT

00 = 3-1/2" (89mm) GOOSENECK

01 = 8-1/2" (216mm) GOOSENECK

02 = 6" (152mm) GOOSENECK

06 = 6" (152mm) TUBULAR OR CAST SWING SPOUT

08 = 8" (203mm) TUBULAR SWING SPOUT

10 = 10" (254mm) TUBULAR SWING SPOUT

12 = 12" (305mm) TUBULAR SWING SPOUT

14 = 14" (356mm) TUBULAR SWING SPOUT

16 = 16" (406mm) TUBULAR SWING SPOUT

18 = 18" (457mm) DOUBLE JOINTED SWING SPOUT

18A = 18" (457mm) TUBULAR SWING SPOUT

24 = 24" (609mm) DOUBLE JOINTED SWING SPOUT

SPOUT STYLE

S = ADJUSTABLE SPOUT

R = RIGID TUBULAR SPOUT

T = CAST TUBULAR SPOUT (6" ONLY)

AERATOR

A = 0.5 GPM PCA SPRAY VANDAL RESISTANT

B = 1.5 GPM MAX LAMINAR VANDAL RESISTANT

C = 0.5 GPM PCA SPRAY

D = 1.5 GPM MAX LAMINAR

E = 2.2 GPM MAX AERATED STREAM

F = 2.2 GPM MAX AERATED STREAM VANDAL RESISTANT

H = 2.2 GPM MAX AERATED STREAM VANDAL & HOSE RESISTANT

J = .35 GPM PCA SPRAY

L = .35 GPM PCA SPRAY VANDAL RESISTANT

M = 1.0 GPM PCA LAMINAR FLOW

S = 6.0 GPM MAX WIDE ROSE SPRAY

HANDLE

1 = STANDARD ENCORE® LEVER

2 = CROSS

4 = 4" (102mm) WRIST BLADE

5 = STANDARD LEVER W/TAMPER PROOF SCREW

6 = 6" (152mm) WRIST BLADE

7 = 4" (102mm) WRIST BLADE W/ TAMPER PROOF SCREW

8 = 6" (152mm) WRIST BLADE W/TAMPER PROOF SCREW

FAUCET, DOUBLE PANTRY DECK MOUNT KL51-9000 SERIES



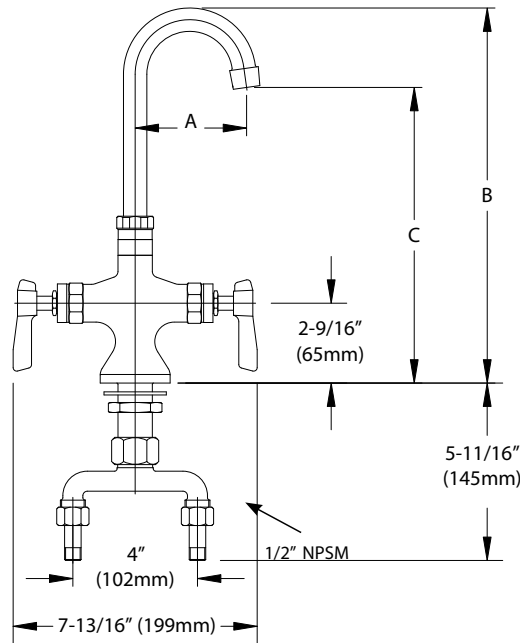
KL51-9x0x-xE1 Series



KL51-9x0x-xE2 Series



KL51-9x0x-xE4 Series



Model No.	Spout	Flow Rate	Handles	Valves	A	B	C
KL51-9100-RE1	Rigid Gooseneck	2.2GPM	Standard Lever	Ceramic	3-1/2" (89mm)	11-7/8" (300mm)	9-1/4" (235mm)
KL51-9000-RE1				Compression	6" (152mm)	12-3/4" (320mm)	9" (230mm)
KL51-9102-RE1				Ceramic			
KL51-9002-RE1				Compression			
KL51-9101-RE1				Ceramic			
KL51-9001-RE1				Compression	Adjustable Gooseneck	Standard Lever	Ceramic
KL51-9100-SE1	Compression	6" (152mm)	12-3/4" (320mm)	9" (230mm)			
KL51-9102-SE1	Ceramic						
KL51-9002-SE1	Compression						
KL51-9101-SE1	Ceramic						8" (203mm)
KL51-9001-SE1	Compression						

For additional technical information visit our website for specification sheets.

COMPLIES WITH:
THE FEDERAL "REDUCTION OF LEAD
IN DRINKING WATER ACT" -
2011 - US SENATE BILL NO. S.3874
NSF/ANSI 61/9, ANNEX G



For service parts breakdown, refer to page 301.

FAUCET, DOUBLE PANTRY DECK MOUNT KL51-9000 SERIES



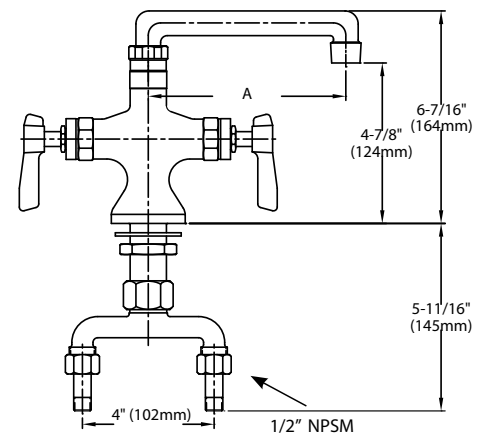
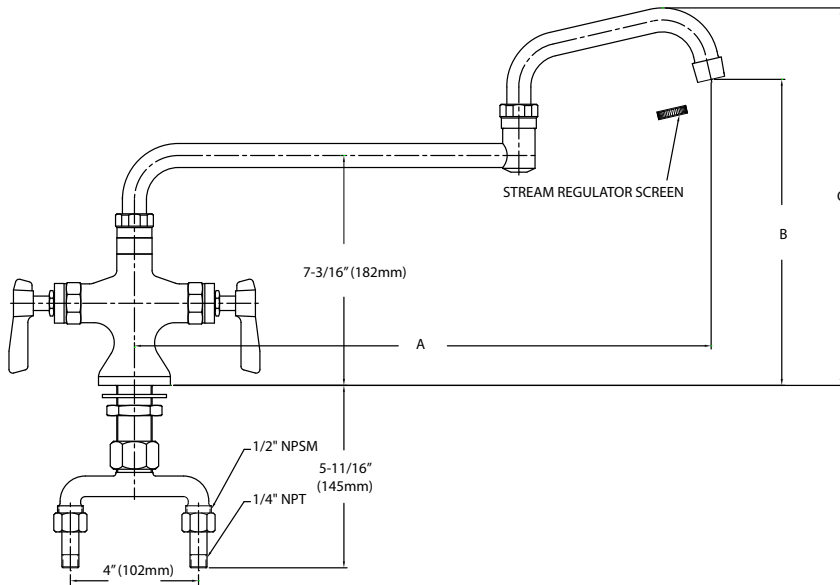
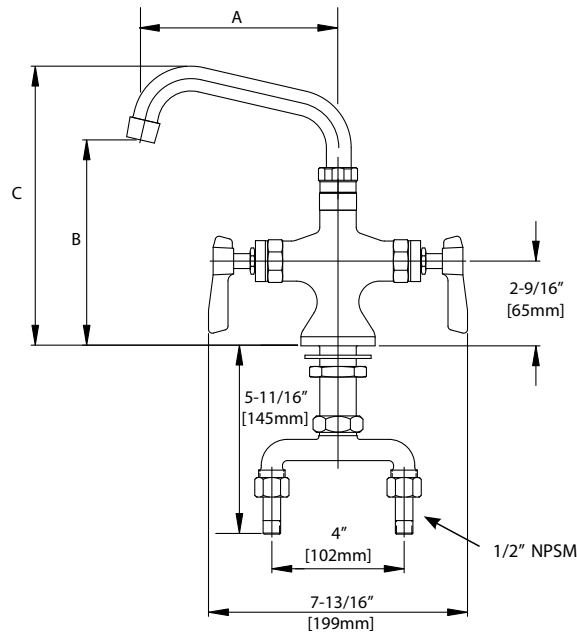
KL51-9xxx-SE1 Series



KL51-9xxx-SE1 Series



KL51-9x0x-TE1 Series



FAUCET, DOUBLE PANTRY DECK MOUNT KL51-9000 SERIES

Model No.	Spout	Flow Rate	Handles	Valves	A	B	C
KL51-9106-SE1	Stainless Steel Tubular Swing	2.2GPM	Standard Lever	Ceramic	6" (152mm)	6-1/16" (154mm)	8-5/16" (211mm)
KL51-9006-SE1				Compression			
KL51-9108-SE1				Ceramic	8" (203mm)	6-9/16" (167mm)	8-13/16" (224mm)
KL51-9008-SE1				Compression			
KL51-9110-SE1				Ceramic	10" (254mm)	7" (178mm)	9-1/4" (235mm)
KL51-9010-SE1				Compression			
KL51-9112-SE1				Ceramic	12" (305mm)	7-7/16" (189mm)	9-11/16" (246mm)
KL51-9012-SE1				Compression			
KL51-9114-SE1				Ceramic	14" (356mm)	7-7/8" (200mm)	10-1/8" (257mm)
KL51-9014-SE1				Compression			
KL51-9116-SE1				Ceramic	16" (406mm)	8-5/16" (211mm)	10-9/16" (268mm)
KL51-9016-SE1				Compression			
KL51-9118ASE1				Ceramic	18" (457mm)	9" (229mm)	11-1/4" (286mm)
KL51-9018ASE1				Compression			
KL51-9118-SE1	Double Jointed Stainless Steel Tubular Swing	2.2GPM	Standard Lever	Ceramic	18" (457mm)	9-9/16" (243mm)	11-13/16" (299mm)
KL51-9018-SE1				Compression			
KL51-9124-SE1				Ceramic	24" (609mm)	11-1/16" (281mm)	13-1/4" (337mm)
KL51-9024-SE1				Compression			
KL51-9106-TE1	Cast Tubular Swing	2.2GPM	Standard Lever	Ceramic	6" (152mm)	—	—
KL51-9006-TE1				Compression			
KL51-9108-TE1				Ceramic	8" (203mm)	—	—
KL51-9008-TE1				Compression			

For additional technical information visit our website for specification sheets.

For service parts breakdown, refer to page 302.

COMPLIES WITH:
THE FEDERAL "REDUCTION OF LEAD
IN DRINKING WATER ACT" –
2011 – US SENATE BILL NO. S.3874
NSF/ANSI 61/9, ANNEX G



FAUCET, ELEVATED SWING SPOUT, DOUBLE PANTRY DECK MOUNT KL52-9000 SERIES MODEL CONFIGURATOR

K x x x - x x x x - x x x

BODY

KL52

INLET

9 = SINGLE 1/2" NPSM INTEGRAL CAST INLETS

VALVE

0 = 1/4 TURN STANDARD ENCORE® COMPRESSION VALVE W/BUILT IN CHECK

1 = 1/4 TURN CERAMIC VALVE W/ INLINE CHECK VALVE

SPOUT

00 = 3-1/2" (89mm) GOOSENECK

01 = 8-1/2" (216mm) GOOSENECK

02 = 6" (152mm) GOOSENECK

06 = 6" (152mm) TUBULAR OR CAST SWING SPOUT

08 = 8" (203mm) TUBULAR SWING SPOUT

10 = 10" (254mm) TUBULAR SWING SPOUT

12 = 12" (305mm) TUBULAR SWING SPOUT

14 = 14" (356mm) TUBULAR SWING SPOUT

16 = 16" (406mm) TUBULAR SWING SPOUT

18A = 18" (457mm) TUBULAR SWING SPOUT

SPOUT STYLE

S = ADJUSTABLE SPOUT

AERATOR

A = 0.5 GPM PCA SPRAY VANDAL RESISTANT

B = 1.5 GPM MAX LAMINAR VANDAL RESISTANT

C = 0.5 GPM PCA SPRAY

D = 1.5 GPM MAX LAMINAR

E = 2.2 GPM MAX AERATED STREAM

F = 2.2 GPM MAX AERATED STREAM VANDAL RESISTANT

H = 2.2 GPM MAX AERATED STREAM VANDAL & HOSE RESISTANT

J = .35 GPM PCA SPRAY

L = .35 GPM PCA SPRAY VANDAL RESISTANT

M = 1.0 GPM PCA LAMINAR FLOW

S = 6.0 GPM MAX WIDE ROSE SPRAY

HANDLE

1 = STANDARD ENCORE® LEVER

4 = 4" (102mm) WRIST BLADE

6 = 6" (152mm) WRIST BLADE

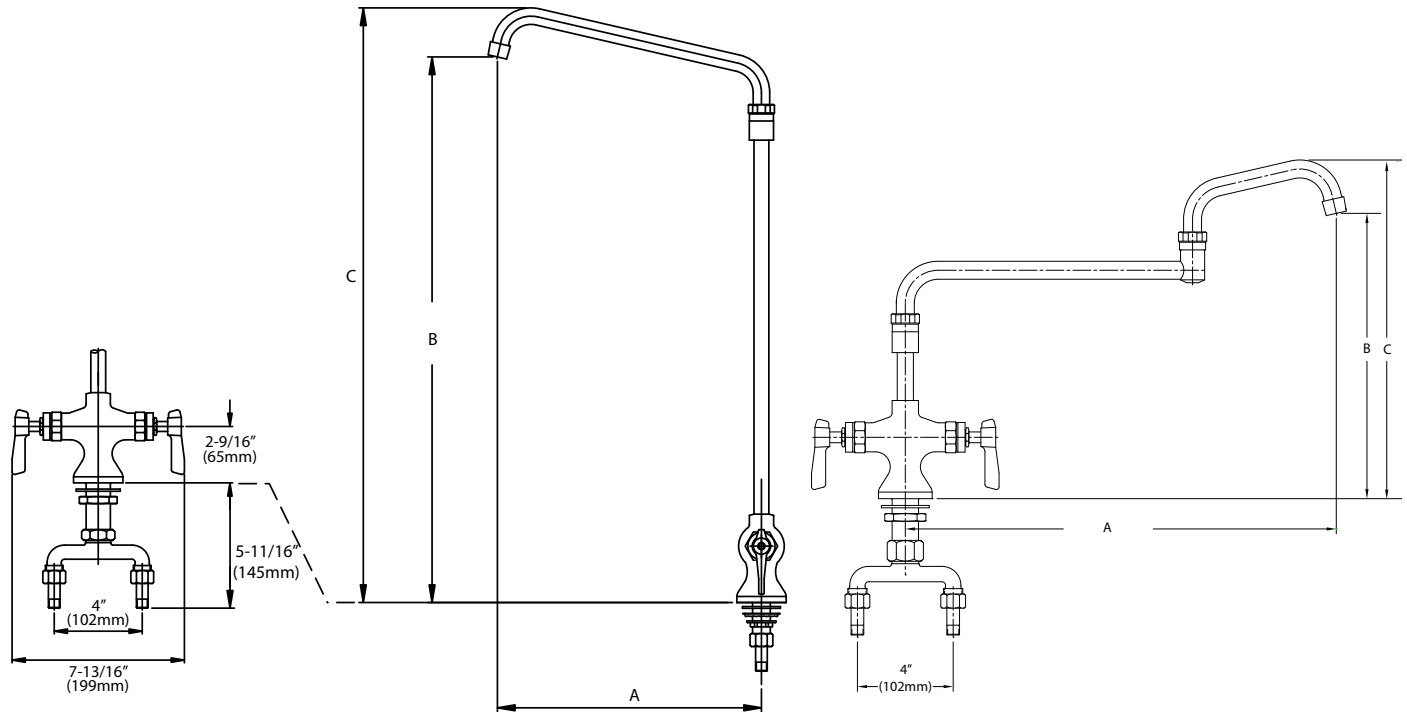
FAUCET, ELEVATED SWING SPOUT, DOUBLE PANTRY DECK MOUNT KL52-9000 SERIES



KL52-9012 SE1 Series



KL52-9018-SP1 Series



Model No.	Spout	Flow Rate	Handles	Valves	A	B	C
KL52-9012-SE1	Stainless Steel Tubular Swing	2.2GPM	Standard Lever	Compression	12" (305mm)	24-7/8" (632mm)	27-7/8" (689mm)
KL52-9018-SP1					18" (457mm)	11-15/16" (303mm)	14-1/8" (359mm)

For additional technical information visit our website for specification sheets.

For service parts breakdown, refer to page 303.

COMPLIES WITH:
THE FEDERAL "REDUCTION OF LEAD
IN DRINKING WATER ACT" -
2011 - US SENATE BILL NO. S.3874
NSF/ANSI 61/9, ANNEX G



FAUCET, DECK MOUNT WORKBOARD, 4" O.C. KL41-4000 SERIES MODEL CONFIGURATOR

K x x x - x x x x - x x x

BODY

KL41 = CP POLISHED BRASS CENTERSET FAUCET DECK MOUNT BODY WITH ADJUSTABLE SPOUT OUTLET

INLET

4 = 4" (102mm) CTR- 1/2" NPSM INTEGRAL CAST INLETS

VALVE

0 = 1/4 TURN STANDARD ENCORE® COMPRESSION VALVE W/BUILT IN CHECK
1 = 1/4 TURN CERAMIC VALVE W/ INLINE CHECK VALVE

SPOUT

00 = 3-1/2" (89mm) GOOSENECK	53 = 6" (152mm) SPOUT 3/8" NPT X 9" (229mm) RISER
01 = 8-1/2" (216mm) GOOSENECK	54 = 8" (203mm) SPOUT 3/8" NPT X 9" (229mm) RISER
02 = 6" (152mm) GOOSENECK	55 = 12" (305mm) SPOUT 3/8" NPT X 9" (229mm) RISER
06 = 6" (152mm) TUBULAR OR CAST SWING SPOUT	
08 = 8" (203mm) TUBULAR SWING SPOUT	
10 = 10" (254mm) TUBULAR SWING SPOUT	
12 = 12" (305mm) TUBULAR SWING SPOUT	
14 = 14" (356mm) TUBULAR SWING SPOUT	
16 = 16" (406mm) TUBULAR SWING SPOUT	
18A = 18" (457mm) TUBULAR SWING SPOUT	
18 = 18" (457mm) DOUBLE JOINTED SWING SPOUT	

SPOUT STYLE

G = VACUUM BREAKER W/ ADJUSTABLE RISER & TUBULAR SPOUT 3/8" NPT OUTLET
K = VACUUM BREAKER W/ RIGID RISER & TUBULAR SPOUT 3/8" NPT OUTLET
S = ADJUSTABLE SPOUT
R = RIGID TUBULAR SPOUT
T = CAST TUBULAR SPOUT (6" ONLY)

AERATOR

A = 0.5 GPM PCA SPRAY VANDAL RESISTANT
B = 1.5 GPM MAX LAMINAR VANDAL RESISTANT
C = 0.5 GPM PCA SPRAY
D = 1.5 GPM MAX LAMINAR
E = 2.2 GPM MAX AERATED STREAM
F = 2.2 GPM MAX AERATED STREAM VANDAL RESISTANT
G = .35 GPM PCA SPRAY (MALE)
H = 2.2 GPM MAX AERATED STREAM VANDAL & HOSE RESISTANT
J = .35 GPM PCA SPRAY
K = .35 GPM PCA SPRAY (MALE) VANDAL RESISTANT
L = .35 GPM PCA SPRAY VANDAL RESISTANT
M = 1.0 GPM PCA LAMINAR FLOW
S = 6.0 GPM MAX WIDE ROSE SPRAY

HANDLE

1 = STANDARD ENCORE® LEVER
2 = CROSS
4 = 4" (102mm) WRIST BLADE
5 = STANDARD LEVER W/TAMPER PROOF SCREW
6 = 6" (152mm) WRIST BLADE
7 = 4" (102mm) WRIST BLADE W/ TAMPER PROOF SCREW
8 = 6" (152mm) WRIST BLADE W/TAMPER PROOF SCREW

FAUCET, DECK MOUNT WORKBOARD, 4" O.C. KL41-4000 SERIES



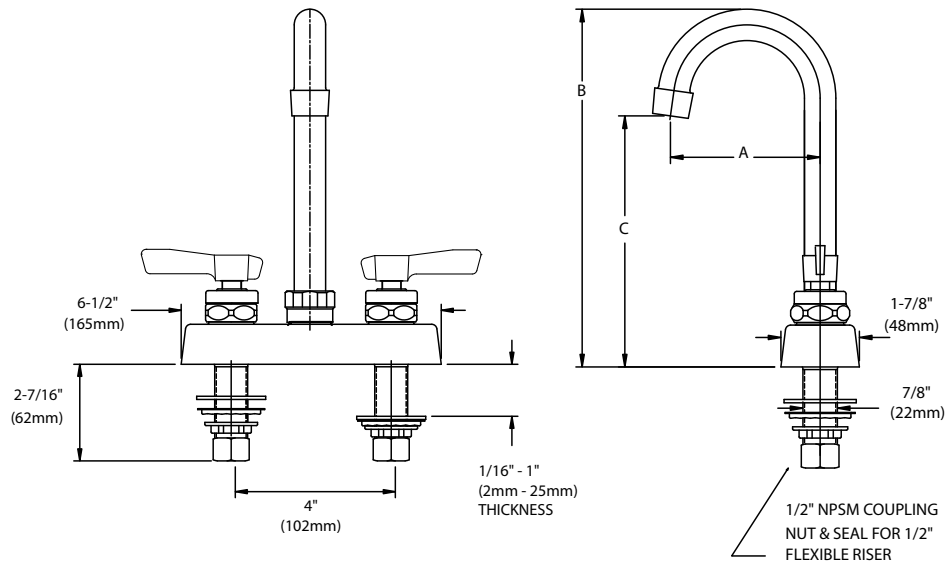
KL41-4x0x-xE4 Series



KL41-4x0x-xE2 Series



KL41-4x0x-xE1 Series



Model No.	Spout	Flow Rate	Handles	Valves	A	B	C
KL41-4100-RE1	Rigid Gooseneck	2.2GPM	Standard Lever	Ceramic	3-1/2" (89mm)	8-5/16" (211mm)	6-1/16" (154mm)
KL41-4000-RE1				Compression			
KL41-4102-RE1				Ceramic	6" (152mm)	9-3/16" (233mm)	5-1/2" (140mm)
KL41-4002-RE1				Compression			
KL41-4101-RE1				Ceramic	8-1/2" (216mm)	12-1/16" (306mm)	6-5/16" (160mm)
KL41-4001-RE1				Compression			
KL41-4100-SE1	Adjustable Gooseneck	2.2GPM	Standard Lever	Ceramic	3-1/2" (89mm)	8-5/16" (211mm)	6-1/16" (154mm)
KL41-4000-SE1				Compression			
KL41-4102-SE1				Ceramic	6" (152mm)	9-3/16" (233mm)	5-1/2" (140mm)
KL41-4002-SE1				Compression			
KL41-4101-SE1				Ceramic	8" (203mm)	14-9/16" (370mm)	8-13/16" (224mm)
KL41-4001-SE1				Compression			

For additional technical information visit our website for specification sheets.

COMPLIES WITH:
THE FEDERAL "REDUCTION OF LEAD
IN DRINKING WATER ACT" -
2011 - US SENATE BILL NO. S.3874
NSF/ANSI 61/9, ANNEX G



For service parts breakdown, refer to page 288.

FAUCET, DECK MOUNT WORKBOARD, 4" O.C. KL41-4000 SERIES



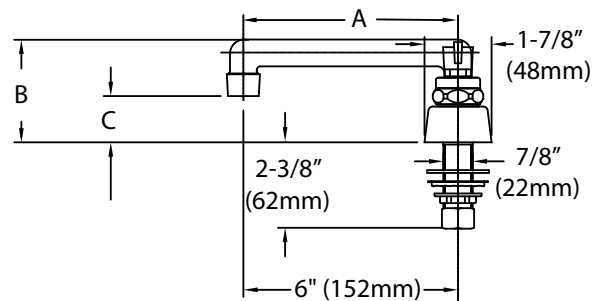
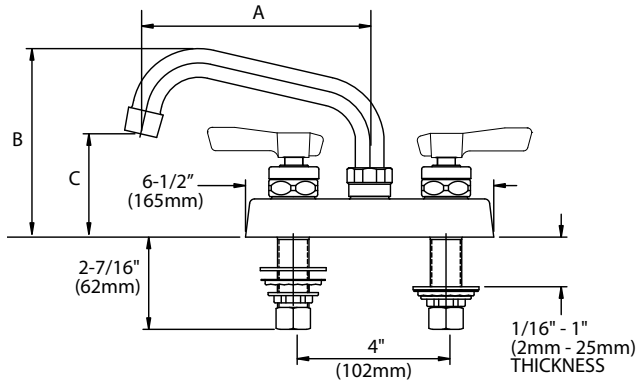
KL41-4xxx-SE1 Series



KL41-4x0x-TE2 Series



KL41-4x0x-TE4 Series



Model No.	Spout	Flow Rate	Handles	Valves	A	B	C			
KL41-4106-SE1	Stainless Steel Tubular Swing	2.2GPM	Standard Lever	Ceramic	6" (152mm)	4-3/8" (111mm)	2-5/8" (66mm)			
KL41-4006-SE1				Compression						
KL41-4108-SE1				Ceramic	8" (203mm)	5-5/16" (135mm)	3-1/16" (78mm)			
KL41-4008-SE1				Compression						
KL41-4110-SE1				Ceramic	10" (254mm)	5-13/16" (148mm)	3-9/16" (90mm)			
KL41-4010-SE1				Compression						
KL41-4112-SE1				Ceramic	12" (305mm)	6-1/4" (159mm)	4" (102mm)			
KL41-4012-SE1				Compression						
KL41-4114-SE1				Ceramic	14" (356mm)	6-11/16" (170mm)	4-7/16" (113mm)			
KL41-4014-SE1				Compression						
KL41-4116-SE1				Ceramic	16" (406mm)	7-1/8" (181mm)	4-7/8" (124mm)			
KL41-4016-SE1				Compression						
KL41-4118ASE1				Ceramic	18" (457mm)	7-9/16" (192mm)	5-3/8" (33mm)			
KL41-4018ASE1				Compression						
KL41-4106-TE1				Cast Tubular Swing	2.2GPM	Standard Lever	Ceramic	6" (152mm)	2-7/8" (73mm)	1-5/16" (33mm)
KL41-4006-TE1							Compression			
KL41-4108-TE1	Ceramic	8" (203mm)	4-1/8" (108mm)				2-1/2" (64mm)			
KL41-4008-TE1	Compression									

For additional technical information visit our website for specification sheets.

COMPLIES WITH:
THE FEDERAL "REDUCTION OF LEAD
IN DRINKING WATER ACT" -
2011 - US SENATE BILL NO. S.3874
NSF/ANSI 61/9, ANNEX G

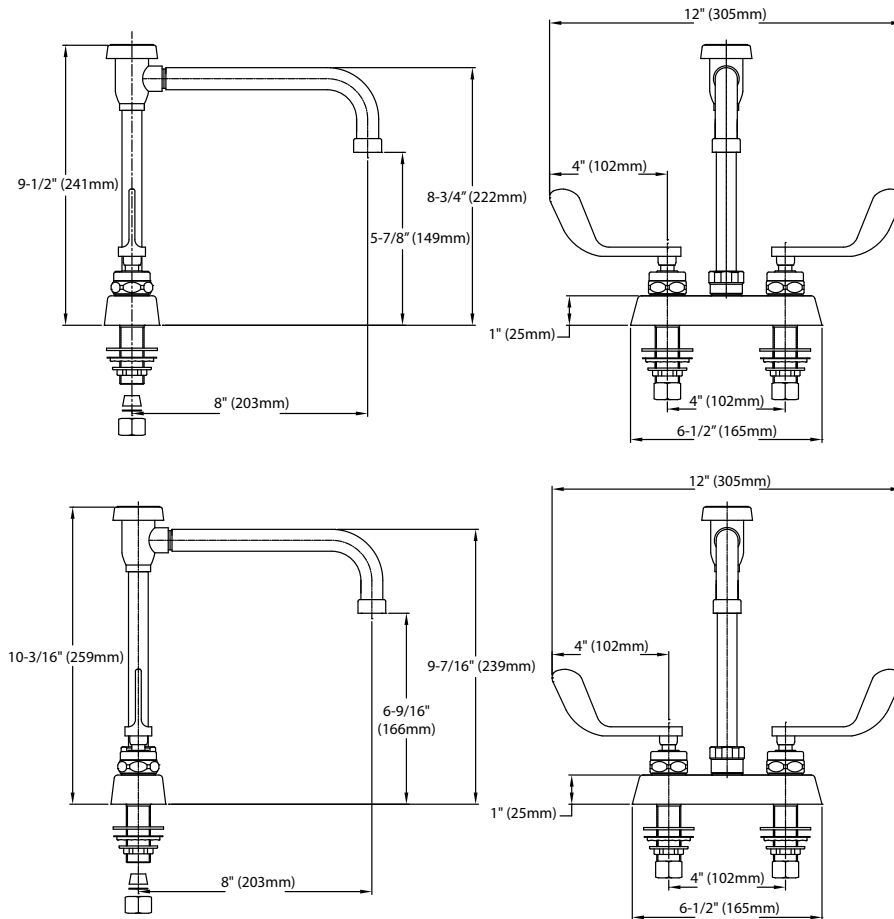


For service parts breakdown, refer to page 289.

FAUCET, DECK MOUNT WORKBOARD, 4" O.C., VACUUM BREAKER KL41-4000 SERIES



KL41-4054-xR4 Series



Model No.	Spout	Flow Rate	Handles	Valves
KL41-4054-KR4	Rigid Riser Tubular with Vacuum Breaker	2.2GPM	4" Wrist Blade	Compression
KL41-4054-GR4	Swivel Riser Tubular with Vacuum Breaker			

For additional technical information visit our website for specification sheets.

COMPLIES WITH:
THE FEDERAL "REDUCTION OF LEAD
IN DRINKING WATER ACT" –
2011 – US SENATE BILL NO. S.3874
NSF/ANSI 61/9, ANNEX G



FAUCET, DECK MOUNT WORKBOARD, 8" O.C. KL41-8000 SERIES MODEL CONFIGURATOR

K X X X - X X X X - X X X

BODY

KL41 = CP POLISHED BRASS CENTERSET FAUCET DECK MOUNT BODY WITH ADJUSTABLE SPOUT OUTLET

INLET

8 = 8" (203mm) CTR- 1/2" NPSM INTEGRAL CAST INLETS

VALVE

0 = 1/4 TURN STANDARD ENCORE® COMPRESSION VALVE W/BUILT IN CHECK
1 = 1/4 TURN CERAMIC VALVE W/ INLINE CHECK VALVE

SPOUT

00 = 3-1/2" (89mm) GOOSENECK
01 = 8-1/2" (216mm) GOOSENECK
02 = 6" (152mm) GOOSENECK
06 = 6" (152mm) TUBULAR OR CAST SWING SPOUT
08 = 8" (203mm) TUBULAR SWING SPOUT
10 = 10" (254mm) TUBULAR SWING SPOUT
12 = 12" (305mm) TUBULAR SWING SPOUT
14 = 14" (356mm) TUBULAR SWING SPOUT
16 = 16" (406mm) TUBULAR SWING SPOUT
18A = 18" (457mm) TUBULAR SWING SPOUT
18 = 18" (457mm) DOUBLE JOINTED SWING SPOUT

SPOUT STYLE

S = ADJUSTABLE SPOUT
R = RIGID TUBULAR SPOUT
T = CAST TUBULAR SPOUT (6" ONLY)

AERATOR

A = 0.5 GPM PCA SPRAY VANDAL RESISTANT
B = 1.5 GPM MAX LAMINAR VANDAL RESISTANT
C = 0.5 GPM PCA SPRAY
D = 1.5 GPM MAX LAMINAR
E = 2.2 GPM MAX AERATED STREAM
F = 2.2 GPM MAX AERATED STREAM VANDAL RESISTANT
G = .35 GPM PCA SPRAY (MALE)
H = 2.2 GPM MAX AERATED STREAM VANDAL & HOSE RESISTANT
J = .35 GPM PCA SPRAY
K = .35 GPM PCA SPRAY (MALE) VANDAL RESISTANT
L = .35 GPM PCA SPRAY VANDAL RESISTANT
M = 1.0 GPM PCA LAMINAR FLOW
S = 6.0 GPM MAX WIDE ROSE SPRAY

HANDLE

1 = STANDARD ENCORE® LEVER
2 = CROSS
4 = 4" (102mm) WRIST BLADE
5 = STANDARD LEVER W/TAMPER PROOF SCREW
6 = 6" (152mm) WRIST BLADE
7 = 4" (102mm) WRIST BLADE W/ TAMPER PROOF SCREW
8 = 6" (152mm) WRIST BLADE W/TAMPER PROOF SCREW

FAUCET, DECK MOUNT WORKBOARD, 8" O.C. KL41-8000 SERIES



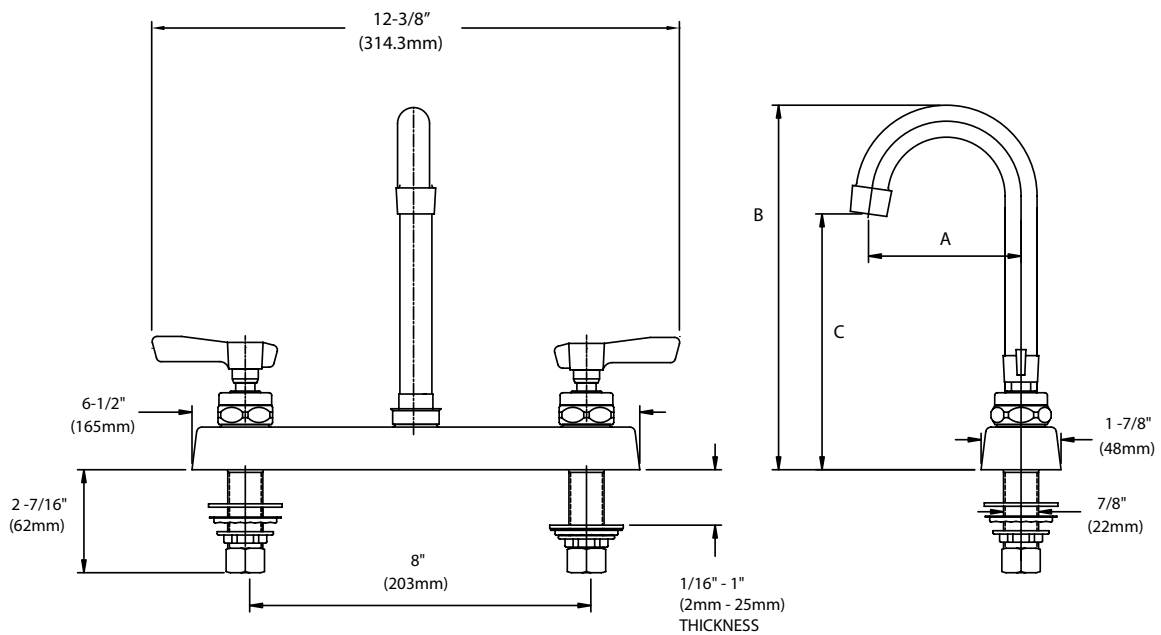
KL41-8x0x-xE1 Series



KL41-8x0x-xE2 Series



KL41-8x0x-xE4 Series



Model No.	Spout	Flow Rate	Handles	Valves	A	B	C
KL41-8100-RE1	Rigid Gooseneck	2.2GPM	Standard Lever	Ceramic	3-1/2" (89mm)	8-5/16" (211mm)	6-1/16" (154mm)
KL41-8000-RE1				Compression			
KL41-8102-RE1				Ceramic	6" (152mm)	9-3/16" (233mm)	5-1/2" (140mm)
KL41-8002-RE1				Compression			
KL41-8101-RE1				Ceramic	8-1/2" (216mm)	12-1/16" (306mm)	6-5/16" (160mm)
KL41-8001-RE1				Compression			
KL41-8100-SE1	Adjustable Gooseneck	2.2GPM	Standard Lever	Ceramic	3-1/2" (89mm)	8-5/16" (211mm)	6-1/16" (154mm)
KL41-8000-SE1				Compression			
KL41-8102-SE1				Ceramic	6" (152mm)	9-3/16" (233mm)	5-1/2" (140mm)
KL41-8002-SE1				Compression			
KL41-8101-SE1				Ceramic	8" (203mm)	14-9/16" (370mm)	8-13/16" (224mm)
KL41-8001-SE1				Compression			

For additional technical information visit our website for specification sheets.

COMPLIES WITH:
THE FEDERAL "REDUCTION OF LEAD
IN DRINKING WATER ACT" -
2011 - US SENATE BILL NO. S.3874
NSF/ANSI 61/9, ANNEX G



For service parts breakdown, refer to page 290.

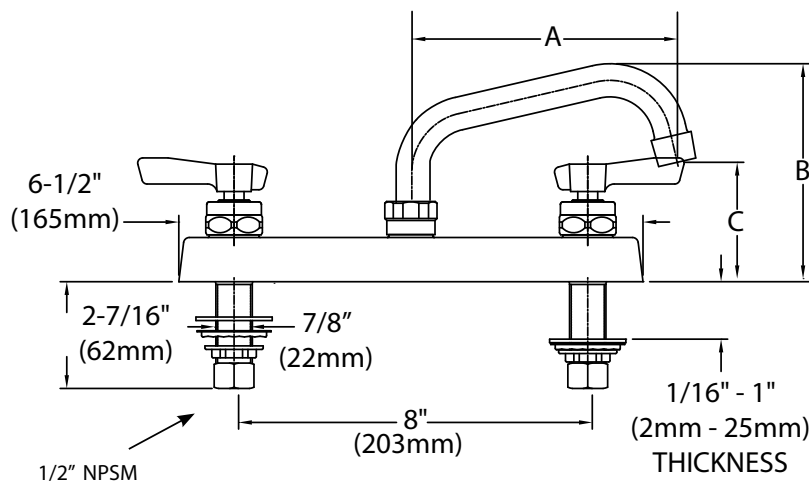
FAUCET, DECK MOUNT WORKBOARD, 8" O.C. KL41-8000 SERIES



KL41-8xxx-SE1 Series

KL41-8xxx-SE2 Series

KL41-8xxx-SE1 Series



Model No.	Spout	Flow Rate	Handles	Valves	A	B	C
KL41-8106-SE1	Stainless Steel Tubular Swing	2.2GPM	Standard Lever	Ceramic	6" (152mm)	4-3/8" (111mm)	2-5/8" (66mm)
KL41-8006-SE1				Compression			
KL41-8108-SE1				Ceramic	8" (203mm)	5-5/16" (135mm)	3-1/16" (78mm)
KL41-8008-SE1				Compression			
KL41-8110-SE1				Ceramic	10" (254mm)	5-13/16" (148mm)	3-9/16" (90mm)
KL41-8010-SE1				Compression			
KL41-8112-SE1				Ceramic	12" (305mm)	6-1/4" (159mm)	4" (102mm)
KL41-8012-SE1				Compression			
KL41-8114-SE1				Ceramic	14" (356mm)	6-11/16" (170mm)	4-7/16" (113mm)
KL41-8014-SE1				Compression			
KL41-8116-SE1				Ceramic	16" (406mm)	7-1/8" (181mm)	4-7/8" (124mm)
KL41-8016-SE1				Compression			
KL41-8118ASE1				Ceramic	18" (457mm)	7-9/16" (192mm)	5-3/8" (136mm)
KL41-8018ASE1				Compression			

For additional technical information visit our website for specification sheets.

COMPLIES WITH:
THE FEDERAL "REDUCTION OF LEAD
IN DRINKING WATER ACT" -
2011 - US SENATE BILL NO. S.3874
NSF/ANSI 61/9, ANNEX G



For service parts breakdown, refer to page 291.

FAUCET, ELEVATED BRIDGE DECK MOUNT, 4" O.C. KL57-4000 SERIES MODEL CONFIGURATOR

K x x x - x x x x - x x x

BODY

KL57 = CP POLISHED BRASS ELEVATED BRIDGE FAUCET DECK MOUNT BODY WITH ADJUSTABLE SPOUT OUTLET

INLET

4 = 4" (102mm) CTR- 1/2" NPSM INTEGRAL CAST INLETS

VALVE

0 = 1/4 TURN STANDARD ENCORE® COMPRESSION VALVE W/BUILT IN CHECK
1 = 1/4 TURN CERAMIC VALVE W/ INLINE CHECK VALVE

SPOUT

00 = 3-1/2" (89mm) GOOSENECK
01 = 8-1/2" (216mm) GOOSENECK
02 = 6" (152mm) GOOSENECK
06 = 6" (152mm) TUBULAR OR CAST SWING SPOUT
08 = 8" (203mm) TUBULAR SWING SPOUT
10 = 10" (254mm) TUBULAR SWING SPOUT
12 = 12" (305mm) TUBULAR SWING SPOUT
14 = 14" (356mm) TUBULAR SWING SPOUT
16 = 16" (406mm) TUBULAR SWING SPOUT
18A = 18" (457mm) TUBULAR SWING SPOUT
18 = 18" (457mm) DOUBLE JOINTED SWING SPOUT

SPOUT STYLE

S = ADJUSTABLE SPOUT
R = RIGID TUBULAR SPOUT
T = CAST TUBULAR SPOUT (6" ONLY)

AERATOR

A = 0.5 GPM PCA SPRAY VANDAL RESISTANT
B = 1.5 GPM MAX LAMINAR VANDAL RESISTANT
C = 0.5 GPM PCA SPRAY
D = 1.5 GPM MAX LAMINAR
E = 2.2 GPM MAX AERATED STREAM
F = 2.2 GPM MAX AERATED STREAM VANDAL RESISTANT
H = 2.2 GPM MAX AERATED STREAM VANDAL & HOSE RESISTANT
J = .35 GPM PCA SPRAY
L = .35 GPM PCA SPRAY VANDAL RESISTANT
M = 1.0 GPM PCA LAMINAR FLOW
S = 6.0 GPM MAX WIDE ROSE SPRAY

HANDLE

1 = STANDARD ENCORE® LEVER
2 = CROSS
4 = 4" (102mm) WRIST BLADE
5 = STANDARD LEVER W/TAMPER PROOF SCREW
6 = 6" (152mm) WRIST BLADE
7 = 4" (102mm) WRIST BLADE W/ TAMPER PROOF SCREW
8 = 6" (152mm) WRIST BLADE W/TAMPER PROOF SCREW

FAUCET, ELEVATED BRIDGE DECK MOUNT, 4" O.C. KL57-4000 SERIES



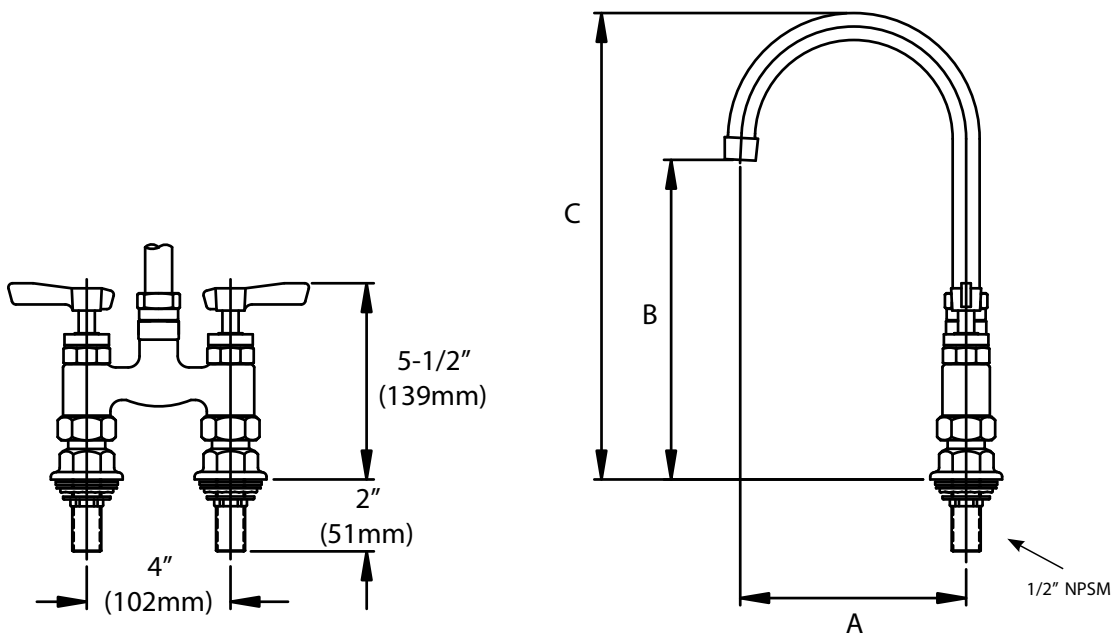
KL57-4x0x-xE1 Series



KL57-4x0x-xE2 Series



KL57-4x0x-xE4 Series



Model No.	Spout	Flow Rate	Handles	Valves	A	B	C
KL57-4100-RE1	Rigid Gooseneck	2.2GPM	Standard Lever	Ceramic	3-1/2" (89mm)	8-5/16" (211mm)	6-1/16" (154mm)
KL57-4000-RE1				Compression			
KL57-4102-RE1				Ceramic	6" (152mm)	9-3/16" (233mm)	5-1/2" (140mm)
KL57-4002-RE1				Compression			
KL57-4101-RE1				Ceramic	8-1/2" (216mm)	12-1/16" (306mm)	6-5/16" (160mm)
KL57-4001-RE1				Compression			
KL57-4100-SE1	Adjustable Gooseneck	2.2GPM	Standard Lever	Ceramic	3-1/2" (89mm)	9-3/8" (238mm)	11-5/8" (295mm)
KL57-4000-SE1				Compression			
KL57-4102-SE1				Ceramic	6" (152mm)	11-3/8" (289mm)	15-1/16" (383mm)
KL57-4002-SE1				Compression			
KL57-4101-SE1				Ceramic	8" (203mm)	12-1/8" (308mm)	17-7/8" (454mm)
KL57-4001-SE1				Compression			

For additional technical information visit our website for specification sheets.

COMPLIES WITH:
THE FEDERAL "REDUCTION OF LEAD
IN DRINKING WATER ACT" -
2011 - US SENATE BILL NO. S.3874
NSF/ANSI 61/9, ANNEX G



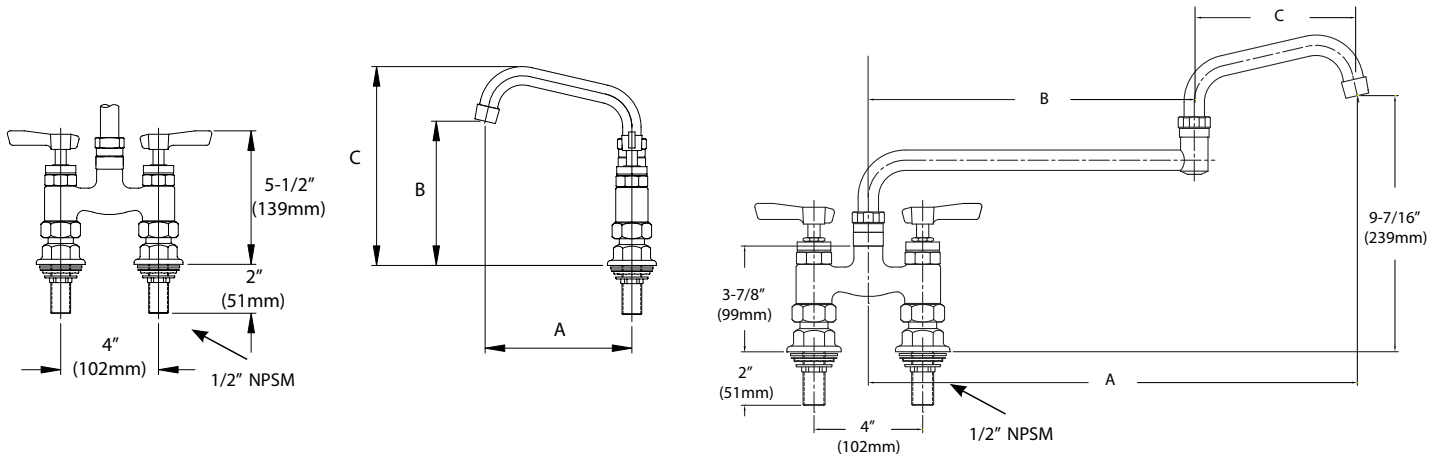
FAUCET, ELEVATED BRIDGE DECK MOUNT, 4" O.C. KL57-4000 SERIES



KL57-4xxx-SE1 Series



KL57-4x18-SE1 Series



Model No.	Spout	Flow Rate	Handles	Valves	A	B	C			
KL57-4106-SE1	Stainless Steel Tubular Swing	2.2GPM	Standard Lever	Ceramic	6" (152mm)	5-7/8" (150mm)	8-1/8" (207mm)			
KL57-4006-SE1				Compression	8" (203mm)	6-3/8" (162mm)	8-5/8" (219mm)			
KL57-4108-SE1				Ceramic						
KL57-4008-SE1				Compression						
KL57-4110-SE1				Ceramic	10" (254mm)	6-13/16" (173mm)	9-1/16" (230mm)			
KL57-4010-SE1				Compression						
KL57-4112-SE1				Ceramic	12" (305mm)	7-5/16" (185mm)	9-9/16" (243mm)			
KL57-4012-SE1				Compression						
KL57-4114-SE1				Ceramic	14" (356mm)	7-3/4" (197mm)	7-3/4" (197mm)			
KL57-4014-SE1				Compression						
KL57-4116-SE1				Ceramic	16" (406mm)	8-3/16" (208mm)	10-7/16" (265mm)			
KL57-4016-SE1				Compression						
KL57-4118ASE1				Ceramic	18" (457mm)	8-11/16" (221mm)	10-15/16" (278mm)			
KL57-4018ASE1				Compression						
KL57-4118-SE1				Double Jointed Stainless Steel Tubular Swing	2.2GPM	Standard Lever	Ceramic	18" (457mm)	9-7/16" (239mm)	11-5/8" (296mm)
KL57-4018-SE1							Compression			

For additional technical information visit our website for specification sheets.

COMPLIES WITH:
THE FEDERAL "REDUCTION OF LEAD
IN DRINKING WATER ACT" -
2011 - US SENATE BILL NO. S.3874
NSF/ANSI 61/9, ANNEX G



For service parts breakdown, refer to page 316.

FAUCET, ELEVATED SWING SPOUT, ELEVATED BRIDGE DECK MOUNT, 4" O.C. KL58-4000 SERIES MODEL CONFIGURATOR

K **x** **x** **x** - **x** **x** **x** **x** - **x** **x** **x**

BODY

KL58

INLET

4 = 4" (102mm) CTR- 1/2" NPSM INTEGRAL CAST INLETS

VALVE

0 = 1/4 TURN STANDARD ENCORE® COMPRESSION VALVE W/BUILT IN CHECK

1 = 1/4 TURN CERAMIC VALVE W/ INLINE CHECK VALVE

SPOUT

00 = 3-1/2" (89mm) GOOSENECK

01 = 8-1/2" (216mm) GOOSENECK

02 = 6" (152mm) GOOSENECK

06 = 6" (152mm) TUBULAR OR CAST SWING SPOUT

08 = 8" (203mm) TUBULAR SWING SPOUT

10 = 10" (254mm) TUBULAR SWING SPOUT

12 = 12" (305mm) TUBULAR SWING SPOUT

14 = 14" (356mm) TUBULAR SWING SPOUT

16 = 16" (406mm) TUBULAR SWING SPOUT

18A = 18" (457mm) TUBULAR SWING SPOUT

SPOUT STYLE

S = ADJUSTABLE SPOUT

AERATOR

A = 0.5 GPM PCA SPRAY VANDAL RESISTANT

B = 1.5 GPM MAX LAMINAR VANDAL RESISTANT

C = 0.5 GPM PCA SPRAY

D = 1.5 GPM MAX LAMINAR

E = 2.2 GPM MAX AERATED STREAM

F = 2.2 GPM MAX AERATED STREAM VANDAL RESISTANT

H = 2.2 GPM MAX AERATED STREAM VANDAL & HOSE RESISTANT

J = .35 GPM PCA SPRAY

L = .35 GPM PCA SPRAY VANDAL RESISTANT

M = 1.0 GPM PCA LAMINAR FLOW

S = 6.0 GPM MAX WIDE ROSE SPRAY

HANDLE

1 = STANDARD ENCORE® LEVER

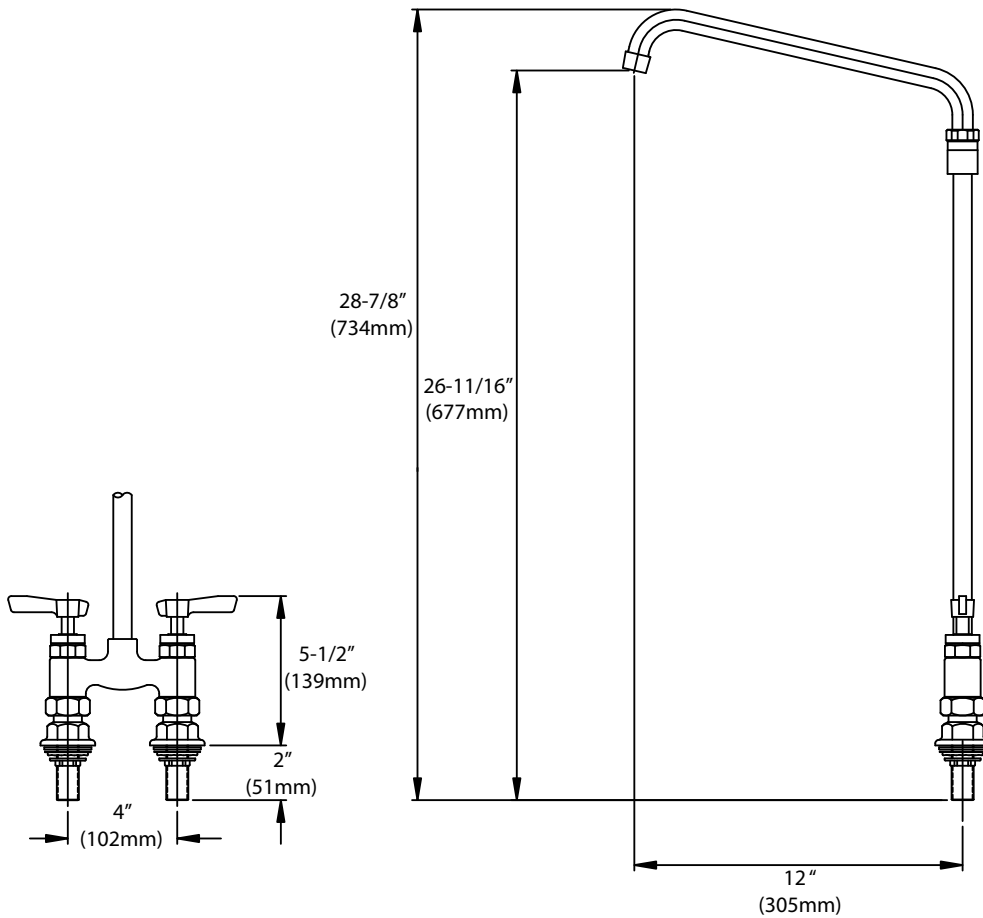
4 = 4" (102mm) WRIST BLADE

6 = 6" (152mm) WRIST BLADE

FAUCET, ELEVATED SWING SPOUT, ELEVATED BRIDGE DECK MOUNT, 4" O.C. KL58-4000 SERIES



KL58-4x12-SE1 Series



Model No.	Spout	Flow Rate	Handles	Valves
KL58-4112-SE1	Stainless Steel Tubular Swing	2.2GPM	Standard Lever	Ceramic
KL58-4012-SE1				Compression

For additional technical information visit our website for specification sheets.

For service parts breakdown, refer to page 317.

COMPLIES WITH:
THE FEDERAL "REDUCTION OF LEAD
IN DRINKING WATER ACT" –
2011 – US SENATE BILL NO. S.3874
NSF/ANSI 61/9, ANNEX G



FAUCET, ELEVATED BRIDGE DECK MOUNT, 6" O.C. KL67-6000 SERIES MODEL CONFIGURATOR

K **x** **x** **x** - **x** **x** **x** **x** - **x** **x** **x**

BODY

KL67 = CP POLISHED BRASS ELEVATED BRIDGE FAUCET DECK MOUNT BODY WITH ADJUSTABLE SPOUT OUTLET

INLET

6 = 6" (152mm) CTR- 1/2" NPSM INTEGRAL CAST INLETS

VALVE

0 = 1/4 TURN STANDARD ENCORE® COMPRESSION VALVE W/BUILT IN CHECK

1 = 1/4 TURN CERAMIC VALVE W/ INLINE CHECK VALVE

SPOUT

00 = 3-1/2" (89mm) GOOSENECK

01 = 8-1/2" (216mm) GOOSENECK

02 = 6" (152mm) GOOSENECK

06 = 6" (152mm) TUBULAR OR CAST SWING SPOUT

08 = 8" (203mm) TUBULAR SWING SPOUT

10 = 10" (254mm) TUBULAR SWING SPOUT

12 = 12" (305mm) TUBULAR SWING SPOUT

14 = 14" (356mm) TUBULAR SWING SPOUT

16 = 16" (406mm) TUBULAR SWING SPOUT

18A = 18" (457mm) TUBULAR SWING SPOUT

18 = 18" (457mm) DOUBLE JOINTED SWING SPOUT

SPOUT STYLE

S = ADJUSTABLE SPOUT

R = RIGID TUBULAR SPOUT

T = CAST TUBULAR SPOUT (6" ONLY)

AERATOR

A = 0.5 GPM PCA SPRAY VANDAL RESISTANT

B = 1.5 GPM MAX LAMINAR VANDAL RESISTANT

C = 0.5 GPM PCA SPRAY

D = 1.5 GPM MAX LAMINAR

E = 2.2 GPM MAX AERATED STREAM

F = 2.2 GPM MAX AERATED STREAM VANDAL RESISTANT

H = 2.2 GPM MAX AERATED STREAM VANDAL & HOSE RESISTANT

M = 1.0 GPM PCA LAMINAR FLOW

J = .35 GPM PCA SPRAY

L = .35 GPM PCA SPRAY VANDAL RESISTANT

S = 6.0 GPM MAX WIDE ROSE SPRAY

HANDLE

1 = STANDARD ENCORE® LEVER

2 = CROSS

4 = 4" (102mm) WRIST BLADE

5 = STANDARD LEVER W/TAMPER PROOF SCREW

6 = 6" (152mm) WRIST BLADE

7 = 4" (102mm) WRIST BLADE W/ TAMPER PROOF SCREW

8 = 6" (152mm) WRIST BLADE W/TAMPER PROOF SCREW

FAUCET, ELEVATED BRIDGE DECK MOUNT, 6" O.C. KL67-6000 SERIES



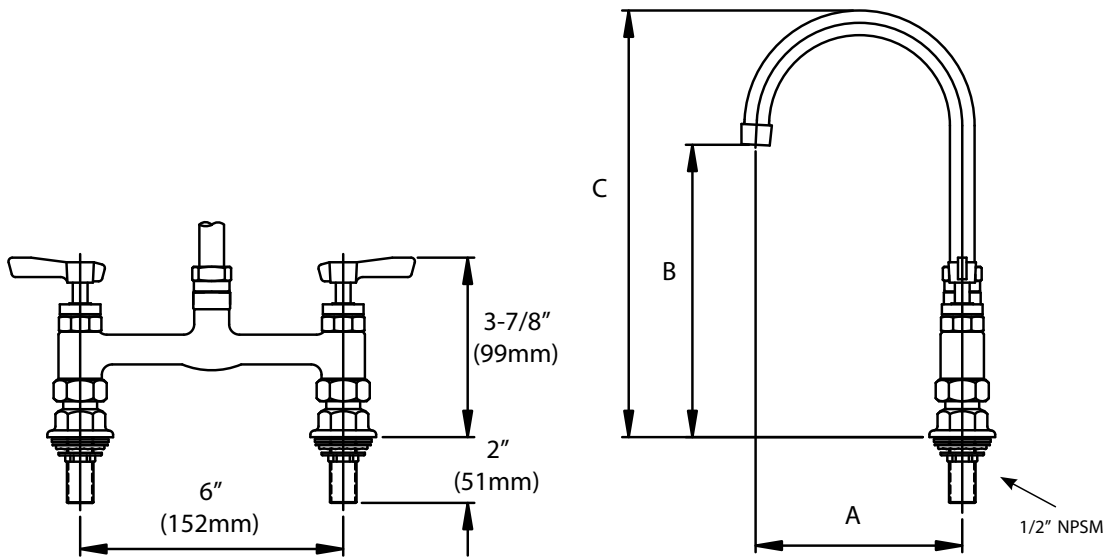
KL67-6x0x-xE1 Series



KL67-6x0x-xE2 Series



KL67-6x0x-xE4 Series



Model No.	Spout	Flow Rate	Handles	Valves	A	B	C
KL67-6100-RE1	Rigid Gooseneck	2.2GPM	Standard Lever	Ceramic	3-1/2" (89mm)	8-9/16" (217mm)	10-13/16" (275mm)
KL67-6000-RE1				Compression			
KL67-6102-RE1				Ceramic	6" (152mm)	8-1/16" (205mm)	11-3/4" (298mm)
KL67-6002-RE1				Compression			
KL67-6101-RE1				Ceramic	8-1/2" (216mm)	8-13/16" (224mm)	14-9/16" (370mm)
KL67-6001-RE1				Compression			
KL67-6100-SE1	Adjustable Gooseneck	2.2GPM	Standard Lever	Ceramic	3-1/2" (89mm)	9-3/8" (238mm)	11-5/8" (295mm)
KL67-6000-SE1				Compression			
KL67-6102-SE1				Ceramic	6" (152mm)	11-3/8" (289mm)	15-1/16" (383mm)
KL67-6002-SE1				Compression			
KL67-6101-SE1				Ceramic	8" (203mm)	12-1/8" (308mm)	17-7/8" (454mm)
KL67-6001-SE1				Compression			

For additional technical information visit our website for specification sheets.

For service parts breakdown, refer to page 335.

COMPLIES WITH:
THE FEDERAL "REDUCTION OF LEAD
IN DRINKING WATER ACT" -
2011 - US SENATE BILL NO. S.3874
NSF/ANSI 61/9, ANNEX G



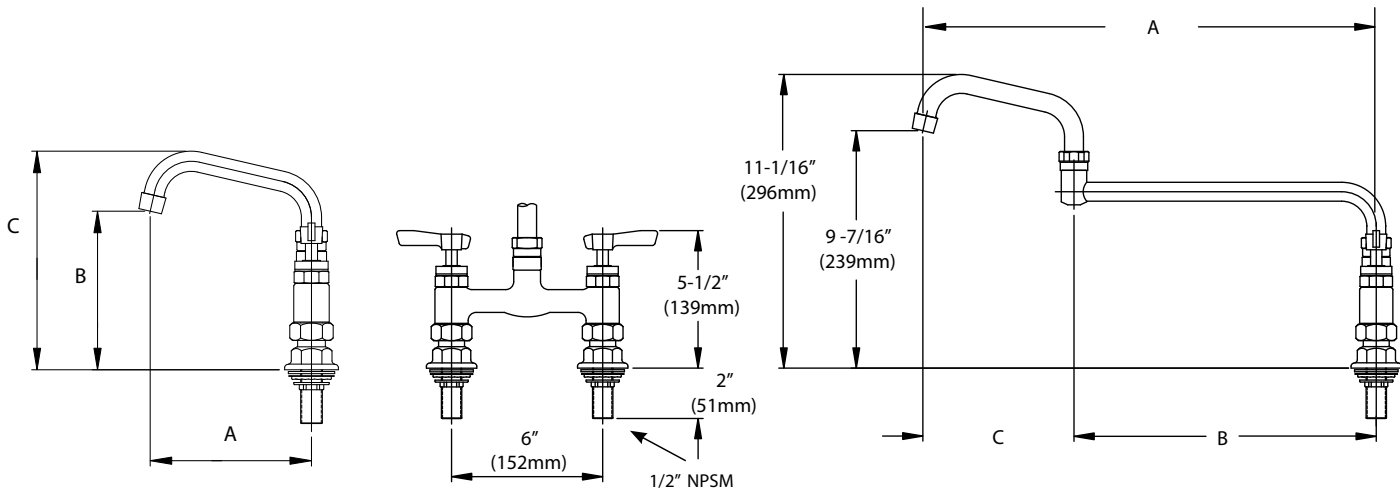
FAUCET, ELEVATED BRIDGE DECK MOUNT, 6" O.C. KL67-6000 SERIES



KL67-6xxx-SE1 Series



KL67-6xxx-SE1 Series



Model No.	Spout	Flow Rate	Handles	Valves	A	B	C			
KL67-6106-SE1	Stainless Steel Tubular Swing	2.2GPM	Standard Lever	Ceramic	6" (152mm)	3-5/16" (84mm)	5-9/16" (141mm)			
KL67-6006-SE1				Compression						
KL67-6108-SE1				Ceramic	8" (203mm)	3-13/16" (96mm)	6-1/16" (154mm)			
KL67-6008-SE1				Compression						
KL67-6110-SE1				Ceramic	10" (254mm)	4-1/4" (108mm)	6-1/2" (165mm)			
KL67-6010-SE1				Compression						
KL67-6112-SE1				Ceramic	12" (305mm)	4-11/16" (120mm)	6-15/16" (176mm)			
KL67-6012-SE1				Compression						
KL67-6114-SE1				Ceramic	14" (356mm)	5-3/16" (131mm)	7-7/16" (187mm)			
KL67-6014-SE1				Compression						
KL67-6116-SE1				Ceramic	16" (406mm)	5-5/8" (143mm)	7-7/8" (200mm)			
KL67-6016-SE1				Compression						
KL67-6118ASE1				Double Jointed Stainless Steel Tubular Swing	2.2GPM	Standard Lever	Ceramic	18" (457mm)	8-11/16" (221mm)	10-15/16" (278mm)
KL67-6018ASE1							Compression			
KL67-6118-SE1				Double Jointed Stainless Steel Tubular Swing	2.2GPM	Standard Lever	Ceramic	18" (457mm)	9-7/16" (239mm)	11-5/8" (296mm)
KL67-6018-SE1							Compression			

For additional technical information visit our website for specification sheets.

COMPLIES WITH:
THE FEDERAL "REDUCTION OF LEAD
IN DRINKING WATER ACT" -
2011 - US SENATE BILL NO. S.3874
NSF/ANSI 61/9, ANNEX G



For service parts breakdown, refer to page 336.

FAUCET, ELEVATED BRIDGE DECK MOUNT, 8" O.C. KL61-8000 SERIES MODEL CONFIGURATOR

K X X X - X X X X - X X X

BODY

KL61 = CP POLISHED BRASS ELEVATED BRIDGE FAUCET DECK MOUNT BODY WITH ADJUSTABLE SPOUT OUTLET

INLET

8 = 8" (203mm) CTR- 1/2" NPSM INTEGRAL CAST INLETS

VALVE

0 = 1/4 TURN STANDARD ENCORE® COMPRESSION VALVE W/BUILT IN CHECK

1 = 1/4 TURN CERAMIC VALVE W/ INLINE CHECK VALVE

SPOUT

00 = 3-1/2" (89mm) GOOSENECK

01 = 8-1/2" (216mm) GOOSENECK

02 = 6" (152mm) GOOSENECK

06 = 6" (152mm) TUBULAR OR CAST SWING SPOUT

08 = 8" (203mm) TUBULAR SWING SPOUT

10 = 10" (254mm) TUBULAR SWING SPOUT

12 = 12" (305mm) TUBULAR SWING SPOUT

14 = 14" (356mm) TUBULAR SWING SPOUT

16 = 16" (406mm) TUBULAR SWING SPOUT

18A = 18" (457mm) TUBULAR SWING SPOUT

18 = 18" (457mm) DOUBLE JOINTED SWING SPOUT

SPOUT STYLE

S = ADJUSTABLE SPOUT

R = RIGID TUBULAR SPOUT

T = CAST TUBULAR SPOUT (6" ONLY)

AERATOR

A = 0.5 GPM PCA SPRAY VANDAL RESISTANT

B = 1.5 GPM MAX LAMINAR VANDAL RESISTANT

C = 0.5 GPM PCA SPRAY

D = 1.5 GPM MAX LAMINAR

E = 2.2 GPM MAX AERATED STREAM

F = 2.2 GPM MAX AERATED STREAM VANDAL RESISTANT

H = 2.2 GPM MAX AERATED STREAM VANDAL & HOSE RESISTANT

M = 1.0 GPM PCA LAMINAR FLOW

J = .35 GPM PCA SPRAY

L = .35 GPM PCA SPRAY VANDAL RESISTANT

S = 6.0 GPM MAX WIDE ROSE SPRAY

HANDLE

1 = STANDARD ENCORE® LEVER

2 = CROSS

4 = 4" (102mm) WRIST BLADE

5 = STANDARD LEVER W/TAMPER PROOF SCREW

6 = 6" (152mm) WRIST BLADE

7 = 4" (102mm) WRIST BLADE W/ TAMPER PROOF SCREW

8 = 6" (152mm) WRIST BLADE W/TAMPER PROOF SCREW

FAUCET, ELEVATED BRIDGE DECK MOUNT, 8" O.C. KL61-8000 SERIES



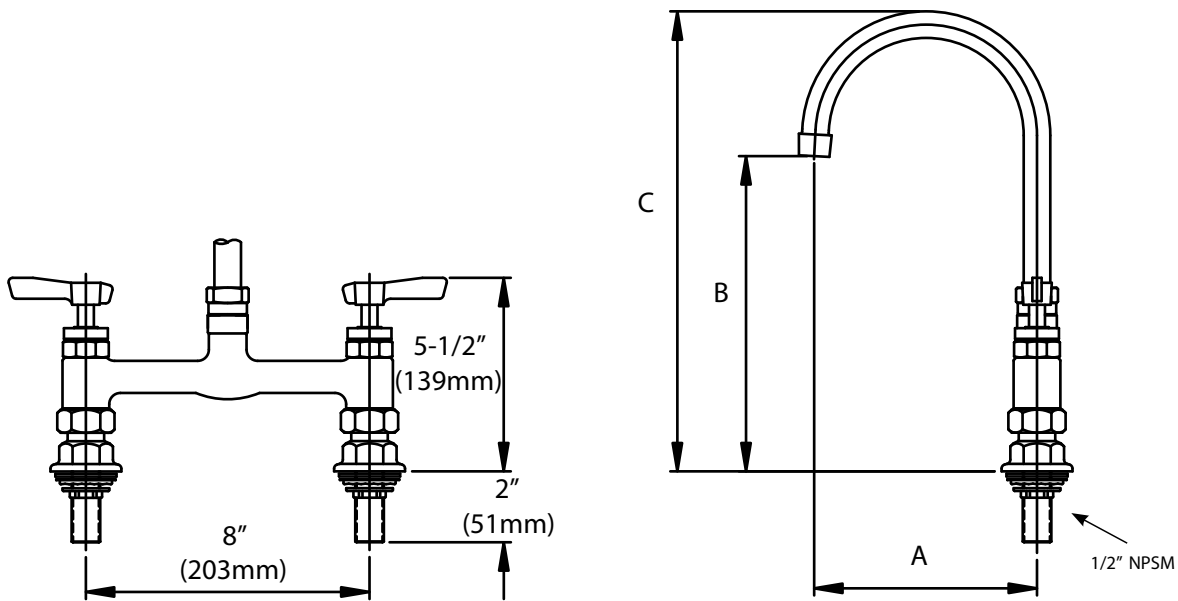
KL61-8x0x-xE1 Series



KL61-8x0x-xE2 Series



KL61-8x0x-xE4 Series



Model No.	Spout	Flow Rate	Handles	Valves	A	B	C
KL61-8100-RE1	Rigid Gooseneck	2.2GPM	Standard Lever	Ceramic	3-1/2" (89mm)	8-9/16" (217mm)	10-13/16" (275mm)
KL61-8000-RE1				Compression			
KL61-8102-RE1				Ceramic	6" (152mm)	8-1/16" (205mm)	11-3/4" (298mm)
KL61-8002-RE1				Compression			
KL61-8101-RE1				Ceramic	8-1/2" (216mm)	8-13/16" (224mm)	14-9/16" (370mm)
KL61-8001-RE1				Compression			
KL61-8100-SE1	Adjustable Gooseneck	2.2GPM	Standard Lever	Ceramic	3-1/2" (89mm)	9-3/8" (238mm)	11-5/8" (295mm)
KL61-8000-SE1				Compression			
KL61-8102-SE1				Ceramic	6" (152mm)	11-3/8" (289mm)	15-1/16" (383mm)
KL61-8002-SE1				Compression			
KL61-8101-SE1				Ceramic	8" (203mm)	12-1/8" (308mm)	17-7/8" (454mm)
KL61-8001-SE1				Compression			

For additional technical information visit our website for specification sheets.

COMPLIES WITH:
THE FEDERAL "REDUCTION OF LEAD
IN DRINKING WATER ACT" -
2011 - US SENATE BILL NO. S.3874
NSF/ANSI 61/9, ANNEX G



For service parts breakdown, refer to page 322.

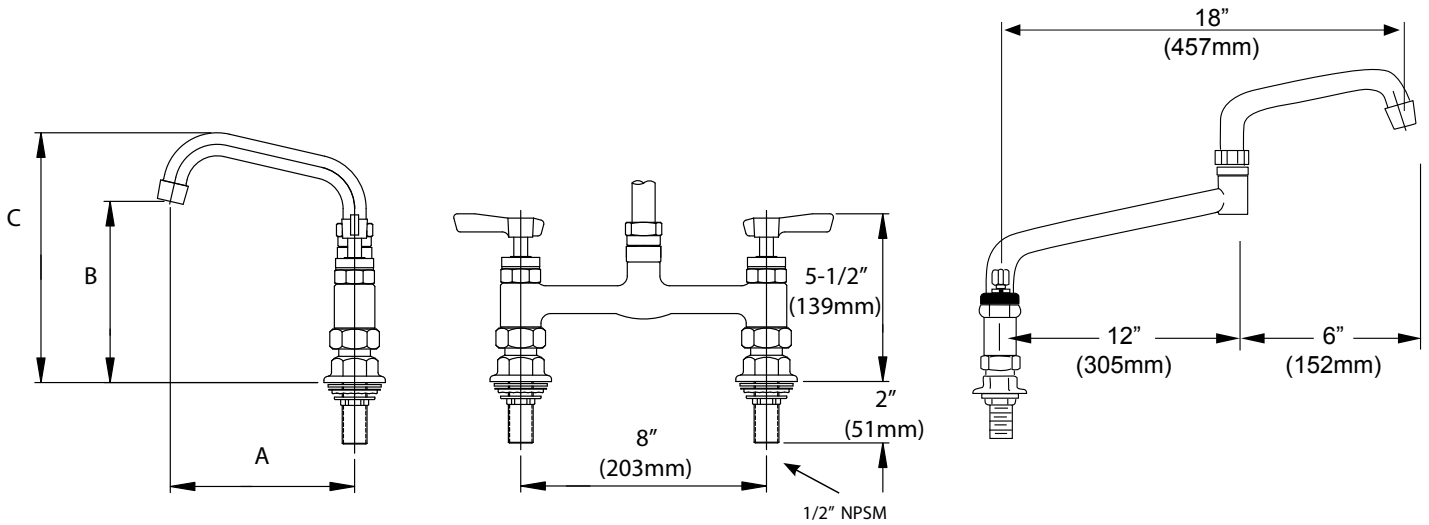
FAUCET, ELEVATED BRIDGE DECK MOUNT, 8" O.C. KL61-8000 SERIES



KL61-8xxx-SE1 Series



KL61-8xxx-SE1 Series



Model No.	Spout	Flow Rate	Handles	Valves	A	B	C
KL61-8106-SE1	Stainless Steel Tubular Swing	2.2GPM	Standard Lever	Ceramic	6" (152mm)	5-7/8" (150mm)	8-1/8" (207mm)
KL61-8006-SE1				Compression			
KL61-8108-SE1				Ceramic	8" (203mm)	6-3/8" (162mm)	8-5/8" (219mm)
KL61-8008-SE1				Compression			
KL61-8110-SE1				Ceramic	10" (254mm)	6-13/16" (173mm)	9-1/16" (230mm)
KL61-8010-SE1				Compression			
KL61-8112-SE1				Ceramic	12" (305mm)	7-5/16" (185mm)	9-9/16" (243mm)
KL61-8012-SE1				Compression			
KL61-8114-SE1				Ceramic	14" (356mm)	7-3/4" (197mm)	7-3/4" (197mm)
KL61-8014-SE1				Compression			
KL61-8116-SE1				Ceramic	16" (406mm)	8-3/16" (208mm)	10-7/16" (265mm)
KL61-8016-SE1				Compression			
KL61-8118ASE1				Ceramic	18" (457mm)	8-11/16" (221mm)	10-15/16" (278mm)
KL61-8018ASE1				Compression			
KL61-8118-SE1	Double Jointed Stainless Steel Tubular Swing	2.2GPM	Standard Lever	Ceramic	—	—	—
KL61-8018-SE1				Compression			

For additional technical information visit our website for specification sheets.

For service parts breakdown, refer to page 323.

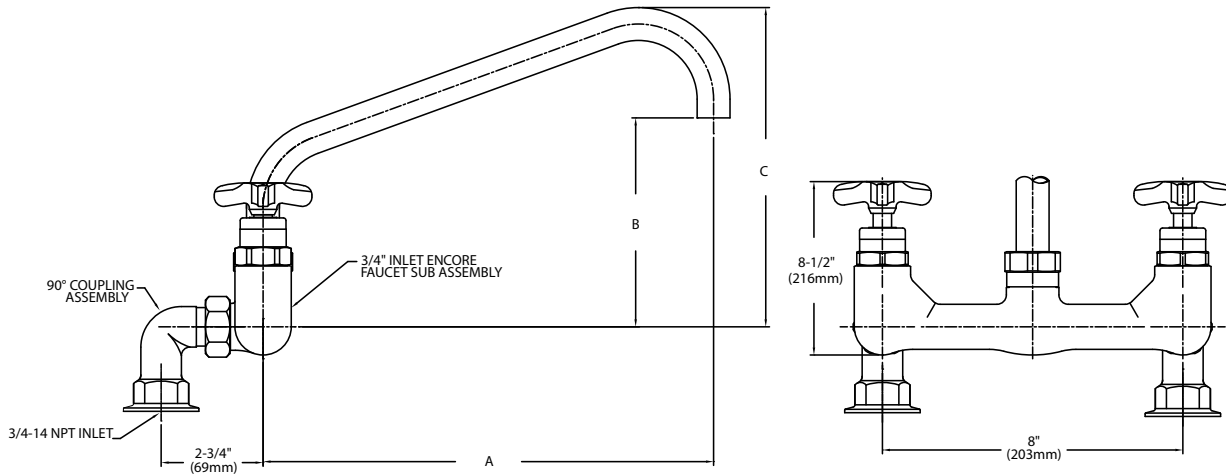
COMPLIES WITH:
THE FEDERAL "REDUCTION OF LEAD
IN DRINKING WATER ACT" -
2011 - US SENATE BILL NO. S.3874
NSF/ANSI 61/9, ANNEX G



FAUCET, 3/4", DECK MOUNT, POT SINK, 8" O.C. KL36-8000 SERIES



KL36-801x Series



Model No.	Spout	Flow Rate	Handles	Valves	A	B	C
KL36-8010	Straight Swing	30GPM	Cross	Compression	10" (254mm)	4-1/2" (114mm)	8-1/4" (210mm)
KL36-8012					12" (305mm)	5-5/8" (143mm)	9-1/4" (235mm)
KL36-8018					18" (457mm)	7-7/8" (200mm)	10-7/8" (276mm)

Flow rate @60PSI with two valves open.

For additional technical information visit our website for specification sheets.

Note: Replacement seats for faucet body - KN34-X009-SS

COMPLIES WITH:
THE FEDERAL "REDUCTION OF LEAD
IN DRINKING WATER ACT" -
2011 - US SENATE BILL NO. S.3874
NSF/ANSI 61/9, ANNEX G



FAUCET, MEDICAL/LAVATORY, CENTERSET DECK MOUNT, 4" O.C. KL83-4000 SERIES MODEL CONFIGURATOR

K X X X - X X X X - X X X

BODY

KL83 = CP POLISHED BRASS 4" CENTERSET FAUCET BODY

INLET

4 = 4" (102mm) CTR- 1/2" NPSM INTEGRAL CAST INLETS

VALVE

0 = 1/4 TURN STANDARD ENCORE® COMPRESSION VALVE W/BUILT IN CHECK
1 = 1/4 TURN CERAMIC VALVE W/ INLINE CHECK VALVE
2 = SELF-CLOSING ADJUSTABLE METERING VALVE

SPOUT

00 = 3-1/2" (89mm) GOOSENECK
01 = 8-1/2" (216mm) GOOSENECK
02 = 6" (152mm) GOOSENECK
04 = 4" (102mm) STRAIGHT CAST SPOUT

SPOUT STYLE

R = RIGID TUBULAR SPOUT
C = CAST SPOUT (CAST INTEGRAL WITH BODY)

AERATOR

A = 0.5 GPM PCA SPRAY VANDAL RESISTANT
B = 1.5 GPM MAX LAMINAR VANDAL RESISTANT
C = 0.5 GPM PCA SPRAY
D = 1.5 GPM MAX LAMINAR
E = 2.2 GPM MAX AERATED STREAM
F = 2.2 GPM MAX AERATED STREAM VANDAL RESISTANT
H = 2.2 GPM MAX AERATED STREAM VANDAL & HOSE RESISTANT
J = .35 GPM PCA SPRAY
L = .35 GPM PCA SPRAY VANDAL RESISTANT
M = 1.0 GPM PCA LAMINAR FLOW
S = 6.0 GPM MAX WIDE ROSE SPRAY

HANDLE

1 = STANDARD ENCORE® LEVER
2 = CROSS
4 = 4" (102mm) WRIST BLADE
5 = STANDARD LEVER W/TAMPER PROOF SCREW
6 = 6" (152mm) WRIST BLADE
7 = 4" (102mm) WRIST BLADE W/ TAMPER PROOF SCREW
8 = 6" (152mm) WRIST BLADE W/TAMPER PROOF SCREW
9 = 6" (152mm) METERING VALVE W/TAMPER PROOF SCREW
BLANK = METERING VALVES ARE SPECIFIED

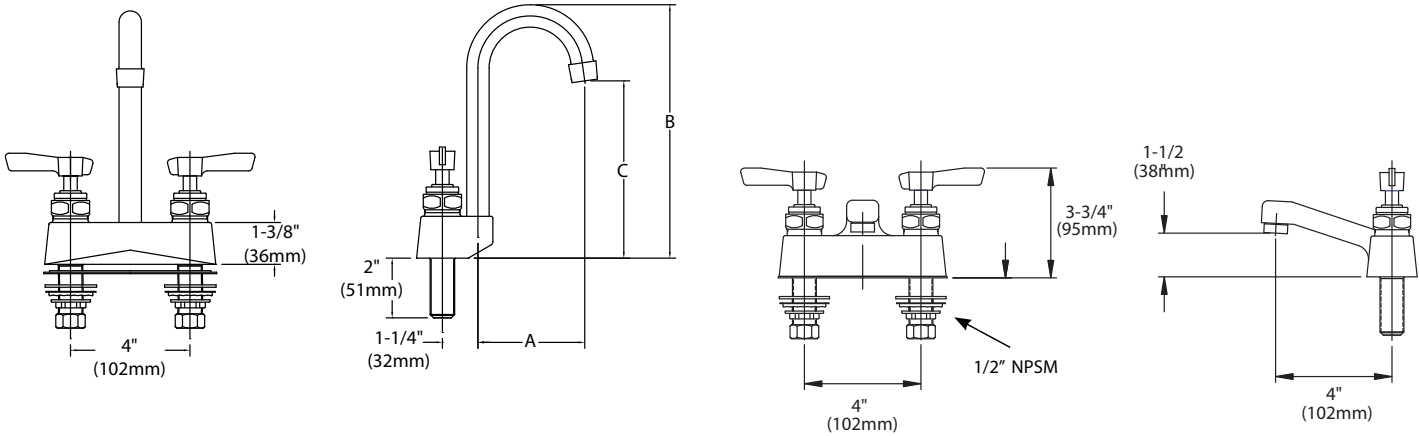
FAUCET, MEDICAL/LAVATORY, CENTERSET DECK MOUNT, 4" O.C. KL83-4000 SERIES



KL83-4x0x-RE1 Series



KL83-4x04-CE1 Series



Model No.	Spout	Flow Rate	Handles	Valves	A	B	C
KL83-4100-RE1	Rigid Gooseneck	2.2GPM	Standard Lever	Ceramic	3-1/2" (89mm)	8-1/2" (216mm)	6" (152mm)
KL83-4000-RE1				Compression			
KL83-4102-RE1				Ceramic	6" (152mm)	9-1/2" (241mm)	5-1/2" (140mm)
KL83-4002-RE1				Compression			
KL83-4101-RE1				Ceramic	8-1/2" (216mm)	12-1/2" (317mm)	6-1/4" (159mm)
KL83-4001-RE1				Compression			
KL83-4104-CE1	Straight Cast	2.2GPM	Standard Lever	Ceramic	—	—	—
KL83-4004-CE1				Compression			

For additional technical information visit our website for specification sheets.

COMPLIES WITH:
THE FEDERAL "REDUCTION OF LEAD
IN DRINKING WATER ACT" –
2011 – US SENATE BILL NO. S.3874
NSF/ANSI 61/9, ANNEX G



For service parts breakdown, refer to page 357-358.

FAUCET, MEDICAL/LAVATORY, WIDESPREAD CONCEALED DECK MOUNT KL84-8000 SERIES MODEL CONFIGURATOR

K X X X - X X X X - X X X

BODY

KL84 = CP POLISHED BRASS WIDESPREAD FAUCET

INLET

3 = 5"-24" (127mm-607mm) ADJUSTABLE HOSE 1/2" NPSM & THIRD WATERWAY INLET
 8 = 5"-24" (127mm-607mm) ADJUSTABLE HOSE 1/2" NPSM INLETS
 9 = 8" (203mm) FIXED TUBE RIGID

VALVE

0 = 1/4 TURN STANDARD ENCORE® COMPRESSION VALVE W/BUILT IN CHECK
 1 = 1/4 TURN CERAMIC VALVE W/ INLINE CHECK VALVE
 2 = SELF-CLOSING ADJUSTABLE METERING VALVE

SPOUT

00 = 3-1/2" (89mm) GOOSENECK
 01 = 8-1/2" (216mm) GOOSENECK
 02 = 6" (152mm) GOOSENECK
 05 = 5" (127mm) STRAIGHT CAST SPOUT BASE

SPOUT STYLE

R = RIGID TUBULAR SPOUT
 S = SWIVEL TUBULAR SPOUT
 C = CAST SPOUT (CAST INTEGRAL WITH BODY)

AERATOR

A = 0.5 GPM PCA SPRAY VANDAL RESISTANT
 B = 1.5 GPM MAX LAMINAR VANDAL RESISTANT
 C = 0.5 GPM PCA SPRAY
 D = 1.5 GPM MAX LAMINAR
 E = 2.2 GPM MAX AERATED STREAM
 F = 2.2 GPM MAX AERATED STREAM VANDAL RESISTANT
 H = 2.2 GPM MAX AERATED STREAM VANDAL & HOSE RESISTANT
 J = .35 GPM PCA SPRAY
 L = .35 GPM PCA SPRAY VANDAL RESISTANT
 M = 1.0 GPM PCA LAMINAR FLOW
 S = 6.0 GPM MAX WIDE ROSE SPRAY

HANDLE

1 = STANDARD ENCORE® LEVER
 2 = CROSS
 4 = 4" (102mm) WRIST BLADE
 5 = STANDARD LEVER W/TAMPER PROOF SCREW
 6 = 6" (152mm) WRIST BLADE
 7 = 4" (102mm) WRIST BLADE W/ TAMPER PROOF SCREW
 8 = 6" (152mm) WRIST BLADE W/TAMPER PROOF SCREW
 9 = 6" (152mm) METERING VALVE W/TAMPER PROOF SCREW
 BLANK = METERING VALVES ARE SPECIFIED

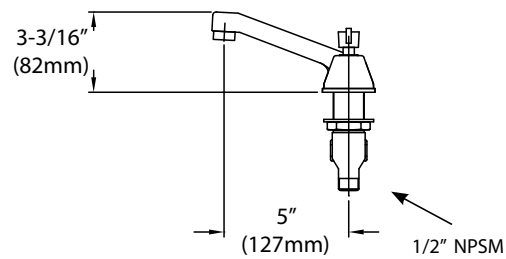
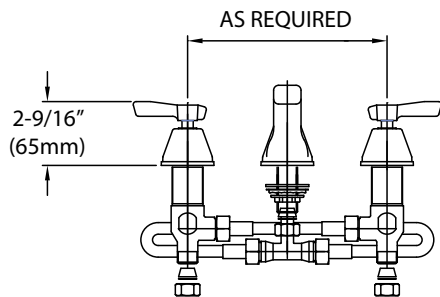
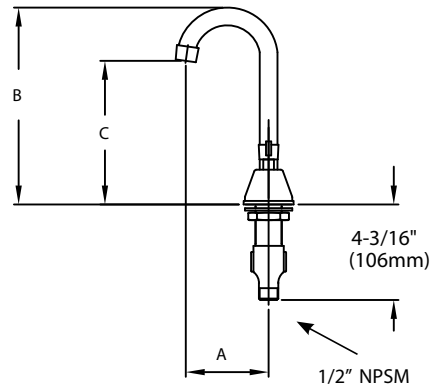
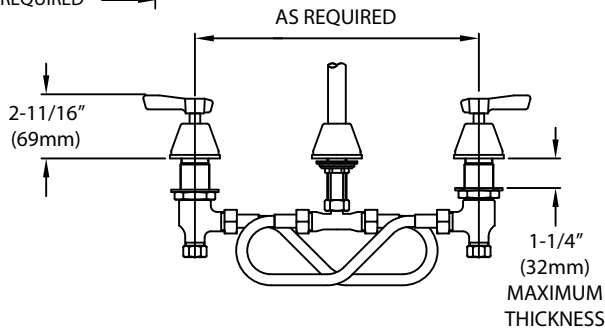
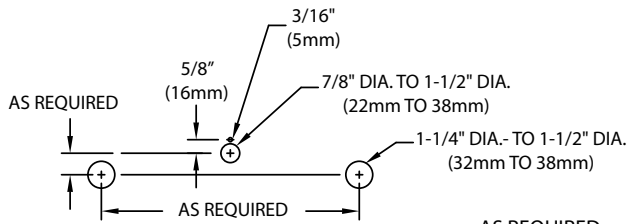
FAUCET, MEDICAL/LAVATORY, WIDESPREAD CONCEALED DECK MOUNT KL84-8000 SERIES



KL84-8x0x-RE1 Series



KL84-8x05-CE1 Series



Model No.	Spout	Flow Rate	Handles	Valves	A	B	C
KL84-8100-RE1	Rigid Gooseneck	2.2GPM	Standard Lever	Ceramic	3-1/2" (89mm)	8-1/2" (216mm)	6" (152mm)
KL84-8000-RE1				Compression			
KL84-8102-RE1				Ceramic	6" (152mm)	9-1/2" (241mm)	5-1/2" (140mm)
KL84-8002-RE1				Compression			
KL84-8101-RE1				Ceramic	8-1/2" (216mm)	12-1/2" (317mm)	6-1/4" (159mm)
KL84-8001-RE1				Compression			
KL84-8105-CE1	Straight Cast	2.2GPM	Standard Lever	Ceramic	—	—	—
KL84-8005-CE1				Compression			

For additional technical information visit our website for specification sheets.

COMPLIES WITH:
THE FEDERAL "REDUCTION OF LEAD
IN DRINKING WATER ACT" -
2011 - US SENATE BILL NO. S.3874
NSF/ANSI 61/9, ANNEX G



For service parts breakdown, refer to page 359-360.

FAUCET, MEDICAL/LAVATORY, CENTERSET DECK MOUNT, 4" O.C., POP-UP HOLE KL85-4000 SERIES MODEL CONFIGURATOR

K X X X - X X X X - X X X

BODY

KL85 = CP POLISHED BRASS 4" CENTERSET FAUCET BODY WITH POP-UP HOLE

INLET

4 = 4" (102mm) CTR- 1/2" NPSM INTEGRAL CAST INLETS

VALVE

0 = 1/4 TURN STANDARD ENCORE® COMPRESSION VALVE W/BUILT IN CHECK
1 = 1/4 TURN CERAMIC VALVE W/ INLINE CHECK VALVE
2 = SELF-CLOSING ADJUSTABLE METERING VALVE

SPOUT

00 = 3-1/2" (89mm) GOOSENECK
01 = 8-1/2" (216mm) GOOSENECK
02 = 6" (152mm) GOOSENECK
04 = 4" (102mm) STRAIGHT CAST SPOUT

SPOUT STYLE

R = RIGID TUBULAR SPOUT
C = CAST SPOUT (CAST INTEGRAL WITH BODY)

AERATOR

A = 0.5 GPM PCA SPRAY VANDAL RESISTANT
B = 1.5 GPM MAX LAMINAR VANDAL RESISTANT
C = 0.5 GPM PCA SPRAY
D = 1.5 GPM MAX LAMINAR
E = 2.2 GPM MAX AERATED STREAM
F = 2.2 GPM MAX AERATED STREAM VANDAL RESISTANT
H = 2.2 GPM MAX AERATED STREAM VANDAL & HOSE RESISTANT
J = .35 GPM PCA SPRAY
L = .35 GPM PCA SPRAY VANDAL RESISTANT
M = 1.0 GPM PCA LAMINAR FLOW
S = 6.0 GPM MAX WIDE ROSE SPRAY

HANDLE

1 = STANDARD ENCORE® LEVER
2 = CROSS
4 = 4" (102mm) WRIST BLADE
5 = STANDARD LEVER W/TAMPER PROOF SCREW
6 = 6" (152mm) WRIST BLADE
7 = 4" (102mm) WRIST BLADE W/ TAMPER PROOF SCREW
8 = 6" (152mm) WRIST BLADE W/TAMPER PROOF SCREW
9 = 6" (152mm) METERING VALVE W/TAMPER PROOF SCREW
BLANK = METERING VALVES ARE SPECIFIED

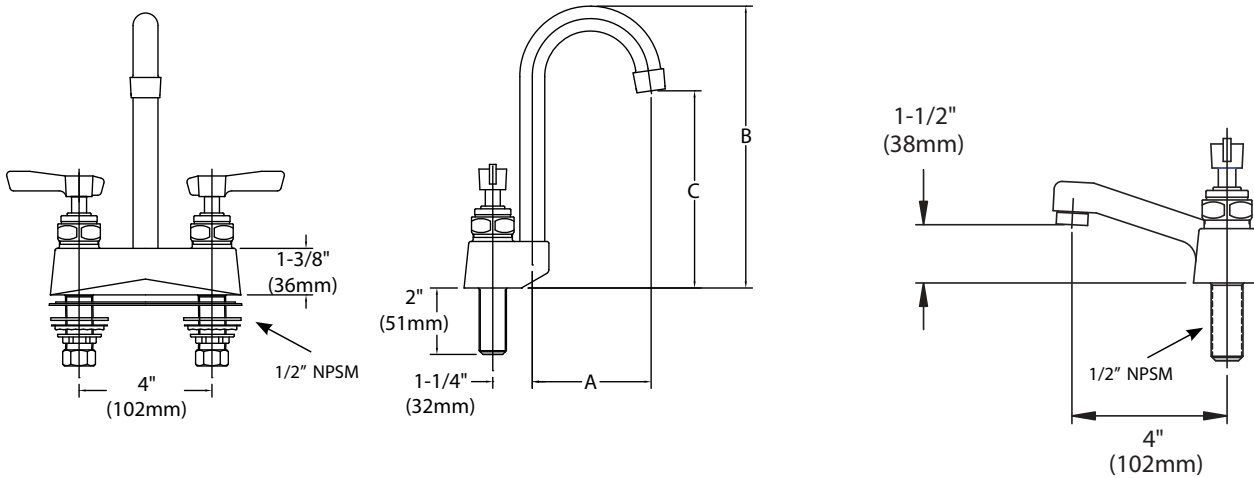
FAUCET, MEDICAL/LAVATORY, CENTERSET DECK MOUNT, 4" O.C., POP-UP HOLE KL85-4000 SERIES



KL85-4x0x-RE1 Series



KL85-4x04-CE1 Series



Model No.	Spout	Flow Rate	Handles	Valves	A	B	C
KL85-4100-RE1	Rigid Gooseneck	2.2GPM	Standard Lever	Ceramic	3-1/2" (89mm)	8-1/2" (216mm)	6" (152mm)
KL85-4000-RE1				Compression			
KL85-4102-RE1				Ceramic	6" (152mm)	9-1/2" (241mm)	5-1/2" (140mm)
KL85-4002-RE1				Compression			
KL85-4101-RE1				Ceramic	8-1/2" (216mm)	12-1/2" (317mm)	6-1/4" (159mm)
KL85-4001-RE1				Compression			
KL85-4104-CE1	Straight Cast	2.2GPM	Standard Lever	Ceramic	—	—	—
KL85-4004-CE1				Compression			

For additional technical information visit our website for specification sheets.

COMPLIES WITH:
THE FEDERAL "REDUCTION OF LEAD
IN DRINKING WATER ACT" -
2011 - US SENATE BILL NO. S.3874
NSF/ANSI 61/9, ANNEX G



FAUCET, MEDICAL/LAVATORY, CENTERSET DECK MOUNT, 4" O.C., POP-UP KPL85-4000 SERIES MODEL CONFIGURATOR

K X X X - X X X X - X X X

BODY

KPL85 = CP POLISHED BRASS 4" CENTERSET FAUCET BODY WITH POP-UP HOLE AND POP-UP DRAIN

INLET

4 = 4" (102mm) CTR- 1/2" NPSM INTEGRAL CAST INLETS

VALVE

0 = 1/4 TURN STANDARD ENCORE® COMPRESSION VALVE W/BUILT IN CHECK
1 = 1/4 TURN CERAMIC VALVE W/ INLINE CHECK VALVE
2 = SELF-CLOSING ADJUSTABLE METERING VALVE

SPOUT

04 = 4" (102mm) STRAIGHT CAST SPOUT

SPOUT STYLE

C = CAST SPOUT (CAST INTEGRAL WITH BODY)

AERATOR

A = 0.5 GPM PCA SPRAY VANDAL RESISTANT
B = 1.5 GPM MAX LAMINAR VANDAL RESISTANT
C = 0.5 GPM PCA SPRAY
D = 1.5 GPM MAX LAMINAR
E = 2.2 GPM MAX AERATED STREAM
F = 2.2 GPM MAX AERATED STREAM VANDAL RESISTANT
H = 2.2 GPM MAX AERATED STREAM VANDAL & HOSE RESISTANT
J = .35 GPM PCA SPRAY
L = .35 GPM PCA SPRAY VANDAL RESISTANT
M = 1.0 GPM PCA LAMINAR FLOW
S = 6.0 GPM MAX WIDE ROSE SPRAY

HANDLE

1 = STANDARD ENCORE® LEVER
2 = CROSS
4 = 4" (102mm) WRIST BLADE
5 = STANDARD LEVER W/TAMPER PROOF SCREW
6 = 6" (152mm) WRIST BLADE
7 = 4" (102mm) WRIST BLADE W/ TAMPER PROOF SCREW
8 = 6" (152mm) WRIST BLADE W/TAMPER PROOF SCREW
9 = 6" (152mm) METERING VALVE W/TAMPER PROOF SCREW
BLANK = METERING VALVES ARE SPECIFIED

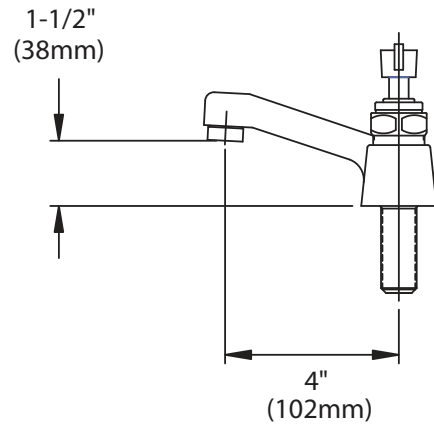
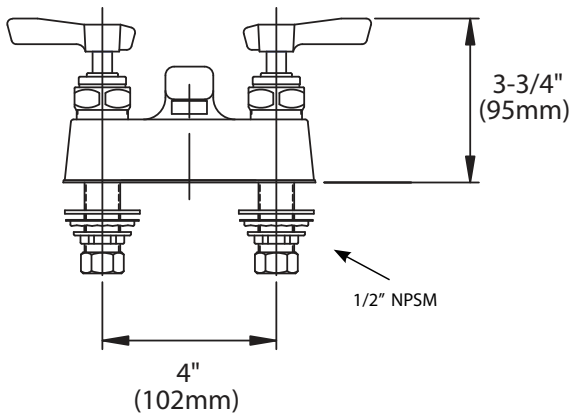
FAUCET, MEDICAL/LAVATORY, CENTERSET DECK MOUNT, 4" O.C., POP-UP KPL85-4000 SERIES



KPL85-4x04CE1 Series



KPL85-4x04CE4 Series



Model No.	Spout	Flow Rate	Handles	Valves
KPL85-4104CE1	Straight Cast	2.2GPM	Standard Lever	Ceramic
KPL85-4004CE1				Compression

For additional technical information visit our website for specification sheets.

COMPLIES WITH:
THE FEDERAL "REDUCTION OF LEAD
IN DRINKING WATER ACT" -
2011 - US SENATE BILL NO. S.3874
NSF/ANSI 61/9, ANNEX G



FAUCET, MEDICAL/LAVATORY, WIDESPREAD CONCEALED DECK MOUNT, POP-UP HOLE KL86-8000 SERIES MODEL CONFIGURATOR

K X X X - X X X X - X X X

BODY

KL86 = CP POLISHED BRASS WIDESPREAD FAUCET WITH POP-UP HOLE

INLET

8 = 5"-24" (127mm-607mm) ADJUSTABLE HOSE 1/2" NPSM INLETS

9 = 8" (203mm) FIXED TUBE RIGID

VALVE

0 = 1/4 TURN STANDARD ENCORE® COMPRESSION VALVE W/BUILT IN CHECK

1 = 1/4 TURN CERAMIC VALVE W/ INLINE CHECK VALVE

2 = SELF-CLOSING ADJUSTABLE METERING VALVE (ONLY USE AERATORS A & C)

SPOUT

00 = 3-1/2" (89mm) GOOSENECK

01 = 8-1/2" (216mm) GOOSENECK

02 = 6" (152mm) GOOSENECK

05 = 5" (127mm) STRAIGHT CAST SPOUT BASE

SPOUT STYLE

R = RIGID TUBULAR SPOUT

C = CAST SPOUT (CAST INTEGRAL WITH BODY)

AERATOR

A = 0.5 GPM PCA SPRAY VANDAL RESISTANT

B = 1.5 GPM MAX LAMINAR VANDAL RESISTANT

C = 0.5 GPM PCA SPRAY

D = 1.5 GPM MAX LAMINAR

E = 2.2 GPM MAX AERATED STREAM

F = 2.2 GPM MAX AERATED STREAM VANDAL RESISTANT

H = 2.2 GPM MAX AERATED STREAM VANDAL & HOSE RESISTANT

J = .35 GPM PCA SPRAY

L = .35 GPM PCA SPRAY VANDAL RESISTANT

M = 1.0 GPM PCA LAMINAR FLOW

S = 6.0 GPM MAX WIDE ROSE SPRAY

HANDLE

1 = STANDARD ENCORE® LEVER

2 = CROSS

4 = 4" (102mm) WRIST BLADE

5 = STANDARD LEVER W/TAMPER PROOF SCREW

6 = 6" (152mm) WRIST BLADE

7 = 4" (102mm) WRIST BLADE W/ TAMPER PROOF SCREW

8 = 6" (152mm) WRIST BLADE W/TAMPER PROOF SCREW

9 = 6" (152mm) METERING VALVE W/TAMPER PROOF SCREW

BLANK = METERING VALVES ARE SPECIFIED

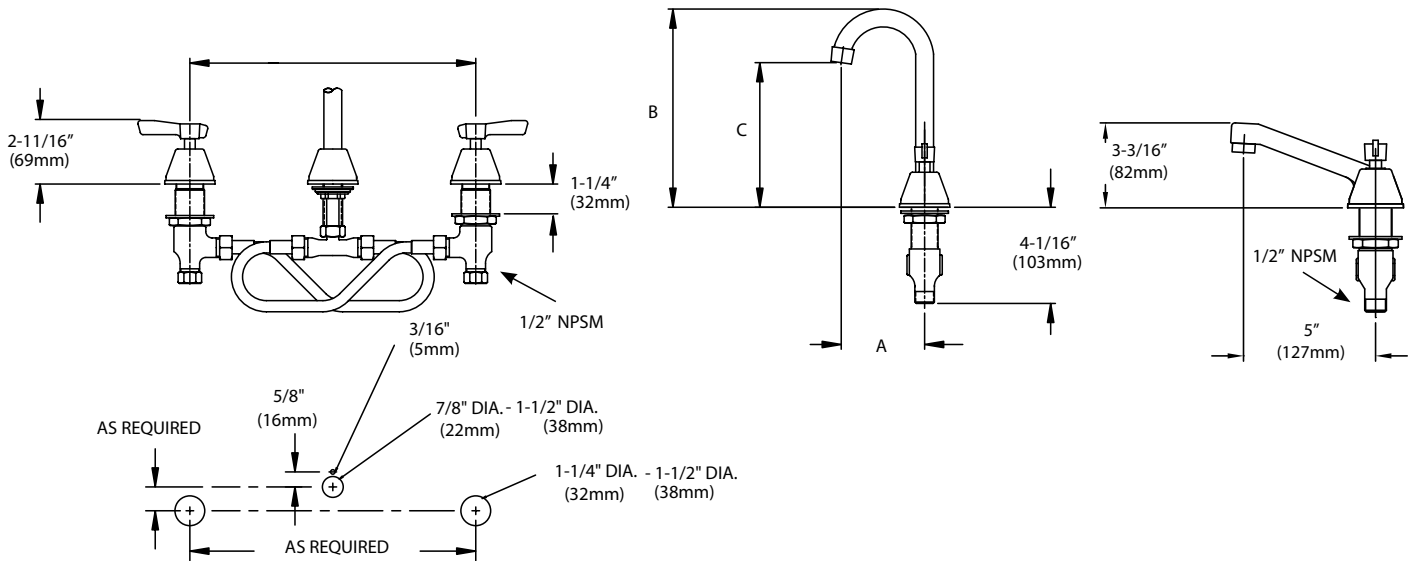
FAUCET, MEDICAL/LAVATORY, WIDESPREAD CONCEALED DECK MOUNT, POP-UP HOLE KL86-8000 SERIES



KL86-8x0x-RE1 Series



KL86-8x05-CE1 Series



Model No.	Spout	Flow Rate	Handles	Valves	A	B	C
KL86-8100-RE1	Rigid Gooseneck	2.2GPM	Standard Lever	Ceramic	3-1/2" (89mm)	8-1/2" (216mm)	6" (152mm)
KL86-8000-RE1				Compression			
KL86-8102-RE1				Ceramic	6" (152mm)	9-1/2" (241mm)	5-1/2" (140mm)
KL86-8002-RE1				Compression			
KL86-8101-RE1				Ceramic	8-1/2" (216mm)	12-1/2" (317mm)	6-1/4" (159mm)
KL86-8001-RE1				Compression			
KL86-8105-CE1	Straight Cast	2.2GPM	Standard Lever	Ceramic	—	—	—
KL86-8005-CE1				Compression			

For additional technical information visit our website for specification sheets.

COMPLIES WITH:
THE FEDERAL "REDUCTION OF LEAD
IN DRINKING WATER ACT" -
2011 - US SENATE BILL NO. S.3874
NSF/ANSI 61/9, ANNEX G



FAUCET, MEDICAL/LAVATORY, WIDESPREAD CONCEALED DECK MOUNT, SIDE SPRAY KL88-8000 SERIES MODEL CONFIGURATOR

K X X X - X X X X - X X X

BODY

KL88 = CP POLISHED BRASS WIDESPREAD FAUCET WITH SIDE SPRAY

INLET

8 = 5"-24" (127mm-607mm) ADJUSTABLE HOSE 1/2" NPSM INLETS

9 = 8" (203mm) FIXED TUBE RIGID

VALVE

0 = 1/4 TURN STANDARD ENCORE® COMPRESSION VALVE W/BUILT IN CHECK

1 = 1/4 TURN CERAMIC VALVE W/ INLINE CHECK VALVE

2 = SELF-CLOSING ADJUSTABLE METERING VALVE (ONLY USE AERATORS A & C)

SPOUT

00 = 3-1/2" (89mm) GOOSENECK

01 = 8-1/2" (216mm) GOOSENECK

02 = 6" (152mm) GOOSENECK

05 = 5" (127mm) STRAIGHT CAST SPOUT BASE

SPOUT STYLE

R = RIGID TUBULAR SPOUT

C = CAST SPOUT (CAST INTEGRAL WITH BODY)

AERATOR

A = 0.5 GPM PCA SPRAY VANDAL RESISTANT

B = 1.5 GPM MAX LAMINAR VANDAL RESISTANT

C = 0.5 GPM PCA SPRAY

D = 1.5 GPM MAX LAMINAR

E = 2.2 GPM MAX AERATED STREAM

F = 2.2 GPM MAX AERATED STREAM VANDAL RESISTANT

H = 2.2 GPM MAX AERATED STREAM VANDAL & HOSE RESISTANT

J = .35 GPM PCA SPRAY

L = .35 GPM PCA SPRAY VANDAL RESISTANT

M = 1.0 GPM PCA LAMINAR FLOW

S = 6.0 GPM MAX WIDE ROSE SPRAY

HANDLE

1 = STANDARD ENCORE® LEVER

2 = CROSS

4 = 4" (102mm) WRIST BLADE

5 = STANDARD LEVER W/TAMPER PROOF SCREW

6 = 6" (152mm) WRIST BLADE

7 = 4" (102mm) WRIST BLADE W/ TAMPER PROOF SCREW

8 = 6" (152mm) WRIST BLADE W/TAMPER PROOF SCREW

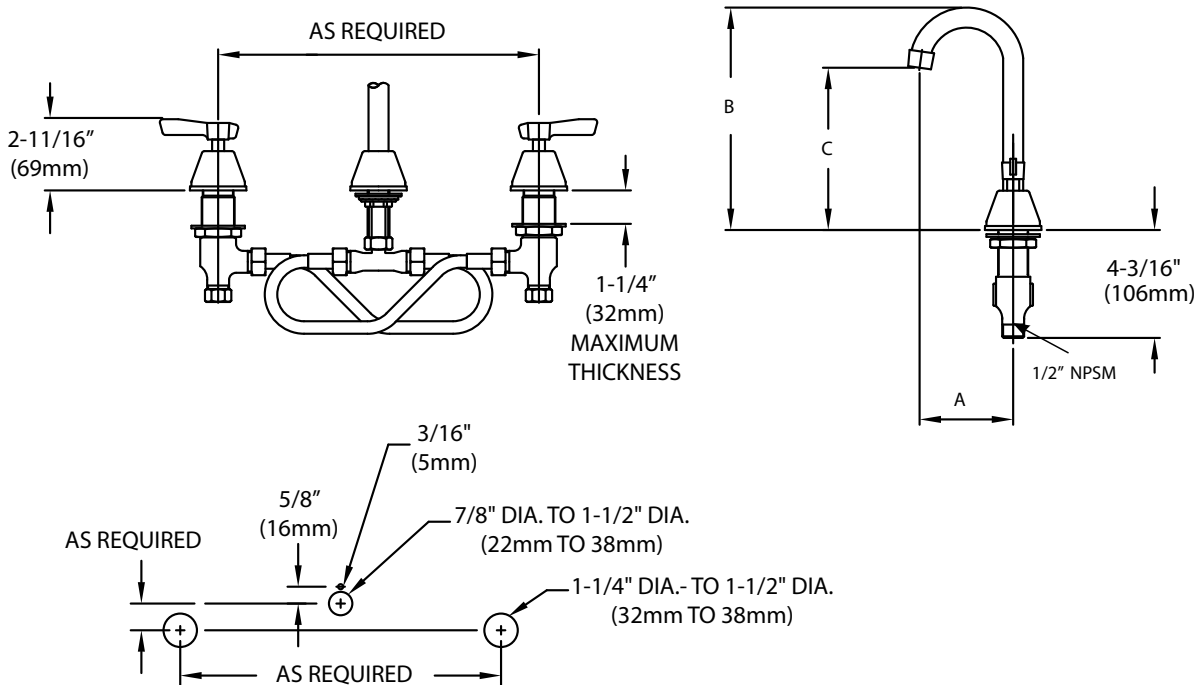
9 = 6" (152mm) METERING VALVE W/TAMPER PROOF SCREW

BLANK = METERING VALVES ARE SPECIFIED

FAUCET, MEDICAL/LAVATORY, WIDESPREAD CONCEALED DECK MOUNT, SIDE SPRAY KL88-8000 SERIES



KL88-8x0x-RE1 Series



Model No.	Spout	Flow Rate	Handles	Valves	A	B	C
KL88-8100-RE1	Rigid Gooseneck	2.2GPM	Standard Lever	Ceramic	3-1/2" (89mm)	8-1/2" (216mm)	6" (152mm)
KL88-8000-RE1				Compression			
KL88-8102-RE1				Ceramic	6" (152mm)	9-1/2" (241mm)	5-1/2" (140mm)
KL88-8002-RE1				Compression			
KL88-8101-RE1				Ceramic	8-1/2" (216mm)	12-1/2" (317mm)	6-1/4" (159mm)
KL88-8001-RE1				Compression			

For additional technical information visit our website for specification sheets.

COMPLIES WITH:
THE FEDERAL "REDUCTION OF LEAD
IN DRINKING WATER ACT" -
2011 - US SENATE BILL NO. S.3874
NSF/ANSI 61/9, ANNEX G



FAUCET, MEDICAL/LAVATORY, SINGLE HANDLE DECK MOUNT KL87-8005 SERIES MODEL CONFIGURATOR

K x x x - x x x x - x x x

BODY

KL87 = CP POLISHED BRASS SINGLE BASIN DECK MOUNT

INLET

8 = SINGLE 1/2" NPSM

VALVE

0 = 1/4 TURN STANDARD ENCORE® COMPRESSION VALVE W/BUILT IN CHECK
 1 = 1/4 TURN CERAMIC VALVE W/ INLINE CHECK VALVE
 2 = SELF-CLOSING ADJUSTABLE METERING VALVE (ONLY USE AERATORS A & C)

COVER PLATE

0 = NO COVER PLATE
 4 = 4" DECK PLATE
 8 = 8" DECK PLATE

SPOUT

5 = 5" (127mm) INTEGRAL CAST AERATOR OUTLET

VALVE TYPE

C = COLD
 H = HOT
 U = UNIVERSAL

AERATOR

A = 0.5 GPM PCA SPRAY VANDAL RESISTANT
 B = 1.5 GPM MAX LAMINAR VANDAL RESISTANT
 C = 0.5 GPM PCA SPRAY
 D = 1.5 GPM MAX LAMINAR
 E = 2.2 GPM MAX AERATED STREAM
 F = 2.2 GPM MAX AERATED STREAM VANDAL RESISTANT
 H = 2.2 GPM MAX AERATED STREAM VANDAL & HOSE RESISTANT
 J = .35 GPM PCA SPRAY
 L = .35 GPM PCA SPRAY VANDAL RESISTANT
 M = 1.0 GPM PCA LAMINAR FLOW
 S = 6.0 GPM MAX WIDE ROSE SPRAY

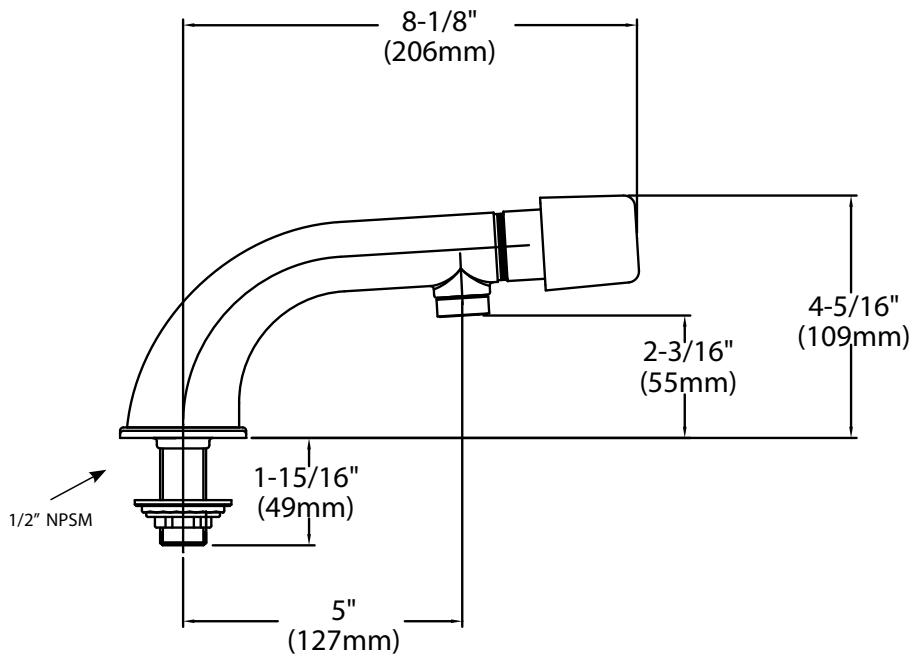
HANDLE

1 = STANDARD ENCORE® LEVER
 2 = CROSS
 4 = 4" (102mm) WRIST BLADE
 5 = STANDARD LEVER W/TAMPER PROOF SCREW
 6 = 6" (152mm) WRIST BLADE
 7 = 4" (102mm) WRIST BLADE W/ TAMPER PROOF SCREW
 8 = 6" (152mm) WRIST BLADE W/TAMPER PROOF SCREW
 9 = 6" (152mm) METERING VALVE W/TAMPER PROOF SCREW
 BLANK = METERING VALVES ARE SPECIFIED

FAUCET, MEDICAL/LAVATORY, SINGLE HANDLE DECK MOUNT KL87-8005 SERIES



KL87-8205 Series



Model No.	Spout	Flow Rate	Handle	Valve
KL87-8205UAXZ	5" Angled	.5GPM	Metering	Universal Metering
KL87-8205UEXZ		2.2GPM		

For additional technical information visit our website for specification sheets.

COMPLIES WITH:
THE FEDERAL "REDUCTION OF LEAD
IN DRINKING WATER ACT" -
2011 - US SENATE BILL NO. S.3874
NSF/ANSI 61/9, ANNEX G



FAUCET, MEDICAL/LAVATORY, SINGLE HANDLE DECK MOUNT KL87-9005 SERIES MODEL CONFIGURATOR

K x x x - x x x x - x x x

BODY

KL87 = CP POLISHED BRASS SINGLE VALVE DECK MOUNT

INLET

9 = SINGLE 1/2" NPSM

VALVE

0 = 1/4 TURN STANDARD ENCORE® COMPRESSION VALVE W/BUILT IN CHECK
 1 = 1/4 TURN CERAMIC VALVE W/ INLINE CHECK VALVE
 2 = SELF-CLOSING ADJUSTABLE METERING VALVE (ONLY USE AERATORS A & C)

SPOUT

05 = 5" (127mm) STRAIGHT CAST SPOUT BASE

VALVE TYPE

C = COLD
 H = HOT
 U = UNIVERSAL

AERATOR

A = 0.5 GPM PCA SPRAY VANDAL RESISTANT
 B = 1.5 GPM MAX LAMINAR VANDAL RESISTANT
 C = 0.5 GPM PCA SPRAY
 D = 1.5 GPM MAX LAMINAR
 E = 2.2 GPM MAX AERATED STREAM
 F = 2.2 GPM MAX AERATED STREAM VANDAL RESISTANT
 H = 2.2 GPM MAX AERATED STREAM VANDAL & HOSE RESISTANT
 J = .35 GPM PCA SPRAY
 L = .35 GPM PCA SPRAY VANDAL RESISTANT
 M = 1.0 GPM PCA LAMINAR FLOW
 S = 6.0 GPM MAX WIDE ROSE SPRAY

HANDLE

1 = STANDARD ENCORE® LEVER
 2 = CROSS
 4 = 4" (102mm) WRIST BLADE
 5 = STANDARD LEVER W/TAMPER PROOF SCREW
 6 = 6" (152mm) WRIST BLADE
 7 = 4" (102mm) WRIST BLADE W/ TAMPER PROOF SCREW
 8 = 6" (152mm) WRIST BLADE W/TAMPER PROOF SCREW
 9 = 6" (152mm) METERING VALVE W/TAMPER PROOF SCREW
 BLANK = METERING VALVES ARE SPECIFIED

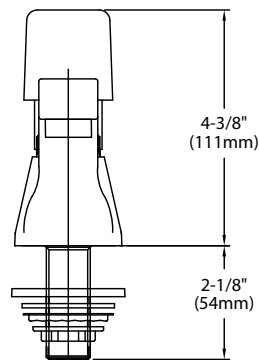
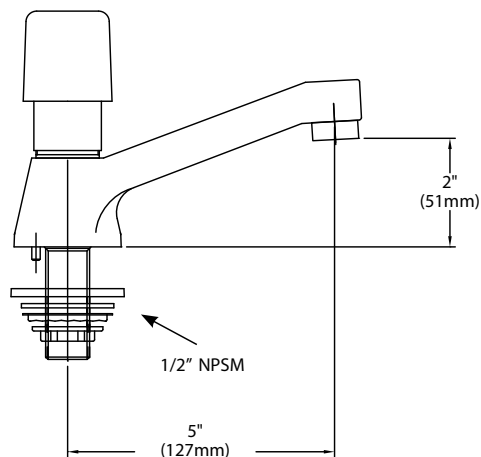
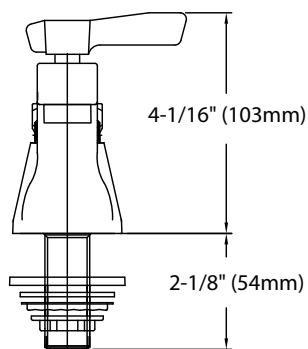
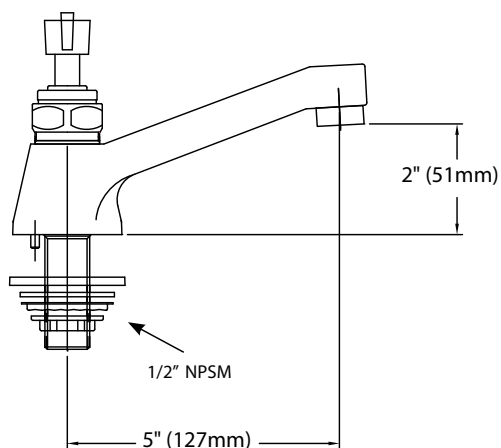
FAUCET, MEDICAL/LAVATORY, SINGLE HANDLE DECK MOUNT KL87-9005 SERIES



KL87-9105-xE1 Series



KL87-9205 Series



Model No.	Spout	Flow Rate	Handle	Valve
KL87-9105-CE1	5" Post Basin Tap	2.2GPM	Standard Lever	Ceramic Cold
KL87-9105-HE1				Ceramic Hot
KL87-9205UAXZ	5" Post Basin Tap	.5GPM	Metering	Universal Metering
KL87-9205UEXZ		2.2GPM		

For additional technical information visit our website for specification sheets.

COMPLIES WITH:
THE FEDERAL "REDUCTION OF LEAD
IN DRINKING WATER ACT" -
2011 - US SENATE BILL NO. S.3874
NSF/ANSI 61/9, ANNEX G



FAUCET, MEDICAL/LAVATORY, SINGLE HOLE SPLASH MOUNT BASE KL72-9000 SERIES MODEL CONFIGURATOR

K x x x - x 0 x x - x x

BODY

KL72 = CP POLISHED LOW LEAD BRASS SINGLE HOLE BASE

INLET

9 = SINGLE 1/2" NPSM INTEGRAL CAST INLETS

SPOUT

- 00 = 3-1/2" (89mm) GOOSENECK
- 01 = 8-1/2" (216mm) GOOSENECK
- 02 = 6" (152mm) GOOSENECK
- 06 = 6" (152mm) TUBULAR OR CAST SWING SPOUT
- 08 = 8" (203mm) TUBULAR SWING SPOUT
- 10 = 10" (254mm) TUBULAR SWING SPOUT
- 12 = 12" (305mm) TUBULAR SWING SPOUT
- 14 = 14" (356mm) TUBULAR SWING SPOUT
- 16 = 16" (406mm) TUBULAR SWING SPOUT
- 18 = 18" (457mm) DOUBLE JOINTED SWING SPOUT
- 18A = 18" (457mm) TUBULAR SWING SPOUT
- 24 = 24" (609mm) DOUBLE JOINTED SWING SPOUT

SPOUT STYLE

- S = ADJUSTABLE SPOUT
- R = RIGID TUBULAR SPOUT
- T = CAST TUBULAR SPOUT (6" ONLY)

AERATOR

- A = 0.5 GPM PCA SPRAY VANDAL RESISTANT
- B = 1.5 GPM MAX LAMINAR VANDAL RESISTANT
- C = 0.5 GPM PCA SPRAY
- D = 1.5 GPM MAX LAMINAR
- E = 2.2 GPM MAX AERATED STREAM
- F = 2.2 GPM MAX AERATED STREAM VANDAL RESISTANT
- H = 2.2 GPM MAX AERATED STREAM VANDAL & HOSE RESISTANT
- J = .35 GPM PCA SPRAY
- L = .35 GPM PCA SPRAY VANDAL RESISTANT
- M = 1.0 GPM PCA LAMINAR FLOW
- S = 6.0 GPM MAX WIDE ROSE SPRAY

FAUCET, MEDICAL/LAVATORY, SINGLE HOLE SPLASH MOUNT BASE KL72-9000 SERIES



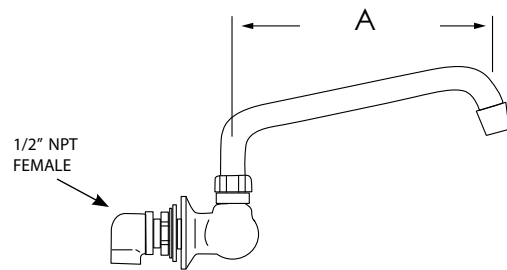
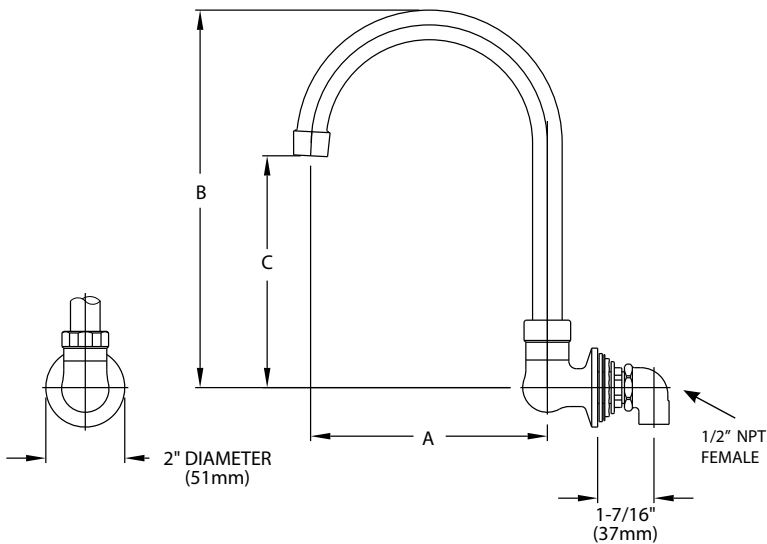
KL72-900x-x Series



KL72-90xx Series



KL72-9018-SV1



Model No.	Spout	Flow Rate	A	B	C
KL72-9000-R	Rigid Gooseneck	2.2GPM	3-1/2" (89mm)	8" (203mm)	6-3/16" (157mm)
KL72-9001-R			8-1/2" (216mm)	11-15/16" (303mm)	6-7/16" (164mm)
KL72-9002-R			6" (152mm)	9-1/4" (152mm)	5-15/16" (151mm)
KL72-9000	Adjustable Gooseneck	2.2GPM	3-1/2" (89mm)	8" (203mm)	5-1/2" (140mm)
KL72-9001			8" (203mm)	13-3/4" (349mm)	8-1/4" (210mm)
KL72-9002			6" (152mm)	9-1/4" (235mm)	5-1/4" (133mm)

Model No.	Spout	Flow Rate	A
KL72-9006	Stainless Steel Tubular Swing	2.2GPM	6" (152mm)
KL72-9008			8" (203mm)
KL72-9010			10" (254mm)
KL72-9012			12" (305mm)
KL72-9014			14" (356mm)
KL72-9016			16" (406mm)
KL72-9018			18" (457mm)

Model No.	Spout	Flow Rate	Spout Length
KL72-9018-SV1	Double Jointed Stainless Steel Tubular Swing with Pot Filler Valve	2.2GPM	18" (457mm)

Drawing Not Shown

For additional technical information visit our website for specification sheets.

For service parts breakdown, refer to page 345.

COMPLIES WITH:
THE FEDERAL "REDUCTION OF LEAD
IN DRINKING WATER ACT" -
2011 - US SENATE BILL NO. S.3874
NSF/ANSI 61/9, ANNEX G



FAUCET, SINGLE PANTRY SPLASH MOUNT KL70-9000 SERIES MODEL CONFIGURATOR

K X X X - X X X X - X X X

BODY

KL70 = CP POLISHED LOW LEAD BRASS SINGLE PANTRY BODY

INLET

9 = SINGLE 1/2" NPSM INTEGRAL CAST INLETS

VALVE

0 = 1/4 TURN STANDARD ENCORE® COMPRESSION VALVE W/BUILT IN CHECK

1 = 1/4 TURN CERAMIC VALVE W/ INLINE CHECK VALVE

SPOUT

00 = 3-1/2" (89mm) GOOSENECK

01 = 8-1/2" (216mm) GOOSENECK

02 = 6" (152mm) GOOSENECK

06 = 6" (152mm) TUBULAR OR CAST SWING SPOUT

08 = 8" (203mm) TUBULAR SWING SPOUT

10 = 10" (254mm) TUBULAR SWING SPOUT

12 = 12" (305mm) TUBULAR SWING SPOUT

14 = 14" (356mm) TUBULAR SWING SPOUT

16 = 16" (406mm) TUBULAR SWING SPOUT

18 = 18" (457mm) DOUBLE JOINTED SWING SPOUT

18A = 18" (457mm) TUBULAR SWING SPOUT

24 = 24" (609mm) DOUBLE JOINTED SWING SPOUT

SPOUT STYLE

S = ADJUSTABLE SPOUT

R = RIGID TUBULAR SPOUT

T = CAST TUBULAR SPOUT (6" ONLY)

AERATOR

A = 0.5 GPM PCA SPRAY VANDAL RESISTANT

B = 1.5 GPM MAX LAMINAR VANDAL RESISTANT

C = 0.5 GPM PCA SPRAY

D = 1.5 GPM MAX LAMINAR

E = 2.2 GPM MAX AERATED STREAM

F = 2.2 GPM MAX AERATED STREAM VANDAL RESISTANT

H = 2.2 GPM MAX AERATED STREAM VANDAL & HOSE RESISTANT

J = .35 GPM PCA SPRAY

L = .35 GPM PCA SPRAY VANDAL RESISTANT

M = 1.0 GPM PCA LAMINAR FLOW

S = 6.0 GPM MAX WIDE ROSE SPRAY

HANDLE

1 = STANDARD ENCORE® LEVER

2 = CROSS

4 = 4" (102mm) WRIST BLADE

5 = STANDARD LEVER W/TAMPER PROOF SCREW

6 = 6" (152mm) WRIST BLADE

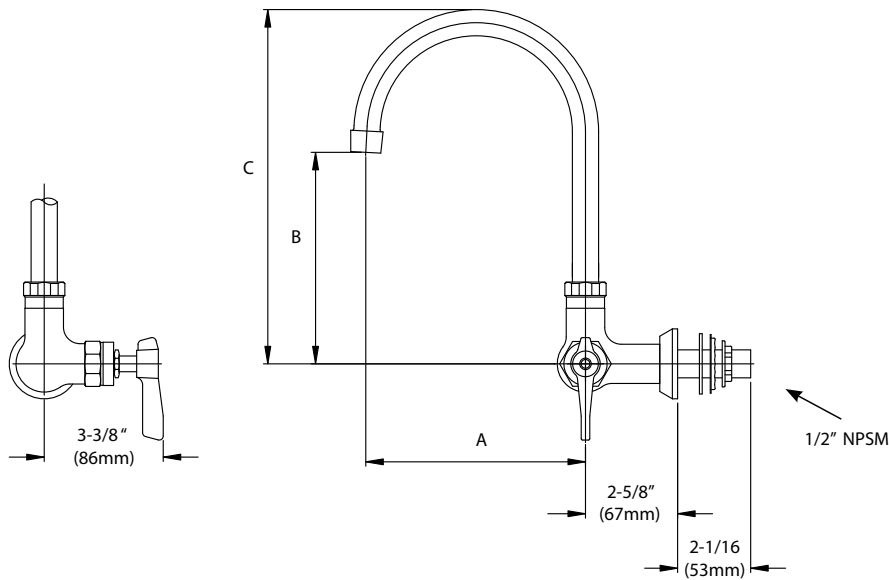
7 = 4" (102mm) WRIST BLADE W/ TAMPER PROOF SCREW

8 = 6" (152mm) WRIST BLADE W/TAMPER PROOF SCREW

FAUCET, SINGLE PANTRY SPLASH MOUNT KL70-9000 SERIES



KL70-90x0-xE1 Series



Model No.	Spout	Flow Rate	Handles	Valves	A	B	C
KL70-9100-RE1	Rigid Gooseneck	2.2GPM	Standard Lever	Ceramic	3-1/2" (89mm)	7-1/16" (180mm)	9-5/16" (237mm)
KL70-9000-RE1				Compression			
KL70-9102-RE1				Ceramic	6" (152mm)	6-9/16" (167mm)	10-1/4" (261mm)
KL70-9002-RE1				Compression			
KL70-9101-RE1				Ceramic	8-1/2" (216mm)	7-5/16" (186mm)	13-1/8" (333mm)
KL70-9001-RE1				Compression			
KL70-9100-SE1	Adjustable Gooseneck	2.2GPM	Standard Lever	Ceramic	3-1/2" (89mm)	6-5/8" (168mm)	8-7/8" (225mm)
KL70-9000-SE1				Compression			
KL70-9102-SE1				Ceramic	6" (152mm)	8-5/8" (219mm)	12-5/16" (313mm)
KL70-9002-SE1				Compression			
KL70-9101-SE1				Ceramic	8" (203mm)	9-11/16" (246mm)	14-7/8" (378mm)
KL70-9001-SE1				Compression			

For additional technical information visit our website for specification sheets.

For service parts breakdown, refer to page 340.

COMPLIES WITH:
THE FEDERAL "REDUCTION OF LEAD
IN DRINKING WATER ACT" -
2011 - US SENATE BILL NO. S.3874
NSF/ANSI 61/9, ANNEX G



FAUCET, SINGLE PANTRY SPLASH MOUNT KL70-9000 SERIES



KL70-9x1x-DP1 Series



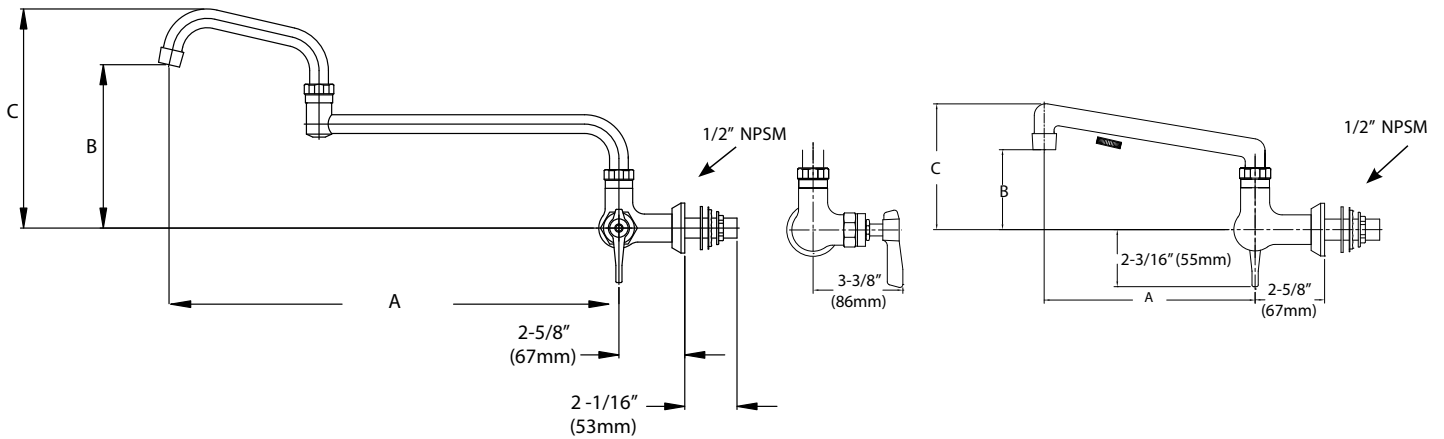
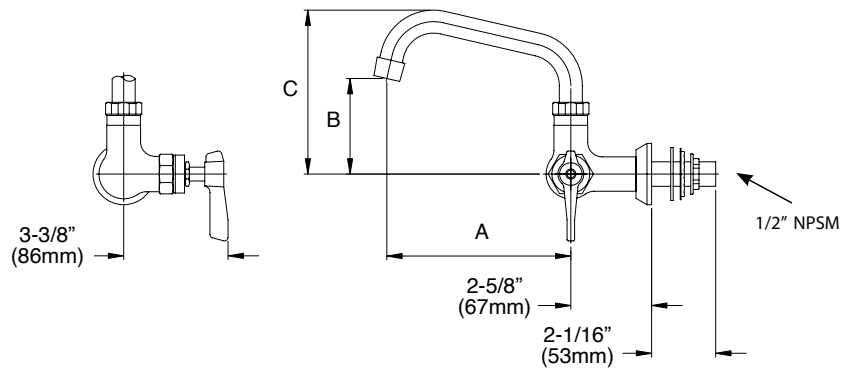
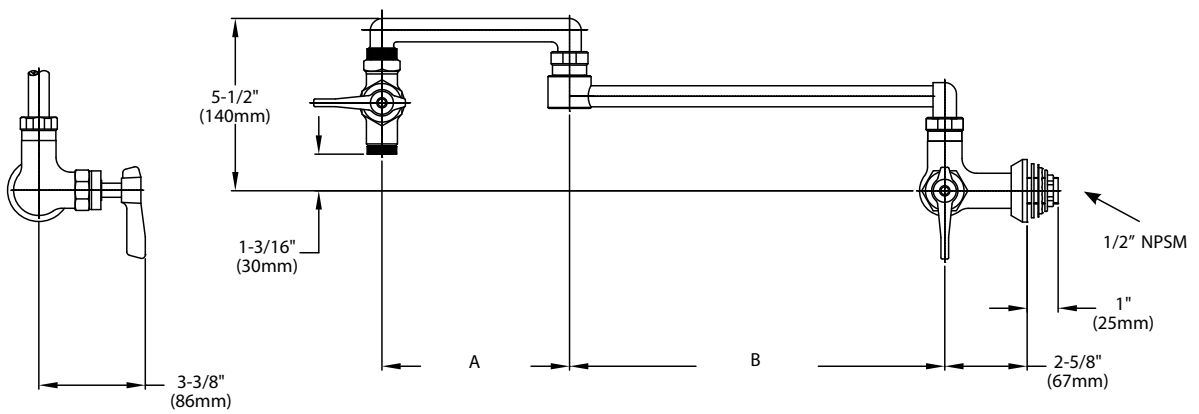
KL70-9xxx-SE1 Series



KL70-9xxx-SE1 Series



KL70-9xxx-TE1 Series



FAUCET, SINGLE PANTRY SPLASH MOUNT KL70-9000 SERIES

Model No.	Spout	Flow Rate	Handles	Valves	A	B	C			
KL70-9113-DP1	Double Jointed Stainless Steel Tubular Swing with Pot Filler Valve	2.2GPM	Standard Lever	Ceramic	13" (330mm)	1-13/16" (30mm)	5-1/2" (140mm)			
KL70-9013-DP1				Compression						
KL70-9118-DP1				Ceramic	6" (152mm)	12" (305mm)	—			
KL70-9018-DP1				Compression						
KL70-9106-SE1	Stainless Steel Tubular Swing	2.2GPM	Standard Lever	Ceramic	6" (152mm)	3-1/8" (79mm)	5-3/8" (137mm)			
KL70-9006-SE1				Compression						
KL70-9108-SE1				Ceramic	8" (203mm)	3-5/8" (92mm)	5-7/8" (149mm)			
KL70-9008-SE1				Compression						
KL70-9110-SE1				Ceramic	10" (254mm)	4-1/16" (103mm)	6-5/16" (160mm)			
KL70-9010-SE1				Compression						
KL70-9112-SE1				Ceramic	12" (305mm)	4-1/2" (114mm)	6-3/4" (171mm)			
KL70-9012-SE1				Compression						
KL70-9114-SE1				Ceramic	14" (356mm)	4-15/16" (125mm)	7-3/16" (183mm)			
KL70-9014-SE1				Compression						
KL70-9116-SE1				Ceramic	16" (406mm)	5-3/8" (137mm)	7-5/8" (194mm)			
KL70-9016-SE1				Compression						
KL70-9118-SE1				Double Jointed Stainless Steel Tubular Swing	2.2GPM	Standard Lever	Ceramic	18" (457mm)	6-9/16" (166mm)	8-3/4" (223mm)
KL70-9018-SE1							Compression			
KL70-9124-SE1	Ceramic	24" (609mm)	7-15/16" (201mm)				10-3/16" (258mm)			
KL70-9024-SE1	Compression									
KL70-9106-TE1	Cast Tubular Swing	2.2GPM	Standard Lever	Ceramic	6" (152mm)	1-13/16" (46mm)	3-3/8" (86mm)			
KL70-9006-TE1				Compression						
KL70-9108-TE1				Ceramic	8" (203mm)	3-1/16" (77mm)	4-3/4" (121mm)			
KL70-9008-TE1				Compression						

For additional technical information visit our website for specification sheets.

COMPLIES WITH:
THE FEDERAL "REDUCTION OF LEAD
IN DRINKING WATER ACT" –
2011 – US SENATE BILL NO. S.3874
NSF/ANSI 61/9, ANNEX G



For service parts breakdown, refer to page 341.

FAUCET, WOK RANGE SPLASH MOUNT KL76-9000 SERIES MODEL CONFIGURATOR

K X X X - X X X X - X X X

BODY

KL76 = CP POLISHED BRASS WOK RANGE SPLASH MOUNT FAUCET

INLET

9 = SINGLE 1/2" NPSM INTEGRAL CAST INLETS

VALVE

0 = 1/4 TURN STANDARD ENCORE® COMPRESSION VALVE W/BUILT IN CHECK

1 = 1/4 TURN CERAMIC VALVE W/ INLINE CHECK VALVE

SPOUT

06 = 6" (152mm) TUBULAR OR CAST SWING SPOUT

08 = 8" (203mm) TUBULAR SWING SPOUT

10 = 10" (254mm) TUBULAR SWING SPOUT

12 = 12" (305mm) TUBULAR SWING SPOUT

14 = 14" (356mm) TUBULAR SWING SPOUT

16 = 16" (406mm) TUBULAR SWING SPOUT

SPOUT STYLE

S = ADJUSTABLE SPOUT

T = CAST TUBULAR SPOUT (6" ONLY)

AERATOR

A = 0.5 GPM PCA SPRAY VANDAL RESISTANT

B = 1.5 GPM MAX LAMINAR VANDAL RESISTANT

C = 0.5 GPM PCA SPRAY

D = 1.5 GPM MAX LAMINAR

E = 2.2 GPM MAX AERATED STREAM

F = 2.2 GPM MAX AERATED STREAM VANDAL RESISTANT

H = 2.2 GPM MAX AERATED STREAM VANDAL & HOSE RESISTANT

J = .35 GPM PCA SPRAY

L = .35 GPM PCA SPRAY VANDAL RESISTANT

M = 1.0 GPM PCA LAMINAR FLOW

S = 6.0 GPM MAX WIDE ROSE SPRAY

HANDLE

1 = STANDARD ENCORE® LEVER

2 = CROSS

4 = 4" (102mm) WRIST BLADE

5 = STANDARD LEVER W/TAMPER PROOF SCREW

6 = 6" (152mm) WRIST BLADE

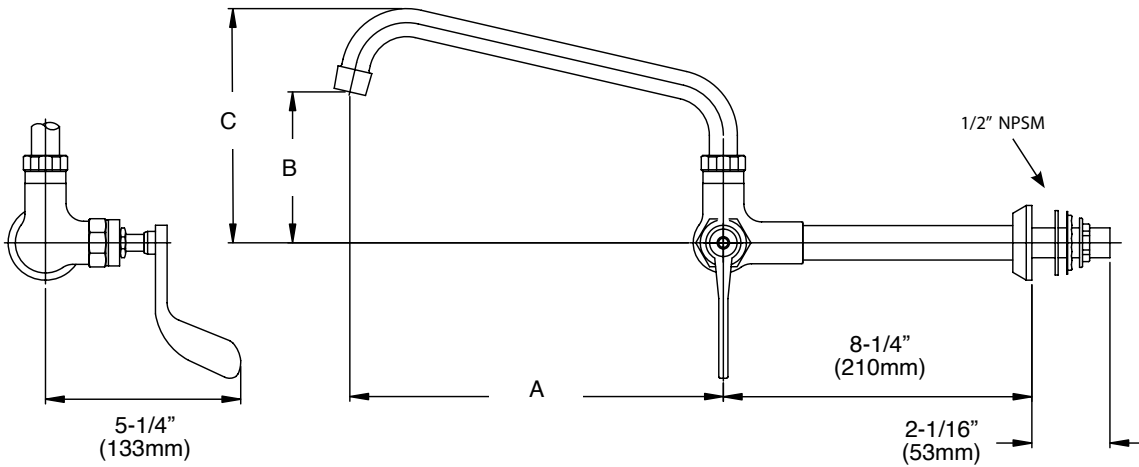
7 = 4" (102mm) WRIST BLADE W/ TAMPER PROOF SCREW

8 = 6" (152mm) WRIST BLADE W/TAMPER PROOF SCREW

FAUCET, WOK RANGE SPLASH MOUNT KL76-9000 SERIES



KL76-9xxx-SE4 Series



Model No.	Spout	Flow Rate	Handles	Valves	A	B	C
KL76-9106-SE4	Stainless Steel Tubular Swing	2.2GPM	4" Wrist Blade	Ceramic	6" (152mm)	3-1/8" (79mm)	5-3/8" (137mm)
KL76-9006-SE4				Compression	8" (203mm)	3-5/8" (92mm)	5-7/8" (149mm)
KL76-9108-SE4				Ceramic			
KL76-9008-SE4				Compression			
KL76-9110-SE4				Ceramic	10" (254mm)	4-1/16" (103mm)	6-5/16" (160mm)
KL76-9010-SE4				Compression	12" (305mm)	4-1/2" (114mm)	6-3/4" (171mm)
KL76-9112-SE4				Ceramic			
KL76-9012-SE4				Compression			
KL76-9114-SE4				Ceramic	14" (356mm)	4-15/16" (125mm)	7-3/16" (183mm)
KL76-9014-SE4				Compression	16" (406mm)	5-3/8" (137mm)	7-5/8" (194mm)
KL76-9116-SE4				Ceramic			
KL76-9016-SE4				Compression			

For additional technical information visit our website for specification sheets.

COMPLIES WITH:
THE FEDERAL "REDUCTION OF LEAD
IN DRINKING WATER ACT" -
2011 - US SENATE BILL NO. S.3874
NSF/ANSI 61/9, ANNEX G

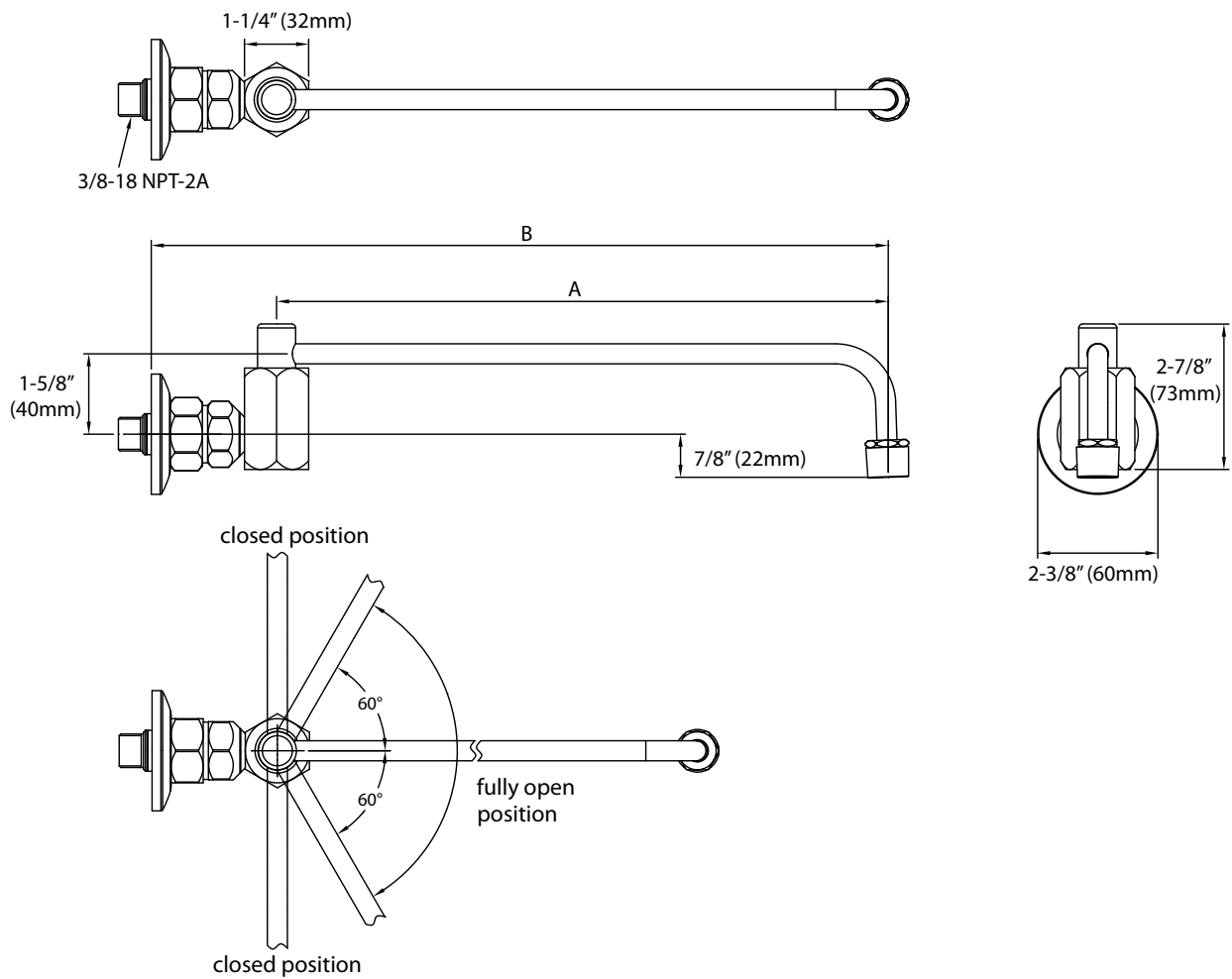


For service parts breakdown, refer to page 352.

FAUCET, WOK RANGE SPLASH MOUNT KL75-9000 SERIES



KL75-901x Series



Model No.	Spout	Flow Rate	Handles	Valves	A	B
KL75-9012	Straight	2.2GPM	None	Compression	12" (305mm)	14-1/2" (368mm)
KL75-9014					14" (356mm)	16-1/2" (418mm)

For additional technical information visit our website for specification sheets.

IAPMO



COMPLIES WITH:
NSF/ANSI 372-2010
NSF/ANSI 61
ASME/CSA



FAUCET, SPLASH MOUNT, 8" O.C. KL54-8000 SERIES MODEL CONFIGURATOR

K **x** **x** **x** - **x** **x** **x** **x** - **x** **x** **x**

BODY

KL54 = CP POLISHED BRASS SPLASH MOUNT FAUCET BODY WITH ADJUSTABLE SPOUT OUTLET

INLET

8 = 8" (203mm) CTR- 1/2" NPSM INTEGRAL CAST INLETS

1 = 8" (203mm) WITH 2-1/2" OFFSET SUPPLY INLETS WITH BUILT-IN STOPS

VALVE

0 = 1/4 TURN STANDARD ENCORE® COMPRESSION VALVE W/BUILT IN CHECK

1 = 1/4 TURN CERAMIC VALVE W/ INLINE CHECK VALVE

2 = SELF CLOSING ADJUSTABLE METERING VALVE

SPOUT

00 = 3-1/2" (89mm) GOOSENECK

01 = 8-1/2" (216mm) GOOSENECK

02 = 6" (152mm) GOOSENECK

06 = 6" (152mm) TUBULAR OR CAST SWING SPOUT

08 = 8" (203mm) TUBULAR SWING SPOUT

10 = 10" (254mm) TUBULAR SWING SPOUT

12 = 12" (305mm) TUBULAR SWING SPOUT

14 = 14" (356mm) TUBULAR SWING SPOUT

16 = 16" (406mm) TUBULAR SWING SPOUT

18A = 18" (457mm) TUBULAR SWING SPOUT

18 = 18" (457mm) DOUBLE JOINTED SWING SPOUT

24 = 24" (609mm) DOUBLE JOINTED SWING SPOUT

SPOUT STYLE

S = ADJUSTABLE SPOUT

R = RIGID TUBULAR SPOUT

T = CAST TUBULAR SPOUT (6" ONLY)

AERATOR

A = 0.5 GPM PCA SPRAY VANDAL RESISTANT

B = 1.5 GPM MAX LAMINAR VANDAL RESISTANT

C = 0.5 GPM PCA SPRAY

D = 1.5 GPM MAX LAMINAR

E = 2.2 GPM MAX AERATED STREAM

F = 2.2 GPM MAX AERATED STREAM VANDAL RESISTANT

G = .35 GPM PCA SPRAY (MALE)

H = 2.2 GPM MAX AERATED STREAM VANDAL & HOSE RESISTANT

J = .35 GPM PCA SPRAY

K = .35 GPM PCA SPRAY (MALE) VANDAL RESISTANT

L = .35 GPM PCA SPRAY VANDAL RESISTANT

M = 1.0 GPM PCA LAMINAR FLOW

S = 6.0 GPM MAX WIDE ROSE SPRAY

HANDLE

1 = STANDARD ENCORE® LEVER

2 = CROSS

4 = 4" (102mm) WRIST BLADE

5 = STANDARD LEVER W/TAMPER PROOF SCREW

6 = 6" (152mm) WRIST BLADE

7 = 4" (102mm) WRIST BLADE W/ TAMPER PROOF SCREW

8 = 6" (152mm) WRIST BLADE W/TAMPER PROOF SCREW

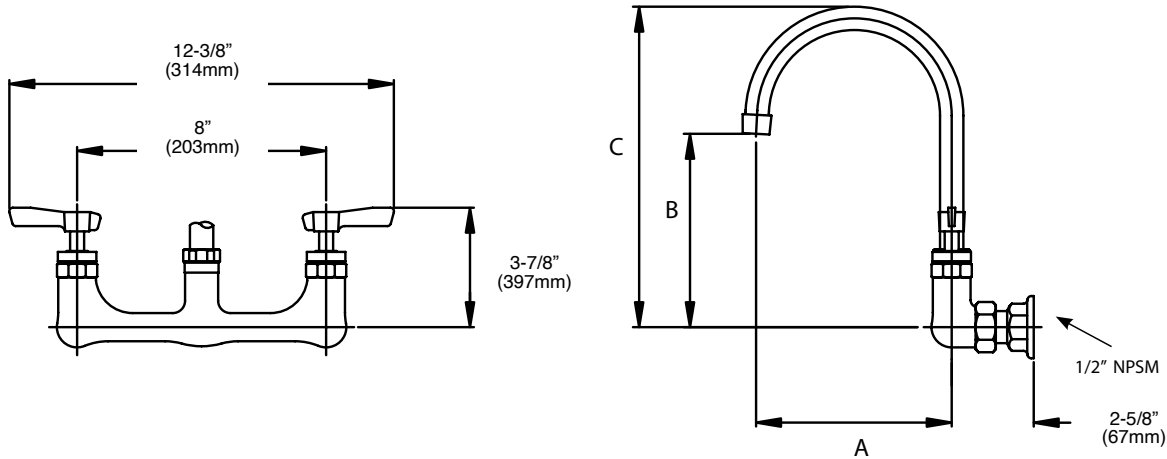
**FAUCET, SPLASH MOUNT, 8" O.C.
KL54-8000 SERIES**



KL54-8x0x-xE4 Series



KL54-8xxx-xE1 Series



Model No.	Spout	Flow Rate	Handles	Valves	A	B	C
KL54-8100-RE1	Rigid Gooseneck	2.2GPM	Standard Lever	Ceramic	3-1/2" (89mm)	6-3/4" (171mm)	9" (229mm)
KL54-8000-RE1				Compression			
KL54-8102-RE1				Ceramic	6" (152mm)	8-3/4" (222mm)	12-7/16" (316mm)
KL54-8002-RE1				Compression			
KL54-8101-RE1				Ceramic	8-1/2" (216mm)	7" (178mm)	12-3/4" (324mm)
KL54-8001-RE1				Compression			
KL54-8100-SE1	Adjustable Gooseneck	2.2GPM	Standard Lever	Ceramic	3-1/2" (89mm)	6-3/4" (171mm)	9" (229mm)
KL54-8000-SE1				Compression			
KL54-8102-SE1				Ceramic	6" (152mm)	8-3/4" (222mm)	12-7/16" (316mm)
KL54-8002-SE1				Compression			
KL54-8101-SE1				Ceramic	8" (203mm)	9-1/2" (241mm)	15-1/4" (387mm)
KL54-8001-SE1				Compression			

For additional technical information visit our website for specification sheets.

COMPLIES WITH:
THE FEDERAL "REDUCTION OF LEAD
IN DRINKING WATER ACT" -
2011 - US SENATE BILL NO. S.3874
NSF/ANSI 61/9, ANNEX G



For service parts breakdown, refer to page 308.

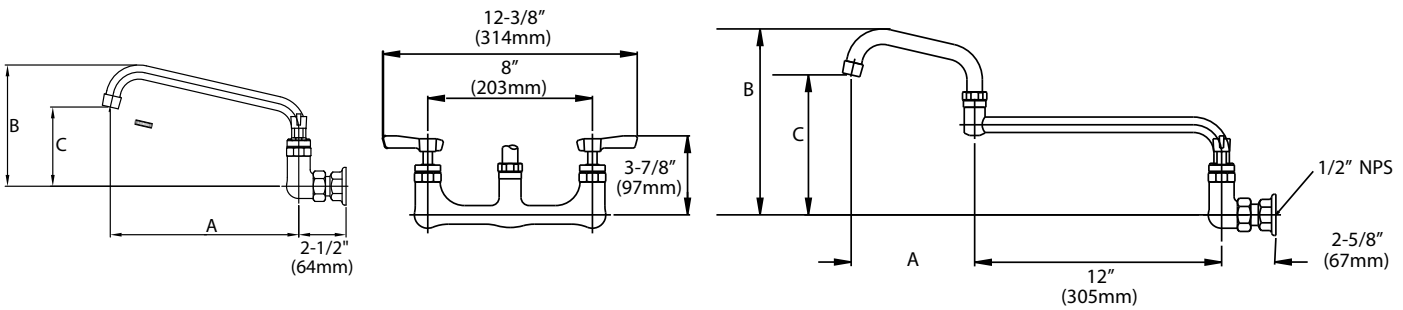
FAUCET, SPLASH MOUNT, 8" O.C. KL54-8000 SERIES



KL54-8xxx-SE1 Series



KL54-8xxx-SE1 Series



Model No.	Spout	Flow Rate	Handles	Valves	A	B	C			
KL54-8106-SE1	Stainless Steel Tubular Swing	2.2GPM	Standard Lever	Ceramic	6" (152mm)	5-9/16" (141mm)	3-5/16" (84mm)			
KL54-8006-SE1				Compression	8" (203mm)	6-1/16" (154mm)	3-13/16" (96mm)			
KL54-8108-SE1				Ceramic						
KL54-8008-SE1				Compression	10" (254mm)	6-1/2" (165mm)	4-1/4" (108mm)			
KL54-8110-SE1				Ceramic						
KL54-8010-SE1				Compression	12" (305mm)	6-15/16" (176mm)	4-11/16" (120mm)			
KL54-8112-SE1				Ceramic						
KL54-8012-SE1				Compression	14" (356mm)	7-7/16" (187mm)	5-3/16" (131mm)			
KL54-8114-SE1				Ceramic						
KL54-8014-SE1				Compression	16" (406mm)	7-7/8" (200mm)	5-5/8" (143mm)			
KL54-8116-SE1				Ceramic						
KL54-8016-SE1				Compression	18" (457mm)	8-1/4" (210mm)	6-1/16" (154mm)			
KL54-8118ASE1				Ceramic						
KL54-8018ASE1				Compression	Double Jointed Stainless Steel Tubular Swing	Standard Lever	Ceramic	6" (152mm)	9-1/16" (229mm)	6-13/16" (173mm)
KL54-8118-SE1				Compression			12" (305mm)	6-15/16" (176mm)	4-11/16" (120mm)	
KL54-8024-SE1				Ceramic						
KL54-8124-SE1	Compression									

For additional technical information visit our website for specification sheets.

COMPLIES WITH:
THE FEDERAL "REDUCTION OF LEAD
IN DRINKING WATER ACT" –
2011 – US SENATE BILL NO. S.3874
NSF/ANSI 61/9, ANNEX G

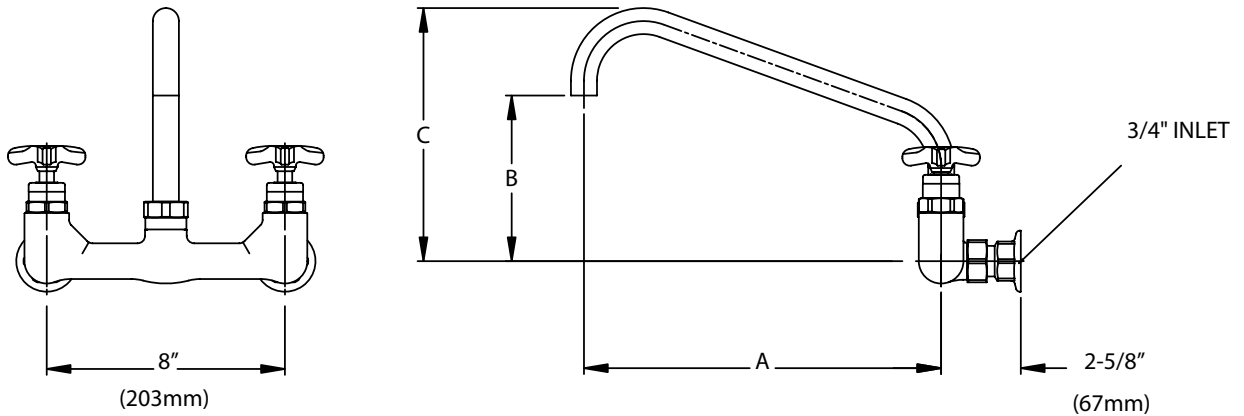


For service parts breakdown, refer to page 309.

FAUCET, 3/4", SPLASH MOUNT, POT SINK, 8" O.C. KL34-8000 SERIES



KL34-801x Series



Model No.	Spout	Supply Pressure	Flow Rate	Handles	Valves	A	B	C
KL34-8010	Straight Swing	50PSI 60PSI	27GPM 30GPM	Cross	Compression	10" (254mm)	4-7/8" (124mm)	7-3/4" (197mm)
KL34-8012						12" (305mm)	5-5/8" (143mm)	8-1/2" (216mm)
KL34-8014						14" (355mm)	6-1/4" (158mm)	9-1/4" (235mm)
KL34-8018						18" (457mm)	7-7/8" (200mm)	10-7/8" (276mm)

For additional technical information visit our website for specification sheets.

For service parts breakdown, refer to page 287.

COMPLIES WITH:
THE FEDERAL "REDUCTION OF LEAD
IN DRINKING WATER ACT" -
2011 - US SENATE BILL NO. S.3874
NSF/ANSI 61/9, ANNEX G



FAUCET, SPLASH MOUNT WORKBOARD, 4" O.C. KL45-4000 SERIES MODEL CONFIGURATOR

K X X X - X X X X - X X X

BODY

KL45 = CP POLISHED BRASS CENTERSET FAUCET SPLASH MOUNT BODY WITH ADJUSTABLE SPOUT OUTLET

INLET

4 = 4" (102mm) CTR- 1/2" NPSM INTEGRAL CAST INLETS

VALVE

0 = 1/4 TURN STANDARD ENCORE® COMPRESSION VALVE W/BUILT IN CHECK

1 = 1/4 TURN CERAMIC VALVE W/ INLINE CHECK VALVE

SPOUT

00 = 3-1/2" (89mm) GOOSENECK

01 = 8-1/2" (216mm) GOOSENECK

02 = 6" (152mm) GOOSENECK

06 = 6" (152mm) TUBULAR OR CAST SWING SPOUT

08 = 8" (203mm) TUBULAR SWING SPOUT

10 = 10" (254mm) TUBULAR SWING SPOUT

12 = 12" (305mm) TUBULAR SWING SPOUT

14 = 14" (356mm) TUBULAR SWING SPOUT

16 = 16" (406mm) TUBULAR SWING SPOUT

18A = 18" (457mm) TUBULAR SWING SPOUT

18 = 18" (457mm) DOUBLE JOINTED SWING SPOUT

SPOUT STYLE

S = ADJUSTABLE SPOUT

R = RIGID TUBULAR SPOUT

T = CAST TUBULAR SPOUT (6" ONLY)

AERATOR

A = 0.5 GPM PCA SPRAY VANDAL RESISTANT

B = 1.5 GPM MAX LAMINAR VANDAL RESISTANT

C = 0.5 GPM PCA SPRAY

D = 1.5 GPM MAX LAMINAR

E = 2.2 GPM MAX AERATED STREAM

F = 2.2 GPM MAX AERATED STREAM VANDAL RESISTANT

G = .35 GPM PCA SPRAY (MALE)

H = 2.2 GPM MAX AERATED STREAM VANDAL & HOSE RESISTANT

J = .35 GPM PCA SPRAY

K = .35 GPM PCA SPRAY (MALE) VANDAL RESISTANT

L = .35 GPM PCA SPRAY VANDAL RESISTANT

M = 1.0 GPM PCA LAMINAR FLOW

S = 6.0 GPM MAX WIDE ROSE SPRAY

HANDLE

1 = STANDARD ENCORE® LEVER

2 = CROSS

4 = 4" (102mm) WRIST BLADE

5 = STANDARD LEVER W/TAMPER PROOF SCREW

6 = 6" (152mm) WRIST BLADE

7 = 4" (102mm) WRIST BLADE W/ TAMPER PROOF SCREW

8 = 6" (152mm) WRIST BLADE W/TAMPER PROOF SCREW

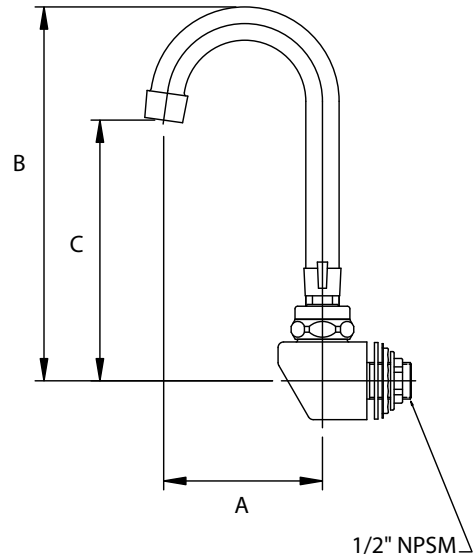
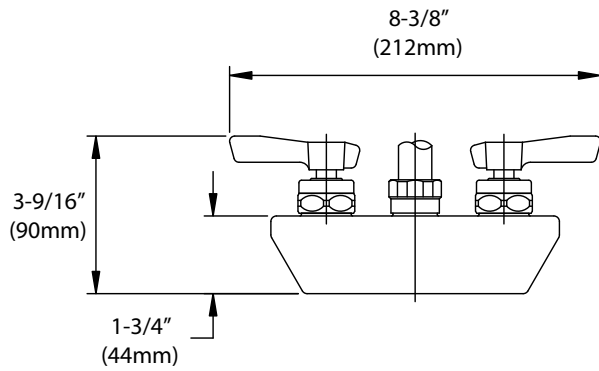
FAUCET, SPLASH MOUNT WORKBOARD, 4" O.C. KL45-4000 SERIES



KL45-4x0x-xE1 Series



KL45-4x0x-xE4 Series



Model No.	Spout	Flow Rate	Handles	Valves	A	B	C
KL45-4100-RE1	Rigid Gooseneck	2.2GPM	Standard Lever	Ceramic	3-1/2" (89mm)	8-3/4" (222mm)	5-3/8" (162mm)
KL45-4000-RE1				Compression			
KL45-4102-RE1				Ceramic	6" (152mm)	9-3/4" (248mm)	6" (152mm)
KL45-4002-RE1				Compression			
KL45-4101-RE1				Ceramic	8-1/2" (216mm)	12-3/4" (324mm)	7" (178mm)
KL45-4001-RE1				Compression			
KL45-4100-SE1	Adjustable Gooseneck	2.2GPM	Standard Lever	Ceramic	3-1/2" (89mm)	8-3/16" (208mm)	5-15/16" (151mm)
KL45-4000-SE1				Compression			
KL45-4102-SE1				Ceramic	6" (152mm)	9-3/4" (248mm)	6" (152mm)
KL45-4002-SE1				Compression			
KL45-4101-SE1				Ceramic	8" (203mm)	15-1/8" (384mm)	9-1/2" (241mm)
KL45-4001-SE1				Compression			

For additional technical information visit our website for specification sheets.

COMPLIES WITH:
THE FEDERAL "REDUCTION OF LEAD
IN DRINKING WATER ACT" -
2011 - US SENATE BILL NO. S.3874
NSF/ANSI 61/9, ANNEX G



For service parts breakdown, refer to page 293.

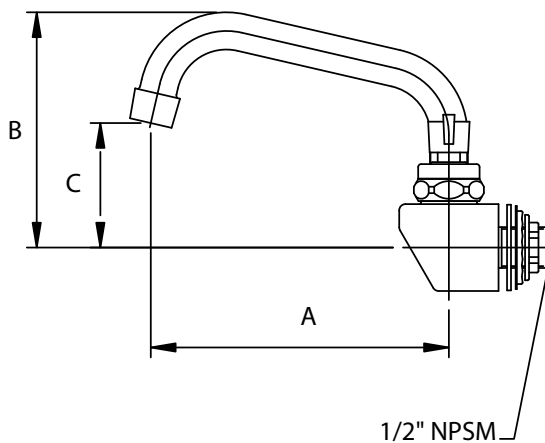
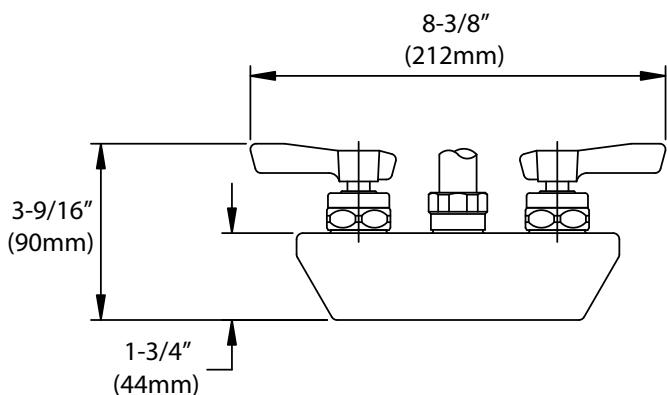
FAUCET, SPLASH MOUNT WORKBOARD, 4" O.C. KL45-4000 SERIES



KL45-4xxx-SE1 Series



KL45-4xxx-SE4 Series



Model No.	Spout	Flow Rate	Handles	Valves	A	B	C
KL45-4106-SE1	Stainless Steel Tubular Swing	2.2GPM	Standard Lever	Ceramic	6" (152mm)	4-3/4" (121mm)	2-1/2" (64mm)
KL45-4006-SE1				Compression			
KL45-4108-SE1				Ceramic	8" (203mm)	5-1/4" (133mm)	3" (76mm)
KL45-4008-SE1				Compression			
KL45-4110-SE1				Ceramic	10" (254mm)	5-11/16" (144mm)	3-7/16" (87mm)
KL45-4010-SE1				Compression			
KL45-4112-SE1				Ceramic	12" (305mm)	6-1/8" (156mm)	3-7/8" (99mm)
KL45-4012-SE1				Compression			
KL45-4114-SE1				Ceramic	14" (356mm)	8-3/8" (213mm)	6-1/8" (156mm)
KL45-4014-SE1				Compression			
KL45-4116-SE1				Ceramic	16" (406mm)	8-13/16" (224mm)	6-9/16" (167mm)
KL45-4016-SE1				Compression			
KL45-4118ASE1				Ceramic	18" (457mm)	9-5/16" (236mm)	7-1/16" (179mm)
KL45-4018ASE1				Compression			

For additional technical information visit our website for specification sheets.

COMPLIES WITH:
THE FEDERAL "REDUCTION OF LEAD
IN DRINKING WATER ACT" -
2011 - US SENATE BILL NO. S.3874
NSF/ANSI 61/9, ANNEX G



For service parts breakdown, refer to page 294.

FAUCET, SPLASH MOUNT WORKBOARD, 8" O.C. KL45-8000 SERIES MODEL CONFIGURATOR

K X X X - X X X X - X X X

BODY

KL45 = CP POLISHED BRASS CENTERSET FAUCET SPLASH MOUNT BODY WITH ADJUSTABLE SPOUT OUTLET

INLET

8 = 8" (203mm) CTR- 1/2" NPSM INTEGRAL CAST INLETS

VALVE

0 = 1/4 TURN STANDARD ENCORE® COMPRESSION VALVE W/BUILT IN CHECK

1 = 1/4 TURN CERAMIC VALVE W/ INLINE CHECK VALVE

SPOUT

00 = 3-1/2" (89mm) GOOSENECK

01 = 8-1/2" (216mm) GOOSENECK

02 = 6" (152mm) GOOSENECK

06 = 6" (152mm) TUBULAR OR CAST SWING SPOUT

08 = 8" (203mm) TUBULAR SWING SPOUT

10 = 10" (254mm) TUBULAR SWING SPOUT

12 = 12" (305mm) TUBULAR SWING SPOUT

14 = 14" (356mm) TUBULAR SWING SPOUT

16 = 16" (406mm) TUBULAR SWING SPOUT

18A = 18" (457mm) TUBULAR SWING SPOUT

18 = 18" (457mm) DOUBLE JOINTED SWING SPOUT

SPOUT STYLE

S = ADJUSTABLE SPOUT

R = RIGID TUBULAR SPOUT

T = CAST TUBULAR SPOUT (6" ONLY)

AERATOR

A = 0.5 GPM PCA SPRAY VANDAL RESISTANT

B = 1.5 GPM MAX LAMINAR VANDAL RESISTANT

C = 0.5 GPM PCA SPRAY

D = 1.5 GPM MAX LAMINAR

E = 2.2 GPM MAX AERATED STREAM

F = 2.2 GPM MAX AERATED STREAM VANDAL RESISTANT

G = .35 GPM PCA SPRAY (MALE)

H = 2.2 GPM MAX AERATED STREAM VANDAL & HOSE RESISTANT

J = .35 GPM PCA SPRAY

K = .35 GPM PCA SPRAY (MALE) VANDAL RESISTANT

L = .35 GPM PCA SPRAY VANDAL RESISTANT

M = 1.0 GPM PCA LAMINAR FLOW

S = 6.0 GPM MAX WIDE ROSE SPRAY

HANDLE

1 = STANDARD ENCORE® LEVER

2 = CROSS

4 = 4" (102mm) WRIST BLADE

5 = STANDARD LEVER W/TAMPER PROOF SCREW

6 = 6" (152mm) WRIST BLADE

7 = 4" (102mm) WRIST BLADE W/ TAMPER PROOF SCREW

8 = 6" (152mm) WRIST BLADE W/TAMPER PROOF SCREW

FAUCET, SPLASH MOUNT WORKBOARD, 8" O.C. KL45-8000 SERIES



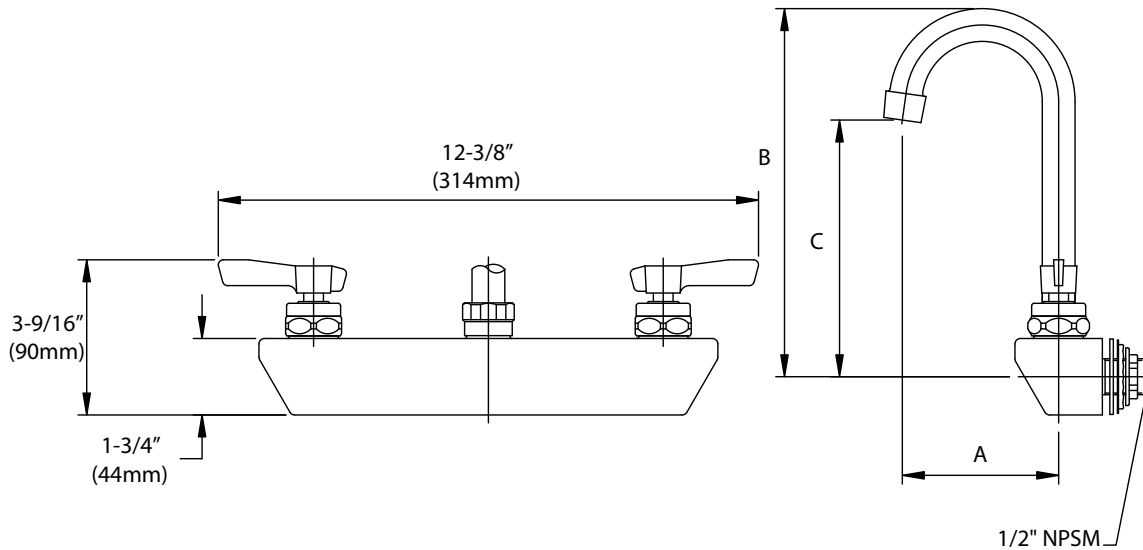
KL45-8x0x-xE1 Series



KL45-8x0x-xE2 Series



KL45-8x0x-xE4 Series



Model No.	Spout	Flow Rate	Handles	Valves	A	B	C
KL45-8100-RE1	Rigid Gooseneck	2.2GPM	Standard Lever	Ceramic	3-1/2" (89mm)	8-5/16" (211mm)	6-1/16" (154mm)
KL45-8000-RE1				Compression			
KL45-8102-RE1				Ceramic	6" (152mm)	9-3/16" (233mm)	5-1/2" (140mm)
KL45-8002-RE1				Compression			
KL45-8101-RE1				Ceramic	8-1/2" (216mm)	12-1/16" (306mm)	6-5/16" (160mm)
KL45-8001-RE1				Compression			
KL45-8100-SE1	Adjustable Gooseneck	2.2GPM	Standard Lever	Ceramic	3-1/2" (89mm)	8-5/16" (211mm)	6-1/16" (154mm)
KL45-8000-SE1				Compression			
KL45-8102-SE1				Ceramic	6" (152mm)	9-3/16" (233mm)	5-1/2" (140mm)
KL45-8002-SE1				Compression			
KL45-8101-SE1				Ceramic	8" (203mm)	14-9/16" (370mm)	8-13/16" (224mm)
KL45-8001-SE1				Compression			

For additional technical information visit our website for specification sheets.

COMPLIES WITH:
THE FEDERAL "REDUCTION OF LEAD
IN DRINKING WATER ACT" -
2011 - US SENATE BILL NO. S.3874
NSF/ANSI 61/9, ANNEX G



For service parts breakdown, refer to page 295.

FAUCET, SPLASH MOUNT WORKBOARD, 8" O.C. KL45-8000 SERIES



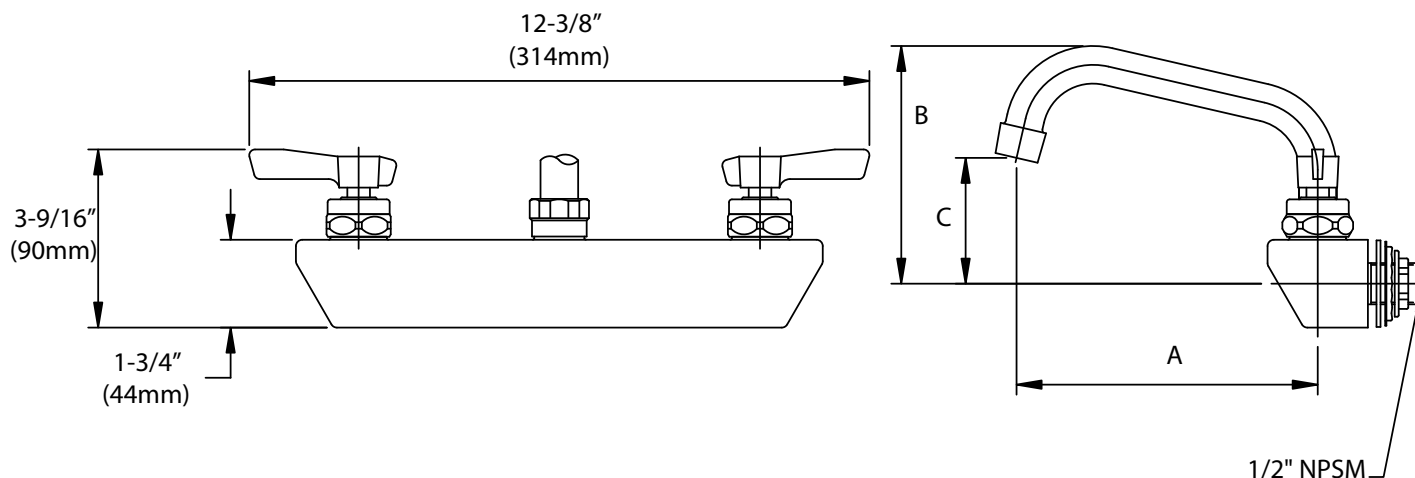
KL45-8xxx-xE1 Series



KL45-8xxx-xE2 Series



KL45-8xxx-xE4 Series



Model No.	Spout	Flow Rate	Handles	Valves	A	B	C
KL45-8106-SE1	Stainless Steel Tubular Swing	2.2GPM	Standard Lever	Ceramic	6" (152mm)	4-3/4" (121mm)	2-1/2" (64mm)
KL45-8006-SE1				Compression			
KL45-8108-SE1				Ceramic	8" (203mm)	5-1/4" (133mm)	3" (76mm)
KL45-8008-SE1				Compression			
KL45-8110-SE1				Ceramic	10" (254mm)	5-11/16" (144mm)	3-7/16" (87mm)
KL45-8010-SE1				Compression			
KL45-8112-SE1				Ceramic	12" (305mm)	6-1/8" (156mm)	3-7/8" (99mm)
KL45-8012-SE1				Compression			
KL45-8114-SE1				Ceramic	14" (356mm)	8-3/8" (213mm)	6-1/8" (156mm)
KL45-8014-SE1				Compression			
KL45-8116-SE1				Ceramic	16" (406mm)	8-13/16" (224mm)	6-9/16" (167mm)
KL45-8016-SE1				Compression			
KL45-8118ASE1				Ceramic	18" (457mm)	9-5/16" (236mm)	7-1/16" (179mm)
KL45-8018ASE1				Compression			

For additional technical information visit our website for specification sheets.

For service parts breakdown, refer to page 296.

COMPLIES WITH:
THE FEDERAL "REDUCTION OF LEAD
IN DRINKING WATER ACT" -
2011 - US SENATE BILL NO. S.3874
NSF/ANSI 61/9, ANNEX G





Intelli-Flo

Encore sensor activated hands-free electronic faucets and stainless steel handsinks with built-in hands-free electronic faucet are designed to minimize water consumption and reduce potential for cross contamination.



The KE19/KE21 Series faucets are constructed of polished chrome-plated brass with a total lead content of less than 0.25% by weighted average and include a PCA spray aerator and all of the necessary faucet mounting hardware.

The KE25/KE28 Series wall mount handsinks are made of Type 304 stainless steel one-piece welded construction. The sink bowl accepts 1-1/2" NPS stainless steel mini-basket drain (included). It can be easily wall mounted by using a 'Z' clip wall bracket (provided) and shall have a recessed countertop to create a 'no-drip' or 'marine' edge. The faucet spout is constructed of stainless steel with a total lead content of less than 0.25% by weighted average.

All Series sensor assemblies include 6V DC bi-stable solenoid, powered by four (4) 1.5V AA batteries (included). AC models include 9V 800 mA UL listed adapter, US Plug. Valve components (battery compartment, sensor connector, and control module (PCB)) are housed in a sealed, non-metallic box for easy access and quick installation. All faucets are furnished with an armored vandal-resistant DC power cable, (2) 3/8" braided stainless steel supply lines.

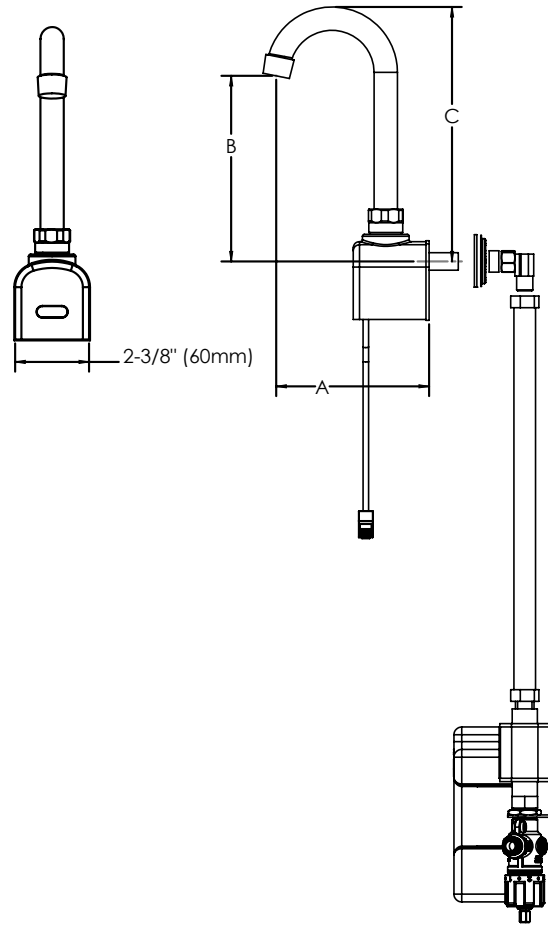
Commercial Quality Features

- 500,000 cycle battery life (250,000 hand washes)
- Energy-efficient "latching" (bi-stable) solenoid only uses power to open or close
- Auto-ranging feature automatically adjusts sensing range

Hands-Free Operation

- Infra-red sensor activated
- Self-adapting sensor distance adjustment
 - 1 second shut-off delay
- 20 second adjustable automatic time-out feature (complies with FDA Food Code)

INTELLI-FLO™ FAUCET, ELECTRIC, SPLASH MOUNT, WITH THERMOSTATIC MIXING VALVE KE19-1000 SERIES



Model No.	Spout	Power	Aerator	A	B	C
KE19-1000-SC1	Adjustable Gooseneck	Battery	.5GPM PCA Spray	4-15/16" (125mm)	5-15/16" (151mm)	8-3/16" (208mm)
KE19-1000-SD1			1.5GPM PCA Spray	4-15/16" (125mm)	5-15/16" (151mm)	8-3/16" (208mm)
KE19-1002-SC1			.5GPM PCA Spray	7-11/16" (195mm)	7-11/16" (195mm)	9-3/16" (233mm)
KE19-1100-SD1		AC/DC*	1.5GPM PCA Spray	4-15/16" (125mm)	5-15/16" (151mm)	8-3/16" (208mm)
KE19-1102-SD1			1.5GPM PCA Spray	7-11/16" (195mm)	5-7/16" (138mm)	9-3/16" (233mm)

*Includes 9V 800 mA UL listed adapter, US Plug.

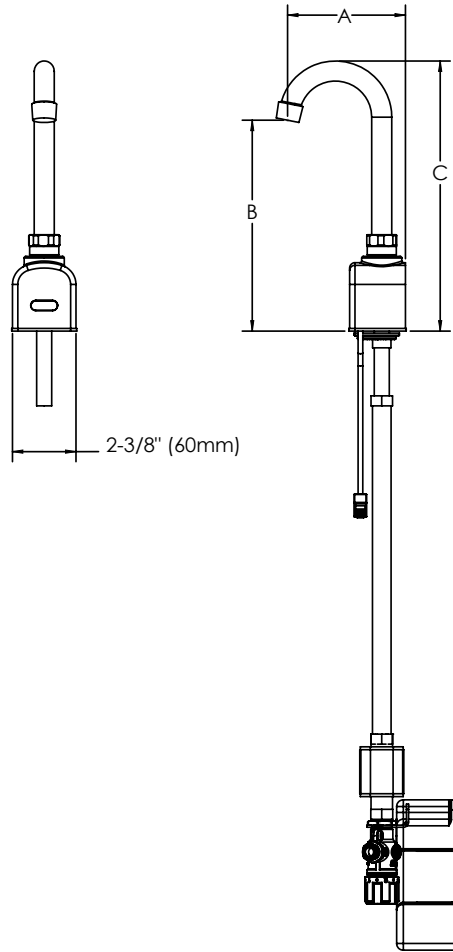
(4) AA batteries included.

For additional technical information visit our website for specification sheets.

COMPLIES WITH:
THE FEDERAL "REDUCTION OF LEAD
IN DRINKING WATER ACT" -
2011 - US SENATE BILL NO. S.3874
NSF/ANSI 61/9, ANNEX G



INTELLI-FLO™ FAUCET, ELECTRIC, DECK MOUNT, WITH THERMOSTATIC MIXING VALVE KE19-4000 SERIES



Model No.	Spout	Power	Aerator	A	B	C
KE19-4000-SC1	Adjustable Gooseneck	Battery	.5GPM PCA Spray	4-15/16" (125mm)	5-15/16" (151mm)	8-3/16" (208mm)
KE19-4000-SD1			1.5GPM PCA Spray	4-15/16" (125mm)	5-15/16" (151mm)	8-3/16" (208mm)
KE19-4002-SC1			.5GPM PCA Spray	7-11/16" (195mm)	7-11/16" (195mm)	9-3/16" (233mm)
KE19-4100-SD1		AC/DC*	1.5GPM PCA Spray	4-15/16" (125mm)	5-15/16" (151mm)	8-3/16" (208mm)
KE19-4102-SD1			1.5GPM PCA Spray	7-11/16" (195mm)	5-7/16" (138mm)	9-3/16" (233mm)

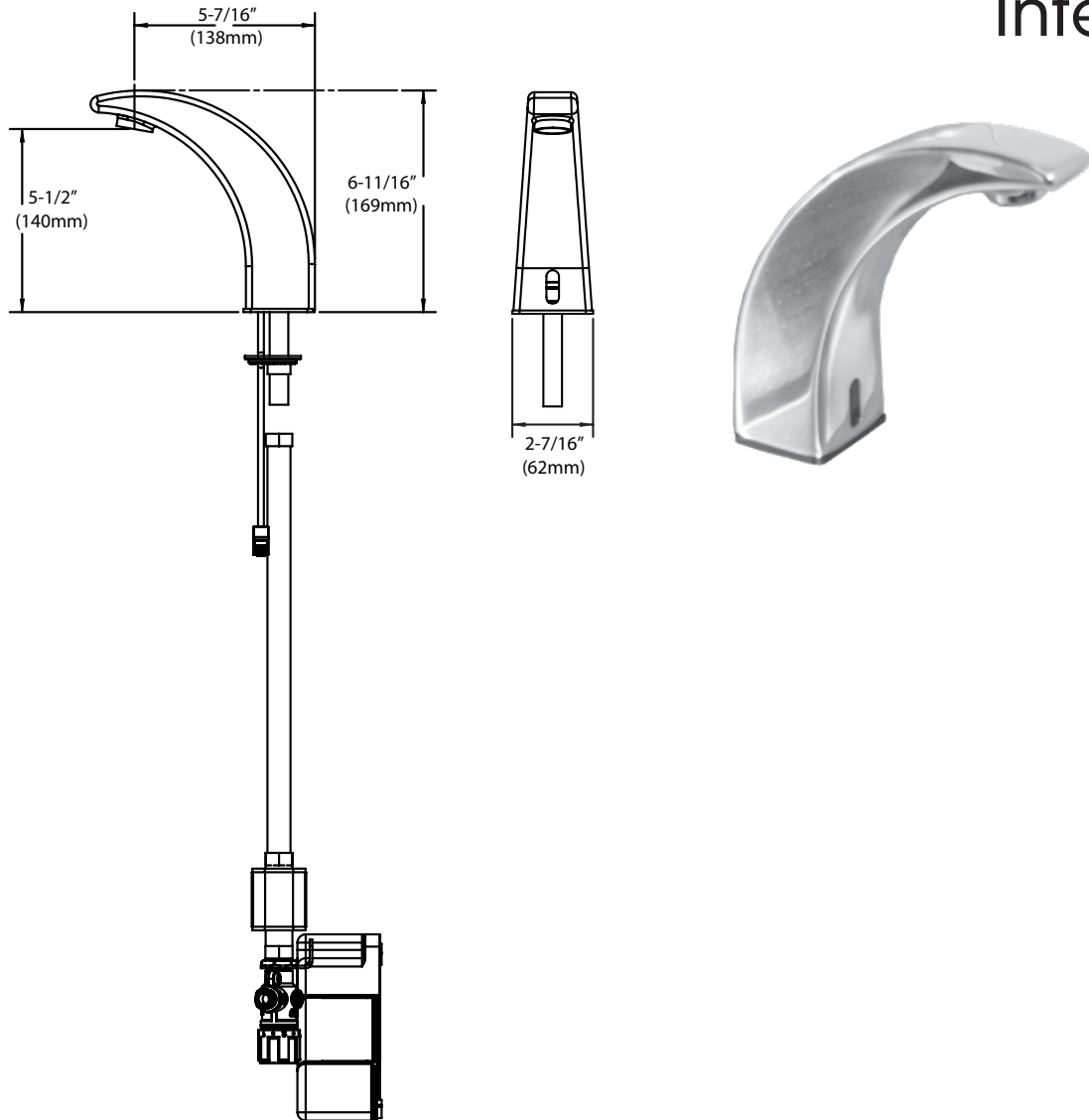
*Includes 9V 800 mA UL listed adapter, US Plug.
(4) AA batteries included.

For additional technical information visit our website for specification sheets.

COMPLIES WITH:
THE FEDERAL "REDUCTION OF LEAD
IN DRINKING WATER ACT" –
2011 – US SENATE BILL NO. S.3874
NSF/ANSI 61/9, ANNEX G



INTELLI-FLO™ FAUCET, ELECTRIC, DECK MOUNT RESTROOM, WITH THERMOSTATIC MIXING VALVE KE21 SERIES



Model No.	Power	Aerator	Deck Plate
KE21-7005-CA1	Battery	.5GPM PCA Spray	None
KE21-7005-CB1		1.5GPM PCA Spray	
KE21-7105-CA1	AC/DC*	.5GPM PCA Spray	4" Long
KE21-8105-CB1		1.5GPM PCA Spray	

*Includes 9V 800 mA UL listed adapter, US Plug.

(4) AA batteries included.

For additional technical information visit our website for specification sheets.

COMPLIES WITH:
THE FEDERAL "REDUCTION OF LEAD
IN DRINKING WATER ACT" –
2011 – US SENATE BILL NO. S.3874
NSF/ANSI 61/9, ANNEX G



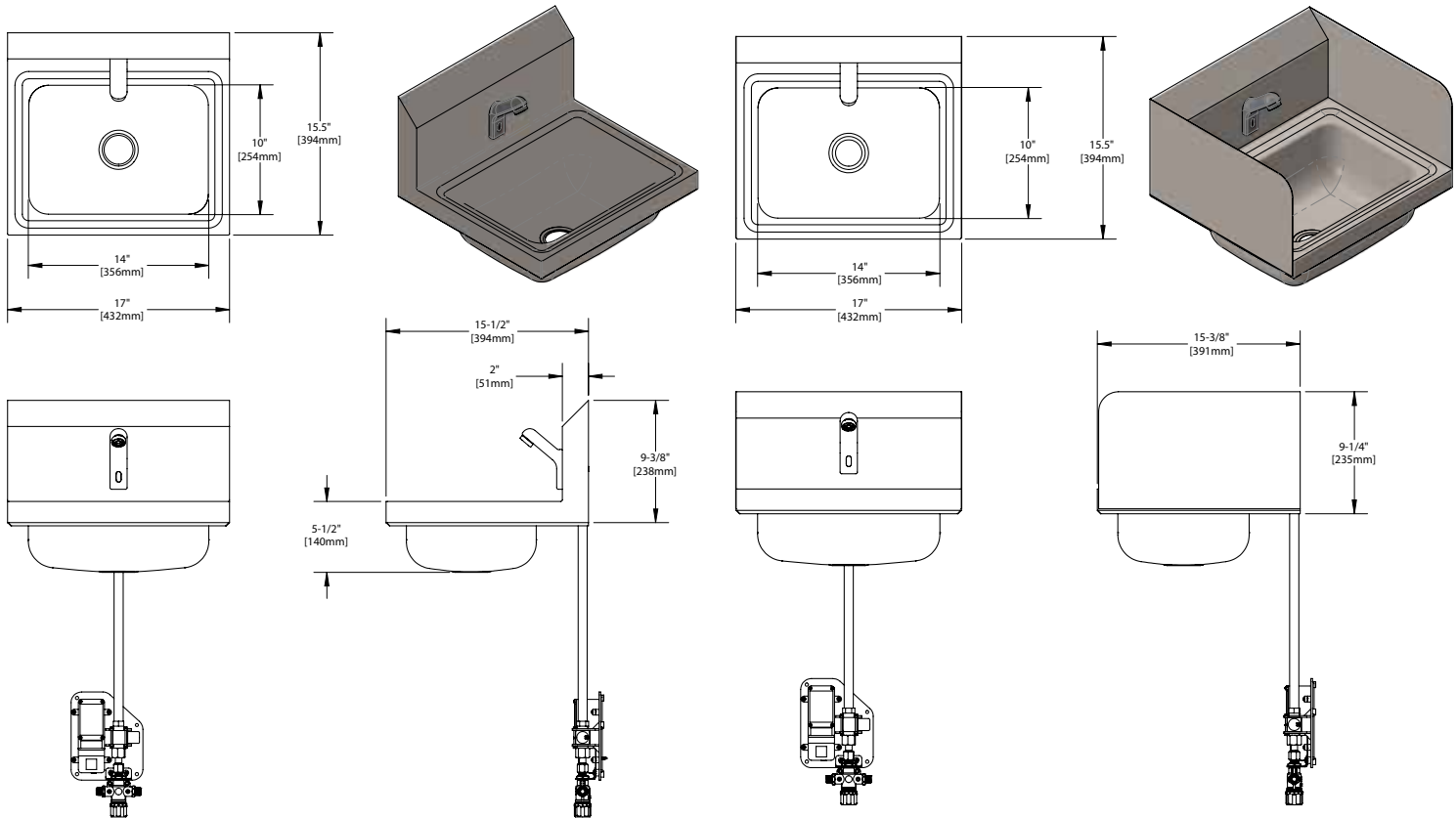
INTELLI-FLO™ ELECTRONIC HANDSINK, INTEGRAL OUTLET SINK KE25, KE28 SERIES



KE25 Series



KE28 Series



Model No.	Power	Aerator	Side Splash
KE25-B031-CA1	Battery	.5GPM PCA Spray, Vandal Resistant	Without
KE25-B131-CA1	AC/DC*		
KE25-B031-CB1	Battery	1.5GPM Laminar Flow, Antimicrobial and Vandal Resistant	With
KE25-B131-CB1	AC/DC*		
KE28-B031-CA1	Battery	.5GPM PCA Spray, Vandal Resistant	With
KE28-B131-CA1	AC/DC*		
KE28-B031-CB1	Battery	1.5GPM Laminar Flow, Antimicrobial and Vandal Resistant	With
KE28-B131-CB1	AC/DC*		

*Includes 9V 800 mA UL listed adapter, US plug.

For additional technical information visit our website for specification sheets.

COMPLIES WITH:
THE FEDERAL "REDUCTION OF LEAD
IN DRINKING WATER ACT" -
2011 - US SENATE BILL NO. S.3874
NSF/ANSI 61/9, ANNEX G



FAUCET, SPLASH MOUNT SERVICE SINK K77-8000/KC77-8000 SERIES



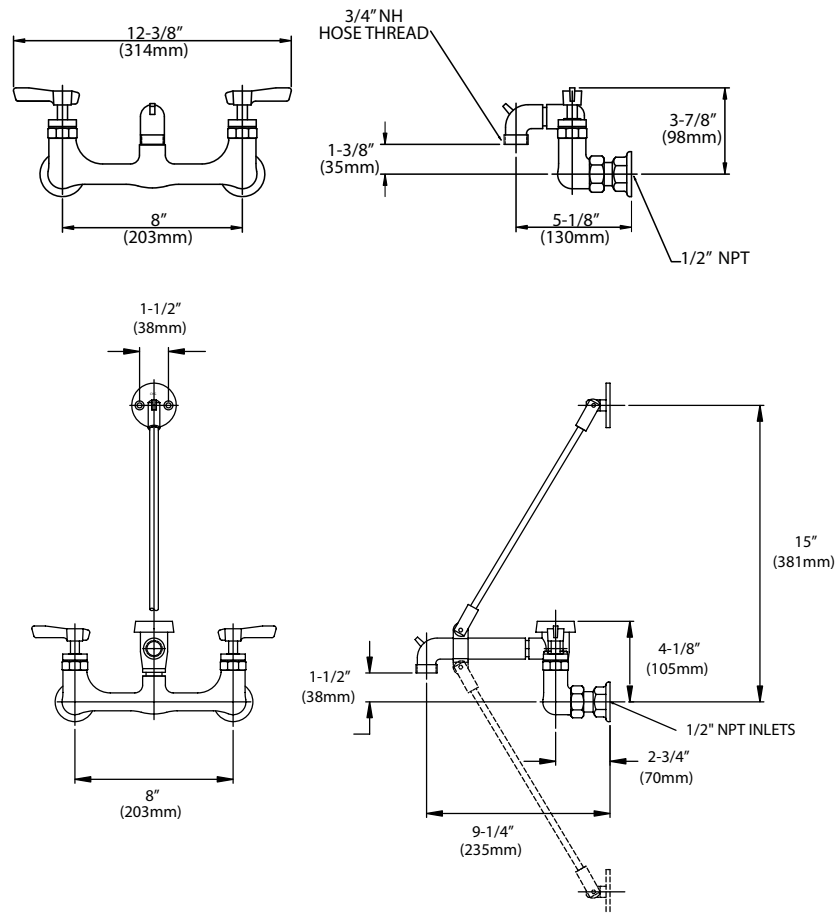
K77-8x02 Series



K77-8x06-BR Series



KC77-8x06-BR Series



Model No.	Spout	Flow Rate	Handles	Valves	Vacuum Breaker	Wall Bracket
K77-8102	Cast Threaded	2.2GPM	Standard Lever	Compression	Yes	No
K77-8002				Compression	Yes	Yes
K77-8106-BR				Compression		
K77-8006-BR				Compression		
KC77-8106-BR				Compression	Yes	Yes
KC77-8006-BR	Compression	Yes	Yes			

For additional technical information visit our website for specification sheets.

For service parts breakdown, refer to page 353-356.



FAUCET, SPLASH MOUNT SERVICE SINK KC77-2000 SERIES MODEL CONFIGURATOR

K x x x - x x x x - x x x

BODY

KC77 = SPLASH MOUNT BODY 8" INLET CENTERS 1/2" NPT FEMALE OUTLET POLISHED CP BRASS

INLET

2 = 2-1/2" OFFSET SUPPLY INLETS W/BUILT-IN STOPS AND 2" INLET EXTENSION

VALVE

1 = 1/4 TURN CERAMIC VALVE W/ INLINE CHECK VALVE

SPOUT

32 = 2" CAST SPOUT
36 = 6" CAST SPOUT WITH 11" SUPPORT
37 = 7" CAST SPOUT WITH 11" SUPPORT
46 = 6" CAST SPOUT WITH 15" SUPPORT
47 = 7" CAST SPOUT WITH 15" SUPPORT
62 = 2" CAST SPOUT AND 60" HOSE

SPOUT STYLE

N = RIGID CAST SPOUT W/ ELBOW AND NIPPLE
T = SWIVEL CAST SPOUT
V = VACUUM BREAKER W/ RIGID CAST SPOUT

AERATOR

W = PLAIN END NO AERATOR OR THREADS
Y = HOSE THREAD
Z = SPECIAL HOSE FITTING

HANDLE

1 = STANDARD ENCORE® LEVER
2 = CROSS
3 = CP DESIGNER
4 = 4" (102mm) WRIST BLADE
6 = 6" (152mm) WRIST BLADE

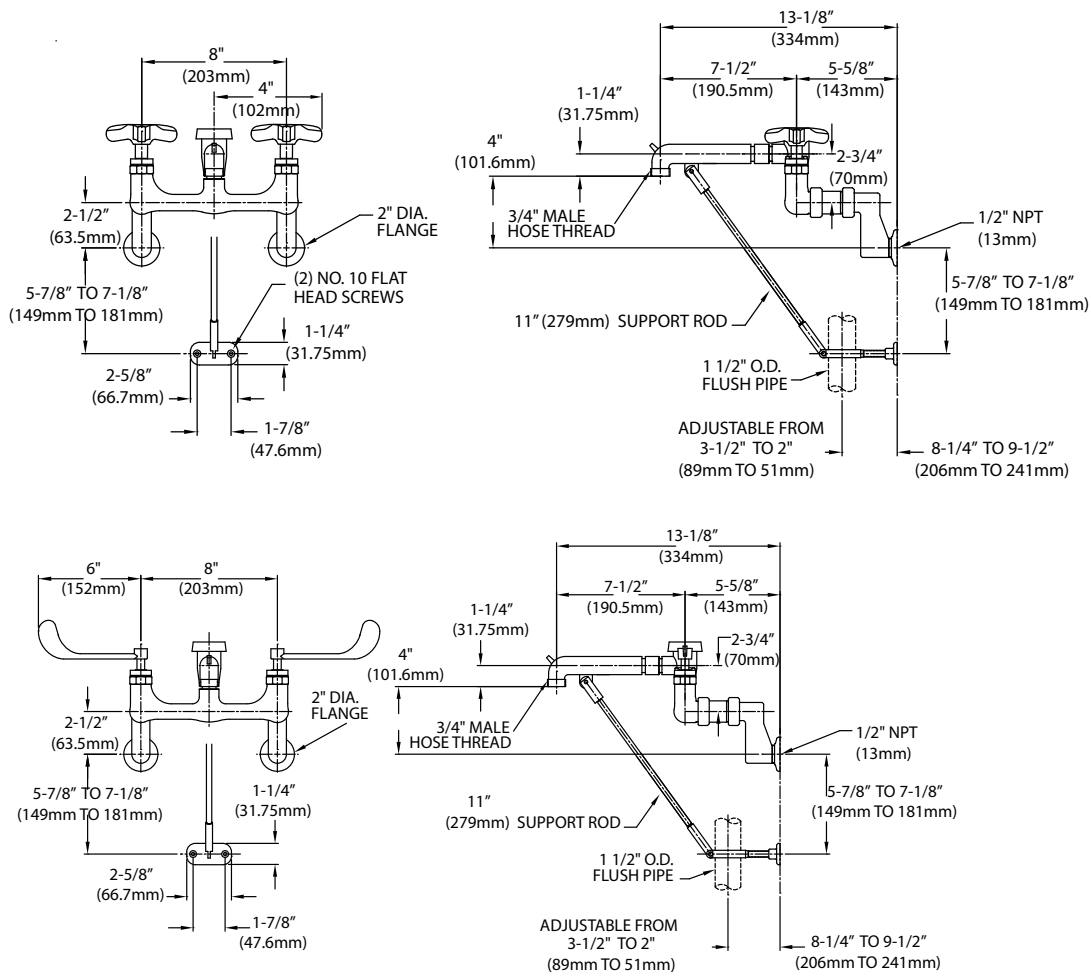
FAUCET, SPLASH MOUNT SERVICE SINK KC77-2000 SERIES



KC77-2137-VY2 Series



KC77-2137-xx6 Series



Model No.	Spout	Handles	Valves	Vacuum Breaker	Wall Bracket
KC77-2136-VY2	Cast	Cross	Compression	Yes	Yes
KC77-2137-NW6		6" Wrist Blade	Ceramic	No	
KC77-2137-VY6				Yes	

For additional technical information visit our website for specification sheets.



FAUCET, SPLASH MOUNT SERVICE SINK KC77-5000 SERIES MODEL CONFIGURATOR

K x x x - x x x x - x x x

BODY

KC77 = SPLASH MOUNT BODY 8" INLET CENTERS 1/2" NPT FEMALE OUTLET POLISHED CP BRASS

INLET

5 = 2-1/2" OFFSET SUPPLY INLETS W/BUILT-IN STOPS AND 5" INLET EXTENSION

VALVE

1 = 1/4 TURN CERAMIC VALVE W/ INLINE CHECK VALVE

SPOUT

32 = 2" CAST SPOUT

36 = 6" CAST SPOUT WITH 11" SUPPORT

37 = 7" CAST SPOUT WITH 11" SUPPORT

46 = 6" CAST SPOUT WITH 15" SUPPORT

47 = 7" CAST SPOUT WITH 15" SUPPORT

62 = 2" CAST SPOUT AND 60" HOSE

SPOUT STYLE

N = RIGID CAST SPOUT W/ ELBOW AND NIPPLE

T = SWIVEL CAST SPOUT

V = VACUUM BREAKER W/ RIGID CAST SPOUT

AERATOR

W = PLAIN END NO AERATOR OR THREADS

Y = HOSE THREAD

Z = SPECIAL HOSE FITTING

HANDLE

1 = STANDARD ENCORE® LEVER

2 = CROSS

3 = CP DESIGNER

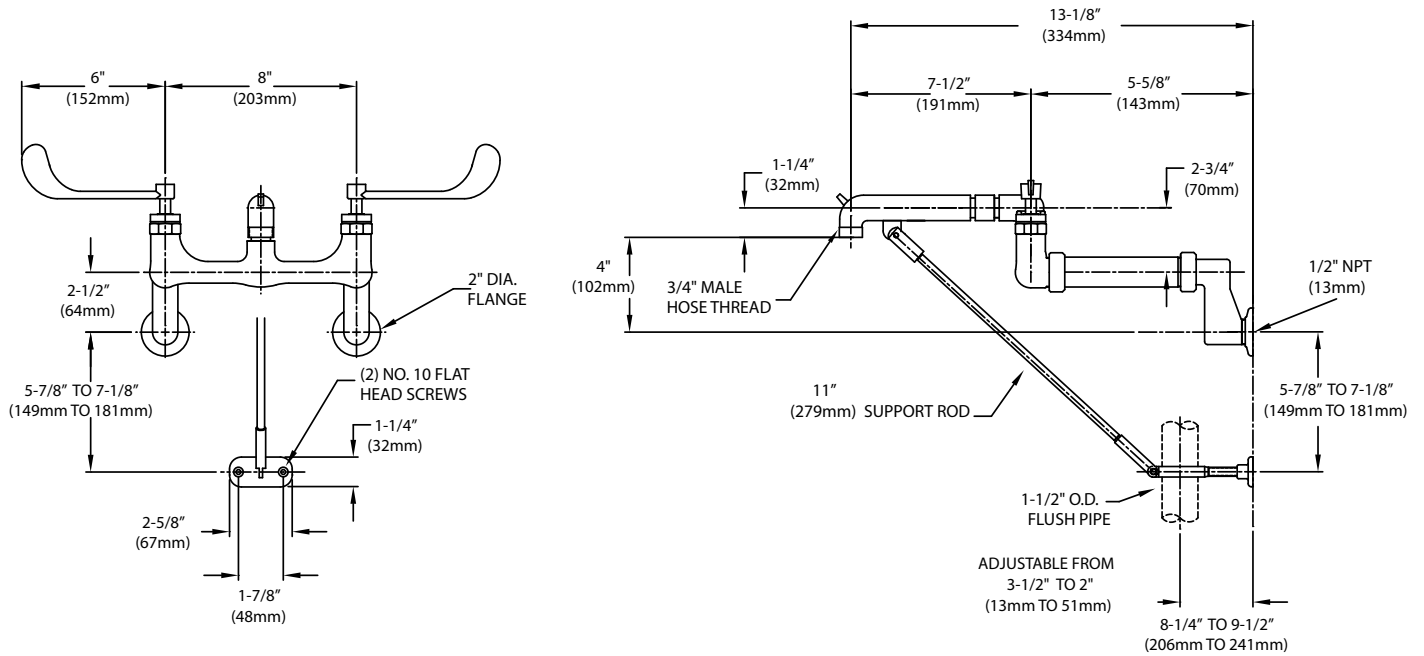
4 = 4" (102mm) WRIST BLADE

6 = 6" (152mm) WRIST BLADE

FAUCET, SPLASH MOUNT SERVICE SINK KC77-5000 SERIES



KC77-5147-xx6 Series



Model No.	Spout	Flow Rate	Handles	Valves	Vacuum Breaker	Wall Bracket
KC77-5147-NW6	Plain Cast	2.2GPM	6" Wrist Blade	Ceramic	No	Yes
KC77-5147-VY6					Yes	

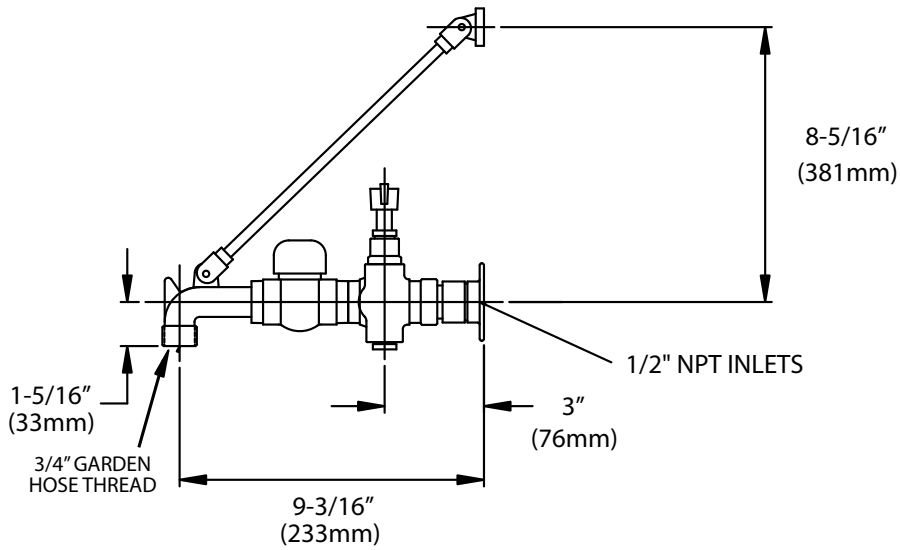
For additional technical information visit our website for specification sheets.



FAUCET, SPLASH MOUNT SERVICE SINK K78-8000 SERIES



K78-8106-BR1X Series



Model No.	Spout	Flow Rate	Handles	Valves	Finish	Hook
K78-8106-BR1X	Threaded Cast	2.2GPM	Standard Lever	Compression with Built In Check Valve	Rough Chrome	Yes

For additional technical information visit our website for specification sheets.



FAUCET, SPLASH MOUNT SERVICE SINK K89-1000/KC89-1000 SERIES MODEL CONFIGURATOR

K x x x - x x x x - x x x

BODY

K89 = SPLASH MOUNT BODY 3-3/8" INLET CENTERS 1/2" NPT FEMALE OUTLET ROUGH CP BRASS
KC89 = SPLASH MOUNT BODY 3-3/8" INLET CENTERS 1/2" NPT FEMALE OUTLET POLISHED CP BRASS

INLET

1 = 2-1/2" OFFSET INLETS W/ BUILT-IN STOPS

VALVE

0 = 1/4 TURN STANDARD ENCORE® COMPRESSION VALVE W/BUILT IN CHECK
1 = 1/4 TURN CERAMIC VALVE W/ INLINE CHECK VALVE

SPOUT

00 = 3-1/2" (89mm) GOOSENECK
01 = 8-1/2" (216mm) GOOSENECK
02 = 6" (152mm) GOOSENECK
06 = 6" (152mm) TUBULAR OR CAST SWING SPOUT
08 = 8" (203mm) TUBULAR SWING SPOUT
10 = 10" (254mm) TUBULAR SWING SPOUT
12 = 12" (305mm) TUBULAR SWING SPOUT
14 = 14" (356mm) TUBULAR SWING SPOUT
16 = 16" (406mm) TUBULAR SWING SPOUT
18A = 18" (457mm) TUBULAR SWING SPOUT

SPOUT STYLE

S = ADJUSTABLE SPOUT
R = RIGID TUBULAR SPOUT

AERATOR

A = 0.5 GPM PCA SPRAY VANDAL RESISTANT
B = 1.5 GPM MAX LAMINAR VANDAL RESISTANT
C = 0.5 GPM PCA SPRAY
D = 1.5 GPM MAX LAMINAR
E = 2.2 GPM MAX AERATED STREAM
F = 2.2 GPM MAX AERATED STREAM VANDAL RESISTANT
H = 2.2 GPM MAX AERATED STREAM VANDAL & HOSE RESISTANT

HANDLE

1 = STANDARD ENCORE® LEVER
2 = CROSS
3 = CP DESIGNER
4 = 4" (102mm) WRIST BLADE
5 = STANDARD LEVER W/TAMPER PROOF SCREW
6 = 6" (152mm) WRIST BLADE

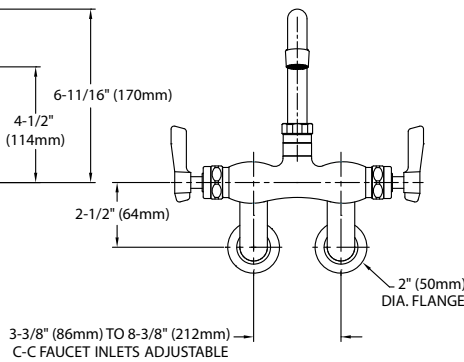
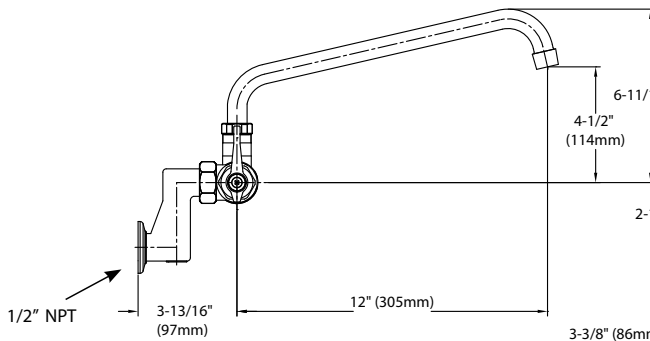
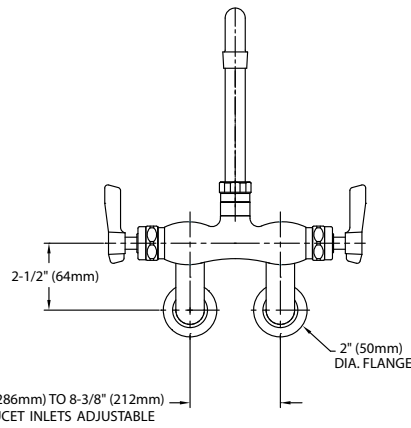
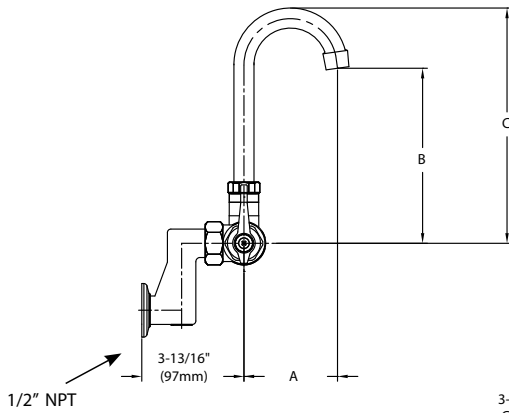
FAUCET, SPLASH MOUNT SERVICE SINK KC89-1000 SERIES



KC89-1x0x-xE1 Series



KC89-1x12-SE1 Series

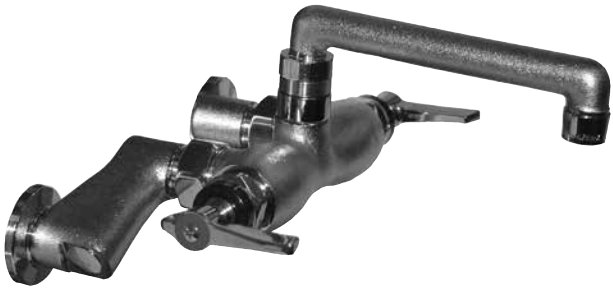


Model No.	Spout	Flow Rate	Handles	Valves	A	B	C
KC89-1100-SE1	Adjustable Gooseneck	2.2GPM	Standard Lever	Ceramic	3-1/2" (89mm)	6-9/16" (166mm)	8-3/4" (223mm)
KC89-1000-SE1				Compression			
KC89-1102-SE1				Ceramic	6" (152mm)	6-1/16" (153mm)	9-3/4" (247mm)
KC89-1002-SE1				Compression			
KC89-1101-SE1				Ceramic	8-1/8" (207mm)	9-5/8" (244mm)	14-3/4" (376mm)
KC89-1001-SE1				Compression			
KC89-1112-SE1	Tubular Swing	2.2GPM	Standard Lever	Ceramic	—	—	—
KC89-1012-SE1				Compression			

For additional technical information visit our website for specification sheets.



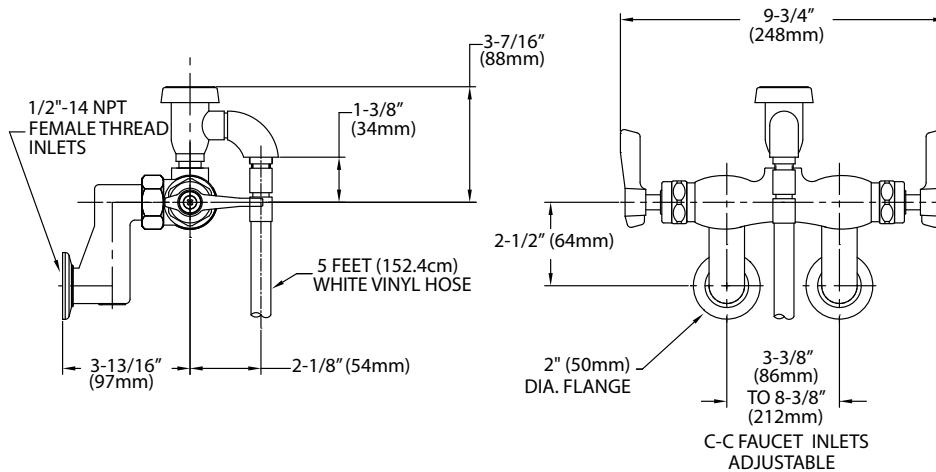
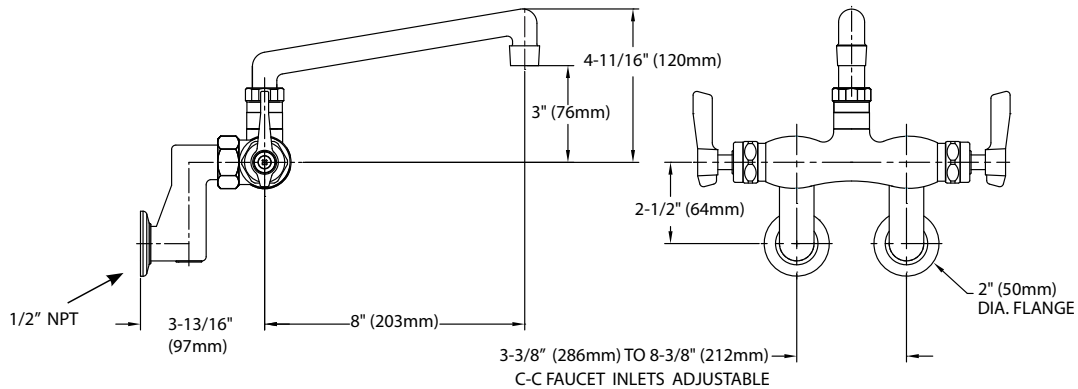
FAUCET, SPLASH MOUNT SERVICE SINK K89-1000/KC89-1000 SERIES



K89-1x06-TE1 Series



KC89-1162-VZ1 Series



Model No.	Spout	Flow Rate	Handles	Valves	Finish	Vacuum Breaker
K89-1106-TE1	Straight Cast	2.2GPM	Standard Lever	Ceramic	Rough Chrome	No
K89-1006-TE1				Compression		
KC89-1006-TE1				Compression	Polished Chrome	
KC89-1162-VZ1	Threaded Cast	2.2GPM	Standard Lever	Compression	Polished Chrome	Yes

For additional technical information visit our website for specification sheets.



FAUCET, SPLASH MOUNT SERVICE SINK KC89-3000 SERIES MODEL CONFIGURATOR

K X X X - X X X X - X X X

BODY

K89 = SPLASH MOUNT BODY 3-3/8" INLET CENTERS 1/2" NPT FEMALE OUTLET ROUGH CP BRASS
KC89 = SPLASH MOUNT BODY 3-3/8" INLET CENTERS 1/2" NPT FEMALE OUTLET POLISHED CP BRASS

INLET

3 = 2-1/2" OFFSET SUPPLY INLETS

VALVE

0 = 1/4 TURN STANDARD ENCORE® COMPRESSION VALVE W/BUILT IN CHECK
1 = 1/4 TURN CERAMIC VALVE W/ INLINE CHECK VALVE
2 = METERING VALVE

SPOUT

06 = 6" CAST SPOUT
08 = 8" CAST SPOUT
32 = 2" CAST SPOUT
36 = 6" CAST SPOUT WITH 11" SUPPORT
37 = 7" CAST SPOUT WITH 11" SUPPORT
46 = 6" CAST SPOUT WITH 15" SUPPORT
47 = 7" CAST SPOUT WITH 15" SUPPORT
62 = 2" CAST SPOUT AND 60" HOSE

SPOUT STYLE

N = RIGID CAST SPOUT W/ ELBOW AND NIPPLE
T = SWIVEL CAST SPOUT
V = VACUUM BREAKER W/ RIGID CAST SPOUT

AERATOR

E = 2.2GPM MAX AERATOR STREAM
W = PLAIN END NO AERATOR OR THREADS
Y = HOSE THREAD
Z = SPECIAL HOSE FITTING

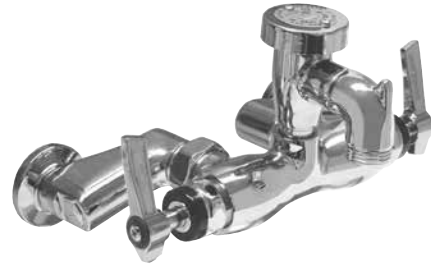
HANDLE

1 = STANDARD ENCORE® LEVER
2 = CROSS
3 = CP DESIGNER
4 = 4" (102mm) WRIST BLADE
6 = 6" (152mm) WRIST BLADE

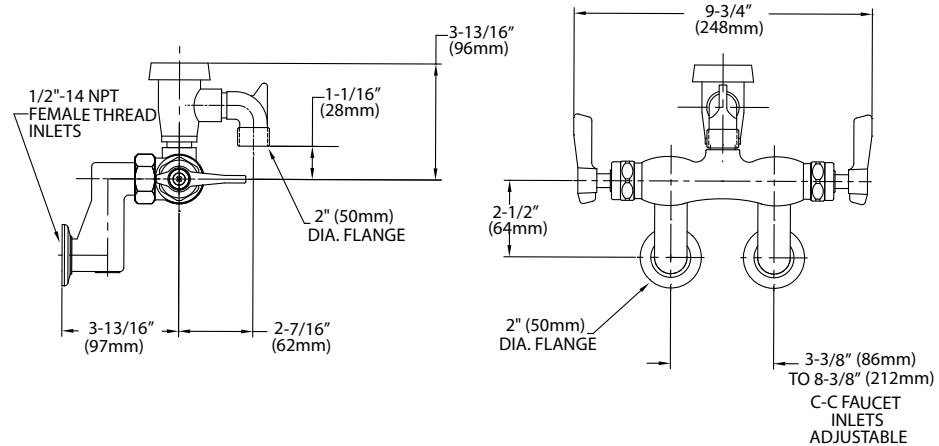
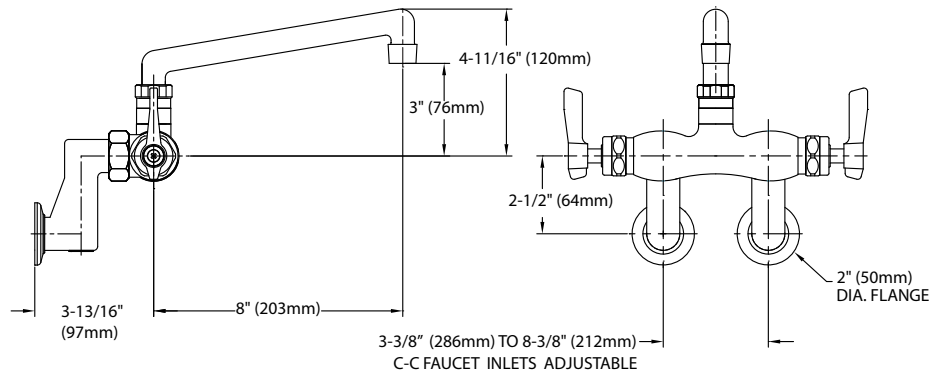
FAUCET, SPLASH MOUNT SERVICE SINK KC89-3000 SERIES



KC89-3x0x-TE1 Series



KC89-3x32-VY1 Series



Model No.	Spout	Handles	Valves	Finish	Hook	Vacuum Breaker
KC89-3106-TE1	Straight Cast	Standard Lever	Ceramic	Chrome Plated	No	No
KC89-3006-TE1			Compression			
KC89-3109-TE1			Ceramic			
KC89-3009-TE1			Compression			
KC89-3132-VY1	Threaded Cast	Standard Lever	Ceramic	Chrome Plated	Yes	Yes
KC89-3032-VY1			Compression			

For additional technical information visit our website for specification sheets.



FAUCET, SPLASH MOUNT, FLUSHING RIM SERVICE SINK KL54-1000 SERIES MODEL CONFIGURATOR

K x x x - x x x x - x x x

BODY

KL54 = CP POLISHED BRASS SPLASH MOUNT FAUCET BODY WITH ADJUSTABLE SPOUT OUTLET

INLET

1 = 2-1/2" (64mm) OFFSET SUPPLY INLETS WITH BUILT-IN STOP VALVES

VALVE

0 = 1/4 TURN STANDARD ENCORE® COMPRESSION VALVE W/BUILT IN CHECK

1 = 1/4 TURN CERAMIC VALVE W/ INLINE CHECK VALVE

SPOUT

00 = 3-1/2" (89mm) GOOSENECK

01 = 8-1/2" (216mm) GOOSENECK

02 = 6" (152mm) GOOSENECK

06 = 6" (152mm) TUBULAR OR CAST SWING SPOUT

08 = 8" (203mm) TUBULAR SWING SPOUT

10 = 10" (254mm) TUBULAR SWING SPOUT

12 = 12" (305mm) TUBULAR SWING SPOUT

14 = 14" (356mm) TUBULAR SWING SPOUT

16 = 16" (406mm) TUBULAR SWING SPOUT

18A = 18" (457mm) TUBULAR SWING SPOUT

18 = 18" (457mm) DOUBLE JOINTED SWING SPOUT

SPOUT STYLE

S = ADJUSTABLE SPOUT

R = RIGID TUBULAR SPOUT

AERATOR

A = 0.5 GPM PCA SPRAY VANDAL RESISTANT

B = 1.5 GPM MAX LAMINAR VANDAL RESISTANT

C = 0.5 GPM PCA SPRAY

D = 1.5 GPM MAX LAMINAR

E = 2.2 GPM MAX AERATED STREAM

F = 2.2 GPM MAX AERATED STREAM VANDAL RESISTANT

G = .35 GPM PCA SPRAY (MALE)

H = 2.2 GPM MAX AERATED STREAM VANDAL & HOSE RESISTANT

J = .35 GPM PCA SPRAY

K = .35 GPM PCA SPRAY (MALE) VANDAL RESISTANT

L = .35 GPM PCA SPRAY VANDAL RESISTANT

M = 1.0 GPM PCA LAMINAR FLOW

S = 6.0 GPM MAX WIDE ROSE SPRAY

HANDLE

1 = STANDARD ENCORE® LEVER

2 = CROSS

4 = 4" (102mm) WRIST BLADE

5 = STANDARD LEVER W/TAMPER PROOF SCREW

6 = 6" (152mm) WRIST BLADE

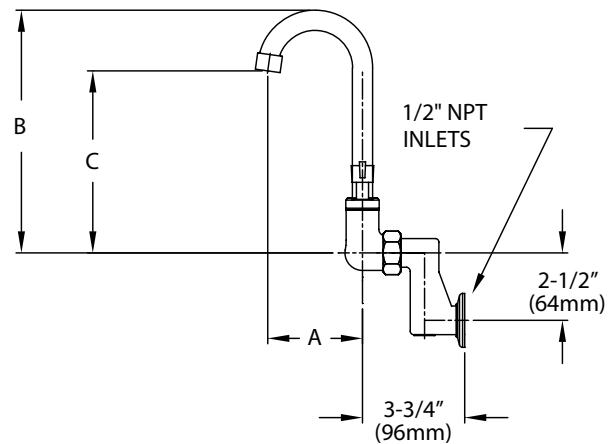
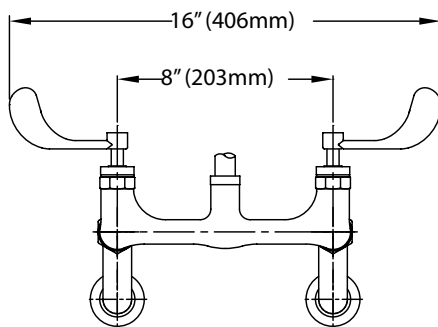
7 = 4" (102mm) WRIST BLADE W/ TAMPER PROOF SCREW

8 = 6" (152mm) WRIST BLADE W/TAMPER PROOF SCREW

FAUCET, SPLASH MOUNT, FLUSHING RIM SERVICE SINK KL54-1000 SERIES



KL54-1x00-RE4 Series



Model No.	Spout	Flow Rate	Handles	Valves	A	B	C
KL54-1100-RE4	Rigid Gooseneck	2.2GPM	4" Wrist Blade	Ceramic	3-1/2" (89mm)	9" (229mm)	6-3/8" (160mm)
KL54-1000-RE4				Compression			
KL54-1102-RE4				Ceramic	6" (152mm)	10-1/4" (260mm)	6-1/4" (160mm)
KL54-1002-RE4				Compression			
KL54-1101-RE4				Ceramic	8-1/2" (216mm)	12-3/4" (324mm)	7" (178mm)
KL54-1001-RE4				Compression			

For additional technical information visit our website for specification sheets.

COMPLIES WITH:
THE FEDERAL "REDUCTION OF LEAD
IN DRINKING WATER ACT" -
2011 - US SENATE BILL NO. S.3874
NSF/ANSI 61/9, ANNEX G



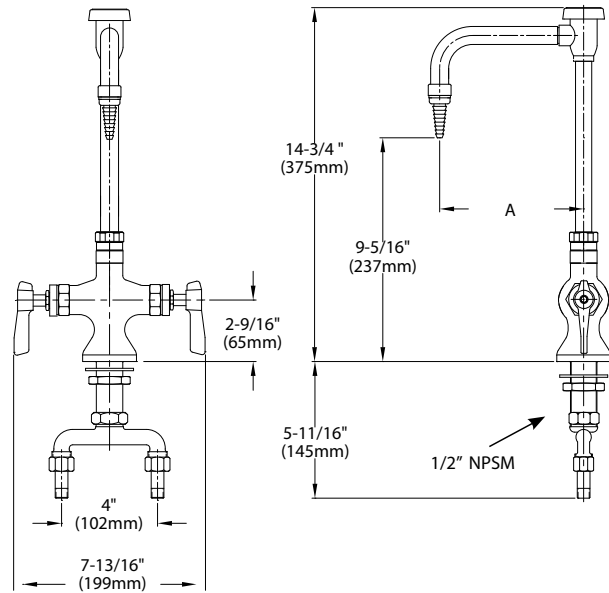
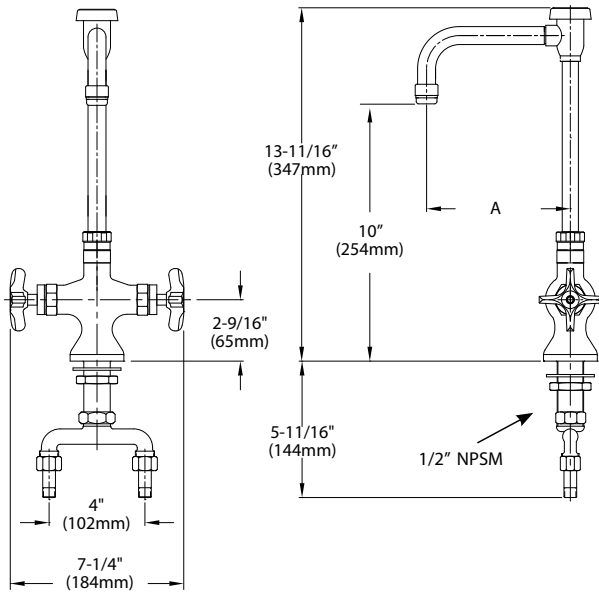
FAUCET, LABORATORY, DOUBLE PANTRY DECK MOUNT, VACUUM BREAKER KN51-9000 SERIES



KN51-9x5x-KR1 Series



KN51-9x5x-KT1 Series



Model No.	Spout	Flow Rate	Handles	Valves	A
KN51-9153-KR1	Plain Rigid Vacuum Breaker	2.2GPM	Standard Lever	Ceramic	6" (152mm)
KN51-9053-KR1				Compression	
KN51-9154-KR1				Ceramic	8" (203mm)
KN51-9054-KR1				Compression	
KN51-9155-KR1				Ceramic	12" (305mm)
KN51-9055-KR1				Compression	
KN51-9153-KT1	Rigid Serrated Vacuum Breaker	2.2GPM	Standard Lever	Ceramic	6" (152mm)
KN51-9053-KT1				Compression	
KN51-9154-KT1				Ceramic	8" (203mm)
KN51-9054-KT1				Compression	
KN51-9155-KT1				Ceramic	12" (305mm)
KN51-9055-KT1				Compression	

For additional technical information visit our website for specification sheets.



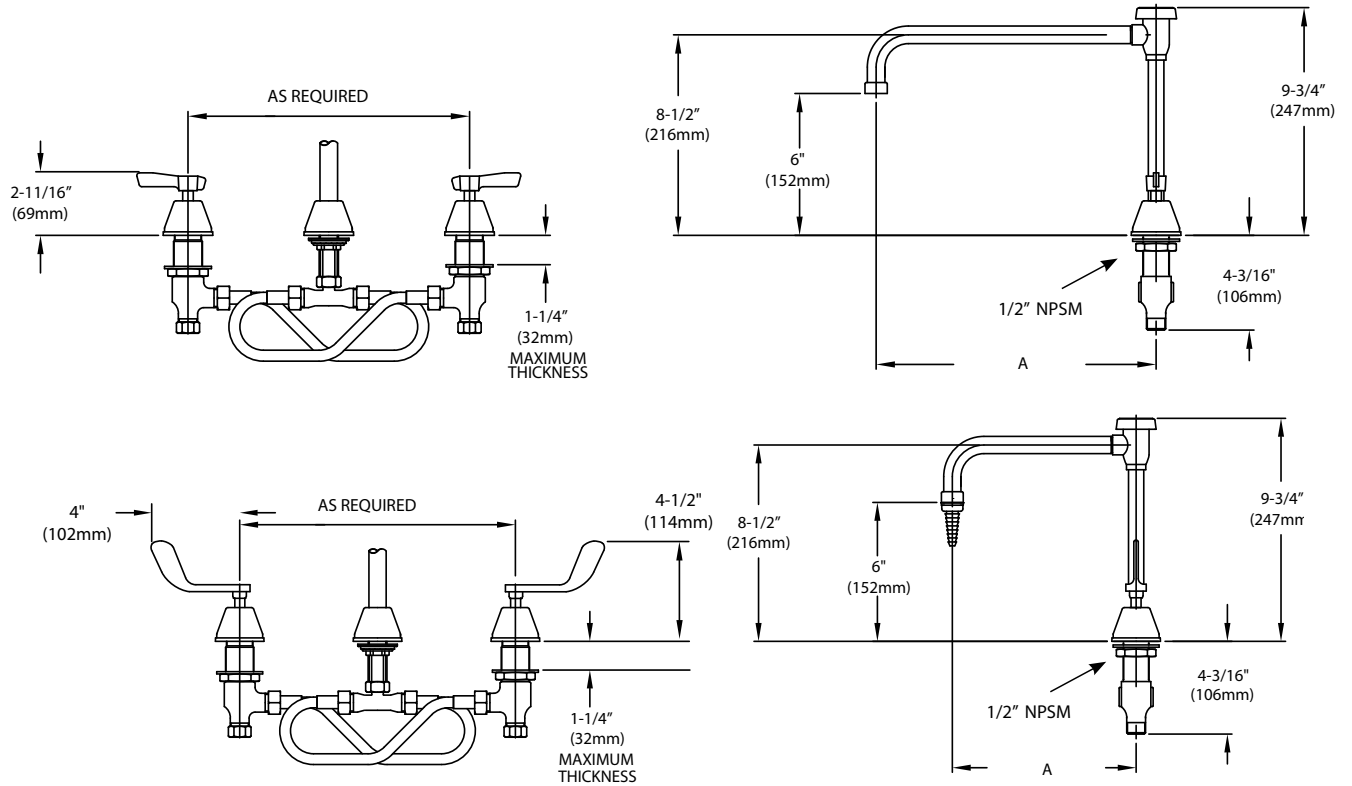
FAUCET, LABORATORY, WIDESPREAD CONCEALED DECK MOUNT, VACUUM BREAKER KN84-8000 SERIES



KN84-8x5x-KR1 Series



KN84-8x5x-KT1 Series



Model No.	Spout	Flow Rate	Handles	Valves	A
KN84-8153-KR1	Plain Rigid Vacuum Breaker	2.2GPM	Standard Lever	Ceramic	6" (152mm)
KN84-8053-KR1				Compression	
KN84-8154-KR1				Ceramic	8" (203mm)
KN84-8054-KR1				Compression	
KN84-8155-KR1				Ceramic	12" (305mm)
KN84-8055-KR1				Compression	
KN84-8153-KT1	Rigid Serrated Vacuum Breaker	2.2GPM	Standard Lever	Ceramic	6" (152mm)
KN84-8053-KT1				Compression	
KN84-8154-KT1				Ceramic	8" (203mm)
KN84-8054-KT1				Compression	
KN84-8155-KT1				Ceramic	12" (305mm)
KN84-8055-KT1				Compression	

For additional technical information visit our website for specification sheets.



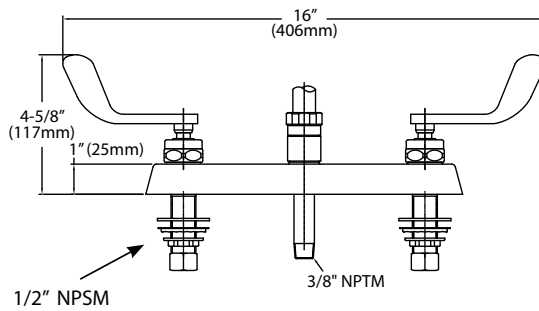
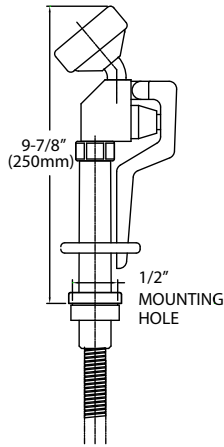
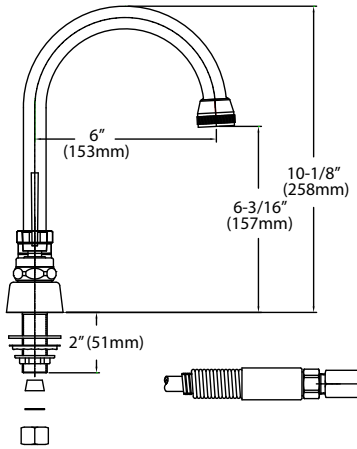
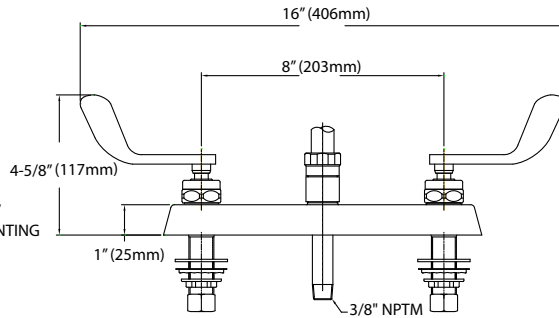
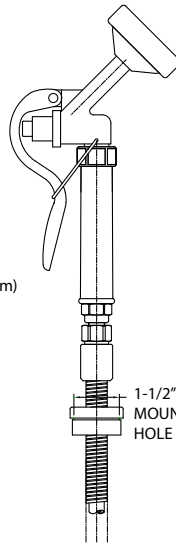
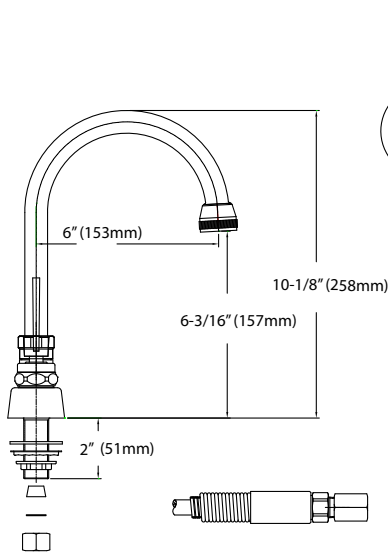
FAUCET, VETERINARY, DECK MOUNT, 8" O.C. K41-8000 SERIES



K41-8x01-724A Series



K41-8x01-724S Series



Model No.	Spout	Flow Rate	Handles	Valves	Hose	Side Sprayer
K41-8201	Adjustable Gooseneck	2.2GPM	Standard Lever	Compression	48" (1219mm)	Standard
K41-8301-724A			4" Wrist Blade		72" (1829mm)	Lightweight Aluminum
K41-8301-724S					96" (2438mm)	Heavy Duty
K41-8301-96			Standard Lever		72" (1829mm)	Lightweight Aluminum
K41-83PG-2347						

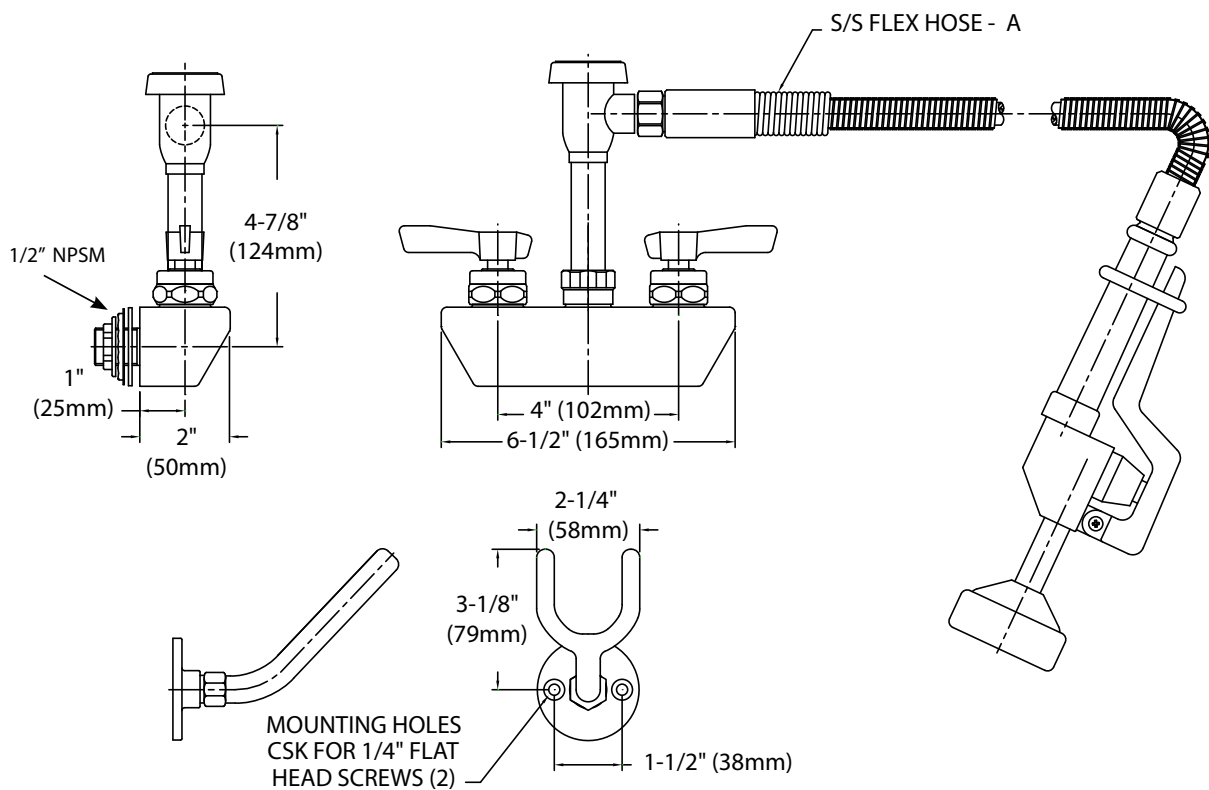
For additional technical information visit our website for specification sheets.



FAUCET, VETERINARY, SPLASH MOUNT, 4" O.C., VACUUM BREAKER K45-3100 SERIES



K45-310x-VBxx Series



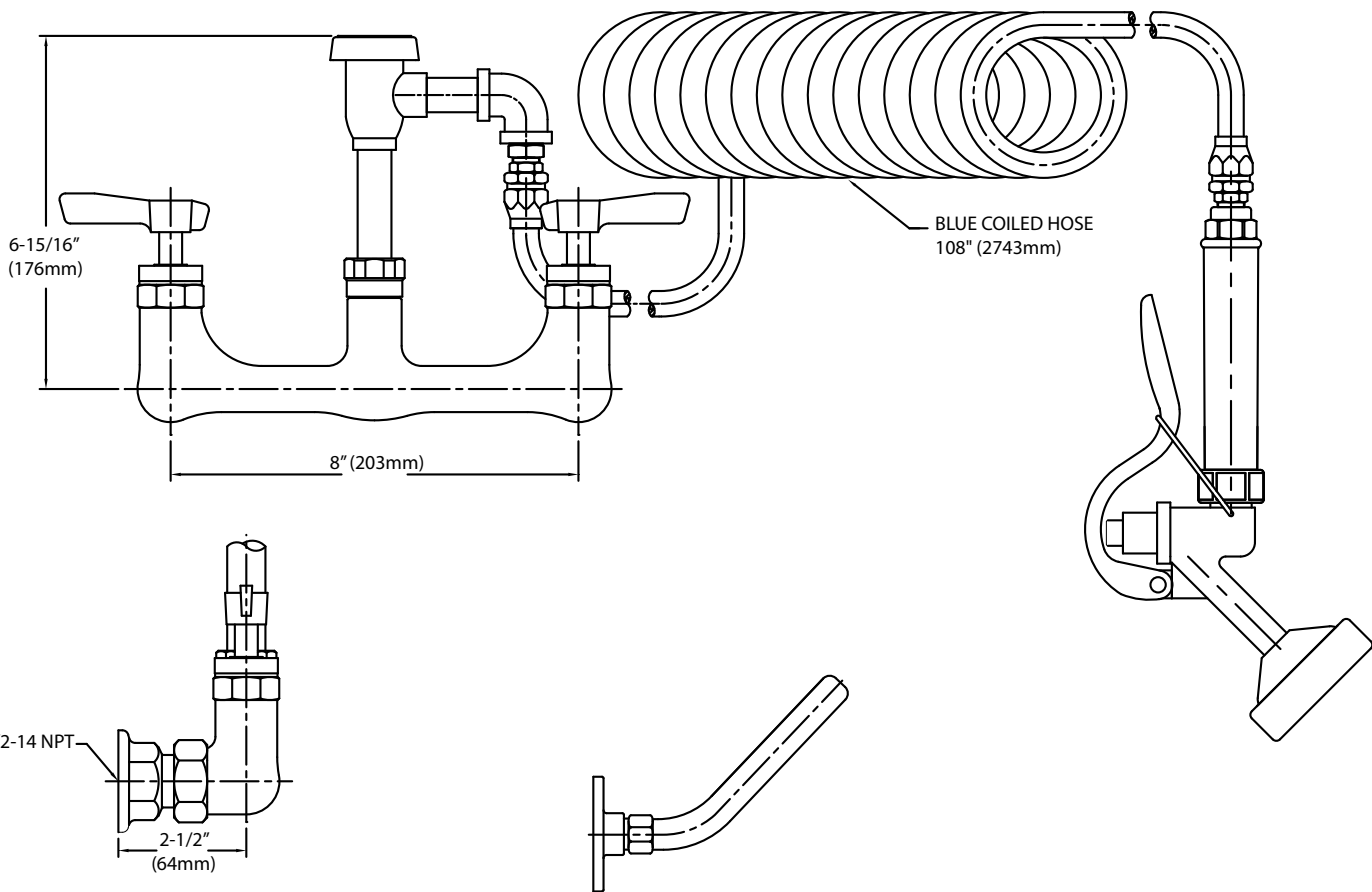
Model No.	Vacuum Breaker	Flow Rate	Handles	Valves	A	Side Sprayer
K45-3100-VB44	Yes	3.3GPM	Standard Lever	Compression	44" (1118mm)	Heavy Duty
K45-3100-VB72					72" (1829mm)	
K45-3100-VB96					96" (2438mm)	
K45-3101-V108		108" (2743mm)			Lightweight Aluminum	

For additional technical information visit our website for specification sheets.

UTILITY SPRAY, VETERINARY, SPLASH MOUNT, 8" O.C., VACUUM BREAKER K53-PG-8WREV SERIES



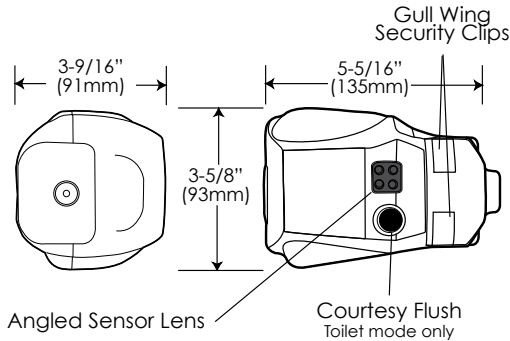
K53-PG-8WREV Series



Model No.	Vacuum Breaker	Flow Rate	Handles	Valves	Hose	Side Sprayer
K53-PG-8WREV	Yes	2.5GPM	Standard Lever	Compression	108" (2743mm)	Lightweight Aluminum

For additional technical information visit our website for specification sheets.

SPECIALTY, AUTO FLUSHER, VACUUM BREAKERS, INLET FITTINGS



Electronic Clamp On Auto Flusher	
Model	Description
KT-2000	Auto Flusher
KT-972	Coyne & Delany, Crane, Rex Adapter
KT-979	Sloan Gem Adapter
KT-980	Toto Adapter
KT-973	Canadian Adapter Kit (Crane, Coyne & Delany, Rex, Tech II, Tempus) Adapter
KT-0577	Powers Adapter
KT-990	American Standard Adapter

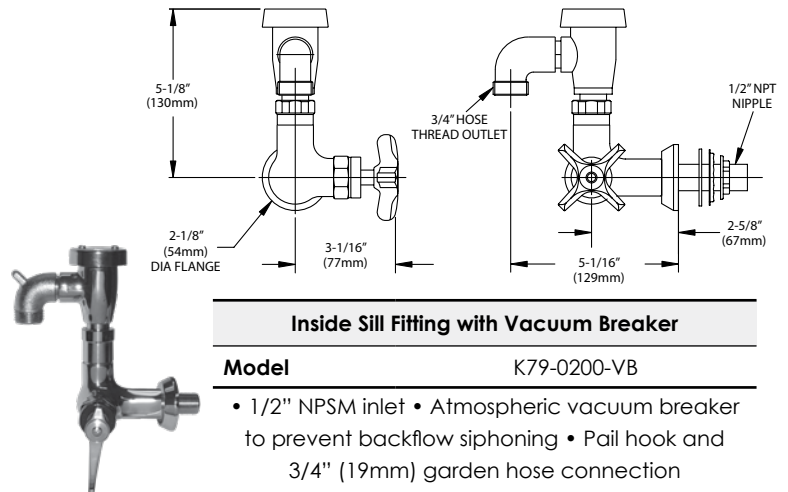
- Fits right-hand or left-hand flush handles
- Works with toilets and urinals
- (4) C-cell alkaline batteries - included - average 3+ years (60,000) battery life under normal operation
- Infrared convergence-type object lock detection with adjustable range from 12" to 48"
- Low battery indicator gives approximately 2-3 months warning



Atmospheric Vacuum Breaker Assembly, 1/2" NPT

Model	Description
KVB-6000	Flat Mounting
KVB-6045	45° Mounting
KVB-6075	45° Mounting, 3/4"

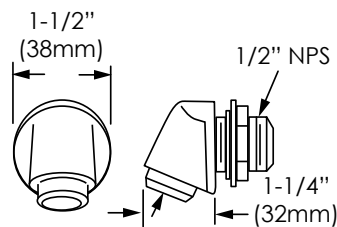
Distance between Pipes is 6" (152mm)



Inside Sill Fitting with Vacuum Breaker

Model	K79-0200-VB
-------	-------------

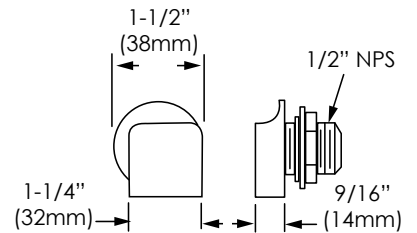
- 1/2" NPSM inlet
- Atmospheric vacuum breaker to prevent backflow siphoning
- Pail hook and 3/4" (19mm) garden hose connection



Trough Inlet Fitting

Model	K36-5000
-------	----------

- Highly polished chrome plated brass
- For use with scrapping troughs & autopsy tables
- 2.2GPM with aerator / 4.1GPM without

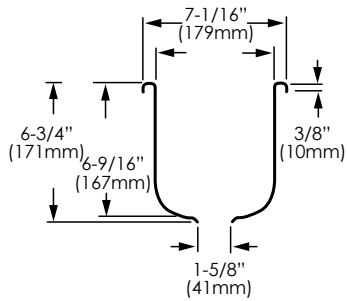


Swirl Inlet Fitting

Model	K36-6000
-------	----------

- Highly polished chrome plated brass
- For use with food waste disposer cone
- Full 1/2" (13mm) pipe water flow
- 4.5GPM

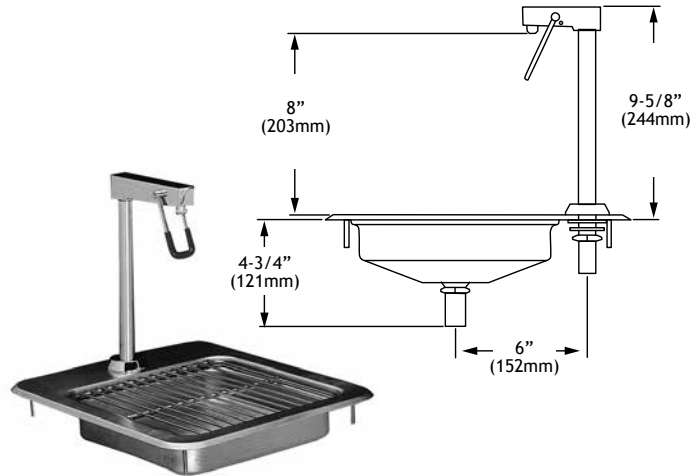
SPECIALTY, WATER STATION, DIPPERWELL



Dipperwell Assemblies

Model	Description
K30-1000	Without Faucet
K30-1000-SB	With 0.4GPM Flow Restrictor
K30-1010	With Faucet

- Fits into 6" (152mm) Dia. opening
 - Type 18-8 stainless steel inner and outer shell
 - 9-1/2" (241mm) overall length
 - Complete with stainless steel drain and 1-1/2" (38mm) O.D. x 4" (102mm) long brass nickel plated tailpiece
- For service parts breakdown, refer to page 281.

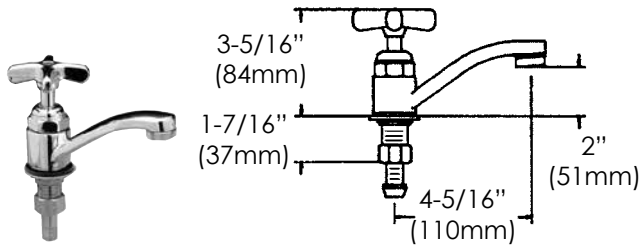


Complete Water Station

Model	Description
K27-1000	8" (203mm) Riser
K27-2000	12" (305mm) Riser

Catch basin requires 11" x 13" (279mm x 330mm) cutout with 1" (25mm) radius corners

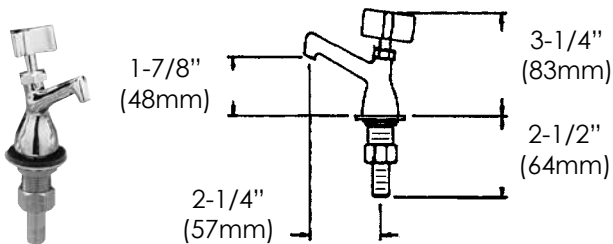
For service parts breakdown, refer to page 280.



Single Spout Swing Faucet 360° Rotation

Model	KL18-3170-XZ
-------	--------------

- Furnished with 1/4" union tailpiece & mounting hardware
- Replaceable stems • 360° spout rotation
 - Renewable seats • 1/2" NPS • 4" (102mm) spout length
 - Highly polished chrome plated brass



Dipperwell Faucet

Model	Description	Flow
KL22-3100	Faucet Only	1.33GPM @ 45 PSI
KL22-3100-SB	w/Flow Restrictor	0.4GPM @ 45 PSI

- Furnished with solid unbreakable chrome plated handles, 1/4" union tailpiece & mounting hardware.
- Highly polished chrome plated brass • 1/2" NPS male inlet



Deck Mounted Glass Filler Only

Model	Description
KL26-5000	8" (203mm) Riser
KL26-5012	12" (305mm) Riser
KL26-5012-SP	(Special SB Model) 12" (305mm) Riser - 3/8" NPT
KL26-5015-SP	15" (378mm) Riser
KL26-5015SP01	15" (378mm) Riser - 3/8" NPT

1. Spring operated two position lever arm, push back for easy filling and upward for continuous flow.
2. Stainless steel riser and polished chrome plated brass finish
3. Heavy duty stainless steel lever arm and internal components
4. Fully adjustable spout for regulated water flow control.

For service parts breakdown, refer to page 279.



Splash Mounted Glass Filler Only

Model	KL26-5001
-------	-----------

1. Furnished with 1/2" NPS male inlet and mounting hardware
2. Stainless steel riser and highly polished chrome plated brass finish



Manual Splash Mount Soap Dispenser

Model K99-300602

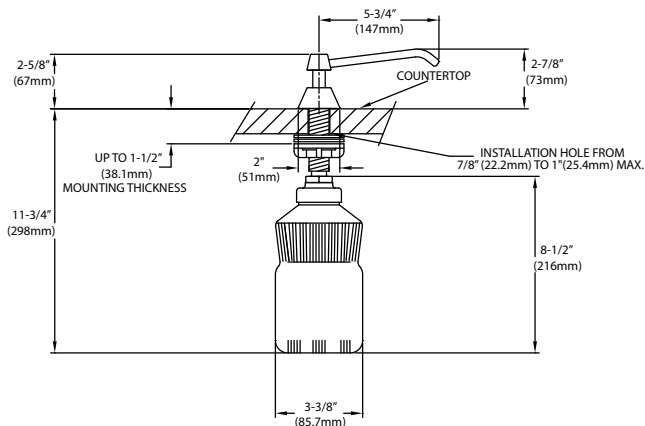
- Chrome plated finish • Economical • Easily refillable



Manual Deck Mount Soap Dispenser

Model KS10-1000

- 5-3/4" (146mm) Free-turning spout
- White polyethylene bottle— capacity 32 Fl. Oz. (950ml)
- Size: 3-1/2" x 15" x 7-7/16" (89mm x 381mm x 189mm)
- No dripping when not in use • Chrome plated brass spout stem • Vandal resistant locking cover (Locking Key Included)



Electronic Wall Mount Soap Dispenser

Model KS20-9309

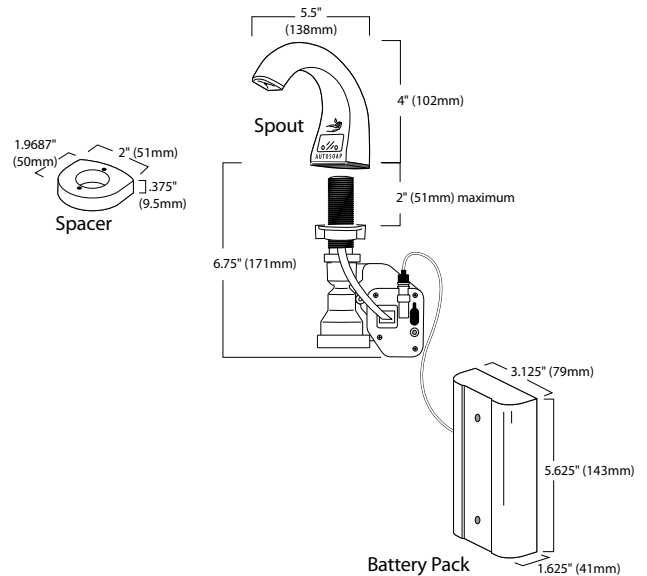
- Made from sturdy ABS plastic • Durable tamper resistant housing protects against impact • No dripping when not in use
- Transparent window and liquid soap volume level indicator for easy monitoring of soap level • Uses (6) AA alkaline batteries (NOT INCLUDED) • 27 Fl. Oz. (800ml) capacity—refillable soap container



SmartSoap™ Electronic Deck Mount Soap Dispenser

Model KS15-402241

- Energy efficient cam-gear technology • Battery life up to 100,000 cycles (about 2 years) • Refills available from most janitorial supply distributors • Yellow battery indicator light appears when battery is low • Red refill indicator light signals time to install soap refill • Programmable for 800ml or 1600ml soap refills • Reset button automatically resets low refill light
- Optional spacer included for sink rims higher than 3/4"



FOOT VALVE, DUAL PEDAL KL24 SERIES



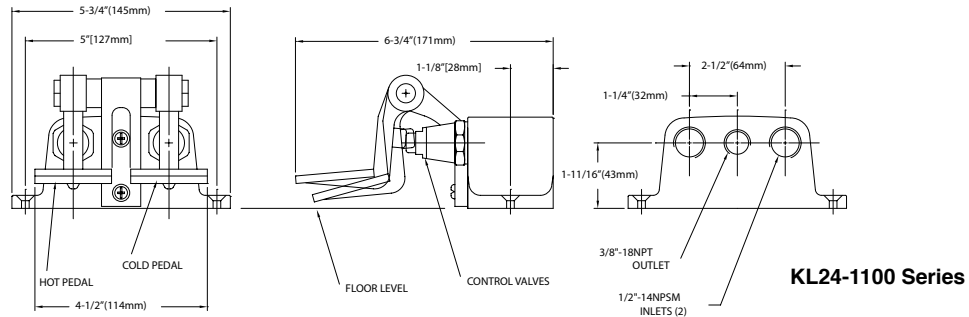
KL24-1100 Series



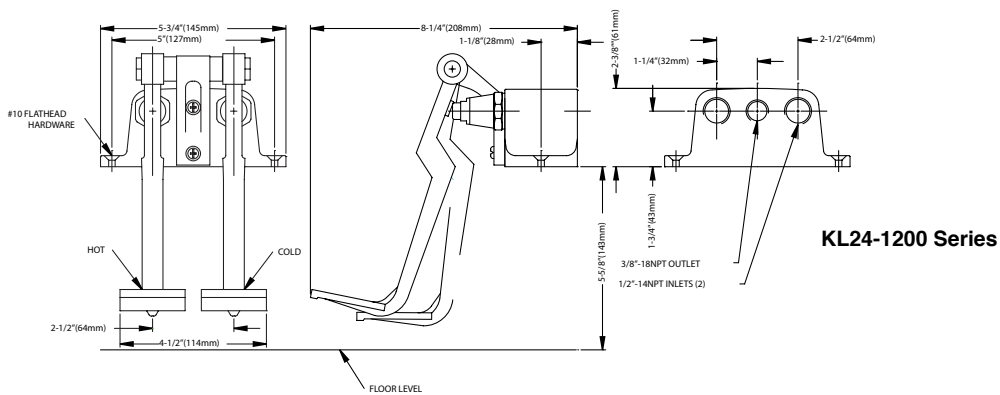
KL24-1200 Series



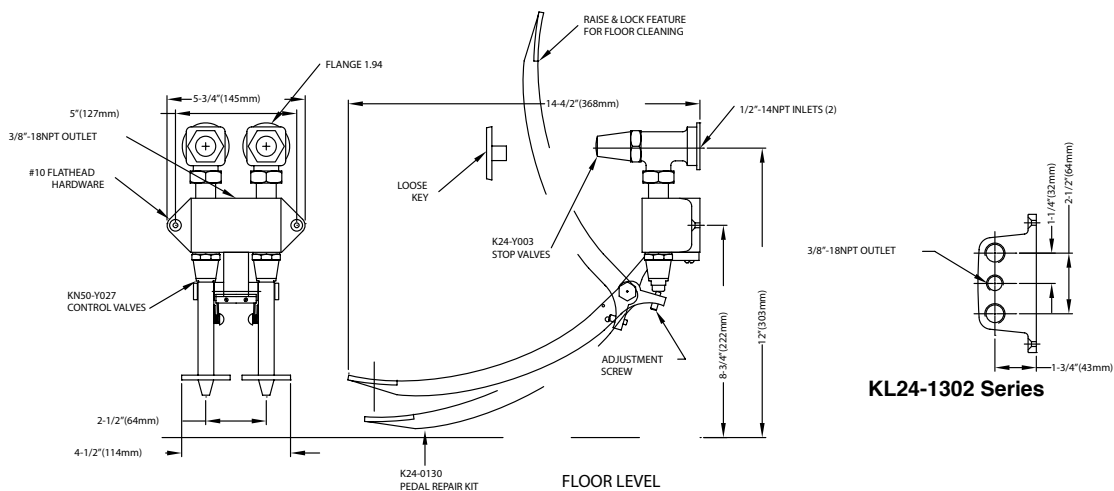
KL24-1302 Series



KL24-1100 Series



KL24-1200 Series



KL24-1302 Series

Model No.	Pedal Type	Locking Stops	Valves	Inlets	Outlets
KL24-1100	Short	No	Hot and Cold	(2) 1/2" NPT Female	(1) 3/8" NPT Female
KL24-1200	Extended	Yes			
KL24-1302					

For additional technical information visit our website for specification sheets.

NOTE: Uses KL50-Y027 valve repair kit

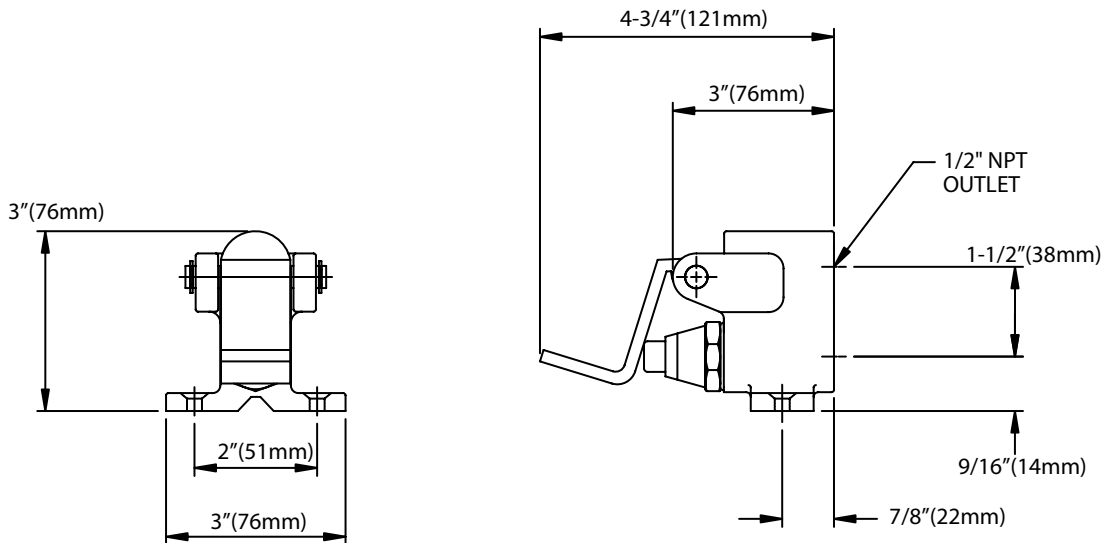
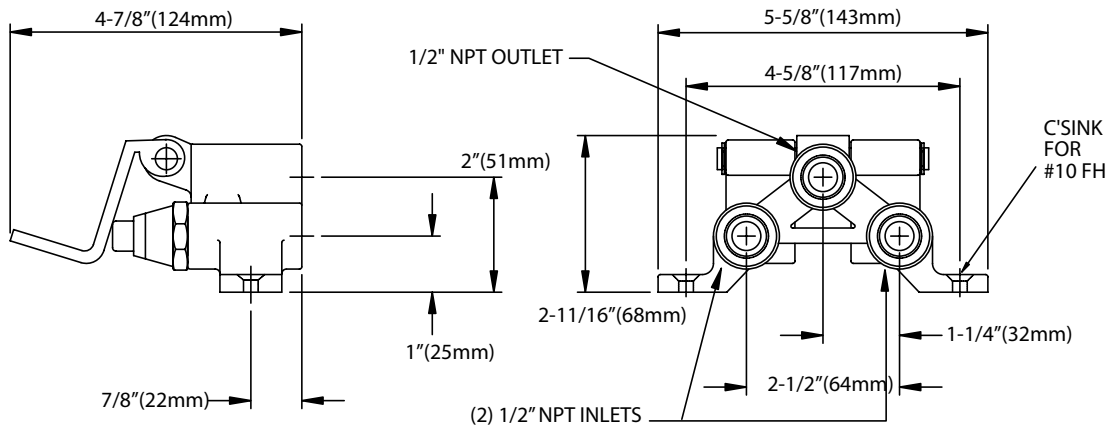
FOOT VALVES, DUAL AND SINGLE LEVER KL25-1000/KL25-2000 SERIES



KL25-1000 Series



KL25-2000 Series



Model No.	Lever Type	Valves
KL25-1000	Dual	Hot and Cold
KL25-2000	Single	Hot or Cold

For additional technical information visit our website for specification sheets.

For service parts breakdown, refer to page 279.

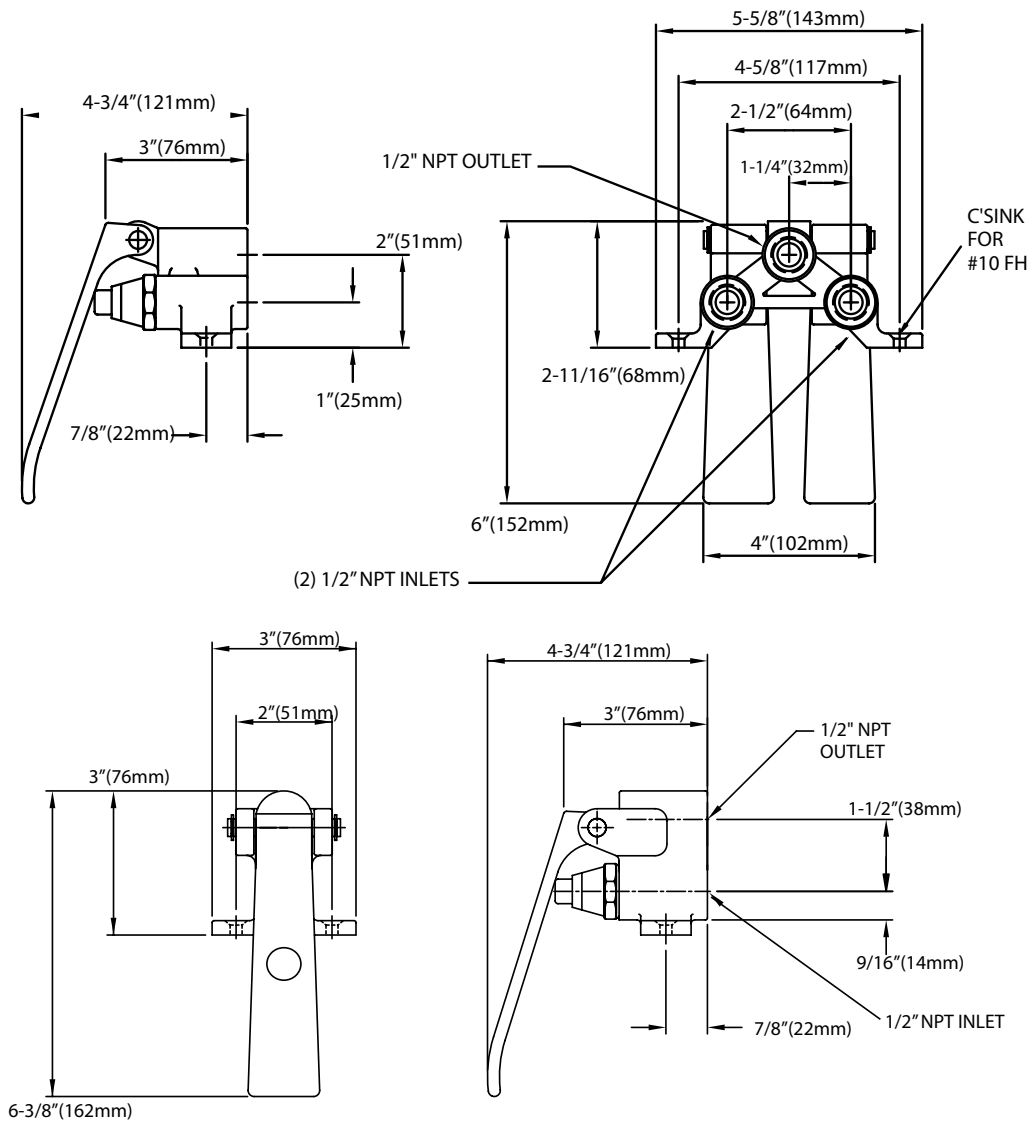
KNEE VALVES, DUAL AND SINGLE LEVER KL25-3000/KL25-4000 SERIES



KL25-3000 Series



KL25-4000 Series



Model No.	Lever Type	Valves
KL25-3000	Dual	Hot and Cold
KL25-4000	Single	Hot or Cold

For additional technical information visit our website for specification sheets.

For service parts breakdown, refer to page 280.

NOTE: Uses KL50-Y027 valve repair kit



Splash Mounted Pedal Valve Bed Pan Cleaner w/ Spray, Shut-Off and Handle

Model K29-1300-VB



Splash Mounted Pedal Valve Bed Pan Cleaner with Spray and Handle Grip

Model K29-4300-VB



Bed Pan Cleaner with Spray and Handle Grip

Model K79-4100-VB



Bed Pan Cleaner with In-line Vacuum Breaker, Spray and Handle Grip

Model K79-3530-VB



Bed Pan Cleaner with Valve and Handle with In-Line Vacuum Breaker

Model K79-1130-VB



Bed Pan Cleaner with Valve and Handle

Model K79-1100-VBXZ



Splash Mount Bed Pan Cleaner

Model K79-3500-VB



Bed Pan Washer, with Valve and 48" (1219mm) Vinyl Hose

Model K79-Y110-48

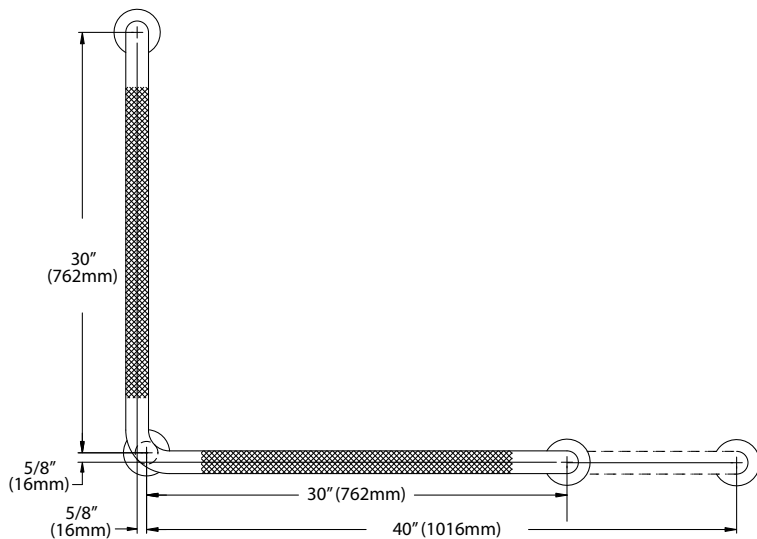
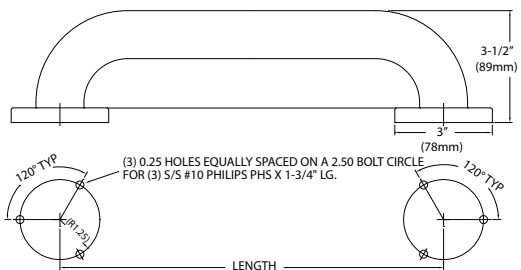
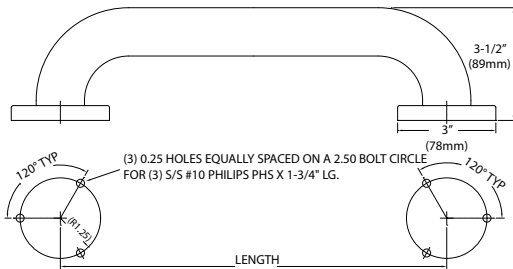


Bed Pan Washer with 48" (1219mm) Vinyl Hose

Model K79-Y410-48

For additional technical information visit our website for specification sheets.

GRAB BARS, SMOOTH, KNURLED, PRISON, L-SHAPED GBS15 SERIES



Straight

Model			Length
REF. A Smooth	REF. B Knurled	REF. C Prison Style*	
GBS15-1112-Q	GBS15-4112-Q	GBS15-1112-QP	12" (305mm)
GBS15-1116-Q	GBS15-4116-Q	GBS15-1116-QP	16" (406mm)
GBS15-1118-Q	GBS15-4118-Q	GBS15-1118-QP	18" (457mm)
GBS15-1124-Q	GBS15-4124-Q	GBS15-1124-QP	24" (610mm)
GBS15-1130-Q	GBS15-4130-Q	GBS15-1130-QP	30" (762mm)
GBS15-1132-Q	GBS15-4132-Q	GBS15-1132-QP	32" (813mm)
GBS15-1136-Q	GBS15-4136-Q	GBS15-1136-QP	36" (914mm)
GBS15-1142-Q	GBS15-4142-Q	GBS15-1142-QP	42" (1067mm)
GBS15-1148-Q	GBS15-4148-Q	GBS15-1148-QP	48" (1219mm)

L-Shaped

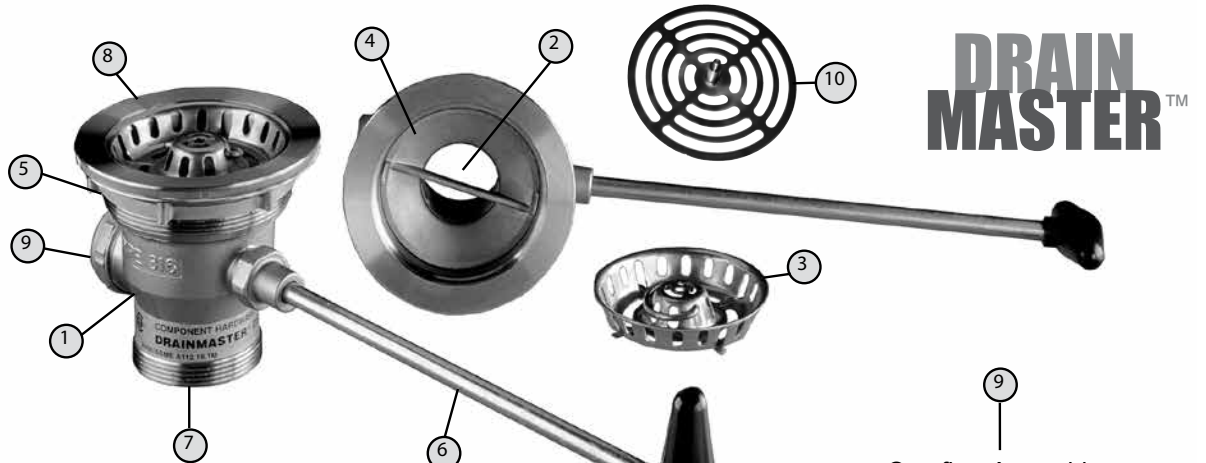
Model		Dimensions
REF. D Smooth	REF. E Knurled	
GBS15-113030Q	GBS15-413030Q	30" x 30" (762 x 762mm)
—	GBS15-414030Q	40" x 30" (1017 x 762mm)

*Stainless steel anti-ligature prison bar has welded plate along the length of the bar. Weep holes are available for prison bars used in shower area.

For additional technical information visit our website for specification sheets.



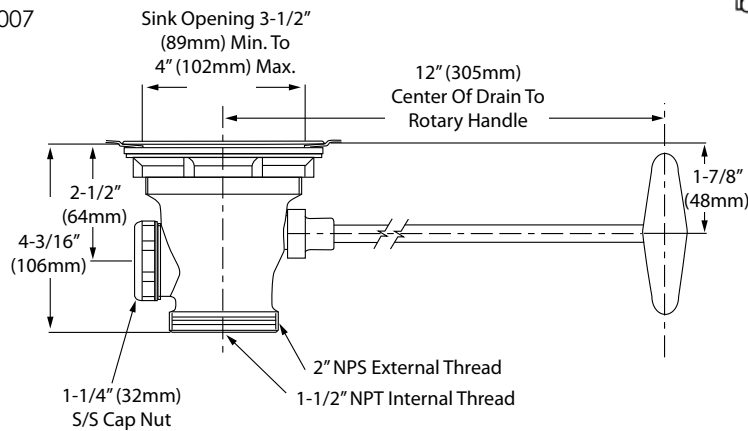
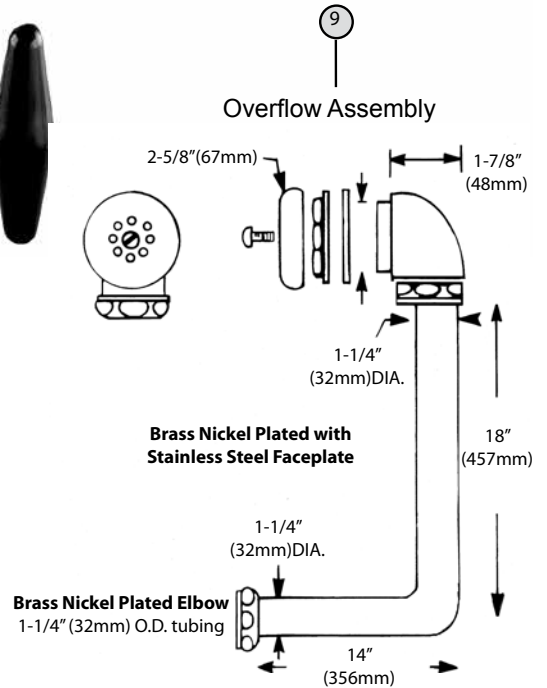
DRAINS, DRAIN MASTER™, ROTARY, STAINLESS STEEL DSS-8000-X SERIES



DRAIN MASTER™

1. Solid stainless steel Type 316 construction throughout
2. 3 times the flow rate of conventional lever drains
2. Rotary valve provides fast, unobstructed water evacuation.
2. Full opening ball valve allows access for snaking or plunging from sink top eliminating costly service calls.
3. Twist lock recessed removable beehive crumb-cup prevents clogging and ensures continuous water flow.
4. Self-adjusting heat and chemical resistant PTFE seals eliminate costly replacement of o-rings and conventional gaskets.
5. Unique body style provides fast installation from sink top.
6. Solid stainless steel remote handle assembly for smooth, easy operation
7. Universal body provides both 2" and 1-1/2" (51mm and 38mm) waste outlet connections.
8. Fits standard 3-1/2" (89mm) sink opening
9. Can instantly convert to accept an overflow assembly eliminating double inventories
10. Optional flat strainer DSS-Y007

US Patent 6, 145, 136



Model No.	Drain Type	Sink Opening Dia.	NPS	Handle Length	Strainer Type
DSS-8000-X	Capped Overflow	3-1/2" (89mm)	2" (51mm) or 1-1/2" (38mm)	10-1/2" (267mm)	Beehive Crumb Cup
DSS-8000-SP1				5" (127mm)	
DSS-8000-SP2				18" (457mm)	
DSS-8015	Overflow Assembly	12" (305mm)			
DSS-8015-P*		3" (76mm)			

*Vandal resistant prison package

For additional technical information visit our website for specification sheets.

COMPLIES WITH:
ANSI A112.18.1/B125



For service parts breakdown, refer to page 277.

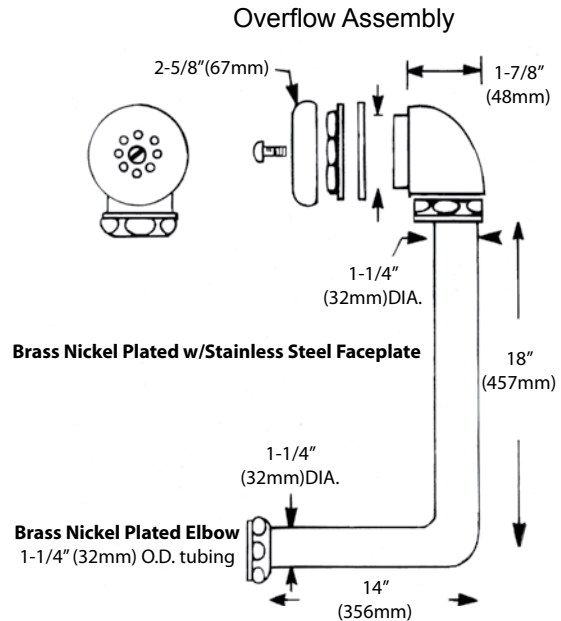
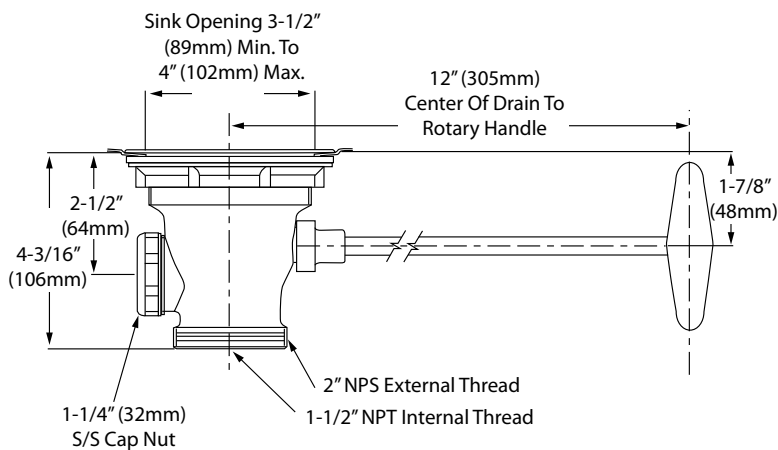
DRAINS, QUIK FLO™, ROTARY, NICKEL PLATED DBN-8000-X SERIES

**QUIK
FLO™**



- Heavy-duty nickel plated solid brass
- Rotary valve provides fast, unobstructed water evacuation.
- Twist lock recessed removable beehive crumb-cup prevents clogging and ensures continuous water flow.
- Self-adjusting heat and chemical resistant PTFE seals eliminate costly replacement of o-rings and conventional gaskets.
- 3 times the flow rate of conventional lever drains
- Fits standard 3-1/2" (89mm) sink opening
- Full opening ball valve allows access for snaking or plunging from sink top and eliminates costly service calls.
- Unique body style provides fast installation from sink top.
- Solid stainless steel remote handle assembly for smooth, easy operation
- Specification grade
- Universal body provides both 2" and 1-1/2" (51mm and 38mm) waste outlet connection and can instantly convert to accept an overflow assembly eliminating double inventories.
- Overflow accessories available

US Patent 6, 145, 136



Model No.	Drain Type	Sink Opening Dia.	NPS	Handle Length	Strainer Type
DBN-8000-X	Capped Overflow	3-1/2" (89mm)	2" (51mm) or 1-1/2" (38mm)	10-1/2" (267mm)	Crumb Cup
DBN-8000-SP1				12" (305mm)	Flat Strainer
DBN-8015-SP1	Overflow Assembly				

For additional technical information visit our website for specification sheets.

COMPLIES WITH:
ANSI A112.18.1/B125



DRAINS, LEVER HANDLE D10/D13 SERIES



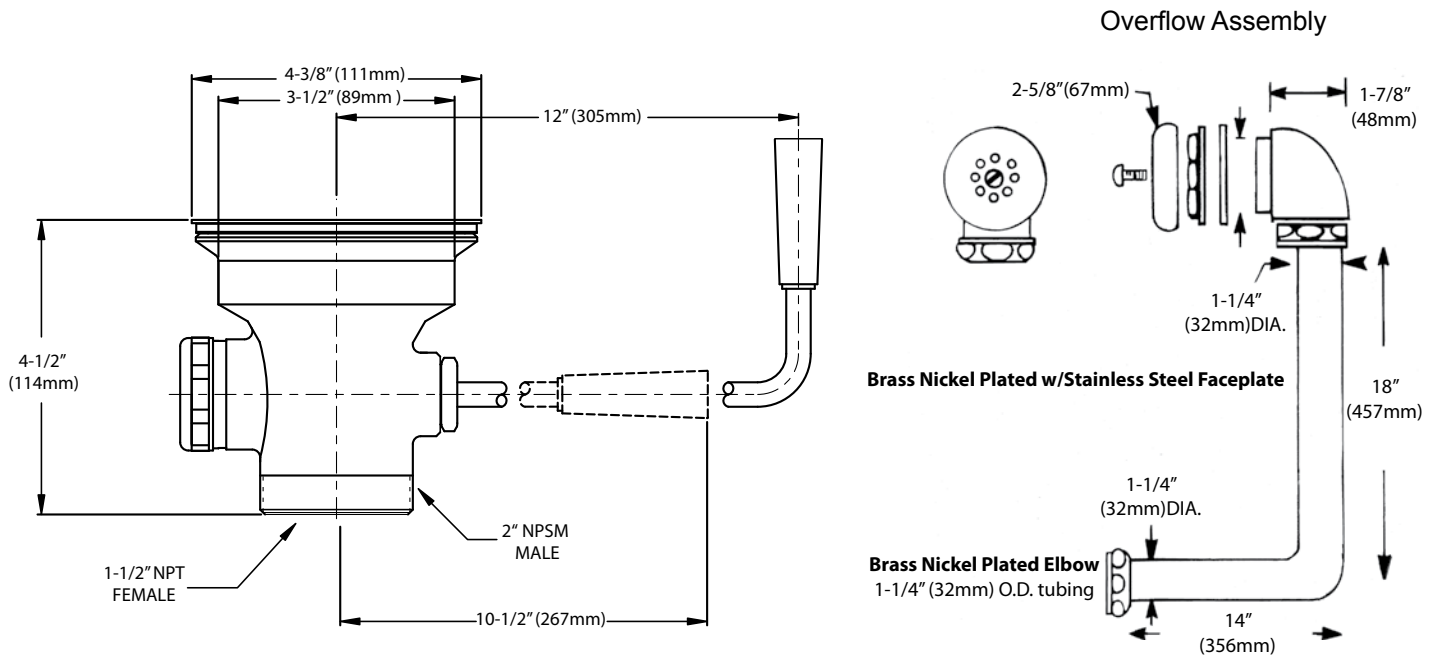
D10-7x00 Series



D10-459x Series



D13-7x10 Series



Model No.	Drain Type	Sink Opening Dia.	NPS	Face Flange Dia.	Strainer Type
D10-7300	Capped Overflow	3-1/2" (89mm)	1-1/2" (38mm)	4-1/2" (114mm)	Flat
D10-7400			2" (51mm)		
D10-4150		3" (76mm)	1-1/2" (38mm)	4" (102mm)	
D10-4151			2" (51mm)		
D10-4590	Overflow Assembly	3-1/2" (89mm)	1-1/2" (38mm)	4-1/2" (114mm)	
D10-4591			2" (51mm)		
D10-7315		3-1/2" (89mm)	1-1/2" (38mm)	4-1/2" (114mm)	
D10-7415			2" (51mm)		
D13-7310	Capped Overflow	3-1/2" (89mm)	1-1/2" (38mm)	4-1/2" (114mm)	Crumb Cup
D13-7315	Overflow Assembly		2" (51mm)		
D13-7410	Capped Overflow				
D13-7415	Overflow Assembly				

For additional technical information visit our website for specification sheets.

COMPLIES WITH:
ANSI A112.18.1/B125



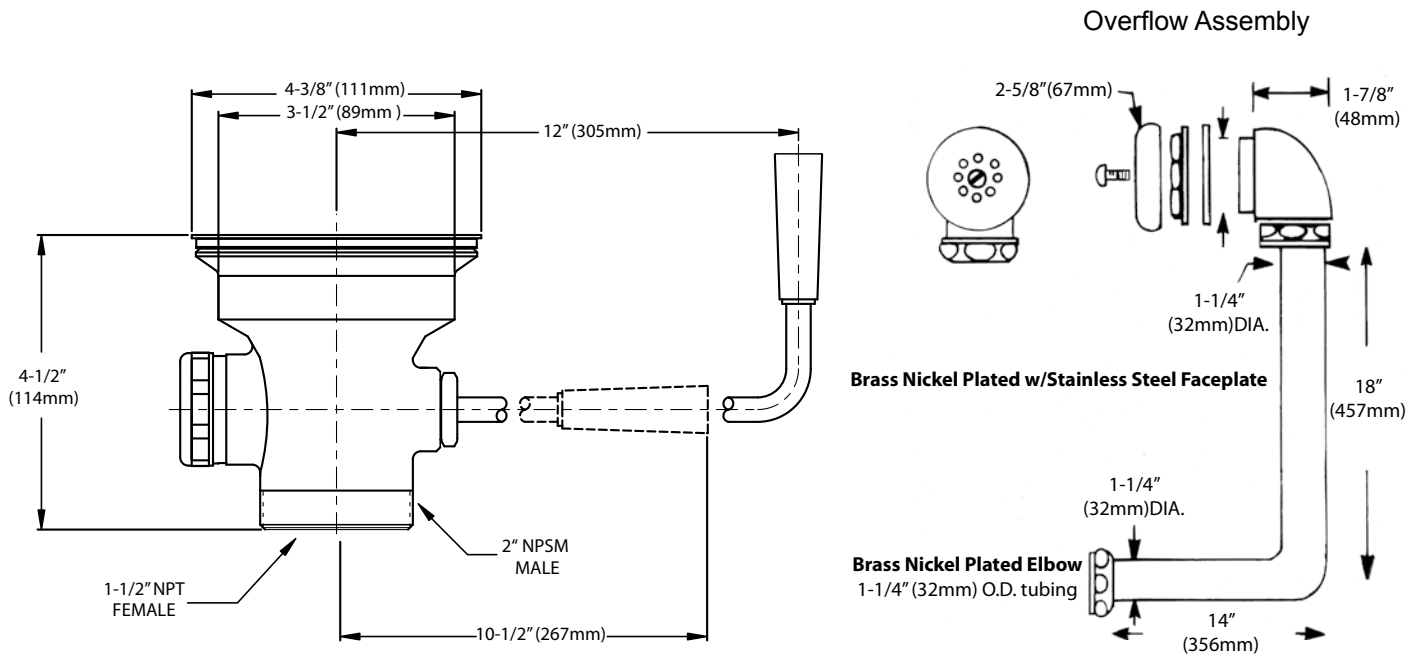
DRAINS, TWIST HANDLE D50/D53 SERIES



D50-7200-xx Series

D50-459x Series

D53-7x10 Series



Overflow Assembly

Brass Nickel Plated w/Stainless Steel Faceplate

Brass Nickel Plated Elbow

1-1/4" (32mm) O.D. tubing

Model No.	Drain Type	Sink Opening Dia.	NPS	Face Flange Dia.	Strainer Type
D50-4151	Capped Overflow	3" (76mm)	1-1/2" (38mm)	4" (102mm)	Flat
D50-4150			2" (51mm)		
D50-7100		3-1/2" (89mm)	1-1/2" (38mm)	4-1/2" (114mm)	
D50-7200			2" (51mm)		
D50-4591	Overflow Assembly	3" (76mm)	1-1/2" (38mm)	4" (102mm)	
D50-4590			2" (51mm)		
D50-7115		3-1/2" (89mm)	1-1/2" (38mm)	4-1/2" (114mm)	
D50-7215			2" (51mm)		
D50-7200-RM*	Capped Overflow	3-1/2" (89mm)	1-1/2" (38mm)	4-1/2" (114mm)	
D50-7200-HN**			2" (51mm)		
D53-7110	Capped Overflow	3-1/2" (89mm)	1-1/2" (38mm)	4-1/2" (114mm)	Crumb Cup
D53-7210			2" (51mm)		
D53-7115	Overflow Assembly		1-1/2" (38mm)		
D53-7215			2" (51mm)		

*Brass male reducer

**Brass hex nipple

For additional technical information visit our website for specification sheets.

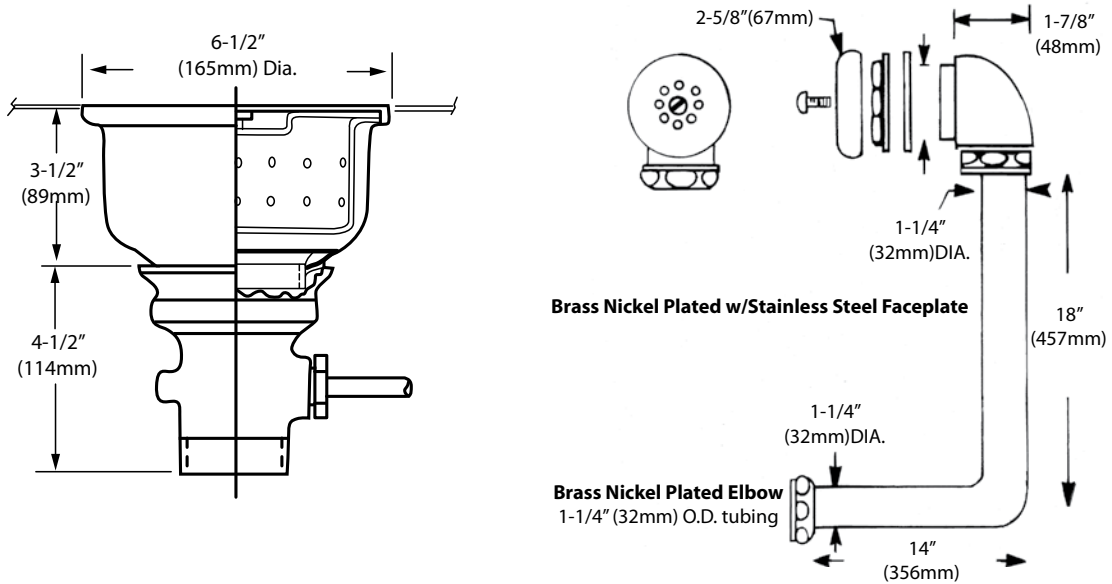
COMPLIES WITH:
ANSI A112.18.1/B125



DRAINS, BOX PATTERN, LEVER AND TWIST HANDLE D23/D63 SERIES



Overflow Assembly



Model No.	Drain Type	Handle Style	Sink Opening Dia.	NPS	Strainer Type	
D23-4161	No Overflow	Lever	6-1/2" (165mm)	1-1/2" (38mm)	Multiple	
D23-4160				2" (51mm)		
D23-4151	Overflow Outlet			1-1/2" (38mm)		
D23-4150				2" (51mm)		
D23-4591	Overflow Assembly			1-1/2" (38mm)		
D23-4590				2" (51mm)		
D63-4161	No Overflow		Twist	6-1/2" (165mm)	1-1/2" (38mm)	Multiple
D63-4160					2" (51mm)	
D63-4151	Overflow Outlet				1-1/2" (38mm)	
D63-4150					2" (51mm)	
D63-4591	Overflow Assembly	1-1/2" (38mm)				
D63-4590		2" (51mm)				

For additional technical information visit our website for specification sheets.

DRAINS, SPECIAL PURPOSE D34/D36/D83 SERIES



D34-4161



D34-Y011



D34-Y011-MM



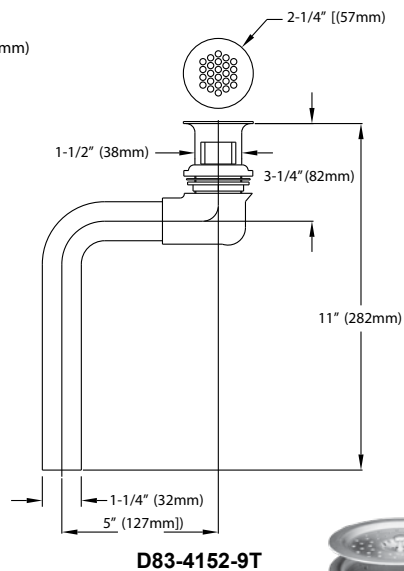
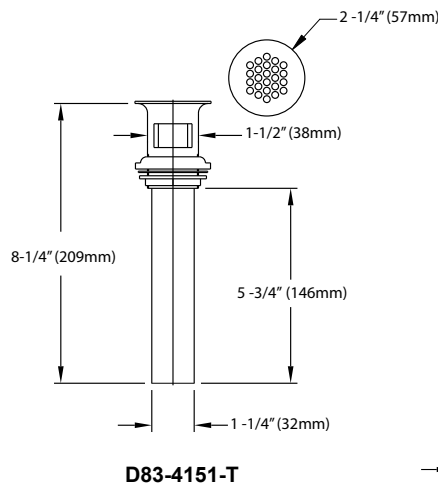
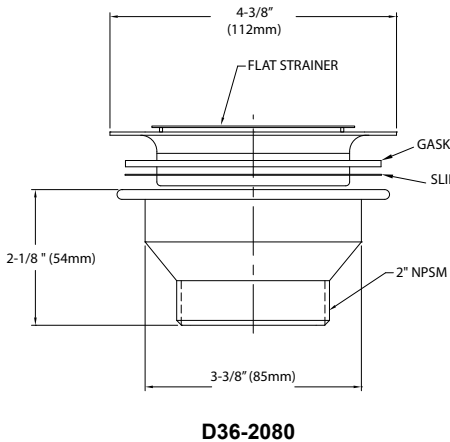
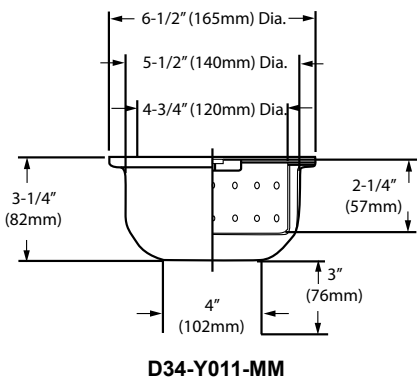
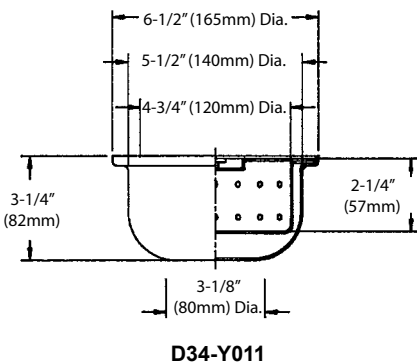
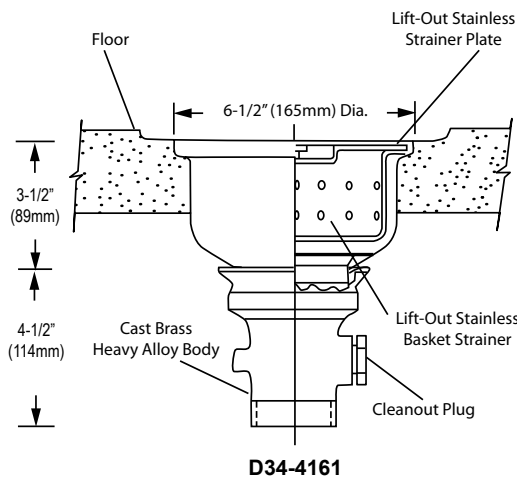
D36-2080



D83-4151-T



D83-4152-9T

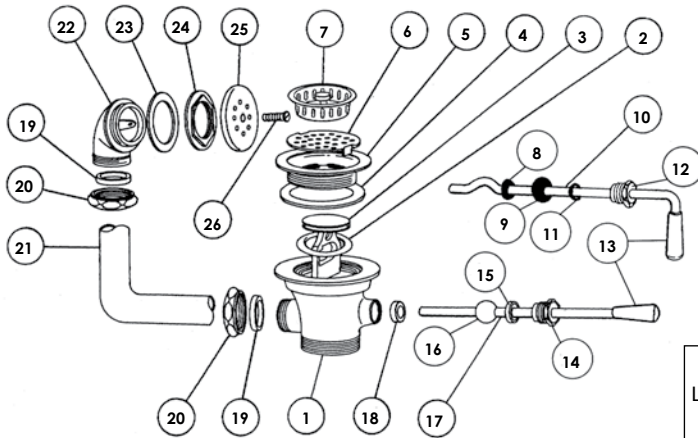


**Stainless Steel
Box Pattern Drain**

Model	Description
D34-X015	Bowl
D34-X016	Basket
D34-X017	Cover

Model No.	Drain Type	Sink Opening Dia.	NPS	Strainer Type
D34-4161	Open Floor	6-1/2" (165mm)	1-1/2" (38mm) & 2" (51mm)	Multiple
D34-4060			2" (51mm) & 2-1/2" (64mm)	
D34-Y011	Basket	6-1/2" (165mm)	—	Multiple
D34-Y011-MM			—	
D36-2080	Free Flow	3-1/8" (79mm)	2" (51mm)	Flat
D83-4151-T	Lavatory Grid	2-1/4" (57mm)	1-1/2" (38mm)	Flat
D83-4152-9T	Lavatory Offset Grid			

For additional technical information visit our website for specification sheets.



*Parts included in
Lever Twist Drain Repair Kit
D10-0010

Item No.	3" (76mm) Sink Opening Part No.	3-1/2" (89mm) Sink Opening Part No.	Description
1	D10-X007-U	D10-X008-U	1-1/2" NPS Waste Outlet Body Without Overflow Outlet (not shown)
1	D10-X007-U	D10-X008-U	2" NPS Waste Outlet Body Without Overflow Outlet (not shown)
1	D10-X007-U	D10-X008-U	1-1/2" NPS Waste Outlet Body With Overflow Outlet
1	D10-X007-U	D10-X008-U	2" NPS Waste Outlet Body With Overflow Outlet
2	D10-X021*	D10-X021*	Stopper "O" Ring, Neoprene
3	D10-Y001	D10-Y001	Stem Valve with "O-Ring"
4	D10-X009*	D10-X010*	Head Gasket
5	D10-X011	D10-X012	Face Flange, Stainless Steel
6	D10-X013	D10-X014	Flat Strainer, Stainless Steel
7	—	D13-0002	Crumb Cup Strainer, Stainless Steel
8	D50-X005*	D50-X005*	E-Ring
9	D50-X010	D50-X010	Washer
10	D50-0001	D50-0001	Twist Handle Assembly - 12" (305mm)
10	D50-0001-SP1	D50-0001-SP1	Twist Handle Assembly - 9" (229mm)
10	D50-0003	D50-0003	Twist Handle Assembly - 19-1/2" (495mm)
11	D50-X007*	D50-X007*	Rubber O-Ring
12	D50-X006	D50-X006	Packing Nut (Brass) Twist Model
13	D10-X026	D10-X026	Black Thermoplastic Knob
14	D10-X029	D10-X029	Packing Nut (Brass) Lever Model
15	D10-X027*	D10-X027*	Packing Nut Bushing
16	D10-X030	D10-X030	Brass Ball
17	D10-0001	D10-0001	Lever Handle Assembly - 10-1/2" (267mm)
18	D10-X025*	D10-X025*	Body Bushing (Lever Model)
19	D10-X022*	D10-X022*	Slip Joint Washer
20	D10-X023	D10-X023	Slip Joint Locknut
21	E48-4660	E48-4660	One Piece Overflow Elbow
22	E50-4580	E50-4580	Overflow Head for 1-1/4" (32mm) Tubing
23	E01-4091	E01-4091	Gasket
24	E02-4091	E02-4091	Flanged Locknut
25	E50-X003	E50-X003	Stainless Steel Strainer for Overflow Head
26	E50-X004	E50-X004	Strainer Mounting Screw



Lever Twist Drain Repair Kit

Model	Description
D10-0010	Includes one of each listed below
	Stopper "O" Ring, Neoprene
	Head Gasket for 3" Opening
	Head Gasket for 3-1/2" Opening
	E-Ring
	Rubber O-Ring
	Packing Nut Bushing
	Body Bushing (Lever Model)
	Slip Joint Washer
	Washer
	Black Thermoplastic Knob
	Paper Washer 3" Face Flange
	Paper Washer 3-1/2" Face Flange



Optional Nickel Plated Brass and Plastic Reducers

Model	Size
E30-7744	Brass 2" NPS Female to 1-1/2" NPT Male
E30-7745	Male to Male Adapter
DPL-Y006	Plastic 2" NPS Female to 1-1/2" NPT Male



10-1/2" (267mm) Lever Handle Assembly

Model	Description
D10-0001	



Twist Handle Assembly

Model	Description
D50-0001	12" (305mm)
D50-0001-SP1	9" (229mm)
D50-0003	19-1/2" (495mm)
D50-0005	15-3/4" (400mm)
D50-0006	18-3/4" (476mm)



3-1/2" Stainless Steel Crumb Cup Strainer

Model D13-0002



Rubber O-Ring for Twist Handle

Model D50-X007



Washer for Twist Handle

Model D50-X010

ACCESSORIES FOR DRAINS

REPAIR PARTS FOR DSS AND DBN DRAINS



Retainer Screw, Stainless Steel, 8-32		
Model	DSS-X031	Ref. 1



Retainer, Stainless Steel		
Model	DSS-X004	Ref. 2



Back-Up Ring		
Model	DSS-X027	Ref. 3



Stainless Steel Ball		
Model	DSS-X002	Ref. 4



Overflow Cap w/ Washer, Stainless Steel		
Model	DBN-Y008	Ref. 5



Slip Ring, Mylar, .007" Thick		
Model	DSS-X022	Ref. 6



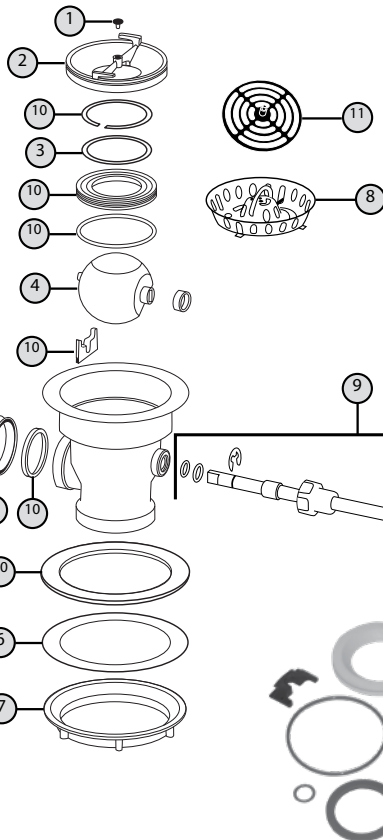
Flange Nut, Stainless Steel		
Model	DSS-X018	Ref. 7



Stainless Steel Strainer with Ball Handle		
Model	DSS-Y003	Ref. 8



Handle Assembly		
Model	Description	Ref. 9
DSS-Y002	12" (305mm)	
DSS-Y002-SP1	5" (127mm)	
DSS-Y002-SP2	18" (457mm)	



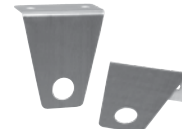
Stainless Steel Flat Strainer		
Model	DSS-Y007	Ref. 11



Strainer Retainer Kit		
Model	DSS-Y006	



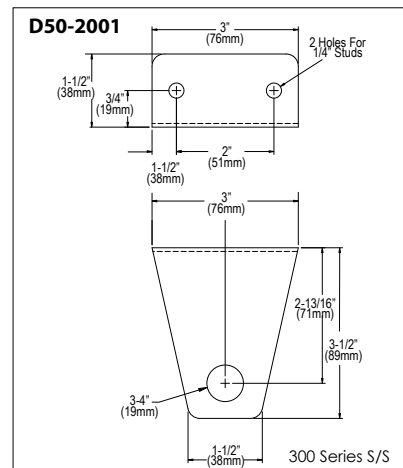
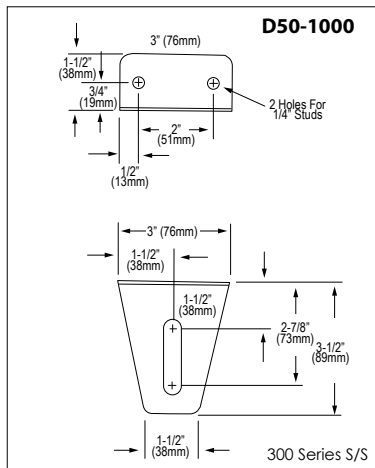
Universal S/S Drain Handle Support For Lever Handle Outlets		
Model	Gauge	Finish
D50-1000	14	Satin



Universal S/S Drain Handle Support For Twist and Rotary Drain Outlets		
Model	Gauge	Finish
D50-2001	14	Satin

DSS/DBN Drain Repair Kit		
Model	DSS-0010	Ref. 10

Includes: Wave Spring, Seat, O-Ring, Trunion, Washer, Head Gasket





Clean Out Plug, D34 Series

Model D34-X001



3" (76mm) Drain Body with Overflow

Model D10-X007-U



3-1/2" (89mm) Drain Body with Overflow

Model D10-X008-U



3" (76mm) Head Gasket

Model D10-X009



3-1/2" (89mm) Head Gasket

Model D10-X010



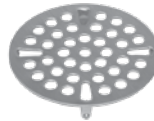
3" (76mm) Stainless Steel Face Flange

Model D10-X011



3-1/2" (89mm) Stainless Steel Face Flange

Model D10-X012



3" (76mm) Stainless Steel Flat Strainer

Model D10-X013



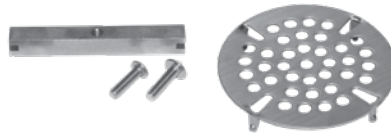
3-1/2" (89mm) Stainless Steel Flat Strainer

Model D10-X014



**Vandal Resistant Locking Flat Strainer
For 3" (76mm)**

Model D10-X013-VP



**Vandal Resistant Locking Flat Strainer
For 3-1/2" (89mm) Drain**

Model D10-X014-VP



Lever/Twist Drain Tool

Model D10-T001

For installation or repair of all lever and twist drains



O-Ring, Stem Valve

Model D10-X021



Washer, Slip Joint

Model D10-X022



Lock Nut, Slip Joint

Model D10-X023



Body Bushing, Lever Model

Model D10-X025



Black Phenolic Handle Only

Model D10-X026



Packing Nut, Bushing, Lever

Model D10-X027



Packing Nut, Brass, Lever

Model D10-X029



Brass Ball, Lever Model

Model D10-X030



Stem Valve with O-Ring

Model D10-Y001

ACCESSORIES FOR DRAINS

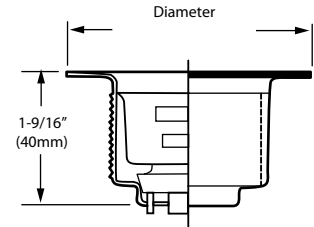


Stainless Steel Duo Mini Basket Drains with Combination Removable Crumb Cup Stopper

Model	Sink Opening	NPS	Face Flange Dia
E18-1824	1-7/8" (48mm)	1-1/2"	2-7/8" (73mm)
E18-1822*	1-7/8" (48mm)	1-1/2"	2-7/8" (73mm)
E18-1822-FL*	1-7/8" (48mm)	1-1/2"	2-3/8" (60mm)

* Furnished without crumb cup stopper/locknut and washer supplied (Brass locknut available on application).

- Locknut and washer supplied
- Brass locknut available upon application
- 7-1/2", 10" and 12" (190mm, 254mm and 305mm) high overflows available



Replacement Crumb Cup

Model	E18-1840
-------	----------

Flat Strainer

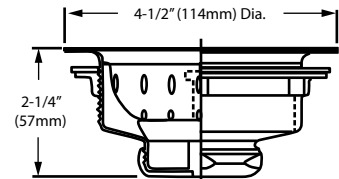
Model	E18-1850
-------	----------

Stainless Steel Duo Basket Drains with Combination Removable Crumb Cup Stopper

Model	Sink Opening	NPS	Face Flange Dia
E38-1010*	3.5 (89mm)	1-1/2"	4-1/2" (114mm)
E38-1012**	3.5 (89mm)	1-1/2"	4-1/2" (114mm)

* Type 430 stainless steel, contains 16-18% chromium
** Type 18-8 stainless steel

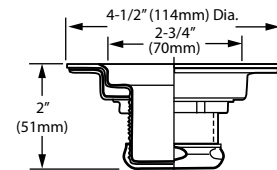
- Coupling nut, gasket and sealing washer supplied
- Brass coupling nut available on application



Stainless Steel Flat Strainer Drain for 3-12" to 4" (89mm - 102mm) Openings

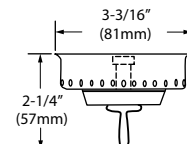
Model	Sink Opening	NPS
E32-4900	3-1/2" - 4" (89mm - 102mm)	1-1/2"

- Locknut, washer and coupling nut supplied



Stainless Steel Replacement Crumb Cup

Model	Sink Opening	NPS
E38-4891	3-1/2" - 4" (89mm - 102mm)	1-1/2"



Sink Drains, Brass Nickel Plated and ABS Thermoplastic



Model No.	Size	Sink Opening DIA	Face Flange DIA	Length	Material
E16-4171	1/2" NPS*	15/16" (24mm)	1-1/4" (32mm)	2" (51mm)	Brass
E16-4172	1/2" NPS*	15/16" (24mm)	1-1/4" (32mm)	2" (51mm)	Brass N.P.
E16-4173	1/2" NPS*	15/16" (24mm)	1-1/4" (32mm)	3-1/2" (89mm)	Brass
E16-4174	1/2" NPS*	15/16" (24mm)	1-1/4" (32mm)	3-1/2" (89mm)	Brass N.P.
E16-4210	3/4" NPS	1-1/8" NPS	1-1/2" (38mm)	1-1/4" (32mm)	Brass
E16-3010+	1" NPS	1-3/8" (35mm)	2" (51mm)	1-1/2" (38mm)	Gray ABS
E16-4010	1" NPS	1-3/8" (35mm)	2" (51mm)	1-1/2" (38mm)	Brass
E16-4011	1" NPS	1-3/8" (35mm)	2" (51mm)	1-1/2" (38mm)	Brass N.P.
E16-3020+	1" NPS	1-3/8" (35mm)	2" (51mm)	2-7/8" (73mm)	Gray ABS
E16-4020	1" NPS	1-3/8" (35mm)	2" (51mm)	3-1/4" (82mm)	Brass
E16-4021	1" NPS	1-3/8" (35mm)	2" (51mm)	3-1/4" (82mm)	Brass N.P.
E16-4030	1" NPS	1-3/8" (35mm)	2" (51mm)	4" (102mm)	Brass
E16-4031	1" NPS	1-3/8" (35mm)	2" (51mm)	4" (102mm)	Brass N.P.
E16-4050	1-1/2" NPS	2" (51mm)	3" (76mm)	1-1/2" (38mm)	Brass
E16-4051	1-1/2" NPS	2" (51mm)	3" (76mm)	1-1/2" (38mm)	Brass N.P.
E16-4055	1-1/2" NPS	2" (51mm)	3" (76mm)	3" (76mm)	Brass
E16-4056	1-1/2" NPS	2" (51mm)	3" (76mm)	3" (76mm)	Brass N.P.
E16-4060	2"NPS*	2-1/2" (65mm)	3-1/2" (89mm)	2" (51mm)	Brass
E16-4061	2"NPS*	2-1/2" (65mm)	3-1/2" (89mm)	2" (51mm)	Brass N.P.

Note: + = Gray ABS Thermoplastic
 *2" (51mm) drains are furnished with locknut and washer.

Brass and Rubber Stoppers for 1" and 1-1/2" NPS Drains



Model	Size	Material
E60-4081	1" NPS	Brass
E60-4082	1" NPS	Brass N.P.
E60-4083	1" NPS	Rubber
E60-4085	1-1/2" NPS	Brass N.P.
E60-4088	1-1/2" NPS	Brass



Stainless Steel Strainer for 3/4" (19mm) Sink Drain

Model E16-4200



Washers and Locknuts for 1", 1-1/2" and 2" NPS Drains

Rubber Washers		Flanged Brass Locknuts		Flanged Locknuts Zinc	
Model	Size	Model	Size	Model	Size
E01-4090	1" NPS	E02-4090-BR	1" NPS	E02-4090	1" NPS
E01-4091	1-1/2" NPS	E02-4091-BR	1-1/2" NPS	E02-4091	1-1/2" NPS
E01-4092	2" NPS			E02-4092	2" NPS

ACCESSORIES FOR DRAINS



Brass Overflow Tubes 1" and 1-1/2" NPS Drains			
Model No.	Size	Length	Seat Material
E15-0222*	1" NPS	7" (178 mm)	PVC
E15-0220*	1" NPS	9" (229 mm)	PVC
E15-0240**	1-1/2" NPS	7-1/2" (190mm)	PVC
E15-0242**	1-1/2" NPS	10" (254mm)	PVC
E15-0244**	1-1/2" NPS	12" (305mm)	PVC

Note:

*E15-0220 and E15-0222 are furnished with overflow strainer

**Will only fit Model No. E18-1822 stainless steel drain



Stainless Steel Overflow Tubes 1" and 1-1/2" NPS Drains			
Model	Size	Length	Seat Material
E13-0240	1-1/2" NPS	7-1/2" (190mm)	Swedged
E13-0242	1-1/2" NPS	10" (254mm)	Swedged
E13-0244	1-1/2" NPS	12" (305mm)	Swedged

Note: All E13 series overflow tubes will only fit Model No. E18-1822 Stainless steel drain

Type 304 Stainless Steel, Schedule 40

Model	Size
E19-0383	3/8" NPT x 3" (76mm)
E19-0384	3/8" NPT x 4" (102mm)
E19-0386	3/8" NPT x 6" (152mm)
E19-0123	1/2" NPT x 3" (76mm)
E19-0124	1/2" NPT x 4" (102mm)
E19-0126	1/2" NPT x 6" (152mm)
E19-0344	3/4" NPT x 4" (102mm)
E19-0346	3/4" NPT x 6" (152mm)
E19-0348	3/4" NPT x 8" (203mm)
E19-1003	1" NPT x 3" (76mm)
E19-1004	1" NPT x 4" (102mm)
E19-1006	1" NPT x 6" (152mm)
E19-1008	1" NPT x 8" (203mm)
E19-1123	1-1/2" NPT x 3" (76mm)
E19-1124	1-1/2" NPT x 4" (102mm)
E19-1126	1-1/2" NPT x 6" (152mm)
E19-2003	2" NPT x 3" (76mm)
E19-2004	2" NPT x 4" (102mm)
E19-1000	1" (25mm) Nipple Strainer

Type 304 Stainless Steel, Schedule 40

Model	Size
E20-0380	3/8" NPT
E20-0120	1/2" NPT
E20-0340	3/4" NPT
E20-1000	1" NPT
E20-1120	1-1/2" NPT



Overflow Elbow

Model E48-4660



Overflow Head

Model E50-4580



Stainless Steel Strainer for Overflow Head

Model E50-X003



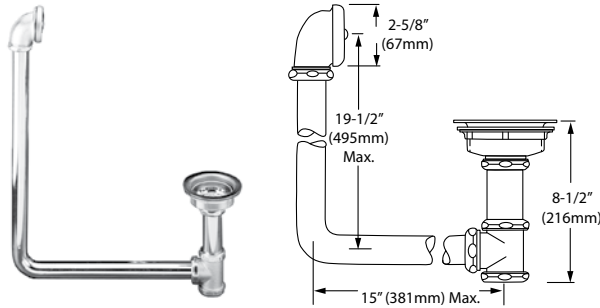
Mounting Screw for Strainer

Model E50-X004



Overflow Assembly for Sinkmate

Model E52-1000

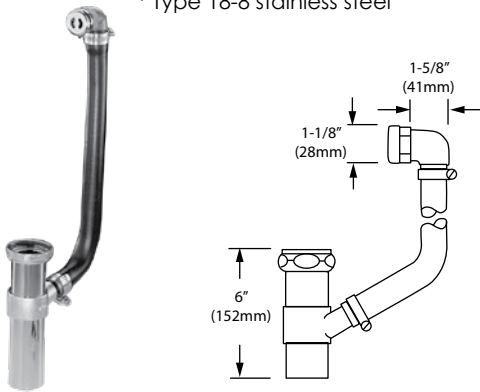


Stainless Steel Duo Basket Drains with Overflow Assembly

Model	Sink Opening	NPS	Face Flange Dia
E40-4890	3-1/2" (89mm)	1-1/2"	4-1/2" (114mm)
E40-4895*	3-1/2" (89mm)	1-1/2"	4-1/2" (114mm)

Note: Furnished with overflow, brass tubing, "T" joint, coupling nuts, gaskets and sealing washers.

* Type 18-8 stainless steel



Optional Overflow Assembly for 1-1/2" (38mm) Drains

Model	E51-1000
-------	----------

For use with lever/twist handle drains, basket drains and sink drains

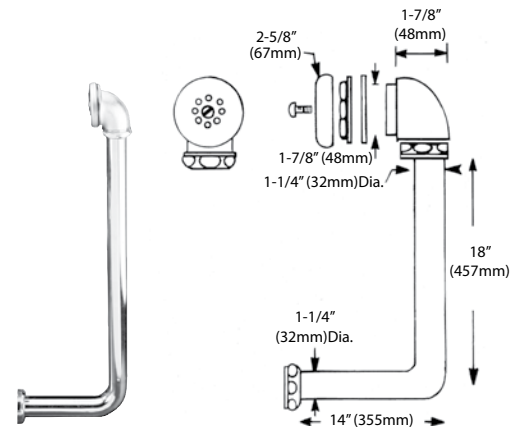
- Rubber O-ring • Economical • Easy installation
- Eliminates overflow tubes • Maximizes sink space

Overflow consists of nickel plated brass branch tailpiece sub assembly, (2) stainless steel clamps, 32" (815mm) long rubber hose and chrome plated ABS overflow head. 7/8 hole punch for overflow.



Overflow Head Assembly for Mini Lever Drain

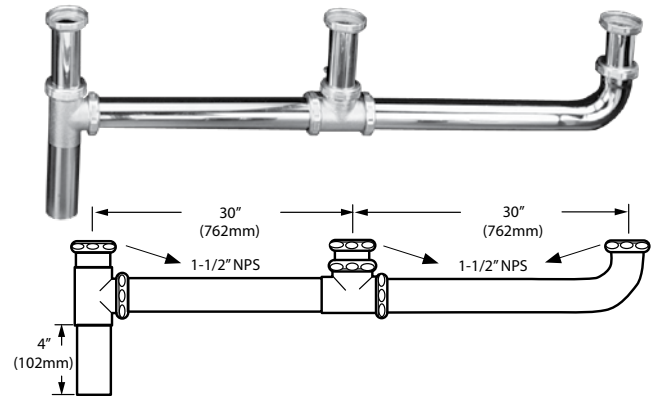
Model	E50-1010
-------	----------



Optional Overflow Assembly for Lever, Twist & Rotary Drains

Model	E50-1000
-------	----------

- Brass nickel plated w/stainless steel faceplate
- Brass nickel plated elbow 1-1/4" (32mm) O.D. tubing
- 1-5/16" (49mm) Dia. opening required slip fit for 1-1/4" (32mm) O.D. tubing



Universal Continuous Waste

Model	E30-7703
-------	----------

- Chrome plated brass • End outlet, 3 compartment



Brass and Nickel Plated Brass Tailpiece Assemblies for 1-1/2" (38mm) and 2" (51mm) Drains

Model	Size	Length	Material
E22-4070	1" NPS	2" (51mm)	Brass
E22-4071	1" NPS	2" (51mm)	Brass N.P.
E22-4120	1-1/2" NPS	4" (102mm)	Brass
E22-4121	1-1/2" NPS	4" (102mm)	Brass N.P.
E22-4130	2" NPS	4" (102mm)	Brass
E22-4131	2" NPS	4" (102mm)	Brass N.P.

Note: All tailpieces are furnished with gasket and slipnut.

TOP-LINE® PRE-RINSE, DECK MOUNT, SINGLE PANTRY TLL20-1100 SERIES

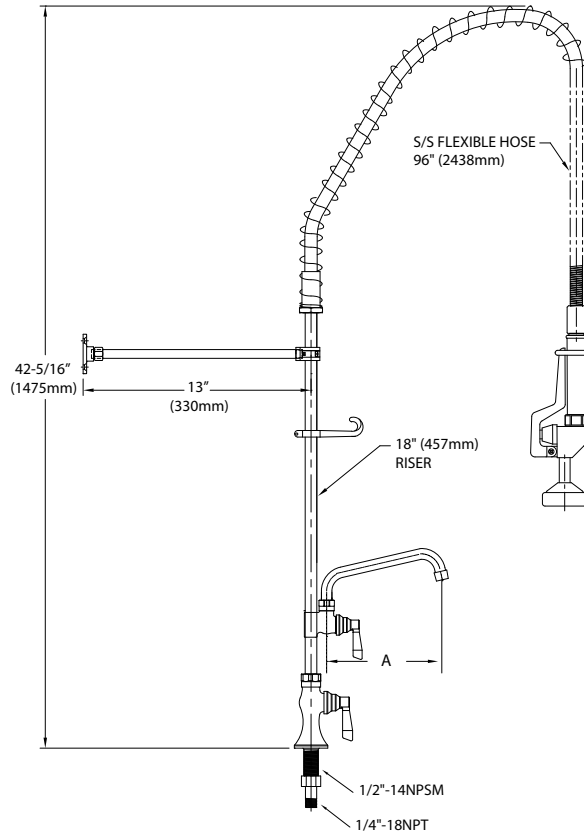
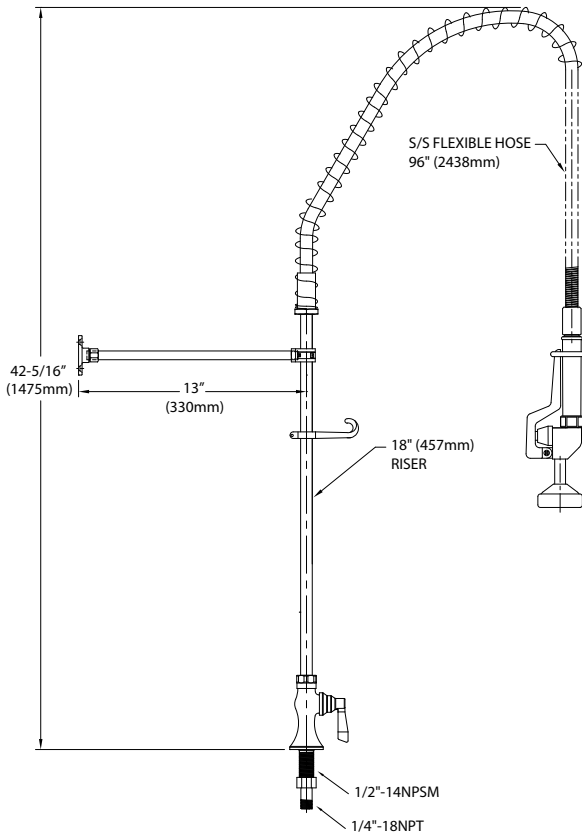


Model	Flow Rate	Valves	Spring	Wall Bracket
TLL20-1100-BR	1.6GPM	Ceramic	Chrome Plated	Yes

Approximate shipping weight - 10 lb
Warranty - 1 year parts

Model	Flow Rate	Valves	Spring	Wall Bracket	Add-On Faucet (A)
TLL20-1100-AF1	1.6GPM	Ceramic	Chrome Plated	Yes	6" (152mm)
TLL20-1100-AF2					8" (203mm)
TLL20-1100-AF3					10" (254mm)
TLL20-1100-AF4					12" (305mm)
TLL20-1100-AF5					14" (356mm)
TLL20-1100-AF6					16" (406mm)
TLL20-1100-AF7					18" (457mm)

Approximate shipping weight - 10 lb
Warranty - 1 year parts



NOTE: Uses TLL-0010 Repair Kit



TOP-LINE® PRE-RINSE, DECK MOUNT, DOUBLE PANTRY TLL50-1100 SERIES

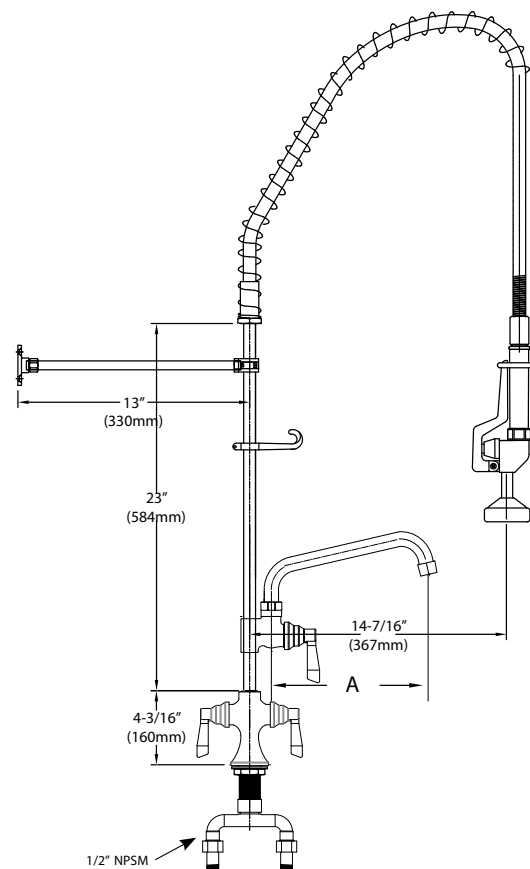
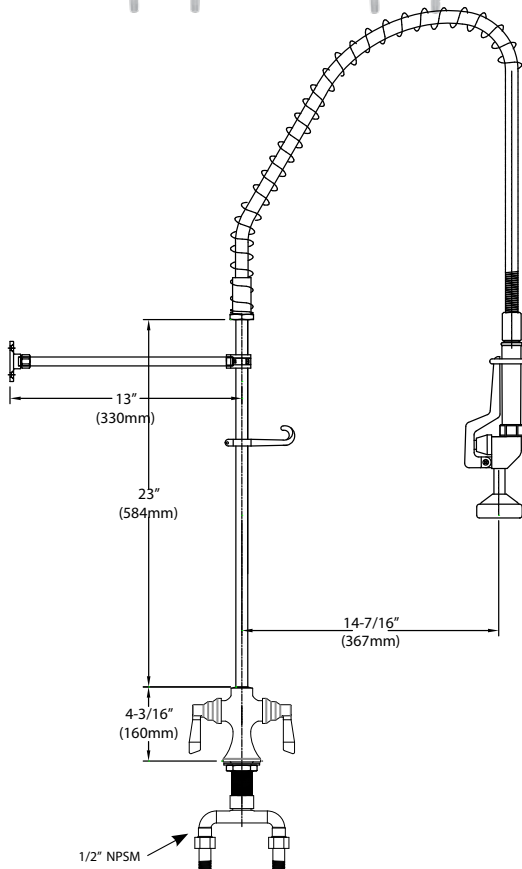


Model	Flow Rate	Valves	Spring	Wall Bracket
TLL50-1100-BR	1.6GPM	Ceramic	Chrome Plated	Yes

Approximate shipping weight - 10 lb
Warranty - 1 year parts

Model	Flow Rate	Valves	Spring	Wall Bracket	Add-On Faucet (A)
TLL50-1100-AF1	1.6GPM	Ceramic	Chrome Plated	Yes	6" (152mm)
TLL50-1100-AF2					8" (203mm)
TLL50-1100-AF3					10" (254mm)
TLL50-1100-AF4					12" (305mm)
TLL50-1100-AF5					14" (356mm)
TLL50-1100-AF6					16" (406mm)
TLL50-1100-AF7					18" (457mm)

Approximate shipping weight - 10 lb
Warranty - 1 year parts



NOTE: Uses TLL-0010 Repair Kit



TOP-LINE® PRE-RINSE, DECK MOUNT, ELEVATED BRIDGE TLL61-1100 SERIES

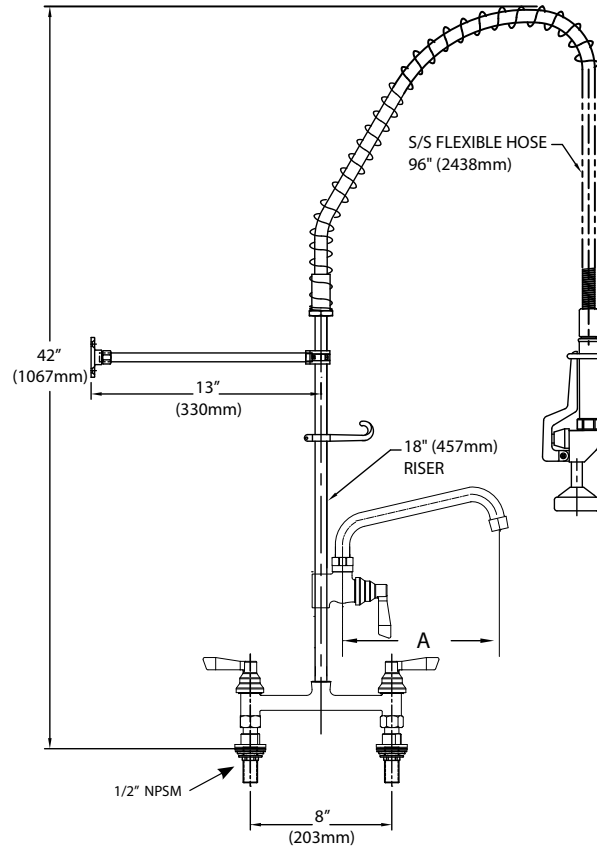
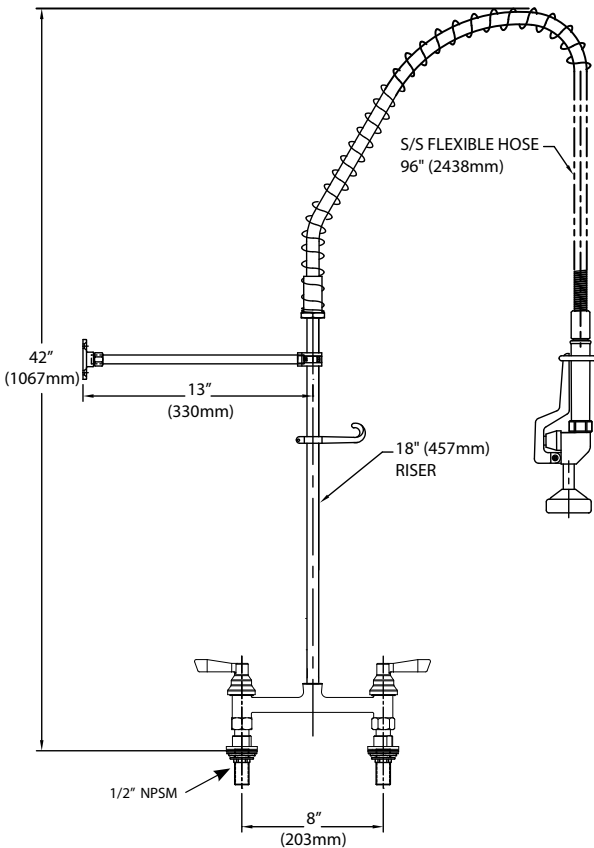


Model	Flow Rate	Valves	Spring	Wall Bracket
TLL61-1100-BR	1.6GPM	Ceramic	Chrome Plated	Yes

Approximate shipping weight - 13 lb
Warranty - 1 year parts

Model	Flow Rate	Valves	Spring	Wall Bracket	Add-On Faucet (A)
TLL61-1100-AF1	1.6GPM	Ceramic	Chrome Plated	Yes	6" (152mm)
TLL61-1100-AF2					8" (203mm)
TLL61-1100-AF3					10" (254mm)
TLL61-1100-AF4					12" (305mm)
TLL61-1100-AF5					14" (356mm)
TLL61-1100-AF6					16" (406mm)
TLL61-1100-AF7					18" (457mm)

Approximate shipping weight - 13 lb
Warranty - 1 year parts



NOTE: Uses TLL-0010 Repair Kit



TOP-LINE® PRE-RINSE, SPLASH MOUNT, 8" O.C. TLL13-1100 SERIES

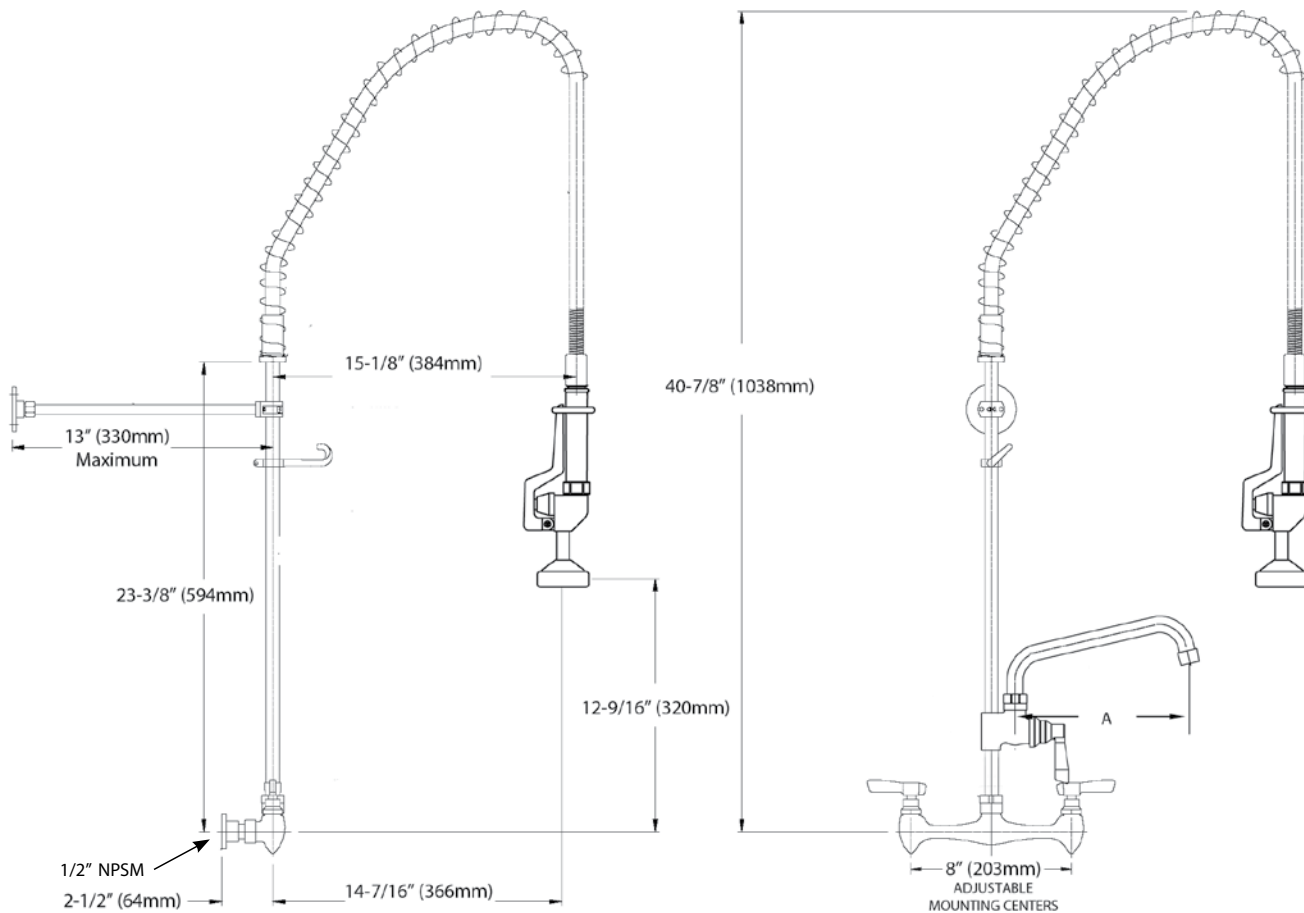


Model	Flow Rate	Valves	Spring	Wall Bracket
TLL13-1100-BR	1.6GPM	Ceramic	Chrome Plated	Yes

Approximate shipping weight - 13 lb
Warranty - 1 year parts

Model	Flow Rate	Valves	Spring	Wall Bracket	Add-On Faucet (A)
TLL13-1100-AF1	1.6GPM	Ceramic	Chrome Plated	Yes	6" (152mm)
TLL13-1100-AF2					8" (203mm)
TLL13-1100-AF3					10" (254mm)
TLL13-1100-AF4					12" (305mm)
TLL13-1100-AF5					14" (356mm)
TLL13-1100-AF6					16" (406mm)
TLL13-1100-AF7					18" (457mm)

Approximate shipping weight - 13 lb
Warranty - 1 year parts



NOTE: Uses TLL-0010 Repair Kit

For service parts breakdown, refer to page 361.



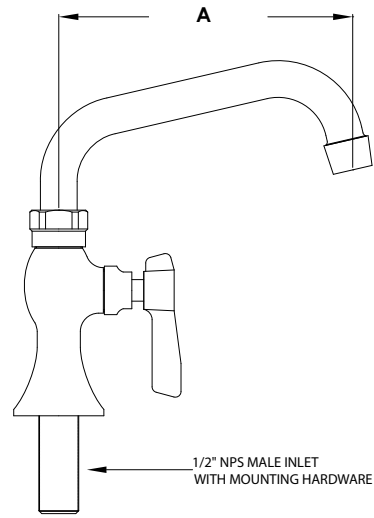
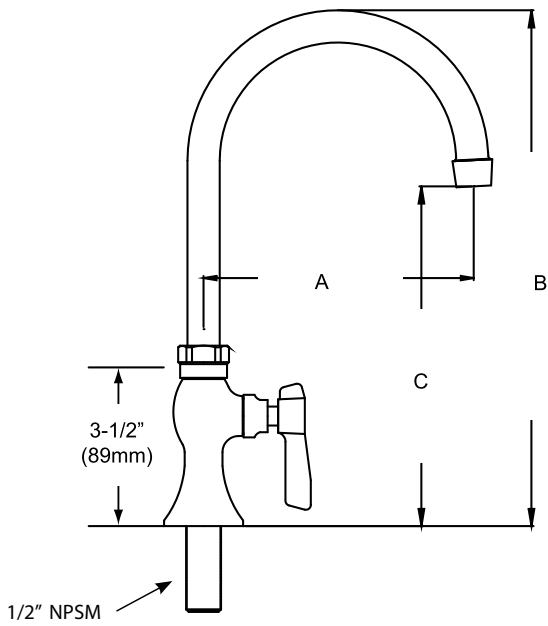
TOP-LINE® FAUCET, DECK MOUNT, SINGLE PANTRY TLL20-9100 SERIES



TLL20-9100x-SE1 Series



TLL20-91xx-SE1 Series



Model No.	Spout	Flow Rate	Handles	Valves	A	B	C
TLL20-9100-SE1	Adjustable Gooseneck	2.2GPM	Standard Lever	Ceramic	3-1/2" (89mm)	7-1/2" (191mm)	4-3/4" (121mm)
TLL20-9101-SE1					8-1/2" (216mm)	11" (279mm)	4-3/4" (121mm)
TLL20-9102-SE1					6" (152mm)	8-1/2" (216mm)	4-1/4" (108mm)
TLL20-9106-SE1	Tubular Swing	2.2GPM	Standard Lever	Ceramic	6" (152mm)	—	—
TLL20-9108-SE1					8" (203mm)		
TLL20-9110-SE1					10" (254mm)		
TLL20-9112-SE1					12" (305mm)		

For additional technical information visit our website for specification sheets.

NOTE: Uses TLL-0010 Repair Kit



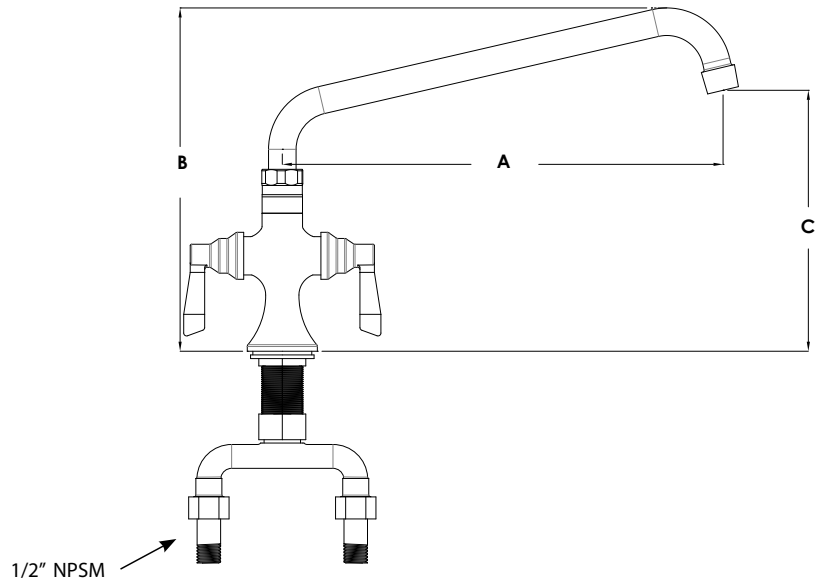
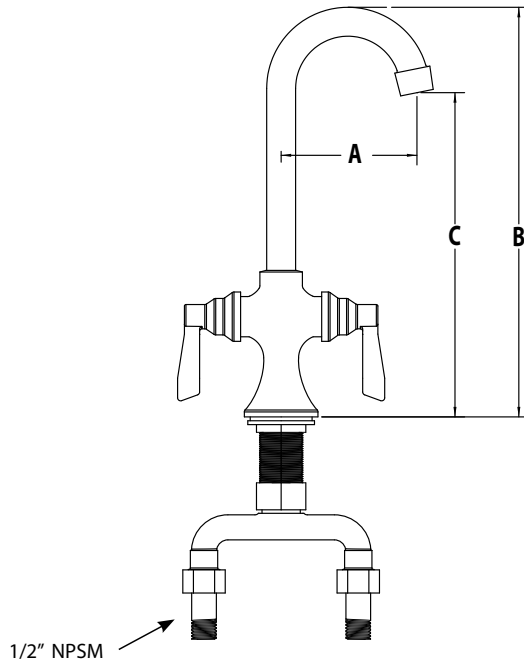
TOP-LINE® FAUCET, DECK MOUNT, DOUBLE PANTRY TLL50-9100 SERIES



TLL50-910x-SE1 Series



TLL50-91xx-SE1 Series



Model No.	Spout	Flow Rate	Handles	Valves	A	B	C
TLL50-9100-SE1	Adjustable Gooseneck	2.2GPM	Standard Lever	Ceramic	3-1/2" (89mm)	10-5/8" (270mm)	8-3/8" (213mm)
TLL50-9101-SE1					8-1/2" (216mm)	14-3/8" (365mm)	8-5/8" (219mm)
TLL50-9102-SE1					6" (152mm)	11-3/4" (289mm)	8" (203mm)
TLL50-9106-SE1	Tubular Swing	2.2GPM	Standard Lever	Ceramic	6" (152mm)	8-1/4" (210mm)	6-1/8" (156mm)
TLL50-9108-SE1					8" (203mm)	8-3/4" (222mm)	6-3/8" (162mm)
TLL50-9110-SE1					10" (254mm)	9" (229mm)	6-7/8" (175mm)
TLL50-9112-SE1					12" (305mm)	9-1/2" (241mm)	7-1/4" (184mm)
TLL50-9114-SE1					14" (356mm)	9-3/4" (248mm)	7-1/2" (191mm)

For additional technical information visit our website for specification sheets.

NOTE: Uses TLL-0010 Repair Kit



TOP-LINE® FAUCET, DECK MOUNT, 4" O.C. TLL11-4100 SERIES



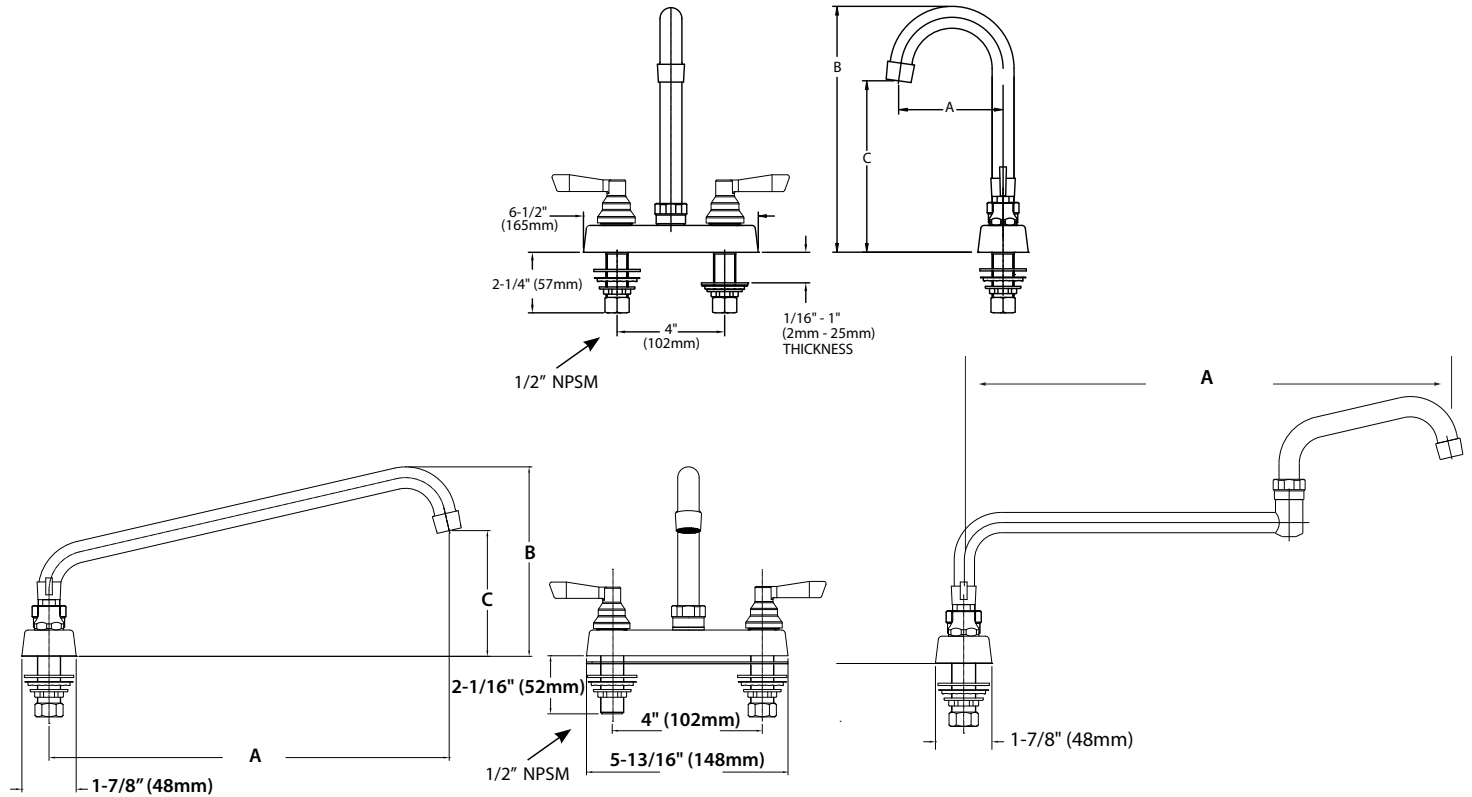
TLL11-410x-SE1 Series



TLL11-41xx-SE1 Series



TLL11-41xx-SE1 Series



Model No.	Spout	Flow Rate	Handles	Valves	A	B	C
TLL11-4100-SE1	Adjustable Gooseneck	2.2GPM	Standard Lever	Ceramic	3-1/2" (89mm)	7-1/2" (191mm)	4-3/4" (121mm)
TLL11-4101-SE1					8-1/2" (216mm)	11" (279mm)	4-3/4" (121mm)
TLL11-4102-SE1					6" (152mm)	8-1/2" (216mm)	4-1/4" (108mm)
TLL11-4106-SE1	Tubular Swing	2.2GPM	Standard Lever	Ceramic	6" (152mm)	4-7/8" (124mm)	2-5/8" (67mm)
TLL11-4108-SE1					8" (203mm)	5-3/8" (136mm)	3-1/8" (79mm)
TLL11-4110-SE1					10" (254mm)	5-13/16" (148mm)	3-9/16" (90mm)
TLL11-4112-SE1					12" (305mm)	6-1/4" (159mm)	4" (102mm)
TLL11-4114-SE1					14" (356mm)	5-5/8" (168mm)	4-7/16" (112mm)
TLL11-4116-SE1					16" (406mm)	7-1/16" (180mm)	4-7/8" (123mm)
TLL11-4118-SE1					Double Jointed Tubular Swing	2.2GPM	Standard Lever
TLL11-4124-SE1	24" (609mm)	—	—				

For additional technical information visit our website for specification sheets.

NOTE: Uses TLL-0010 Repair Kit



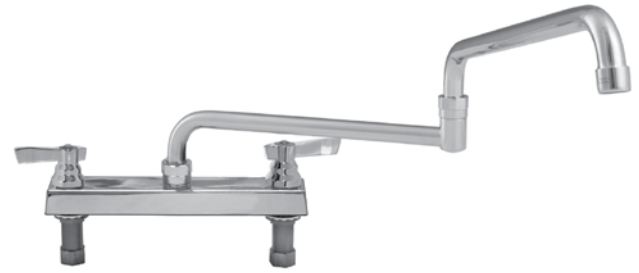
TOP-LINE® FAUCET, DECK MOUNT, 8" O.C. TLL11-8100 SERIES



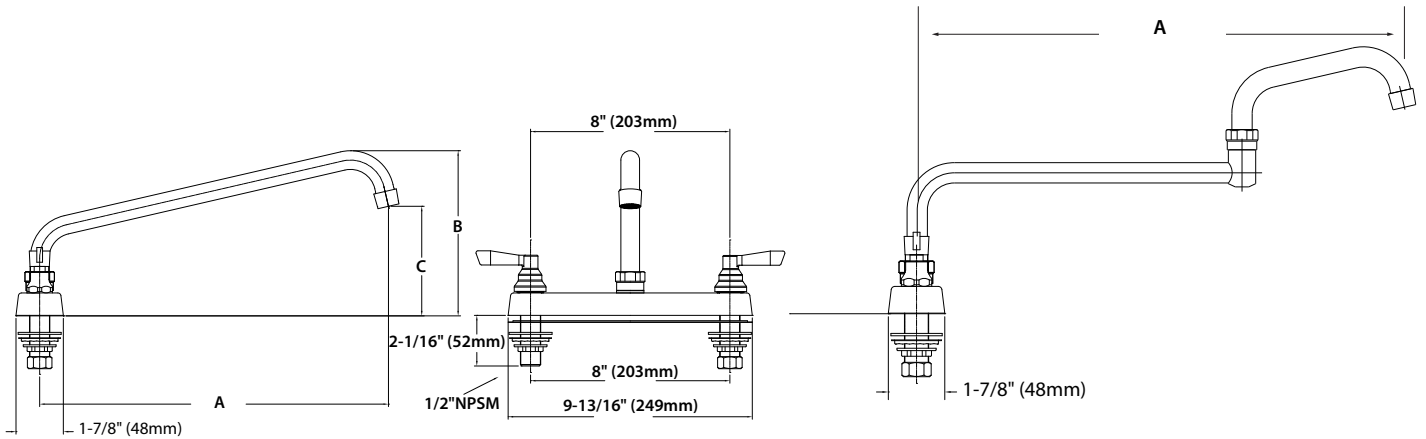
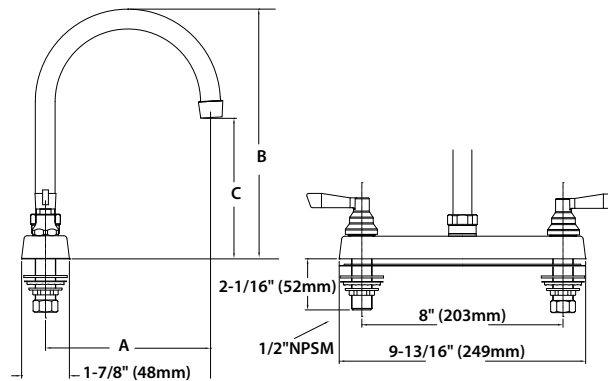
TLL11-810x-SE1 Series



TLL11-81xx-SE1 Series



TLL11-81xx-SE1 Series



Model No.	Spout	Flow Rate	Handles	Valves	A	B	C
TLL11-8100-SE1	Adjustable Gooseneck	2.2GPM	Standard Lever	Ceramic	3-1/2" (89mm)	7-1/2" (191mm)	4-3/4" (121mm)
TLL11-8101-SE1					8-1/2" (216mm)	11" (279mm)	4-3/4" (121mm)
TLL11-8102-SE1					6" (152mm)	8-1/2" (216mm)	4-3/4" (121mm)
TLL11-8106-SE1	Tubular Swing	2.2GPM	Standard Lever	Ceramic	6" (152mm)	4-7/8" (124mm)	2-5/8" (67mm)
TLL11-8108-SE1					8" (203mm)	5-3/8" (136mm)	3-1/8" (79mm)
TLL11-8110-SE1					10" (254mm)	5-13/16" (148mm)	3-9/16" (90mm)
TLL11-8112-SE1					12" (305mm)	6-1/4" (159mm)	4" (102mm)
TLL11-8114-SE1					14" (356mm)	5-5/8" (168mm)	4-7/16" (112mm)
TLL11-8118-SE1	Double Jointed Tubular Swing	2.2GPM	Standard Lever	Ceramic	18" (457mm)	—	—

For additional technical information visit our website for specification sheets.

NOTE: Uses TLL-0010 Repair Kit



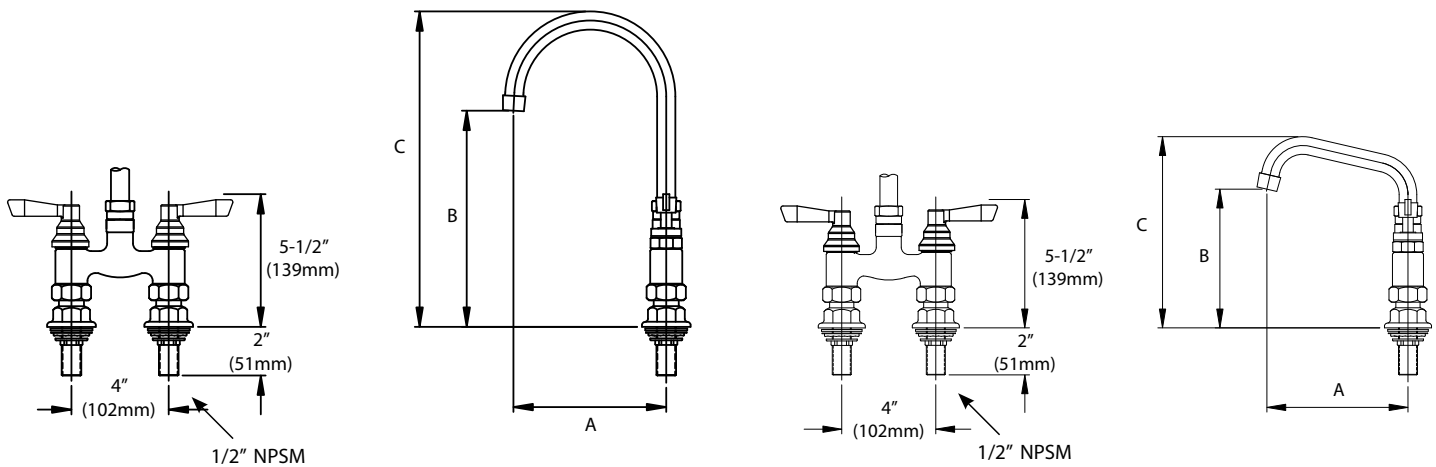
TOP-LINE® FAUCET, DECK MOUNT, ELEVATED BRIDGE, 4" O.C. TLL57-4100 SERIES



TLL57-410x-SE1 Series



TLL57-41xx-SE1 Series



Model No.	Spout	Flow Rate	Handles	Valves	A	B	C
TLL57-4100-SE1	Adjustable Gooseneck	2.2GPM	Standard Lever	Ceramic	3-1/2" (89mm)	8-3/8" (213mm)	10-3/4" (273mm)
TLL57-4101-SE1					8-1/2" (216mm)	8-5/8" (219mm)	14-1/4" (362mm)
TLL57-4102-SE1					6" (152mm)	7-3/4" (197mm)	11-5/8" (295mm)
TLL57-4106-SE1	Tubular Swing	2.2GPM	Standard Lever	Ceramic	6" (152mm)	5-7/8" (150mm)	8-1/8" (207mm)
TLL57-4108-SE1					8" (203mm)	6-3/8" (162mm)	8-5/8" (219mm)
TLL57-4110-SE1					10" (254mm)	6-13/16" (173mm)	9-1/16" (230mm)
TLL57-4112-SE1					12" (305mm)	7-5/16" (185mm)	9-9/16" (243mm)
TLL57-4114-SE1					14" (356mm)	7-3/4" (197mm)	10" (254mm)
TLL57-4116-SE1					16" (406mm)	8-3/16" (208mm)	10-7/16" (265mm)

For additional technical information visit our website for specification sheets.

NOTE: Uses TLL-0010 Repair Kit



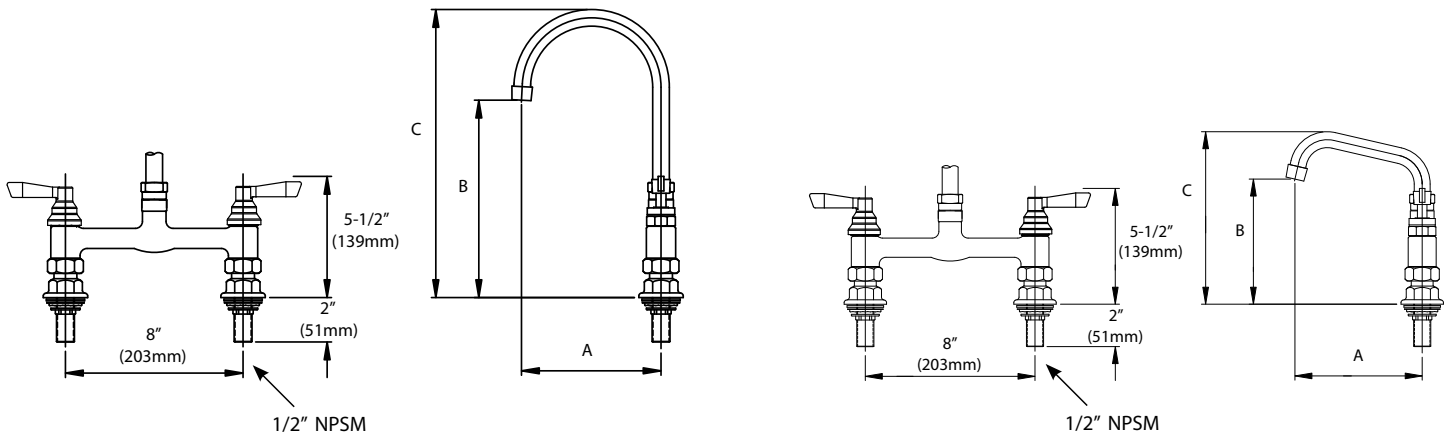
TOP-LINE® FAUCET, DECK MOUNT, ELEVATED BRIDGE, 8" O.C. TLL61-8100 SERIES



TLL61-810x-SE1 Series



TLL61-81xx-SE1 Series



Model No.	Spout	Flow Rate	Handles	Valves	A	B	C
TLL61-8100-SE1	Adjustable Gooseneck	2.2GPM	Standard Lever	Ceramic	3-1/2" (89mm)	8-1/4" (210mm)	10-5/8" (270mm)
TLL61-8101-SE1					8-1/2" (216mm)	8-1/2" (216mm)	14-3/8" (365mm)
TLL61-8102-SE1					6" (152mm)	7-7/8" (200mm)	11-5/8" (295mm)
TLL61-8106-SE1	Tubular Swing	2.2GPM	Standard Lever	Ceramic	6" (152mm)	5-3/4" (146mm)	8" (203mm)
TLL61-8108-SE1					8" (203mm)	6-1/4" (159mm)	8-1/2" (215mm)
TLL61-8110-SE1					10" (254mm)	6-11/16" (169mm)	8-7/8" (226mm)
TLL61-8112-SE1					12" (305mm)	7-3/16" (183mm)	9-1/4" (235mm)
TLL61-8114-SE1					14" (356mm)	7-9/16" (193mm)	9-13/16" (249mm)
TLL61-8116-SE1					16" (406mm)	8-1/16" (204mm)	10-1/4" (261mm)

For additional technical information visit our website for specification sheets.

NOTE: Uses TLL-0010 Repair Kit



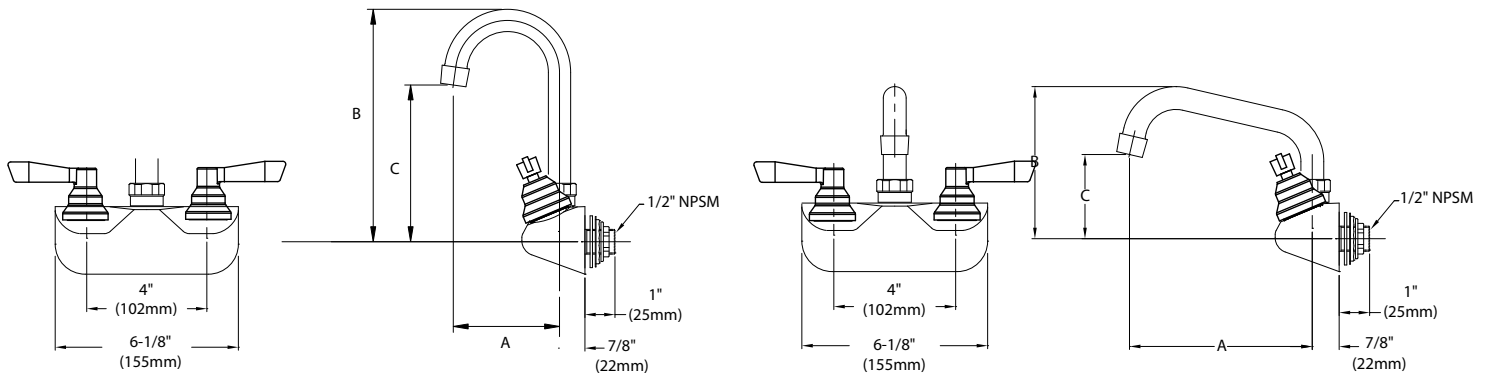
TOP-LINE® FAUCET, SPLASH MOUNT, 4" O.C. TLL15-4100 SERIES



TLL15-410x-SE1 Series



TLL15-41xx-SE1 Series



Model No.	Spout	Flow Rate	Handles	Valves	A	B	C
TLL15-4100-SE1	Adjustable Gooseneck	2.2GPM	Standard Lever	Ceramic	3-1/2" (89mm)	8-1/4" (210mm)	5-1/2" (140mm)
TLL15-4101-SE1					8-1/2" (216mm)	12" (305mm)	6-1/2" (165mm)
TLL15-4102-SE1					6" (152mm)	9-1/4" (235mm)	5-1/4" (133mm)
TLL15-4106-SE1	Tubular Swing	2.2GPM	Standard Lever	Ceramic	6" (152mm)	5" (127mm)	2-3/4" (70mm)
TLL15-4108-SE1					8" (203mm)	5-7/16" (139mm)	3-1/4" (82mm)
TLL15-4110-SE1					10" (254mm)	5-15/16" (150mm)	3-11/16" (94mm)
TLL15-4112-SE1					12" (305mm)	6-3/8" (162mm)	4-1/8" (105mm)
TLL15-4114-SE1					14" (356mm)	6-13/16" (174mm)	4-5/8" (117mm)
TLL15-4116-SE1					16" (406mm)	7-5/16" (185mm)	5-1/16" (129mm)

For additional technical information visit our website for specification sheets.

NOTE: Uses TLL-0010 Repair Kit

For service parts breakdown, refer to page 362.



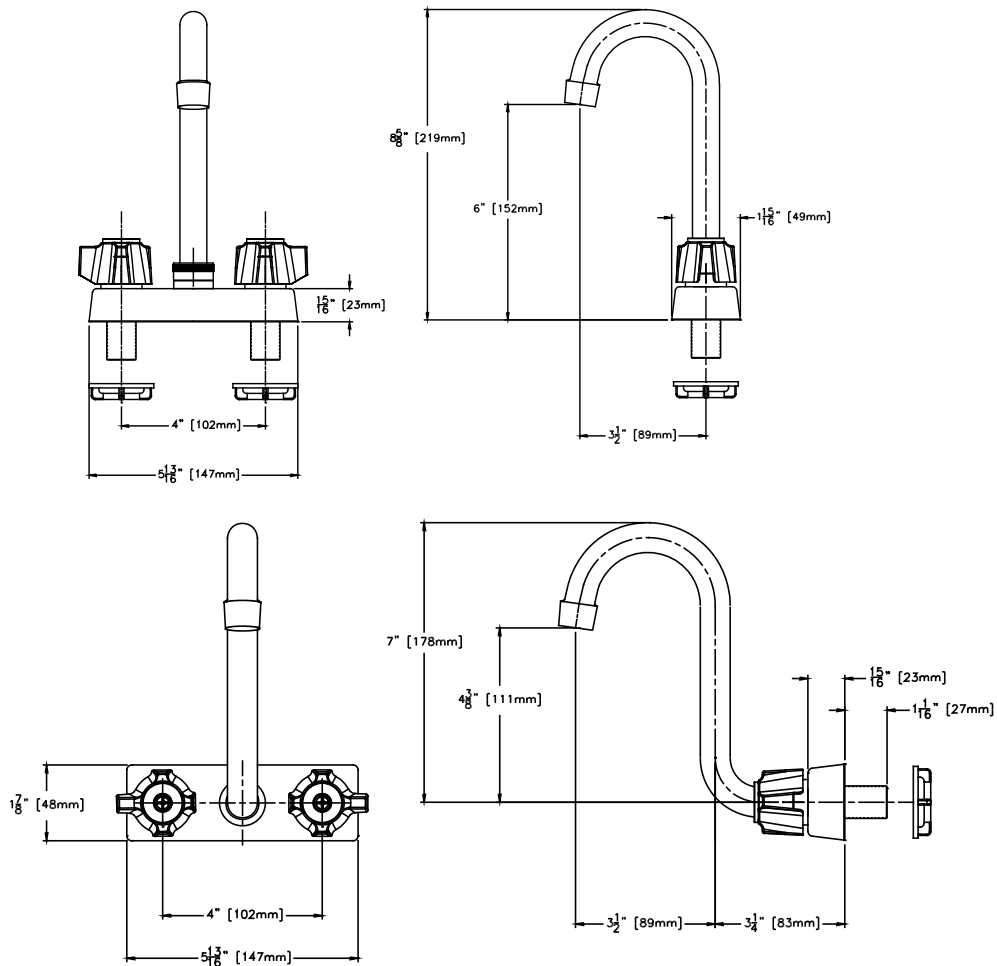
TOP-LINE® FAUCET, 4" DECK OR SPLASH MOUNT, HYBRID KHS11-4000/KHS15-4000 SERIES



KHS11-4000 Series



KHS15-4000 Series



Model No.	Spout	Flow Rate	Handles	Valves
KHS11-4000	Adjustable Gooseneck	2.0GPM	Knob	Compression
KHS15-4000				

For additional technical information visit our website for specification sheets.

NOTE: Uses KHS-0010 Repair Kit and optional KHS-0001 wrist blade handles

COMPLIES WITH:
THE FEDERAL "REDUCTION OF LEAD
IN DRINKING WATER ACT" -
2011 - US SENATE BILL NO. S.3874

TOP-LINE® FAUCET, SPLASH MOUNT, 8" O.C. TLL13-8100 SERIES



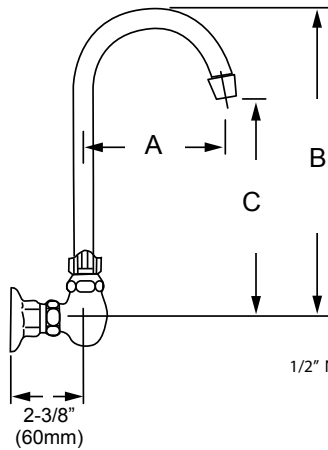
TLL13-8100x-SE1 Series



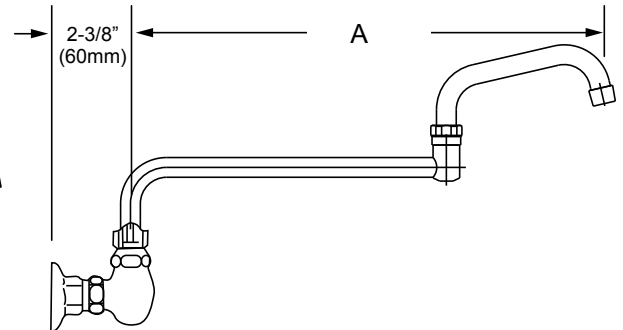
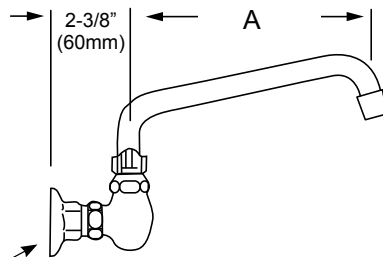
TLL13-81xx-SE1 Series



TLL13-8118-SE1 Series



1/2" NPSM



Model No.	Spout	Flow Rate	Handles	Valves	A	B	C
TLL13-8100-SE1	Adjustable Gooseneck	2.2GPM	Standard Lever	Ceramic	3-1/2" (89mm)	8-1/4" (210mm)	5-1/2" (140mm)
TLL13-8101-SE1					8-1/2" (216mm)	12" (305mm)	6-1/2" (165mm)
TLL13-8102-SE1					6" (152mm)	9-1/4" (235mm)	5-1/4" (133mm)
TLL13-8106-SE1	Tubular Swing	2.2GPM	Standard Lever	Ceramic	6" (152mm)	—	—
TLL13-8108-SE1					8" (203mm)		
TLL13-8110-SE1					10" (254mm)		
TLL13-8112-SE1					12" (305mm)		
TLL13-8114-SE1					14" (356mm)		
TLL13-8116-SE1	16" (406mm)						
TLL13-8118-SE1	Double Jointed Tubular Swing	2.2GPM	Standard Lever	Ceramic	18" (457mm)	—	—

For additional technical information visit our website for specification sheets.

NOTE: Uses TLL-0010 Repair Kit



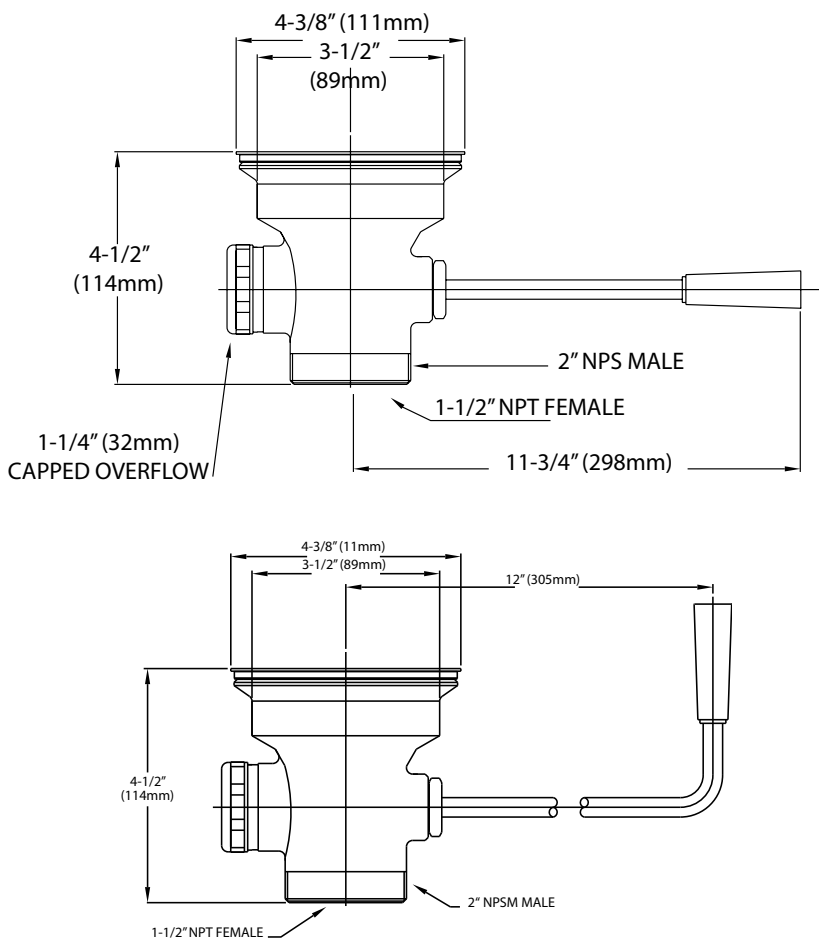
TOP-LINE® DRAINS, LEVER AND TWIST HANDLE D15/D55 SERIES



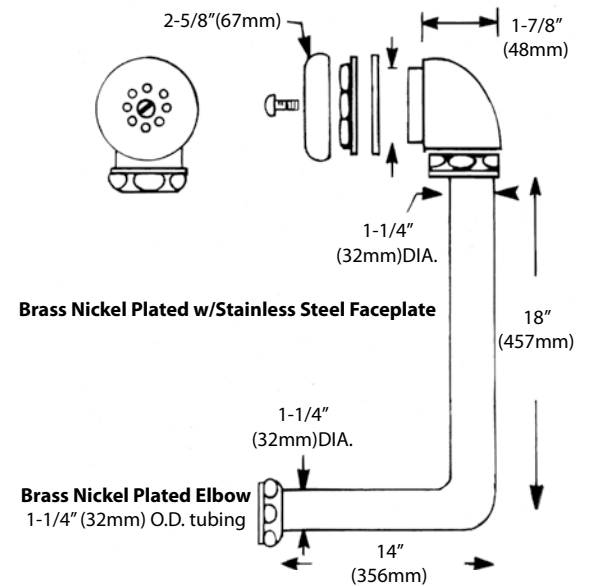
D15-751x Series



D55-7515 Series



Overflow Assembly

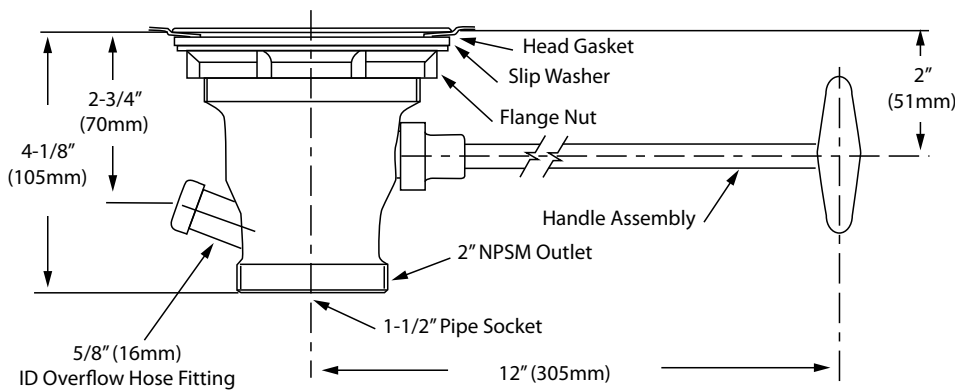


Model No.	Drain Type	Sink Opening Dia.	NPS	Face Flange Dia.	Strainer Type
D15-7510	Capped Overflow	3-1/2" (89mm)	2" (51mm)	4-3/8" (111mm)	Flat
D15-7510-R	2" (F) x 1-1/2" (M) Reducer				
D15-7515	With Overflow Assembly				
D55-7510	Capped Overflow				
D55-7510-R	2" (F) x 1-1/2" (M) Reducer				
D55-7515	With Overflow Assembly				

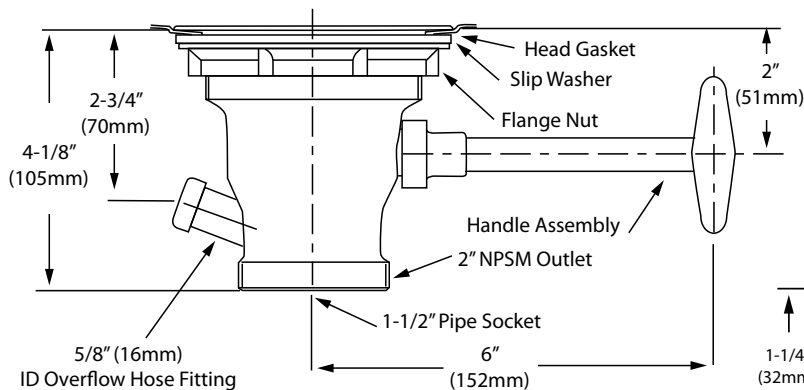
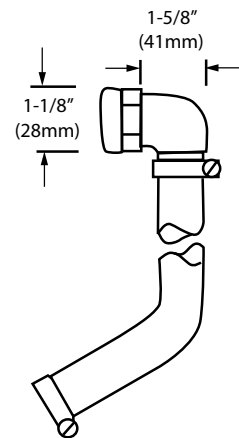
For additional technical information visit our website for specification sheets.

For service parts breakdown, refer to page 278.

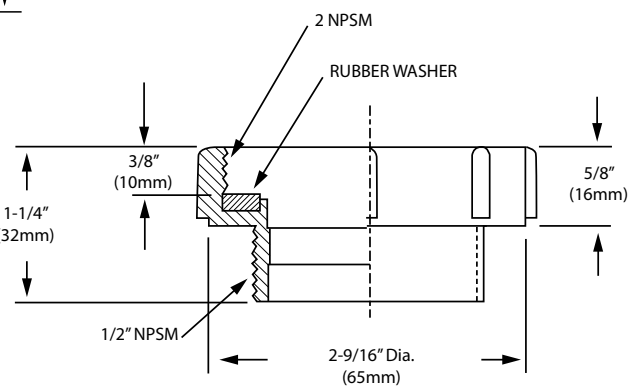
TOP-LINE® DRAINS, ABS PLASTIC, ROTARY DPL-8000 SERIES



Overflow Assembly



Reducer Assembly



Model No.	Sink Opening Dia.	NPS	Handle Length	Strainer Type
DPL-8000	3-1/2" (89mm)	2" (51mm)	12" (305mm)	Beehive Crumb Cup
DPL-8000-S			6" (152mm)	

For additional technical information visit our website for specification sheets.

HANDSINKS, DROP IN, WITHOUT FAUCETS FS17 SERIES



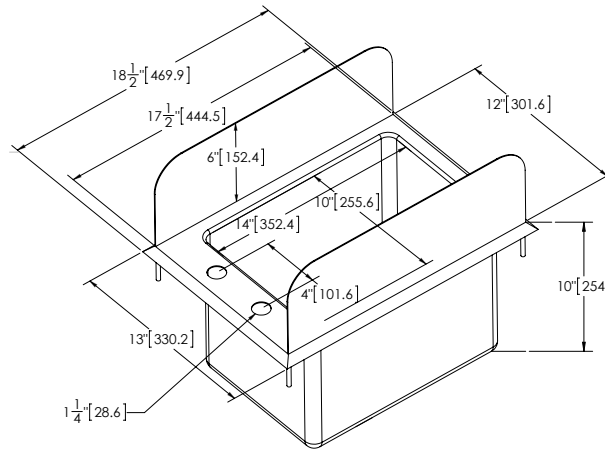
FS17D-1014-10 Series



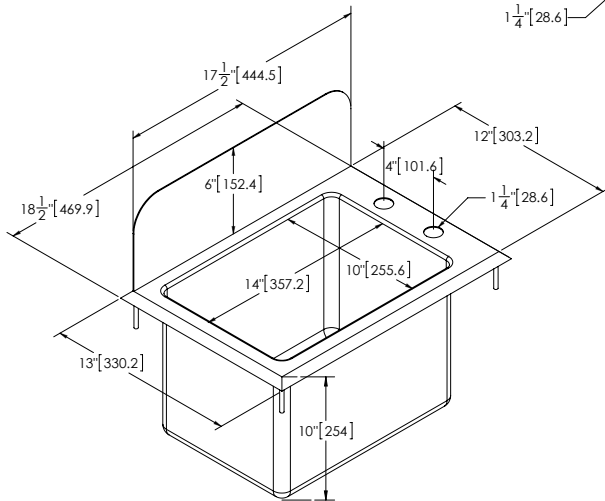
FS17L-1014-10 Series



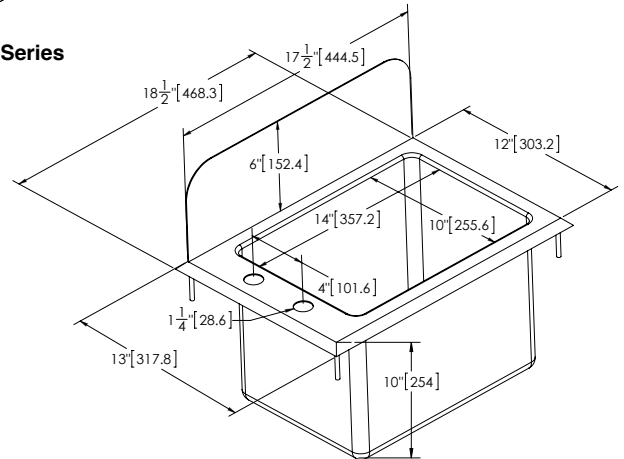
FS17R-1014-10 Series



FS17D-1014-10 Series



FS17L-1014-10 Series



FS17R-1014-10 Series

Encore® Stainless Steel Drop In Handsink

- One piece 16 ga. stainless welded construction
- Integral counter top with sink bowl and splash design
- Sink bowl has large radii and rectangular design
- Sink bowl accepts 3-1/2" NPS stainless steel mini-basket drain (included)

Model	Bowl Size	Gauge	Side Splash
FS17D-1014-10	10"L x 14"W x 10"D (254mm x 356mm x 254mm)	16	Double
FS17L-1014-10	10"L x 14"W x 10"D (254mm x 356mm x 254mm)		Left
FS17R-1014-10	10"L x 14"W x 10"D (254mm x 356mm x 254mm)		Right

For additional technical information visit our website for specification sheets.

HAND SINKS



STAINLESS STEEL WALL MOUNT HANDSINK WITH SIDE SPLASH

Model	Size
FS17D-1410-05XZ	10"L x 14"W x 5"D (254mm x 356mm x 127mm)



STAINLESS STEEL SPACE SAVER WALL MOUNT HANDSINK

Model	Size
FS18-090905B2	9"L x 9"W x 5"D (229mm x 229mm x 127mm)



STAINLESS STEEL WALL MOUNT HANDSINKS

Model No.	Description	Size
FS2010145B1XZ	Single Splash Mounting Hole	10"L x 14"W x 5"D (254mm x 356mm x 127mm)
FS2010145B2XZ	Double Splash Mounting Hole	10"L x 14"W x 5"D (254mm x 356mm x 127mm)
FS2010145D2XZ	Double Deck Mounting Hole	10"L x 14"W x 5"D (254mm x 356mm x 127mm)



STAINLESS STEEL WALL MOUNT HANDSINK WITH SIDE SPLASH AND SPLASH MOUNT FAUCET

Model	Description
FS17D-10145AK1	Double Pedal
FS17D-10145AK2	Single Pedal



STAINLESS STEEL WALL MOUNT HANDSINK WITH SIDE SPLASH AND SPLASH MOUNT FAUCET

Model	Faucet
FS17D141005K3	TLL15-4000SE1
FS17D-14105H1	KHS15-4000



STAINLESS STEEL SPACE SAVER WALL MOUNT HANDSINK WITH SPLASH MOUNT FAUCET

Model	Faucet
FS18-090905L3	TLL15-4000SE1
FS18-090905H1	KHS15-4000



STAINLESS STEEL WALL MOUNTED HANDSINK WITH SPLASH MOUNT FAUCET AND MINI BASKET DRAIN

Model	Faucet
FS20-101405K5	TLL15-4000SE1
FS20-101405H1	KHS15-4000



STAINLESS STEEL WALL MOUNTED HANDSINK WITH DECK MOUNT FAUCET

Model	Faucet
FS20-101405H2	KHS11-4000
FS20-10145DK1	TLL11-4000SE1



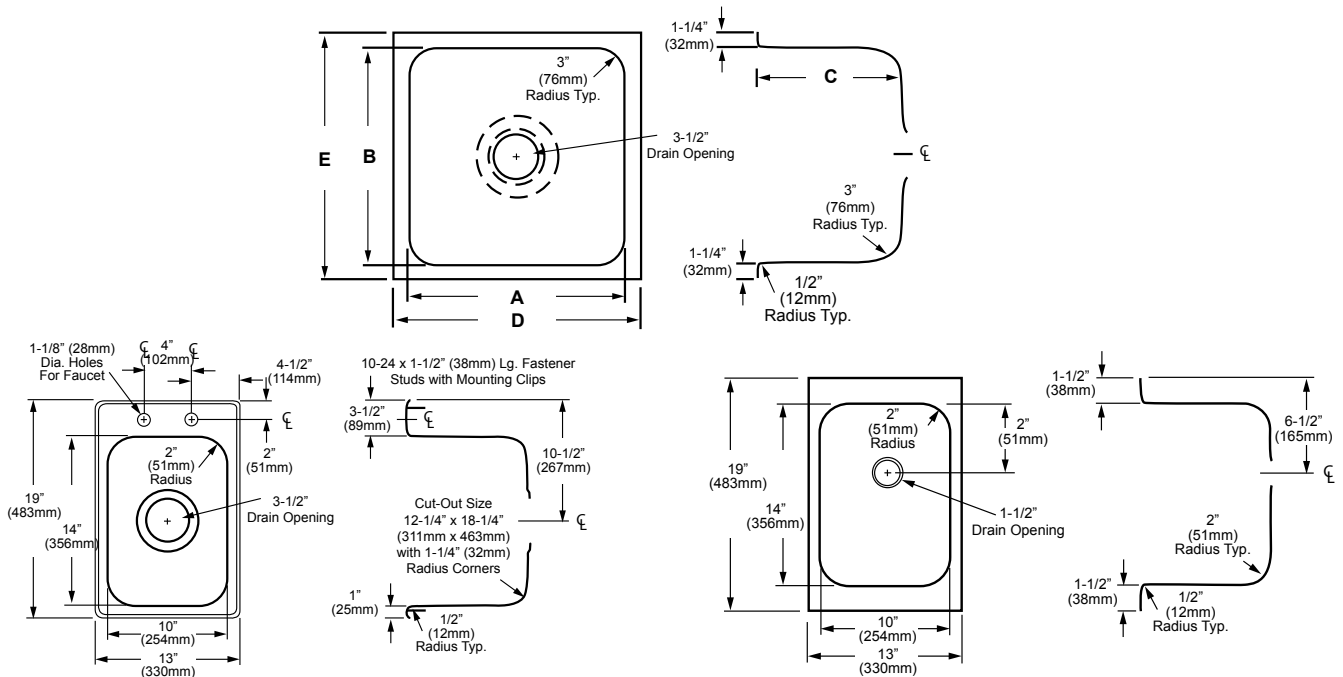
Standard Type

Drop-In Type

Bar Type

Encore® Drawn Stainless Steel Sink Bowls

Pot Sinks • Bar Sinks • Dish Sinks • Prep Sinks • Utility Sinks • Mop Sinks • Self-Rim Sinks
 • Pre-Rinse Sinks • Soak Sinks • Service Sinks • Scullery Sinks



Model	Bowl Size A x B x C	Gauge	Trim Size D x E	Type
1416A-12	14" x 16" x 12"dp. (356mm x 406mm x 305mm)	18 (1.2mm)	16-1/2" x 18-1/2" (419mm x 470mm)	Standard
1620A-08	16" x 20" x 8"dp. (406mm x 508mm x 203mm)		18-1/2" x 22-1/2" (470mm x 572mm)	
1620A-10	16" x 20" x 10"dp. (406mm x 508mm x 254mm)		18-1/2" x 22-1/2" (470mm x 572mm)	
1620A-12	16" x 20" x 12"dp. (406mm x 508mm x 305mm)		18-1/2" x 22-1/2" (470mm x 572mm)	
1620A-14A	16" x 20" x 14"dp. (406mm x 508mm x 356mm)	14 (1.9mm)	18-1/2" x 22-1/2" (470mm x 572mm)	Standard
2020A-10	20" x 20" x 10"dp. (508mm x 508mm x 254mm)	18 (1.2mm)	22-1/2" x 22-1/2" (572mm x 572mm)	
2020A-12	20" x 20" x 12"dp. (508mm x 508mm x 305mm)		22-1/2" x 22-1/2" (572mm x 572mm)	
2020A-14A	20" x 20" x 14"dp. (508mm x 508mm x 356mm)	14 (1.9mm)	22-1/2" x 22-1/2" (572mm x 572mm)	
2424A-14A	24" x 24" x 14"dp. (610mm x 610mm x 356mm)	14 (1.9mm)	26-1/2" x 26-1/2" (673mm x 673mm)	Standard
1014B-05	10" x 14" x 5"dp. (254mm x 356mm x 127mm)	20 (.9mm)	13" x 19" (330mm x 482mm)	Drop-In
1014B-10B	10" x 14" x 10"dp. (254mm x 356mm x 254mm)	18 (1.2mm)	13" x 19" (330mm x 482mm)	
1014A-10	10" x 14" x 10"dp. (254mm x 355mm x 254mm)	20 (.9mm)	13" x 19" (330mm x 457mm)	Bar
1014A-10A	10" x 14" x 10"dp. (254mm x 355mm x 254mm)	18 (1.2mm)	13" x 19" (330mm x 457mm)	

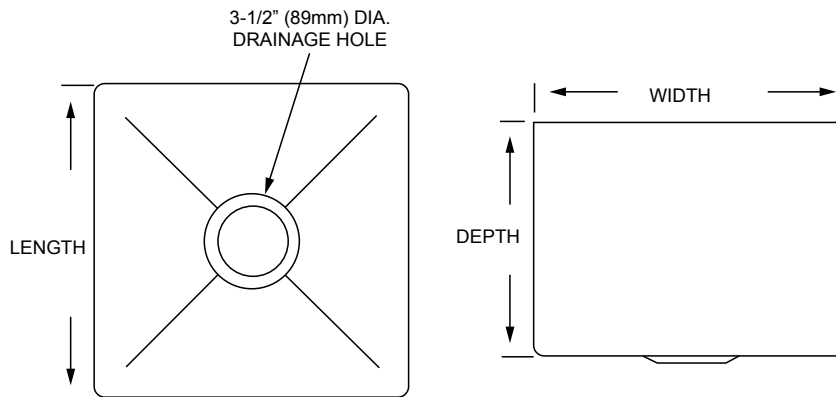
NOTE: Drop-in type sink bowls accept standard 3-1/2" (89mm) basket sink drains. Bar type sink bowls accept standard 1-1/2" (38mm) basket sink drains
 For additional technical information visit our website for specification sheets.

SINK BOWLS, 14 GA. FABRICATED STAINLESS STEEL FB14 SERIES



FB14 Series

- NSF Listed • 14 Ga. Stainless Steel Heavy-duty construction • Fully formed, folded and welded construction
- Fully polished inside and out, ready for installation • Furnished with trimmed edges for easy welding installation
- Cross embossed basin provides positive drainage • 3-1/2" (89mm) Dia. drain hole provided • Stainless steel construction throughout • Complete inventory of conventional sizes • Available for immediate shipment from stock • Economical



Model	Bowl Size L x W x D	Cut-Out Size Req'd L x W	Gauge
FB14-141806	14" x 18" x 6" (356 x 457 x 152mm)	14-3/16" x 18-3/16" (360 x 462mm)	14
FB14-141810	14" x 18" x 10" (356 x 457 x 254mm)	14-3/16" x 18-3/16" (360 x 462mm)	
FB14-162010	16" x 20" x 10" (406 x 508 x 254mm)	16-3/16" x 20-3/16" (411 x 513mm)	
FB14-162014	16" x 20" x 14" (406 x 508 x 356mm)	16-3/16" x 20-3/16" (411 x 513mm)	
FB14-162110	16" x 21" x 10" (406 x 533 x 254mm)	16-3/16" x 21-3/16" (411 x 538mm)	
FB14-181810	18" x 18" x 10" (457 x 457 x 254mm)	18-3/16" x 18-3/16" (462 x 462mm)	
FB14-181814	18" x 18" x 14" (457 x 457 x 356mm)	18-3/16" x 18-3/16" (462 x 462mm)	
FB14-182414	18" x 24" x 14" (457 x 610 x 356mm)	18-3/16" x 24-3/16" (462 x 614mm)	
FB14-202006	20" x 20" x 6" (508 x 508 x 152mm)	20-3/16" x 20-3/16" (513 x 513mm)	
FB14-202008	20" x 20" x 8" (508 x 508 x 203mm)	20-3/16" x 20-3/16" (513 x 513mm)	
FB14-202014	20" x 20" x 14" (508 x 508 x 356mm)	20-3/16" x 20-3/16" (513 x 513mm)	
FB14-202414	20" x 24" x 14" (508 x 610 x 356mm)	20-3/16" x 24-3/16" (513 x 614mm)	
FB14-242414	24" x 24" x 14" (610 x 610 x 356mm)	24-3/16" x 24-3/16" (614 x 614mm)	

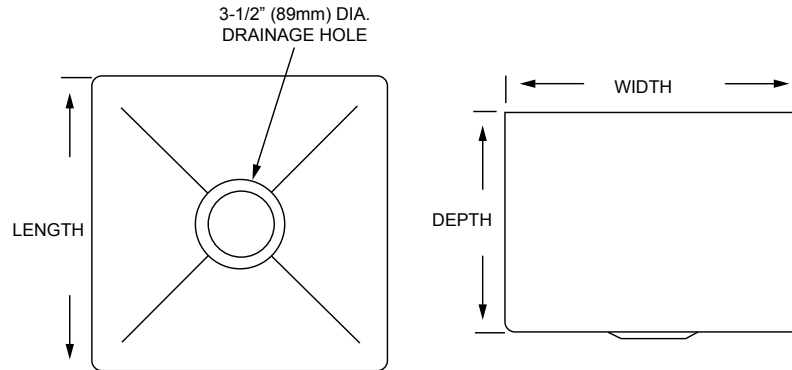
For additional technical information visit our website for specification sheets.

SINK BOWLS, 16 GA. FABRICATED STAINLESS STEEL FB16 SERIES



FB16 Series

- NSF Listed • 16 Ga. Stainless Steel Heavy-duty construction • Fully formed, folded and welded construction
- Fully polished inside and out, ready for installation • Furnished with trimmed edges for easy welding installation
- Cross embossed basin provides positive drainage • 3-1/2" (89mm) Dia. drain hole provided • Stainless steel construction throughout • Complete inventory of conventional sizes • Available for immediate shipment from stock • Economical



Model	Bowl Size L x W x D	Cut-Out Size Req'd L x W	Gauge
FB16-101409	10" x 14" x 9" (254 x 356 x 229mm)	10-3/16" x 14-3/16" (259 x 360mm)	16
FB16-101410	10" x 14" x 10" (254 x 356 x 254mm)	10-3/16" x 14-3/16" (259 x 360mm)	
FB16-121410	12" x 14" x 10" (305 x 356 x 254mm)	12-3/16" x 14-3/16" (310 x 360mm)	
FB16-162012	16" x 20" x 12" (406 x 508 x 305mm)	16-3/16" x 20-3/16" (411 x 513mm)	
FB16-162014	16" x 20" x 14" (406 x 508 x 356mm)	16-3/16" x 20-3/16" (411 x 513mm)	
FB16-162021	16" x 20" x 21" (406 x 508 x 533mm)	16-3/16" x 20-3/16" (411 x 513mm)	
FB16-181812	18" x 18" x 12" (457 x 457 x 305mm)	18-3/16" x 18-3/16" (462 x 462mm)	
FB16-182014	18" x 20" x 14" (457 x 508 x 356mm)	18-3/16" x 20-3/16" (462 x 513mm)	
FB16-182214	18" x 22" x 14" (457 x 559 x 356mm)	18-3/16" x 22-3/16" (462 x 4564mm)	
FB16-182412	18" x 24" x 12" (457 x 610 x 305mm)	18-3/16" x 24-3/16" (462 x 614mm)	
FB16-182414	18" x 24" x 14" (457 x 610 x 356mm)	18-3/16" x 24-3/16" (462 x 614mm)	
FB16-202007	20" x 20" x 7" (508 x 508 x 178mm)	20-3/16" x 20-3/16" (513 x 513mm)	
FB16-202008	20" x 20" x 8" (508 x 508 x 203mm)	20-3/16" x 20-3/16" (513 x 513mm)	
FB16-202012	20" x 20" x 12" (508 x 508 x 305mm)	20-3/16" x 20-3/16" (513 x 513mm)	
FB16-202014	20" x 20" x 14" (508 x 508 x 356mm)	20-3/16" x 20-3/16" (513 x 513mm)	
FB16-202018	20" x 20" x 18" (508 x 508 x 457mm)	20-3/16" x 20-3/16" (513 x 513mm)	
FB16-202021	20" x 20" x 21" (508 x 508 x 533mm)	20-3/16" x 20-3/16" (513 x 513mm)	
FB16-212214	21" x 22" x 14" (533 x 559 x 356mm)	21-3/16" x 22-3/16" (538 x 564mm)	
FB16-242012	24" x 20" x 12" (610 x 508 x 305mm)	24-3/16" x 20-3/16" (614 x 513mm)	
FB16-242412	24" x 24" x 12" (610 x 610 x 305mm)	24-3/16" x 24-3/16" (614 x 614mm)	
FB16-242414	24" x 24" x 14" (610 x 610 x 356mm)	24-3/16" x 24-3/16" (614 x 614mm)	

For additional technical information visit our website for specification sheets.

PRE-RINSE SINK ASSEMBLIES

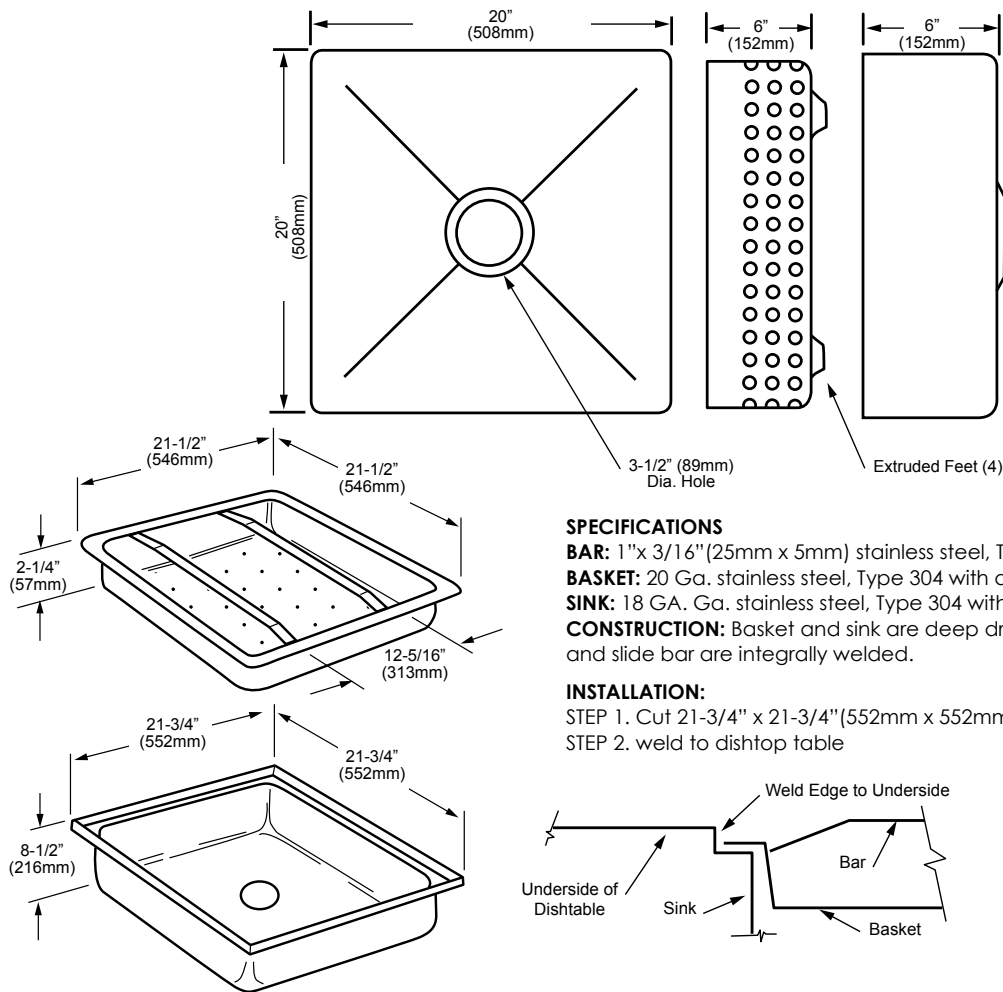


Fabricated - NSF Listed • Heavy-Duty 14 Ga. • Fully formed, folded and welded construction • Fully polished inside and out; ready for installation • Furnished with trimmed edges for easy welding installation • Cross embossed basin provides positive drainage

- 3-1/2" (89mm) Dia. center drainage hole provided • Type 304 stainless steel throughout
- Complete with perforated scrap basket with 1" O.D. tubular tray slides
- Economical • Available for immediate shipment from stock

Deep Draw - Deep drawn basket and sink • Slide bar and basket integrally welded

- Sized for standard 20" x 20" (508mm x 508mm) dish rack • All stainless steel components (Type 304)



SPECIFICATIONS

BAR: 1" x 3/16" (25mm x 5mm) stainless steel, Type 304
BASKET: 20 Ga. stainless steel, Type 304 with a #4 finish
SINK: 18 GA. stainless steel, Type 304 with a #4 finish
CONSTRUCTION: Basket and sink are deep drawn. Basket and slide bar are integrally welded.

INSTALLATION:

STEP 1. Cut 21-3/4" x 21-3/4" (552mm x 552mm) opening
 STEP 2. weld to dishtop table

Model	Bowl Size L x W x D	Gauge	Cut-Out Size Req'd L x W	Type
FB80-2020	20" x 20" x 6" (508 x 508 x 152mm)	14	20-3/16" x 20-3/16" (513 x 513mm)	Fabricated
FB80-X015	Scrap Basket Only		—	
E80-2020	21-3/4" x 21-3/4" x 8-1/2" (552 x 552 x 216mm)	18	21-3/4" x 21-3/4" (552 x 552mm)	Deep Drawn
E80-X010	Stainless Steel Sink Only		—	
E80-X015	Scrap Basket Only		—	

Sink provided with 3-1/2" (89mm) Dia. drain opening. Basket is provided with hole spacing pattern as illustrated. All holes are 1/4" (6.5mm) Dia.

For additional technical information visit our website for specification sheets.

HOSE REEL, OPEN REEL KHR-10xx-Oxx SERIES



KHR-1015-O Series



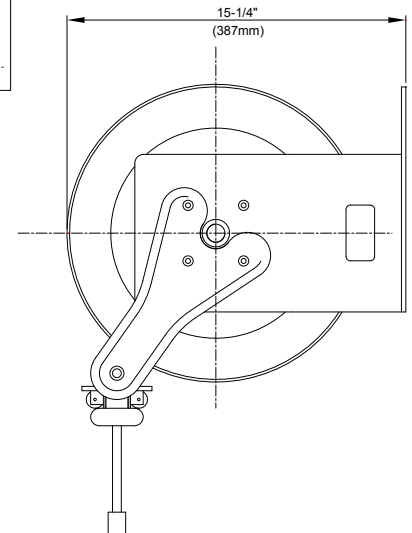
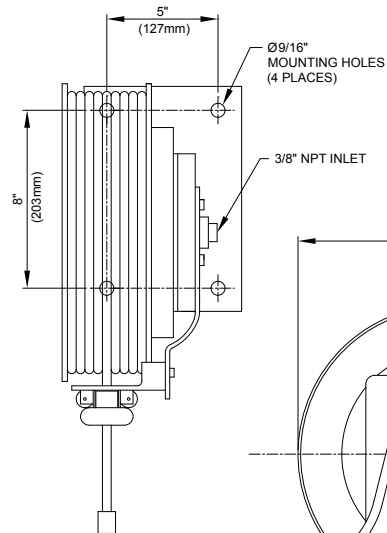
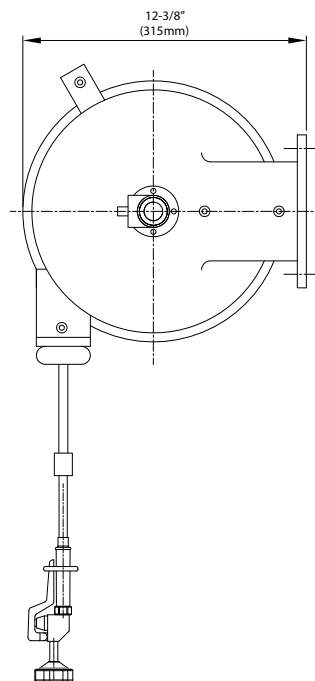
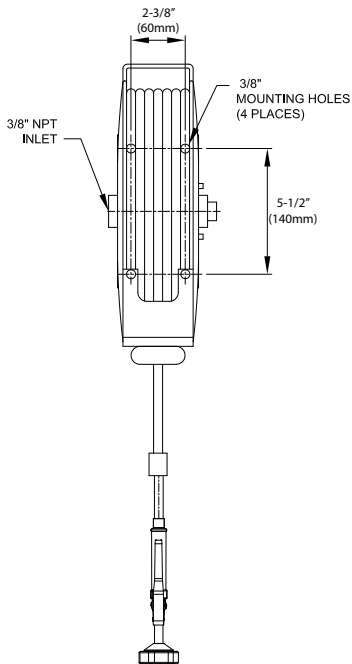
KHR-1015-OSS Series



KHR-10xx-O Series



KHR-10xx-OSS Series



Model No.	Hose Length	Finish	Spray Face
KHR-1015-O	15' (4572mm)	Gray Powder Coated	3.3GPM
KHR-1015-OSS		Stainless Steel	
KHR-1030-O	30' (9144mm)	Gray Powder Coated	3.3GPM
KHR-1030-OSS		Stainless Steel	
KHR-1035-O	35' (11481mm)	Gray Powder Coated	3.3GPM
KHR-1035-OSS		Stainless Steel	
KHR-1050-O	50' (15240mm)	Gray Powder Coated	3.3GPM
KHR-1050-OSS		Stainless Steel	

For additional technical information visit our website for specification sheets.

HOSE REEL, CLOSED REEL KHR-103x-Exx SERIES



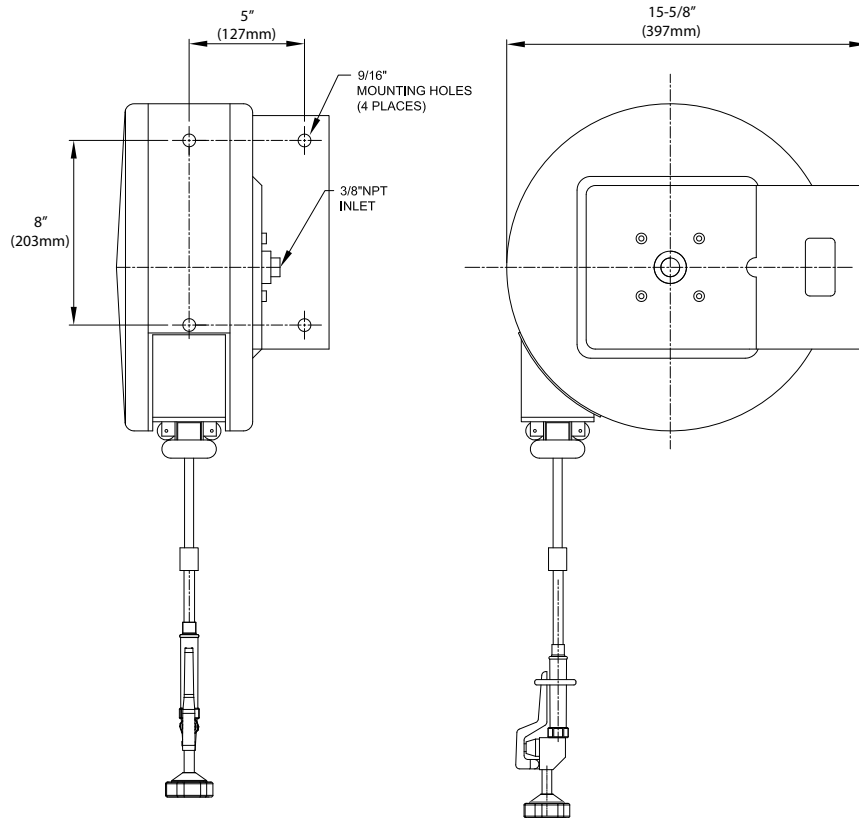
KHR-103x-E Series



KHR-103x-ESS Series



KHR-1030-ESTG Series



Model No.	Hose Length	Finish	Spray Face
KHR-1030-E	30' (9144mm)	Gray Powder Coated	3.3GPM
KHR-1030-ESS		Stainless Steel	Rear Trigger
KHR-1030-ESTG	35' (11481mm)	Gray Powder Coated	3.3GPM
KHR-1035-E		Stainless Steel	
KHR-1035-ESS			

For additional technical information visit our website for specification sheets.

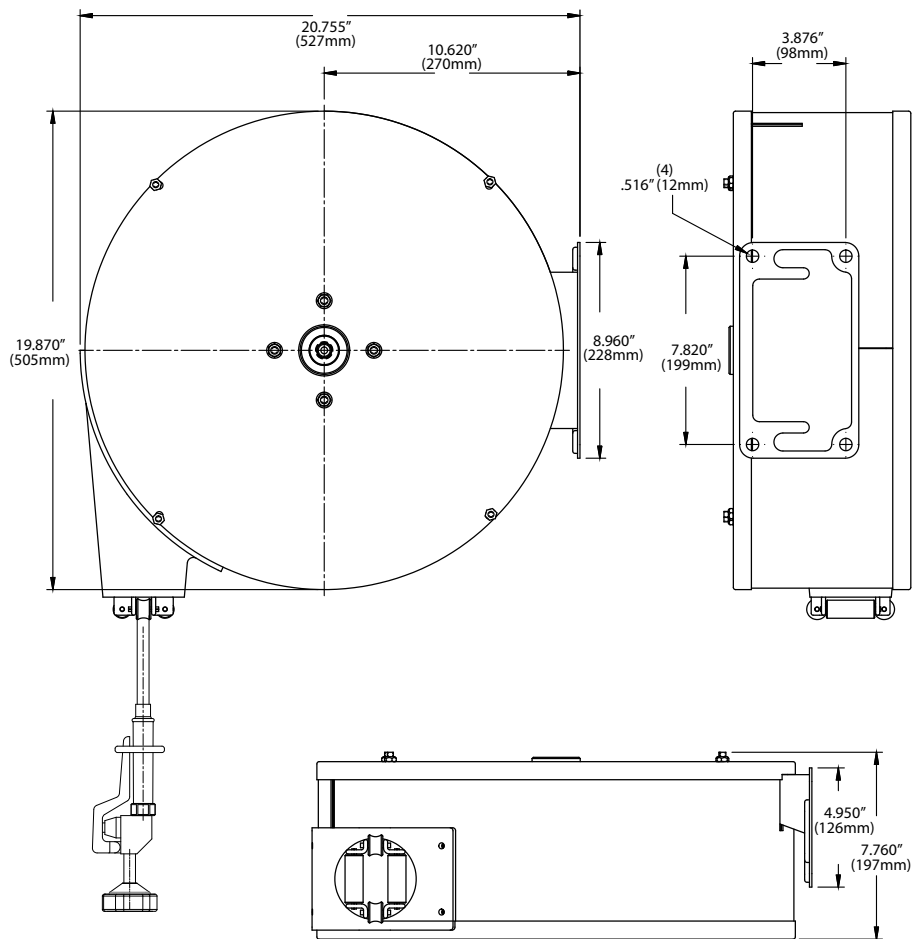
HOSE REEL, CLOSED REEL KHR-5650-Exx SERIES



KHR-5650-E Series



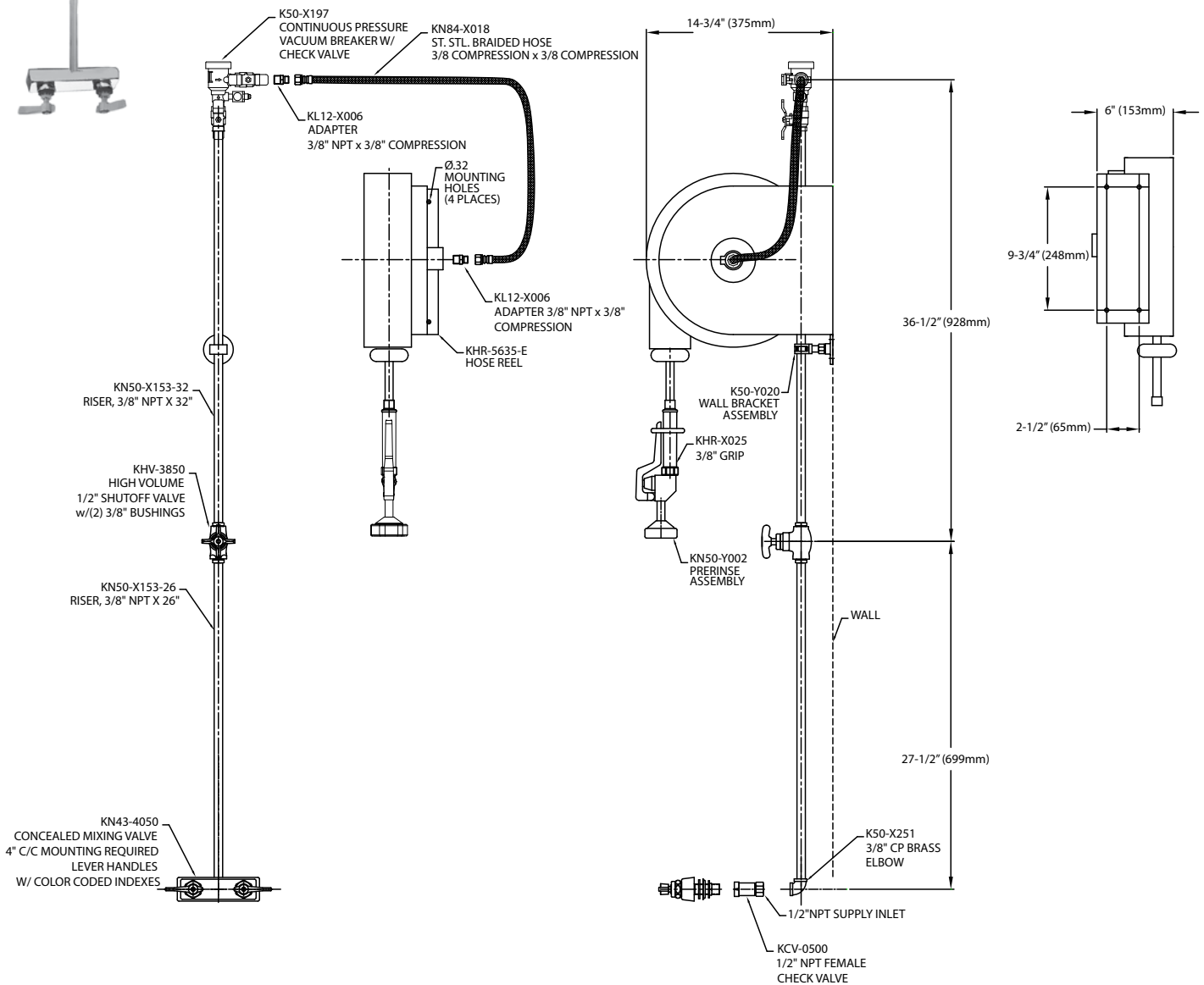
KHR-5650-ESS Series



Model No.	Hose Length	Finish	Spray Face
KHR-5650-E	50' (15240mm)	Gray Powder Coated	3.3GPM
KHR-5650-ESS		Stainless Steel	

For additional technical information visit our website for specification sheets.

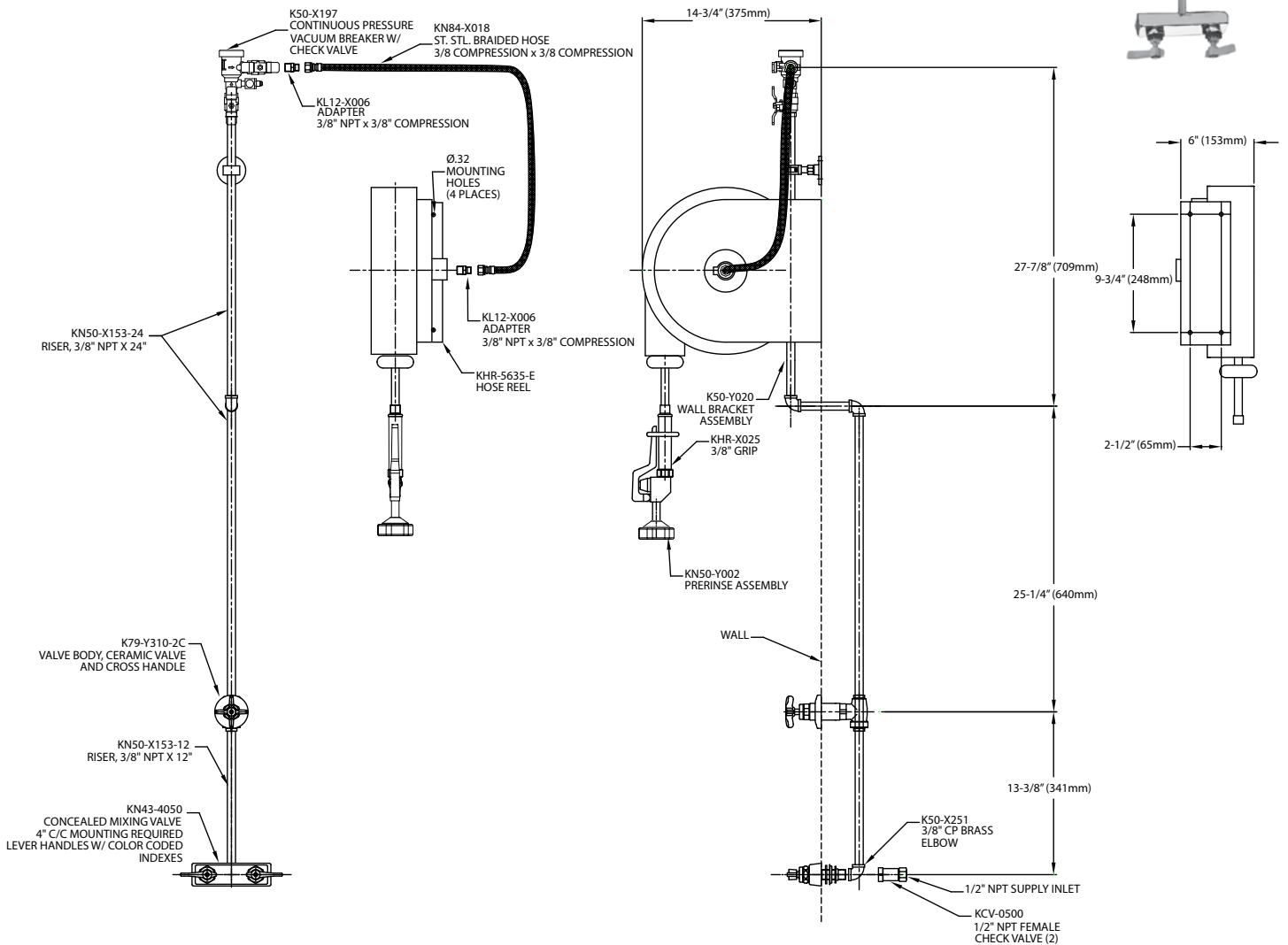
HOSE REEL, CLOSED REEL KHR-1430 SERIES



Model No.	Hose Length	Finish	Spray Face
KHR-1430	35' (11841mm)	Powder Coated	3.3GPM

For additional technical information visit our website for specification sheets.

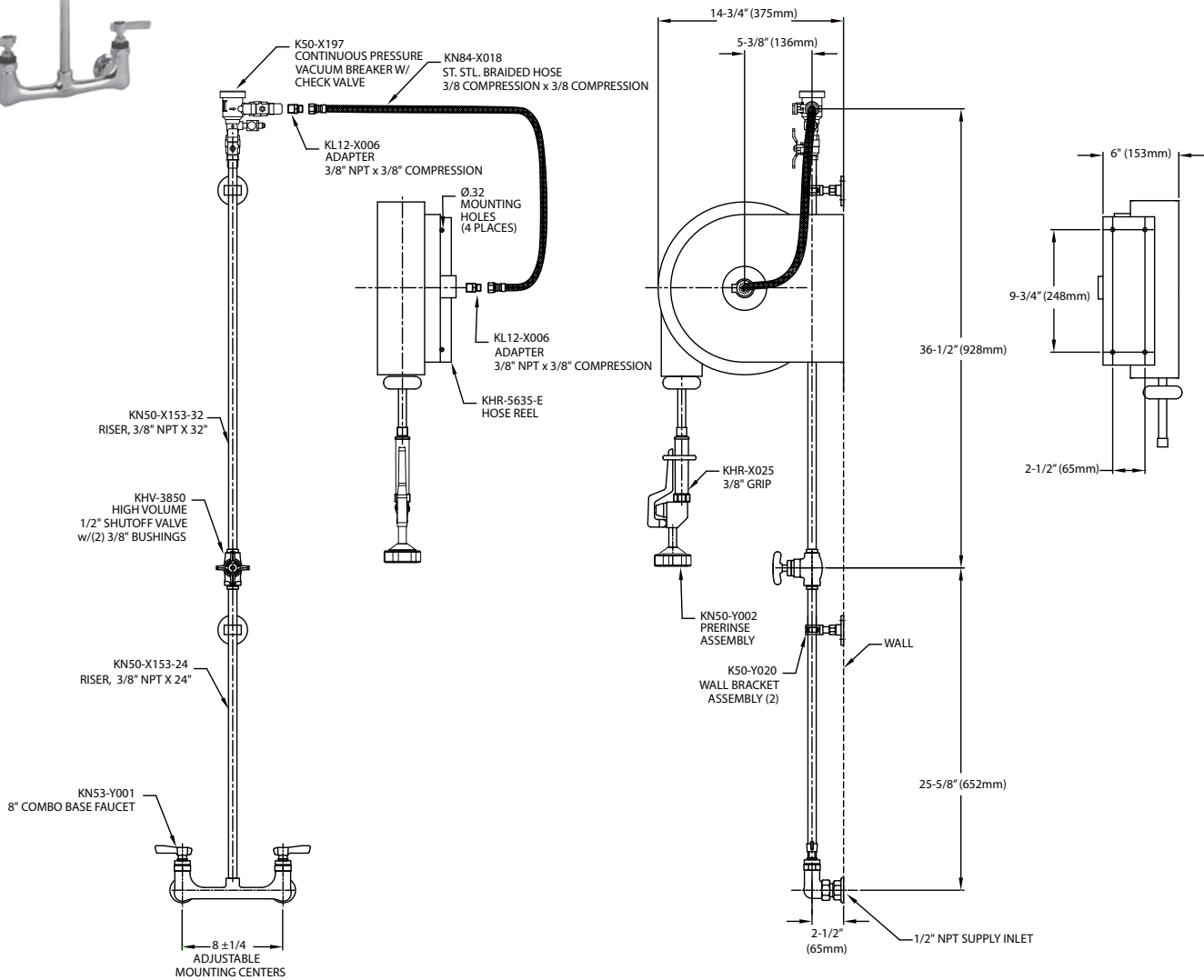
HOSE REEL, CLOSED REEL KHR-1432 SERIES



Model No.	Hose Length	Finish	Spray Face
KHR-1432	35' (11481mm)	Powder Coated	3.3GPM

For additional technical information visit our website for specification sheets.

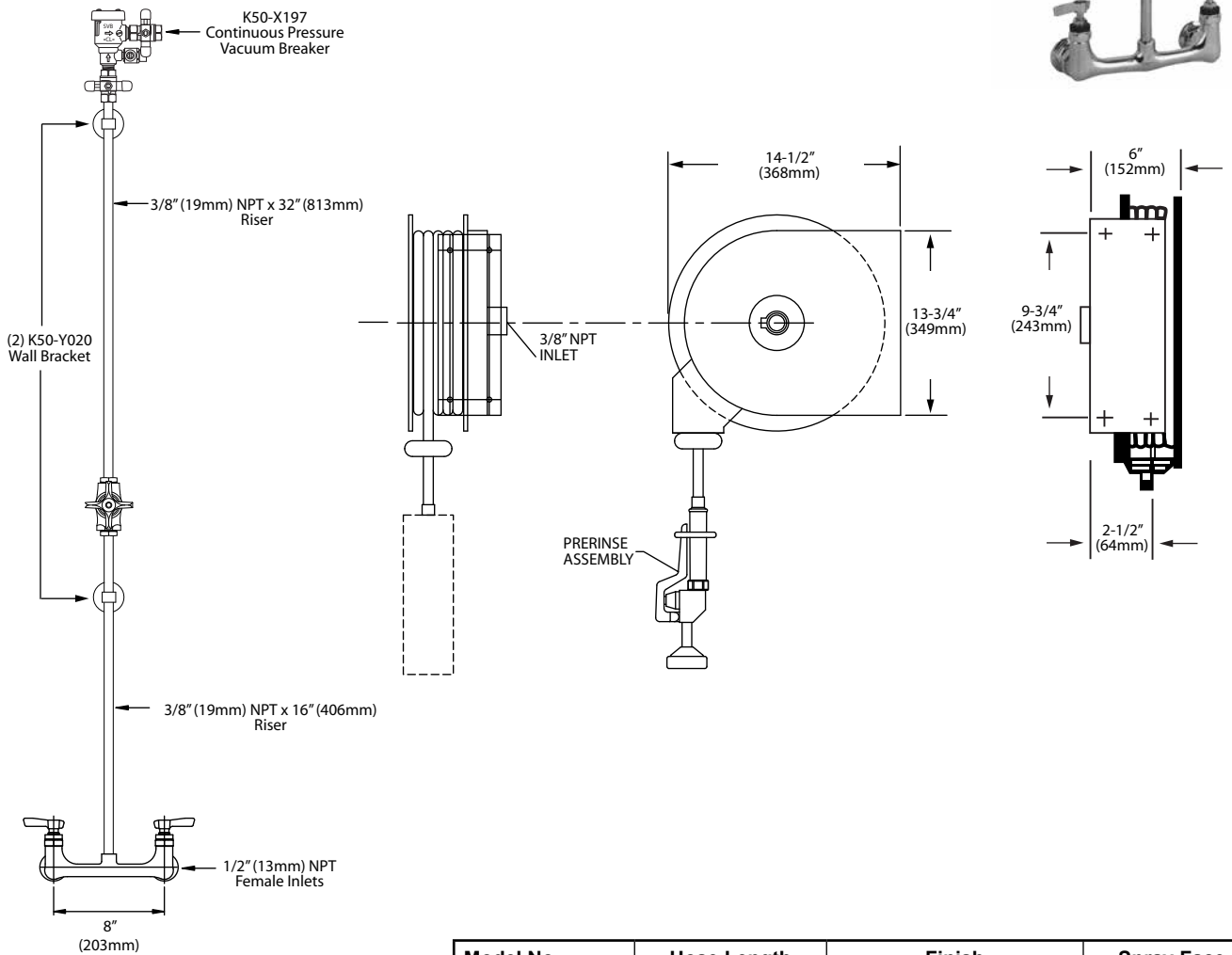
HOSE REEL, CLOSED REEL KHR-1433 SERIES



Model No.	Hose Length	Finish	Spray Face
KHR-1433	35' (11481mm)	Powder Coated	3.3GPM

For additional technical information visit our website for specification sheets.

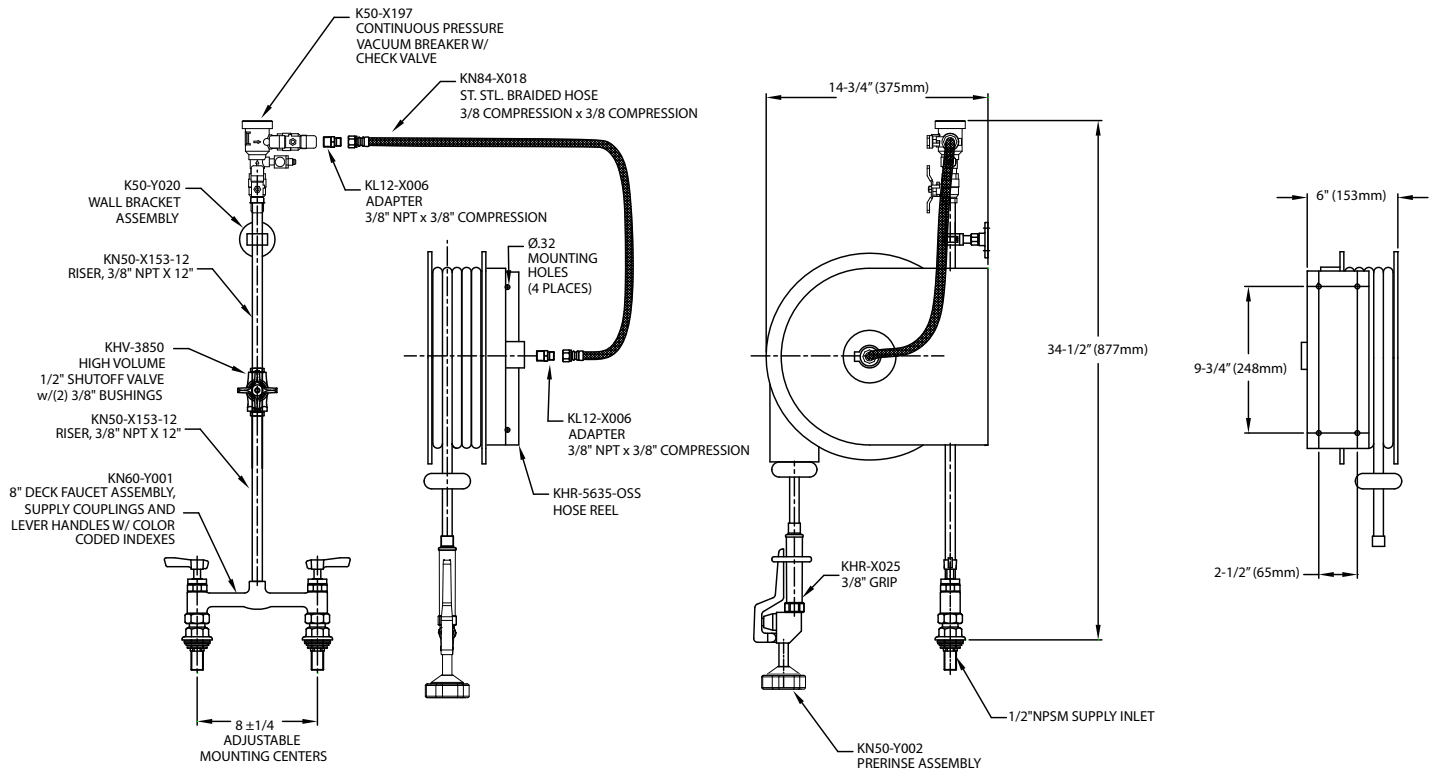
HOSE REEL, OPEN REEL KHR-1434 SERIES



Model No.	Hose Length	Finish	Spray Face
KHR-1434	35' (11481mm)	Powder Coated	3.3GPM

For additional technical information visit our website for specification sheets.

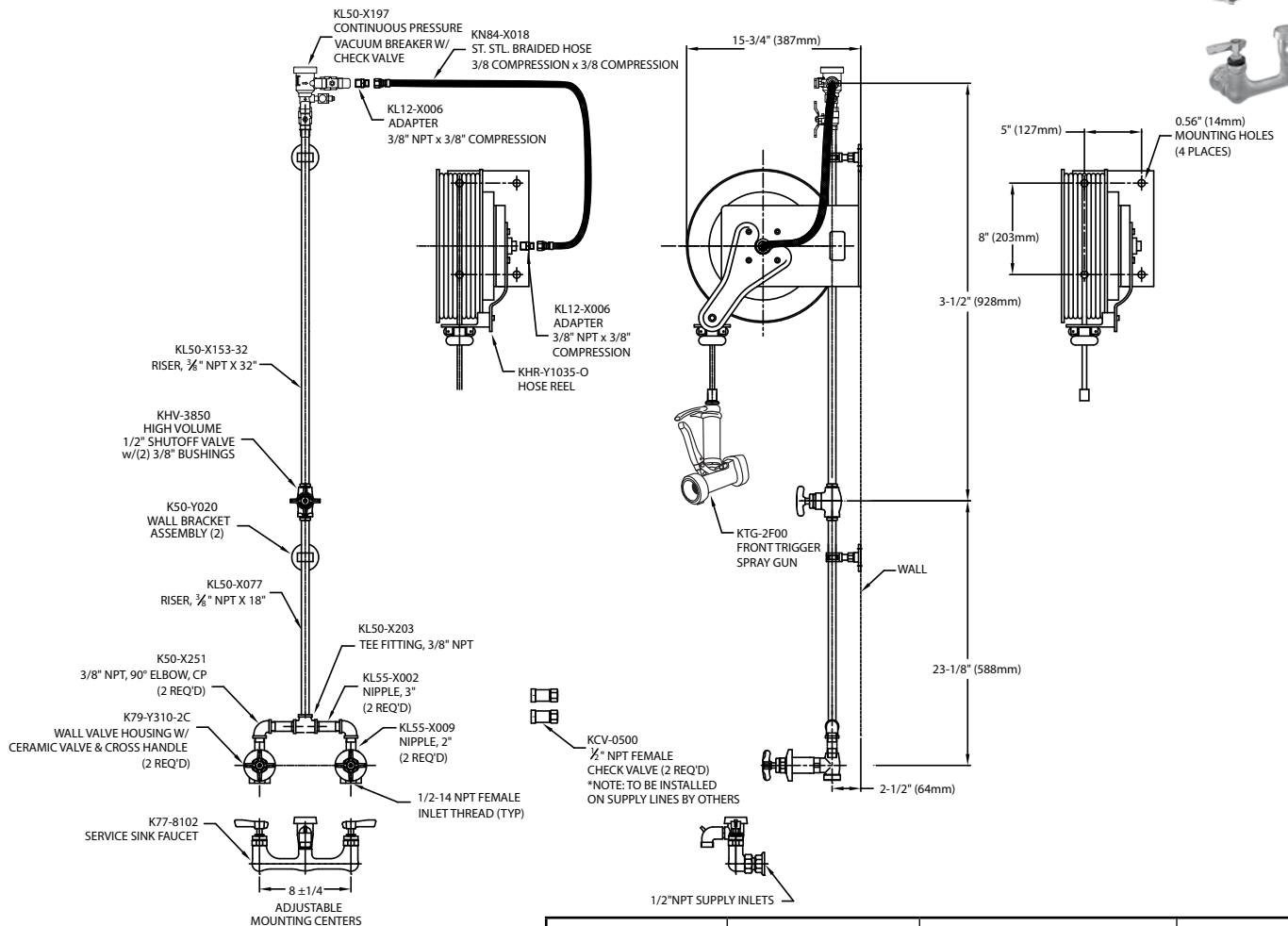
HOSE REEL, OPEN REEL KHR-1436 SERIES



Model No.	Hose Length	Finish	Spray Face
KHR-1436	35' (11481mm)	Stainless Steel	3.3GPM

For additional technical information visit our website for specification sheets.

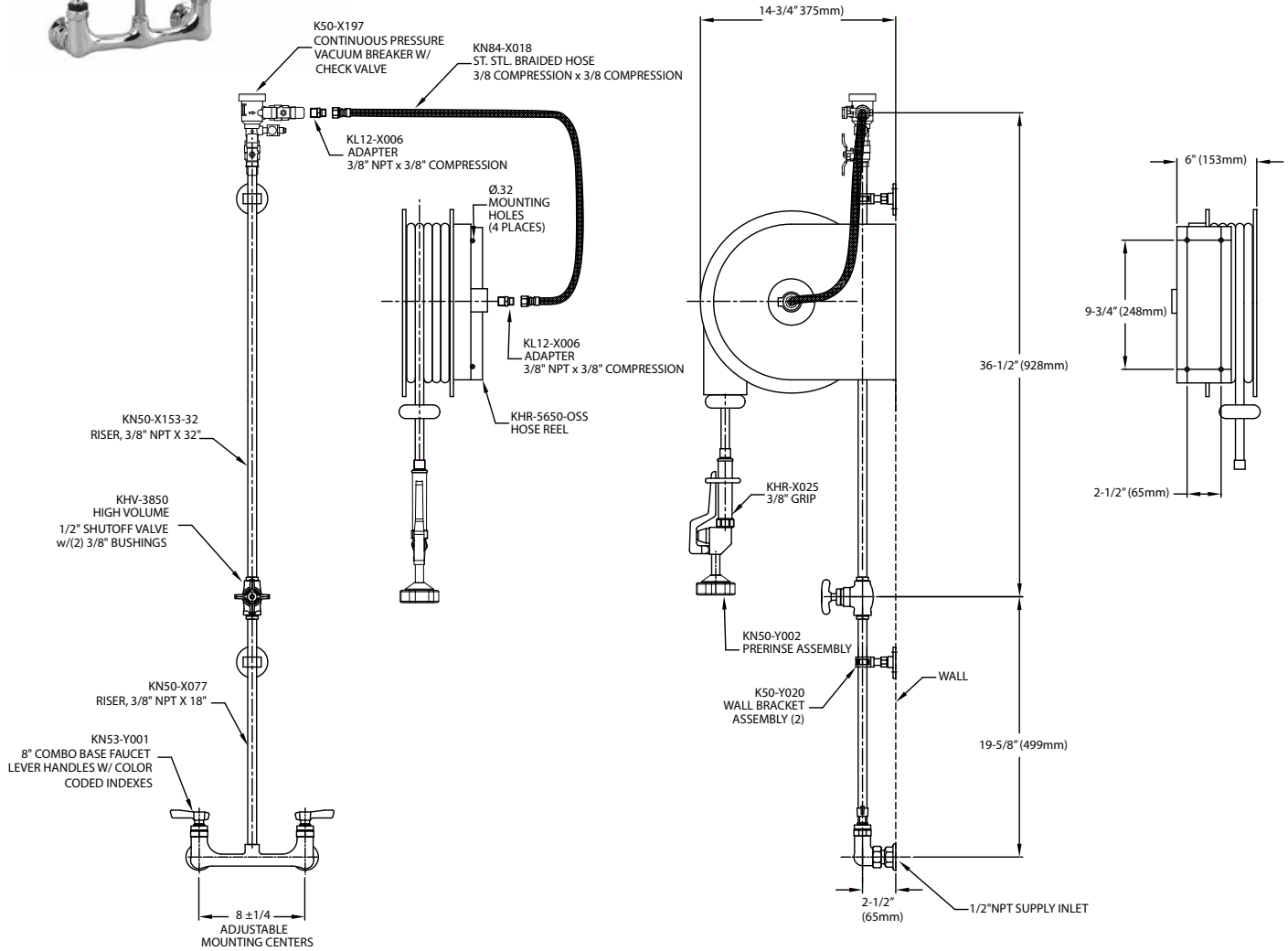
HOSE REEL, OPEN REEL KHR-1437 SERIES



Model No.	Hose Length	Finish	Spray Face
KHR-1437	35' (11481mm)	Powder Coated	3.3GPM

For additional technical information visit our website for specification sheets.

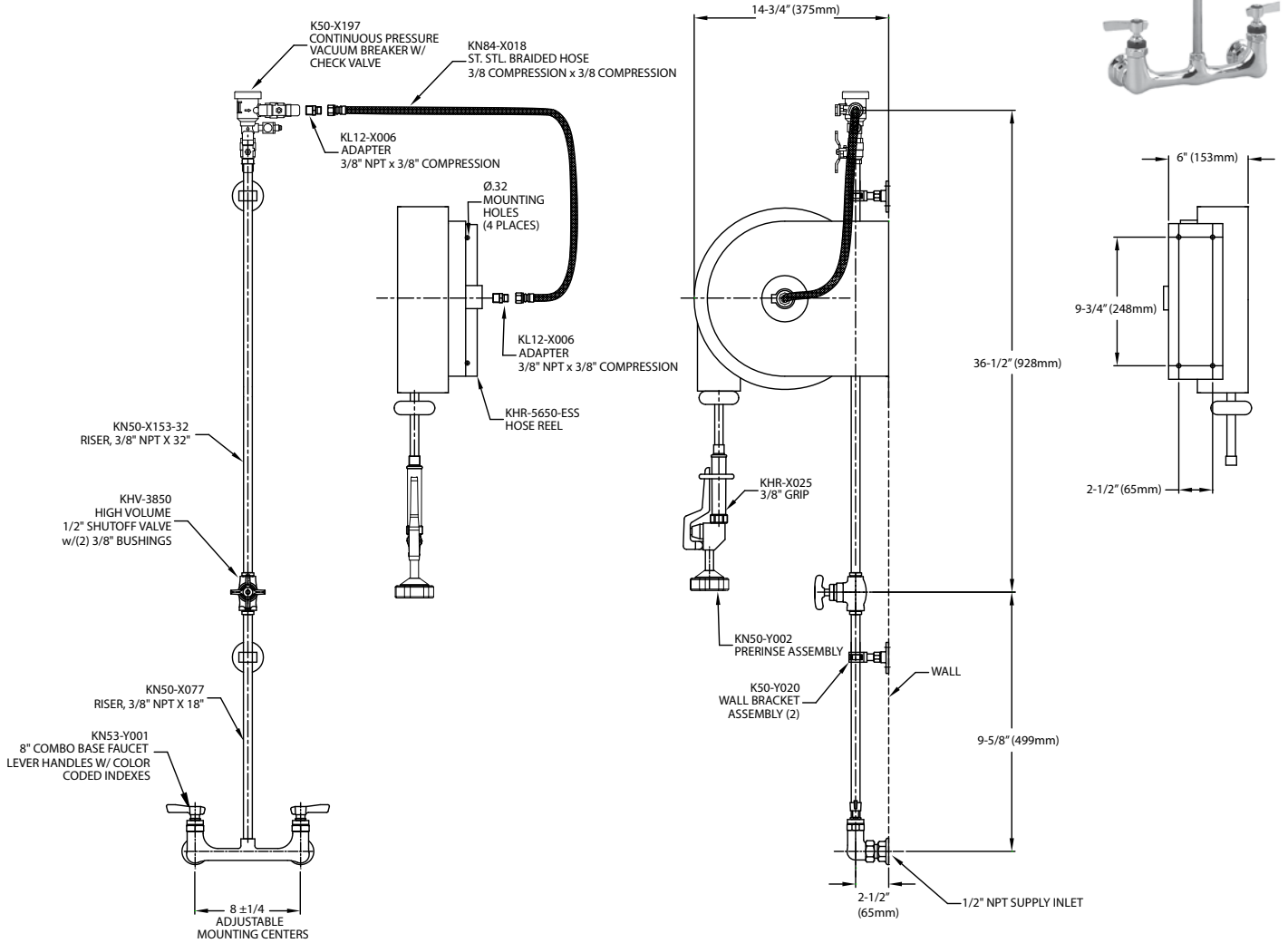
HOSE REEL, OPEN REEL KHR-1439 SERIES



Model No.	Hose Length	Finish	Spray Face
KHR-1439	50' (15240mm)	Stainless Steel	3.3GPM

For additional technical information visit our website for specification sheets.

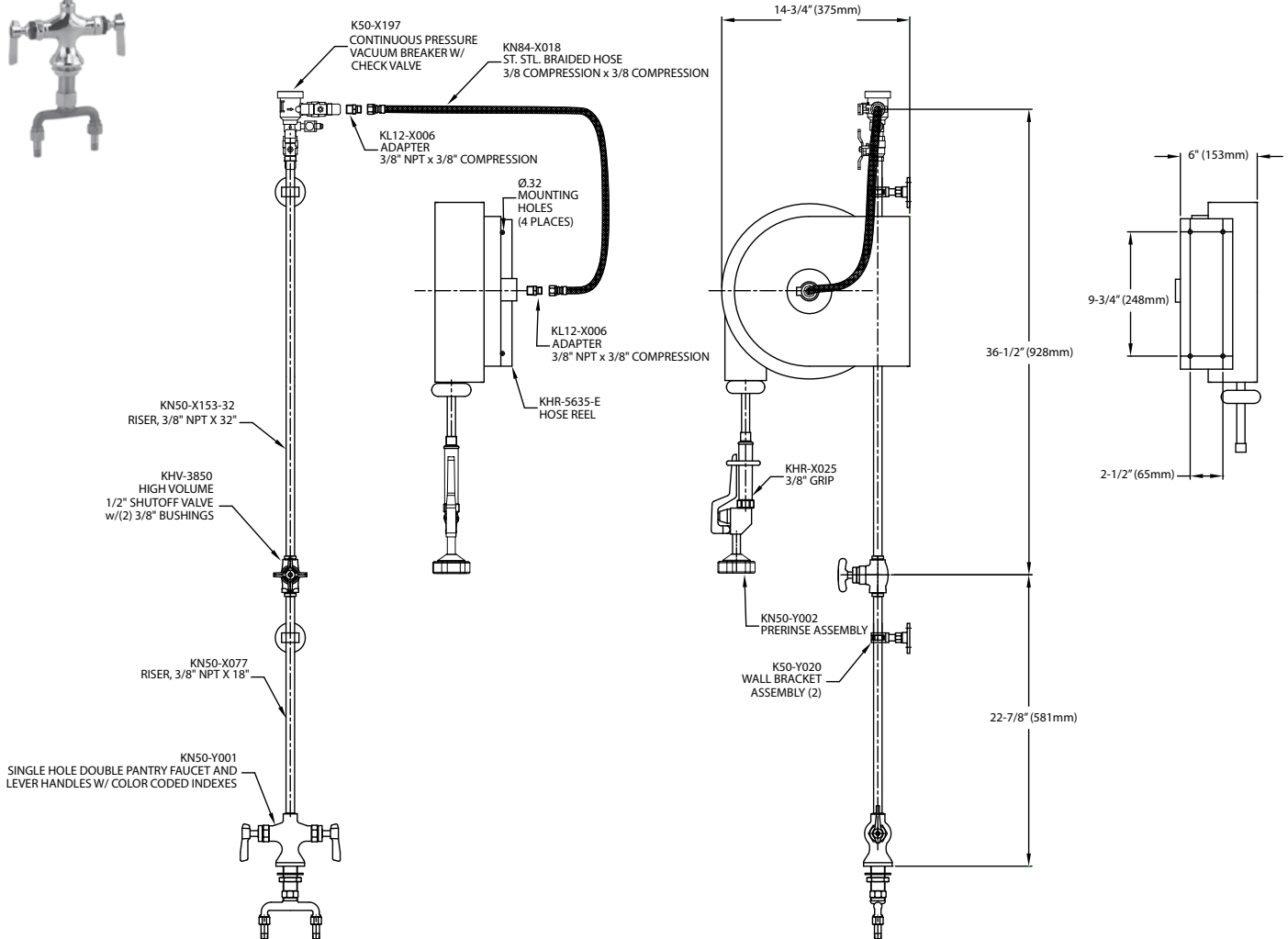
HOSE REEL, CLOSED REEL KHR-1444 SERIES



Model No.	Hose Length	Finish	Spray Face
KHR-1444	50' (15240mm)	Stainless Steel	3.3GPM

For additional technical information visit our website for specification sheets.

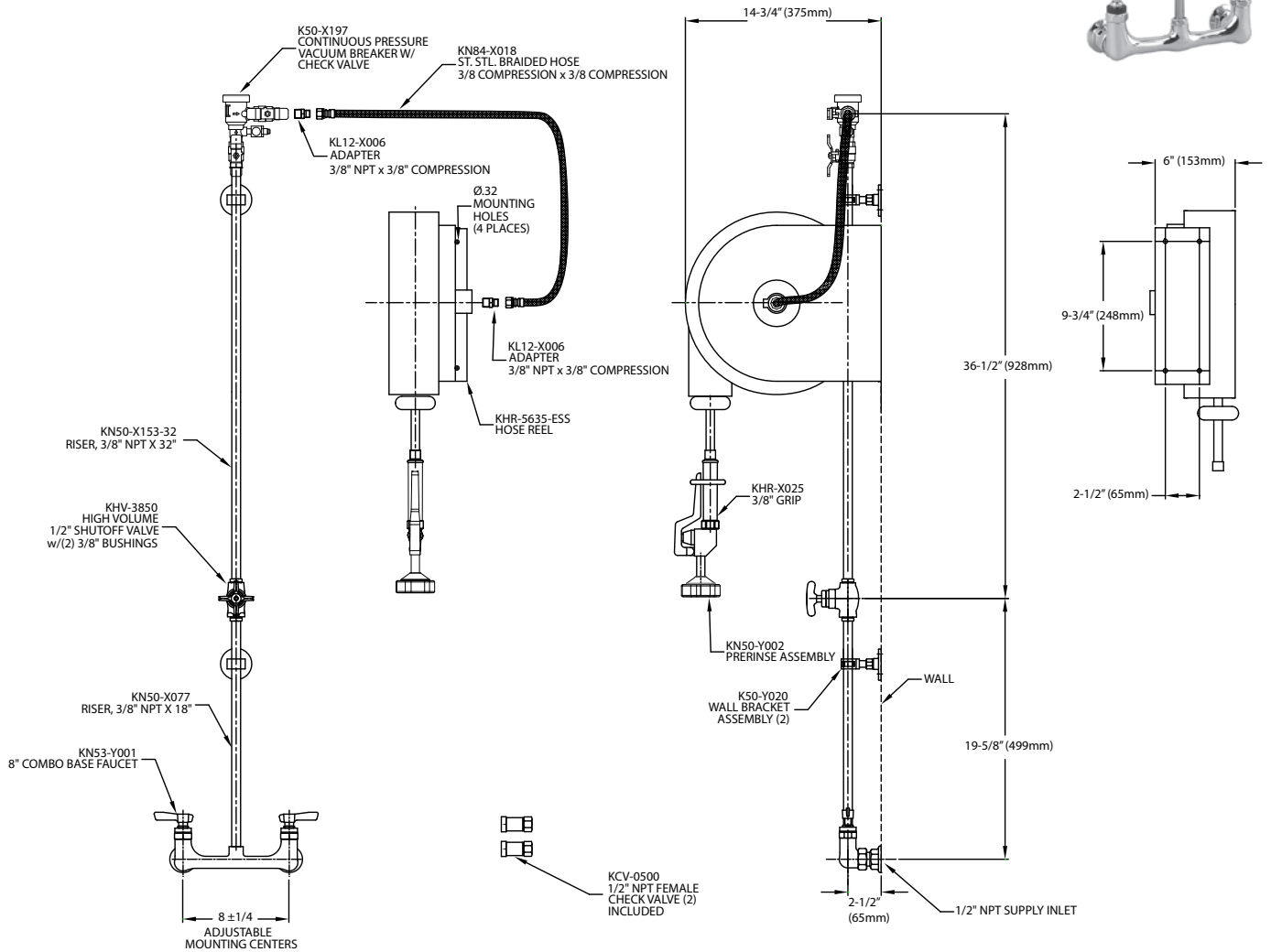
HOSE REEL, CLOSED REEL KHR-1457 SERIES



Model No.	Hose Length	Finish	Spray Face
KHR-1457	35' (11481mm)	Powder Coated	3.3GPM

For additional technical information visit our website for specification sheets.

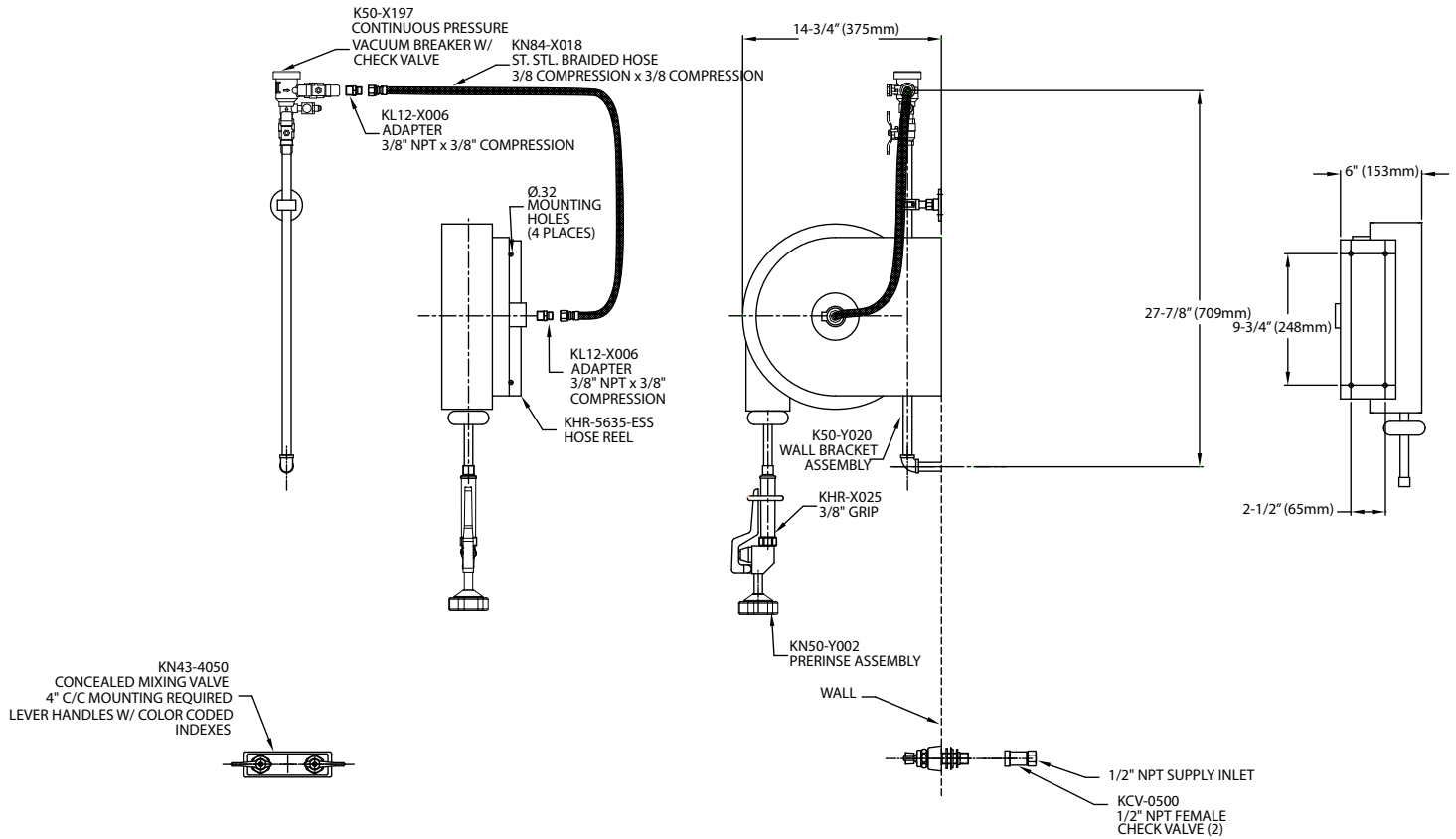
HOSE REEL, CLOSED REEL KHR-1458 SERIES



Model No.	Hose Length	Finish	Spray Face
KHR-1458	35' (11481mm)	Stainless Steel	3.3GPM

For additional technical information visit our website for specification sheets.

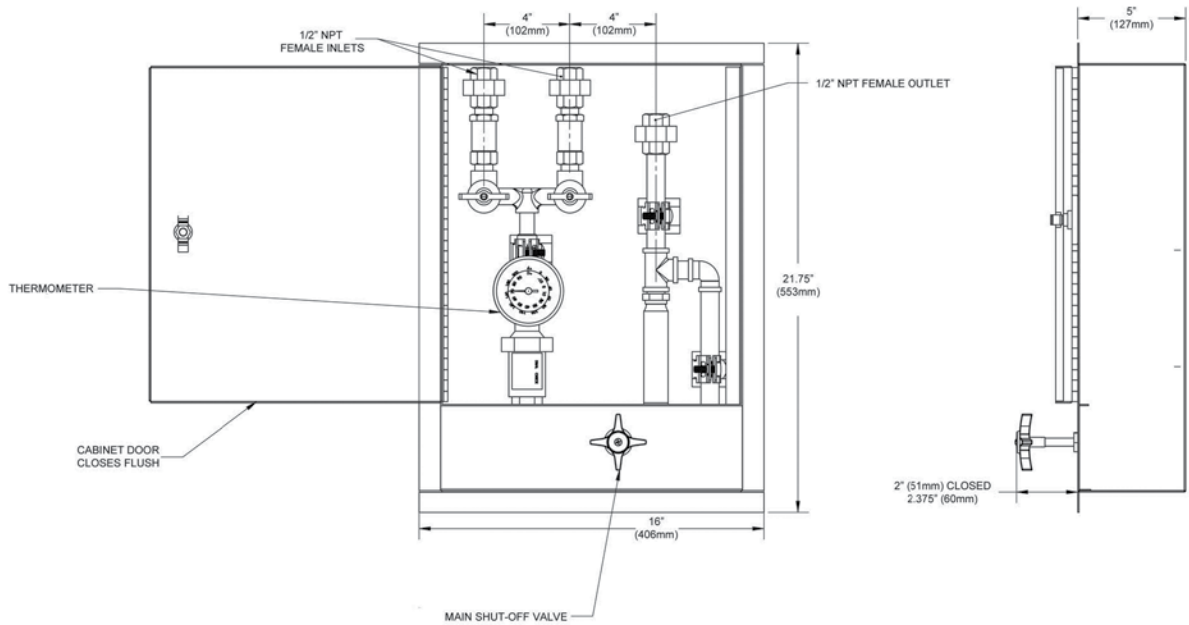
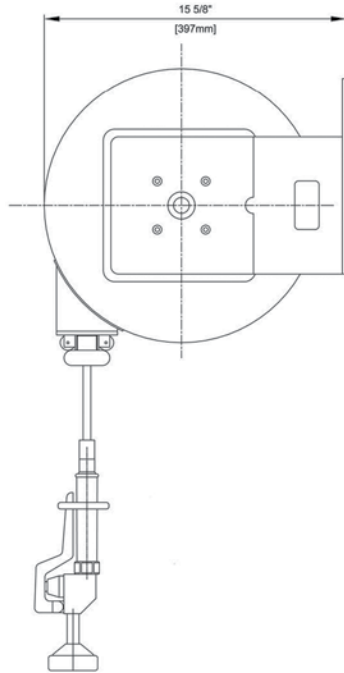
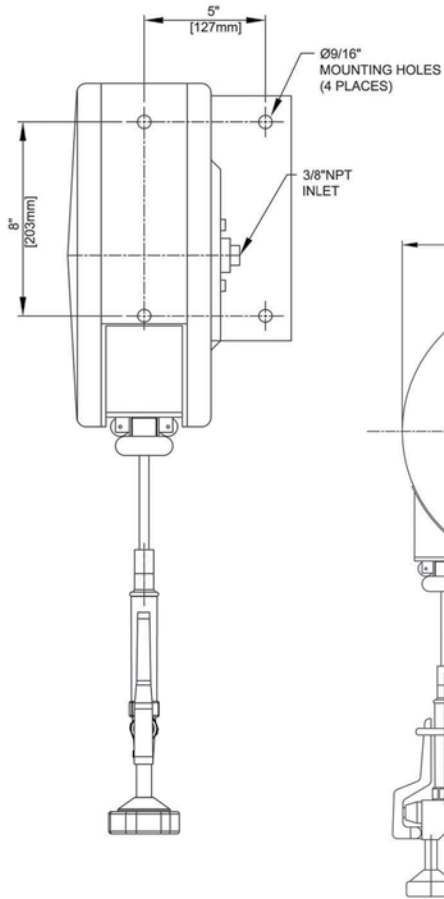
HOSE REEL, CLOSED REEL KHR-1459



Model No.	Hose Length	Finish	Spray Face
KHR-1459	35' (11481mm)	Stainless Steel	3.3GPM

For additional technical information visit our website for specification sheets.

HOSE REEL, CLOSED REEL KHR-2339 SERIES



Model No.	Hose Length	Finish	Spray Face
KHR-2339	30' (9144mm)	Powder Coated	3.3GPM
KHR-2339-S		Stainless Steel	
KHR-2339LR	Less Hose Reel		

For additional technical information visit our website for specification sheets.

ACCESSORIES AND REPLACEMENT PARTS AERATORS



Rose Spray Spout Tip

Model	Description
KL50-X120-S	Without SANIGUARD®
KL50-X120-SQ	With SANIGUARD

All metal, chrome plated
(Does not meet Go Green Standards)



14GPM @ 60PSI 55/64-27 Female Screen Bubbler

Model	KL50-X132
--------------	-----------



0.5GPM PCA Spray 15/16 Vandal Resistant Male Aerator

Model	KL50-X203-S
--------------	-------------



1.5GPM PCA Spray 15/16 Vandal Resistant Male Aerator

Model	KL50-X204-S
--------------	-------------



2.2GPM PCA Stream 55/64-27 Female Aerator

Model	KN50-X120
--------------	-----------

Non-splash aerator supplied on all Encore® and
TOP-LINE® faucets



55/64 PC Spray Aerator 0.5GPM Female Aerator

Model	KN50-X120-A
--------------	-------------



55/64 Laminar 1.5GPM Female Aerator

Model	KN50-X120-F
--------------	-------------



15/16 Stream 2.2GPM Male Aerator

Model	KN50-X121
--------------	-----------



15/16 PC Spray 0.5GPM Male Aerator

Model	KN50-X121-A
--------------	-------------



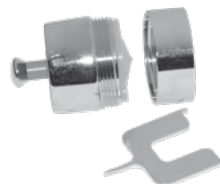
15/16 Laminar 1.5GPM Male Aerator

Model	KN50-X121-F
--------------	-------------



15/16 1.0GPM PC Spray Male Aerator

Model	KN50-X121-M
--------------	-------------



Encore One-Tap™ Metering Aerator

Model	Description
K50-X301	With 15/16-27 female x 55/64-27 female adapter

ACCESSORIES AND REPLACEMENT PARTS AERATORS



**2.2GPM Stream 55/64-27
Vandal Resistant
Female Aerator**

Model	Description
KN50-X201	
KL50-X201-K S	Key Only

Vandal resistant non-splash aerator



**55/64 PC Spray 0.5GPM
Female Aerator**

Model KN50-X201-A



**55/64 Laminar 1.5GPM
Female Aerator**

Model KN50-X201-F



**Vandal Resistant
55/64 Stream 2.2GPM
Female Aerator and Key**

Model	Description
KN50-X201-H	Aerator
KN50-X201-K	Key



**15/16 Stream
2.2GPM Male Aerator**

Model KN50-X203



**15/16 PC Spray 0.5GPM
Male Aerator**

Model KN50-X203-A



**15/16 1.0GPM Laminar
Vandal Resistant
Male Aerator**

Model KN50-X203-B



**15/16 1.0GPM Vandal
Resistant Male Aerator**

Model KN50-X203-C



**15/16 1.5GPM Vandal
Resistant Male Aerator**

Model KN50-X203-D



**15/16 Laminar 1.5GPM
Male Aerator**

Model KN50-X203-F



**55/64 PC Spray
0.35GPM Female Aerator**

Model KN50-X235-F



**15/16 PC Spray
0.35GPM Male Aerator**

Model KN50-X235-M



**13/16-27 PC Spray 0.35GPM
Male Aerator**

Model KN50-X305-A



**55/64 PC Spray 0.35GPM
Female Aerator**

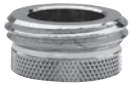
Model KN50-X335-F



**15/16 PC Spray 0.35GPM
Male Aerator**

Model KN50-X335-M

ACCESSORIES AND REPLACEMENT PARTS ADAPTERS



Female Hose Spout Adapter

Model KL11-X080

Attaches garden hose vacuum breaker to spout adapter. For use with K50-X136. 55/64-27 x 3/4".



Hose Adapter Kit

Model KL50-0400

Kit includes:
KL50-X234
 Garden Hose Adapter
KL50-X233
 Hose barb fitting 3/8" NPT x 1/2" hose
KL50-X032
 Hose barb fitting 3/8" NPT x 3/8" hose



Rigid to Swing Adapter

Model KL50-X075

To accommodate field conversion of faucets with 3/8" NPT female outlets to accept swing spouts or swivel gooseneck spout.



Top of Riser (Rigid) To Swing Adapter

Model KL50-X076

Used in combination with a riser pipe to accommodate a swing spout or swivel gooseneck spout application has 3/8" NPT female inlet.



Swing to Rigid Adapter

Model KL50-X122

To accommodate field conversion of faucets with standard Encore® and TOP-LINE® swivel spout outlets to accept 3/8" NPT male riser pipe or rigid gooseneck spouts.



Adapter Converts Encore® Hose to Fit Fisher Pre-Rinse

Model KL50-X127



Adapter Converts Encore® Hose to Fit Chicago Pre-Rinse

Model KL50-X128



Adapter Converts Std Hose Pre-Rinse Hose to Male 1/2" NPT

Model KL50-X129



Hose Connection Vacuum Breaker

Model KL50-X136

For hose thread faucets where pre-rinse or spray hoses may be attached. To prevent back flow of contaminated water into safe drinking water supply.



In-Line Vacuum Breaker for Top Of Riser Pipe Application

Model KL50-X139

Provided with 3/8" NPS female inlet and 3/8" NPS male outlet.



In-Line Vacuum Breaker for Bottom Of Riser Pipe Application

Model KL50-X139-B

Provided with 3/8" NPS male inlet & 3/8" NPS female outlet



Spout Adapter

Model KL50-X148

Adapts Encore spout to T&S faucet body



Spout Adapter

Model KL50-X149

Adapts Encore spout to Chicago faucet body



Chicago Grip Adapter 7/8" x 3/8"-18 NPT

Model KL50-X194



Continuous Pressure In-Line Vacuum Breaker for Hose Application

Model	Description
KL50-X196	Without Nipple
KL50-X196-SP	With 2" Nipple

A back siphonage preventer for units where pre-rinse or spray hoses may be attached. Prevents the back flow of contaminated water into the safe drinking water supply. Provided with 3/8" NPT inlet & outlet.



Adapter Converts Fisher Hose to Fit Encore Grip 7/8 -20 x 3/4-14

Model KL99-X102

ACCESSORIES AND REPLACEMENT PARTS ADAPTERS



**Adapter, 3/4-27 Female x
55/64-27 Male**

Model K12-0450



Garden Hose Bibb

Model K50-X234

3/8" NPT x 3/4" garden hose adapter.
Chrome plated brass.



**Aerator Adapter
3/8 x 55/64**

Model KN50-X373



Service Sink Adapter 1/2" NPT Rigid to Swivel

Model	Description
K77-X072	Regular Brass
KL77-X072	Low Lead



Adapter 1/2" NPT x 9/16-18 Hose

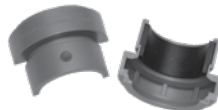
Model K79-X200

All adapters below are for KT-2000 found on page .



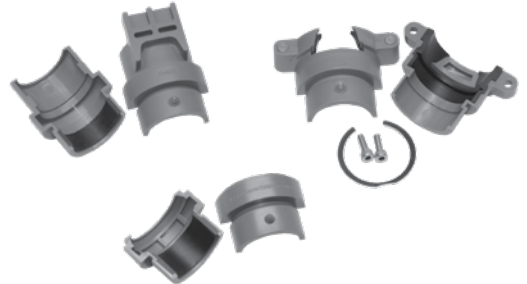
KT-2000 Adapter For Powers

Model KT-0577



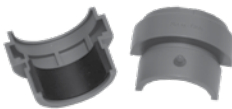
KT2000 Adapter For C&D Crane

Model KT-972



KT2000 Adapter For Canada

Model KT-973



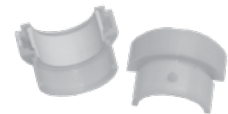
KT2000 Adapter For Sloan Gem

Model KT-979



KT2000 Adapter For Toto

Model KT-980



**KT2000 Adapter For
American Standard**

Model KT-990

ACCESSORIES AND REPLACEMENT PARTS CARTRIDGES



KL34 Series Compression Cartridge Valve for 3/4" (19mm) Faucets

Model	Units
KL34-Y006	Cold
KL34-Y007	Hot

S/S seats for 3/4" faucet KN34-X009-SS



KL35 Series Compression Cartridge Valve for 3/4" (19mm) Add-On Faucet

Model	Units
KL35-Y007	Hot

S/S seats for 3/4" faucet KN35-X010-SS



KL41/KL45 Series Compression Cartridge Short Barrel

Model	Units
KL41-Y006	Cold
KL41-Y007	Hot



KL41/KL45 Series Ceramic Cartridge Short Barrel

Model	Units
KL41-Y006-CV	Cold
KL41-Y007-CV	Hot



KL50 Series Compression Cartridge Long Barrel

Model	Units
KL50-Y006	Cold
KL50-Y007	Hot

Fits most KL/KN77/50/60/80 Series Faucets



KL50 Series Ceramic Cartridge Long Barrel

Model	Units
KL50-Y006-CCV	Cold
KL50-Y007-CCV	Hot

Fits most KL/KN77/50/60/80 Series Faucets



KL55 Series Compression Cartridge

Model	Units
KL55-Y010	Hot
KL55-Y011	Cold



KL41/KL45 Series Compression Cartridge with Standard Lever Handle

Model	Units
KL41-Y006-KT	Cold
KL41-Y007-KT	Hot



KL41/KL45 Series Ceramic Cartridge w/Standard Lever Handle

Model	Units
KL41-Y006CVKT	Cold
KL41-Y007CVKT	Hot



KL50 Series Compression Cartridge with Standard Lever Handle

Model	Units
KL50-Y006-KT	Cold
KL50-Y007-KT	Hot



KL50 Series Ceramic Cartridge with Standard Lever Handle

Model	Units
KL50-Y006CVKT	Cold
KL50-Y007CVKT	Hot



KL83/KL84 Series Oil Filled Metering Cartridge with Handle

Model	Units
KL84-Y006	Cold
KL84-Y007	Hot
KL84-Y008	Universal

Does not fit KL41/45 Series Faucets



Single Lever Faucet Replacement Cartridge

Model	Description
KN81-0010	Ceramic Cartridge Only
KN81-0100	With Bonnet & Cover

ACCESSORIES AND REPLACEMENT PARTS HANDLES AND REPAIR KITS



Encore® Standard Lever Handle, Indicator & Screw

Model	Units
K50-0110	Single
K50-0110-PR	Pair



Encore® 4" Wrist Blade Handle, Indicator and Screw

Model	Units
K50-0001	Pair



Encore® 6" Wrist Blade Handle, Indicator and Screw

Model	Units
K50-0001-6	Pair



Encore® Cross Handle, Indicator and Screw

Model	Units
K50-0111	Pair



Designer Handles

Model	Description
K50-X117 (1 Pair)	Chrome Plated

Chrome plated acrylic in smart, contemporary design. Smooth, secure grip. May be used on any Encore faucet or pre-rinse unit.



Encore® Die Cast Designer Type Handle

Model	Units
K35-0117	Single



Encore® Metering Handle, Indicator and Screw

Model	Units
KN84-0001	Cold/Hot
KN84-X023	Universal

Only fits CHG metering valve cartridge



Wrist Handles for KHS Series Faucet

Model	Units
KHS-0001	



KL78 Series Hot and Cold Repair Kit

Model	Units
K78-0010	

For K78 Series only



KL18 Series Repair Kit

Model	Units
KL18-0010	



KL22 Series Dipperwell Faucet Handle Repair Kit

Model	Units
KL22-0010	



KL26 Series Glass Filler Repair Kit

Model	Units
KL26-0010	



Repair Kit for KHS Series Faucet

Model	Units
KHS-0010	



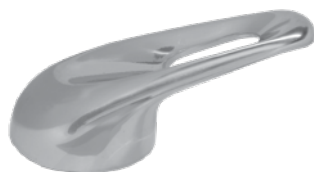
Vacuum Breaker Repair Kit

Model	Units
K78-0020	



Cap For Wrist Handle

Model	Units
K50-X134	



Loop Handle for KN81 Faucets

Model	Units
KN81-0037	



Long Handle for KN81 Faucets

Model	Units
KN81-02928	

ACCESSORIES AND REPLACEMENT PARTS RETROFIT



Retrofit Handles	
Model	Description
K94-0110-S	Handle for T&S Faucet - Single
K94-0110-PR	Handle for T&S Faucet - Pair
K95-0110-S	Handle for Chicago/Zurn Faucet - Single
K95-0110-PR	Handle for Chicago/Zurn Faucet - Pair
K94-0001-S	4" (102mm) Wrist Handle for T&S Faucet - Single
K94-0001-PR	4" (102mm) Wrist Handle for T&S Faucet - Pair
K95-0001-S	4" (102mm) Wrist Handle for Chicago/Zurn Faucet - Single
K95-0001-PR	4" (102mm) Wrist Handle for Chicago/Zurn Faucet - Pair
K94-0001-6S	6" (152mm) Wrist Handle for T&S Faucet - Single
K94-0001-6PR	6" (152mm) Wrist Handle for T&S Faucet - Pair
K95-0001-6S	6" (152mm) Wrist Handle for Chicago/Zurn Faucet - Single
K95-0001-6PR	6" (152mm) Wrist Handle for Chicago/Zurn Faucet - Pair
K95-0200	Metering Handle for Chicago/Zurn Faucet - Single

Retrofit Gooseneck Spouts	
Model	Description
KS11-12X000QC	Gooseneck 3" (76mm) spout for Chicago/Zurn Faucets
KS11-12X002QC	Gooseneck 6" (152mm) spout for Chicago/Zurn Faucets
KS11-12X001QC	Gooseneck 8" (203mm) spout for Chicago/Zurn Faucets
KS11-12X000QT	Gooseneck 3" (76mm) spout for T&S Faucets
KS11-12X002QT	Gooseneck 6" (152mm) spout for T&S Faucets
KS11-12X001QT	Gooseneck 8" (203mm) spout for T&S Faucets

Retrofit Horizontal Spouts	
Model	Description
KS11-12X006QC	Horizontal 6" (152mm) spout for Chicago/Zurn Faucets
KS11-12X008QC	Horizontal 8" (203mm) spout for Chicago/Zurn Faucets
KS11-12X010QC	Horizontal 10" (254mm) spout for Chicago/Zurn Faucets
KS11-12X012QC	Horizontal 12" (305mm) spout for Chicago/Zurn Faucets
KS11-12X006QT	Horizontal 6" (152mm) spout for T&S Faucets
KS11-12X008QT	Horizontal 8" (203mm) spout for T&S Faucets
KS11-12X010QT	Horizontal 10" (254mm) spout for T&S Faucets
KS11-12X012QT	Horizontal 12" (305mm) spout for T&S Faucets



Retrofit Adapters and Aerators	
Model	Description
KL50-X148	T & S spout adapter
KL50-X149	Chicago spout adapter



Retrofit Die Cast Universal Tank Lever	
Model	Description
KT-1000	Die Cast Universal Replacement Tank Lever with Brass Rod (Fits Most Manufacturers)



ACCESSORIES AND REPLACEMENT PARTS SPOUTS



Adjustable & Rigid Gooseneck

Model	Style	Length	Model w/SANIGUARD®
KS11-12-X000	Adjustable	3-1/2" (89mm)	KS11-12-X000Q
KS11-12-X002		6" (152mm)	KS11-12-X002Q
KS11-12-X001		8" (203mm)	KS11-12-X001Q
KS11-12-X100	Rigid	3-1/2" (89mm)	KS11-12-X100Q
KS11-12-X102		6" (152mm)	KS11-12-X102Q
KS11-12-X101		8-1/2" (216mm)	KS11-12-X101Q



Horizontal Tubular

Model	Length	Model w/SANIGUARD
KS11-12-X006	6" (152mm)	KS11-12-X006Q
KS11-12-X008	8" (203mm)	KS11-12-X008Q
KS11-12-X010	10" (254mm)	KS11-12-X010Q
KS11-12-X012	12" (305mm)	KS11-12-X012Q
KS11-12-X014	14" (356mm)	KS11-12-X014Q
KS11-12-X016	16" (406mm)	KS11-12-X016Q
KS11-12-X018A	18" (457mm)	KS11-12-X018AQ



Extension For Double Jointed Spout

Model	Length
KL11-12-X106	6" (152mm)
KS11-12-X112	12" (305mm)



Double Jointed Spout

Model	Length
KS11-12X012DJ	12" (305mm)
KL11-X018	18" (457mm)



Swivel and Rigid Vacuum Breaker Spout

Ref.	Model	Spout Length	Height	Style
A	K11-Y250-G	6" (152mm)	5" (127mm)	Swivel
	K11-Y251-G	8" (203mm)		
	K11-Y252-G	12" (305mm)		
B	K11-Y253-G	6" (152mm)	9" (229mm)	Swivel
	K11-Y254-G	8" (203mm)		
	K11-Y255-G	12" (305mm)		
C	K11-Y253-K	6" (152mm)	9" (229mm)	Rigid
	K11-Y254-K	8" (203mm)		
	K11-Y255-K	12" (305mm)		



8" (203mm) Bent Riser Spout

Model	KN11-X803
-------	-----------



9-1/2" (241mm) Arched Tubular Spout

Model	KN11-Y309
-------	-----------



Straight Cast Swing Spout

Model	Length
KL11-Y406	6" (154mm)
KN11-Y408	8" (203mm)



Straight Cast Swing Spout Extensions

Model	Length
K11-Y507	7" (178mm)
K11-Y512	12" (305mm)



Double Jointed Straight Cast Swing Spout

Model	Length
KL11-X412-DJ	12" (305mm)

ACCESSORIES AND REPLACEMENT PARTS

FAUCET BODIES



**8" (203mm)
Splash Mount Pre-Rinse Body**

Model	Description
KL53-Y001-XZ	Compression
KL53-Y001-CCV	Ceramic



**8" (203mm)
Splash Mount Faucet Body**

Model	Description
KL54-Y001-XZ	Compression
KL54-Y001-CVXZ	Ceramic



Double Pantry Pre-Rinse Body

Model	Description
KL50-Y001-XZ	Compression
KL50-Y001-CCV	Ceramic



Double Pantry Faucet Body

Model	Description
KL51-Y001	Compression



**4" (102mm) Bridge
Deck Mount Pre-Rinse Body**

Model	Description
KL56-Y003	



**4" (102mm) Bridge
Deck Mount Faucet Body**

Model	Description
KL57-Y003	



**8" (203mm) Bridge
Deck Mount Pre-Rinse Body**

Model	Description
KL60-Y001	



**8" (203mm) Bridge
Deck Mount Pre-Rinse Body**

Model	Description
KL60-Y003-XZ	Compression
KL60-Y003-CCV	Ceramic



**8" (203mm) Bridge
Deck Mount Faucet Body**

Model	Description
KL61-Y001	



**6" (152mm) Bridge
Deck Mount Pre-Rinse Body**

Model	Description
KL66-Y001-XZ	



**6" (152mm) Bridge Deck Mount
Body w/ 6" Couplings**

Model	Description
KL66-Y003	



**Hybrid 4" (102mm)
Splash/Deck Body**

Model	Description
KHS11-Y001	



**Single Deck Mount
Pre-Rinse Body**

Model	Description
KL63-Y001-XZ	



**Single Deck Mount
Faucet Body**

Model	Description
KL64-Y001	



**Wok Range Single Splash Mount
Faucet Body**

Model	Description
KL70-Y001-XZ	



Splash Mount Shut-Off Body

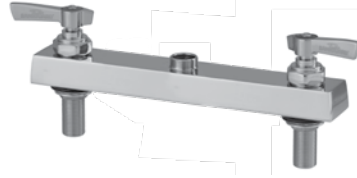
Model	Description
KL70-Y002	

ACCESSORIES AND REPLACEMENT PARTS FAUCET BODIES



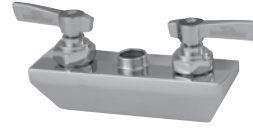
4" (102mm) Deck Mount

Model	Description
KL41-Y002-XZ	Compression
KL41-Y002-CV	Ceramic



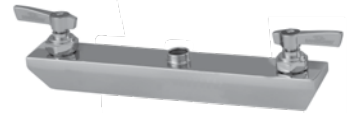
8" (203mm) Deck Mount

Model	Description
KL41-Y003	Compression
KL41-Y003CVXZ	Ceramic



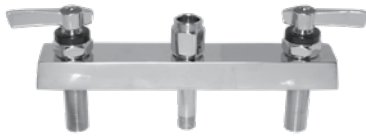
4" (102mm) Splash Mount

Model	Description
KL45-Y002-XZ	Compression
KL45-Y002-CV	Ceramic



8" (203mm) Splash Mount

Model	Description
KL45-Y003	Compression
KL45-Y003-CV	Ceramic



8" (203mm) Kitchen Deck Mount with Side Spray Diverter

Model	Description
KL41-Y004-XZ	



4" (102mm) Deck Mount with Ceramic Valves

Model	Description
KL83-Y101	



4" (102mm) Deck Mount with Metering Valves

Model	Description
KL83-Y201	



4" (102mm) Pop-Up Deck Mount

Model	Description
KL85-Y101	



Single Splash Mount

Model	Description
KL50-X123	



Single Deck Mount

Model	Description
KL50-X125	



Wide Spread Body

Model	Description
KL84-Y101-CXZ	Cold Ceramic Valve
KL84-Y101-HXZ	Hot Ceramic Valve
KL84-Y201-U	Metering Valve



Spout Base Assembly 3/8-18 NPT

Model	Description
KL84-Y015	



5" (127mm) Cast Spout Base Assembly Only

Model	Description
KL84-Y005-CA	0.5GPM
KL84-Y005-CE	2.2GPM



5" (127mm) Pop-Up Cast Spout Base

Model	Description
KL86-Y005-CE	



5" (127mm) Cast Spout Faucet Body

Model	Description
KL87-X001-UA	



Kitchen Deck Mount

Model	Description
KL88-Y124	

With third waterway inlet

ACCESSORIES AND REPLACEMENT PARTS

PRE-RINSE



Pre-Rinse Top Half, Riser, Hook, Spring, Wall Bracket, Hose & Spray Valve

Model KL50-Y000-PRB



Pre-Rinse Top Half, 12" (305) Swivel Arm, Hook, Spring, Wall Bracket, Hose & Spray Valve

Model KL50-Y2612RPB



6" (152mm) Bridge Deck Mount Body Only

Model KL66-Y003



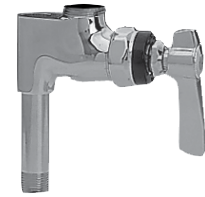
Single Handle Splash Mount Body Only

Model KL69-Y001



Single Splash Mount Post Only

Model KL50-X124



1/2" (13mm) Add-On Faucet

Model **Description**

KL55-Y001-Z



Replacement Spring

Model	Description
K50-X033	Chrome Plated
K50-X178	Stainless Steel
K50-X033-M	Mini S/S Type 304

Chrome plated and stainless steel heavy-duty gooseneck spring, heat treated, nickel plated. Ensures convenient hose position and flexibility.



Heavy Duty Swivel Arm Support

Model K50-Y500-Z

Easily mounts to riser pipe and swivel arm. Allows full swing while providing additional support when Pre-Rinse is exposed to severe field use.



Swivel Arm Assembly

Model	Length
KL50-Y050-12	12" (305mm)
KL50-Y050-18	18" (457mm)



Wall Bracket

Model K50-Y020-Z

Assembly includes 12" (305mm) nipple which may be cut to permit adjustments between 2" and 12" (51mm and 305mm). New compression fitting allows fast, positive connection.



Wall Hook

Model **Description**

K50-Y012-Z

K50-Y012-P Security Style

Permits spray valves to be conveniently hung in place when not in use. Furnished with chrome plated base and coated hook.



Hook-Screw Assembly

Model K50-Y011



Swivel Joint

Model KL50-Y051



Rigid Tee Water Supply Kit	
Model	KL50-0500
To supply water to dishwashing soap systems	



Deck Faucet Mounting Kit	
Model	KL60-Y010
Kit has been designed for simple installation of deck faucets. Contains two each of 1/2" NPS nipples, washers and locknuts.	



Splash Faucet Mounting Kit	
Model	KL40-1000
Kit has been designed for simple installation of wall faucets within the standard backsplash space. Contains two each of 1/2" NPS nipples, 1/2" NPT x 1/2" sweat ells, washers and locknuts.	



Splash Mount Kit	
Model	Description
KL40-2000	Close Elbow
KL40-2020	Close Elbow with (2) Nipples



KL55 Series Add-On Faucet w/Swing Spout	
Model	Spout Length
KL55-7006	6" (152mm)
KL55-7008	8" (203mm)
KL55-7010	10" (254mm)
KL55-7012	12" (305mm)
KL55-7014	14" (356mm)
KL55-7016	16" (406mm)
KL55-7018	18" (457mm) Double Jointed
KL55-7018ASE1	18" (457mm)



Rigid Riser Pipe	
Model	Length
KL50-X153-5	5" (127mm)
KL50-X153-7	7" (178mm)
KL50-X153-8	8" (203mm)
KL50-X153-12	12" (305mm)
KL50-X153-14	14" (357mm)
KL50-X077	18" (457mm)
KL50-X029	24" (610mm)
KL50-X153-26	26" (660mm)
KL50-X153-32	32" (813mm)

Stainless Steel 24" (610mm) Riser	
Model	KN50-X029-SS



Quick Disconnect Pre-Rinse Assembly	
Model	K50-Y604



Quick Disconnect	
Model	Description
KL50-QDISKTS	Retrofit Kit for T&S
KL50-QDISKFM	Retrofit Kit for Fisher



Add-On Faucet Assembly Less Nipple	
Model	KL55-Y002-Z



Spring Retainer	
Model	KL50-X032

ACCESSORIES AND REPLACEMENT PARTS

PRE-RINSE

Encore® Premium hoses are covered by a 3-year warranty.

Encore Premium hose assemblies are constructed with a strong, flexible stainless steel outer casing over a nylon reinforced Santoprene® core. The Encore Premium Pre-Rinse Hose has been specially designed to significantly minimize any incidence of failure. At the point where most other hoses fail, Encore has added a strain relief coil of .125 (3mm) diameter chrome plated wire. This special coil transfers the load stress away from the part of the hose most subject to flexing and distributes it evenly over an extended area, thus adding significantly to the life of the hose. When you want the best hose on the market specify Encore Premium hose assemblies.



Premium Hose Assemblies					
Premium w/Grip	Hose Length	Premium w/out Grip	Hose Length	Premium Universal Fit w/Grip	Hose Length
KL50-Y004-20	20" (508mm)	KL50-Y010-20Z	14" (356mm)	KL50-Y004-20U	20" (508mm)
KL50-Y004-26	26" (660mm)	KL50-Y010-26Z	20" (508mm)	KL50-Y004-26U	26" (660mm)
KL50-Y004-36	36" (914mm)	KL50-Y010-32Z	32" (813mm)	KL50-Y004-36U	36" (914mm)
KL50-Y004-44	44" (1118mm)	KL50-Y010-44Z	38" (965mm)	KL50-Y004-44U	44" (1118mm)
KL50-Y004-60	60" (1524mm)	KL50-Y010-60Z	54" (1372mm)	KL50-Y004-60U	60" (1524mm)
KL50-Y004-72	72" (1829mm)	KL50-Y010-72Z	66" (1676mm)	KL50-Y004-72U	72" (1829mm)
KL50-Y004-96	96" (2438mm)	KL50-Y010-96Z	90" (2286mm)	KL50-Y004-96U	96" (2438mm)

All models above replace all major manufacturers' pre-rinse hoses

Encore Commercial pre-rinse hoses are an economical alternative to other manufacturers' hoses. Encore Commercial hoses offer the same features as the competition, but at an economical price. One year warranty.

Commercial Hose Assemblies					
Commercial w/Grip	Hose Length	Commercial w/out Grip	Hose Length	Commercial Universal Fit w/Grip	Hose Length
KC50-Y004-20	20" (508mm)	KC50-Y01020XZ	14" (356mm)	KC50-Y004-20U	20" (508mm)
KC50-Y004-26	26" (660mm)	KC50-Y01026XZ	20" (508mm)	KC50-Y004-26U	26" (660mm)
KC50-Y004-44	44" (1118mm)	KC50-Y01044XZ	38" (965mm)	KC50-Y004-44U	44" (1118mm)
KC50-Y004-60	60" (1524mm)	KC50-Y01060XZ	54" (1372mm)	KC50-Y004-60U	60" (1524mm)
KC50-Y004-72	72" (1829mm)	KC50-Y01072XZ	66" (1676mm)	KC50-Y004-72U	72" (1829mm)
KC50-Y004-96	96" (2438mm)	KC50-Y01096XZ	90" (2286mm)	KC50-Y004-96U	96" (2438mm)

All models above replace all major manufacturers' pre-rinse hoses



Hose Assembly with Adapter

Model KL50-Y401-44Z



Hose Assembly with Continuous Pressure In-Line Vacuum Breaker

Model	Hose Length
KL50-Y016-44	44" (1118mm)
KL50-Y016-44U (with universal adapter)	44" (1118mm)
KL50-Y016-72	72" (1829mm)

For use on Pre-Rinse units where additional backflow prevention is desirable. Prevents the flow of contaminated water into the safe water drinking supply. 44" (1118mm) is the standard length on all Encore pre-rinse units. Three year warranty.

*Santoprene® is a registered trademark of ExxonMobil Corporation

POWER PULSE™

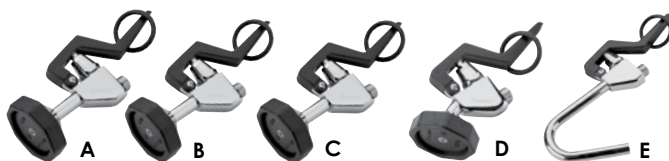
- **KLP50-0220105** cleans **43% faster** and uses **58% less water** than top competitor's spray head
- **KLP50-0220-74** cleans **33% faster** and uses **65% less water** than top competitor's spray head
- **KLP50-0220-65** cleans **20% faster** and uses **17% less water** than top competitor's spray head



PowerPulse™ Spray Valve Assembly

Model	Description
KLP50-0220-45	0.45GPM
KLP50-Y002-45*	
KLP50-0220-65	0.67GPM
KLP50-Y002-65*	
KLP50-0220-74	0.74GPM
KLP50-Y002-74*	
KLP50-0220105	1.05GPM
KLP50-Y002105*	
KLP50-0220-12	1.22GPM
KLP50-Y002-12*	
KLP50-0220152	1.52GPM
KLP50-Y002152*	

*Without grip and adapters



Spray Valve Assemblies

Ref.	Model	Description
A	KL50-Y002	Utility Spray Valve, 3.3GPM
B	KL50-Y002-065	Low Flow Spray Valve, 0.65GPM
C	KL50-Y00212XZ	Low Flow Spray Valve, 1.2GPM
D	KL50-Y030-Z	Angled Spray Valve, 3.3GPM
E	KL50-Y031-Z	Pot Filler Spray Valve Assembly



44" (1118mm) Low Lead Hose With 1.6GPM Spray Assembly, Grip & Adapters

Model	Description
KL50-Y0004412	



PowerPulse 2.5GPM High Flow Spray Valve for Hose Reel Applications

Model	Description
KLP50-0220-25	With Grip
KLP50-Y002-25	Without Grip



Spray Valve Kits

Model	Description
KL50-0220-065	Low Flow 0.65GPM
KL50-0220-12	Low Flow 1.2GPM
KL50-0220*	Universal 3.3 GPM

*Pre-Rinse Spray Assembly complete with grip and adapters to fit other manufacturers' hoses.



Stainless Steel Flex Hose

Model	Hose Length
KL50-Y015-15Z	15" (381mm)
KL50-Y210-22	22" (559mm)
KL50-Y210-28Z	28" (711mm)



44" (1118mm) Hose with Spray and Kool Grip™

Model	Description
KL50-Y004-44S	



44" (1118mm) Low Lead Hose Includes Grip and Bent Spray Head Assembly

Model	Description
KL50-Y000	



60" (1524mm) Low Lead Hose With Pot Filler Valve

Model	Description
KL50-Y000-60	



Variable Flow Spray

Model	Description
KLF-Y104A	



- Low lead brass construction
- Designed to provide superior performance and durability for tough foodservice environments
 - Effectively removes food or residue on dishware
- Interchangeable with all major brands
 - Meets new EPA Class II water conservation requirements
 - Protective dish guard bumper-eliminates leaking
- 1.15 gpm fan knife spray powers off debris quickly while conserving water
 - Encore "Kool Grip" insulated grip

1.15GPM Fan Spray

Model	Description
KL50-0220-FS	With Grip & Universal Adapters
KL50-Y002-FS	With Grip

ACCESSORIES AND REPLACEMENT PARTS

PRE-RINSE



Spray Head Repair Kit

Model	Description
KL50-0200	3.3GPM
KL50-0200-16	1.6GPM
KL50-0200-ECO	Low Flow – 1.2GPM



Universal Utility Spray Replacement Kit

Model	Description
KL50-0230	



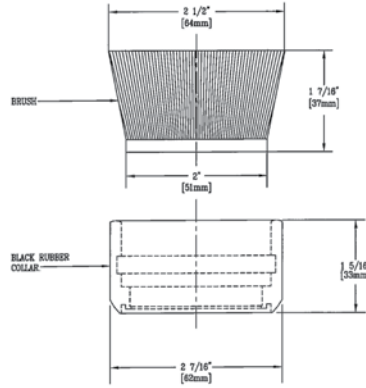
Pot Filler Spray and Grip Assembly

Model	Description
KL50-0232	



Spray Handle

Model	Description
K50-X016	



Kool Grip™ Hose Grip

Model	Description
KN50-X025-Z	With Logo
KN50-X025-SGZ	Without Logo
KN50-X025-W	1/4-20 Set Screw



Spray Handle with Screw Assembly

Model	Description
K50-X016-SP	



Pre-Rinse Spray Brush Attachment

Model	Description
KN50-XBR10	



Screw For Pre-Rinse Spray Face

Model	Description
KN50-X064	



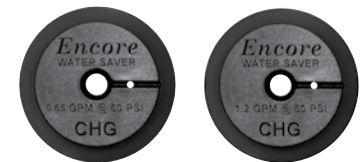
Spray Face 3.3 GPM

Model	Description
KN50-X065	



Water Saver Face Plate 1.6GPM

Model	Description
KN50-X135	



Low Flow Water Saver Face Plate

Model	Description
KN50-X135-065	0.65GPM
KN50-X135-12	1.2GPM



Spray Head Bumper

Model	Description
KN50-X210	



Spray Head Face, Bumper and Screw

Model	Description
KN50-0300-PS	



Button Valve

Model	Description
KL50-Y027	



Holding Ring

Model	Description
K50-X017	

ACCESSORIES AND REPLACEMENT PARTS MISCELLANEOUS



3/8" x 1" Close Nipple CP	
Model	K50-X250



1/2" Nipple CP 16.13" Long	
Model	K50-X254



1/2" Sweep Nipple CP	
Model	K50-X255



Extension Nipples	
Model	Description
K60-Y101-2	2" (51mm)
K60-Y101-5	5" (127mm)



3/8" Chrome Plated Short Nipple	
Model	KL50-X153-S



Nipple	
Model	Description
KL55-X002	3" (76mm)
KL55-X009	2" (51mm)



Nipple 1/2" NPT/NPS x 3" (76mm) Long	
Model	KL70-X003



Nipple 1/2" x 7-5/8"	
Model	KL76-X001



Easy Install Riser Pipe	
Model	Height
KL50-Y226-2	2" (51mm)
KL50-Y226-11	11" (279mm)
KL50-Y226-18	18" (457mm)
KL50-Y226-24	24" (610mm)
KL50-Y226-26	26" (660mm)
KL50-Y226-32	32" (813mm)



Swing Nozzle	
Model	Description
KL50-Y025	90 Degree
KL50-Y026	180 Degree



7" (178mm) Swivel Riser	
Model	KN50-Y026-7



3/8" 90 Degree Elbow CP	
Model	K50-X251



QUIK-WASH™ Hand Wash Faucet Control	
Model	Description
KL91-0100	Single
KL91-0100-B	Bulk



Serrated Tip for Vacuum Breaker Spout 3/8" Male Thread	
Model	KN11-Y208



Pop-Up Drain	
Model	D71-1000



Inlet Nut for Flex Hose	
Model	KL50-X038



3/8" Chrome Plated Plug	
Model	KL50-X220



Thermostatic Mixing Valve	
Model	Description
KL19-X025	9/16" Thread
KL19-X026	1/2" Thread



Temperature Mixing Valve	
Model	KL63-Y005



Temperature Mixing Valve	
Model	Description
KL90-X015	
KL90-X015-M	

ACCESSORIES AND REPLACEMENT PARTS

MISCELLANEOUS



5/8" OD Washer

Model KN50-X014



Seat Washer

Model KN50-X024



Large Flat Washer

Model K40-X010



Inlet Gasket For KL50 Faucet Body

Model KN50-X041



Gasket Bottom For KL50 Valves

Model KN50-X053



Gasket Top For KL50 Valves

Model KN50-X054



Encore Spout O-Ring

Model KN11-X025



Mounting Kit

Model K70-Y003



Mounting Kit

Model KL84-1000



Mounting Kit

Model KL84-Y010



Escutcheon

Model K70-X002



Pop-Up Spout Base Assembly

Model KL86-Y015



1/2" Faucet O-Ring Washer Replacement Kit

Model KN53-KIT-PS



Stainless Steel Seat Screw For Encore Valves

Model KN50-X152



Seat Spring For Encore Valves

Model KN50-X048



Choice of inlets permit easy, fast installation by providing adjustability of different faucet or pre-rinse centers to match varying installation (piping) centers.

Adjustable Supply Inlets

Ref.	Model	Eccentric	Total Range 2 (Inlets)
A	KL60-Y004	1/2" (13mm)	1" (25mm)
B	KL60-Y005	1" (25mm)	2" (51mm)
C	KL60-Y006*	None	N/A

*KL60-Y006 is supplied on all Encore® wall mount faucets and pre-rinse units.

**Each Inlet also provides an additional plus or minus 1/4" (6mm) compensation to accommodate varying field conditions.



1/2" Inlet Assembly for 45 Degree Backsplash

Model K50-Y047



'Y' Supply Inlet

Model KL90-X017-M



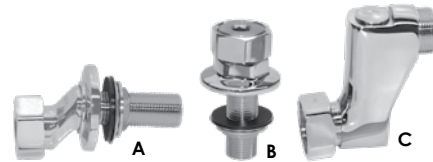
4 Way Cross Fitting 4 x 3/8" NPT

Model KL50-X230



T-Fitting 3/8" NPT

Model	Description
K50-X203	Regular Brass
KL50-X203	Low Lead



Coupling

Ref.	Model	Description
A	KL60-Y012	1/2" Offset
B	KL60-Y013	Straight Supply
C	KL60-Y114	1/2" Offset With Stop

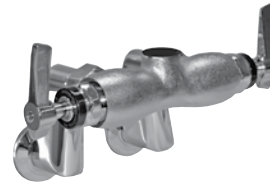
ACCESSORIES AND REPLACEMENT PARTS SERVICE SINK



Service Sink Faucet Body	
Model	KL77-Y003-XZ



Service Sink Faucet Body	
Model	Description
K77-Y003-P	Regular Brass
KL77-Y003-P	Low Lead



Rough Brass Splash Mount	
Model	K89-Y001



Chrome Splash Mount	
Model	KC89-Y001



Service Sink 6" (152mm) Spout	
Model	Description
K77-Y001-P-XZ	Polished with Hose Threads
K77-Y001-UT	Rough without Hose Threads
K77-Y001-UTP	Polished without Hose Threads
KL77-Y001	Low Lead Rough with Hose Threads
KL77-Y001-P	Low Lead Polished with Hose Threads
KL77-Y001-UT	Low Lead Rough without Hose Threads
KL77-Y001-UTP	Low Lead Polished without Hose Threads



Service Sink 7" (178mm) Spout	
Model	Description
K77-Y017	Low Lead Rough with Hose Threads
K77-Y017-P	Low Lead Polished with Hose Threads
K77-Y017-UT	Low Lead Rough without Hose Threads
K77-Y017-UTP	Low Lead Polished without Hose Threads
KL77-Y017	Low Lead Rough with Hose Threads
KL77-Y017-P	Low Lead Polished with Hose Threads
KL77-Y017-UT	Low Lead Rough without Hose Threads
KL77-Y017-UTP	Low Lead Polished without Hose Threads



Chrome Plated Elbow with Threaded Hose Nipple	
Model	K79-X003



Service Sink Spout Only for 5" (127mm)	
Model	Description
K77-X003	Regular Brass
KL77-X003	Low Lead



Service Sink Elbow	
Model	Description
K77-X009	Regular Brass
KL77-X009	Low Lead



Service Sink Support Rod	
Model	K77-X006



Splash Mount Assembly for Service Sink	
Model	K77-Y002



Riser Clamp Assembly with Support Rod	
Model	Description
K77-Y010-11	11" (279mm)
K77-Y010-15	15" (381mm)



Service Sink Nipple 1/2" NPT	
Model	Description
K77-X010	Regular Brass
KL77-X010	Low Lead



Hose Fork with Set Screw	
Model	K79-X004



Hex Reducing Bushing 3/8" NPTF	
Model	K89-X030

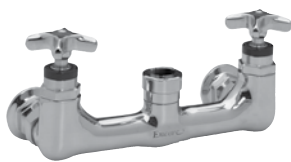
ACCESSORIES AND REPLACEMENT PARTS

QUIK-FIL™



**3/4" (19mm) Single Deck Mount
Faucet Body with Cross Handle**

Model KL33-Y001-XZ



**8" (203mm) Splash Mount QUIK-FIL™
3/4" (19mm) IPS Pre-Rinse Body
with Cross Handles**

Model KL34-Y001-XZ



3/4" (19mm) Add-On Faucet

Model KL35-Y001-XZ



10" (254mm) Jointed Spout

Model KL34-Y110

For Encore® 3/4" faucet only



**Add-On Faucet Spout for
QUIK-FIL 3/4" (19mm) Faucet**

Model **Spout Length**

KL34-Y010 10" (254mm)

KL34-Y012 12" (305mm)

KL34-Y014 14" (356mm)

KL34-Y018 18" (457mm)

KL34-Y022
Dbl. Jointed 22" (559mm)



**QUIK-FIL 3/4" (19mm)
Add-On Faucet with Spout**

Model **Spout Length**

KL35-7010 10" (254mm)

KL35-7012 12" (305mm)

KL35-7014 14" (356mm)

KL35-7018 18" (457mm)



Swivel To Rigid

Model KL35-Y003



2" (51mm) Nipple

Model KL35-X009



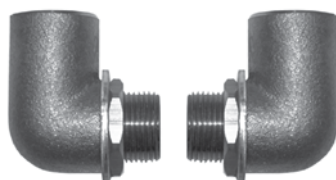
Rigid Riser for 3/4" (19mm) Faucets

Model KL35-Y226-2



**3/4" (19mm) Faucet O-Ring
for KL34 Faucets**

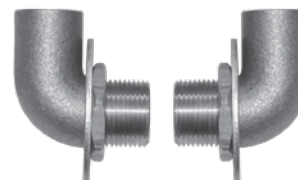
Model KN34-KIT-PS



QUIK-FIL 3/4" (19mm) Mounting Kit

Model **Description**

KL40-3400 3/4" Male x 3/4" Female



QUIK-FIL 3/4" (19mm) Mounting Kit

Model **Description**

KL40-3410 3/4" Male Thread x
3/4" Sweat Fitting

SaniShower® Shower Systems

- Gentle spray pattern is ideal for use in burn wards
- Eco-friendly 1.5 - 2.0GPM water consumption rate
- Retro-fits to most brands of hand showers currently on the market



Plastic Shower Head With SANIGUARD®

Model	Flow
SS10-0100	2.0GPM
SS10-0115	1.5GPM
SS10-0117	1.75GPM



Hand Shower with Shut Off With SANIGUARD

Model	Flow
SS10-0200	2.0GPM
SS10-0215	1.5GPM
SS10-0217	1.75GPM



Hand Shower Hose With SANIGUARD

Model	Description
SS15-Y010-60	60" (1524mm)
SS15-Y010-72	72" (1829mm)



Brass CP Shower Head With SANIGUARD

Model	SS20-1000



Plastic Shower Head With SANIGUARD

Model	Flow
SS20-2000	2.0GPM
SS20-2015	1.5GPM
SS20-2017	1.75GPM

Flow tested @ 60 PSI



Diverter Tub Spout

Model	SS05-0100



Shower Arm and Flange

Model	SS05-0200



Shower Flow Control 1/2-14 NPT

Model	Description
SS10-150	1.5GPM Flow
SS10-175	1.75GPM Flow



Diverter Arm

Model	SS10-4800



Wall Mount Supply Elbow

Model	SS10-4801



In-line Vacuum Breaker

Model	SS10-4802



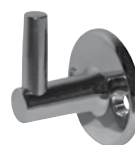
Shower Arm Mount with Pin

Model	SS10-5806



Swivel Shower Arm Mount with Pin

Model	SS10-5808



Wall Mount Bracket

Model	SS10-5811



CP Plastic Hand Shower Holder

Model	SS10-5814

ACCESSORIES AND REPLACEMENT PARTS ELECTRONIC



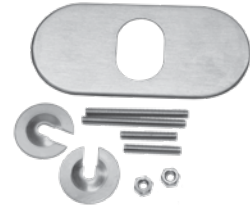
Gooseneck Spout Assembly for K16/K17 Faucets

Model	Description
K16-X000	3" (76mm)
K16-X002	6" (152mm)
K16-X002-6X8	6" x 8" (152mm x 203mm)



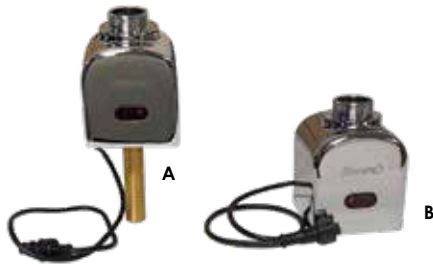
6" (152mm) Swing Spout Assembly for K16/K17 Faucets

Model	Description
K16-X006	



Cover Plate Assembly

Model	Description
K19-Y004	4" (102mm)
K19-Y008	8" (203mm)



Intelli-Flo Electronic Faucet Body with Sensor Assembly

Ref.	Model	Description
A	KL19-Y003-M	Deck Mount
B	KL19-Y004-M	Splash Mount



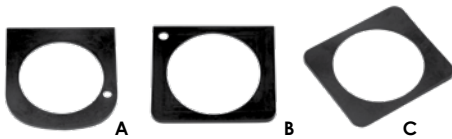
Intelli-Flo Deck Mount Electronic Faucet Body with Sensor Assembly

Model	Description
KL21-Y002-M	Polished Chrome



Thermostatic Mixing Valve

Model	Description
KL19-X025	3/8" Thread
KL19-X026	1/2" Thread



Gasket For Faucet Body

Ref.	Model	Description
A	K19-X003	Splash Mount
B	K19-X005	Deck Mount
C	K21-X005	Restroom Deck Mount



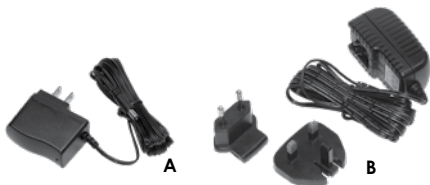
Low Lead Solenoid

Model	Description
KL19-X006	



Elbow 90 Degree Close Female Swivel

Model	Description
KL19-X024	



9V Adapter Plug

Ref.	Model	Description
A	K19-X033	800mA US
B	K19-X035	800MA INTL



Intelli-Flo Gooseneck/Lavatory Control Box Repair Kit Including Solenoid and Sensor

Model	Description
KL19-Y008-A-RPKIT	



Intelli-Flo E-Z Hand Wash Station Control Box Repair Kit Including Solenoid and Sensor

Model	Description
KL19-Y008-B-RPKIT	

ACCESSORIES AND REPLACEMENT PARTS HOSE REELS



Open Hose Reel with 15' (4572mm) Hose

Model	Description
KHR-Y1015-O	Powder Coat
KHR-Y1015-OSS	Stainless Steel



Enclosed Hose Reel

Model	Description
KHR-Y1030-E	Powder Coat with 30' (9144mm) Hose
KHR-Y1030-ESS	Stainless Steel with 30' (9144mm) Hose
KHR-Y1035-E	Powder Coat with 35' (11481mm) Hose
KHR-Y1035-ESS	Stainless Steel with 35' (11481mm) Hose



Open Hose Reel

Model	Description
KHR-Y1030-O	Powder Coat with 30' (9144mm) Hose
KHR-Y1030-OSS	Stainless Steel with 30' (9144mm) Hose
KHR-Y1035-O	Powder Coat with 35' (11481mm) Hose
KHR-Y1035-OSS	Stainless Steel with 35' (11481mm) Hose
KHR-Y1050-O	Powder Coat with 50' (15240mm) Hose
KHR-Y1050-OSS	Stainless Steel with 50' (15240mm) Hose



Optional 360° Swivel Hose Fitting

Model	Description
KHR-600248	Swivel Hose Fitting

Installs between spray valve handle. Improves hose life and offers greater spray valve flexibility and versatility.



Replacement Hose Assembly 3/8" ID

Model	Description
KHR-601052-4	35' (11481mm)
KHR-601052-7	50' (15240mm)



Hose Bumper for Hose Reel

Model	Description
KHR-1HR1004	



Replacement Hose Reel Spray Grip with Adapter

Model	Description
KHR-X025	Hose Reel Spray Grip



Front Trigger Gun

Model	Description
KTG-2F00	



Rear Trigger Gun

Model	Description
KTG-1R00	

ACCESSORIES AND REPLACEMENT PARTS

HOSE REELS



Splash Valve Housing Assembly

Model	Description
KL79-Y300	Less Valve and Handle
KL79-Y300-2C	With Compression Valve (Cold) and Cross Handle
KL79-Y310-2C	With Ceramic Valve (Cold) and Cross Handle



Solid Brass Check Valves

Model	Description
KCV-0500	1/2" (13mm) IPS Inlet & Outlet
KCV-0750	3/4" (19mm) IPS Inlet & Outlet

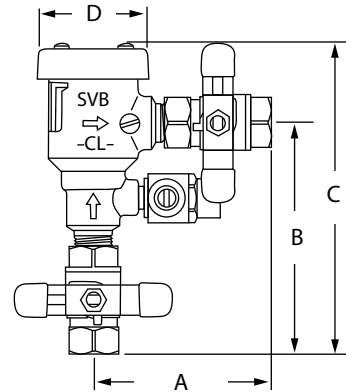
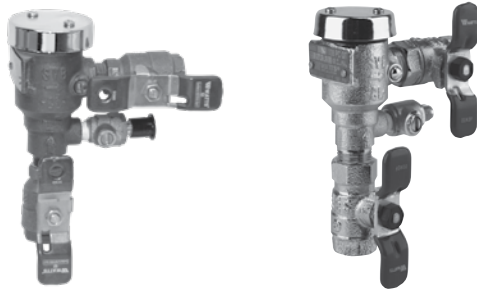
- Solid Brass for Continuous Pressure
- Designed for Water Use Only



Shut-off Control Valve

Model	Description
KHV-3850	

- In-line control valve
- Chrome plated finish
- 3/8" (10mm) IPS inlet and outlet and 1/2" (13mm) universal
- Designed for installation with hose reels



Anti-Siphon, Anti-Spill Vacuum Breaker with Shut-Off Values

Model	Description	Size	A	B	C	D
KL50-X197	3/8" Female Inlet & Outlet	3/8" (10mm)	3-1/8" (79mm)	4" (102mm)	5-1/2" (140mm)	2" (51mm)
KL50-X198	1/2" Female Inlet & Outlet	1/2" (13mm)	3-3/8" (86mm)	4-1/4" (108mm)	5-3/4" (146mm)	2" (51mm)

- Chrome plated • Provides anti-siphon • Vacuum breaker for continuous pressure



Concealed Piping Elevated Atmospheric Vacuum Breaker

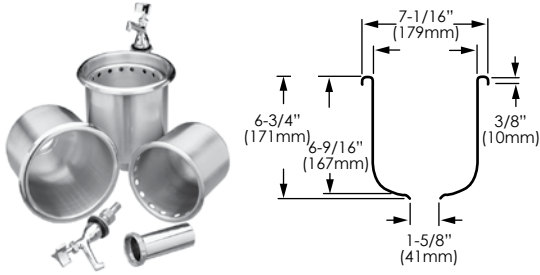
Model	Description
K47-Y003	



Deck Mount Mixing Valve 4" (102mm) O.C.

Model	Description
KL43-4050	

For service parts breakdown, refer to page 290.



Dipperwell Assemblies

Model	Description
K30-1000	Without Faucet
K30-1000-SB	With 0.4GPM Flow Restrictor
K30-1010	With Faucet

- Fits into 6" (152mm) Dia. opening
- Type 18-8 stainless steel inner and outer shell
 - 9-1/2" (241mm) overall length
- Complete with stainless steel drain and 1-1/2" (38mm) O.D. x 4" (102mm) long brass nickel plated tailpiece



Dipperwell Parts

Model	Description
K30-Y001	Inner Shell Only
K30-Y002	Outer Shell Only
K30-Y003	Inner and Outer Shell



Water Station Self Rimming Catch Basin Assembly Only

Model	Description
K27-Y001	

1. Type 304 (18-8) Stainless Steel polished to a #4 finish
2. Self Rimming drop in design, included are (4) 10-24 x 1-1/2" (38mm) long welded mounting studs
3. Heavy Duty Stainless Steel Wire Grid
4. 1/2" NPS Nickel Plated Brass Drain



Deck Mounted Glass Filler Only

Model	Description
KL26-5000	8" (203mm) Riser
KL26-5012	12" (305mm) Riser
KL26-5012-SP	(Special SB Model) 12" (305mm) Riser - 3/8" NPT
KL26-5015-SP	15" (378mm) Riser
KL26-5015SP01	15" (378mm) Riser - 3/8" NPT

1. Spring operated two position lever arm, push back for easy filling and upward for continuous flow.
2. Stainless steel riser and polished chrome plated brass finish
3. Heavy duty stainless steel lever arm and internal components
4. Fully adjustable spout for regulated water flow control.

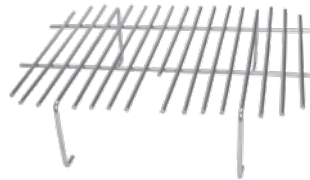
For service parts breakdown, refer to page 278.



Splash Mounted Glass Filler Only

Model	Description
KL26-5001	

1. Furnished with 1/2" NPS male inlet and mounting hardware
2. Stainless steel riser and highly polished chrome plated brass finish



Stainless Steel Grid for Glass Filler Pan

Model	Description
KN26-X035	



Glass Filler Pan Assembly for 3/8"

Model	Description
K27-5015-SP	



Stainless Steel Water Station Catch Basin

Model	Description
K27-X001	



Stainless Steel Grid for Water Station

Model	Description
K27-X002	



ACCESSORIES AND REPLACEMENT PARTS SPECIALTY



Lightweight Aluminum Side Spray

Model KA50-Y030



Coiled Hose

Model K50-Y010-C108



Lightweight Pet Wash Spray

Model K09-Y000-72S



72" (1829mm) Stainless Steel Braided Hose

Model K09-Y010-72



44" (1118mm) Hose and Spray

Model **Description**

KL50-Y400-44 Hose and Spray

KL50-Y400-44K Includes K50-Y023



Sprayer with Aerator

Model KL50-Y402



Sprayer with Rose Spray

Model KL50-Y403



Flange Assembly For Button Spray

Model K50-Y023



Stainless Steel Flex Supply Line

Model **Hose Length**

KL84-X017 12" (305mm)

KL84-X018 60" (1524mm)



Stainless Steel Flex Supply Line

Model **Hose Length**

KL84-604145 18" (457mm)



Side Sprayer Diverter Assembly

Model K88-Y013



Tail Tee Only

Model KL84-X038



Tail Cross

Model KL84-X042



Replacement Pedal Kit

Model K24-0110



Replacement Pedal Kit

Model K24-0120



Replacement Pedal Kit

Model K24-0130



Stop Valve for Bed Pan Washers

Model K24-Y003



Replacement Foot Pedal Kit

Model K25-0110

For Models KL25-1000 & KL25-2000



Knee Valve Repair Kit

Model K25-0330

For Models KL25-3000 & KL25-4000



Shaft for Foot Valve

Model K25-X002



E-Ring Retainer Clip

Model K25-X003



Pot Filler Outlet Control Valve

Model KPV-X001

*Attaches to end of spout



Atmospheric Vacuum Breaker

Model	Description
KL50-X137	3/8" NPT
KL50-X138	1/2" NPT
KL50-X138-S	1/2" NPT Satin Finish
K50-VBKIT	Repair Kit
K50-VBKIT38	Repair Kit for 3/8"

Series features full size orifice to ensure pipe size capacity. Provides high water flow with minimal pressure loss. Suitable for temperatures up to 210°F (99°C). Contains a durable silicone disc which has high heat and water hammer shock resistance and ensures tight sealing with the lightest of seating contact.

Note: Used in applications that are not subject to continuous pressure.



3/4" Atmospheric Vacuum Breaker

Model	Description
K50-X160	Regular Brass
KL50-X160	Low Lead



Pot & Kettle Filler Shut-Off Valve

Model KPV-X0012

*Attaches to end of spout



Splash Mounted Spout Base

Model KL80-9006

- 6" (152mm) spouts
- Highly polished chrome plated brass
- Ideal for hand sink application

ACCESSORIES AND REPLACEMENT PARTS TOP-LINE®



**Deck Mount 4" (102mm) 2 Handle Faucet
- No Spout**

Model TLL11-Y001-CCVXZ



**Deck Mount 8" (203mm) 2 Handle Faucet
- No Spout**

Model TLL11-Y003-CCVXZ



**Deck Mount 4" (102mm) Faucet
- No Spout**

Model TLL57-Y001-CCVXZ



**Deck Mount 8" (203mm) Faucet
- No Spout**

Model TLL61-Y001-CCVXZ



**Deck Mount Single Hole
Double Pantry Faucet - No Spout**

Model TLL50-Y001-CCVXZ



Deck Mount Single Faucet - No Spout

Model TLL20-Y003-CCVXZ



**Splash Mount Single Hole Faucet
- No Spout**

Model TLL70-Y001-CCVXZ



**Low Lead Splash Mount 8" (203mm)
2 Handle Faucet - No Spout**

Model TLL13-Y001-CCVXZ



**Splash Mount 4" (102mm)
2 Handle Centerset - No Spout**

Model TLL15-Y001-CCVXZ



Delrin Bibb Washer KN13 Series

Model KN13-X032-D



**Pre-Rinse Top Half, Riser, Hook, Spring,
Wall Bracket, Hose & Spray Valve**

Model TLL13-Y000PRB



Pre-Rinse Spray Valve

Model TLL13-Y003-16



TLL13/TLL11 Series Repair Kit

Model KL13-0010

Fits old style compression type only



Low Lead Repair Kit

Model TLL15-0010

Fits old style compression type only



**Ceramic Valve Repair Kit for
New Top-Line Faucets**

Model TLL-0010



**Replacement Valve for
TLL10 Add-On Faucet**

Model KL55-Y010



TOP-LINE Coupling with Check Valve

Model TLL13-Y007-CV



Low Lead Add-On Faucet

Model TLL10-Y001



Spout Only

Model	Spout Size
KS11-06-X000	3-1/2" (89mm) Swivel Gooseneck
KS11-06-X001	8-1/2" (216mm) Swivel Gooseneck
KS11-06-X002	6" (152mm) Swivel Gooseneck
KS11-06-X100	3-1/2" (89mm) Rigid Gooseneck
KS11-06-X101	8-1/2" (216mm) Rigid Gooseneck
KS11-06-X102	6" (152mm) Rigid Gooseneck



Spout Only

Model	Spout Size
KS11-06-X006	6" (152mm) Horizontal Spout
KS11-06-X008	8" (203mm) Horizontal Spout
KS11-06-X010	10" (254mm) Horizontal Spout
KS11-06-X012	12" (305mm) Horizontal Spout
KS11-06-X014	14" (356mm) Horizontal Spout
KS11-06-X016	16" (406mm) Horizontal Spout



12" (305mm) Double Jointed Spout Only

Model KS11-06-X112



Special Low Lead 5" (127mm) Gooseneck Spout

Model KL11-X002-12

PRE-RINSE, EUROPEAN / INTERNATIONAL, SINGLE HOLE DECK MOUNT KL50-1000 SERIES



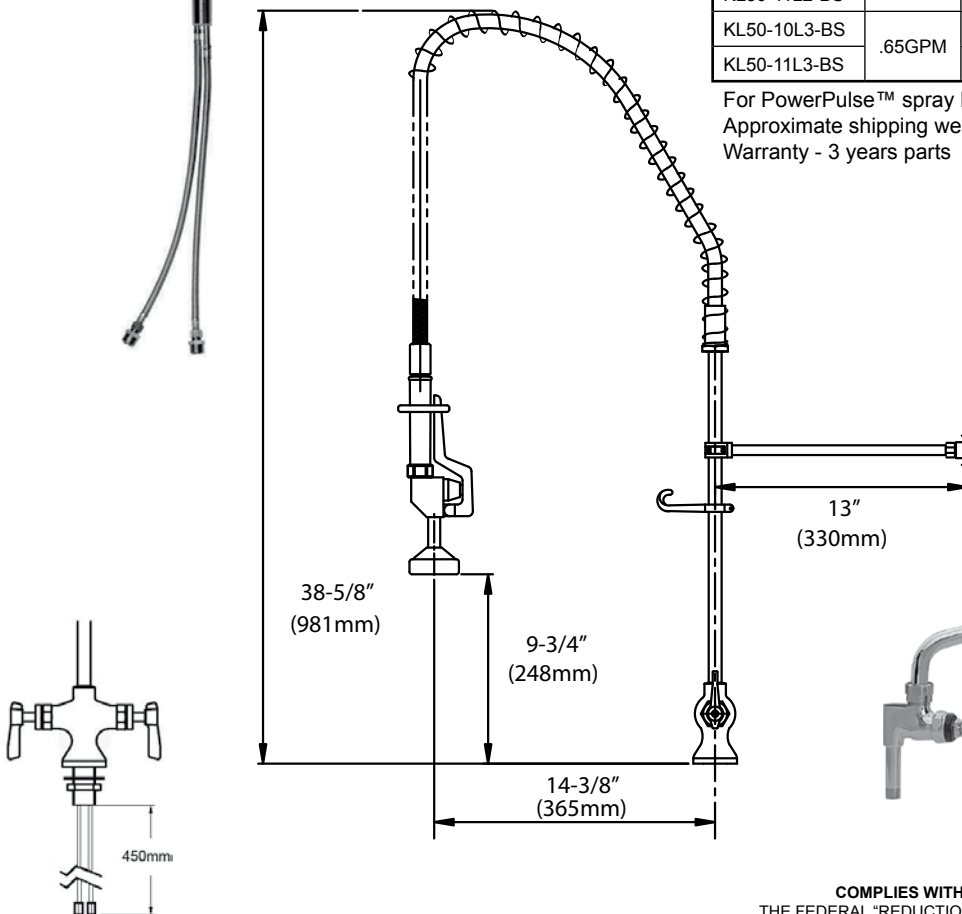
Model	Flow Rate	Valves	Spring	Wall Bracket
KL50-1000	1.6GPM	Compression	Chrome Plated	None
KL50-1100		Ceramic		
KL50-10L2	1.2GPM	Compression		
KL50-11L2		Ceramic		
KL50-10L3	.65GPM	Compression		
KL50-11L3		Ceramic		
KL50-1000-S	1.6GPM	Compression	Stainless Steel	None
KL50-1100-S		Ceramic		
KL50-10L2-S	1.2GPM	Compression		
KL50-11L2-S		Ceramic		
KL50-10L3-S	.65GPM	Compression		
KL50-11L3-S		Ceramic		
KL50-1000-BR	1.6GPM	Compression	Chrome Plated	Yes
KL50-1100-BR		Ceramic		
KL50-10L2-BR	1.2GPM	Compression		
KL50-11L2-BR		Ceramic		
KL50-10L3-BR	.65GPM	Compression		
KL50-11L3-BR		Ceramic		
KL50-1000-BS	1.6GPM	Compression	Stainless Steel	Yes
KL50-1100-BS		Ceramic		
KL50-10L2-BS	1.2GPM	Compression		
KL50-11L2-BS		Ceramic		
KL50-10L3-BS	.65GPM	Compression		
KL50-11L3-BS		Ceramic		

For PowerPulse™ spray head configuration, use prefix "KLP"
Approximate shipping weight - 13 lb
Warranty - 3 years parts

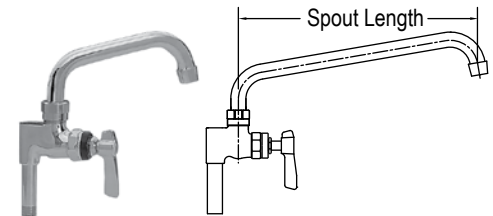
ADD-ON FAUCETS

Model	Spout Length
KL55-7006	6" (152mm)
KL55-7008	8" (203mm)
KL55-7010	10" (254mm)
KL55-7012	12" (305mm)
KL55-7014	14" (356mm)
KL55-7016	16" (406mm)
KL55-7018*	18" (457mm)
KL55-7018ASE1	18" (457mm)
KL55-7024*	24" (610mm)

*Double-jointed spout



Flexible hose connections Female 3/8"



COMPLIES WITH:
THE FEDERAL "REDUCTION OF LEAD
IN DRINKING WATER ACT" -
2011 - US SENATE BILL NO. S.3874
NSF/ANSI 61/9, ANNEX G

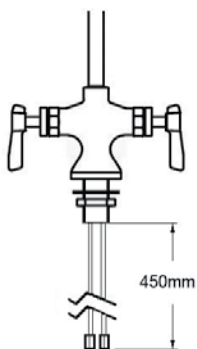


PRE-RINSE, EUROPEAN / INTERNATIONAL, SINGLE HOLE DECK MOUNT, ADD-ON FAUCET KL50-1000-AF SERIES

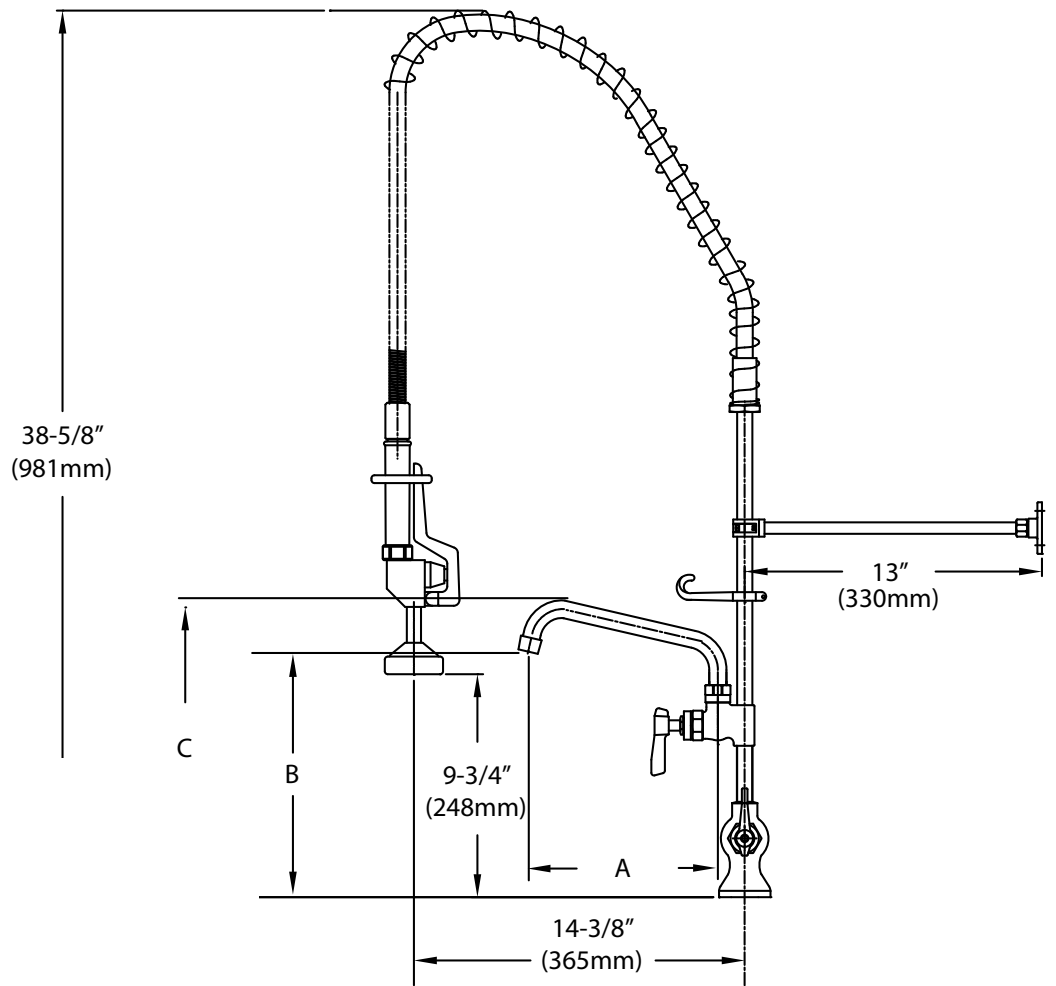


Model	Flow Rate	Valves	Spring	A	B	C
KL50-1000-AF1	1.6GPM	Compression	Chrome Plated	6" (152mm)	10-1/16" (256mm)	12-5/16" (312mm)
KL50-1100-AF1		Ceramic				
KL50-1000-AF2		Compression		8" (203mm)	10-1/2" (267mm)	12-3/4" (324mm)
KL50-1100-AF2		Ceramic				
KL50-1000-AF3		Compression		10" (254mm)	11" (279mm)	13-1/4" (336mm)
KL50-1100-AF3		Ceramic				
KL50-1000-AF4		Compression		12" (305mm)	11-7/16" (291mm)	13-11/16" (347mm)
KL50-1100-AF4		Ceramic				
KL50-1000-AF5		Compression		14" (356mm)	11-15/16" (303mm)	14-1/8" (359mm)
KL50-1100-AF5		Ceramic				
KL50-1000-AF6		Compression		16" (406mm)	12-3/8" (314mm)	14-5/8" (371mm)
KL50-1100-AF6		Ceramic				
KL50-1000-AF7*		Compression		18" (457mm)	12-7/8" (327mm)	15-1/8" (384mm)
KL50-1100-AF7*		Ceramic				

*Double jointed spout
 For PowerPulse™ spray head configuration, use prefix "KLP"
 Approximate shipping weight - 13 lb
 Warranty - 3 years parts



Flexible hose connections Female 3/8"



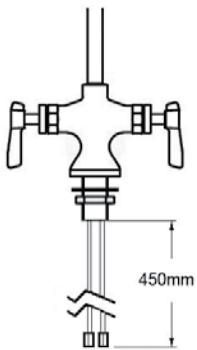
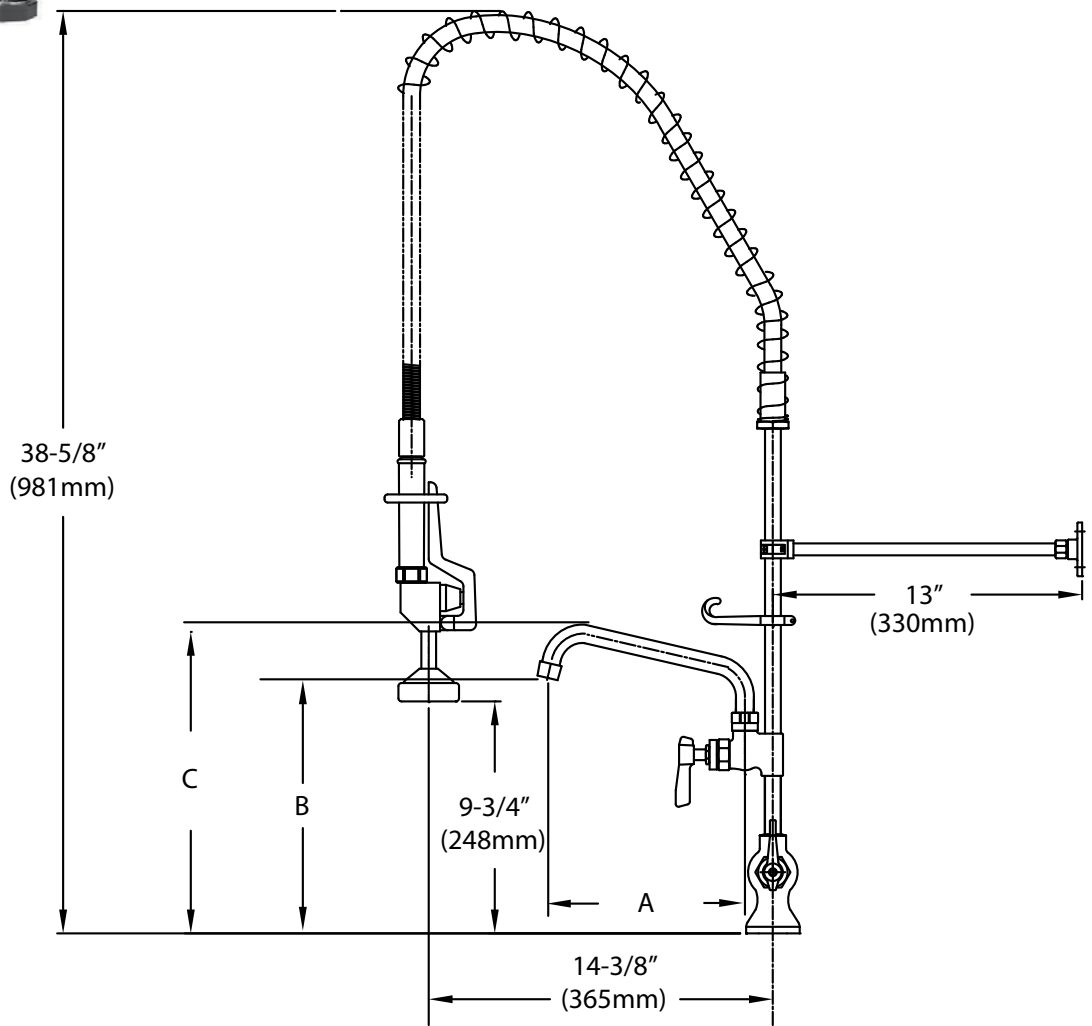
COMPLIES WITH:
 THE FEDERAL "REDUCTION OF LEAD
 IN DRINKING WATER ACT" -
 2011 - US SENATE BILL NO. S.3874
 NSF/ANSI 61/9, ANNEX G



PRE-RINSE, EUROPEAN / INTERNATIONAL, SINGLE HOLE DECK MOUNT KN50-1155-BS10

Model	Flow Rate	Valves	Spring	A	B	C
KN50-1155-BS10	1.6GPM	Ceramic	Stainless Steel	10" (254mm)	11" (279mm)	13-1/4" (336mm)

For PowerPulse™ spray head configuration, use prefix "KLP"
 Approximate shipping weight - 13 lb
 Warranty - 3 years parts



Flexible hose connections Female 3/8"

COMPLIES WITH:
 THE FEDERAL "REDUCTION OF LEAD
 IN DRINKING WATER ACT"
 2011 - US SENATE BILL NO. S.3874
 NSF/ANSI 61/9, ANNEX G



PRE-RINSE, EUROPEAN / INTERNATIONAL, SINGLE HOLE DECK MOUNT KL50-MINI SERIES



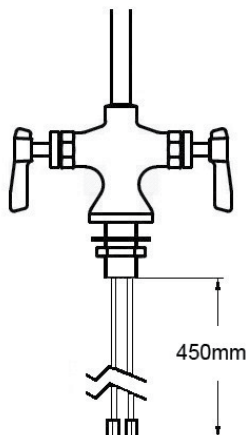
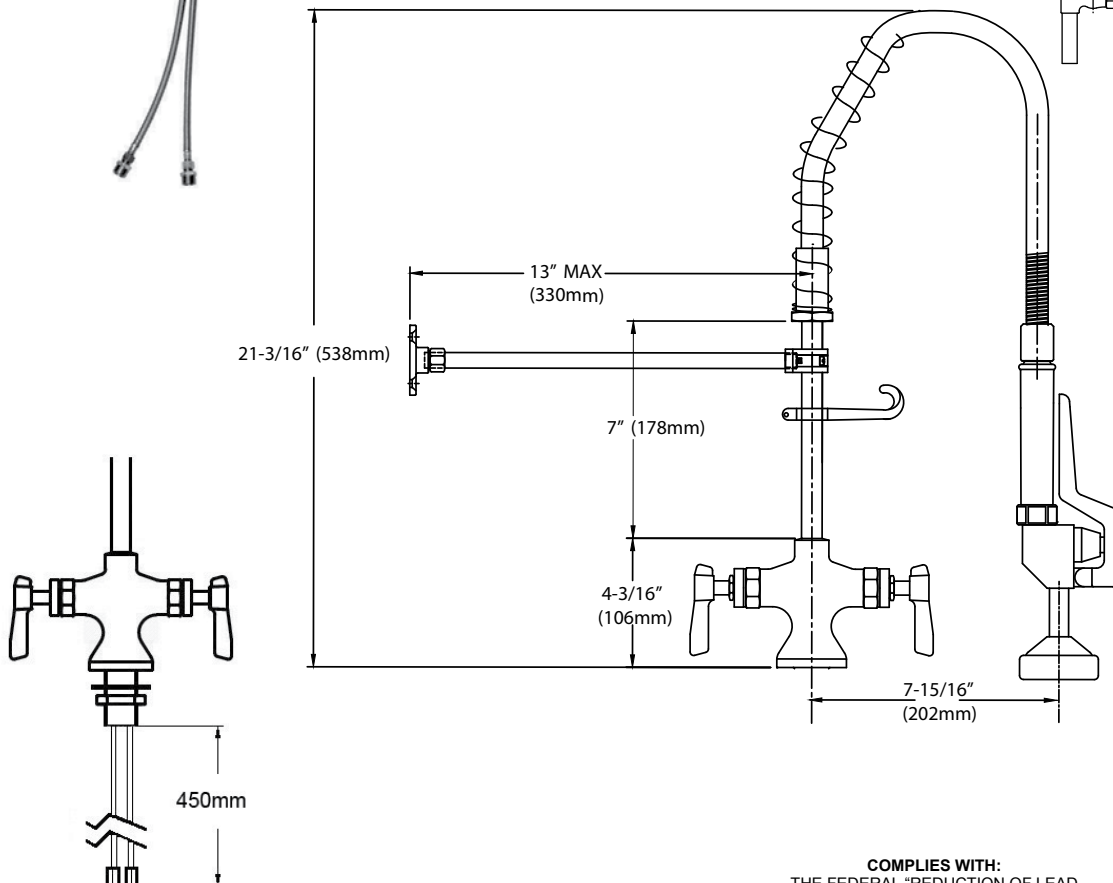
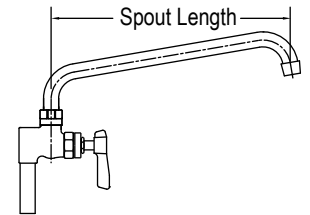
Model	Flow Rate	Valves	Spring	Wall Bracket
KL50-MINI	1.6GPM	Compression	Chrome Plated	None
KL50-MINI-BR				Yes
KL50-MINI-BS			Stainless Steel	None
KL50-MINI-S				None

For PowerPulse™ spray head configuration, use prefix "KLP"
 Approximate shipping weight - 13 lb
 Warranty - 3 years parts

ADD-ON FAUCETS

Model	Spout Length
KL55-7006	6" (152mm)
KL55-7008	8" (203mm)
KL55-7010	10" (254mm)
KL55-7012	12" (305mm)
KL55-7014	14" (356mm)
KL55-7016	16" (406mm)
KL55-7018*	18" (457mm)
KL55-7018ASE1	18" (457mm)
KL55-7024*	24" (610mm)

*Double-jointed spout



Flexible hose connections Female 3/8"

COMPLIES WITH:
 THE FEDERAL "REDUCTION OF LEAD
 IN DRINKING WATER ACT" -
 2011 - US SENATE BILL NO. S.3874
 NSF/ANSI 61/9, ANNEX G



PRE-RINSE, EUROPEAN / INTERNATIONAL, SINGLE DECK MOUNT, KL63-1000 SERIES



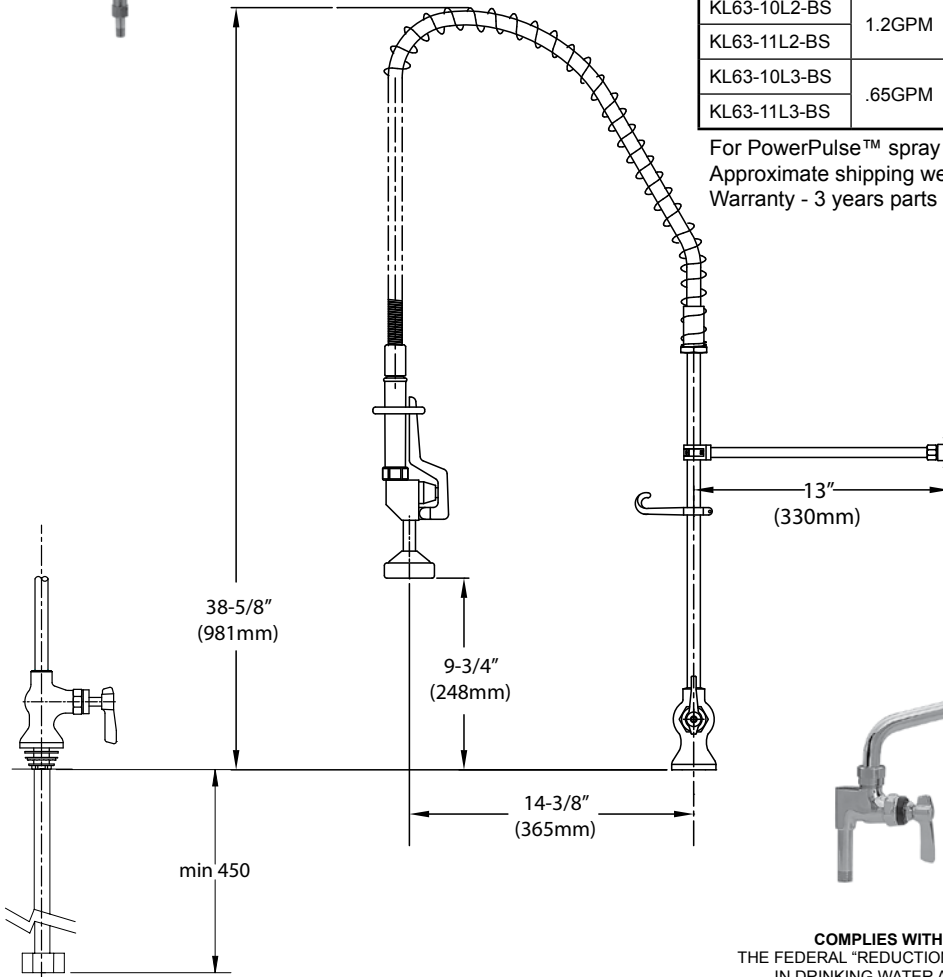
Model	Flow Rate	Valves	Spring	Wall Bracket
KL63-1000	1.6GPM	Compression	Chrome Plated	None
KL63-1100		Ceramic		
KL63-10L2	1.2GPM	Compression		
KL63-11L2		Ceramic		
KL63-10L3	.65GPM	Compression		
KL63-11L3		Ceramic		
KL63-1000-S	1.6GPM	Compression	Stainless Steel	None
KL63-1100-S		Ceramic		
KL63-10L2-S	1.2GPM	Compression		
KL63-11L2-S		Ceramic		
KL63-10L3-S	.65GPM	Compression		
KL63-11L3-S		Ceramic		
KL63-1000-BR	1.6GPM	Compression	Chrome Plated	Yes
KL63-1100-BR		Ceramic		
KL63-10L2-BR	1.2GPM	Compression		
KL63-11L2-BR		Ceramic		
KL63-10L3-BR	.65GPM	Compression		
KL63-11L3-BR		Ceramic		
KL63-1000-BS	1.6GPM	Compression	Stainless Steel	Yes
KL63-1100-BS		Ceramic		
KL63-10L2-BS	1.2GPM	Compression		
KL63-11L2-BS		Ceramic		
KL63-10L3-BS	.65GPM	Compression		
KL63-11L3-BS		Ceramic		

For PowerPulse™ spray head configuration, use prefix "KLP"
 Approximate shipping weight - 10 lb
 Warranty - 3 years parts

ADD-ON FAUCETS

Model	Spout Length
KL55-7006	6" (152mm)
KL55-7008	8" (203mm)
KL55-7010	10" (254mm)
KL55-7012	12" (305mm)
KL55-7014	14" (356mm)
KL55-7016	16" (406mm)
KL55-7018*	18" (457mm)
KL55-7018ASE1	18" (457mm)
KL55-7024*	24" (610mm)

*Double-jointed spout



1x stainless steel supply line (1/2-14 NPT)

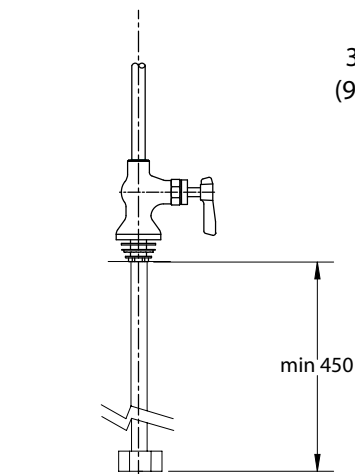
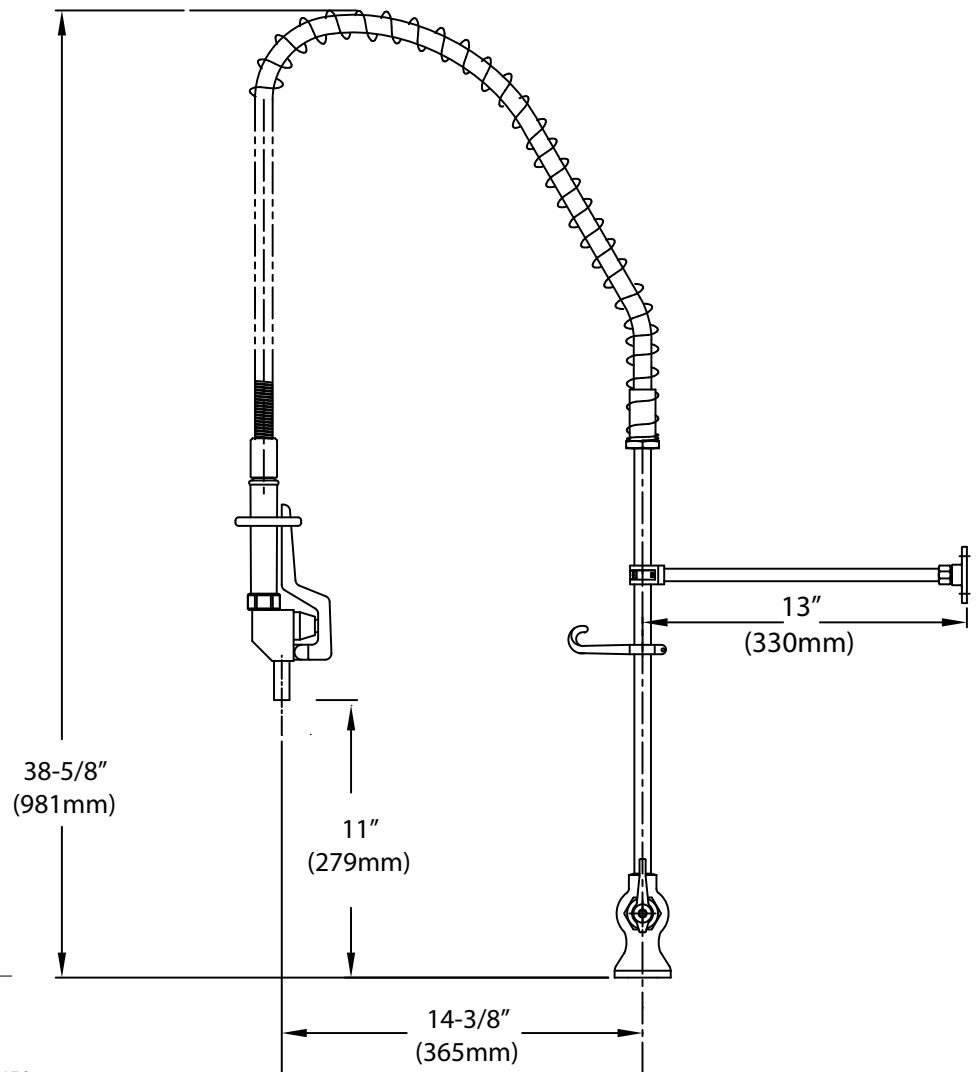
COMPLIES WITH:
 THE FEDERAL "REDUCTION OF LEAD
 IN DRINKING WATER ACT" -
 2011 - US SENATE BILL NO. S.3874
 NSF/ANSI 61/9, ANNEX G



GLASS FILLER, EUROPEAN / INTERNATIONAL, SINGLE HOLE DECK MOUNT KL63-1000-GF SERIES

Model	Flow Rate	Valves	Spring	Wall Bracket
KL63-1000-GF	3.3GPM	Compression	Stainless Steel	Yes
KL63-1100-GF		Ceramic		

For PowerPulse™ spray head configuration, use prefix "KLP"
 Approximate shipping weight - 10 lb
 Warranty - 3 years parts



1x stainless steel supply line (1/2-14 NPT)

COMPLIES WITH:
 THE FEDERAL "REDUCTION OF LEAD
 IN DRINKING WATER ACT" -
 2011 - US SENATE BILL NO. S.3874
 NSF/ANSI 61/9, ANNEX G



PRE-RINSE, EUROPEAN / INTERNATIONAL, DECK MOUNT, SWIVEL ARM KL50-5000 SERIES

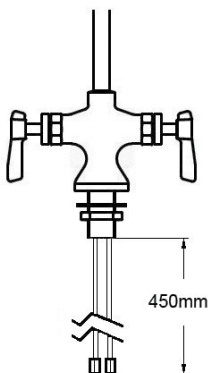
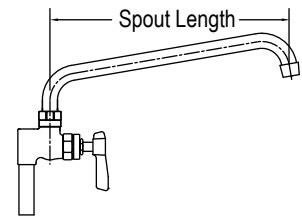
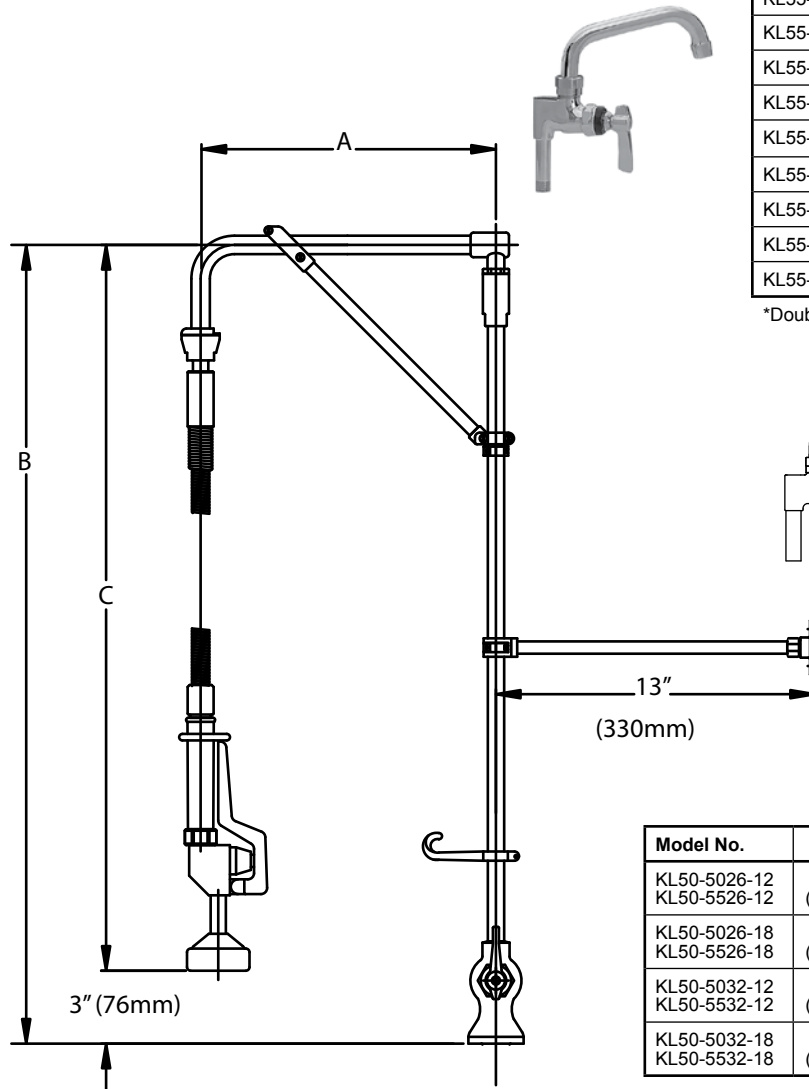
Model	Flow Rate	Swivel Arm Length	Riser Length	Support Bracket
KL50-5026-12	1.6GPM	12"	26"	None
KL50-5026-18		18"		
KL50-5032-12		12"	32"	
KL50-5032-18		18"		
KL50-5526-12	1.6GPM	12"	26"	Standard
KL50-5526-18		18"		
KL50-5532-12		12"	32"	
KL50-5532-18		18"		

For PowerPulse™ spray head configuration, use prefix "KLP"
Approximate shipping weight - 13 lb
Warranty - 3 years parts

ADD-ON FAUCETS

Model	Spout Length
KL55-7006	6" (152mm)
KL55-7008	8" (203mm)
KL55-7010	10" (254mm)
KL55-7012	12" (305mm)
KL55-7014	14" (356mm)
KL55-7016	16" (406mm)
KL55-7018*	18" (457mm)
KL55-7018ASE1	18" (457mm)
KL55-7024*	24" (610mm)

*Double-jointed spout



Flexible hose connections Female 3/8"

Model No.	A	B	C
KL50-5026-12	12" (305mm)	32-5/8" (829mm)	29-5/8" (752mm)
KL50-5526-12	12" (305mm)	32-5/8" (829mm)	29-5/8" (752mm)
KL50-5026-18	18" (457mm)	38-5/8" (981mm)	35-5/8" (905mm)
KL50-5526-18	18" (457mm)	38-5/8" (981mm)	35-5/8" (905mm)
KL50-5032-12	12" (305mm)	64-7/8" (1648mm)	29-5/8" (752mm)
KL50-5532-12	12" (305mm)	64-7/8" (1648mm)	29-5/8" (752mm)
KL50-5032-18	18" (457mm)	70-7/8" (1800mm)	35-5/8" (905mm)
KL50-5532-18	18" (457mm)	70-7/8" (1800mm)	35-5/8" (905mm)

COMPLIES WITH:
THE FEDERAL "REDUCTION OF LEAD
IN DRINKING WATER ACT" -
2011 - US SENATE BILL NO. S.3874
NSF/ANSI 61/9, ANNEX G



PRE-RINSE, EUROPEAN / INTERNATIONAL, COMMERCIAL, SINGLE HOLE DECK MOUNT KC50-1000 SERIES



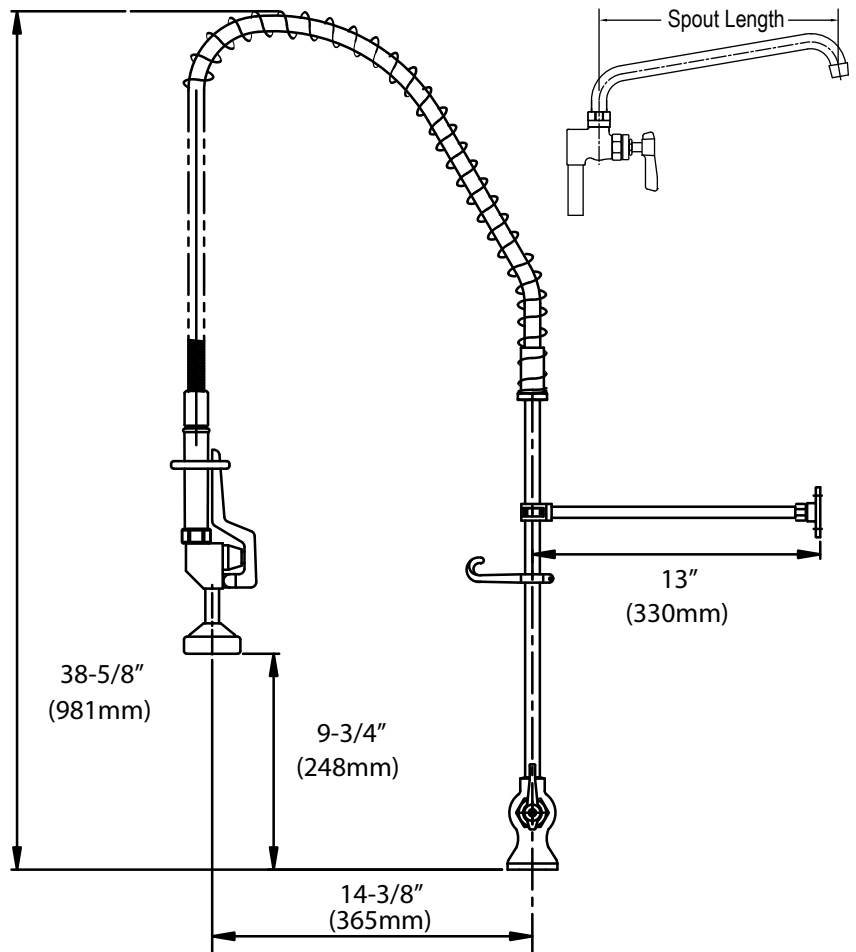
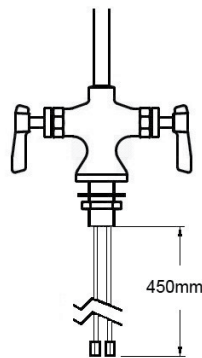
Model	Flow Rate	Valves	Spring	Wall Bracket
KC50-1000	1.6GPM	Compression	Chrome Plated	None
KC50-1000-BR				Yes

For PowerPulse™ spray head configuration, use prefix "KLP"
Approximate shipping weight - 13 lb
Warranty - 3 years parts

ADD-ON FAUCETS

Model	Spout Length
KL55-7006	6" (152mm)
KL55-7008	8" (203mm)
KL55-7010	10" (254mm)
KL55-7012	12" (305mm)
KL55-7014	14" (356mm)
KL55-7016	16" (406mm)
KL55-7018*	18" (457mm)
KL55-7018ASE1	18" (457mm)
KL55-7024*	24" (610mm)

*Double-jointed spout



Flexible hose connections Female 3/8"

COMPLIES WITH:
THE FEDERAL "REDUCTION OF LEAD
IN DRINKING WATER ACT"
2011 - US SENATE BILL NO. S.3874
NSF/ANSI 61/9, ANNEX G

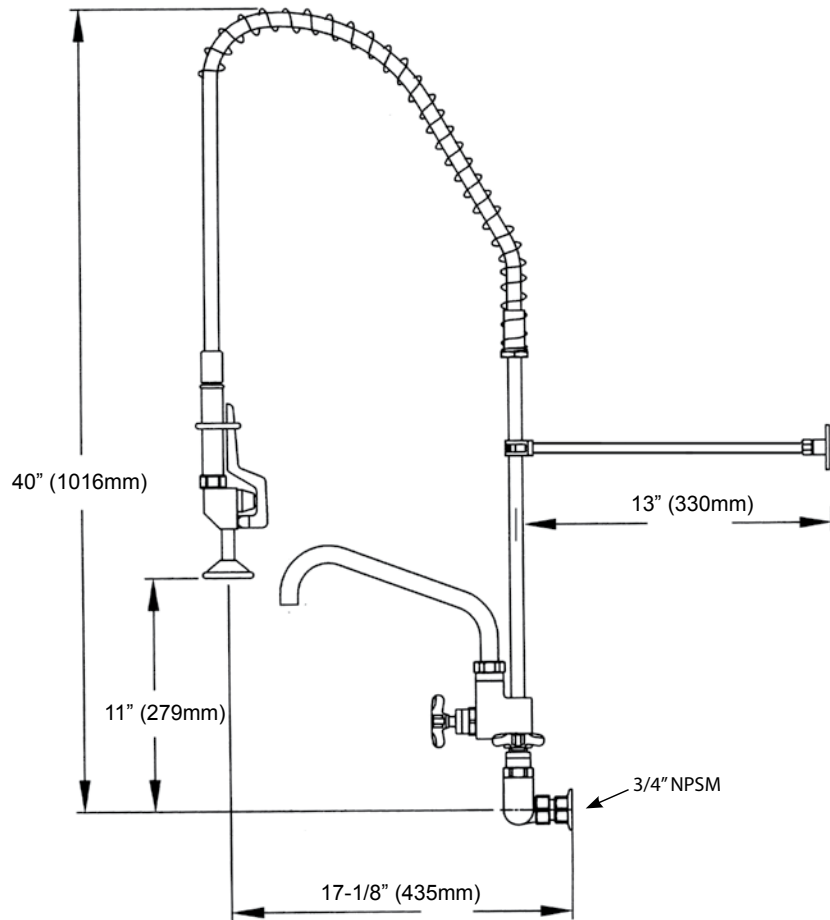
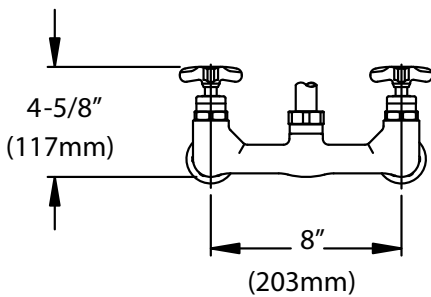


PRE-RINSE, EUROPEAN / INTERNATIONAL, QUIK-FIL™, SPLASH MOUNT, INLINE VACUUM BREAKER KL34-1000 SERIES



Model	Supply Pressure	Flow Rate*	Valves	Add-On Faucet
KL34-1000-BR	50PSI 60PSI	27GPM 30GPM	Compression	None
KL34-1010-BR				10" (254mm)
KL34-1012-BR				12" (305mm)
KL34-1014-BR				14" (355mm)
KL34-1018-BR				18" (457mm)
KL34-1022-BR				22" (508mm) Jointed

*Add-on faucet
 Standard spray valve flow rate - 1.6 gpm
 For PowerPulse™ spray head configuration, use prefix "KLP"
 Approximate shipping weight - 13 lb
 Warranty - 3 years parts



COMPLIES WITH:
 THE FEDERAL "REDUCTION OF LEAD
 IN DRINKING WATER ACT" -
 2011 - US SENATE BILL NO. S.3874
 NSF/ANSI 61/9, ANNEX G



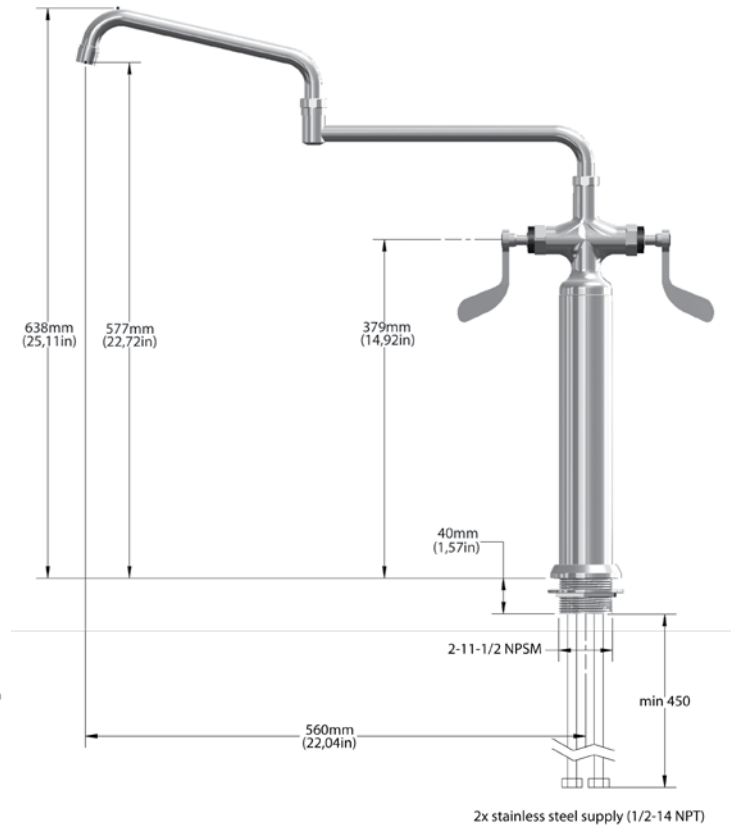
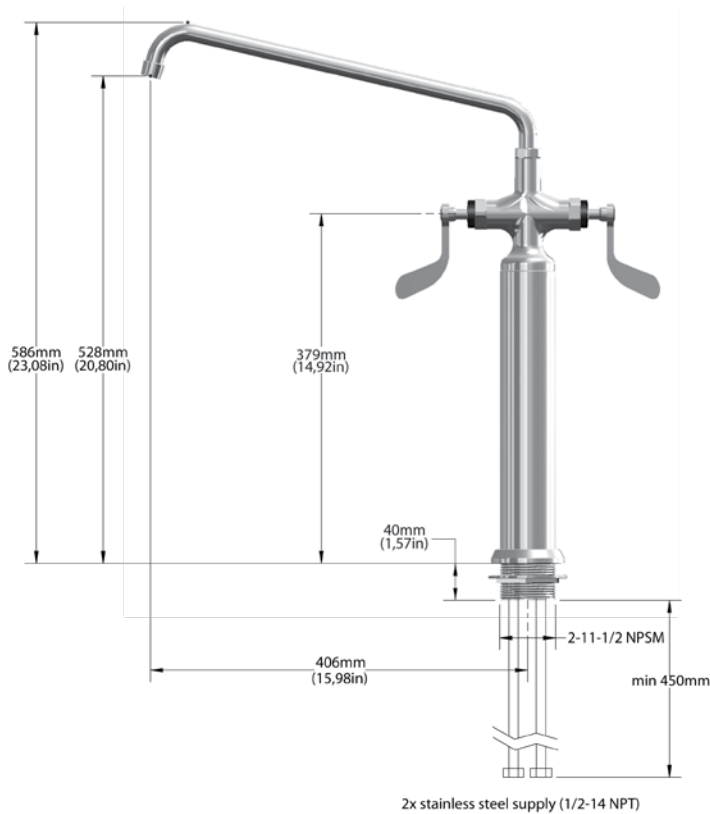
FAUCETS, EUROPEAN / INTERNATIONAL, SINGLE HOLE DECK MOUNT, PILLAR KL51-3000 SERIES



KL51-3016-SE4 Series



KL51-3022-SE4 Series



Model No.	Spout	Flow Rate	Handles	Valves
KL51-3016-SE4	Stainless Steel Tubular Swing	12 l/min	4" Wrist Blade	Compression
KL51-3022-SE4	Double Jointed Stainless Steel Tubular Swing			

FAUCET, EUROPEAN / INTERNATIONAL, DOUBLE PANTRY DECK MOUNT KL51-9000 SERIES



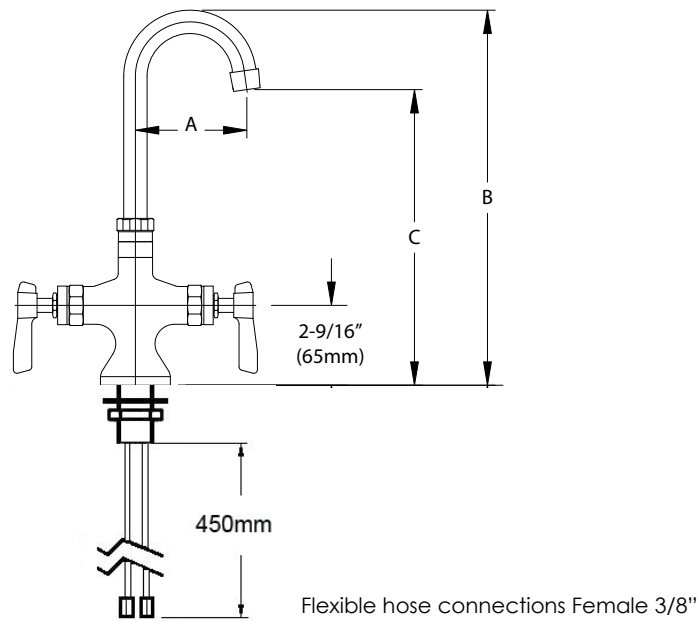
KL51-9x0x-xE1 Series



KL51-9x0x-xE2 Series



KL51-9x0x-xE4 Series



Model No.	Spout	Flow Rate	Handles	Valves	A	B	C
KL51-9100-RE1	Rigid Gooseneck	2.2GPM	Standard Lever	Ceramic	3-1/2" (89mm)	11-7/8" (300mm)	9-1/4" (235mm)
KL51-9000-RE1				Compression			
KL51-9102-RE1				Ceramic	6" (152mm)	12-3/4" (320mm)	9" (230mm)
KL51-9002-RE1				Compression			
KL51-9101-RE1				Ceramic	8-1/2" (216mm)	15-3/4" (400mm)	10" (255mm)
KL51-9001-RE1				Compression			
KL51-9100-SE1	Adjustable Gooseneck	2.2GPM	Standard Lever	Ceramic	3-1/2" (89mm)	11-7/8" (300mm)	9-1/4" (235mm)
KL51-9000-SE1				Compression			
KL51-9102-SE1				Ceramic	6" (152mm)	12-3/4" (320mm)	9" (230mm)
KL51-9002-SE1				Compression			
KL51-9101-SE1				Ceramic	8" (203mm)	18-1/4" (464mm)	12-1/2" (318mm)
KL51-9001-SE1				Compression			

COMPLIES WITH:
THE FEDERAL "REDUCTION OF LEAD
IN DRINKING WATER ACT" -
2011 - US SENATE BILL NO. S.3874
NSF/ANSI 61/9, ANNEX G



FAUCET, EUROPEAN / INTERNATIONAL, DOUBLE PANTRY DECK MOUNT KL51-9000 SERIES



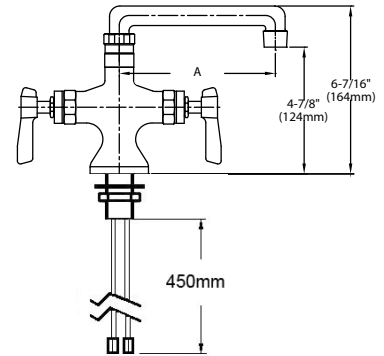
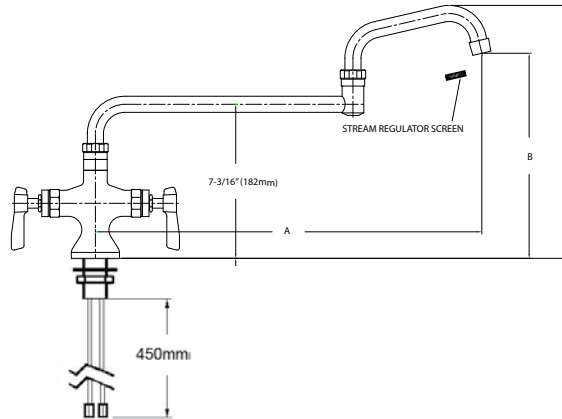
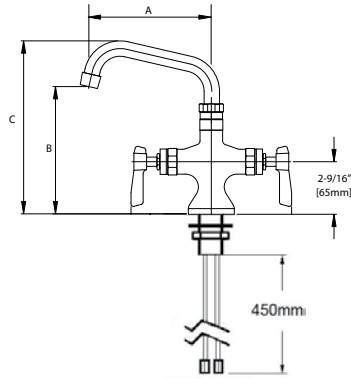
KL51-9xxx-SE1 Series



KL51-9xxx-SE1 Series



KL51-9x0x-TE1 Series



Flexible hose connections Female 3/8"

Model No.	Spout	Flow Rate	Handles	Valves	A	B	C
KL51-9106-SE1	Stainless Steel Tubular Swing	2.2GPM	Standard Lever	Ceramic	6" (152mm)	6-1/16" (154mm)	8-5/16" (211mm)
KL51-9006-SE1				Compression	8" (203mm)	6-9/16" (167mm)	8-13/16" (224mm)
KL51-9108-SE1				Ceramic			
KL51-9008-SE1				Compression			
KL51-9110-SE1				Ceramic	10" (254mm)	7" (178mm)	9-1/4" (235mm)
KL51-9010-SE1				Compression	12" (305mm)	7-7/16" (189mm)	9-11/16" (246mm)
KL51-9112-SE1				Ceramic			
KL51-9012-SE1				Compression			
KL51-9114-SE1				Ceramic	14" (356mm)	7-7/8" (200mm)	10-1/8" (257mm)
KL51-9014-SE1				Compression	16" (406mm)	8-5/16" (211mm)	10-9/16" (268mm)
KL51-9116-SE1				Ceramic			
KL51-9016-SE1				Compression			
KL51-9118A-SE1				Ceramic	18" (457mm)	9" (229mm)	11-1/4" (286mm)
KL51-9018A-SE1				Compression	2.2GPM	Standard Lever	Ceramic
KL51-9118-SE1	Compression	24" (609mm)	11-1/16" (281mm)	13-1/4" (337mm)			
KL51-9018-SE1	Ceramic						
KL51-9124-SE1	Compression						
KL51-9106-TE1	Cast Tubular Swing	2.2GPM	Standard Lever	Ceramic	6" (152mm)	—	—
KL51-9006-TE1				Compression	8" (203mm)	—	—
KL51-9108-TE1				Ceramic			
KL51-9008-TE1				Compression			

COMPLIES WITH:
THE FEDERAL "REDUCTION OF LEAD
IN DRINKING WATER ACT" -
2011 - US SENATE BILL NO. S.3874
NSF/ANSI 61/9, ANNEX G



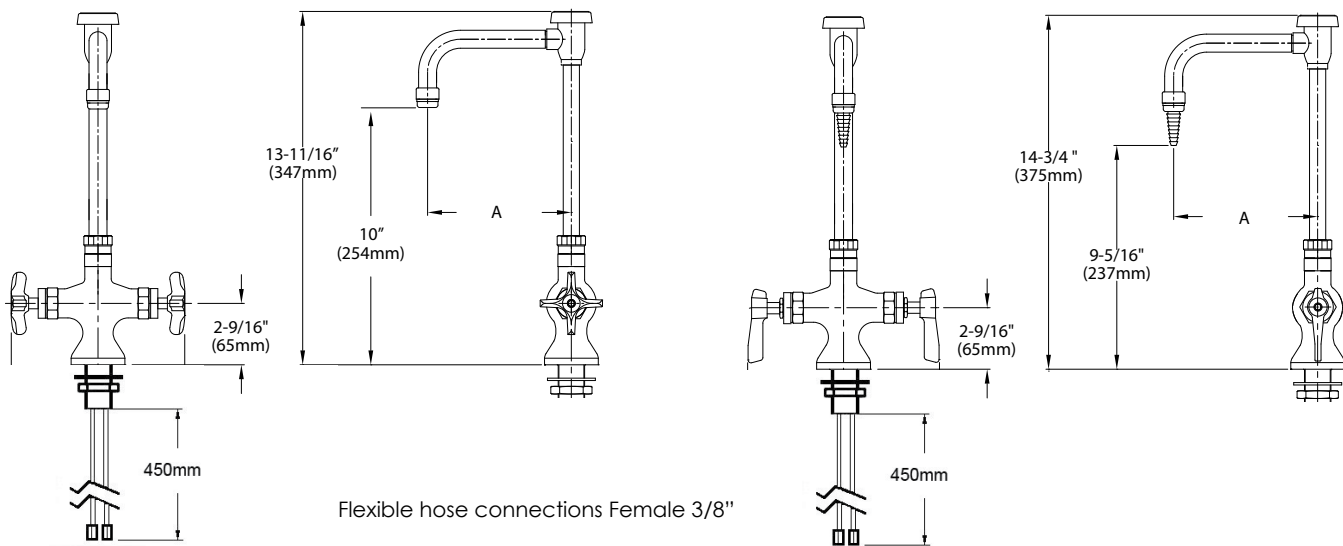
FAUCET, EUROPEAN / INTERNATIONAL, DOUBLE PANTRY DECK MOUNT, VACUUM BREAKER KN51-9000 SERIES



KN51-9x5x-KR1 Series



KN51-9x5x-KT1 Series



Model No.	Spout	Flow Rate	Handles	Valves	A
KN51-9153-KR1	Plain Rigid Vacuum Breaker	2.2GPM	Standard Lever	Ceramic	6" (152mm)
KN51-9053-KR1				Compression	
KN51-9154-KR1				Ceramic	8" (203mm)
KN51-9054-KR1				Compression	
KN51-9155-KR1				Ceramic	12" (305mm)
KN51-9055-KR1	Compression				
KN51-9153-KT1	Rigid Serrated Vacuum Breaker	2.2GPM	Standard Lever	Ceramic	6" (152mm)
KN51-9053-KT1				Compression	
KN51-9154-KT1				Ceramic	8" (203mm)
KN51-9054-KT1				Compression	
KN51-9155-KT1				Ceramic	12" (305mm)
KN51-9055-KT1	Compression				



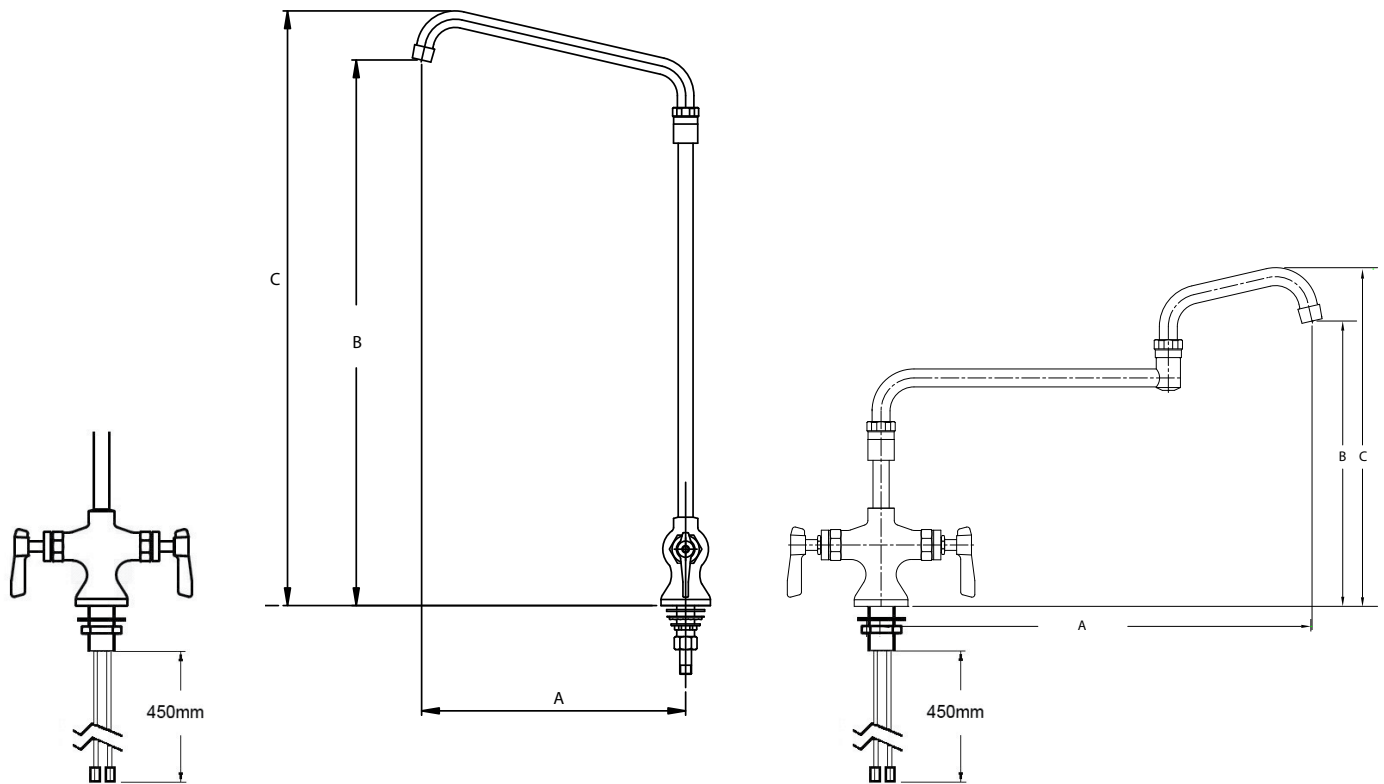
FAUCET, EUROPEAN / INTERNATIONAL, ELEVATED SWING SPOUT, DOUBLE PANTRY DECK MOUNT KL52-9000 SERIES



KL52-9012 SE1 Series



KL52-9018-SP1 Series



Flexible hose connections Female 3/8"

Model No.	Spout	Flow Rate	Handles	Valves	A	B	C
KL52-9012-SE1	Stainless Steel Tubular Swing	2.2GPM	Standard Lever	Compression	12" (305mm)	24-7/8" (632mm)	27-7/8" (689mm)
KL52-9018-SP1					18" (457mm)	11-15/16" (303mm)	14-1/8" (359mm)

COMPLIES WITH:
THE FEDERAL "REDUCTION OF LEAD
IN DRINKING WATER ACT" -
2011 - US SENATE BILL NO. S.3874
NSF/ANSI 61/9, ANNEX G



FAUCETS, EUROPEAN / INTERNATIONAL, SINGLE HOLE DECK MOUNT, PILLAR KL34-3000/KL63-3000 SERIES



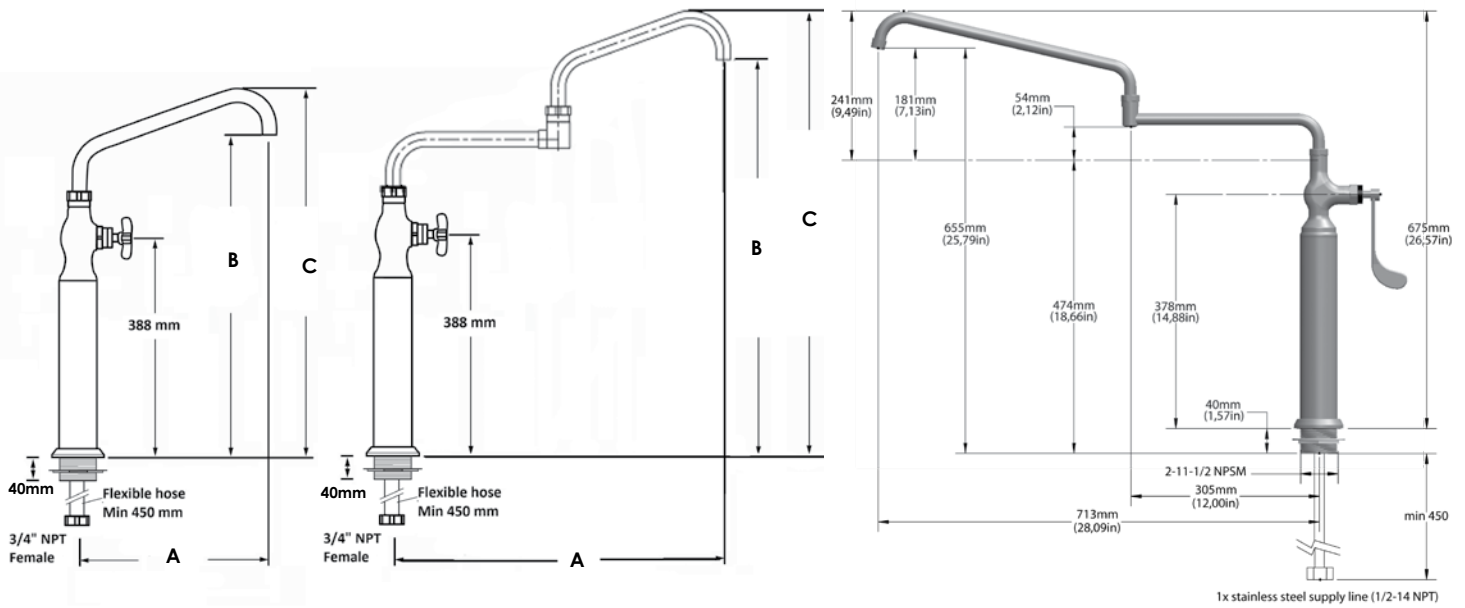
KL34-30xx-SE2 Series



KL34-30xx-SE2 Double Jointed Series



KL63-3828-SE6 Series



Model No.	Spout	Supply Pressure	Flow Rate	Handles	Valves	A	B	C
KL34-3010-SE2	Stainless Steel Tubular Swing	3,4 bar 4,1 bar	121 l/min 132 l/min	Cross	Compression	10" (254mm)	594mm	671mm
KL34-3012-SE2						12" (508mm)	623mm	696mm
KL34-3018A-SE2						18" (457mm)	677mm	753mm
KL34-3018-SE2	Double Jointed Stainless Steel Tubular Swing					18" (457mm)	612mm	689mm
KL34-3020-SE2						20" (508mm)	632mm	709mm
KL34-3022-SE2						22" (559mm)	652mm	728mm
KL34-3028-SE2						28" (711mm)	709mm	785mm
KL63-3828-SE6	Double Jointed Stainless Steel Tubular Swing	—	12 l/min	6" Wrist Blade	Compression	—	—	—

FAUCET, EUROPEAN / INTERNATIONAL, SINGLE PANTRY DECK MOUNT KL64-9000 SERIES



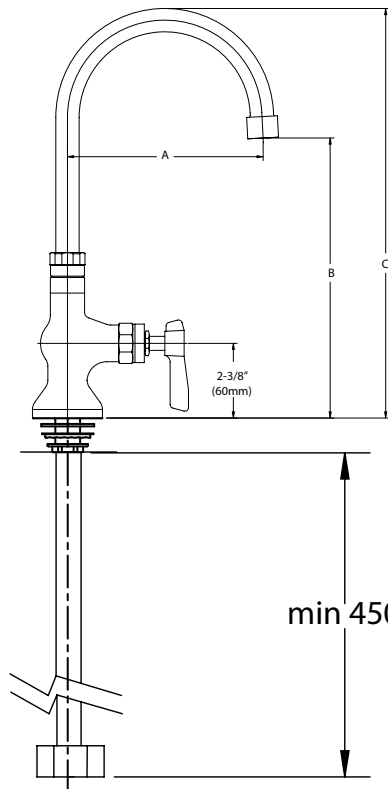
KL64-9x0x-xE4 Series



KL64-9x0x-xE1 Series



KL64-9x0x-xE2 Series



1x stainless steel supply line (1/2-14 NPT)

Model No.	Spout	Flow Rate	Handles	Valves	A	B	C
KL64-9100-RE1	Rigid Gooseneck	2.2GPM	Standard Lever	Ceramic	3-1/2" (89mm)	8-9/16" (217mm)	10-13/16" (275mm)
KL64-9000-RE1				Compression			
KL64-9102-RE1				Ceramic	6" (152mm)	8-1/16" (205mm)	11-3/4" (370mm)
KL64-9002-RE1				Compression			
KL64-9101-RE1				Ceramic	8-1/2" (216mm)	8-13/16" (205mm)	11-3/4" (298mm)
KL64-9001-RE1				Compression			
KL64-9100-SE1	Adjustable Gooseneck	2.2GPM	Standard Lever	Ceramic	3-1/2" (89mm)	9-3/8" (238mm)	11-5/8" (295mm)
KL64-9000-SE1				Compression			
KL64-9102-SE1				Ceramic	6" (152mm)	11-3/8" (289mm)	15-1/16" (383mm)
KL64-9002-SE1				Compression			
KL64-9101-SE1				Ceramic	8" (203mm)	15-1/8" (384mm)	17-7/8" (454mm)
KL64-9001-SE1				Compression			

COMPLIES WITH:
THE FEDERAL "REDUCTION OF LEAD
IN DRINKING WATER ACT" -
2011 - US SENATE BILL NO. S.3874
NSF/ANSI 61/9, ANNEX G



FAUCET, EUROPEAN / INTERNATIONAL, SINGLE PANTRY DECK MOUNT KL64-9000 SERIES



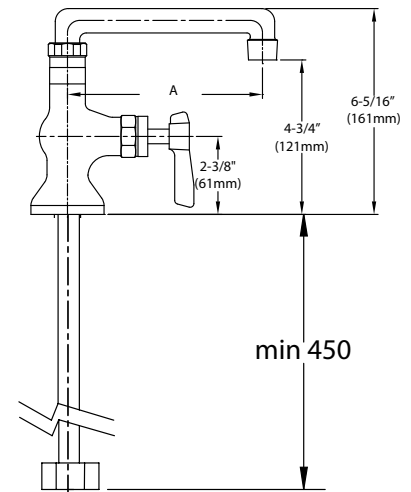
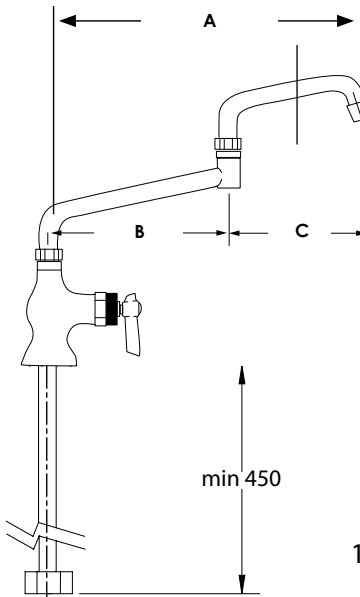
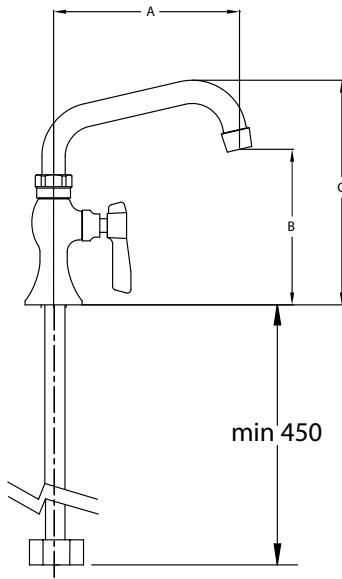
KL64-9x0x-SE1 Series



KL64-9xxx-SE1 Series



KL64-9x0x-TE1 Series



1x stainless steel supply line (1/2-14 NPT)

Model No.	Spout	Flow Rate	Handles	Valves	A	B	C			
KL64-9106-SE1	Stainless Steel Tubular Swing	2.2GPM	Standard Lever	Ceramic	6" (152mm)	6-1/16" (154mm)	8-5/16" (211mm)			
KL64-9006-SE1				Compression						
KL64-9108-SE1				Ceramic	8" (203mm)	6-9/16" (167mm)	8-13/16" (224mm)			
KL64-9008-SE1				Compression						
KL64-9110-SE1				Ceramic	10" (254mm)	7" (179mm)	9-1/4" (235mm)			
KL64-9010-SE1				Compression						
KL64-9112-SE1				Ceramic	12" (305mm)	7-7/16" (189mm)	9-11/16" (246mm)			
KL64-9012-SE1				Compression						
KL64-9114-SE1				Ceramic	14" (356mm)	7-7/8" (200mm)	10-1/8" (257mm)			
KL64-9014-SE1				Compression						
KL64-9116-SE1				Ceramic	16" (406mm)	8-5/16" (211mm)	10-9/16" (268mm)			
KL64-9016-SE1				Compression						
KL64-9118-SE1				Double Jointed Stainless Steel Tubular Swing	2.2GPM	Standard Lever	Ceramic	18" (457mm)	12" (305mm)	6" (152mm)
KL64-9018-SE1							Compression			
KL64-9124-SE1	Ceramic	24" (609mm)	12" (305mm)				12" (305mm)			
KL64-9024-SE1	Compression									
KL64-9106-TE1	Cast Tubular Swing	2.2GPM	Standard Lever	Ceramic	6" (152mm)	—	—			
KL64-9006-TE1				Compression						
KL64-9108-TE1				Ceramic	8" (203mm)	—	—			
KL64-9008-TE1				Compression						

COMPLIES WITH:
THE FEDERAL "REDUCTION OF LEAD
IN DRINKING WATER ACT" -
2011 - US SENATE BILL NO. S.3874
NSF/ANSI 61/9, ANNEX G



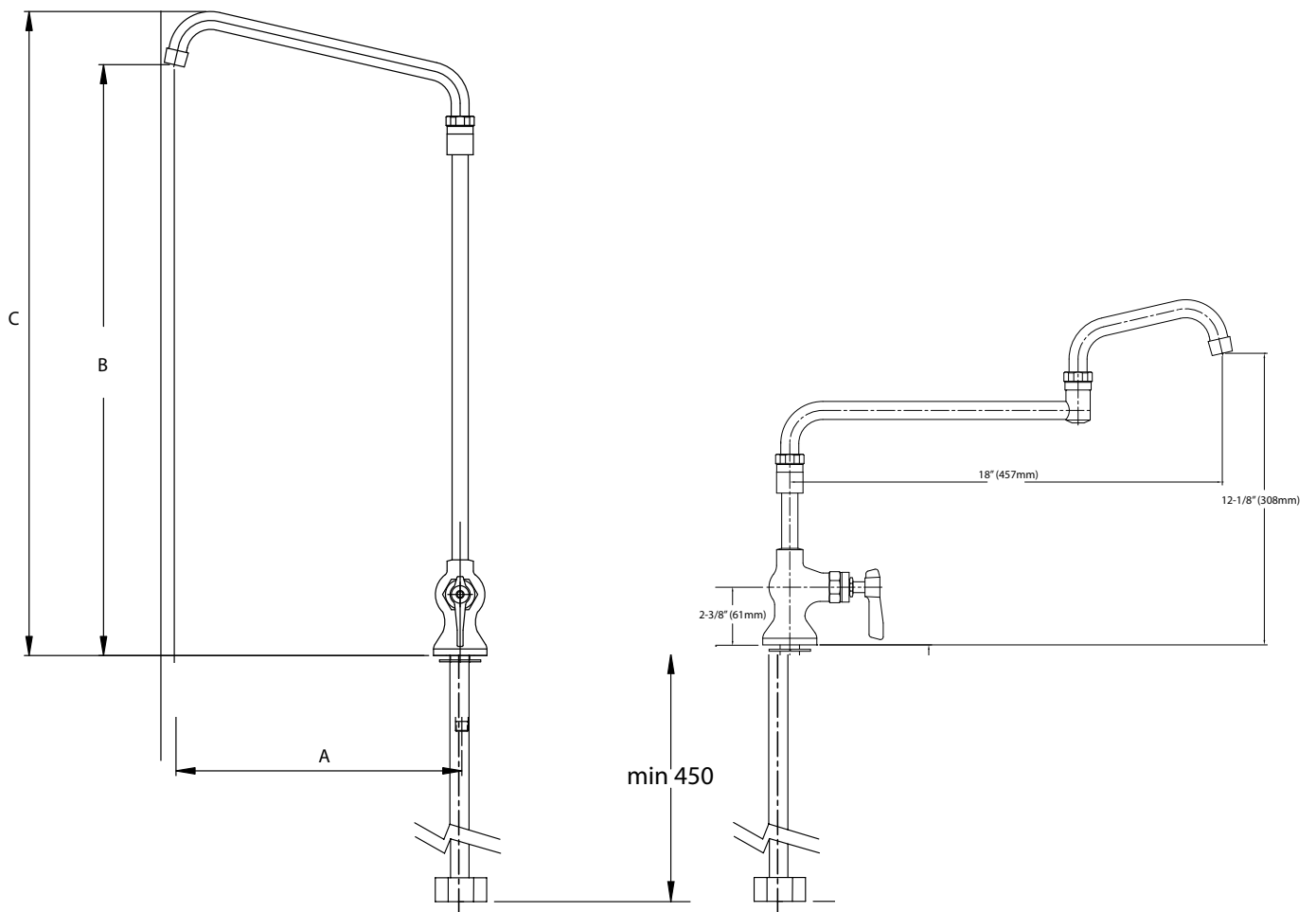
FAUCET, EUROPEAN / INTERNATIONAL, ELEVATED SWING SPOUT, SINGLE PANTRY DECK MOUNT KL65-9000 SERIES



KL65-901x-SE1 Series



KL65-9018-SP1 Series



1x stainless steel supply line (1/2-14 NPT)

Model No.	Spout	Flow Rate	Handles	Valves	A	B	C
KL65-9010-SE1	Stainless Steel Tubular Swing	2.2GPM	Standard Lever	Compression	10" (254mm)	24-5/16" (618mm)	26-9/16" (675mm)
KL65-9012-SE1					12" (305mm)	24-13/16" (630mm)	27" (686mm)
KL65-9018-SP1					—	—	—

COMPLIES WITH:
THE FEDERAL "REDUCTION OF LEAD
IN DRINKING WATER ACT" -
2011 - US SENATE BILL NO. S.3874
NSF/ANSI 61/9, ANNEX G



TOP-LINE™ PRE-RINSE, EUROPEAN / INTERNATIONAL, DECK MOUNT, SINGLE PANTRY TLL20-1000 SERIES

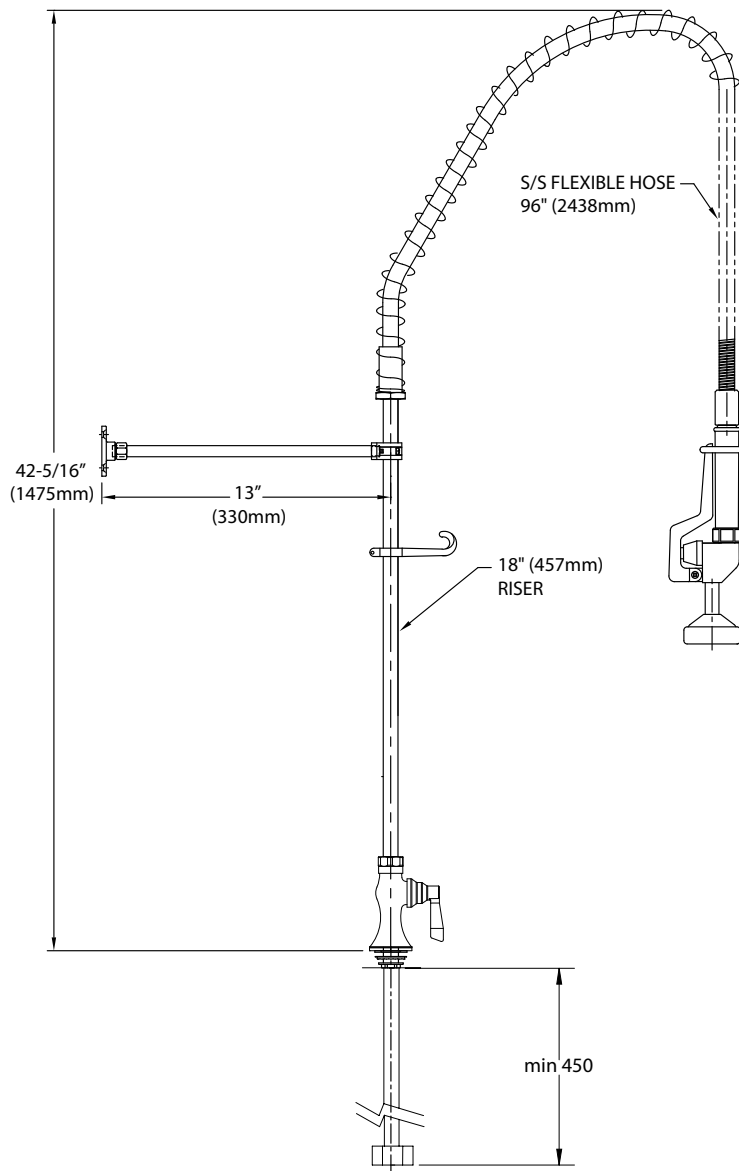
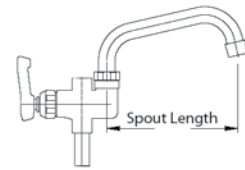
Model	Flow Rate	Valves	Spring	Wall Bracket
TLL20-1000-BR	1.6GPM	Compression	Chrome Plated	Yes

Approximate shipping weight - 10 lb
Warranty - 1 year parts



ADD-ON FAUCETS

Model	Spout Length
TLL13-7006SE1	6" (152mm)
TLL13-7008SE1	8" (203mm)
TLL13-7010SE1	10" (254mm)
TLL13-7012SE1	12" (305mm)
TLL13-7014SE1	14" (356mm)
TLL13-7016SE1	16" (406mm)



1x stainless steel supply line (1/2-14 NPT)

NOTE: Uses TLL50-0010 Repair Kit

COMPLIES WITH:
THE FEDERAL "REDUCTION OF LEAD
IN DRINKING WATER ACT" -
2011 - US SENATE BILL NO. S.3874
NSF/ANSI 61/9, ANNEX G



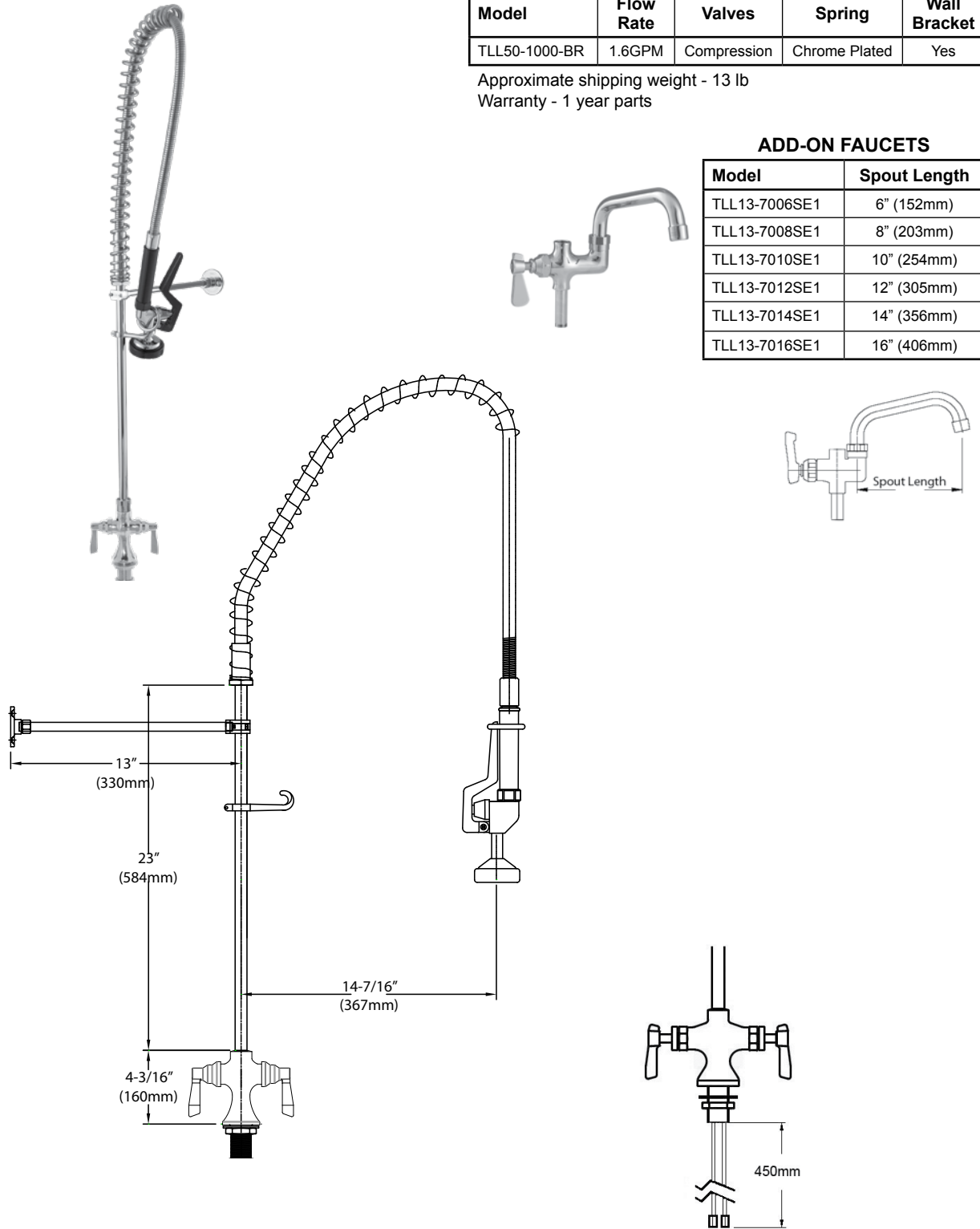
TOP-LINE™ PRE-RINSE, EUROPEAN / INTERNATIONAL, DECK MOUNT, DOUBLE PANTRY TLL50-1000 SERIES

Model	Flow Rate	Valves	Spring	Wall Bracket
TLL50-1000-BR	1.6GPM	Compression	Chrome Plated	Yes

Approximate shipping weight - 13 lb
Warranty - 1 year parts

ADD-ON FAUCETS

Model	Spout Length
TLL13-7006SE1	6" (152mm)
TLL13-7008SE1	8" (203mm)
TLL13-7010SE1	10" (254mm)
TLL13-7012SE1	12" (305mm)
TLL13-7014SE1	14" (356mm)
TLL13-7016SE1	16" (406mm)



Flexible hose connections Female 3/8"

NOTE: Uses TLL50-0010 Repair Kit

COMPLIES WITH:
THE FEDERAL "REDUCTION OF LEAD
IN DRINKING WATER ACT" -
2011 - US SENATE BILL NO. S.3874
NSF/ANSI 61/9, ANNEX G



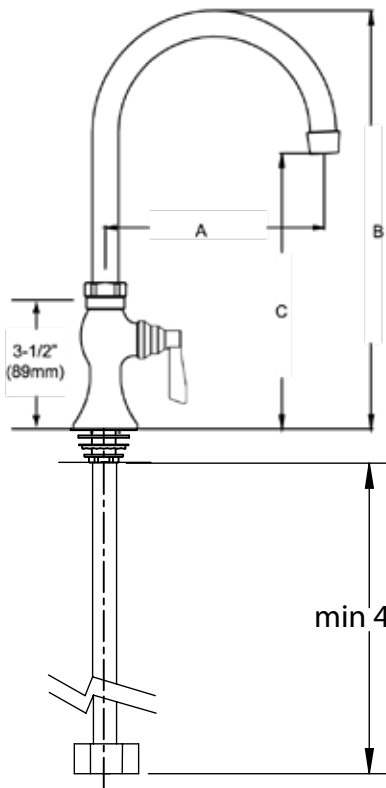
TOP-LINE™ FAUCET, EUROPEAN / INTERNATIONAL, DECK MOUNT, SINGLE PANTRY TLL20-8000 SERIES



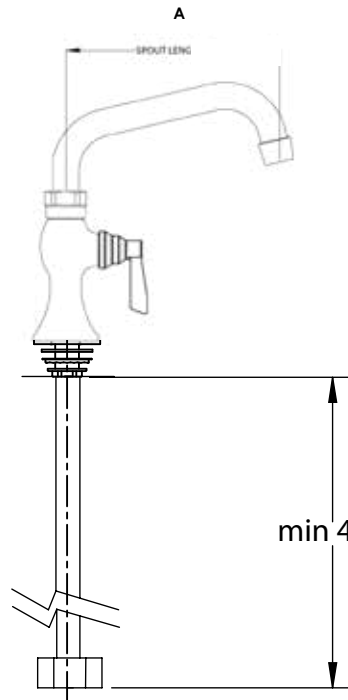
TLL20-8031-x Series



TLL20-803xSE1 Series



min 450



min 450

1x stainless steel supply line (1/2-14 NPT)

Model No.	Spout	Flow Rate	Handles	Valves	A	B	C
TLL20-8031-0	Adjustable Gooseneck	2.2GPM	Standard Lever	Compression	3-1/2" (89mm)	7-1/2" (191mm)	4-3/4" (121mm)
TLL20-8031-1					8-1/2" (216mm)	11" (279mm)	4-3/4" (121mm)
TLL20-8031-2					6" (152mm)	8-1/2" (216mm)	4-1/4" (108mm)
TLL20-8030SE1	Tubular Swing	2.2GPM	Standard Lever	Compression	6" (152mm)	—	—
TLL20-8032SE1					8" (203mm)		
TLL20-8033SE1					10" (254mm)		
TLL20-8034SE1					12" (305mm)		

NOTE: Uses KL13-0010 Repair Kit

COMPLIES WITH:
THE FEDERAL "REDUCTION OF LEAD
IN DRINKING WATER ACT" -
2011 - US SENATE BILL NO. S.3874
NSF/ANSI 61/9, ANNEX G



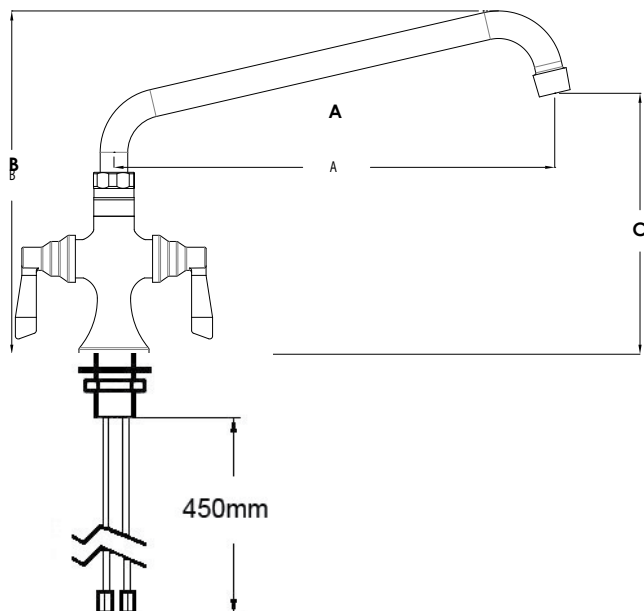
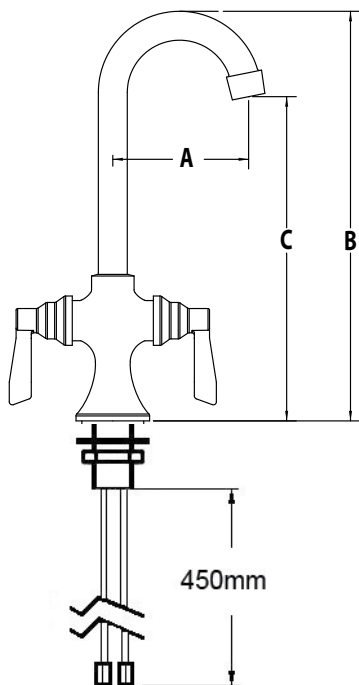
TOP-LINE™ FAUCET, EUROPEAN / INTERNATIONAL, DECK MOUNT, DOUBLE PANTRY TLL50-9000 SERIES



TLL50-9000xSE1 Series



TLL50-90xxSE1 Series



Flexible hose connections Female 3/8"

Model No.	Spout	Flow Rate	Handles	Valves	A	B	C
TLL50-9000SE1	Adjustable Gooseneck	2.2GPM	Standard Lever	Compression	3-1/2" (89mm)	10-5/8" (270mm)	8-3/8" (213mm)
TLL50-9001SE1					8-1/2" (216mm)	14-3/8" (365mm)	8-5/8" (219mm)
TLL50-9002SE1					6" (152mm)	11-3/4" (289mm)	8" (203mm)
TLL50-9006SE1	Tubular Swing	2.2GPM	Standard Lever	Compression	6" (152mm)	8-1/4" (210mm)	6-1/8" (156mm)
TLL50-9008SE1					8" (203mm)	8-3/4" (222mm)	6-3/8" (162mm)
TLL50-9010SE1					10" (254mm)	9" (229mm)	6-7/8" (175mm)
TLL50-9012SE1					12" (305mm)	9-1/2" (241mm)	7-1/4" (184mm)
TLL50-9014SE1					14" (356mm)	9-3/4" (248mm)	7-1/2" (191mm)

NOTE: Uses TLL50-0010 Repair Kit

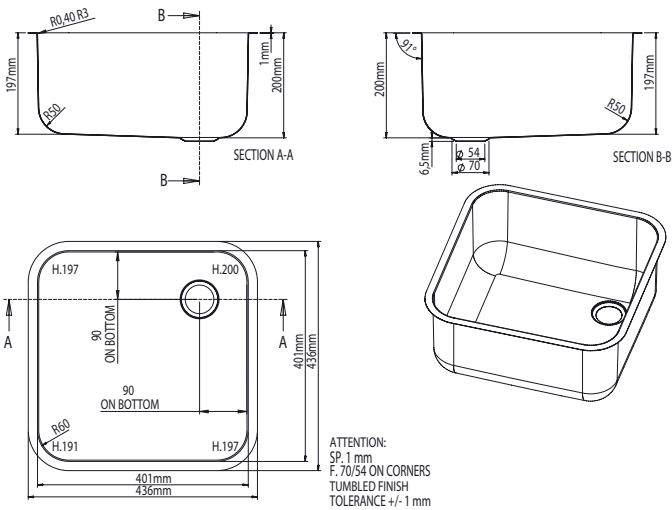
COMPLIES WITH:
THE FEDERAL "REDUCTION OF LEAD
IN DRINKING WATER ACT" -
2011 - US SENATE BILL NO. S.3874
NSF/ANSI 61/9, ANNEX G



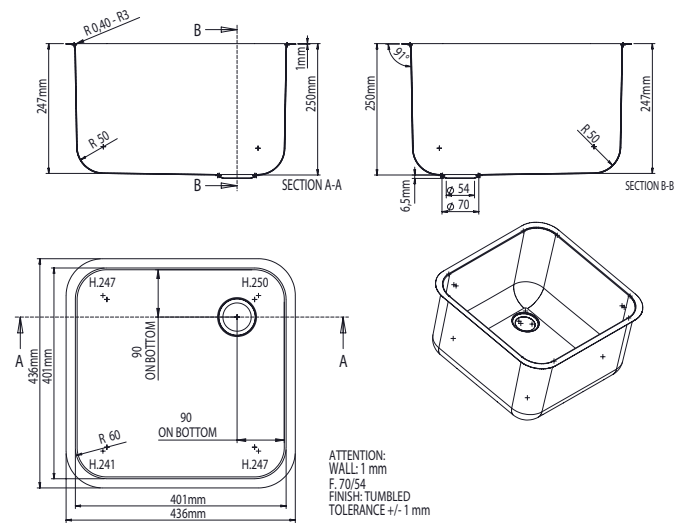
SINK BOWL, EUROPEAN / INTERNATIONAL SBM SERIES



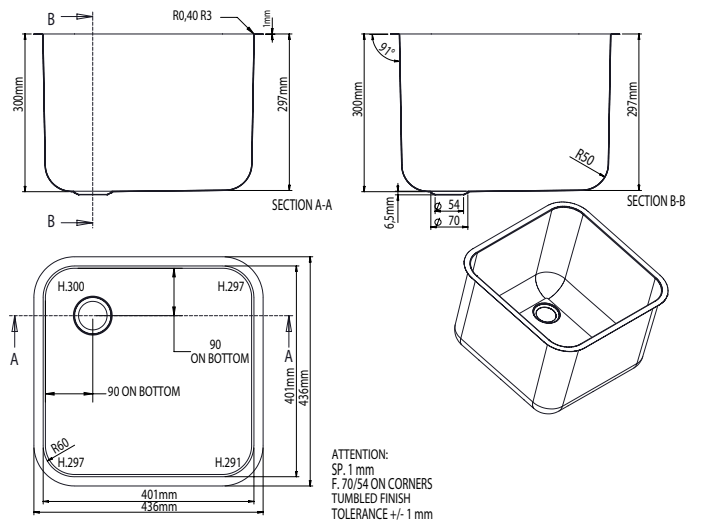
SBM Series



SBM-404020-TF



SBM-404025-TF



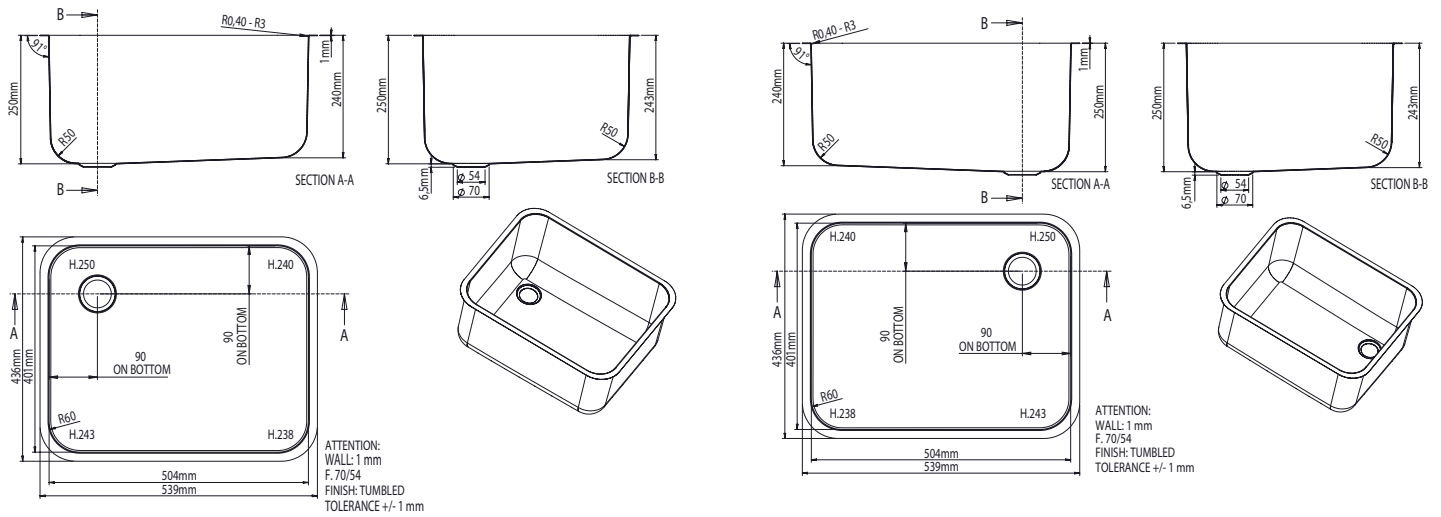
SBM-404030-TF

Model No.	Dimensions
SBM-23150-TF	355 x 325 x 150 mm
SBM-300125-TF	300 x 125 mm, round
SBM-360180-TF	360 x 180 mm, round
SBM-404020-TF	400 x 400 x 200 mm
SBM-404025-TF	400 x 400 x 250 mm
SBM-404030-TF	400 x 400 x 300 mm
SBM-454520-TF	450 x 450 x 200 mm
SBM-454525-TF	450 x 450 x 250 mm
SBM-503030-TF	500 x 300 x 300 mm

SINK BOWL, EUROPEAN / INTERNATIONAL SBM SERIES

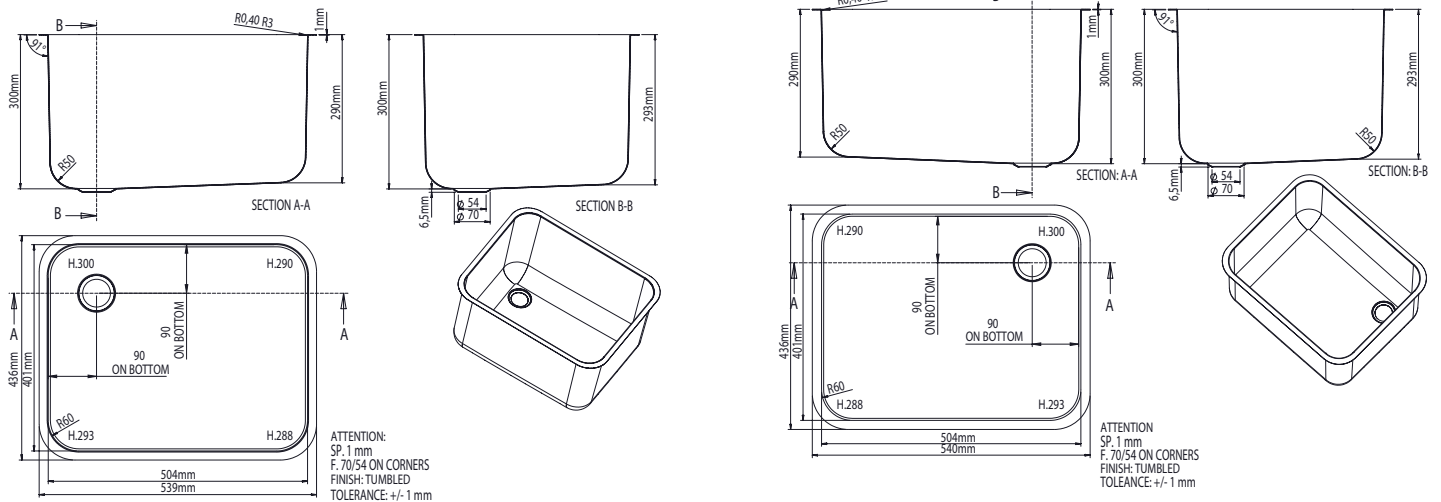


SBM Series



SBM-504025-TFL

SBM-504025-TFR



SBM-504030-TFL

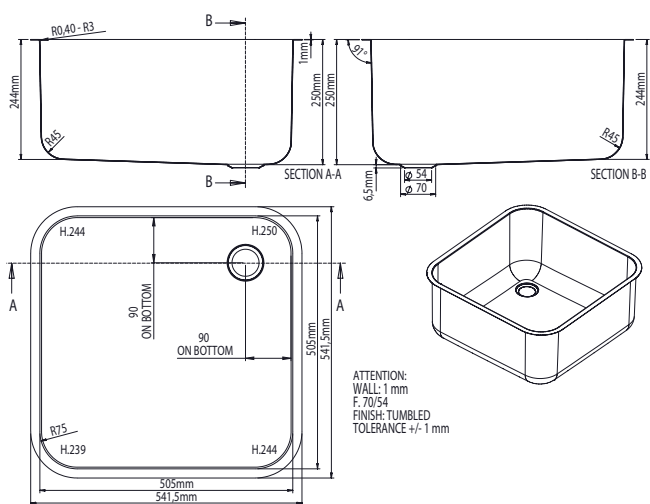
SBM-504030-TFR

Model No.	Dimensions	Drain Hole Location
SBM-504025-TFL	500 x 400 x 250 mm	Left
SBM-504025-TFR	500 x 400 x 250 mm	Right
SBM-504030-TFL	500 x 400 x 300 mm	Left
SBM-504030-TFR	500 x 400 x 300 mm	Right

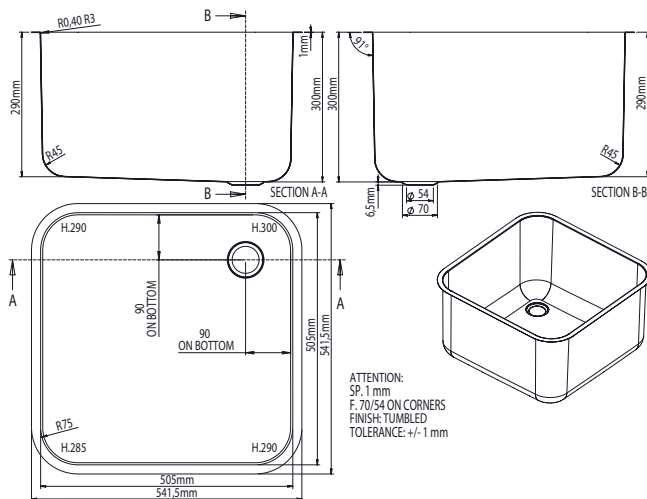
SINK BOWL, EUROPEAN / INTERNATIONAL SBM SERIES



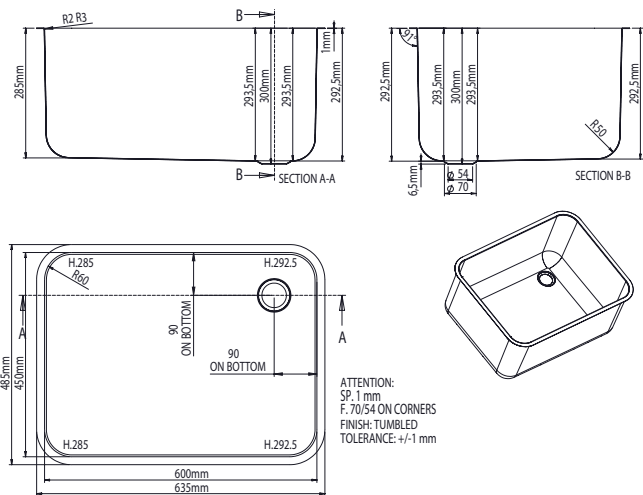
SBM Series



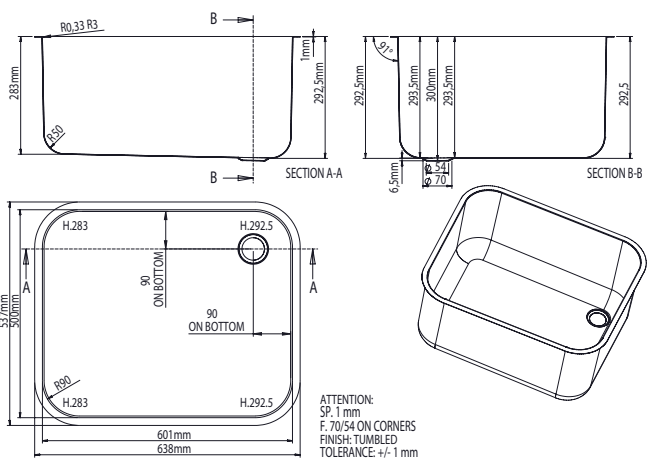
SBM-505025-TF



SBM-505030-TF



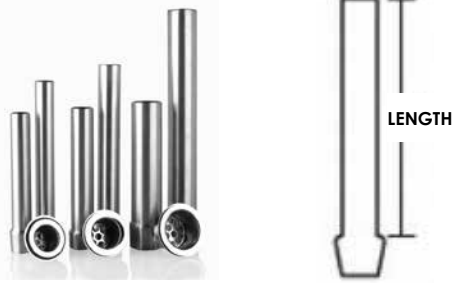
SBM-604530-TFR



SBM-605030-TFR

Model No.	Dimensions	Drain Hole Location
SBM-505025-TF	500 x 500 x 250 mm	—
SBM-505030-TF	500 x 500 x 300 mm	—
SBM-604530-TFL	600 x 450 x 300 mm	Left
SBM-604530-TFR	600 x 450 x 300 mm	Right
SBM-605030-TFL	600 x 500 x 300 mm	Left
SBM-605030-TFR	600 x 500 x 300 mm	Right

OVERFLOW TUBES, ACCESSORIES AND REPLACEMENT PARTS EUROPEAN / INTERNATIONAL STYLE



European Style Overflow Tubes		
Model	Description	Length
E13-0240	1-1/2" (38mm) Dia., AISI 304	190mm
E13-0242	1-1/2" (38mm) Dia., AISI 304	250mm
E13-0244	1-1/2" (38mm) Dia., AISI 304	300mm
E13-0245	1-1/2" (38mm) Dia., AISI 304	130mm
E13-0246	1-1/2" (38mm) Dia., AISI 304	170mm
E13-0246/316	1-1/2" (38mm) Dia., AISI 304	
E13-0247	1-1/2" (38mm) Dia., AISI 304	200mm
E13-0248	1-1/2" (38mm) Dia., AISI 304	220mm
E13-0248/316	1-1/2" (38mm) Dia., AISI 316	
E13-0250	1-1/2" (38mm) Dia., AISI 304	270mm
E13-0250/316	1-1/2" (38mm) Dia., AISI 316	
E13-1190	1-1/4" (32mm), Stainless Steel	190mm
E13-1240	1-1/4" (32mm), Stainless Steel	240mm
E13-2130	2" (51mm), Stainless Steel	130mm
E13-2150	2" (51mm), Stainless Steel	170mm
E13-2200	2" (51mm), Stainless Steel	200mm
E13-2250	2" (51mm), Stainless Steel	250mm
E13-2300	2" (51mm), Stainless Steel	300mm
E13-2350	2" (51mm), Stainless Steel	350mm



AISI 304 Mini Basket Drain for 1-1/2" Overflow Tubes	
Model	Description
E18-1500/2	1-1/2" (38mm) Dia.
E18-2000	2" (51mm) Dia.



Flexible Hose Cold Water Side, Female for European Style KN50 Plumbing 450mm	
Model	Description
KN50-Y105	Female 3/8"
KN50-Y105-18	Female 1/2"



European Style Overflow Tubes with Plastic Strainer for Deep Bowl		
Model	Length	Dia.
SS 10	250mm	1-1/2" (38mm)
SS 12	300mm	
SS 14	400mm	



Triangle Handle, Fits Encore Valves	
Model	K35-X217



Adapter for Encore Sprayhead to European Pre-Rinse Hose	
Model	KN50-X215



Adapter for Flexible Hose KN50-Y105/KN50-Y106 Male 3/8" to Male 1/2"	
Model	KN50-X278



Flexible Hose Hot Water Side, Female for European Style KN50 Plumbing 450mm	
Model	Description
KN50-Y106	Female 3/8"
KN50-Y106-18	Female 1/2"

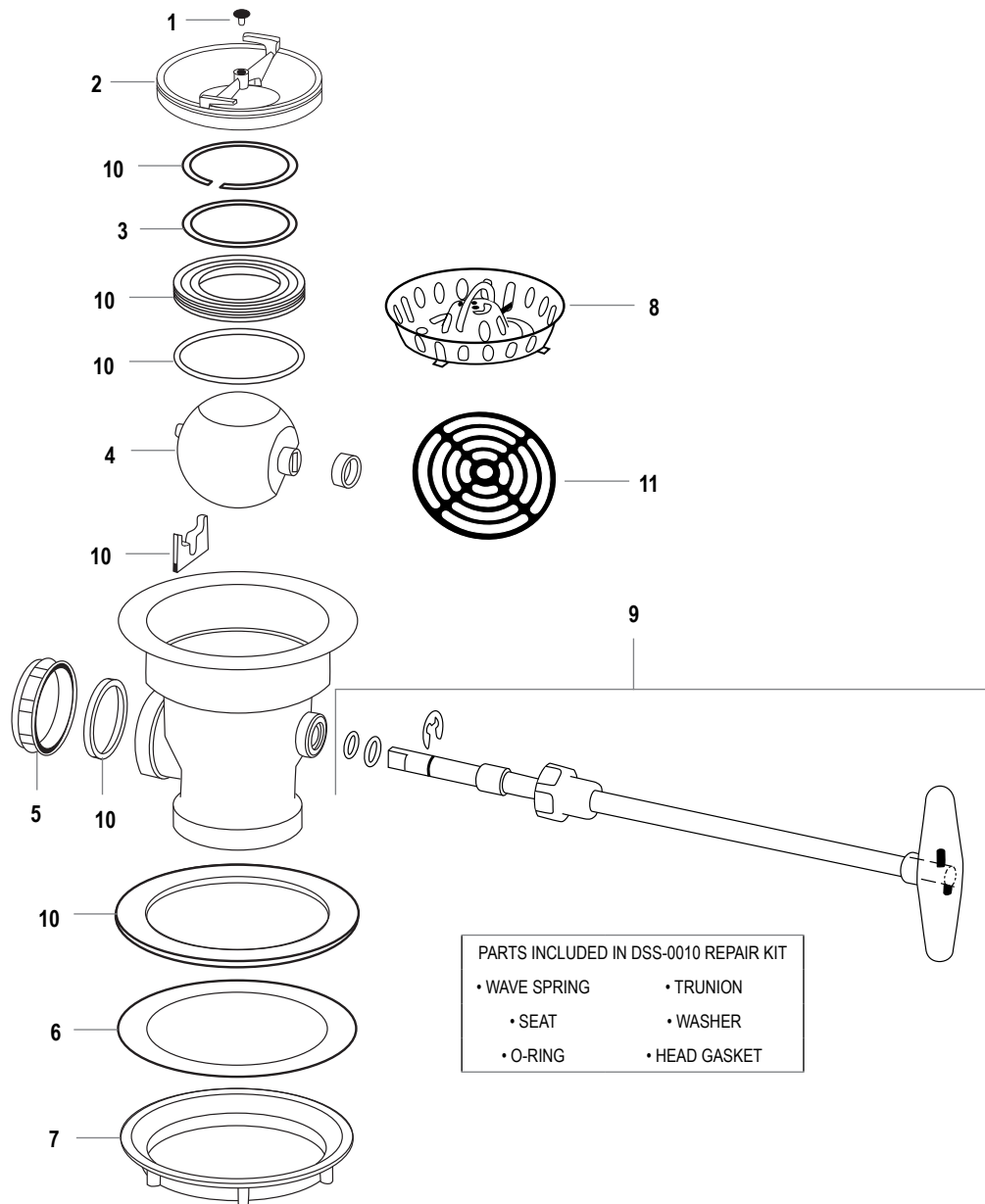
SERVICE PARTS BREAKDOWN TABLE OF CONTENTS

DBN-8000-X/DSS-8000-X	277	KN60-5000/KL60-5000	321
D55-7510-R	278	KN61-8000/KL61-8000	322-323
K25-1000/KL25-1000	279	KN62-8000/KL62-8000	324
K25-3000	280	KN63-1000/KL63-1000	325
KN26-5000	281	KN63-2000/KL63-2000	326
K27-1000/KL27-1000	282	KN63-3000/KL63-3000	327
K30-1000	283	KN64-9000/KL64-9000	328-329
KHR-5635	284	KN65-9000/KL65-9000	330
KN33-9000/KL33-9000	285	KN66-1000/KL66-1000	331
KN34-1000/KL34-1000	286	KN66-2000/KL66-2000	332
KN34-8000/KL34-8000	287	KN66-3000/KL66-3000	333
KN41-4000/KL41-4000	288-289	KN66-5000/KL66-5000	334
KN41-8000/KL41-8000	290-291	KN67-6000/KL67-6000	335-336
KN43-4050	292	KN69-1000/KL69-1000	337
KN45-4000/KL45-4000	293-294	KN69-2000/KL69-2000	338
KN45-8000/KL45-8000	295-296	KN69-3000/KL69-3000	339
KN50-1000/KL50-1000	297	KN70-9000/KL70-9000	340-341
KN50-2000/KL50-2000	298	KN71-1000/KL71-1000	342
KN50-3000/KL50-3000	299	KN71-2000/KL71-2000	343
KN50-5000/KL50-5000	300	KN71-3000/KL71-3000	344
KN51-9000/KL51-9000	301-302	KN72-9000/KL72-9000	345-346
KN52-9000/KL52-9000	303	KN73-1000/KL73-1000	347
KN53-1000/KL53-1000	304	KN73-2000/KL73-2000	348
KN53-2000/KL53-2000	305	KN73-3000/KL73-3000	349
KN53-3000/KL53-3000	306	KN74-9000/KL74-9000	350-351
KN53-5000/KL53-5000	307	KN76-9000/KL76-9000	352
KN54-8000/KL54-8000	308-309	K77-8002	353
KN55-7000/KL55-7000	3010	K77-8006-BR	354
KN56-1000/KL56-1000	311	K77-8102	355
KN56-2000/KL56-2000	312	K77-8106-BR	356
KN56-3000/KL56-3000	313	KN83-4000/KL83-4000	357-358
KN56-5000/KL56-5000	314	KN84-8000/KL84-8000	359
KN57-4000/KL57-4000	315-316	KL84-8105-CE4	360
KN58-4000/KL58-4000	317	TLL13-1000/K13-1000	361
KN60-1000/KL60-1000	318	TLL15-4000	362
KN60-2000/KL60-2000	319		
KN60-3000/KL60-3000	320		

ROTARY DRAIN DSS-8000-X • DBN-8000-X DRAINS



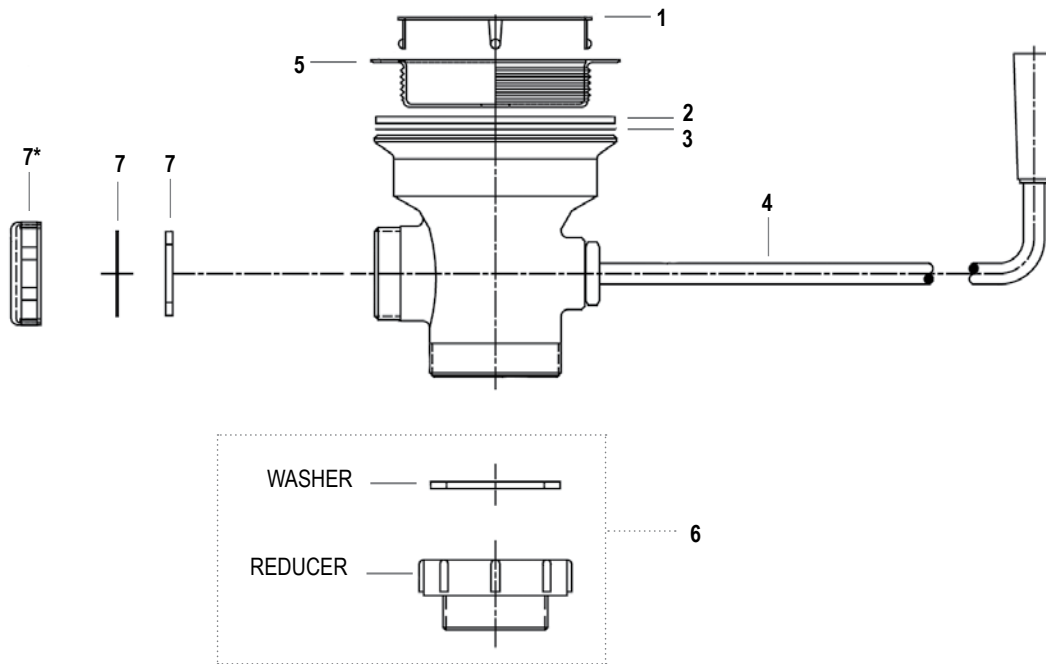
1	DSS-X031	SCREW
2	DSS-X004	RETAINER
3	DSS-X027	BACK-UP RING
4	DSS-X002	S/S BALL
5	DSS-X008	OVERFLOW CAP
6	DSS-X022	SLIP RING
7	DSS-X018	FLANGE NUT
8	DSS-Y003	STRAINER ASSEMBLY
9	DSS-Y002	HANDLE ASSEMBLY
10	DSS-0010	REPAIR KIT
11	DSS-Y007	FLAT STRAINER



TOP-LINE® UNIVERSAL TWIST DRAIN W/ REDUCER

D55-7510-R DRAIN

1	D10-X014	3-1/2" FLAT STRAINER
2	D10-X010	3-1/2" RUBBER GASKET
3	D10-X033	3-1/2" SLIP RING
4	D50-0001	TWIST HANDLE ASSEMBLY
5	D10-X012	3-1/2" FACE FLANGE
6	DPL-Y006	WASHER & REDUCER ASSEMBLY
7	DBN-X008	OVERFLOW CAP ASSEMBLY



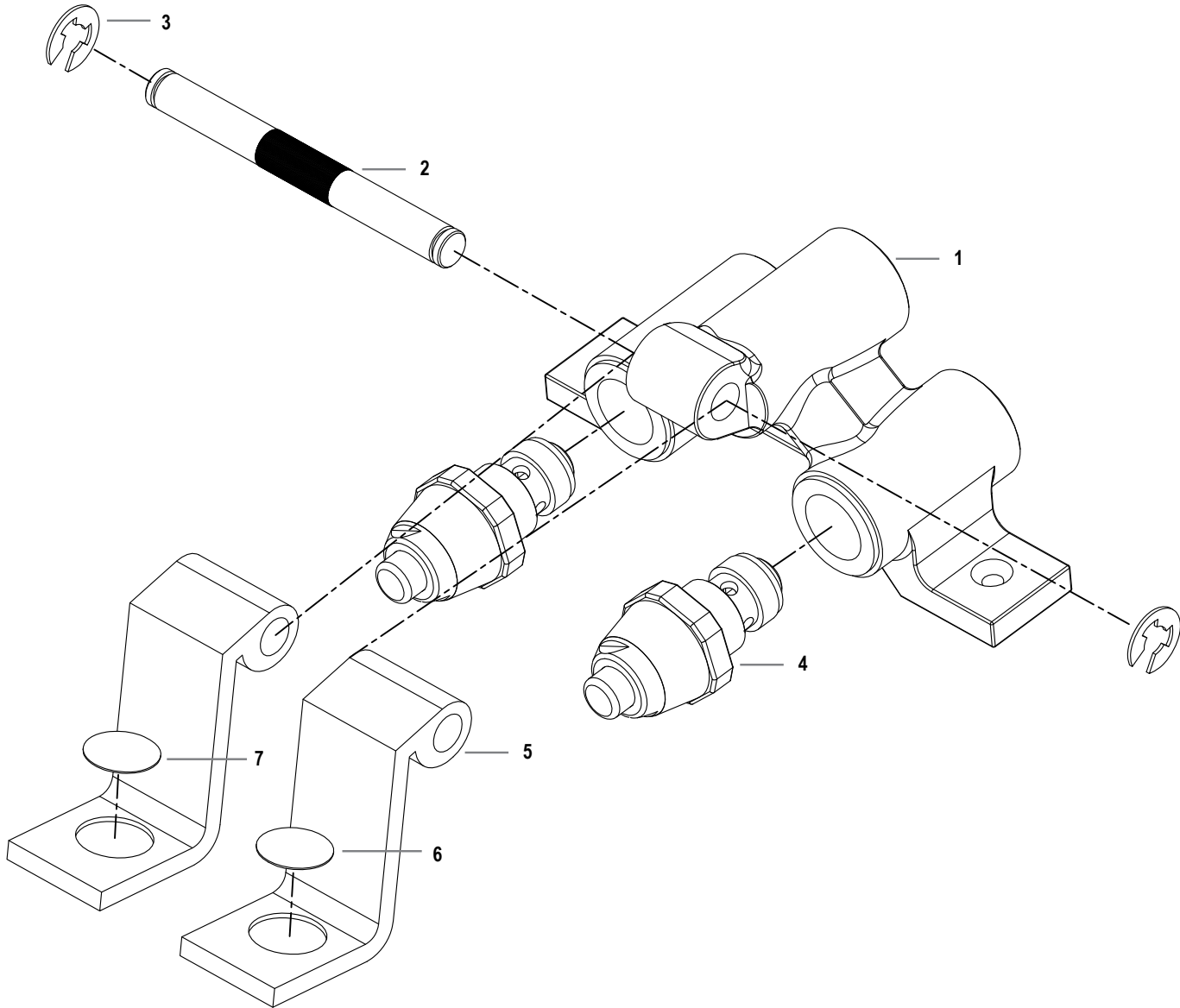
*NOTE: To be removed when overflow tube (E48-4660) is installed.

DUAL PEDAL FOOT CONTROL

K25-1000 • KL25-1000



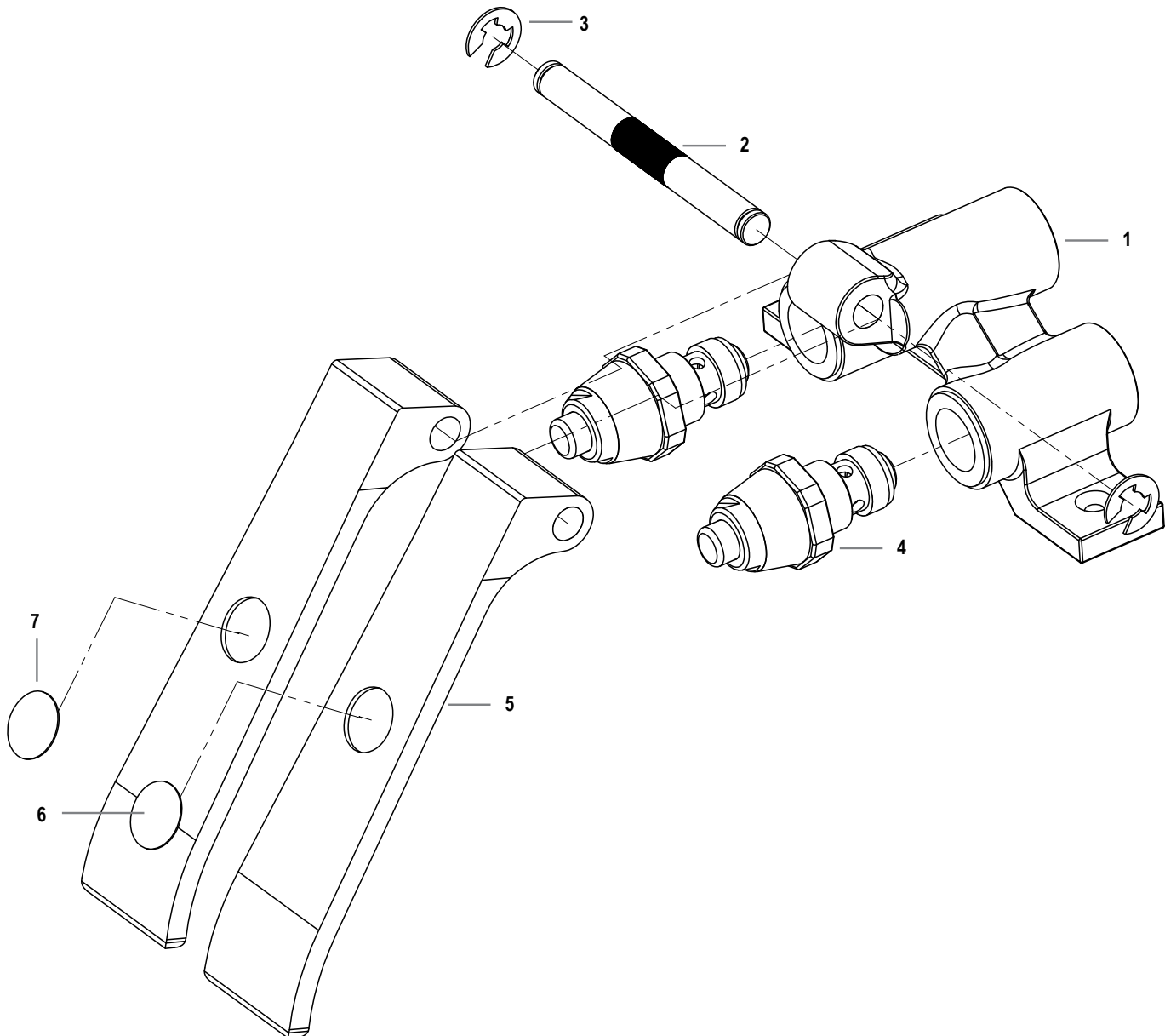
1	K25-X001	DOUBLE VALVE BODY
2	K25-X002	SHAFT
3	K25-X003	E-RING RETAINER CLIP
4	KL50-Y027	BUTTON VALVE ASSEMBLY
5	K25-X005	FOOT PEDAL
6	K25-X007	COLD INDICATOR
7	K25-X006	HOT INDICATOR



DUAL PEDAL KNEE CONTROL

K25-3000

1	K25-X001	DOUBLE VALVE BODY
2	K25-X002	SHAFT
3	K25-X003	E-RING RETAINER CLIP
4	KL50-Y027	BUTTON VALVE ASSEMBLY
5	K25-X004	KNEE PEDAL
6	K25-X007	COLD INDICATOR
7	K25-X006	HOT INDICATOR

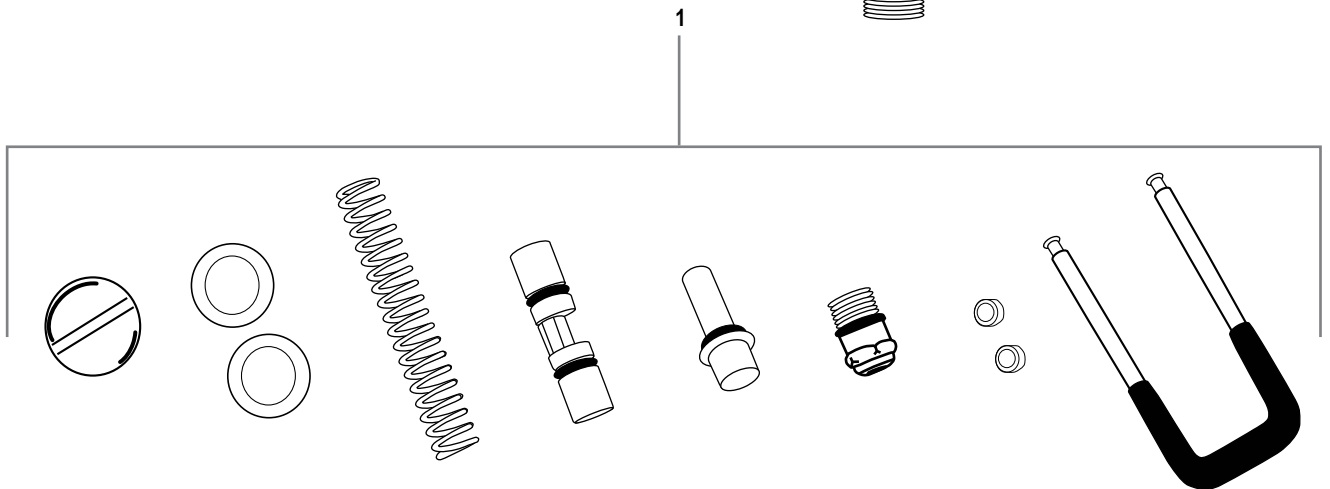
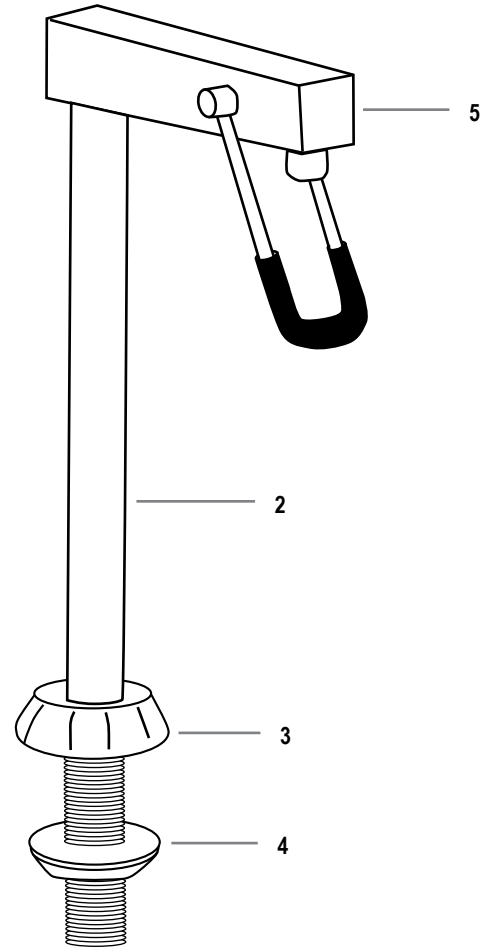


GLASS FILLER PEDESTAL MOUNT

KN26-5000 • KL26-5000



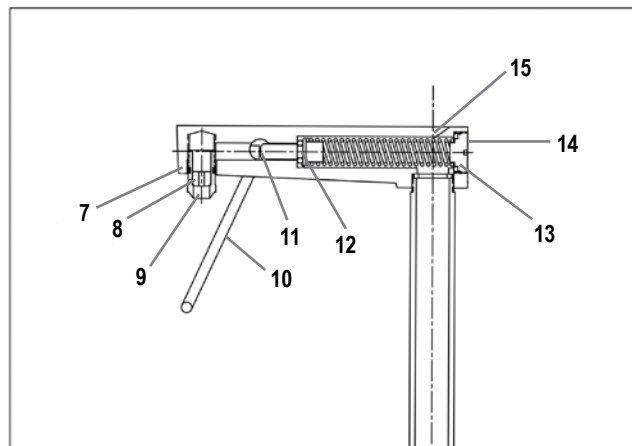
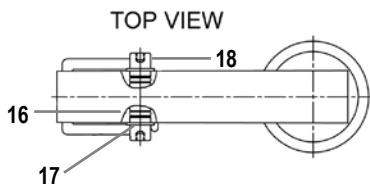
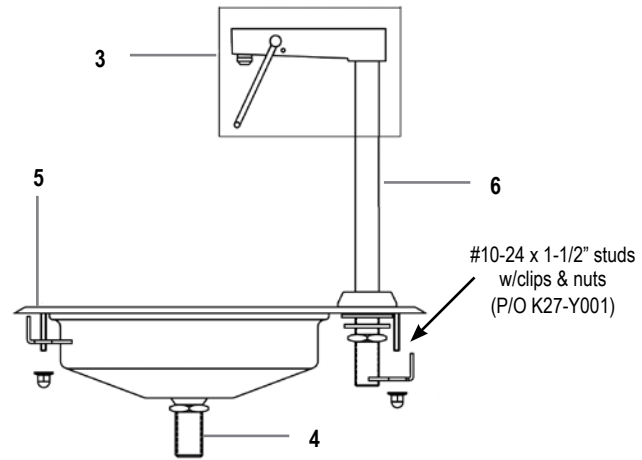
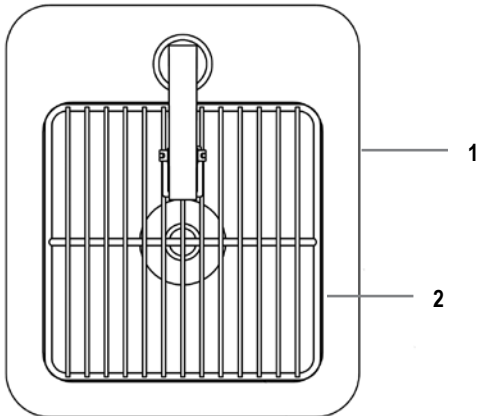
1	KL26-0010	REPAIR KIT
2	KN26-X023	8" RISER PIPE
3	K70-X002	ESCUTCHEON FLANGE
4	K70-Y003	MOUNTING KIT
5	KL26-Y010	GLASS FILLER BODY ASS'Y



GLASS FILLER ASSEMBLY WITH FAUCET

K27-1000 • KL27-1000

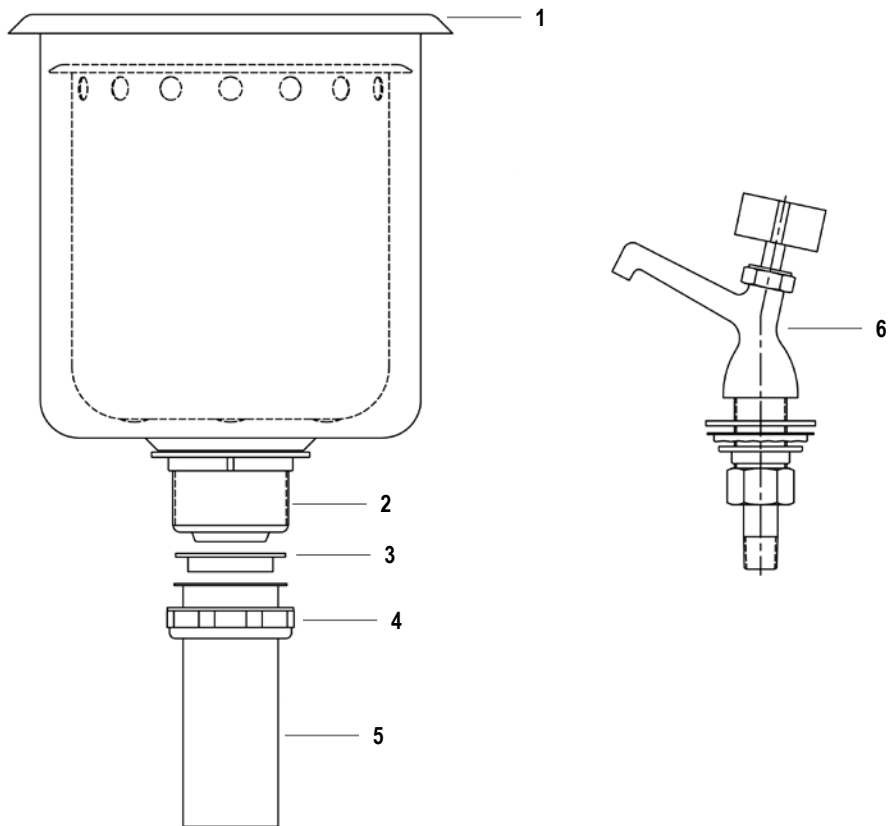
1	K27-X001	STAINLESS STEEL WATER STATION CATCH BASIN W/GRILL
2	K27-X002	WIRE GRILL
3	KL26-5000 KL26-Y010	DECK MOUNTED GLASS FILLER WITH RISER GLASS FILLER BODY ASSEMBLY
4	E16-4172	1/2" X 2" NP DRAIN
5	K27-Y001	WATER STATION CATCH BASIN WITH 1/2" NPS DRAIN
6	KN26-X023 KN26-X023-1 KN26-X032	RISER, 8" RISER, 12" RISER, 15"
	KL26-0010	GLASS FILLER REPAIR KIT, CONSISTING OF THE FOLLOWING:
7	KN26-X004	O-RING, AERATOR
8	KN26-X019	ORIFICE, AERATOR
9	KL26-X017	BODY, AERATOR
10	K26-X016-5	WIRE ARM
11	KN26-X002	PLUNGER
12	KN26-X006	O-RING, PLUNGER
13	KN26-X015	WASHER
14	KL26-X008	PLUG
15	KN26-X041	SPRING
16	KN26-X013	O-RING, CAM (2)
17	KN26-X040-5	CAM
18	KI	



DIPPERWELL ASSEMBLY WITH FAUCET K30-1000 SERIES



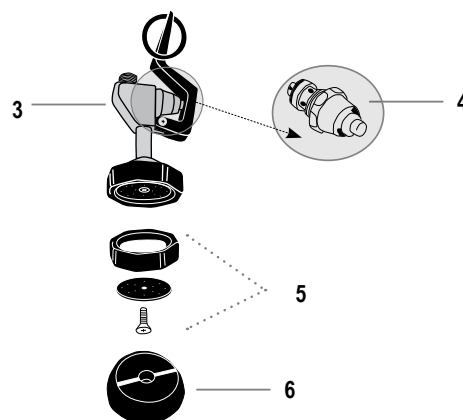
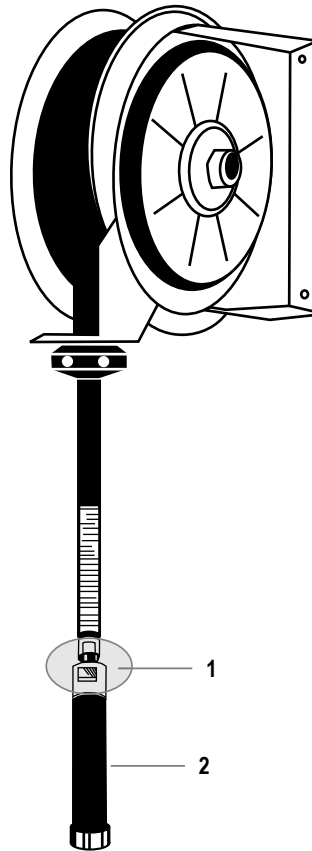
1	K30-Y003	DIPPERWELL INNER/OUTER SHELLS
2	E18-1822-FL	MINI DUO DRAIN, S/S, 1-1/2" NPS
3	E22-X007	POLY WASHER – 1-1/2" TAILPIECE
4	E22-X004	NICKEL PLATED SLIP NUT, 1-1/2" IPS
5	E22-4121-SP	NICKEL PLATED TAILPIECE ONLY, 1-1/2" NPS
6	KL22-3100	DIPPERWELL FAUCET
	KL22-0010	REPAIR KIT, KL22-3100 FAUCET HANDLE



HOSE REEL ASSEMBLY

KHR-5635 SERIES

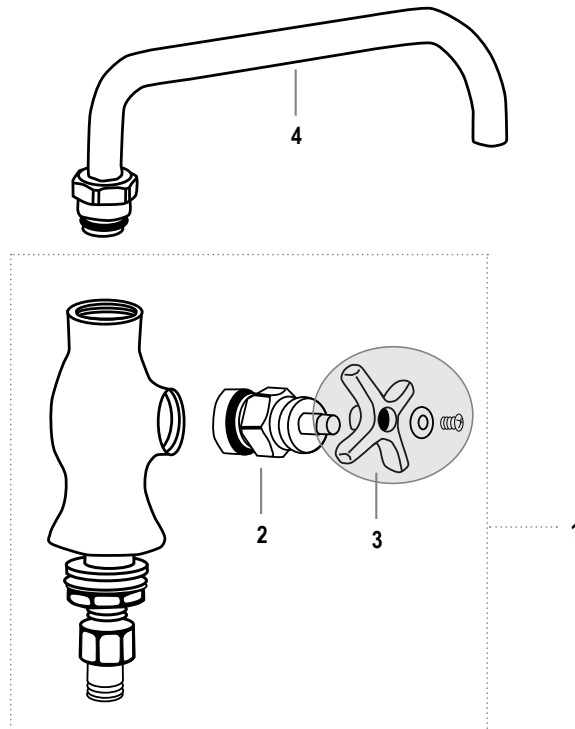
1	KHR-500248	SWIVEL HOSE FITTING
2	KHR-X025	GRIP
3	KL50-Y002	SPRAY HEAD ASSEMBLY – 3.3 GPM
	KL50-Y00216XZ	SPRAY HEAD ASSEMBLY – 1.6 GPM
	KL50-Y00212XZ	SPRAY HEAD ASSEMBLY – 1.2 GPM
4	KL50-Y027	BUTTON VALVE ASSEMBLY
5	KL50-0200	SPRAY HEAD REPAIR KIT – 3.3 GPM
	KL50-0200-16	SPRAY HEAD REPAIR KIT - 1.6 GPM
6	KN50-X065-B	WATER SAVER FACE PLATE – 3.3 GPM
	KN50-X135	WATER SAVER FACE PLATE – 1.6 GPM
	KN50-X135-12	WATER SAVER FACE PLATE – 1.2 GPM
	KN50-X135-065	WATER SAVER FACE PLATE - .65 GPM



DECK MOUNT FAUCETS – SINGLE – SWING SPOUT – 3/4" INLETS KN33-9000 & KL33-9000 SERIES



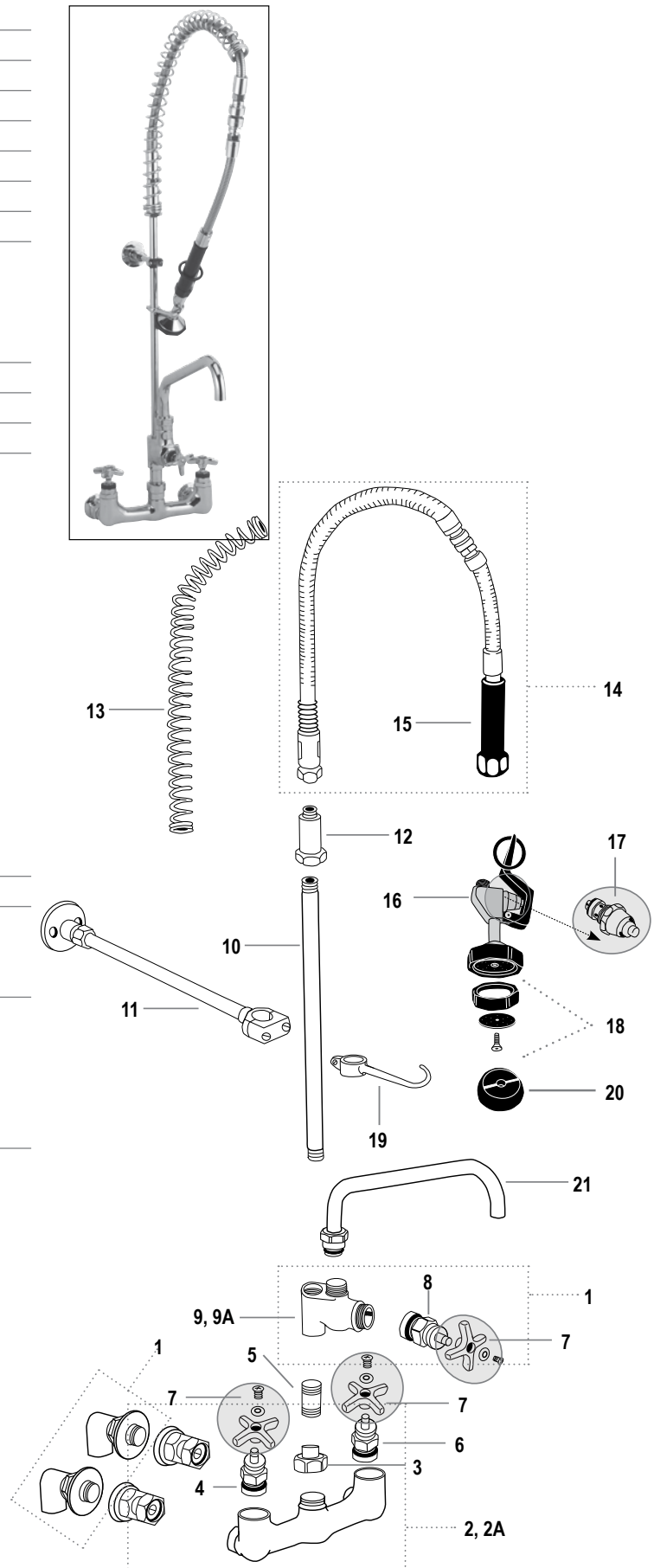
1	KL33-Y001-XZ	FAUCET BODY ASSEMBLY
2	KL34-Y007	HOT VALVE ASSEMBLY
3	K50-0111	CROSS HANDLES, PAIR
4	KL34-Y010	TUBULAR SWING SPOUT, S/S, 10"
	KL34-Y012	TUBULAR SWING SPOUT, S/S, 12"
	KL34-Y014	TUBULAR SWING SPOUT, S/S, 14"
	KL34-Y018	TUBULAR SWING SPOUT, S/S, 18"
	KL34-Y022	TUBULAR SWING SPOUT, S/S, 22" (JOINTED)



SPLASH MOUNT PRE-RINSE UNITS – 8" O.C. – 3/4" INLETS

KN34-1000 • KL34-1000 SERIES

1	KL40-3400	MOUNTING KIT
2	KL34-Y001-XZ	FAUCET BODY ASSEMBLY
2A	KN34-X009-SS	SEATS FOR KL34 FAUCET BODY
3	KL35-Y003	SWIVEL TO RIGID ADAPTER
4	KL34-Y007	HOT VALVE ASSEMBLY
5	KL35-X009	NIPPLE
6	KL34-Y006	COLD VALVE ASSEMBLY
7	K50-0110	LEVER HANDLE REPLACEMENT KIT W/SCREW
	K50-0001	WRIST BLADE HANDLES, PAIR, 4"
	K50-0001-6	WRIST BLADE HANDLES, PAIR, 6"
	K50-0111	CROSS HANDLE ASSEMBLY, PAIR
8	KL35-Y007	ADD-ON VALVE
9	KL35-Y001-XZ	ADD-ON FAUCET ASSEMBLY
9A	KN35-X010-SS	SEATS FOR ADD-ON FAUCET
10	KL50-X077	RISER, 18"
	KL50-X029	RISER, 24"
11	K50-Y020-Z	WALL BRACKET ASSEMBLY
	K50-Y020-6	WALL BRACKET ASSEMBLY, 6"
12	KL50-X032	SPRING RETAINER
13	K50-X033	SPRING
	K50-X178	SPRING, STAINLESS STEEL
14	KL50-Y016-44	HOSE ASSEMBLY WITH VACUUM BREAKER
15	KN50-X025-Z	GRIP
16	KL50-Y002-065	PRE-RINSE SPRAY ASSEMBLY – .65 GPM
	KL50-Y00212XZ	PRE-RINSE SPRAY ASSEMBLY – 1.2 GPM
	KL50-Y00216XZ	PRE-RINSE SPRAY ASSEMBLY – 1.6 GPM
17	KL50-Y027	BUTTON VALVE ASSEMBLY
18	KL50-0200-16	SPRAY HEAD REPAIR KIT 1.6 GPM
19	K50-Y011	HOOK/SCREW ASSEMBLY
20	KN50-X135	WATER SAVER FACE PLATE – 1.6 GPM
	KN50-X135-12	WATER SAVER FACE PLATE – 1.2 GPM
	KN50-X135-065	WATER SAVER FACE PLATE - .65 GPM
21	KL34-Y010	ADD-ON FAUCET, 10"
	KL34-Y012	ADD-ON FAUCET, 12"
	KL34-Y014	ADD-ON FAUCET, 14"
	KL34-Y018	ADD-ON FAUCET, 18"
	KL34-Y022	ADD-ON FAUCET, 22" (JOINTED)

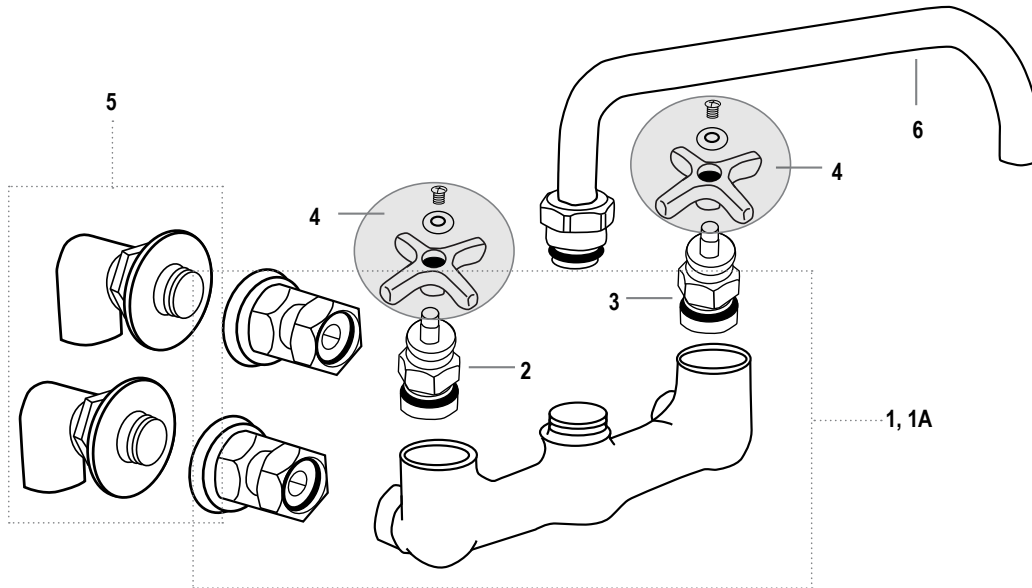


SPLASH MOUNT FAUCETS – 8" O.C. – SWING SPOUT – 3/4" INLETS

KN34-8000 • KL34-8000 SERIES



1	KL34-Y001-XZ	FAUCET BODY ASSEMBLY
1A	KN34-X009-SS	SEATS FOR FAUCET BODY
2	KL34-Y007	HOT VALVE ASSEMBLY
3	KL34-Y006	COLD VALVE ASSEMBLY
4	K50-0110	LEVER HANDLE REPLACEMENT KIT W/SCREW
	K50-0001	WRIST BLADE HANDLES, PAIR, 4"
	K50-0001-6	WRIST BLADE HANDLES, PAIR, 6"
	K50-0111	CROSS HANDLES, PAIR
5	KL40-3400	MOUNTING KIT
6	KL34-Y010	TUBULAR SWING SPOUT, S/S, 10"
	KL34-Y012	TUBULAR SWING SPOUT, S/S, 12"
	KL34-Y014	TUBULAR SWING SPOUT, S/S, 14"
	KL34-Y018	TUBULAR SWING SPOUT, S/S, 18"
	KL34-Y022	TUBULAR SWING SPOUT, S/S, 22" (JOINTED)

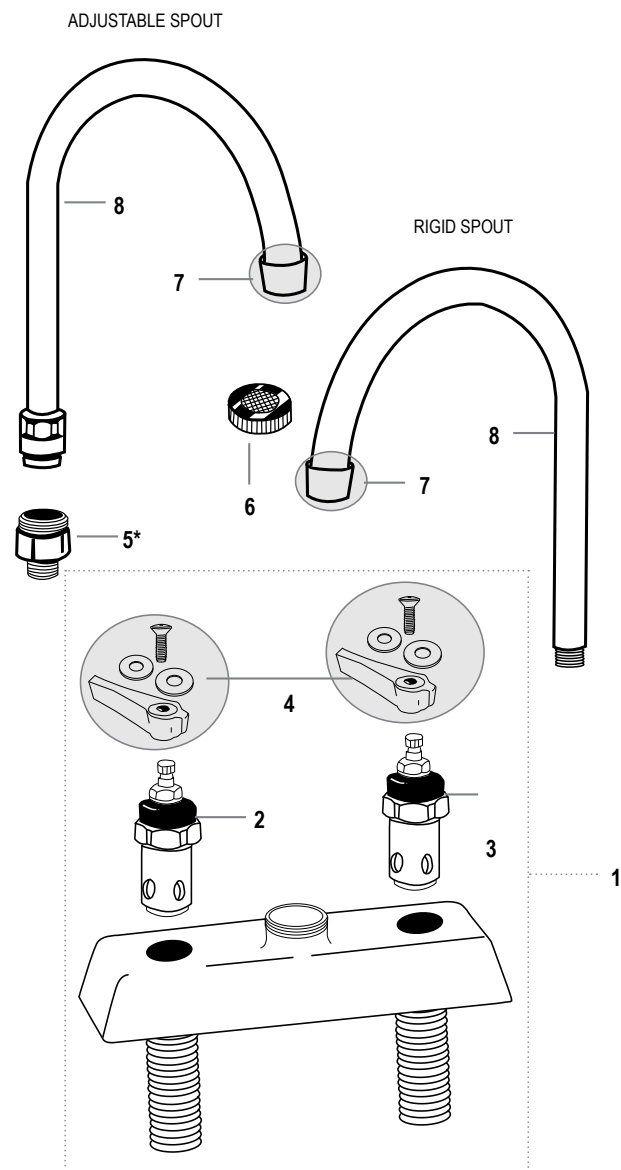


DECK MOUNT FAUCETS – 4” O.C. – GOOSENECK SPOUT

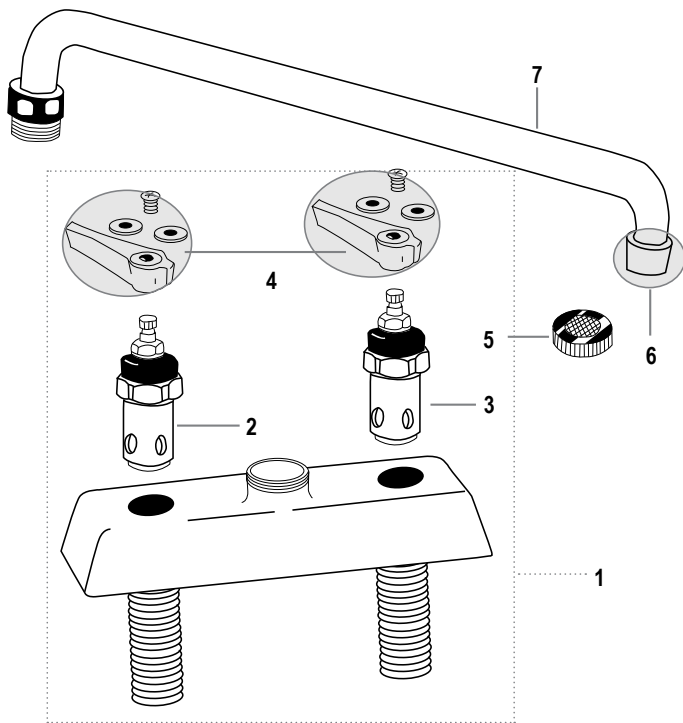
KN41-4000 • KL41-4000 SERIES

1	KL41-Y002-XZ	FAUCET BODY ASSEMBLY	
2	KL41-Y007	HOT VALVE ASSEMBLY – ¼ TURN – COMPRESSION	
	KL41-Y007-CCV	HOT VALVE ASSEMBLY – ¼ TURN – CERAMIC	
	KL41-Y007-KT	HOT VALVE ASSEMBLY – ¼ TURN – COMPRESSION – WITH HANDLE	
	KL41-Y007CVKT	HOT VALVE ASSEMBLY – ¼ TURN – CERAMIC – WITH HANDLE	
3	KL41-Y006	COLD VALVE ASSEMBLY – ¼ TURN – COMPRESSION	
	KL41-Y006-CCV	COLD VALVE ASSEMBLY – ¼ TURN – CERAMIC	
	KL41-Y006-KT	COLD VALVE ASSEMBLY – ¼ TURN – COMPRESSION – WITH HANDLE	
	KL41-Y006CVKT	COLD VALVE ASSEMBLY – ¼ TURN – CERAMIC – WITH HANDLE	
4	K50-0110	LEVER HANDLE REPLACEMENT KIT W/SCREW	
	K50-0001	WRIST BLADE HANDLES, PAIR, 4"	
	K50-0001-6	WRIST BLADE HANDLES, PAIR, 6"	
5	KL50-X122	SWIVEL TO RIGID ADAPTER*	
6	KN50-X120	AERATOR 55/64 STREAM FEMALE 2.2 GPM	
	KN50-X201	AERATOR 55/64 STREAM FEMALE 2.2 GPM VANDAL RESISTANT	
	KN50-X120-F	AERATOR 55/64 STREAM FEMALE 1.5 GPM ANTI-MICROBIAL	
	KN50-X201-F	AERATOR 55/64 LAMINAR FEMALE 1.5 GPM VANDAL RESISTANT ANTI-MICROBIAL	
	KN50-X120-A	AERATOR 55/64 STREAM FEMALE .5 GPM	
	KN50-X235-F	AERATOR 55/64 PC SPRAY FEMALE .35 GPM	
	KN50-X335-F	AERATOR 55/64 PC SPRAY .35 GPM FEMALE VANDAL RESISTANT	
	KN50-X201-A	AERATOR 55/64 PC SPRAY FEMALE .5 GPM VANDAL RESISTANT	
	KN50-X120-M	AERATOR 55/64 PC SPRAY FEMALE 1.0 GPM	
	KN50-X120S-06	AERATOR 55/64 ROSE SPRAY FEMALE 6.0 GPM	
	KN50-X203-F	AERATOR 15/16 LAMINAR FEMALE 1.5 GPM VANDAL RESISTANT ANTI-MICROBIAL	
	KN50-X203-A	AERATOR 15/16 PC SPRAY FEMALE .5 GPM VANDAL RESISTANT	
	KN50-X203	AERATOR 15/16 STREAM FEMALE 2.2 GPM VANDAL RESISTANT	
	KN50-X121	AERATOR 15/16 STREAM FEMALE 2.2 GPM	
	KN50-X121-A	AERATOR 15/16 PC SPRAY FEMALE .5 GPM	
	KN50-X121-F	AERATOR 15/16 LAMINAR FEMALE 1.5 ANTI-MICROBIAL	
	KN50-X305-A	AERATOR 13/16-27 PC SPRAY FEMALE .5GPM VANDAL RESISTANT	
	7	KL50-X132	STREAM REGULATOR SCREEN
	8	KS11-12-X000	GOOSENECK SPOUT, 3" ADJUSTABLE
		KS11-12-X002	GOOSENECK SPOUT, 6" ADJUSTABLE
KS11-12-X001		GOOSENECK SPOUT, 8" ADJUSTABLE	
KS11-12-X100		GOOSENECK SPOUT, 3" RIGID	
KS11-12-X102		GOOSENECK SPOUT, 6" RIGID	
KS11-12-X101		GOOSENECK SPOUT, 8" RIGID	

*FOR USE WITH RIGID SPOUT



DECK MOUNT FAUCETS – 4" O.C. – SWING SPOUT KN41-4000 • KL41-4000 SERIES



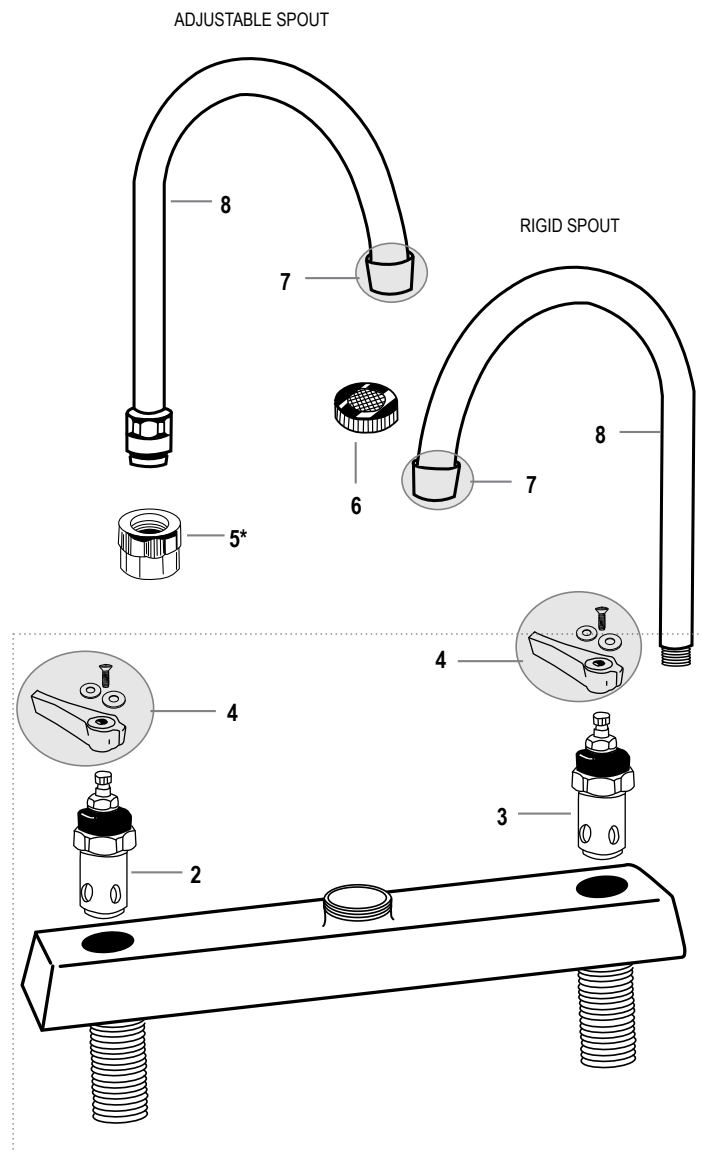
1	KL41-Y002-XZ	FAUCET BODY ASSEMBLY
2	KL41-Y007	HOT VALVE ASSEMBLY – ¼ TURN – COMPRESSION
	KL41-Y007-CCV	HOT VALVE ASSEMBLY – ¼ TURN – CERAMIC
	KL41-Y007-KT	HOT VALVE ASSEMBLY – ¼ TURN – COMPRESSION – WITH HANDLE
	KL41-Y007CVKT	HOT VALVE ASSEMBLY – ¼ TURN – CERAMIC – WITH HANDLE
3	KL41-Y006	COLD VALVE ASSEMBLY – ¼ TURN – COMPRESSION
	KL41-Y006-CCV	COLD VALVE ASSEMBLY – ¼ TURN – CERAMIC
	KL41-Y006-KT	COLD VALVE ASSEMBLY – ¼ TURN – COMPRESSION – WITH HANDLE
	KL41-Y006CVKT	COLD VALVE ASSEMBLY – ¼ TURN – CERAMIC – WITH HANDLE
4	K50-0110	LEVER HANDLE REPLACEMENT KIT W/SCREW
	K50-0001	WRIST BLADE HANDLES, PAIR, 4"
	K50-0001-6	WRIST BLADE HANDLES, PAIR, 6"
5	KL50-X132	STREAM REGULATOR SCREEN
6	KN50-X120	AERATOR 55/64 STREAM FEMALE 2.2 GPM
	KN50-X201	AERATOR 55/64 STREAM FEMALE 2.2 GPM VANDAL RESISTANT
	KN50-X120-F	AERATOR 55/64 STREAM FEMALE 1.5 GPM ANTI-MICROBIAL
	KN50-X201-F	AERATOR 55/64 LAMINAR FEMALE 1.5 GPM VANDAL RESISTANT ANTI-MICROBIAL
	KN50-X120-A	AERATOR 55/64 STREAM FEMALE .5 GPM
	KN50-X235-F	AERATOR 55/64 PC SPRAY FEMALE .35 GPM
	KN50-X335-F	AERATOR 55/64 PC SPRAY .35 GPM FEMALE VANDAL RESISTANT
	KN50-X201-A	AERATOR 55/64 PC SPRAY FEMALE .5 GPM VANDAL RESISTANT
	KN50-X120-M	AERATOR 55/64 PC SPRAY FEMALE 1.0 GPM
	KN50-X120S-06	AERATOR 55/64 ROSE SPRAY FEMALE 6.0 GPM
	KN50-X203-F	AERATOR 15/16 LAMINAR FEMALE 1.5 GPM VANDAL RESISTANT ANTI-MICROBIAL
	KN50-X203-A	AERATOR 15/16 PC SPRAY FEMALE .5 GPM VANDAL RESISTANT
	KN50-X203	AERATOR 15/16 STREAM FEMALE 2.2 GPM VANDAL RESISTANT
	KN50-X121	AERATOR 15/16 STREAM FEMALE 2.2 GPM
	KN50-X121-A	AERATOR 15/16 PC SPRAY FEMALE .5 GPM
	KN50-X121-F	AERATOR 15/16 LAMINAR FEMALE 1.5 ANTI-MICROBIAL
KN50-X305-A	AERATOR 13/16-27 PC SPRAY FEMALE .5GPM VANDAL RESISTANT	
7	KS11-12-X006	TUBULAR SWING SPOUT, S/S, 6"
	KS11-12-X008	TUBULAR SWING SPOUT, S/S, 8"
	KS11-12-X010	TUBULAR SWING SPOUT, S/S, 10"
	KS11-12-X012	TUBULAR SWING SPOUT, S/S, 12"
	KS11-12-X112	TUBULAR SWING SPOUT, S/S, 12" (FOR JOINTED APPLICATIONS ONLY)
	KS11-12-X014	TUBULAR SWING SPOUT, S/S, 14"
	KS11-12-X016	TUBULAR SWING SPOUT, S/S, 16"
	KS11-12-X18A	TUBULAR SWING SPOUT, S/S, 18"

DECK MOUNT FAUCETS – 8” O.C. – GOOSENECK SPOUT

KN41-8000 • KL41-8000 SERIES

1	KL41-Y003	FAUCET BODY ASSEMBLY
2	KL41-Y007	HOT VALVE ASSEMBLY – ¼ TURN – COMPRESSION
	KL41-Y007-CCV	HOT VALVE ASSEMBLY – ¼ TURN – CERAMIC
	KL41-Y007-KT	HOT VALVE ASSEMBLY – ¼ TURN – COMPRESSION – WITH HANDLE
	KL41-Y007-CVKT	HOT VALVE ASSEMBLY – ¼ TURN – CERAMIC – WITH HANDLE
3	KL41-Y006	COLD VALVE ASSEMBLY – ¼ TURN – COMPRESSION
	KL41-Y006-CCV	COLD VALVE ASSEMBLY – ¼ TURN – CERAMIC
	KL41-Y006-KT	COLD VALVE ASSEMBLY – ¼ TURN – COMPRESSION – WITH HANDLE
	KL41-Y006-CVKT	COLD VALVE ASSEMBLY – ¼ TURN – CERAMIC – WITH HANDLE
4	K50-0110	LEVER HANDLE REPLACEMENT KIT W/SCREW
	K50-0001	WRIST BLADE HANDLES, PAIR, 4"
	K50-0001-6	WRIST BLADE HANDLES, PAIR, 6"
5	KL50-X122	SWIVEL TO RIGID ADAPTER*
6	KL50-X132	STREAM REGULATOR SCREEN
7	KN50-X120	AERATOR 55/64 STREAM FEMALE 2.2 GPM
	KN50-X201	AERATOR 55/64 STREAM FEMALE 2.2 GPM VANDAL RESISTANT
	KN50-X120-F	AERATOR 55/64 STREAM FEMALE 1.5 GPM ANTI-MICROBIAL
	KN50-X201-F	AERATOR 55/64 LAMINAR FEMALE 1.5 GPM VANDAL RESISTANT ANTI-MICROBIAL
	KN50-X120-A	AERATOR 55/64 STREAM FEMALE .5 GPM
	KN50-X235-F	AERATOR 55/64 PC SPRAY FEMALE .35 GPM
	KN50-X335-F	AERATOR 55/64 PC SPRAY .35 GPM FEMALE VANDAL RESISTANT
	KN50-X201-A	AERATOR 55/64 PC SPRAY FEMALE .5 GPM VANDAL RESISTANT
	KN50-X120-M	AERATOR 55/64 PC SPRAY FEMALE 1.0 GPM
	KN50-X120S-06	AERATOR 55/64 ROSE SPRAY FEMALE 6.0 GPM
	KN50-X203-F	AERATOR 15/16 LAMINAR FEMALE 1.5 GPM VANDAL RESISTANT ANTI-MICROBIAL
	KN50-X203-A	AERATOR 15/16 PC SPRAY FEMALE .5 GPM VANDAL RESISTANT
	KN50-X203	AERATOR 15/16 STREAM FEMALE 2.2 GPM VANDAL RESISTANT
	KN50-X121	AERATOR 15/16 STREAM FEMALE 2.2 GPM
	KN50-X121-A	AERATOR 15/16 PC SPRAY FEMALE .5 GPM
	KN50-X121-F	AERATOR 15/16 LAMINAR FEMALE 1.5 ANTI-MICROBIAL
	KN50-X305-A	AERATOR 13/16-27 PC SPRAY FEMALE .5GPM VANDAL RESISTANT
	8	KS11-12-X000
KS11-12-X002		GOOSENECK SPOUT, 6" ADJUSTABLE
KS11-12-X001		GOOSENECK SPOUT, 8" ADJUSTABLE
KS11-12-X100		GOOSENECK SPOUT, 3" RIGID
KS11-12-X102		GOOSENECK SPOUT, 6" RIGID
KS11-12-X101		GOOSENECK SPOUT, 8" RIGID

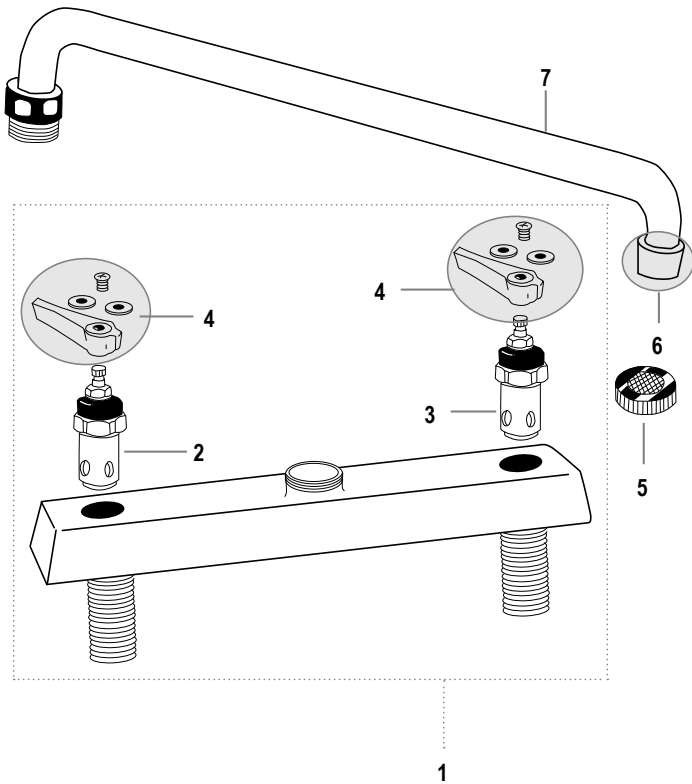
*FOR USE WITH RIGID SPOUT



1

SPLASH MOUNT FAUCETS – 8" O.C. – SWING SPOUT

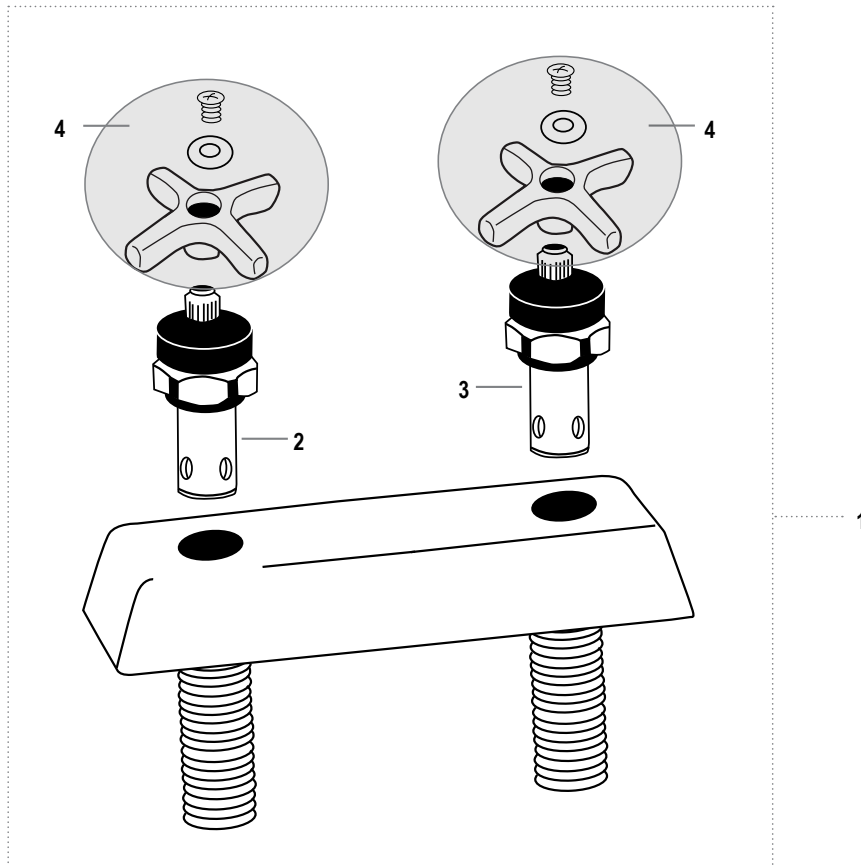
KN41-8000 • KL41-8000 SERIES



1	KL41-Y003	FAUCET BODY ASSEMBLY
2	KL41-Y007	HOT VALVE ASSEMBLY – ¼ TURN – COMPRESSION
	KL41-Y007-CCV	HOT VALVE ASSEMBLY – ¼ TURN – CERAMIC
	KL41-Y007-KT	HOT VALVE ASSEMBLY – ¼ TURN – COMPRESSION – WITH HANDLE
	KL41-Y007CVKT	HOT VALVE ASSEMBLY – ¼ TURN – CERAMIC – WITH HANDLE
3	KL41-Y006	COLD VALVE ASSEMBLY – ¼ TURN – COMPRESSION
	KL41-Y006-CCV	COLD VALVE ASSEMBLY – ¼ TURN – CERAMIC
	KL41-Y006-KT	COLD VALVE ASSEMBLY – ¼ TURN – COMPRESSION – WITH HANDLE
	KL41-Y006CVKT	COLD VALVE ASSEMBLY – ¼ TURN – CERAMIC – WITH HANDLE
4	K50-0110	LEVER HANDLE REPLACEMENT KIT W/SCREW
	K50-0001	WRIST BLADE HANDLES, PAIR, 4"
	K50-0001-6	WRIST BLADE HANDLES, PAIR, 6"
5	KL50-X132	STREAM REGULATOR SCREEN
6	KN50-X120	AERATOR 55/64 STREAM FEMALE 2.2 GPM
	KN50-X201	AERATOR 55/64 STREAM FEMALE 2.2 GPM VANDAL RESISTANT
	KN50-X120-F	AERATOR 55/64 STREAM FEMALE 1.5 GPM ANTI-MICROBIAL
	KN50-X201-F	AERATOR 55/64 LAMINAR FEMALE 1.5 GPM VANDAL RESISTANT ANTI-MICROBIAL
	KN50-X120-A	AERATOR 55/64 STREAM FEMALE .5 GPM
	KN50-X235-F	AERATOR 55/64 PC SPRAY FEMALE .35 GPM
	KN50-X335-F	AERATOR 55/64 PC SPRAY .35 GPM FEMALE VANDAL RESISTANT
	KN50-X201-A	AERATOR 55/64 PC SPRAY FEMALE .5 GPM VANDAL RESISTANT
	KN50-X120-M	AERATOR 55/64 PC SPRAY FEMALE 1.0 GPM
	KN50-X120S-06	AERATOR 55/64 ROSE SPRAY FEMALE 6.0 GPM
	KN50-X203-F	AERATOR 15/16 LAMINAR FEMALE 1.5 GPM VANDAL RESISTANT ANTI-MICROBIAL
	KN50-X203-A	AERATOR 15/16 PC SPRAY FEMALE .5 GPM VANDAL RESISTANT
	KN50-X203	AERATOR 15/16 STREAM FEMALE 2.2 GPM VANDAL RESISTANT
	KN50-X121	AERATOR 15/16 STREAM FEMALE 2.2 GPM
	KN50-X121-A	AERATOR 15/16 PC SPRAY FEMALE .5 GPM
	KN50-X121-F	AERATOR 15/16 LAMINAR FEMALE 1.5 ANTI-MICROBIAL
KN50-X305-A	AERATOR 13/16-27 PC SPRAY FEMALE .5GPM VANDAL RESISTANT	
7	KS11-12-X006	TUBULAR SWING SPOUT, S/S, 6"
	KS11-12-X008	TUBULAR SWING SPOUT, S/S, 8"
	KS11-12-X010	TUBULAR SWING SPOUT, S/S, 10"
	KS11-12-X012	TUBULAR SWING SPOUT, S/S, 12"
	KS11-12-X014	TUBULAR SWING SPOUT, S/S, 14"
	KS11-12-X016	TUBULAR SWING SPOUT, S/S, 16"
	KS11-12-X018A	TUBULAR SWING SPOUT, S/S, 18"

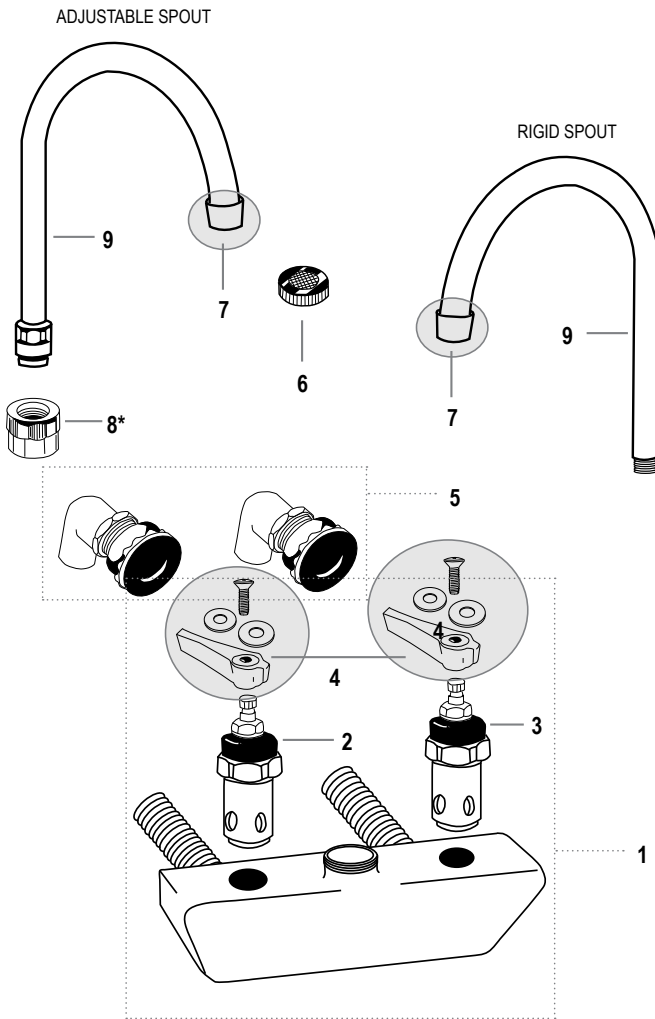
DECK MOUNT MIXING VALVE – 4” O.C. KN43-4050

1	KN43-4050	FAUCET BODY ASSEMBLY
2	KL41-Y007	HOT VALVE ASSEMBLY – ¼ TURN – COMPRESSION
	KL41-Y007-CCV	HOT VALVE ASSEMBLY – ¼ TURN – CERAMIC
3	KL41-Y006	COLD VALVE ASSEMBLY – ¼ TURN – COMPRESSION
	KL41-Y006-CCV	COLD VALVE ASSEMBLY – ¼ TURN – CERAMIC
4	K50-0111	CROSS HANDLE REPLACEMENT KIT



SPLASH MOUNT FAUCETS – 4" O.C. – GOOSENECK SPOUT

KN45-4000 • KL45-4000 SERIES



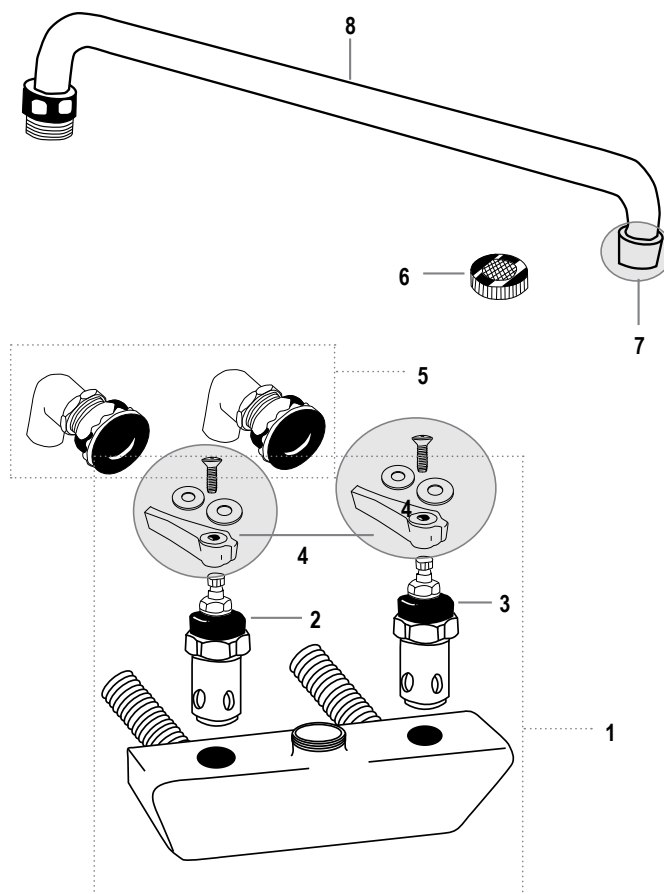
1	KL45-Y002-XZ	FAUCET BODY ASSEMBLY
2	KL41-Y007	HOT VALVE ASSEMBLY – ¼ TURN – COMPRESSION
	KL41-Y007-CCV	HOT VALVE ASSEMBLY – ¼ TURN – CERAMIC
	KL41-Y007-KT	HOT VALVE ASSEMBLY – ¼ TURN – COMPRESSION – WITH HANDLE
	KL41-Y007CVKT	HOT VALVE ASSEMBLY – ¼ TURN – CERAMIC – WITH HANDLE
3	KL41-Y006	COLD VALVE ASSEMBLY – ¼ TURN – COMPRESSION
	KL41-Y006-CCV	COLD VALVE ASSEMBLY – ¼ TURN – CERAMIC
	KL41-Y006-KT	COLD VALVE ASSEMBLY – ¼ TURN – COMPRESSION – WITH HANDLE
	KL41-Y006CVKT	COLD VALVE ASSEMBLY – ¼ TURN – CERAMIC – WITH HANDLE
4	K50-0110	LEVER HANDLE REPLACEMENT KIT W/SCREW
	K50-0001	WRIST BLADE HANDLES, PAIR, 4"
5	K50-0001-6	WRIST BLADE HANDLES, PAIR, 6"
	KL40-1000	MOUNTING KIT
6	KL40-2020	MOUNTING KIT, CLOSE ELBOWS
	KL50-X132	STREAM REGULATOR SCREEN
7	KN50-X120	AERATOR 55/64 STREAM FEMALE 2.2 GPM
	KN50-X201	AERATOR 55/64 STREAM FEMALE 2.2 GPM VANDAL RESISTANT
	KN50-X120-F	AERATOR 55/64 STREAM FEMALE 1.5 GPM ANTI-MICROBIAL
	KN50-X201-F	AERATOR 55/64 LAMINAR FEMALE 1.5 GPM VANDAL RESISTANT ANTI-MICROBIAL
	KN50-X120-A	AERATOR 55/64 STREAM FEMALE .5 GPM
	KN50-X235-F	AERATOR 55/64 PC SPRAY FEMALE .35 GPM
	KN50-X335-F	AERATOR 55/64 PC SPRAY .35 GPM FEMALE VANDAL RESISTANT
	KN50-X201-A	AERATOR 55/64 PC SPRAY FEMALE .5 GPM VANDAL RESISTANT
	KN50-X120-M	AERATOR 55/64 PC SPRAY FEMALE 1.0 GPM
	KN50-X120S-06	AERATOR 55/64 ROSE SPRAY FEMALE 6.0 GPM
	KN50-X203-F	AERATOR 15/16 LAMINAR FEMALE 1.5 GPM VANDAL RESISTANT ANTI-MICROBIAL
	KN50-X203-A	AERATOR 15/16 PC SPRAY FEMALE .5 GPM VANDAL RESISTANT
	KN50-X203	AERATOR 15/16 STREAM FEMALE 2.2 GPM VANDAL RESISTANT
	KN50-X121	AERATOR 15/16 STREAM FEMALE 2.2 GPM
	KN50-X121-A	AERATOR 15/16 PC SPRAY FEMALE .5 GPM
	KN50-X121-F	AERATOR 15/16 LAMINAR FEMALE 1.5 ANTI-MICROBIAL
KN50-X305-A	AERATOR 13/16-27 PC SPRAY FEMALE .5GPM VANDAL RESISTANT	
8	KL50-X122	SWIVEL TO RIGID ADAPTER*
9	KS11-12-X000	GOOSENECK SPOUT, 3" ADJUSTABLE
	KS11-12-X002	GOOSENECK SPOUT, 6" ADJUSTABLE
	KS11-12-X001	GOOSENECK SPOUT, 8" ADJUSTABLE
	KS11-12-X100	GOOSENECK SPOUT, 3" RIGID
	KS11-12-X102	GOOSENECK SPOUT, 6" RIGID
	KS11-12-X101	GOOSENECK SPOUT, 8" RIGID

*FOR USE WITH RIGID SPOUT

SPLASH MOUNT FAUCETS – 4" O.C. – TUBULAR SWING SPOUT

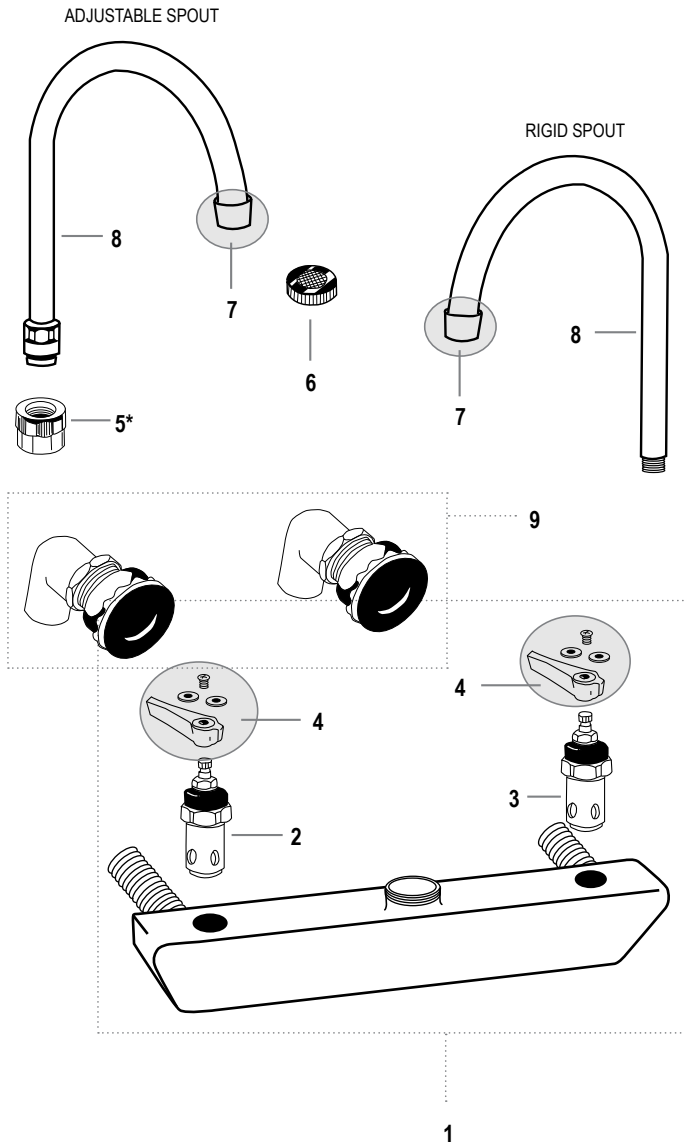
KN45-4000 • KL45-4000 SERIES

1	KL45-Y002-XZ	FAUCET BODY ASSEMBLY	
2	KL41-Y007	HOT VALVE ASSEMBLY – ¼ TURN – COMPRESSION	
	KL41-Y007-CCV	HOT VALVE ASSEMBLY – ¼ TURN – CERAMIC	
	KL41-Y007-KT	HOT VALVE ASSEMBLY – ¼ TURN – COMPRESSION – WITH HANDLE	
	KL41-Y007CVKT	HOT VALVE ASSEMBLY – ¼ TURN – CERAMIC – WITH HANDLE	
3	KL41-Y006	COLD VALVE ASSEMBLY – ¼ TURN – COMPRESSION	
	KL41-Y006-CCV	COLD VALVE ASSEMBLY – ¼ TURN – CERAMIC	
	KL41-Y006-KT	COLD VALVE ASSEMBLY – ¼ TURN – COMPRESSION – WITH HANDLE	
	KL41-Y006CVKT	COLD VALVE ASSEMBLY – ¼ TURN – CERAMIC – WITH HANDLE	
4	K50-0110	LEVER HANDLE REPLACEMENT KIT W/SCREW	
	K50-0001	WRIST BLADE HANDLES, PAIR, 4"	
	K50-0001-6	WRIST BLADE HANDLES, PAIR, 6"	
5	KL40-1000	MOUNTING KIT	
	KL40-2020	MOUNTING KIT, CLOSE ELBOWS	
6	KL50-X132	STREAM REGULATOR SCREEN	
7	KN50-X120	AERATOR 55/64 STREAM FEMALE 2.2 GPM	
	KN50-X201	AERATOR 55/64 STREAM FEMALE 2.2 GPM VANDAL RESISTANT	
	KN50-X120-F	AERATOR 55/64 STREAM FEMALE 1.5 GPM ANTI-MICROBIAL	
	KN50-X201-F	AERATOR 55/64 LAMINAR FEMALE 1.5 GPM VANDAL RESISTANT ANTI-MICROBIAL	
	KN50-X120-A	AERATOR 55/64 STREAM FEMALE .5 GPM	
	KN50-X235-F	AERATOR 55/64 PC SPRAY FEMALE .35 GPM	
	KN50-X335-F	AERATOR 55/64 PC SPRAY .35 GPM FEMALE VANDAL RESISTANT	
	KN50-X201-A	AERATOR 55/64 PC SPRAY FEMALE .5 GPM VANDAL RESISTANT	
	KN50-X120-M	AERATOR 55/64 PC SPRAY FEMALE 1.0 GPM	
	KN50-X120S-06	AERATOR 55/64 ROSE SPRAY FEMALE 6.0 GPM	
	KN50-X203-F	AERATOR 15/16 LAMINAR FEMALE 1.5 GPM VANDAL RESISTANT ANTI-MICROBIAL	
	KN50-X203-A	AERATOR 15/16 PC SPRAY FEMALE .5 GPM VANDAL RESISTANT	
	KN50-X203	AERATOR 15/16 STREAM FEMALE 2.2 GPM VANDAL RESISTANT	
	KN50-X121	AERATOR 15/16 STREAM FEMALE 2.2 GPM	
	KN50-X121-A	AERATOR 15/16 PC SPRAY FEMALE .5 GPM	
	KN50-X121-F	AERATOR 15/16 LAMINAR FEMALE 1.5 ANTI-MICROBIAL	
	KN50-X305-A	AERATOR 13/16-27 PC SPRAY FEMALE .5GPM VANDAL RESISTANT	
	8	KS11-12-X006	TUBULAR SWING SPOUT, S/S, 6"
		KS11-12-X008	TUBULAR SWING SPOUT, S/S, 8"
		KS11-12-X010	TUBULAR SWING SPOUT, S/S, 10"
KS11-12-X012		TUBULAR SWING SPOUT, S/S, 12"	
KS11-12-X014		TUBULAR SWING SPOUT, S/S, 14"	
KS11-12-X016		TUBULAR SWING SPOUT, S/S, 16"	
KS11-12-X018A		TUBULAR SWING SPOUT, S/S, 18"	



SPLASH MOUNT FAUCETS – 8” O.C. – GOOSENECK SPOUT

KN45-8000 • KL45-8000 SERIES



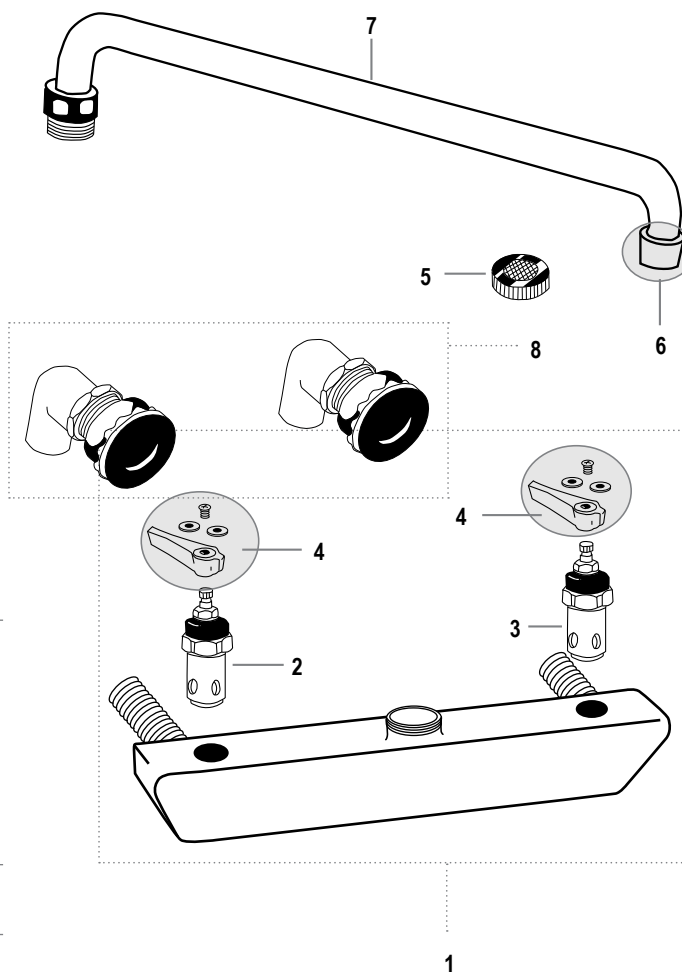
1	KL45-Y003	FAUCET BODY ASSEMBLY
2	KL41-Y007	HOT VALVE ASSEMBLY – ¼ TURN – COMPRESSION
	KL41-Y007-CCV	HOT VALVE ASSEMBLY – ¼ TURN – CERAMIC
	KL41-Y007-KT	HOT VALVE ASSEMBLY – ¼ TURN – COMPRESSION – WITH HANDLE
	KL41-Y007CVKT	HOT VALVE ASSEMBLY – ¼ TURN – CERAMIC – WITH HANDLE
3	KL41-Y006	COLD VALVE ASSEMBLY – ¼ TURN – COMPRESSION
	KL41-Y006-CCV	COLD VALVE ASSEMBLY – ¼ TURN – CERAMIC
	KL41-Y006-KT	COLD VALVE ASSEMBLY – ¼ TURN – COMPRESSION – WITH HANDLE
	KL41-Y006CVKT	COLD VALVE ASSEMBLY – ¼ TURN – CERAMIC – WITH HANDLE
4	K50-0110	LEVER HANDLE REPLACEMENT KIT W/SCREW
	K50-0001	WRIST BLADE HANDLES, PAIR, 4"
	K50-0001-6	WRIST BLADE HANDLES, PAIR, 6"
5	KL50-X122	SWIVEL TO RIGID ADAPTER*
6	KL50-X132	STREAM REGULATOR SCREEN
7	KN50-X120	AERATOR 55/64 STREAM FEMALE 2.2 GPM
	KN50-X201	AERATOR 55/64 STREAM FEMALE 2.2 GPM VANDAL RESISTANT
	KN50-X120-F	AERATOR 55/64 STREAM FEMALE 1.5 GPM ANTI-MICROBIAL
	KN50-X201-F	AERATOR 55/64 LAMINAR FEMALE 1.5 GPM VANDAL RESISTANT ANTI-MICROBIAL
	KN50-X120-A	AERATOR 55/64 STREAM FEMALE .5 GPM
	KN50-X235-F	AERATOR 55/64 PC SPRAY FEMALE .35 GPM
	KN50-X335-F	AERATOR 55/64 PC SPRAY .35 GPM FEMALE VANDAL RESISTANT
	KN50-X201-A	AERATOR 55/64 PC SPRAY FEMALE .5 GPM VANDAL RESISTANT
	KN50-X120-M	AERATOR 55/64 PC SPRAY FEMALE 1.0 GPM
	KN50-X120S-06	AERATOR 55/64 ROSE SPRAY FEMALE 6.0 GPM
	KN50-X203-F	AERATOR 15/16 LAMINAR FEMALE 1.5 GPM VANDAL RESISTANT ANTI-MICROBIAL
	KN50-X203-A	AERATOR 15/16 PC SPRAY FEMALE .5 GPM VANDAL RESISTANT
	KN50-X203	AERATOR 15/16 STREAM FEMALE 2.2 GPM VANDAL RESISTANT
	KN50-X121	AERATOR 15/16 STREAM FEMALE 2.2 GPM
	KN50-X121-A	AERATOR 15/16 PC SPRAY FEMALE .5 GPM
	KN50-X121-F	AERATOR 15/16 LAMINAR FEMALE 1.5 ANTI-MICROBIAL
KN50-X305-A	AERATOR 13/16-27 PC SPRAY FEMALE .5GPM VANDAL RESISTANT	
8	KS11-12-X000	GOOSENECK SPOUT, 3" ADJUSTABLE
	KS11-12-X002	GOOSENECK SPOUT, 6" ADJUSTABLE
	KS11-12-X001	GOOSENECK SPOUT, 8" ADJUSTABLE
	KS11-12-X100	GOOSENECK SPOUT, 3" RIGID
	KS11-12-X102	GOOSENECK SPOUT, 6" RIGID
	KS11-12-X101	GOOSENECK SPOUT, 8" RIGID
9	KL40-1000	MOUNTING KIT
	KL40-2020	MOUNTING KIT, CLOSE ELBOWS

*FOR USE WITH RIGID SPOUT

SPLASH MOUNT FAUCETS – 8” O.C. – TUBULAR SWING SPOUT

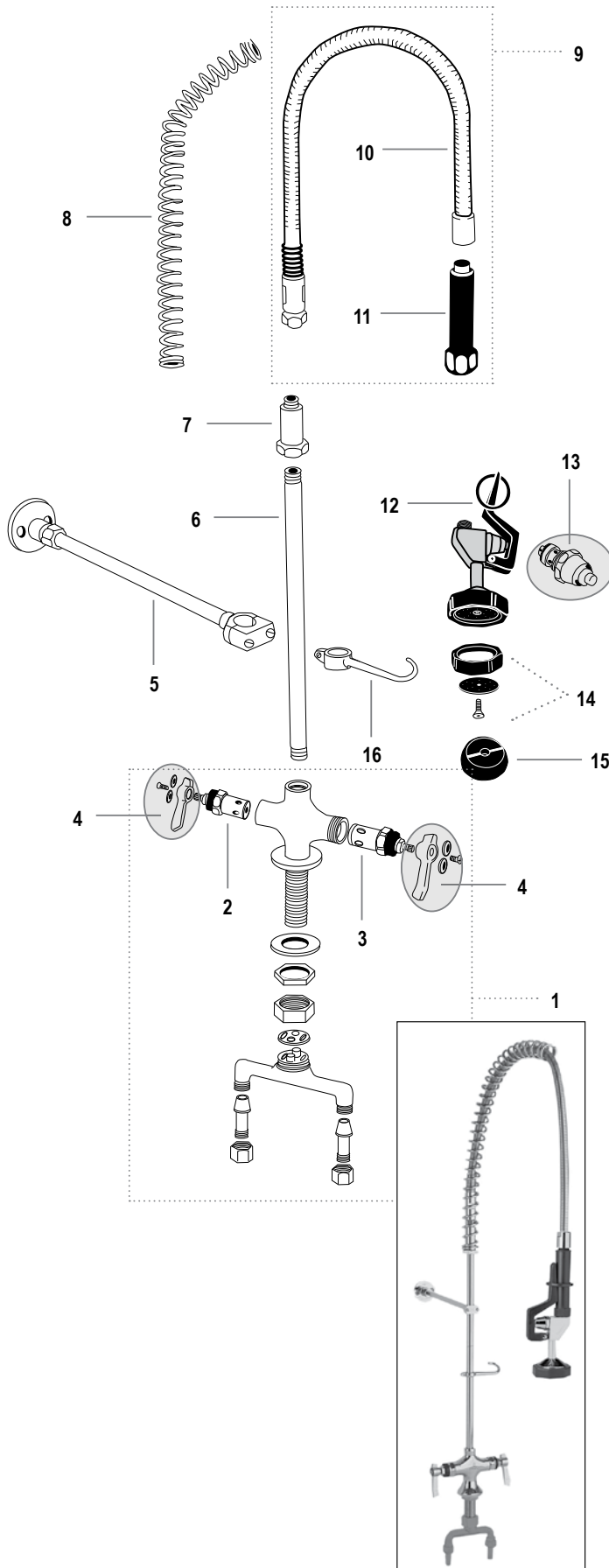
KN45-8000 • KL45-8000 SERIES

1	KL45-Y003	FAUCET BODY ASSEMBLY	
2	KL41-Y007	HOT VALVE ASSEMBLY – ¼ TURN – COMPRESSION	
	KL41-Y007-CCV	HOT VALVE ASSEMBLY – ¼ TURN – CERAMIC	
	KL41-Y007-KT	HOT VALVE ASSEMBLY – ¼ TURN – COMPRESSION – WITH HANDLE	
	KL41-Y007CVKT	HOT VALVE ASSEMBLY – ¼ TURN – CERAMIC – WITH HANDLE	
3	KL41-Y006	COLD VALVE ASSEMBLY – ¼ TURN – COMPRESSION	
	KL41-Y006-CCV	COLD VALVE ASSEMBLY – ¼ TURN – CERAMIC	
	KL41-Y006-KT	COLD VALVE ASSEMBLY – ¼ TURN – COMPRESSION – WITH HANDLE	
	KL41-Y006CVKT	COLD VALVE ASSEMBLY – ¼ TURN – CERAMIC – WITH HANDLE	
4	K50-0110	LEVER HANDLE REPLACEMENT KIT W/SCREW	
	K50-0001	WRIST BLADE HANDLES, PAIR, 4”	
	K50-0001-6	WRIST BLADE HANDLES, PAIR, 6”	
5	KL50-X132	STREAM REGULATOR SCREEN	
6	KN50-X120	AERATOR 55/64 STREAM FEMALE 2.2 GPM	
	KN50-X201	AERATOR 55/64 STREAM FEMALE 2.2 GPM VANDAL RESISTANT	
	KN50-X120-F	AERATOR 55/64 STREAM FEMALE 1.5 GPM ANTI-MICROBIAL	
	KN50-X201-F	AERATOR 55/64 LAMINAR FEMALE 1.5 GPM VANDAL RESISTANT ANTI-MICROBIAL	
	KN50-X120-A	AERATOR 55/64 STREAM FEMALE .5 GPM	
	KN50-X235-F	AERATOR 55/64 PC SPRAY FEMALE .35 GPM	
	KN50-X335-F	AERATOR 55/64 PC SPRAY .35 GPM FEMALE VANDAL RESISTANT	
	KN50-X201-A	AERATOR 55/64 PC SPRAY FEMALE .5 GPM VANDAL RESISTANT	
	KN50-X120-M	AERATOR 55/64 PC SPRAY FEMALE 1.0 GPM	
	KN50-X120S-06	AERATOR 55/64 ROSE SPRAY FEMALE 6.0 GPM	
	KN50-X203-F	AERATOR 15/16 LAMINAR FEMALE 1.5 GPM VANDAL RESISTANT ANTI-MICROBIAL	
	KN50-X203-A	AERATOR 15/16 PC SPRAY FEMALE .5 GPM VANDAL RESISTANT	
	KN50-X203	AERATOR 15/16 STREAM FEMALE 2.2 GPM VANDAL RESISTANT	
	KN50-X121	AERATOR 15/16 STREAM FEMALE 2.2 GPM	
	KN50-X121-A	AERATOR 15/16 PC SPRAY FEMALE .5 GPM	
	KN50-X121-F	AERATOR 15/16 LAMINAR FEMALE 1.5 ANTI-MICROBIAL	
	KN50-X305-A	AERATOR 13/16-27 PC SPRAY FEMALE .5GPM VANDAL RESISTANT	
	7	KS11-12-X006	TUBULAR SWING SPOUT, S/S, 6”
		KS11-12-X008	TUBULAR SWING SPOUT, S/S, 8”
		KS11-12-X010	TUBULAR SWING SPOUT, S/S, 10”
KS11-12-X012		TUBULAR SWING SPOUT, S/S, 12”	
KS11-12-X014		TUBULAR SWING SPOUT, S/S, 14”	
KS11-12-X016		TUBULAR SWING SPOUT, S/S, 16”	
KS11-12-X18A		TUBULAR SWING SPOUT, S/S, 18”	
8	KL40-1000	MOUNTING KIT	
	KL40-2020	MOUNTING KIT, CLOSE ELBOWS	



DECK MOUNT PRE-RINSE UNITS

KN50-1000 • KL50-1000 SERIES



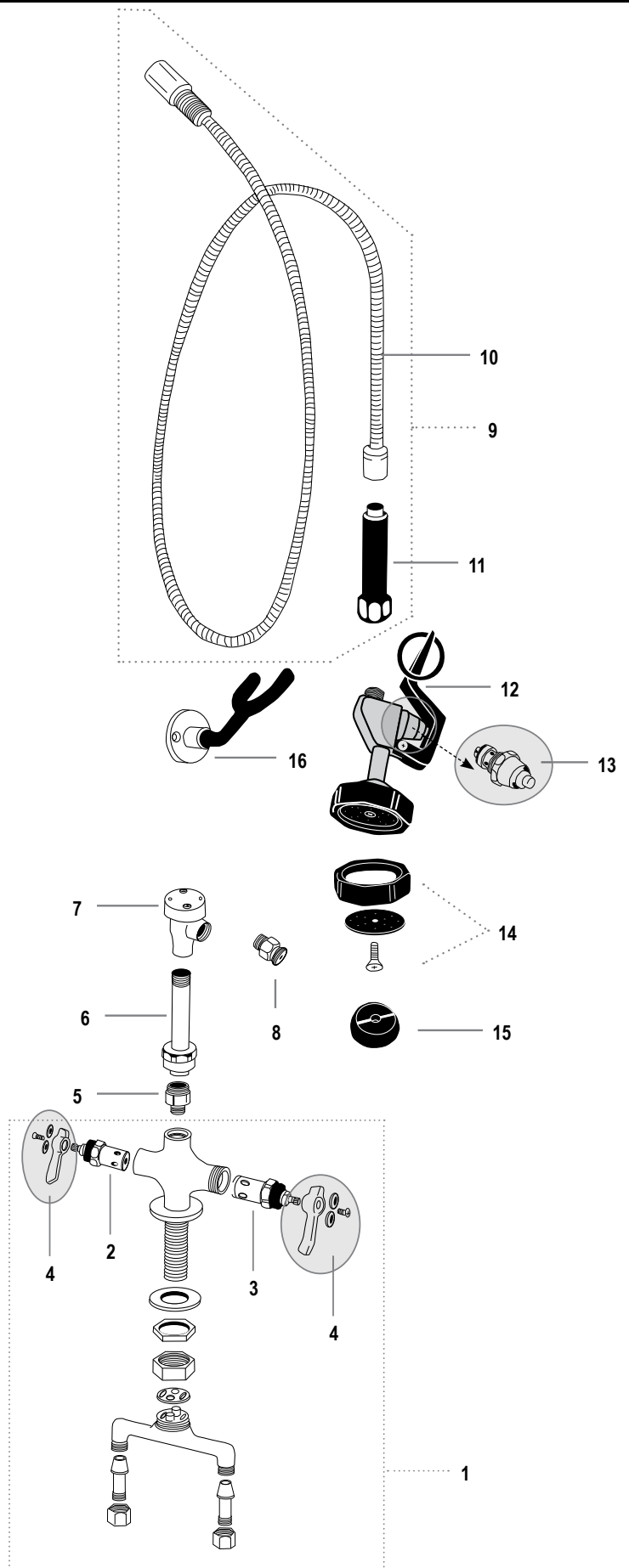
1	KL50-Y001-XZ	FAUCET BODY ASSEMBLY
2	KL50-Y007	HOT VALVE ASSEMBLY – ¼ TURN – COMPRESSION
	KL50-Y007-CCV	HOT VALVE ASSEMBLY – ¼ TURN – CERAMIC
	KL50-Y007-KT	HOT VALVE ASSEMBLY – ¼ TURN – COMPRESSION – WITH HANDLE
	KL50-Y007CVKT	HOT VALVE ASSEMBLY – ¼ TURN – CERAMIC – WITH HANDLE
3	KL50-Y006	COLD VALVE ASSEMBLY – ¼ TURN – COMPRESSION
	KL50-Y006-CCV	COLD VALVE ASSEMBLY – ¼ TURN – CERAMIC
	KL50-Y006-KT	COLD VALVE ASSEMBLY – ¼ TURN – COMPRESSION – WITH HANDLE
	KL50-Y006CVKT	COLD VALVE ASSEMBLY – ¼ TURN – CERAMIC – WITH HANDLE
4	K50-0110	LEVER HANDLE REPLACEMENT KIT W/SCREW
	K50-0001	WRIST BLADE HANDLES, PAIR, 4"
	K50-0001-6	WRIST BLADE HANDLES, PAIR, 6"
5	K50-Y020-Z	WALL BRACKET ASSEMBLY
6	KL50-X077	RISER, 18"
	KL50-X029	RISER, 24"
7	KL50-X032	SPRING RETAINER
8	K50-X033	SPRING
	K50-X178	SPRING, STAINLESS STEEL
9	KL50-Y004-20	HOSE ASSEMBLY WITH GRIP – 20"
	KL50-Y004-26	HOSE ASSEMBLY WITH GRIP – 26"
	KL50-Y004-36	HOSE ASSEMBLY WITH GRIP – 36"
	KL50-Y004-44	HOSE ASSEMBLY WITH GRIP – 44"
	KL50-Y004-60	HOSE ASSEMBLY WITH GRIP – 60"
	KL50-Y004-72	HOSE ASSEMBLY WITH GRIP – 72"
10	KL50-Y010-20Z	HOSE ASSEMBLY ONLY – 20"
	KL50-Y010-26Z	HOSE ASSEMBLY ONLY – 26"
	KL50-Y010-36	HOSE ASSEMBLY ONLY – 36"
	KL50-Y010-44Z	HOSE ASSEMBLY ONLY – 44"
11	KL50-Y010-60Z	HOSE ASSEMBLY ONLY – 60"
	KL50-Y010-72Z	HOSE ASSEMBLY ONLY – 72"
	KL50-Y010-96Z	HOSE ASSEMBLY ONLY – 96"
	KN50-X025-Z	GRIP
12	KL50-Y002-065	PRE-RINSE SPRAY ASSEMBLY – .65 GPM
	KL50-Y00212XZ	PRE-RINSE SPRAY ASSEMBLY – 1.2 GPM
	KL50-Y00216XZ	PRE-RINSE SPRAY ASSEMBLY – 1.6 GPM
13	KL50-Y027	BUTTON VALVE ASSEMBLY
14	KL50-0200-16	SPRAY HEAD REPAIR KIT 1.6 GPM – INCLUDES BUTTON VALVE ASSY
15	KN50-X135	WATER SAVER FACE PLATE – 1.6 GPM
	KN50-X135-12	WATER SAVER FACE PLATE – 1.2 GPM
	KN50-X135-065	WATER SAVER FACE PLATE – .65 GPM
16	K50-Y011	HOOK/SCREW ASSEMBLY

NOTE: FOR ADD-ON FAUCET, REFER TO PAGE _____.

DECK MOUNT UTILITY SPRAY UNITS

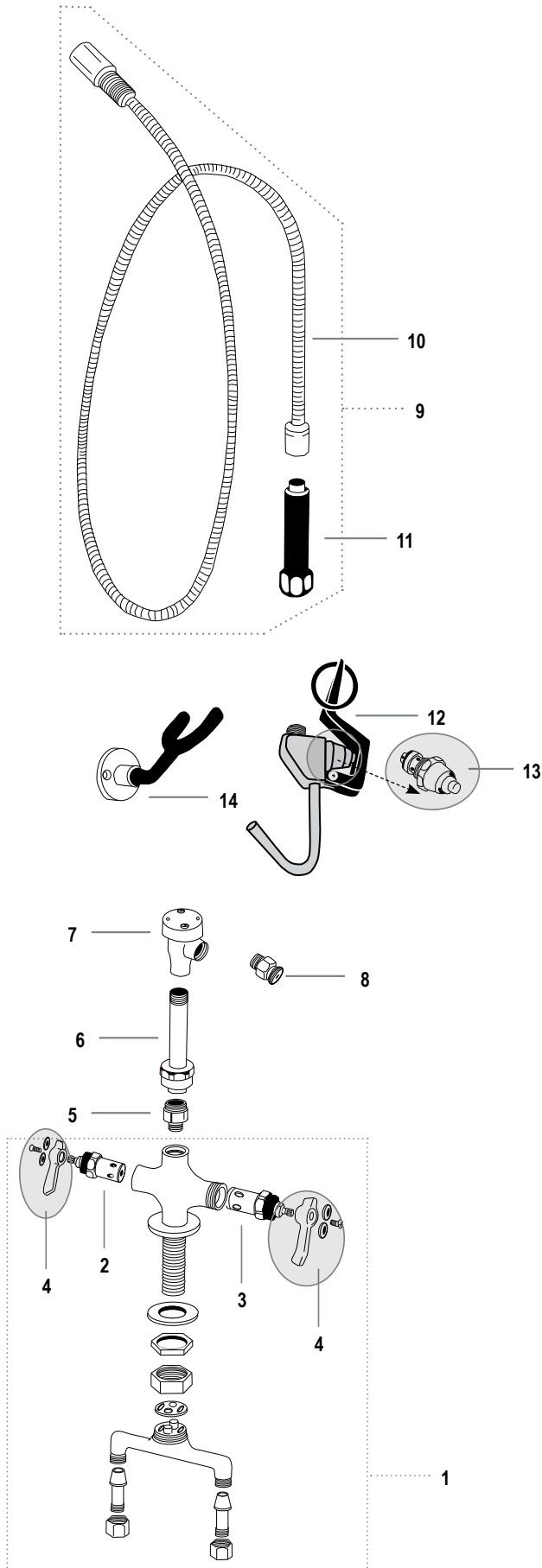
KN50-2000 • KL50-2000 SERIES

1	KL50-Y001-XZ	FAUCET BODY ASSEMBLY
2	KL50-Y007	HOT VALVE ASSEMBLY – ¼ TURN – COMPRESSION
	KL50-Y007-CCV	HOT VALVE ASSEMBLY – ¼ TURN – CERAMIC
	KL50-Y007-KT	HOT VALVE ASSEMBLY – ¼ TURN – COMPRESSION – WITH HANDLE
	KL50-Y007CVKT	HOT VALVE ASSEMBLY – ¼ TURN – CERAMIC – WITH HANDLE
3	KL50-Y006	COLD VALVE ASSEMBLY – ¼ TURN – COMPRESSION
	KL50-Y006-CCV	COLD VALVE ASSEMBLY – ¼ TURN – CERAMIC
	KL50-Y006-KT	COLD VALVE ASSEMBLY – ¼ TURN – COMPRESSION – WITH HANDLE
	KL50-Y006CVKT	COLD VALVE ASSEMBLY – ¼ TURN – CERAMIC – WITH HANDLE
4	K50-0110	LEVER HANDLE REPLACEMENT KIT W/SCREW
	K50-0001	WRIST BLADE HANDLES, PAIR, 4"
	K50-0001-6	WRIST BLADE HANDLES, PAIR, 6"
5	KL50-X075	RIGID TO SWIVEL ADAPTER
6	KL50-Y026	SWING NOZZLE, 180 DEGREE
7	KL50-X137	VACUUM BREAKER, 3/8"
8	KL50-X128	HOSE ADAPTER, 3/8"
9	KL50-Y004-20	HOSE ASSEMBLY WITH GRIP – 20"
	KL50-Y004-26	HOSE ASSEMBLY WITH GRIP – 26"
	KL50-Y004-36	HOSE ASSEMBLY WITH GRIP – 36"
	KL50-Y004-44	HOSE ASSEMBLY WITH GRIP – 44"
	KL50-Y004-60	HOSE ASSEMBLY WITH GRIP – 60"
	KL50-Y004-72	HOSE ASSEMBLY WITH GRIP – 72"
	KL50-Y004-96	HOSE ASSEMBLY WITH GRIP – 96"
10	KL50-Y010-20Z	HOSE ASSEMBLY ONLY – 20"
	KL50-Y010-26Z	HOSE ASSEMBLY ONLY – 26"
	KL50-Y010-36	HOSE ASSEMBLY ONLY – 36"
	KL50-Y010-44Z	HOSE ASSEMBLY ONLY – 44"
	KL50-Y010-60Z	HOSE ASSEMBLY ONLY – 60"
	KL50-Y010-72Z	HOSE ASSEMBLY ONLY – 72"
	KL50-Y010-96Z	HOSE ASSEMBLY ONLY – 96"
11	KN50-X025-Z	GRIP
12	KL50-Y030-Z	ANGLED SPRAY VALVE ASSEMBLY
13	KL50-Y027	BUTTON VALVE ASSEMBLY
14	KL50-0200-16	SPRAY HEAD REPAIR KIT 1.6 GPM – INCLUDES BUTTON VALVE ASSY
	KL50-0200	SPRAY HEAD REPAIR KIT 3.3 GPM – INCLUDES BUTTON VALVE ASSY
15	KN50-X065-B	WATER SAVER FACE PLATE – 3.3 GPM
	KN50-X135	WATER SAVER FACE PLATE – 1.6 GPM
	KN50-X135-12	WATER SAVER FACE PLATE – 1.2 GPM
	KN50-X135-065	WATER SAVER FACE PLATE – .65 GPM
16	K50-Y012-Z	WALL HOOK



DECK MOUNT POT FILLER UNITS

KN50-3000 • KL50-3000 SERIES



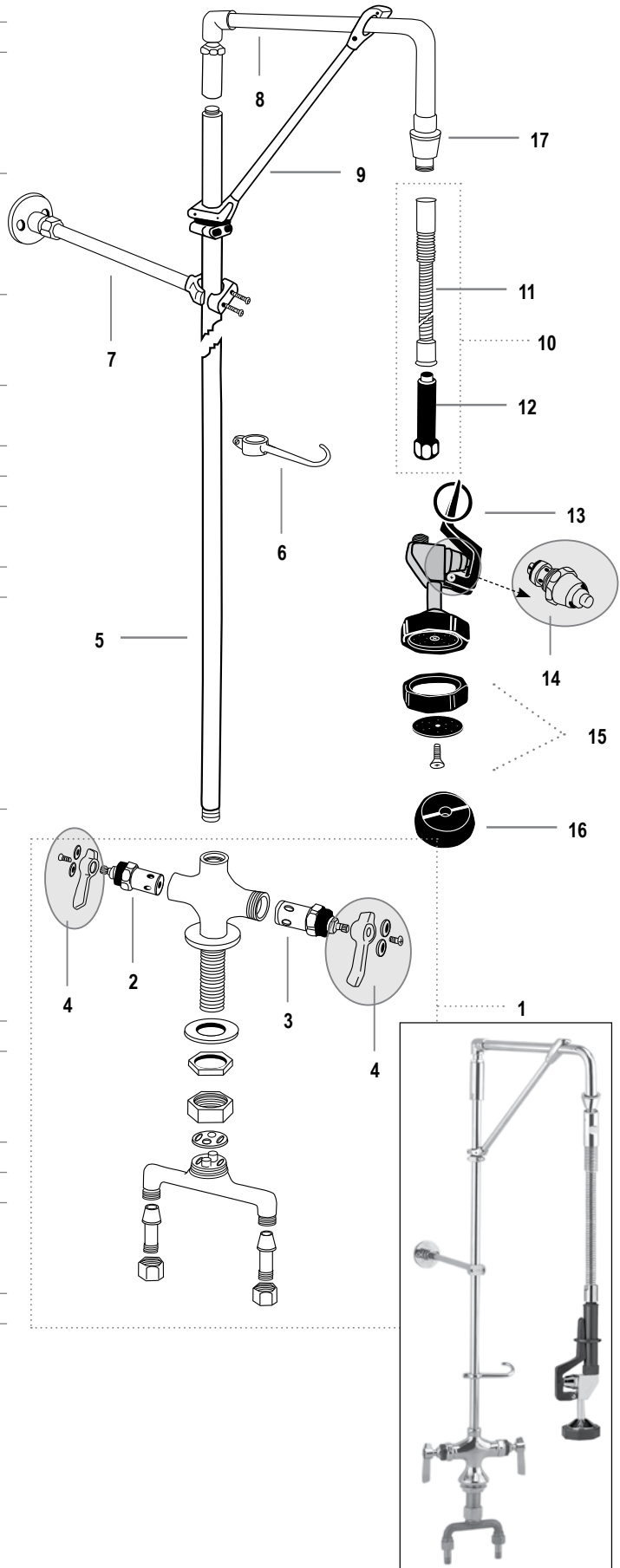
1	KL50-Y001-XZ	FAUCET BODY ASSEMBLY
2	KL50-Y007	HOT VALVE ASSEMBLY – ¼ TURN – COMPRESSION
	KL50-Y007-CCV	HOT VALVE ASSEMBLY – ¼ TURN – CERAMIC
	KL50-Y007-KT	HOT VALVE ASSEMBLY – ¼ TURN – COMPRESSION – WITH HANDLE
	KL50-Y007CVKT	HOT VALVE ASSEMBLY – ¼ TURN – CERAMIC – WITH HANDLE
3	KL50-Y006	COLD VALVE ASSEMBLY – ¼ TURN – COMPRESSION
	KL50-Y006-CCV	COLD VALVE ASSEMBLY – ¼ TURN – CERAMIC
	KL50-Y006-KT	COLD VALVE ASSEMBLY – ¼ TURN – COMPRESSION – WITH HANDLE
	KL50-Y006CVKT	COLD VALVE ASSEMBLY – ¼ TURN – CERAMIC – WITH HANDLE
4	K50-0110	LEVER HANDLE REPLACEMENT KIT W/SCREW
4	K50-0001	WRIST BLADE HANDLES, PAIR, 4"
	K50-0001-6	WRIST BLADE HANDLES, PAIR, 6"
5	KL50-X075	RIGID TO SWIVEL ADAPTER
6	KL50-Y026	SWING NOZZLE, 180 DEGREE
7	KL50-X137	VACUUM BREAKER, 3/8"
8	KL50-X128	HOSE ADAPTER, 3/8"
9	KL50-Y004-20	HOSE ASSEMBLY WITH GRIP – 20"
	KL50-Y004-26	HOSE ASSEMBLY WITH GRIP – 26"
	KL50-Y004-36	HOSE ASSEMBLY WITH GRIP – 36"
	KL50-Y004-44	HOSE ASSEMBLY WITH GRIP – 44"
	KL50-Y004-60	HOSE ASSEMBLY WITH GRIP – 60"
	KL50-Y004-72	HOSE ASSEMBLY WITH GRIP – 72"
10	KL50-Y004-96	HOSE ASSEMBLY WITH GRIP – 96"
	KL50-Y010-20Z	HOSE ASSEMBLY ONLY – 20"
	KL50-Y010-26Z	HOSE ASSEMBLY ONLY – 26"
	KL50-Y010-36Z	HOSE ASSEMBLY ONLY – 36"
	KL50-Y010-44Z	HOSE ASSEMBLY ONLY – 44"
	KL50-Y010-60Z	HOSE ASSEMBLY ONLY – 60"
10	KL50-Y010-72Z	HOSE ASSEMBLY ONLY – 72"
	KL50-Y010-96Z	HOSE ASSEMBLY ONLY – 96"
11	KN50-X025-Z	GRIP
12	KL50-Y031-Z	HOOKEED SPRAY VALVE ASSEMBLY
13	KL50-Y027	BUTTON VALVE ASSEMBLY
14	K50-Y012-Z	WALL HOOK



DECK MOUNT SWIVEL ARM PRE-RINSE UNITS

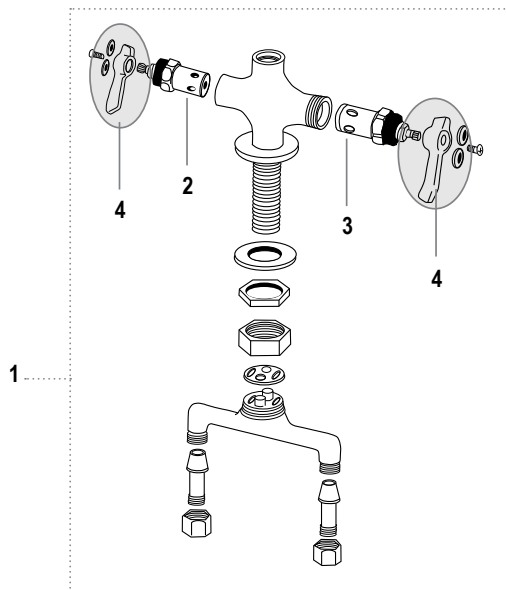
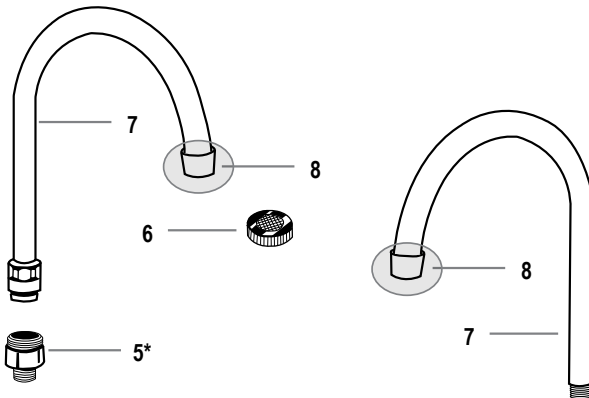
K50-50xx • KL50-50xx SERIES

1	KL50-Y001-XZ	FAUCET BODY ASSEMBLY
2	KL50-Y007	HOT VALVE ASSEMBLY – ¼ TURN – COMPRESSION
	KL50-Y007-CCV	HOT VALVE ASSEMBLY – ¼ TURN – CERAMIC
	KL50-Y007-KT	HOT VALVE ASSEMBLY – ¼ TURN – COMPRESSION – WITH HANDLE
	KL50-Y007CVKT	HOT VALVE ASSEMBLY – ¼ TURN – CERAMIC – WITH HANDLE
3	KL50-Y006	COLD VALVE ASSEMBLY – ¼ TURN – COMPRESSION
	KL50-Y006-CCV	COLD VALVE ASSEMBLY – ¼ TURN – CERAMIC
	KL50-Y006-KT	COLD VALVE ASSEMBLY – ¼ TURN – COMPRESSION – WITH HANDLE
	KL50-Y006CVKT	COLD VALVE ASSEMBLY – ¼ TURN – CERAMIC – WITH HANDLE
4	K50-0110	LEVER HANDLE REPLACEMENT KIT W/SCREW
	K50-0001	WRIST BLADE HANDLES, PAIR, 4"
	K50-0001-6	WRIST BLADE HANDLES, PAIR, 6"
5	KL50-X153-26	RISER, 26"
	KL50-X153-32	RISER, 32"
6	K50-Y011	HOOK/SCREW ASSEMBLY
7	K50-Y020-Z	WALL BRACKET ASSEMBLY
8	KL50-Y050-12	SWIVEL ARM ASSEMBLY, 12"
	KL50-Y050-18	SWIVEL ARM ASSEMBLY, 18"
9	K50-Y500-Z	SWIVEL ARM BRACKET
10	KL50-Y004-20	HOSE ASSEMBLY WITH GRIP – 20"
	KL50-Y004-26	HOSE ASSEMBLY WITH GRIP – 26"
	KL50-Y004-36	HOSE ASSEMBLY WITH GRIP – 36"
	KL50-Y004-44	HOSE ASSEMBLY WITH GRIP – 44"
	KL50-Y004-60	HOSE ASSEMBLY WITH GRIP – 60"
	KL50-Y004-72	HOSE ASSEMBLY WITH GRIP – 72"
11	KL50-Y010-20Z	HOSE ASSEMBLY ONLY – 20"
	KL50-Y010-26Z	HOSE ASSEMBLY ONLY – 26"
	KL50-Y010-36	HOSE ASSEMBLY ONLY – 36"
	KL50-Y010-44Z	HOSE ASSEMBLY ONLY – 44"
	KL50-Y010-60Z	HOSE ASSEMBLY ONLY – 60"
	KL50-Y010-72Z	HOSE ASSEMBLY ONLY – 72"
12	KL50-Y010-96Z	HOSE ASSEMBLY ONLY – 96"
	KN50-X025-Z	GRIP
	KL50-Y002-065	PRE-RINSE SPRAY ASSEMBLY – .65 GPM
	KL50-Y00212XZ	PRE-RINSE SPRAY ASSEMBLY – 1.2 GPM
	KL50-Y00216XZ	PRE-RINSE SPRAY ASSEMBLY – 1.6 GPM
	KL50-Y027	BUTTON VALVE ASSEMBLY
15	KL50-0200-16	SPRAY HEAD REPAIR KIT 1.6 GPM
16	KN50-X135	WATER SAVER FACE PLATE – 1.6 GPM
	KN50-X135-12	WATER SAVER FACE PLATE – 1.2 GPM
	KN50-X135-065	WATER SAVER FACE PLATE – .65 GPM
17	KL50-Y051	SWIVEL JOINT



DECK MOUNT DOUBLE PANTRY FAUCETS – GOOSENECK SPOUTS

KN51-9000 • KL51-9000 SERIES



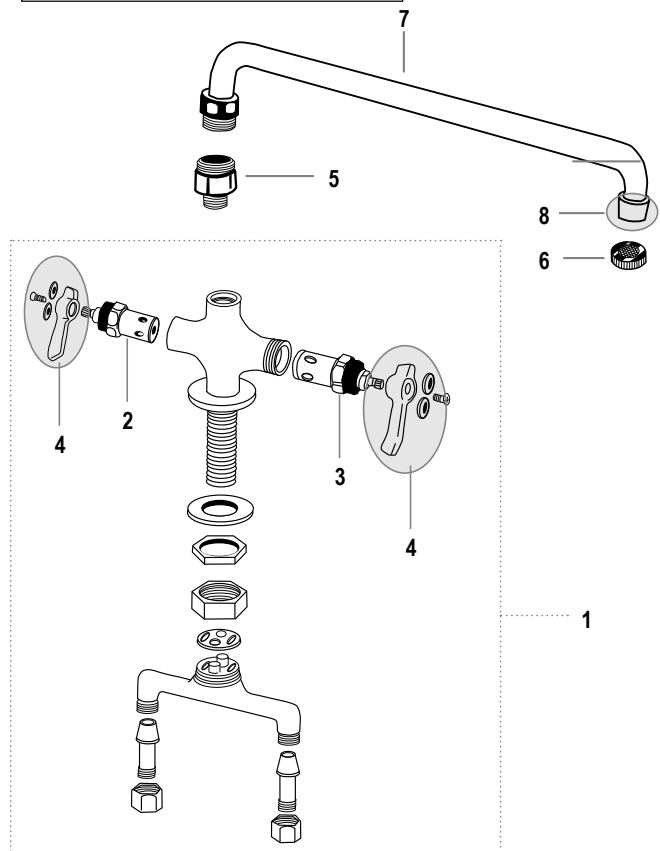
1	KL50-Y001-XZ	FAUCET BODY ASSEMBLY
2	KL50-Y007	HOT VALVE ASSEMBLY – ¼ TURN – COMPRESSION
	KL50-Y007-CCV	HOT VALVE ASSEMBLY – ¼ TURN – CERAMIC
	KL50-Y007-KT	HOT VALVE ASSEMBLY – ¼ TURN – COMPRESSION – WITH HANDLE
	KL50-Y007CVKT	HOT VALVE ASSEMBLY – ¼ TURN – CERAMIC – WITH HANDLE
3	KL50-Y006	COLD VALVE ASSEMBLY – ¼ TURN – COMPRESSION
	KL50-Y006-CCV	COLD VALVE ASSEMBLY – ¼ TURN – CERAMIC
	KL50-Y006-KT	COLD VALVE ASSEMBLY – ¼ TURN – COMPRESSION – WITH HANDLE
	KL50-Y006CVKT	COLD VALVE ASSEMBLY – ¼ TURN – CERAMIC – WITH HANDLE
4	K50-0110	LEVER HANDLE REPLACEMENT KIT W/SCREW
	K50-0001	WRIST BLADE HANDLES, PAIR, 4"
	K50-0001-6	WRIST BLADE HANDLES, PAIR, 6"
5	KL50-X075	RIGID TO SWING ADAPTER*
6	KL50-X132	STREAM REGULATOR SCREEN
7	KS11-12-X000	GOOSENECK SPOUT, 3" ADJUSTABLE
	KS11-12-X002	GOOSENECK SPOUT, 6" ADJUSTABLE
	KS11-12-X001	GOOSENECK SPOUT, 8" ADJUSTABLE
	KS11-12-X100	GOOSENECK SPOUT, 3" RIGID
	KS11-12-X102	GOOSENECK SPOUT, 6" RIGID
	KS11-12-X101	GOOSENECK SPOUT, 8" RIGID
8	KN50-X120	AERATOR 55/64 STREAM FEMALE 2.2 GPM
	KN50-X201	AERATOR 55/64 STREAM FEMALE 2.2 GPM VANDAL RESISTANT
	KN50-X120-F	AERATOR 55/64 STREAM FEMALE 1.5 GPM ANTI-MICROBIAL
	KN50-X201-F	AERATOR 55/64 LAMINAR FEMALE 1.5 GPM VANDAL RESISTANT ANTI-MICROBIAL
	KN50-X120-A	AERATOR 55/64 STREAM FEMALE .5 GPM
	KN50-X235-F	AERATOR 55/64 PC SPRAY FEMALE .35 GPM
	KN50-X335-F	AERATOR 55/64 PC SPRAY .35 GPM FEMALE VANDAL RESISTANT
	KN50-X201-A	AERATOR 55/64 PC SPRAY FEMALE .5 GPM VANDAL RESISTANT
	KN50-X120-M	AERATOR 55/64 PC SPRAY FEMALE 1.0 GPM
	KN50-X120S-06	AERATOR 55/64 ROSE SPRAY FEMALE 6.0 GPM
	KN50-X203-F	AERATOR 15/16 LAMINAR FEMALE 1.5 GPM VANDAL RESISTANT ANTI-MICROBIAL
	KN50-X203-A	AERATOR 15/16 PC SPRAY FEMALE .5 GPM VANDAL RESISTANT
	KN50-X203	AERATOR 15/16 STREAM FEMALE 2.2 GPM VANDAL RESISTANT
	KN50-X121	AERATOR 15/16 STREAM FEMALE 2.2 GPM
	KN50-X121-A	AERATOR 15/16 PC SPRAY FEMALE .5 GPM
	KN50-X121-F	AERATOR 15/16 LAMINAR FEMALE 1.5 ANTI-MICROBIAL
KN50-X305-A	AERATOR 13/16-27 PC SPRAY FEMALE .5GPM VANDAL RESISTANT	

*FOR USE WITH SWING SPOUT

DECK MOUNT DOUBLE PANTRY FAUCETS – SWING SPOUTS

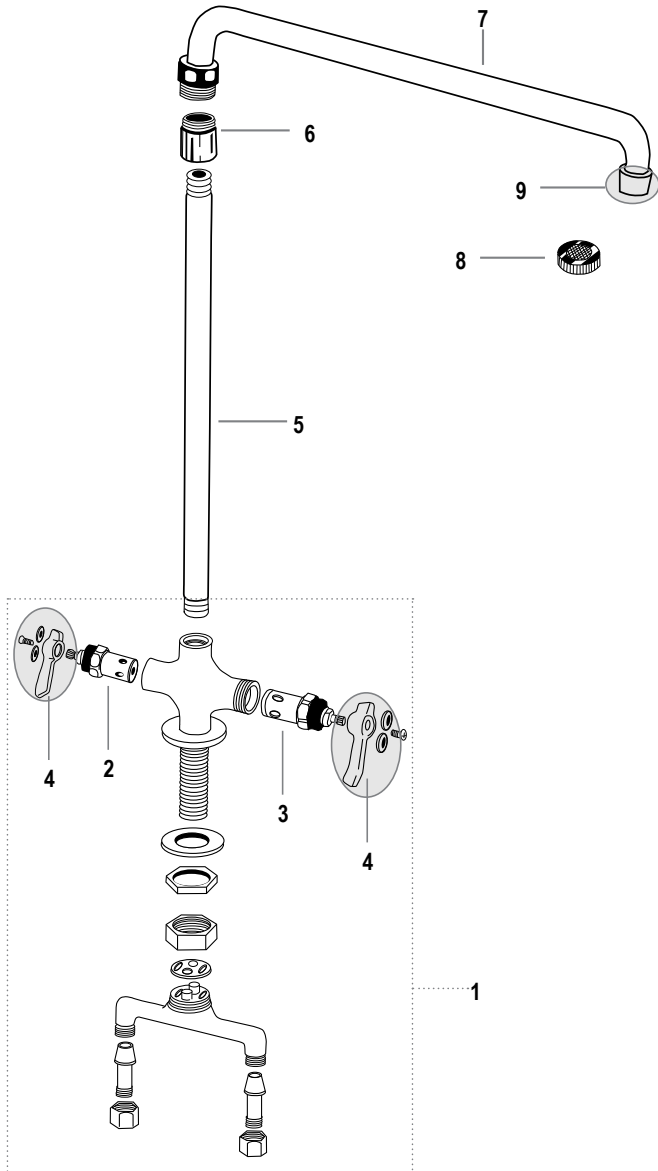
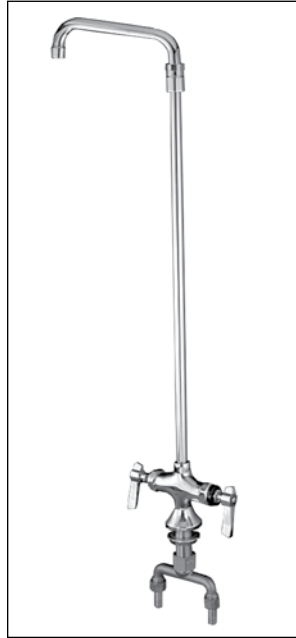
KN51-9000 • KL51-9000 SERIES

1	KL50-Y001-XZ	FAUCET BODY ASSEMBLY
2	KL50-Y007	HOT VALVE ASSEMBLY – ¼ TURN – COMPRESSION
	KL50-Y007-CCV	HOT VALVE ASSEMBLY – ¼ TURN – CERAMIC
	KL50-Y007-KT	HOT VALVE ASSEMBLY – ¼ TURN – COMPRESSION – WITH HANDLE
	KL50-Y007CVKT	HOT VALVE ASSEMBLY – ¼ TURN – CERAMIC – WITH HANDLE
3	KL50-Y006	COLD VALVE ASSEMBLY – ¼ TURN – COMPRESSION
	KL50-Y006-CCV	COLD VALVE ASSEMBLY – ¼ TURN – CERAMIC
	KL50-Y006-KT	COLD VALVE ASSEMBLY – ¼ TURN – COMPRESSION – WITH HANDLE
	KL50-Y006CVKT	COLD VALVE ASSEMBLY – ¼ TURN – CERAMIC – WITH HANDLE
4	K50-0110	LEVER HANDLE REPLACEMENT KIT W/SCREW
	K50-0001	WRIST BLADE HANDLES, PAIR, 4"
	K50-0001-6	WRIST BLADE HANDLES, PAIR, 6"
5	KL50-X075	RIGID TO SWING ADAPTER*
6	KL50-X132	STREAM REGULATOR SCREEN
7	KS11-12-X006	TUBULAR SWING SPOUT, S/S, 6"
	KS11-12-X008	TUBULAR SWING SPOUT, S/S, 8"
	KS11-12-X010	TUBULAR SWING SPOUT, S/S, 10"
	KS11-12-X012	TUBULAR SWING SPOUT, S/S, 12"
	KS11-12-X014	TUBULAR SWING SPOUT, S/S, 14"
	KS11-12-X016	TUBULAR SWING SPOUT, S/S, 16"
	KS11-12-X18A	TUBULAR SWING SPOUT, S/S, 18"
	KL11-Y406	CAST SPOUT, 6"
	KL11-Y408	CAST SPOUT, 8"
	8	KN50-X120
KN50-X201		AERATOR 55/64 STREAM FEMALE 2.2 GPM VANDAL RESISTANT
KN50-X120-F		AERATOR 55/64 STREAM FEMALE 1.5 GPM ANTI-MICROBIAL
KN50-X201-F		AERATOR 55/64 LAMINAR FEMALE 1.5 GPM VANDAL RESISTANT ANTI-MICROBIAL
KN50-X120-A		AERATOR 55/64 STREAM FEMALE .5 GPM
KN50-X235-F		AERATOR 55/64 PC SPRAY FEMALE .35 GPM
KN50-X335-F		AERATOR 55/64 PC SPRAY .35 GPM FEMALE VANDAL RESISTANT
KN50-X201-A		AERATOR 55/64 PC SPRAY FEMALE .5 GPM VANDAL RESISTANT
KN50-X120-M		AERATOR 55/64 PC SPRAY FEMALE 1.0 GPM
KN50-X120S-06		AERATOR 55/64 ROSE SPRAY FEMALE 6.0 GPM
KN50-X203-F		AERATOR 15/16 LAMINAR FEMALE 1.5 GPM VANDAL RESISTANT ANTI-MICROBIAL
KN50-X203-A		AERATOR 15/16 PC SPRAY FEMALE .5 GPM VANDAL RESISTANT
KN50-X203		AERATOR 15/16 STREAM FEMALE 2.2 GPM VANDAL RESISTANT
KN50-X121		AERATOR 15/16 STREAM FEMALE 2.2 GPM
KN50-X121-A		AERATOR 15/16 PC SPRAY FEMALE .5 GPM
KN50-X121-F		AERATOR 15/16 LAMINAR FEMALE 1.5 ANTI-MICROBIAL
KN50-X305-A		AERATOR 13/16-27 PC SPRAY FEMALE .5GPM VANDAL RESISTANT



DECK MOUNT DOUBLE PANTRY FAUCETS – ELEVATED SWING SPOUTS

KN52-9000 • KL52-9000 SERIES

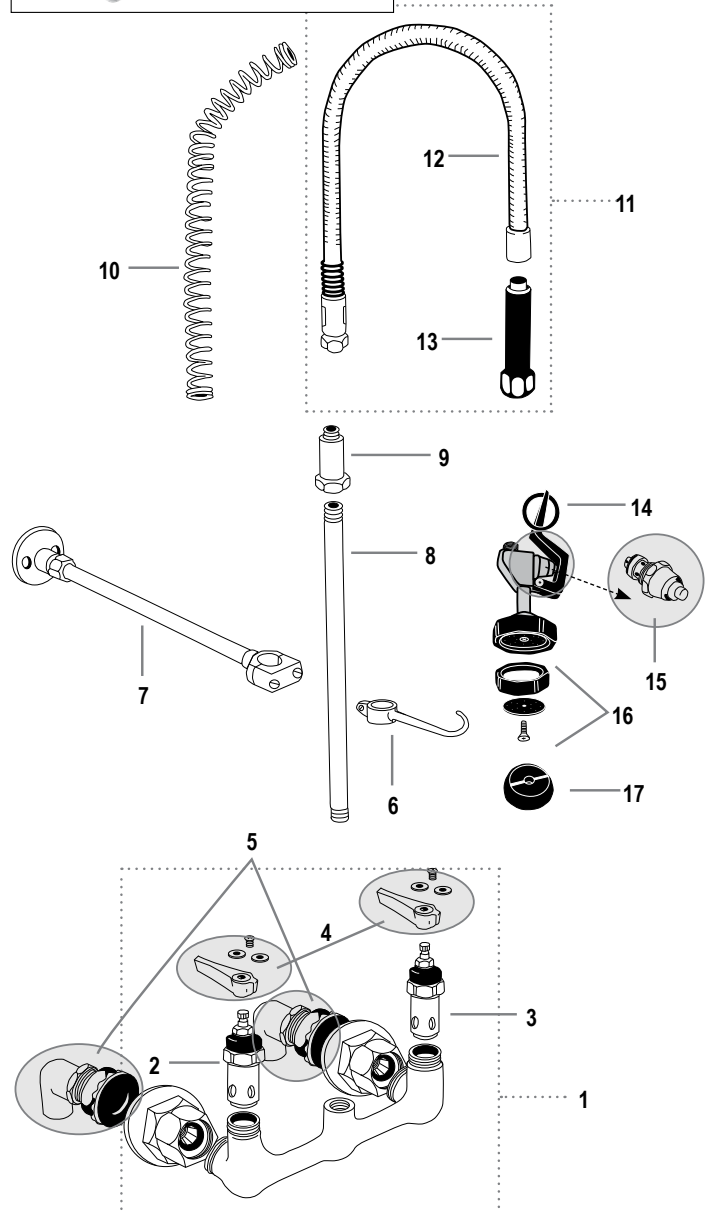


1	KL50-Y001-XZ	FAUCET BODY ASSEMBLY
2	KL50-Y007	HOT VALVE ASSEMBLY – ¼ TURN – COMPRESSION
	KL50-Y007-CCV	HOT VALVE ASSEMBLY – ¼ TURN – CERAMIC
	KL50-Y007-KT	HOT VALVE ASSEMBLY – ¼ TURN – COMPRESSION – WITH HANDLE
	KL50-Y007CVKT	HOT VALVE ASSEMBLY – ¼ TURN – CERAMIC – WITH HANDLE
3	KL50-Y006	COLD VALVE ASSEMBLY – ¼ TURN – COMPRESSION
	KL50-Y006-CCV	COLD VALVE ASSEMBLY – ¼ TURN – CERAMIC
	KL50-Y006-KT	COLD VALVE ASSEMBLY – ¼ TURN – COMPRESSION – WITH HANDLE
	KL50-Y006CVKT	COLD VALVE ASSEMBLY – ¼ TURN – CERAMIC – WITH HANDLE
4	K50-0110	LEVER HANDLE REPLACEMENT KIT W/SCREW
4	K50-0001	WRIST BLADE HANDLES, PAIR, 4"
	K50-0001-6	WRIST BLADE HANDLES, PAIR, 6"
5	KL50-X077	RISER, 18"
6	KL50-X076	RISER TO SPOUT ADAPTER
7	KS11-12-X006	TUBULAR SWING SPOUT, S/S, 6"
	KS11-12-X008	TUBULAR SWING SPOUT, S/S, 8"
	KS11-12-X010	TUBULAR SWING SPOUT, S/S, 10"
	KS11-12-X012	TUBULAR SWING SPOUT, S/S, 12"
	KS11-12-X014	TUBULAR SWING SPOUT, S/S, 14"
	KS11-12-X016	TUBULAR SWING SPOUT, S/S, 16"
	KS11-12-X18A	TUBULAR SWING SPOUT, S/S, 18"
8	KL50-X132	STREAM REGULATOR SCREEN
9	KN50-X120	AERATOR 55/64 STREAM FEMALE 2.2 GPM
	KN50-X201	AERATOR 55/64 STREAM FEMALE 2.2 GPM VANDAL RESISTANT
	KN50-X120-F	AERATOR 55/64 STREAM FEMALE 1.5 GPM ANTI-MICROBIAL
	KN50-X201-F	AERATOR 55/64 LAMINAR FEMALE 1.5 GPM VANDAL RESISTANT ANTI-MICROBIAL
	KN50-X120-A	AERATOR 55/64 STREAM FEMALE .5 GPM
	KN50-X235-F	AERATOR 55/64 PC SPRAY FEMALE .35 GPM
	KN50-X335-F	AERATOR 55/64 PC SPRAY .35 GPM FEMALE VANDAL RESISTANT
	KN50-X201-A	AERATOR 55/64 PC SPRAY FEMALE .5 GPM VANDAL RESISTANT
	KN50-X120-M	AERATOR 55/64 PC SPRAY FEMALE 1.0 GPM
	KN50-X120S-06	AERATOR 55/64 ROSE SPRAY FEMALE 6.0 GPM
	KN50-X203-F	AERATOR 15/16 LAMINAR FEMALE 1.5 GPM VANDAL RESISTANT ANTI-MICROBIAL
	KN50-X203-A	AERATOR 15/16 PC SPRAY FEMALE .5 GPM VANDAL RESISTANT
	KN50-X203	AERATOR 15/16 STREAM FEMALE 2.2 GPM VANDAL RESISTANT
	KN50-X121	AERATOR 15/16 STREAM FEMALE 2.2 GPM
	KN50-X121-A	AERATOR 15/16 PC SPRAY FEMALE .5 GPM
	KN50-X121-F	AERATOR 15/16 LAMINAR FEMALE 1.5 ANTI-MICROBIAL
KN50-X305-A	AERATOR 13/16-27 PC SPRAY FEMALE .5GPM VANDAL RESISTANT	

SPLASH MOUNT PRE-RINSE UNITS

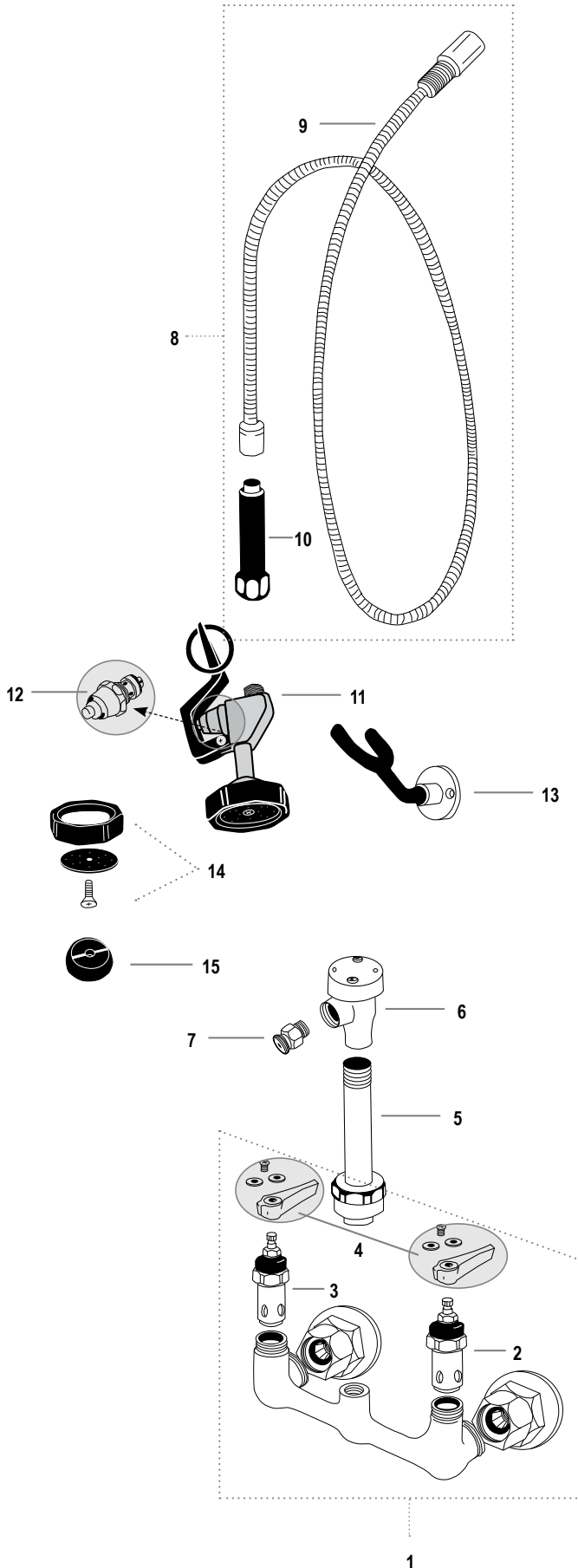
KN53-1000 • KL53-1000 SERIES

1	KL53-Y001-XZ	FAUCET BODY ASSEMBLY
2	KL50-Y007	HOT VALVE ASSEMBLY – ¼ TURN – COMPRESSION
	KL50-Y007-CCV	HOT VALVE ASSEMBLY – ¼ TURN – CERAMIC
	KL50-Y007-KT	HOT VALVE ASSEMBLY – ¼ TURN – COMPRESSION – WITH HANDLE
	KL50-Y007CVKT	HOT VALVE ASSEMBLY – ¼ TURN – CERAMIC – WITH HANDLE
3	KL50-Y006	COLD VALVE ASSEMBLY – ¼ TURN – COMPRESSION
	KL50-Y006-CCV	COLD VALVE ASSEMBLY – ¼ TURN – CERAMIC
	KL50-Y006-KT	COLD VALVE ASSEMBLY – ¼ TURN – COMPRESSION – WITH HANDLE
	KL50-Y006CVKT	COLD VALVE ASSEMBLY – ¼ TURN – CERAMIC – WITH HANDLE
4	K50-0110	LEVER HANDLE REPLACEMENT KIT W/SCREW
	K50-0001	WRIST BLADE HANDLES, PAIR, 4"
	K50-0001-6	WRIST BLADE HANDLES, PAIR, 6"
5	KL40-1000	MOUNTING KIT
	KL40-2020	MOUNTING KIT, CLOSE ELBOWS
6	K50-Y011	HOOK/SCREW ASSEMBLY
7	K50-Y020-Z	WALL BRACKET ASSEMBLY
8	KL50-X077	RISER, 18"
	KL50-X029	RISER, 24"
9	KL50-X032	SPRING RETAINER
10	K50-X033	SPRING
	K50-X178	SPRING, STAINLESS STEEL
11	KL50-Y004-20	HOSE ASSEMBLY WITH GRIP – 20"
	KL50-Y004-26	HOSE ASSEMBLY WITH GRIP – 26"
	KL50-Y004-36	HOSE ASSEMBLY WITH GRIP – 36"
	KL50-Y004-44	HOSE ASSEMBLY WITH GRIP – 44"
	KL50-Y004-60	HOSE ASSEMBLY WITH GRIP – 60"
	KL50-Y004-72	HOSE ASSEMBLY WITH GRIP – 72"
	KL50-Y004-96	HOSE ASSEMBLY WITH GRIP – 96"
12	KL50-Y010-20Z	HOSE ASSEMBLY ONLY – 20"
	KL50-Y010-26Z	HOSE ASSEMBLY ONLY – 26"
	KL50-Y010-36	HOSE ASSEMBLY ONLY – 36"
	KL50-Y010-44Z	HOSE ASSEMBLY ONLY – 44"
	KL50-Y010-60Z	HOSE ASSEMBLY ONLY – 60"
	KL50-Y010-72Z	HOSE ASSEMBLY ONLY – 72"
	KL50-Y010-96Z	HOSE ASSEMBLY ONLY – 96"
13	KN50-X025-Z	GRIP
14	KL50-Y002-065	PRE-RINSE SPRAY ASSEMBLY – .65 GPM
	KL50-Y00212XZ	PRE-RINSE SPRAY ASSEMBLY – 1.2 GPM
	KL50-Y00216XZ	PRE-RINSE SPRAY ASSEMBLY – 1.6 GPM
15	KL50-Y027	BUTTON VALVE ASSEMBLY
16	KL50-0200-16	SPRAY HEAD REPAIR KIT 1.6 GPM – INCLUDES BUTTON VALVE ASSY
17	KN50-X135	WATER SAVER FACE PLATE – 1.6 GPM
	KN50-X135-12	WATER SAVER FACE PLATE – 1.2 GPM
	KN50-X135-065	WATER SAVER FACE PLATE – .65 GPM



SPLASH MOUNT UTILITY SPRAY UNITS

KN53-2000 • KL53-2000 SERIES



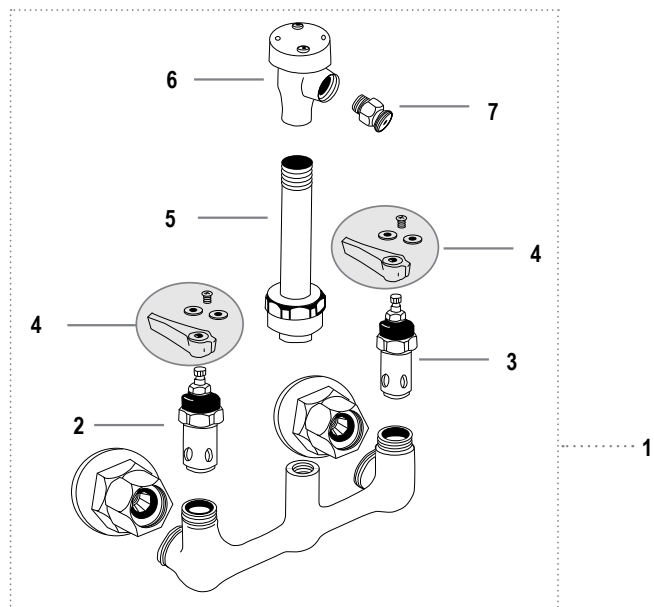
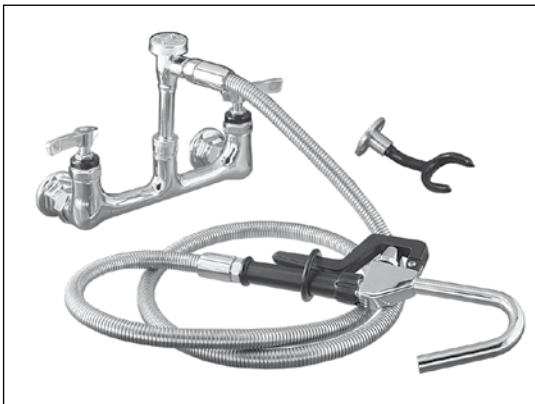
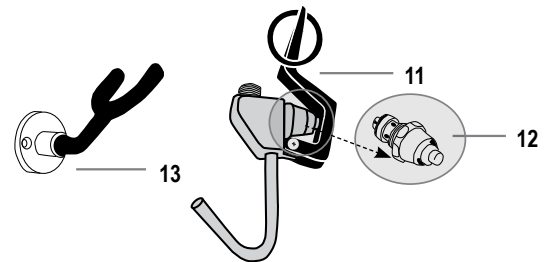
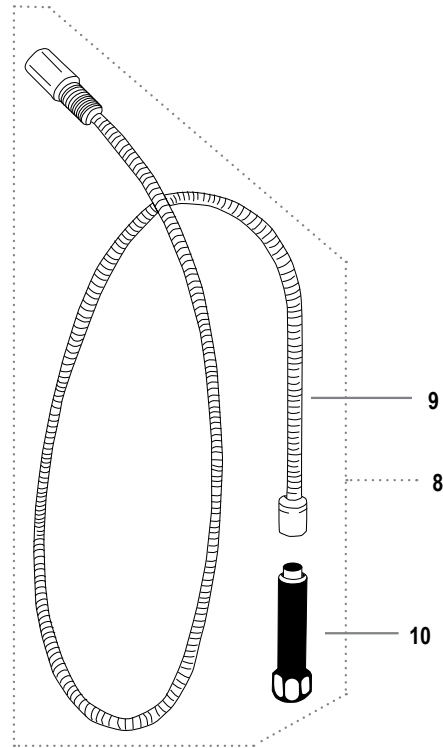
1	KL54-Y001-XZ	FAUCET BODY ASSEMBLY
2	KL50-Y007	HOT VALVE ASSEMBLY – ¼ TURN – COMPRESSION
	KL50-Y007-CCV	HOT VALVE ASSEMBLY – ¼ TURN – CERAMIC
	KL50-Y007-KT	HOT VALVE ASSEMBLY – ¼ TURN – COMPRESSION – WITH HANDLE
	KL50-Y007CVKT	HOT VALVE ASSEMBLY – ¼ TURN – CERAMIC – WITH HANDLE
3	KL50-Y006	COLD VALVE ASSEMBLY – ¼ TURN – COMPRESSION
	KL50-Y006-CCV	COLD VALVE ASSEMBLY – ¼ TURN – CERAMIC
	KL50-Y006-KT	COLD VALVE ASSEMBLY – ¼ TURN – COMPRESSION – WITH HANDLE
	KL50-Y006CVKT	COLD VALVE ASSEMBLY – ¼ TURN – CERAMIC – WITH HANDLE
4	K50-0110	LEVER HANDLE REPLACEMENT KIT W/SCREW
4	K50-0001	WRIST BLADE HANDLES, PAIR, 4"
	K50-0001-6	WRIST BLADE HANDLES, PAIR, 6"
5	KL50-Y026	SWING NOZZLE, 180 DEGREE
6	KL50-X137	VACUUM BREAKER, 3/8"
7	KL50-X128	HOSE ADAPTER, 3/8"
8	KL50-Y004-20	HOSE ASSEMBLY WITH GRIP – 20"
	KL50-Y004-26	HOSE ASSEMBLY WITH GRIP – 26"
	KL50-Y004-36	HOSE ASSEMBLY WITH GRIP – 36"
	KL50-Y004-44	HOSE ASSEMBLY WITH GRIP – 44"
	KL50-Y004-60	HOSE ASSEMBLY WITH GRIP – 60"
	KL50-Y004-72	HOSE ASSEMBLY WITH GRIP – 72"
	KL50-Y004-96	HOSE ASSEMBLY WITH GRIP – 96"
	9	KL50-Y010-20Z
9	KL50-Y010-26Z	HOSE ASSEMBLY ONLY – 26"
	KL50-Y010-36	HOSE ASSEMBLY ONLY – 36"
	KL50-Y010-44Z	HOSE ASSEMBLY ONLY – 44"
9	KL50-Y010-60Z	HOSE ASSEMBLY ONLY – 60"
	KL50-Y010-72Z	HOSE ASSEMBLY ONLY – 72"
	KL50-Y010-96Z	HOSE ASSEMBLY ONLY – 96"
10	KN50-X025-Z	GRIP
11	KL50-Y030-Z	ANGLED SPRAY VALVE ASSEMBLY
12	KL50-Y027	BUTTON VALVE ASSEMBLY
13	K50-Y012-Z	WALL HOOK
14	KL50-0200-16	SPRAY HEAD REPAIR KIT 1.6 GPM – INCLUDES BUTTON VALVE ASSY
	KL50-0200	SPRAY HEAD REPAIR KIT 3.3 GPM – INCLUDES BUTTON VALVE ASSY
15	KN50-X065-B	WATER SAVER FACE PLATE – 3.3 GPM
	KN50-X135	WATER SAVER FACE PLATE – 1.6 GPM
	KN50-X135-12	WATER SAVER FACE PLATE – 1.2 GPM
	KN50-X135-065	WATER SAVER FACE PLATE – .65 GPM



SPLASH MOUNT POT FILLER UNITS

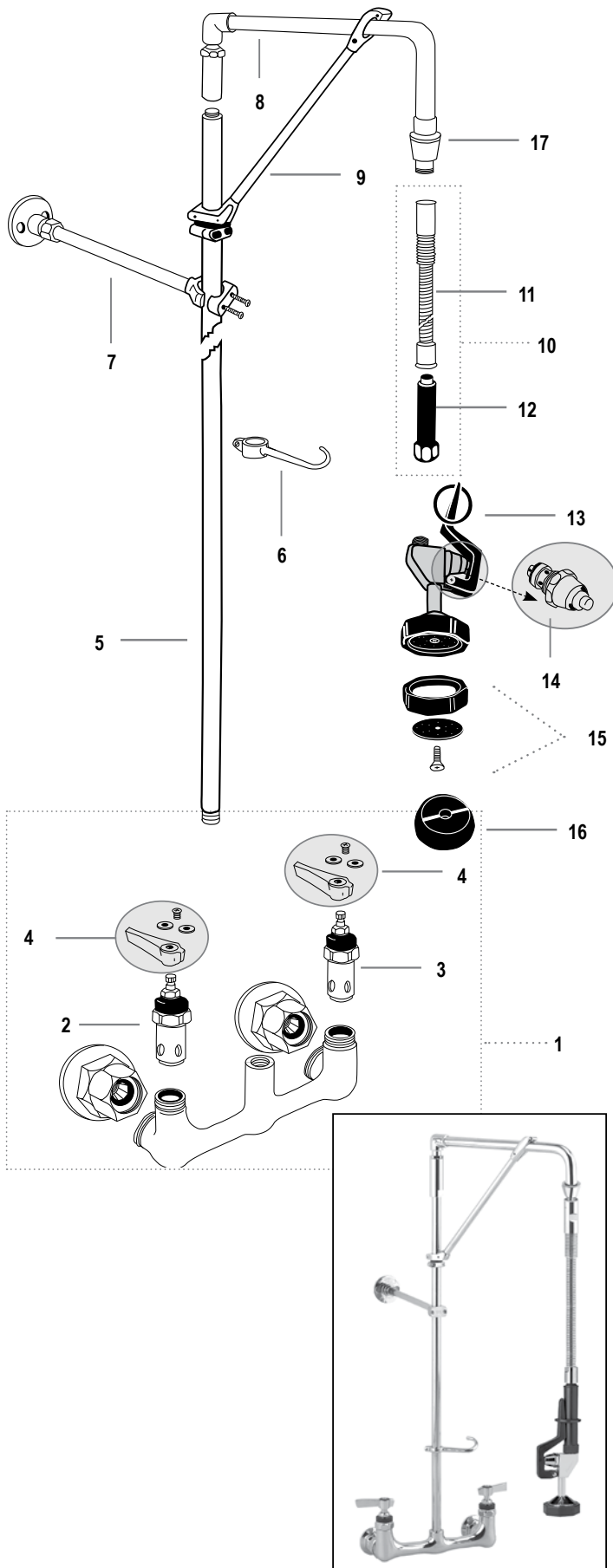
KN53-3000 • KL53-3000 SERIES

1	KL54-Y001-XZ	FAUCET BODY ASSEMBLY
2	KL50-Y007	HOT VALVE ASSEMBLY – ¼ TURN – COMPRESSION
	KL50-Y007-CCV	HOT VALVE ASSEMBLY – ¼ TURN – CERAMIC
	KL50-Y007-KT	HOT VALVE ASSEMBLY – ¼ TURN – COMPRESSION – WITH HANDLE
	KL50-Y007-CVKT	HOT VALVE ASSEMBLY – ¼ TURN – CERAMIC – WITH HANDLE
3	KL50-Y006	COLD VALVE ASSEMBLY – ¼ TURN – COMPRESSION
	KL50-Y006-CCV	COLD VALVE ASSEMBLY – ¼ TURN – CERAMIC
	KL50-Y006-KT	COLD VALVE ASSEMBLY – ¼ TURN – COMPRESSION – WITH HANDLE
	KL50-Y006-CVKT	COLD VALVE ASSEMBLY – ¼ TURN – CERAMIC – WITH HANDLE
4	K50-0110	LEVER HANDLE REPLACEMENT KIT W/SCREW
	K50-0001	WRIST BLADE HANDLES, PAIR, 4"
	K50-0001-6	WRIST BLADE HANDLES, PAIR, 6"
5	KL50-Y026	SWING NOZZLE, 180 DEGREE
6	KL50-X137	VACUUM BREAKER, 3/8"
7	KL50-X128	HOSE ADAPTER, 3/8"
8	KL50-Y004-20	HOSE ASSEMBLY WITH GRIP – 20"
	KL50-Y004-26	HOSE ASSEMBLY WITH GRIP – 26"
	KL50-Y004-36	HOSE ASSEMBLY WITH GRIP – 36"
	KL50-Y004-44	HOSE ASSEMBLY WITH GRIP – 44"
	KL50-Y004-60	HOSE ASSEMBLY WITH GRIP – 60"
	KL50-Y004-72	HOSE ASSEMBLY WITH GRIP – 72"
	KL50-Y004-96	HOSE ASSEMBLY WITH GRIP – 96"
9	KL50-Y010-20Z	HOSE ASSEMBLY ONLY – 20"
	KL50-Y010-26Z	HOSE ASSEMBLY ONLY – 26"
	KL50-Y010-36	HOSE ASSEMBLY ONLY – 36"
	KL50-Y010-44Z	HOSE ASSEMBLY ONLY – 44"
	KL50-Y010-60Z	HOSE ASSEMBLY ONLY – 60"
	KL50-Y010-72Z	HOSE ASSEMBLY ONLY – 72"
	KL50-Y010-96Z	HOSE ASSEMBLY ONLY – 96"
10	KN50-X025-Z	GRIP
11	KL50-Y031-Z	HOOKEK SPRAY VALVE ASSEMBLY
12	KL50-Y027	BUTTON VALVE ASSEMBLY
13	K50-Y012-Z	WALL HOOK



SPLASH MOUNT SWIVEL ARM PRE-RINSE UNITS

KN53-50xx • KL53-50xx SERIES

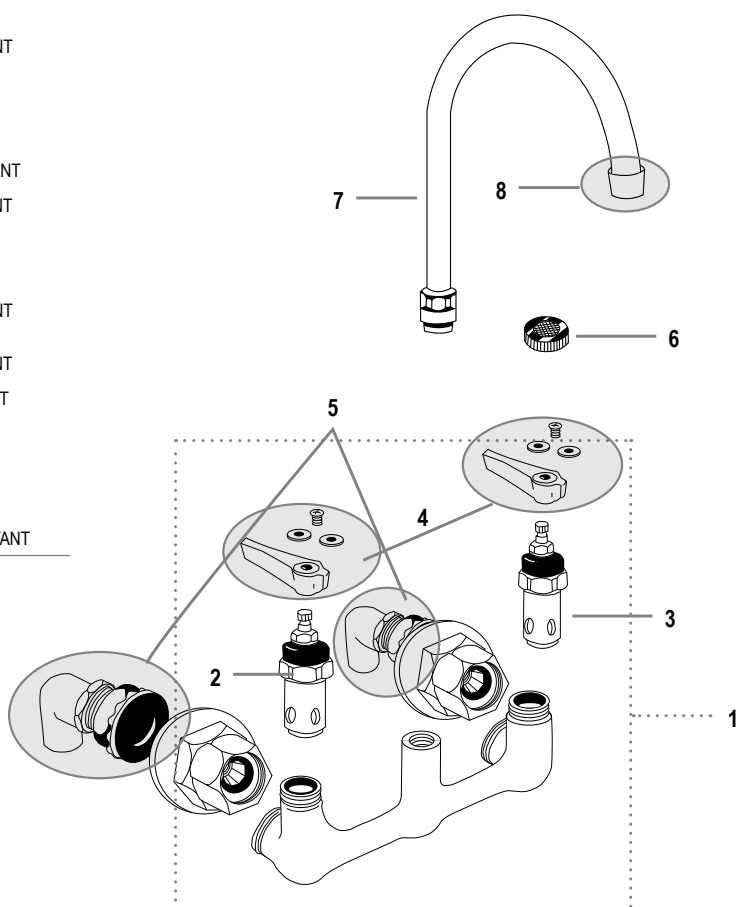


1	KL53-Y001-XZ	FAUCET BODY ASSEMBLY
2	KL50-Y007	HOT VALVE ASSEMBLY – ¼ TURN – COMPRESSION
	KL50-Y007-CCV	HOT VALVE ASSEMBLY – ¼ TURN – CERAMIC
	KL50-Y007-KT	HOT VALVE ASSEMBLY – ¼ TURN – COMPRESSION – WITH HANDLE
	KL50-Y007CVKT	HOT VALVE ASSEMBLY – ¼ TURN – CERAMIC – WITH HANDLE
3	KL50-Y006	COLD VALVE ASSEMBLY – ¼ TURN – COMPRESSION
	KL50-Y006-CCV	COLD VALVE ASSEMBLY – ¼ TURN – CERAMIC
	KL50-Y006-KT	COLD VALVE ASSEMBLY – ¼ TURN – COMPRESSION – WITH HANDLE
	KL50-Y006CVKT	COLD VALVE ASSEMBLY – ¼ TURN – CERAMIC – WITH HANDLE
4	K50-0110	LEVER HANDLE REPLACEMENT KIT W/SCREW
	K50-0001	WRIST BLADE HANDLES, PAIR, 4"
	K50-0001-6	WRIST BLADE HANDLES, PAIR, 6"
5	KL50-X153-26	RISER, 26"
	KL50-X153-32	RISER, 32"
6	K50-Y011	HOOK/SCREW ASSEMBLY
7	K50-Y020-Z	WALL BRACKET ASSEMBLY
	KL50-Y050-12	SWIVEL ARM ASSEMBLY, 12"
8	KL50-Y050-18	SWIVEL ARM ASSEMBLY, 18"
9	K50-Y500-Z	SWIVEL ARM BRACKET
10	KL50-Y004-20	HOSE ASSEMBLY WITH GRIP – 20"
	KL50-Y004-26	HOSE ASSEMBLY WITH GRIP – 26"
	KL50-Y004-36	HOSE ASSEMBLY WITH GRIP – 36"
	KL50-Y004-44	HOSE ASSEMBLY WITH GRIP – 44"
	KL50-Y004-60	HOSE ASSEMBLY WITH GRIP – 60"
	KL50-Y004-72	HOSE ASSEMBLY WITH GRIP – 72"
	KL50-Y004-96	HOSE ASSEMBLY WITH GRIP – 96"
11	KL50-Y010-20Z	HOSE ASSEMBLY ONLY – 20"
	KL50-Y010-26Z	HOSE ASSEMBLY ONLY – 26"
	KL50-Y010-36	HOSE ASSEMBLY ONLY – 36"
	KL50-Y010-44Z	HOSE ASSEMBLY ONLY – 44"
	KL50-Y010-60Z	HOSE ASSEMBLY ONLY – 60"
	KL50-Y010-72Z	HOSE ASSEMBLY ONLY – 72"
	KL50-Y010-96Z	HOSE ASSEMBLY ONLY – 96"
12	KN50-X025-Z	GRIP
13	KL50-Y002-065	PRE-RINSE SPRAY ASSEMBLY – .65 GPM
	KL50-Y00212XZ	PRE-RINSE SPRAY ASSEMBLY – 1.2 GPM
	KL50-Y00216XZ	PRE-RINSE SPRAY ASSEMBLY – 1.6 GPM
14	KL50-Y027	BUTTON VALVE ASSEMBLY
15	KL50-0200-16	SPRAY HEAD REPAIR KIT 1.6 GPM – INCLUDES BUTTON VALVE ASSY
16	KN50-X135	WATER SAVER FACE PLATE – 1.6 GPM
	KN50-X135-12	WATER SAVER FACE PLATE – 1.2 GPM
	KN50-X135-065	WATER SAVER FACE PLATE – .65 GPM
17	KL50-Y051	SWIVEL JOINT

SPLASH MOUNT FAUCETS – 8" O.C. – GOOSENECK SPOUTS

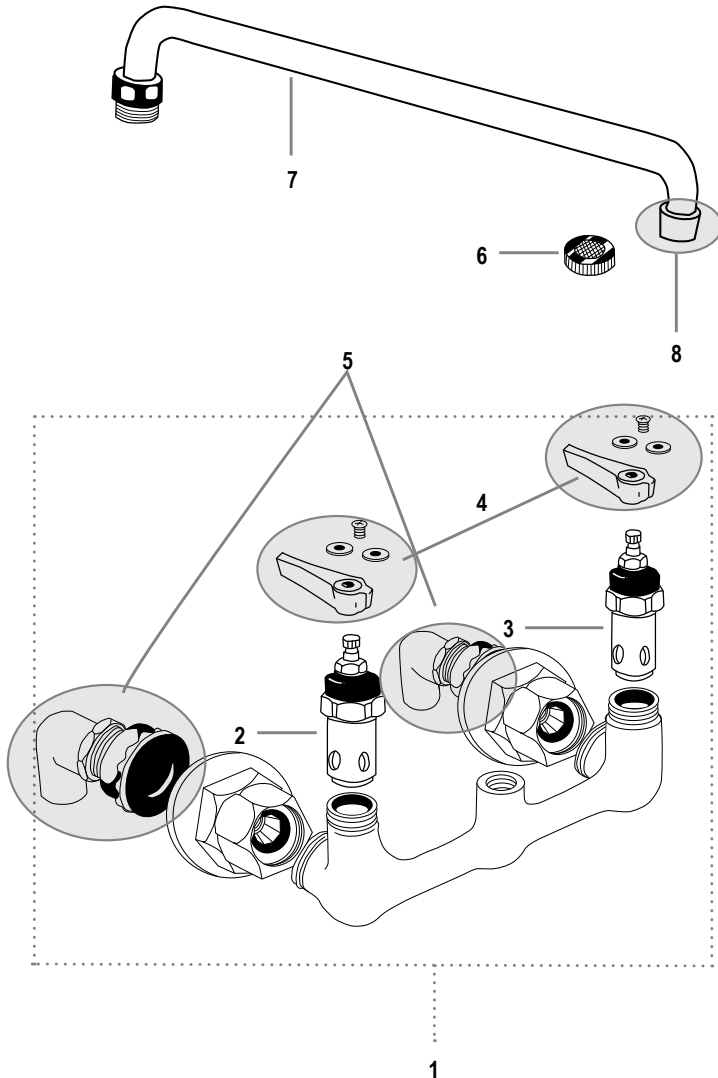
KN54-8000 • KL54-8000 SERIES

1	KL54-Y001-XZ	FAUCET BODY ASSEMBLY
2	KL50-Y007	HOT VALVE ASSEMBLY – ¼ TURN – COMPRESSION
	KL50-Y007-CCV	HOT VALVE ASSEMBLY – ¼ TURN – CERAMIC
	KL50-Y007-KT	HOT VALVE ASSEMBLY – ¼ TURN – COMPRESSION – WITH HANDLE
	KL50-Y007CVKT	HOT VALVE ASSEMBLY – ¼ TURN – CERAMIC – WITH HANDLE
3	KL50-Y006	COLD VALVE ASSEMBLY – ¼ TURN – COMPRESSION
	KL50-Y006-CCV	COLD VALVE ASSEMBLY – ¼ TURN – CERAMIC
	KL50-Y006-KT	COLD VALVE ASSEMBLY – ¼ TURN – COMPRESSION – WITH HANDLE
	KL50-Y006CVKT	COLD VALVE ASSEMBLY – ¼ TURN – CERAMIC – WITH HANDLE
4	K50-0110	LEVER HANDLE REPLACEMENT KIT W/SCREW
	K50-0001	WRIST BLADE HANDLES, PAIR, 4"
	K50-0001-6	WRIST BLADE HANDLES, PAIR, 6"
5	KL40-1000	MOUNTING KIT
	KL40-2020	MOUNTING KIT, CLOSE ELBOWS
6	KL50-X132	STREAM REGULATOR SCREEN
7	KS11-12-X000	GOOSENECK SPOUT, 3" ADJUSTABLE
	KS11-12-X002	GOOSENECK SPOUT, 6" ADJUSTABLE
	KS11-12-X001	GOOSENECK SPOUT, 8" ADJUSTABLE
	KS11-12-X100	GOOSENECK SPOUT, 3" RIGID
	KS11-12-X102	GOOSENECK SPOUT, 6" RIGID
	KS11-12-X101	GOOSENECK SPOUT, 8" RIGID
8	KN50-X120	AERATOR 55/64 STREAM FEMALE 2.2 GPM
	KN50-X201	AERATOR 55/64 STREAM FEMALE 2.2 GPM VANDAL RESISTANT
	KN50-X120-F	AERATOR 55/64 STREAM FEMALE 1.5 GPM ANTI-MICROBIAL
	KN50-X201-F	AERATOR 55/64 LAMINAR FEMALE 1.5 GPM VANDAL RESISTANT ANTI-MICROBIAL
	KN50-X120-A	AERATOR 55/64 STREAM FEMALE .5 GPM
	KN50-X235-F	AERATOR 55/64 PC SPRAY FEMALE .35 GPM
	KN50-X335-F	AERATOR 55/64 PC SPRAY .35 GPM FEMALE VANDAL RESISTANT
	KN50-X201-A	AERATOR 55/64 PC SPRAY FEMALE .5 GPM VANDAL RESISTANT
	KN50-X120-M	AERATOR 55/64 PC SPRAY FEMALE 1.0 GPM
	KN50-X120S-06	AERATOR 55/64 ROSE SPRAY FEMALE 6.0 GPM
	KN50-X203-F	AERATOR 15/16 LAMINAR FEMALE 1.5 GPM VANDAL RESISTANT ANTI-MICROBIAL
	KN50-X203-A	AERATOR 15/16 PC SPRAY FEMALE .5 GPM VANDAL RESISTANT
	KN50-X203	AERATOR 15/16 STREAM FEMALE 2.2 GPM VANDAL RESISTANT
	KN50-X121	AERATOR 15/16 STREAM FEMALE 2.2 GPM
	KN50-X121-A	AERATOR 15/16 PC SPRAY FEMALE .5 GPM
	KN50-X121-F	AERATOR 15/16 LAMINAR FEMALE 1.5 ANTI-MICROBIAL
KN50-X305-A	AERATOR 13/16-27 PC SPRAY FEMALE .5GPM VANDAL RESISTANT	



SPLASH MOUNT FAUCETS – 8" O.C. – SWING SPOUTS

KN54-8000 • KL54-8000 SERIES

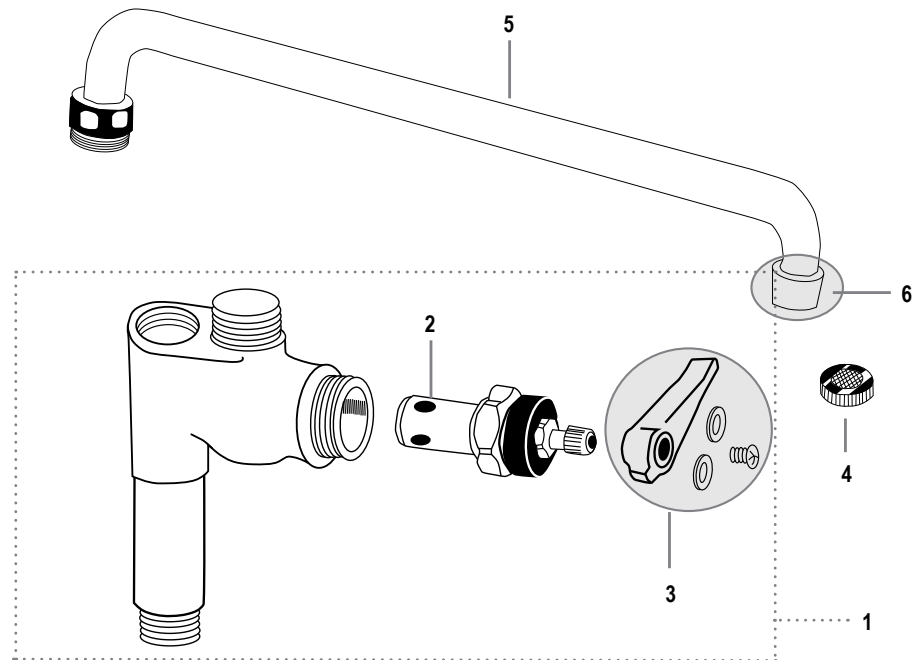


1	KL54-Y001-XZ	FAUCET BODY ASSEMBLY
2	KL50-Y007	HOT VALVE ASSEMBLY – ¼ TURN – COMPRESSION
	KL50-Y007-CCV	HOT VALVE ASSEMBLY – ¼ TURN – CERAMIC
	KL50-Y007-KT	HOT VALVE ASSEMBLY – ¼ TURN – COMPRESSION – WITH HANDLE
	KL50-Y007CVKT	HOT VALVE ASSEMBLY – ¼ TURN – CERAMIC – WITH HANDLE
3	KL50-Y006	COLD VALVE ASSEMBLY – ¼ TURN – COMPRESSION
	KL50-Y006-CCV	COLD VALVE ASSEMBLY – ¼ TURN – CERAMIC
	KL50-Y006-KT	COLD VALVE ASSEMBLY – ¼ TURN – COMPRESSION – WITH HANDLE
	KL50-Y006CVKT	COLD VALVE ASSEMBLY – ¼ TURN – CERAMIC – WITH HANDLE
4	K50-0110	LEVER HANDLE REPLACEMENT KIT W/SCREW
	K50-0001	WRIST BLADE HANDLES, PAIR, 4"
	K50-0001-6	WRIST BLADE HANDLES, PAIR, 6"
5	KL40-1000	MOUNTING KIT
	KL40-2020	MOUNTING KIT, CLOSE ELBOWS
6	KL50-X132	STREAM REGULATOR SCREEN
7	KS11-12-X006	TUBULAR SWING SPOUT, S/S, 6"
	KS11-12-X008	TUBULAR SWING SPOUT, S/S, 8"
	KS11-12-X010	TUBULAR SWING SPOUT, S/S, 10"
	KS11-12-X012	TUBULAR SWING SPOUT, S/S, 12"
	KS11-12-X014	TUBULAR SWING SPOUT, S/S, 14"
	KS11-12-X016	TUBULAR SWING SPOUT, S/S, 16"
	KS11-12-X018A	TUBULAR SWING SPOUT, S/S, 18"
8	KN50-X120	AERATOR 55/64 STREAM FEMALE 2.2 GPM
	KN50-X201	AERATOR 55/64 STREAM FEMALE 2.2 GPM VANDAL RESISTANT
	KN50-X120-F	AERATOR 55/64 STREAM FEMALE 1.5 GPM ANTI-MICROBIAL
	KN50-X201-F	AERATOR 55/64 LAMINAR FEMALE 1.5 GPM VANDAL RESISTANT ANTI-MICROBIAL
	KN50-X120-A	AERATOR 55/64 STREAM FEMALE .5 GPM
	KN50-X235-F	AERATOR 55/64 PC SPRAY FEMALE .35 GPM
	KN50-X335-F	AERATOR 55/64 PC SPRAY .35 GPM FEMALE VANDAL RESISTANT
	KN50-X201-A	AERATOR 55/64 PC SPRAY FEMALE .5 GPM VANDAL RESISTANT
	KN50-X120-M	AERATOR 55/64 PC SPRAY FEMALE 1.0 GPM
	KN50-X120S-06	AERATOR 55/64 ROSE SPRAY FEMALE 6.0 GPM
	KN50-X203-F	AERATOR 15/16 LAMINAR FEMALE 1.5 GPM VANDAL RESISTANT ANTI-MICROBIAL
	KN50-X203-A	AERATOR 15/16 PC SPRAY FEMALE .5 GPM VANDAL RESISTANT
	KN50-X203	AERATOR 15/16 STREAM FEMALE 2.2 GPM VANDAL RESISTANT
	KN50-X121	AERATOR 15/16 STREAM FEMALE 2.2 GPM
	KN50-X121-A	AERATOR 15/16 PC SPRAY FEMALE .5 GPM
	KN50-X121-F	AERATOR 15/16 LAMINAR FEMALE 1.5 ANTI-MICROBIAL
	KN50-X305-A	AERATOR 13/16-27 PC SPRAY FEMALE .5GPM VANDAL RESISTANT

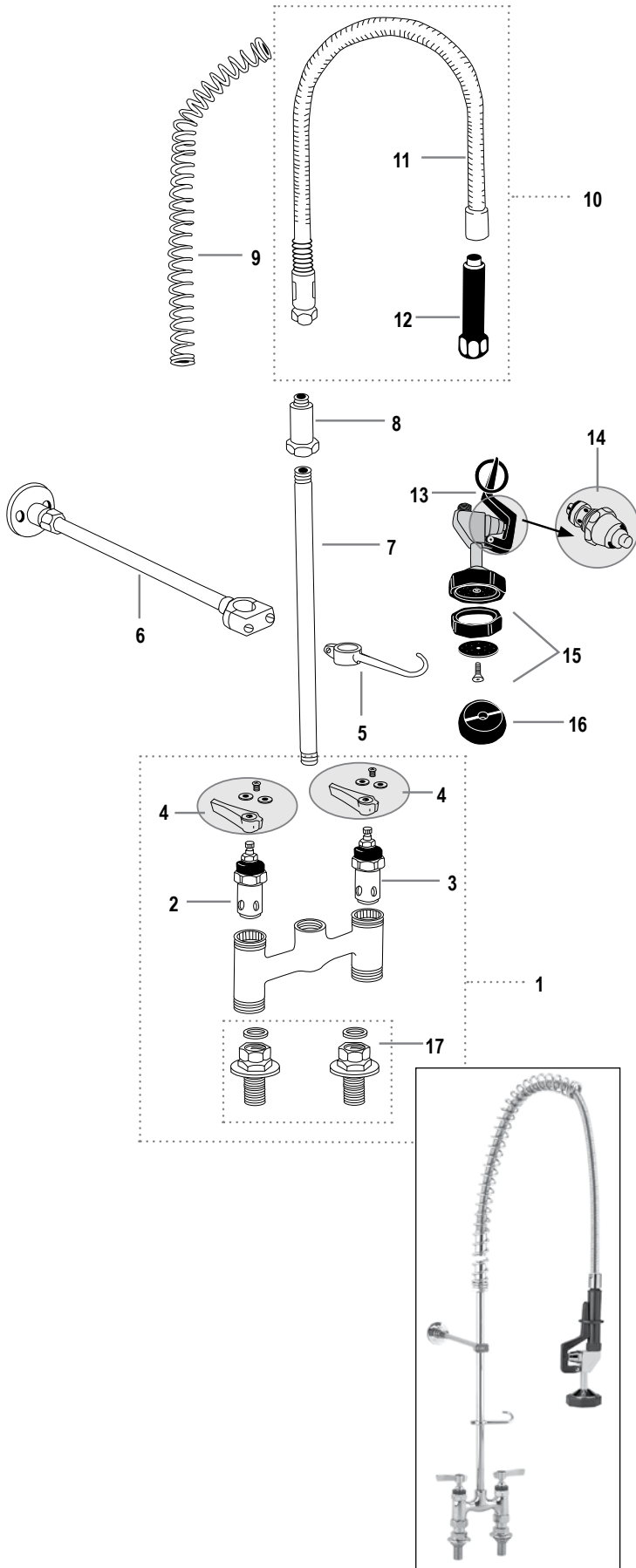
PRE-RINSE ADD-ON FAUCETS

KN55-7000 • KL55-7000 SERIES

1	KL55-Y001-Z	FAUCET BODY ASSEMBLY
2	KL55-Y010	HOT VALVE ASSEMBLY
3	K50-0110	LEVER HANDLE REPLACEMENT KIT W/SCREW
	K50-0001	WRIST BLADE HANDLES, PAIR, 4"
	K50-0001-6	WRIST BLADE HANDLES, PAIR, 6"
4	KL50-X132	STREAM REGULATOR SCREEN
5	KL11-X006	TUBULAR SWING SPOUT, S/S, 6"
	KL11-X008	TUBULAR SWING SPOUT, S/S, 8"
	KL11-X010	TUBULAR SWING SPOUT, S/S, 10"
	KL11-X012	TUBULAR SWING SPOUT, S/S, 12"
	KL11-X014	TUBULAR SWING SPOUT, S/S, 14"
	KL11-X016	TUBULAR SWING SPOUT, S/S, 16"
	KL11-X018	TUBULAR SWING SPOUT, S/S, 18" DOUBLE JOINTED
	KL11-X024	TUBULAR SWING SPOUT, S/S, 24" DOUBLE JOINTED
6	KN50-X120	AERATOR 55/64 STREAM FEMALE 2.2 GPM
	KN50-X201	AERATOR 55/64 STREAM FEMALE 2.2 GPM VANDAL RESISTANT
	KN50-X120-F	AERATOR 55/64 STREAM FEMALE 1.5 GPM ANTI-MICROBIAL
	KN50-X201-F	AERATOR 55/64 LAMINAR FEMALE 1.5 GPM VANDAL RESISTANT ANTI-MICROBIAL
	KN50-X120-A	AERATOR 55/64 STREAM FEMALE .5 GPM
	KN50-X235-F	AERATOR 55/64 PC SPRAY FEMALE .35 GPM
	KN50-X335-F	AERATOR 55/64 PC SPRAY .35 GPM FEMALE VANDAL RESISTANT
	KN50-X201-A	AERATOR 55/64 PC SPRAY FEMALE .5 GPM VANDAL RESISTANT
	KN50-X120-M	AERATOR 55/64 PC SPRAY FEMALE 1.0 GPM
	KN50-X120S-06	AERATOR 55/64 ROSE SPRAY FEMALE 6.0 GPM
	KN50-X203-F	AERATOR 15/16 LAMINAR FEMALE 1.5 GPM VANDAL RESISTANT ANTI-MICROBIAL
	KN50-X203-A	AERATOR 15/16 PC SPRAY FEMALE .5 GPM VANDAL RESISTANT
	KN50-X203	AERATOR 15/16 STREAM FEMALE 2.2 GPM VANDAL RESISTANT
	KN50-X121	AERATOR 15/16 STREAM FEMALE 2.2 GPM
	KN50-X121-A	AERATOR 15/16 PC SPRAY FEMALE .5 GPM
	KN50-X121-F	AERATOR 15/16 LAMINAR FEMALE 1.5 ANTI-MICROBIAL
	KN50-X305-A	AERATOR 13/16-27 PC SPRAY FEMALE .5GPM VANDAL RESISTANT



DECK MOUNT ELEVATED BRIDGE PRE-RINSE UNITS – 4" O.C. KN56-1000 • KL56-1000 SERIES



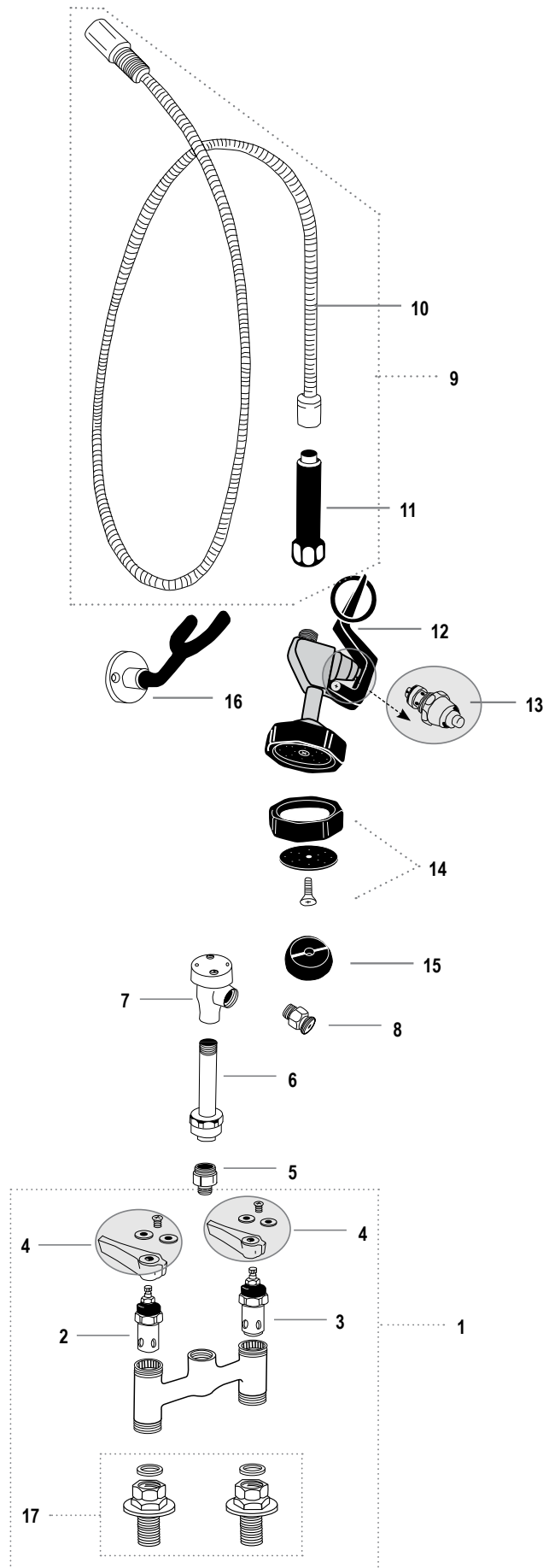
1	KL56-Y003	FAUCET BODY ASSEMBLY
2	KL50-Y007	HOT VALVE ASSEMBLY – ¼ TURN – COMPRESSION
	KL50-Y007-CCV	HOT VALVE ASSEMBLY – ¼ TURN – CERAMIC
	KL50-Y007-KT	HOT VALVE ASSEMBLY – ¼ TURN – COMPRESSION – WITH HANDLE
	KL50-Y007CVKT	HOT VALVE ASSEMBLY – ¼ TURN – CERAMIC – WITH HANDLE
3	KL50-Y006	COLD VALVE ASSEMBLY – ¼ TURN – COMPRESSION
	KL50-Y006-CCV	COLD VALVE ASSEMBLY – ¼ TURN – CERAMIC
	KL50-Y006-KT	COLD VALVE ASSEMBLY – ¼ TURN – COMPRESSION – WITH HANDLE
	KL50-Y006CVKT	COLD VALVE ASSEMBLY – ¼ TURN – CERAMIC – WITH HANDLE
4	K50-0110	LEVER HANDLE REPLACEMENT KIT W/SCREW
	K50-0001	WRIST BLADE HANDLES, PAIR, 4"
	K50-0001-6	WRIST BLADE HANDLES, PAIR, 6"
5	K50-Y011	HOOK/SCREW ASSEMBLY
6	K50-Y020-Z	WALL BRACKET ASSEMBLY
7	KL50-X077	RISER, 18"
	KL50-X029	RISER, 24"
8	KL50-X032	SPRING RETAINER
9	K50-X033	SPRING
	K50-X178	SPRING, STAINLESS STEEL
10	KL50-Y004-20	HOSE ASSEMBLY WITH GRIP – 20"
	KL50-Y004-26	HOSE ASSEMBLY WITH GRIP – 26"
	KL50-Y004-36	HOSE ASSEMBLY WITH GRIP – 36"
	KL50-Y004-44	HOSE ASSEMBLY WITH GRIP – 44"
	KL50-Y004-60	HOSE ASSEMBLY WITH GRIP – 60"
	KL50-Y004-72	HOSE ASSEMBLY WITH GRIP – 72"
	KL50-Y004-96	HOSE ASSEMBLY WITH GRIP – 96"
11	KL50-Y010-20Z	HOSE ASSEMBLY ONLY – 20"
	KL50-Y010-26Z	HOSE ASSEMBLY ONLY – 26"
	KL50-Y010-36	HOSE ASSEMBLY ONLY – 36"
	KL50-Y010-44Z	HOSE ASSEMBLY ONLY – 44"
	KL50-Y010-60Z	HOSE ASSEMBLY ONLY – 60"
	KL50-Y010-72Z	HOSE ASSEMBLY ONLY – 72"
KL50-Y010-96Z	HOSE ASSEMBLY ONLY – 96"	
12	KN50-X025-Z	GRIP
13	KL50-Y002-065	PRE-RINSE SPRAY ASSEMBLY – .65 GPM
	KL50-Y00212XZ	PRE-RINSE SPRAY ASSEMBLY – 1.2 GPM
	KL50-Y00216XZ	PRE-RINSE SPRAY ASSEMBLY – 1.6 GPM
14	KL50-Y027	BUTTON VALVE ASSEMBLY
15	KL50-0200-16	SPRAY HEAD REPAIR KIT 1.6 GPM – INCLUDES BUTTON VALVE ASSY
16	KN50-X135	WATER SAVER FACE PLATE – 1.6 GPM
	KN50-X135-12	WATER SAVER FACE PLATE – 1.2 GPM
	KN50-X135-065	WATER SAVER FACE PLATE – .65 GPM
17	KL60-Y013	COUPLING ASSEMBLY

NOTE: FOR ADD-ON FAUCET, REFER TO PAGE _____.

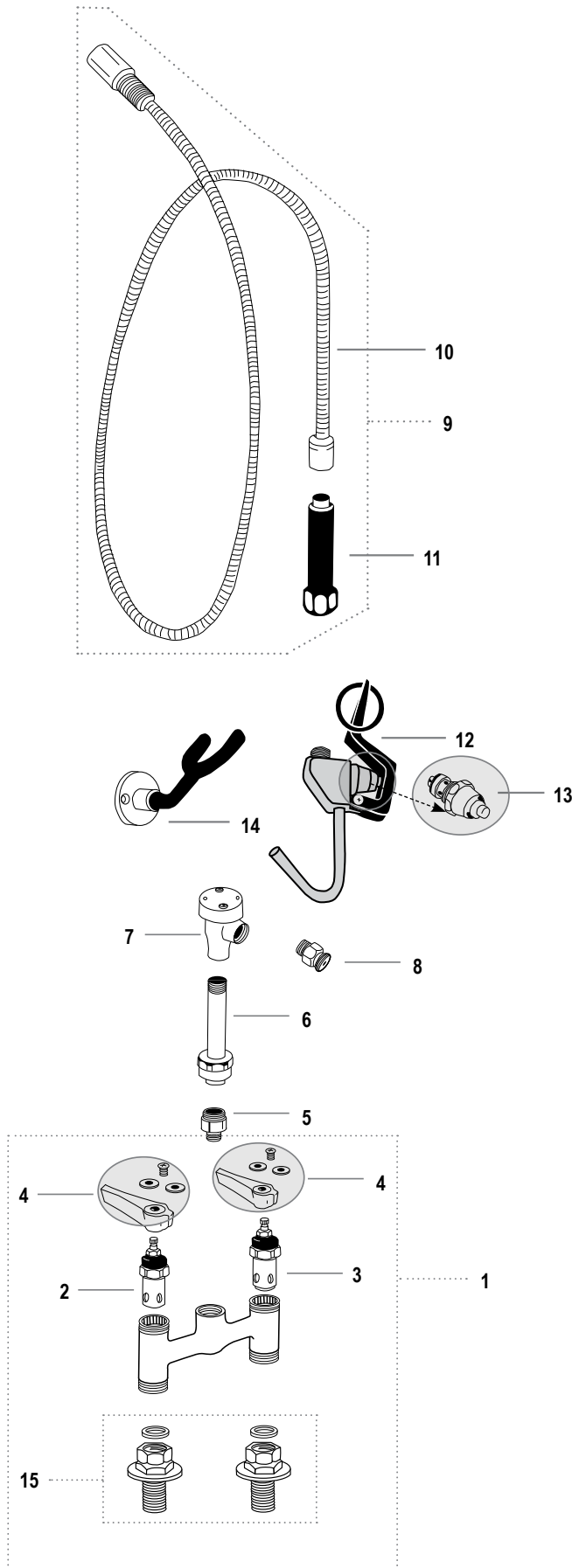
DECK MOUNT ELEVATED BRIDGE UTILITY SPRAY UNITS – 4" O.C.

KN56-2000 • KL56-2000 SERIES

1	KL56-Y003	FAUCET BODY ASSEMBLY	
2	KL50-Y007	HOT VALVE ASSEMBLY – ¼ TURN – COMPRESSION	
	KL50-Y007-CCV	HOT VALVE ASSEMBLY – ¼ TURN – CERAMIC	
	KL50-Y007-KT	HOT VALVE ASSEMBLY – ¼ TURN – COMPRESSION – WITH HANDLE	
	KL50-Y007CVKT	HOT VALVE ASSEMBLY – ¼ TURN – CERAMIC – WITH HANDLE	
3	KL50-Y006	COLD VALVE ASSEMBLY – ¼ TURN – COMPRESSION	
	KL50-Y006-CCV	COLD VALVE ASSEMBLY – ¼ TURN – CERAMIC	
	KL50-Y006-KT	COLD VALVE ASSEMBLY – ¼ TURN – COMPRESSION – WITH HANDLE	
	KL50-Y006CVKT	COLD VALVE ASSEMBLY – ¼ TURN – CERAMIC – WITH HANDLE	
4	K50-0110	LEVER HANDLE REPLACEMENT KIT W/SCREW	
	K50-0001	WRIST BLADE HANDLES, PAIR, 4"	
	K50-0001-6	WRIST BLADE HANDLES, PAIR, 6"	
5	KL50-X075	RIGID TO SWIVEL ADAPTER	
6	KL50-Y026	SWING NOZZLE, 180 DEGREE	
7	KL50-X137	VACUUM BREAKER, 3/8"	
8	KL50-X128	HOSE ADAPTER, 3/8"	
9	KL50-Y004-20	HOSE ASSEMBLY WITH GRIP – 20"	
	KL50-Y004-26	HOSE ASSEMBLY WITH GRIP – 26"	
	KL50-Y004-36	HOSE ASSEMBLY WITH GRIP – 36"	
	KL50-Y004-44	HOSE ASSEMBLY WITH GRIP – 44"	
	KL50-Y004-60	HOSE ASSEMBLY WITH GRIP – 60"	
	KL50-Y004-72	HOSE ASSEMBLY WITH GRIP – 72"	
	KL50-Y004-96	HOSE ASSEMBLY WITH GRIP – 96"	
	10	KL50-Y010-20Z	HOSE ASSEMBLY ONLY – 20"
		KL50-Y010-26Z	HOSE ASSEMBLY ONLY – 26"
KL50-Y010-36		HOSE ASSEMBLY ONLY – 36"	
KL50-Y010-44Z		HOSE ASSEMBLY ONLY – 44"	
KL50-Y010-60Z		HOSE ASSEMBLY ONLY – 60"	
KL50-Y010-72Z		HOSE ASSEMBLY ONLY – 72"	
KL50-Y010-96Z	HOSE ASSEMBLY ONLY – 96"		
11	KN50-X025-Z	GRIP	
12	KL50-Y030-Z	ANGLED SPRAY VALVE ASSEMBLY	
13	KL50-Y027	BUTTON VALVE ASSEMBLY	
14	KL50-0200-16	SPRAY HEAD REPAIR KIT 1.6 GPM – INCLUDES BUTTON VALVE ASSY	
	KL50-0200	SPRAY HEAD REPAIR KIT 3.3 GPM – INCLUDES BUTTON VALVE ASSY	
15	KN50-X065-B	WATER SAVER FACE PLATE – 3.3 GPM	
	KN50-X135	WATER SAVER FACE PLATE – 1.6 GPM	
	KN50-X135-12	WATER SAVER FACE PLATE – 1.2 GPM	
	KN50-X135-065	WATER SAVER FACE PLATE – .65 GPM	
16	K50-Y012-Z	WALL HOOK	
17	KL60-Y013	COUPLING ASSEMBLY	



DECK MOUNT ELEVATED BRIDGE POT FILLER UNITS – 4" O.C. KN56-3000 • KL56-3000 SERIES



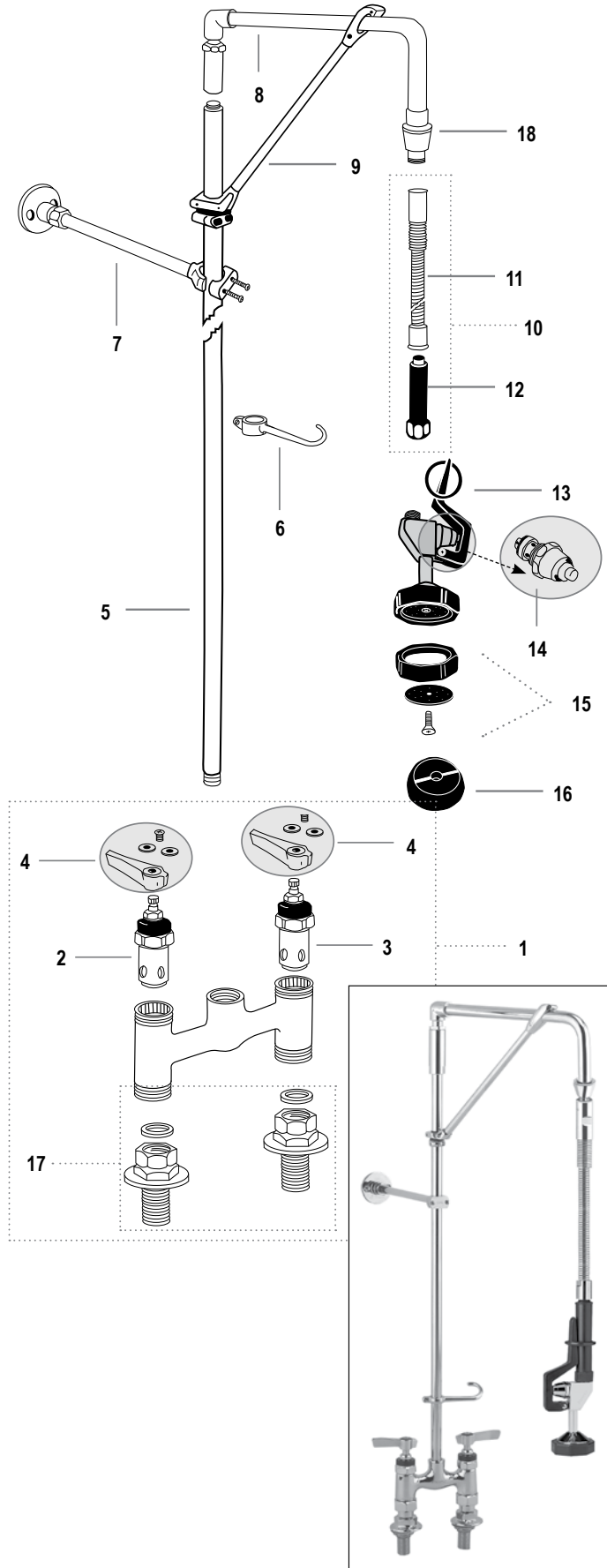
1	KL56-Y003	FAUCET BODY ASSEMBLY
2	KL50-Y007	HOT VALVE ASSEMBLY – ¼ TURN – COMPRESSION
	KL50-Y007-CCV	HOT VALVE ASSEMBLY – ¼ TURN – CERAMIC
	KL50-Y007-KT	HOT VALVE ASSEMBLY – ¼ TURN – COMPRESSION – WITH HANDLE
3	KL50-Y007CVKT	HOT VALVE ASSEMBLY – ¼ TURN – CERAMIC – WITH HANDLE
	KL50-Y006	COLD VALVE ASSEMBLY – ¼ TURN – COMPRESSION
	KL50-Y006-CCV	COLD VALVE ASSEMBLY – ¼ TURN – CERAMIC
4	KL50-Y006-KT	COLD VALVE ASSEMBLY – ¼ TURN – COMPRESSION – WITH HANDLE
	KL50-Y006CVKT	COLD VALVE ASSEMBLY – ¼ TURN – CERAMIC – WITH HANDLE
	K50-0110	LEVER HANDLE REPLACEMENT KIT W/SCREW
5	K50-0001	WRIST BLADE HANDLES, PAIR, 4"
	K50-0001-6	WRIST BLADE HANDLES, PAIR, 6"
6	KL50-X075	RIGID TO SWIVEL ADAPTER
7	KL50-Y026	SWING NOZZLE, 180 DEGREE
8	KL50-X137	VACUUM BREAKER, 3/8"
9	KL50-X128	HOSE ADAPTER, 3/8"
10	KL50-Y004-20	HOSE ASSEMBLY WITH GRIP – 20"
	KL50-Y004-26	HOSE ASSEMBLY WITH GRIP – 26"
	KL50-Y004-36	HOSE ASSEMBLY WITH GRIP – 36"
	KL50-Y004-44	HOSE ASSEMBLY WITH GRIP – 44"
	KL50-Y004-60	HOSE ASSEMBLY WITH GRIP – 60"
	KL50-Y004-72	HOSE ASSEMBLY WITH GRIP – 72"
11	KL50-Y004-96	HOSE ASSEMBLY WITH GRIP – 96"
	KL50-Y010-20Z	HOSE ASSEMBLY ONLY – 20"
	KL50-Y010-26Z	HOSE ASSEMBLY ONLY – 26"
	KL50-Y010-36	HOSE ASSEMBLY ONLY – 36"
	KL50-Y010-44Z	HOSE ASSEMBLY ONLY – 44"
	KL50-Y010-60Z	HOSE ASSEMBLY ONLY – 60"
12	KL50-Y010-72Z	HOSE ASSEMBLY ONLY – 72"
	KL50-Y010-96Z	HOSE ASSEMBLY ONLY – 96"
13	KN50-X025-Z	GRIP
14	KL50-Y031-Z	HOOKEED SPRAY VALVE ASSEMBLY
15	KL50-Y027	BUTTON VALVE ASSEMBLY
	K50-Y012-Z	WALL HOOK
	KL60-Y013	COUPLING ASSEMBLY



DECK MOUNT SWIVEL ARM PRE-RINSE UNITS – ELEVATED BRIDGE – 4” O.C.

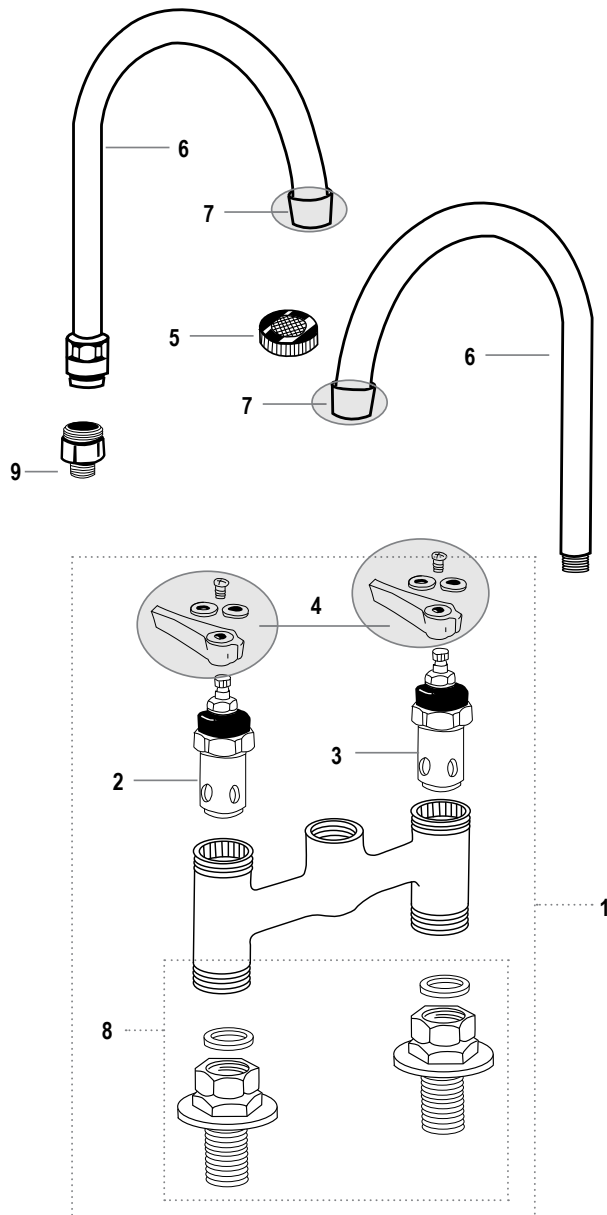
K56-50xx • KL56-50xx SERIES

1	KL56-Y003	FAUCET BODY ASSEMBLY
2	KL50-Y007	HOT VALVE ASSEMBLY – ¼ TURN – COMPRESSION
	KL50-Y007-CCV	HOT VALVE ASSEMBLY – ¼ TURN – CERAMIC
	KL50-Y007-KT	HOT VALVE ASSEMBLY – ¼ TURN – COMPRESSION – WITH HANDLE
	KL50-Y007-CVKT	HOT VALVE ASSEMBLY – ¼ TURN – CERAMIC – WITH HANDLE
3	KL50-Y006	COLD VALVE ASSEMBLY – ¼ TURN – COMPRESSION
	KL50-Y006-CCV	COLD VALVE ASSEMBLY – ¼ TURN – CERAMIC
	KL50-Y006-KT	COLD VALVE ASSEMBLY – ¼ TURN – COMPRESSION – WITH HANDLE
4	KL50-Y006-CVKT	COLD VALVE ASSEMBLY – ¼ TURN – CERAMIC – WITH HANDLE
	K50-0110	LEVER HANDLE REPLACEMENT KIT W/SCREW
	K50-0001	WRIST BLADE HANDLES, PAIR, 4"
5	K50-0001-6	WRIST BLADE HANDLES, PAIR, 6"
	KL50-X153-26	RISER, 26"
6	KL50-X153-32	RISER, 32"
	K50-Y011	HOOK/SCREW ASSEMBLY
7	K50-Y020-Z	WALL BRACKET ASSEMBLY
8	KL50-Y050-12	SWIVEL ARM ASSEMBLY, 12"
	KL50-Y050-18	SWIVEL ARM ASSEMBLY, 18"
9	K50-Y500-Z	SWIVEL ARM BRACKET
10	KL50-Y004-20	HOSE ASSEMBLY WITH GRIP – 20"
	KL50-Y004-26	HOSE ASSEMBLY WITH GRIP – 26"
	KL50-Y004-36	HOSE ASSEMBLY WITH GRIP – 36"
	KL50-Y004-44	HOSE ASSEMBLY WITH GRIP – 44"
	KL50-Y004-60	HOSE ASSEMBLY WITH GRIP – 60"
	KL50-Y004-72	HOSE ASSEMBLY WITH GRIP – 72"
11	KL50-Y004-96	HOSE ASSEMBLY WITH GRIP – 96"
	KL50-Y010-20Z	HOSE ASSEMBLY ONLY – 20"
	KL50-Y010-26Z	HOSE ASSEMBLY ONLY – 26"
	KL50-Y010-36	HOSE ASSEMBLY ONLY – 36"
12	KL50-Y010-44Z	HOSE ASSEMBLY ONLY – 44"
	KL50-Y010-60Z	HOSE ASSEMBLY ONLY – 60"
	KL50-Y010-72Z	HOSE ASSEMBLY ONLY – 72"
	KL50-Y010-96Z	HOSE ASSEMBLY ONLY – 96"
	KN50-X025-Z	GRIP
13	KL50-Y002-065	PRE-RINSE SPRAY ASSEMBLY – .65 GPM
	KL50-Y00212XZ	PRE-RINSE SPRAY ASSEMBLY – 1.2 GPM
	KL50-Y00216XZ	PRE-RINSE SPRAY ASSEMBLY – 1.6 GPM
14	KL50-Y027	BUTTON VALVE ASSEMBLY
15	KL50-0200-16	SPRAY HEAD REPAIR KIT 1.6 GPM – INCLUDES BUTTON VALVE ASSY
16	KN50-X135	WATER SAVER FACE PLATE – 1.6 GPM
	KN50-X135-12	WATER SAVER FACE PLATE – 1.2 GPM
	KN50-X135-065	WATER SAVER FACE PLATE - .65 GPM
17	KL60-Y013	COUPLING ASSEMBLY
18	KL50-Y051	SWIVEL JOINT



DECK MOUNT FAUCETS – 4" O.C. – ELEVATED BRIDGE GOOSENECK SPOUTS

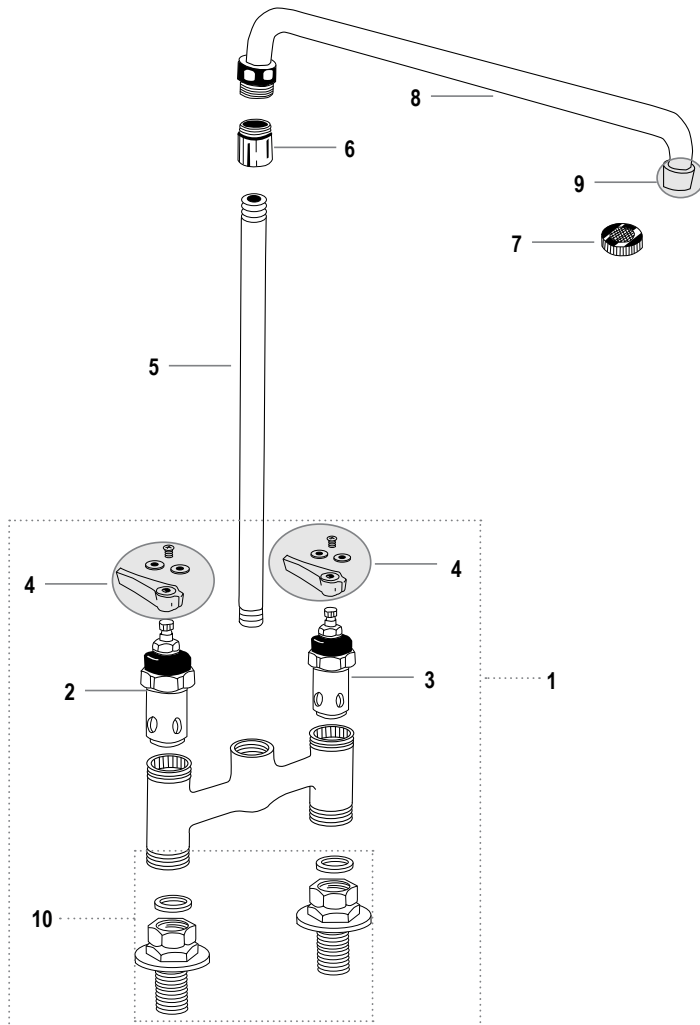
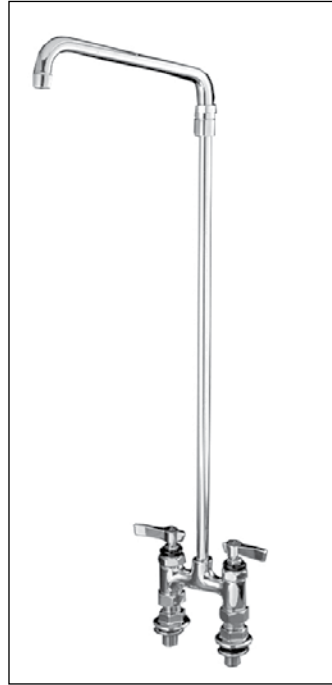
KN57-4000 • KL57-4000 SERIES



1	KL56-Y003	FAUCET BODY ASSEMBLY
2	KL50-Y007	HOT VALVE ASSEMBLY – ¼ TURN – COMPRESSION
	KL50-Y007-CCV	HOT VALVE ASSEMBLY – ¼ TURN – CERAMIC
	KL50-Y007-KT	HOT VALVE ASSEMBLY – ¼ TURN – COMPRESSION – WITH HANDLE
	KL50-Y007CVKT	HOT VALVE ASSEMBLY – ¼ TURN – CERAMIC – WITH HANDLE
3	KL50-Y006	COLD VALVE ASSEMBLY – ¼ TURN – COMPRESSION
	KL50-Y006-CCV	COLD VALVE ASSEMBLY – ¼ TURN – CERAMIC
	KL50-Y006-KT	COLD VALVE ASSEMBLY – ¼ TURN – COMPRESSION – WITH HANDLE
	KL50-Y006CVKT	COLD VALVE ASSEMBLY – ¼ TURN – CERAMIC – WITH HANDLE
4	K50-0110	LEVER HANDLE REPLACEMENT KIT W/SCREW
	K50-0001	WRIST BLADE HANDLES, PAIR, 4"
5	K50-0001-6	WRIST BLADE HANDLES, PAIR, 6"
	KL50-X132	STREAM REGULATOR SCREEN
6	KS11-12-X000	GOOSENECK SPOUT, 3" ADJUSTABLE
	KS11-12-X002	GOOSENECK SPOUT, 6" ADJUSTABLE
	KS11-12-X001	GOOSENECK SPOUT, 8" ADJUSTABLE
	KS11-12-X100	GOOSENECK SPOUT, 3" RIGID
	KS11-12-X102	GOOSENECK SPOUT, 6" RIGID
	KS11-12-X101	GOOSENECK SPOUT, 8" RIGID
7	KN50-X120	AERATOR 55/64 STREAM FEMALE 2.2 GPM
	KN50-X201	AERATOR 55/64 STREAM FEMALE 2.2 GPM VANDAL RESISTANT
	KN50-X120-F	AERATOR 55/64 STREAM FEMALE 1.5 GPM ANTI-MICROBIAL
	KN50-X201-F	AERATOR 55/64 LAMINAR FEMALE 1.5 GPM VANDAL RESISTANT ANTI-MICROBIAL
	KN50-X120-A	AERATOR 55/64 STREAM FEMALE .5 GPM
	KN50-X235-F	AERATOR 55/64 PC SPRAY FEMALE .35 GPM
	KN50-X335-F	AERATOR 55/64 PC SPRAY .35 GPM FEMALE VANDAL RESISTANT
	KN50-X201-A	AERATOR 55/64 PC SPRAY FEMALE .5 GPM VANDAL RESISTANT
	KN50-X120-M	AERATOR 55/64 PC SPRAY FEMALE 1.0 GPM
	KN50-X120S-06	AERATOR 55/64 ROSE SPRAY FEMALE 6.0 GPM
	KN50-X203-F	AERATOR 15/16 LAMINAR FEMALE 1.5 GPM VANDAL RESISTANT ANTI-MICROBIAL
	KN50-X203-A	AERATOR 15/16 PC SPRAY FEMALE .5 GPM VANDAL RESISTANT
	KN50-X203	AERATOR 15/16 STREAM FEMALE 2.2 GPM VANDAL RESISTANT
	KN50-X121	AERATOR 15/16 STREAM FEMALE 2.2 GPM
KN50-X121-A	AERATOR 15/16 PC SPRAY FEMALE .5 GPM	
KN50-X121-F	AERATOR 15/16 LAMINAR FEMALE 1.5 ANTI-MICROBIAL	
8	KL60-Y013	COUPLING ASSEMBLY
9	KL50-X122	BUSHING FOR RIGID SPOUT

DECK MOUNT FAUCETS – 4" O.C. – ELEVATED SWING SPOUTS

KN58-4000 • KL58-4000 SERIES



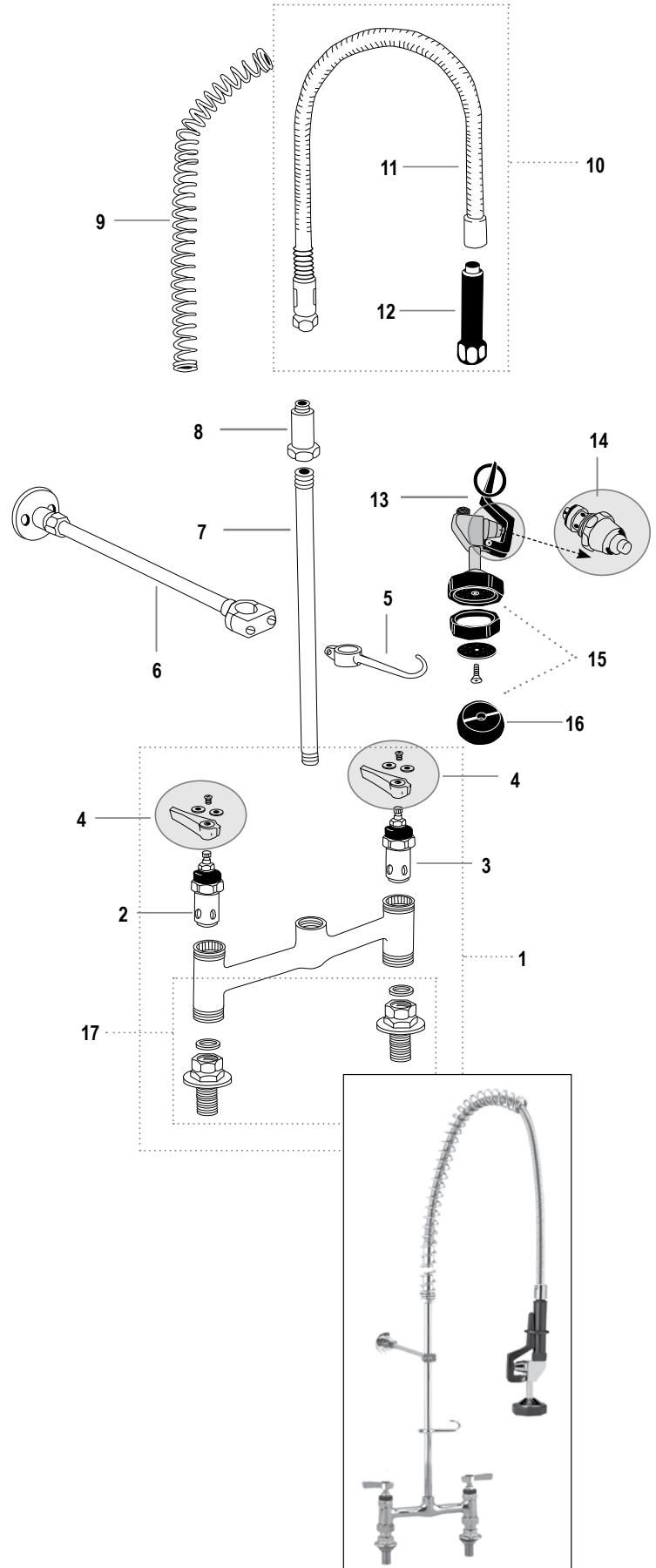
1	KL56-Y003	FAUCET BODY ASSEMBLY
2	KL50-Y007	HOT VALVE ASSEMBLY – ¼ TURN – COMPRESSION
	KL50-Y007-CCV	HOT VALVE ASSEMBLY – ¼ TURN – CERAMIC
	KL50-Y007-KT	HOT VALVE ASSEMBLY – ¼ TURN – COMPRESSION – WITH HANDLE
	KL50-Y007CVKT	HOT VALVE ASSEMBLY – ¼ TURN – CERAMIC – WITH HANDLE
3	KL50-Y006	COLD VALVE ASSEMBLY – ¼ TURN – COMPRESSION
	KL50-Y006-CCV	COLD VALVE ASSEMBLY – ¼ TURN – CERAMIC
	KL50-Y006-KT	COLD VALVE ASSEMBLY – ¼ TURN – COMPRESSION – WITH HANDLE
	KL50-Y006CVKT	COLD VALVE ASSEMBLY – ¼ TURN – CERAMIC – WITH HANDLE
4	K50-0110	LEVER HANDLE REPLACEMENT KIT W/SCREW
4	K50-0001	WRIST BLADE HANDLES, PAIR, 4"
	K50-0001-6	WRIST BLADE HANDLES, PAIR, 6"
5	KL50-X077	RISER, 18"
6	KL50-X076	RISER TO SPOUT ADAPTER
7	KL50-X132	STREAM REGULATOR SCREEN
8	KS11-12-X006	TUBULAR SWING SPOUT, S/S, 6"
	KS11-12-X008	TUBULAR SWING SPOUT, S/S, 8"
	KS11-12-X010	TUBULAR SWING SPOUT, S/S, 10"
	KS11-12-X012	TUBULAR SWING SPOUT, S/S, 12"
	KS11-12-X112	TUBULAR SWING SPOUT, S/S, 12" (FOR JOINTED APPLICATIONS ONLY)
	KS11-12-X014	TUBULAR SWING SPOUT, S/S, 14"
	KS11-12-X016	TUBULAR SWING SPOUT, S/S, 16"
	KS11-12-X18A	TUBULAR SWING SPOUT, S/S, 18"
9	KN50-X120	AERATOR 55/64 STREAM FEMALE 2.2 GPM
	KN50-X201	AERATOR 55/64 STREAM FEMALE 2.2 GPM VANDAL RESISTANT
	KN50-X120-F	AERATOR 55/64 STREAM FEMALE 1.5 GPM ANTI-MICROBIAL
	KN50-X201-F	AERATOR 55/64 LAMINAR FEMALE 1.5 GPM VANDAL RESISTANT ANTI-MICROBIAL
	KN50-X120-A	AERATOR 55/64 STREAM FEMALE .5 GPM
	KN50-X235-F	AERATOR 55/64 PC SPRAY FEMALE .35 GPM
	KN50-X335-F	AERATOR 55/64 PC SPRAY .35 GPM FEMALE VANDAL RESISTANT
	KN50-X201-A	AERATOR 55/64 PC SPRAY FEMALE .5 GPM VANDAL RESISTANT
	KN50-X120-M	AERATOR 55/64 PC SPRAY FEMALE 1.0 GPM
	KN50-X120S-06	AERATOR 55/64 ROSE SPRAY FEMALE 6.0 GPM
	KN50-X203-F	AERATOR 15/16 LAMINAR FEMALE 1.5 GPM VANDAL RESISTANT ANTI-MICROBIAL
	KN50-X203-A	AERATOR 15/16 PC SPRAY FEMALE .5 GPM VANDAL RESISTANT
KN50-X203	AERATOR 15/16 STREAM FEMALE 2.2 GPM VANDAL RESISTANT	
KN50-X121	AERATOR 15/16 STREAM FEMALE 2.2 GPM	
KN50-X121-A	AERATOR 15/16 PC SPRAY FEMALE .5 GPM	
KN50-X121-F	AERATOR 15/16 LAMINAR FEMALE 1.5 ANTI-MICROBIAL	
KN50-X305-A	AERATOR 13/16-27 PC SPRAY FEMALE .5GPM VANDAL RESISTANT	
10	KL60-Y013	COUPLING ASSEMBLY

DECK MOUNT ELEVATED BRIDGE PRE-RINSE UNITS – 8” O.C.

KN60-1000 • KL60-1000 SERIES

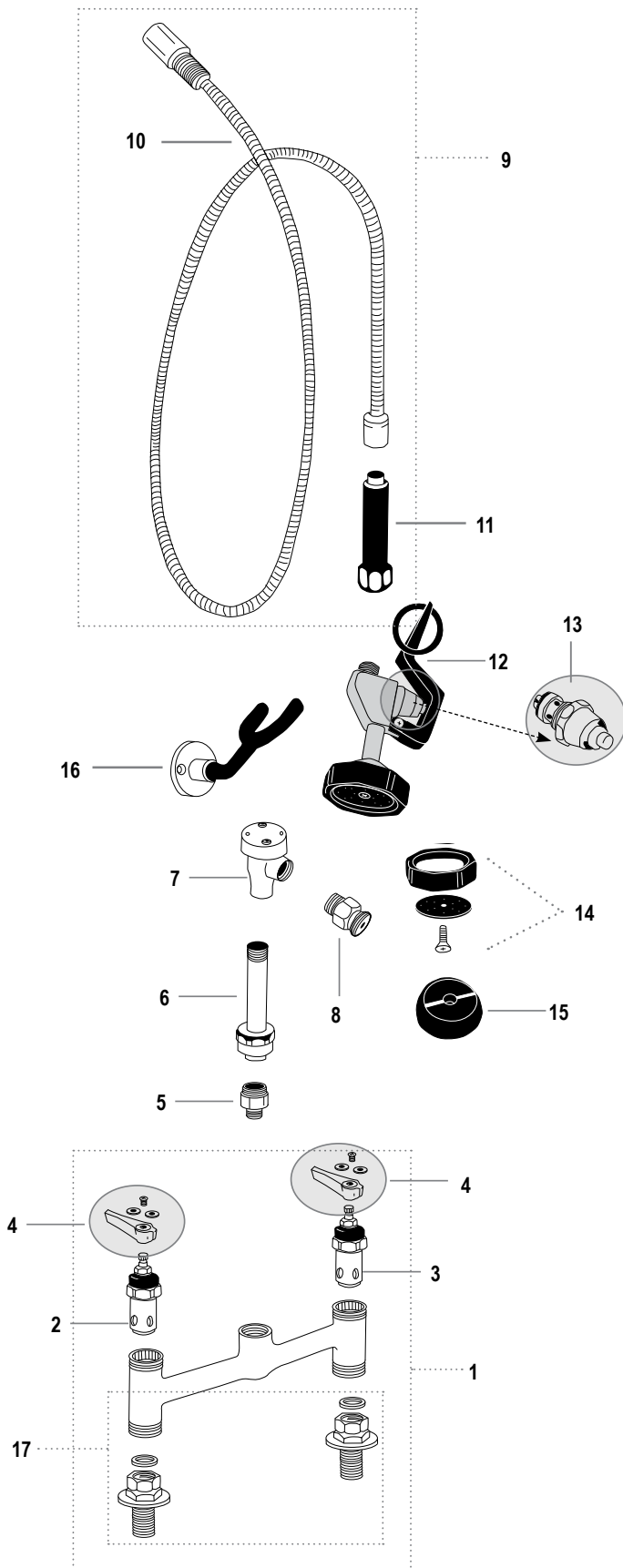
1	KL60-Y001	FAUCET BODY ASSEMBLY
2	KL50-Y007	HOT VALVE ASSEMBLY – ¼ TURN – COMPRESSION
	KL50-Y007-CCV	HOT VALVE ASSEMBLY – ¼ TURN – CERAMIC
	KL50-Y007-KT	HOT VALVE ASSEMBLY – ¼ TURN – COMPRESSION – WITH HANDLE
	KL50-Y007CVKT	HOT VALVE ASSEMBLY – ¼ TURN – CERAMIC – WITH HANDLE
3	KL50-Y006	COLD VALVE ASSEMBLY – ¼ TURN – COMPRESSION
	KL50-Y006-CCV	COLD VALVE ASSEMBLY – ¼ TURN – CERAMIC
	KL50-Y006-KT	COLD VALVE ASSEMBLY – ¼ TURN – COMPRESSION – WITH HANDLE
	KL50-Y006CVKT	COLD VALVE ASSEMBLY – ¼ TURN – CERAMIC – WITH HANDLE
4	K50-0110	LEVER HANDLE REPLACEMENT KIT W/SCREW
	K50-0001	WRIST BLADE HANDLES, PAIR, 4"
	K50-0001-6	WRIST BLADE HANDLES, PAIR, 6"
5	K50-Y011	HOOK/SCREW ASSEMBLY
6	K50-Y020-Z	WALL BRACKET ASSEMBLY
	K50-Y020-6	WALL BRACKET ASSEMBLY, 6"
7	KL50-X077	RISER, 18"
	KL50-X029	RISER, 24"
8	KL50-X032	SPRING RETAINER
9	K50-X033	SPRING
	K50-X178	SPRING, STAINLESS STEEL
10	KL50-Y004-20	HOSE ASSEMBLY WITH GRIP – 20"
	KL50-Y004-26	HOSE ASSEMBLY WITH GRIP – 26"
	KL50-Y004-36	HOSE ASSEMBLY WITH GRIP – 36"
	KL50-Y004-44	HOSE ASSEMBLY WITH GRIP – 44"
	KL50-Y004-60	HOSE ASSEMBLY WITH GRIP – 60"
	KL50-Y004-72	HOSE ASSEMBLY WITH GRIP – 72"
	KL50-Y004-96	HOSE ASSEMBLY WITH GRIP – 96"
11	KL50-Y010-20Z	HOSE ASSEMBLY ONLY – 20"
	KL50-Y010-26Z	HOSE ASSEMBLY ONLY – 26"
	KL50-Y010-36	HOSE ASSEMBLY ONLY – 36"
	KL50-Y010-44Z	HOSE ASSEMBLY ONLY – 44"
	KL50-Y010-60Z	HOSE ASSEMBLY ONLY – 60"
	KL50-Y010-72Z	HOSE ASSEMBLY ONLY – 72"
	KL50-Y010-96Z	HOSE ASSEMBLY ONLY – 96"
12	KN50-X025-Z	GRIP
13	KL50-Y002-065	PRE-RINSE SPRAY ASSEMBLY – .65 GPM
	KL50-Y00212XZ	PRE-RINSE SPRAY ASSEMBLY – 1.2 GPM
	KL50-Y00216XZ	PRE-RINSE SPRAY ASSEMBLY – 1.6 GPM
14	KL50-Y027	BUTTON VALVE ASSEMBLY
15	KL50-0200-16	SPRAY HEAD REPAIR KIT 1.6 GPM – INCLUDES BUTTON VALVE ASSY
16	KN50-X135	WATER SAVER FACE PLATE – 1.6 GPM
	KN50-X135-12	WATER SAVER FACE PLATE – 1.2 GPM
	KN50-X135-065	WATER SAVER FACE PLATE – .65 GPM
17	KL60-Y013	COUPLING ASSEMBLY

NOTE: FOR ADD-ON FAUCET, REFER TO PAGE _____.

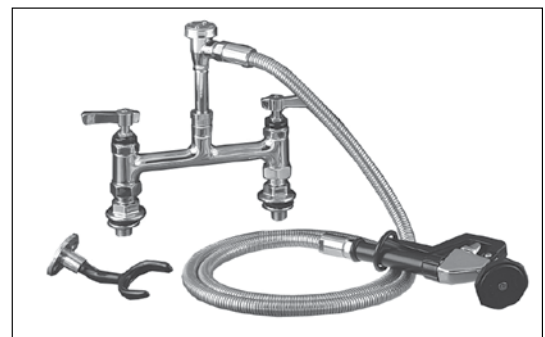


DECK MOUNT ELEVATED BRIDGE UTILITY SPRAY UNITS – 8" O.C.

KN60-2000 • KL60-2000 SERIES



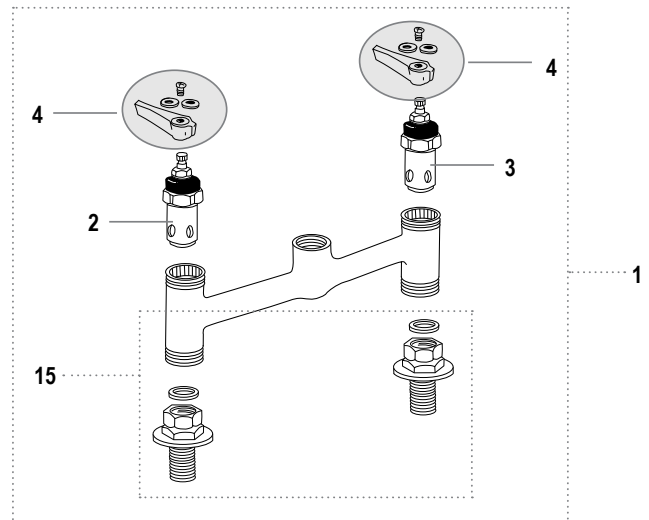
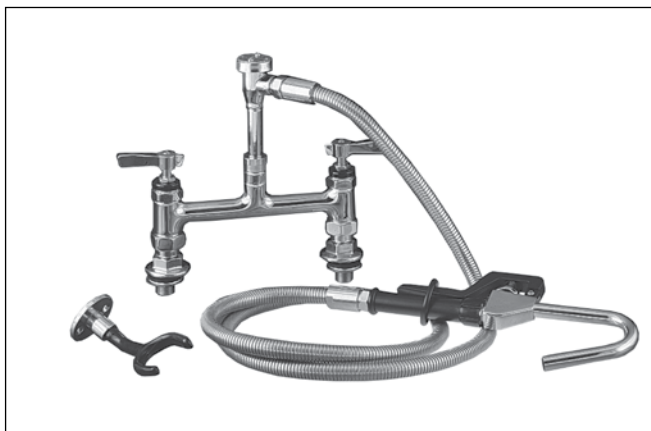
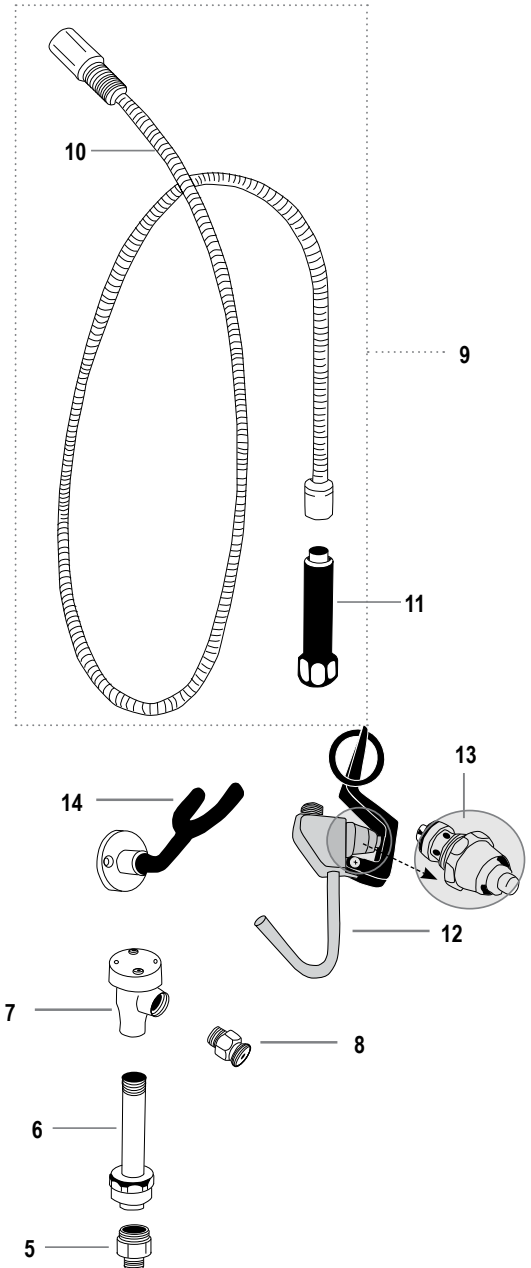
1	KL61-Y001	FAUCET BODY ASSEMBLY
2	KL50-Y007	HOT VALVE ASSEMBLY – ¼ TURN – COMPRESSION
	KL50-Y007-CCV	HOT VALVE ASSEMBLY – ¼ TURN – CERAMIC
	KL50-Y007-KT	HOT VALVE ASSEMBLY – ¼ TURN – COMPRESSION – WITH HANDLE
	KL50-Y007CVKT	HOT VALVE ASSEMBLY – ¼ TURN – CERAMIC – WITH HANDLE
3	KL50-Y006	COLD VALVE ASSEMBLY – ¼ TURN – COMPRESSION
	KL50-Y006-CCV	COLD VALVE ASSEMBLY – ¼ TURN – CERAMIC
	KL50-Y006-KT	COLD VALVE ASSEMBLY – ¼ TURN – COMPRESSION – WITH HANDLE
	KL50-Y006CVKT	COLD VALVE ASSEMBLY – ¼ TURN – CERAMIC – WITH HANDLE
4	K50-0110	LEVER HANDLE REPLACEMENT KIT W/SCREW
	K50-0001	WRIST BLADE HANDLES, PAIR, 4"
	K50-0001-6	WRIST BLADE HANDLES, PAIR, 6"
5	KL50-X075	RIGID TO SWIVEL ADAPTER
6	KL50-Y026	SWING NOZZLE, 180 DEGREE
7	KL50-X137	VACUUM BREAKER, 3/8"
8	KL50-X128	HOSE ADAPTER, 3/8"
9	KL50-Y004-20	HOSE ASSEMBLY WITH GRIP – 20"
	KL50-Y004-26	HOSE ASSEMBLY WITH GRIP – 26"
	KL50-Y004-36	HOSE ASSEMBLY WITH GRIP – 36"
	KL50-Y004-44	HOSE ASSEMBLY WITH GRIP – 44"
	KL50-Y004-60	HOSE ASSEMBLY WITH GRIP – 60"
	KL50-Y004-72	HOSE ASSEMBLY WITH GRIP – 72"
KL50-Y004-96	HOSE ASSEMBLY WITH GRIP – 96"	
10	KL50-Y010-20Z	HOSE ASSEMBLY ONLY – 20"
	KL50-Y010-26Z	HOSE ASSEMBLY ONLY – 26"
	KL50-Y010-36	HOSE ASSEMBLY ONLY – 36"
	KL50-Y010-44Z	HOSE ASSEMBLY ONLY – 44"
	KL50-Y010-60Z	HOSE ASSEMBLY ONLY – 60"
	KL50-Y010-72Z	HOSE ASSEMBLY ONLY – 72"
KL50-Y010-96Z	HOSE ASSEMBLY ONLY – 96"	
11	KN50-X025-Z	GRIP
12	KL50-Y030-Z	ANGLED SPRAY VALVE ASSEMBLY
13	KL50-Y027	BUTTON VALVE ASSEMBLY
14	KL50-0200-16	SPRAY HEAD REPAIR KIT 1.6 GPM – INCLUDES BUTTON VALVE ASSY
	KL50-0200	SPRAY HEAD REPAIR KIT 3.3 GPM – INCLUDES BUTTON VALVE ASSY
15	KN50-X065-B	WATER SAVER FACE PLATE – 3.3 GPM
	KN50-X135	WATER SAVER FACE PLATE – 1.6 GPM
	KN50-X135-12	WATER SAVER FACE PLATE – 1.2 GPM
	KN50-X135-065	WATER SAVER FACE PLATE – .65 GPM
16	K50-Y012-Z	WALL HOOK
17	KL60-Y013	COUPLING ASSEMBLY



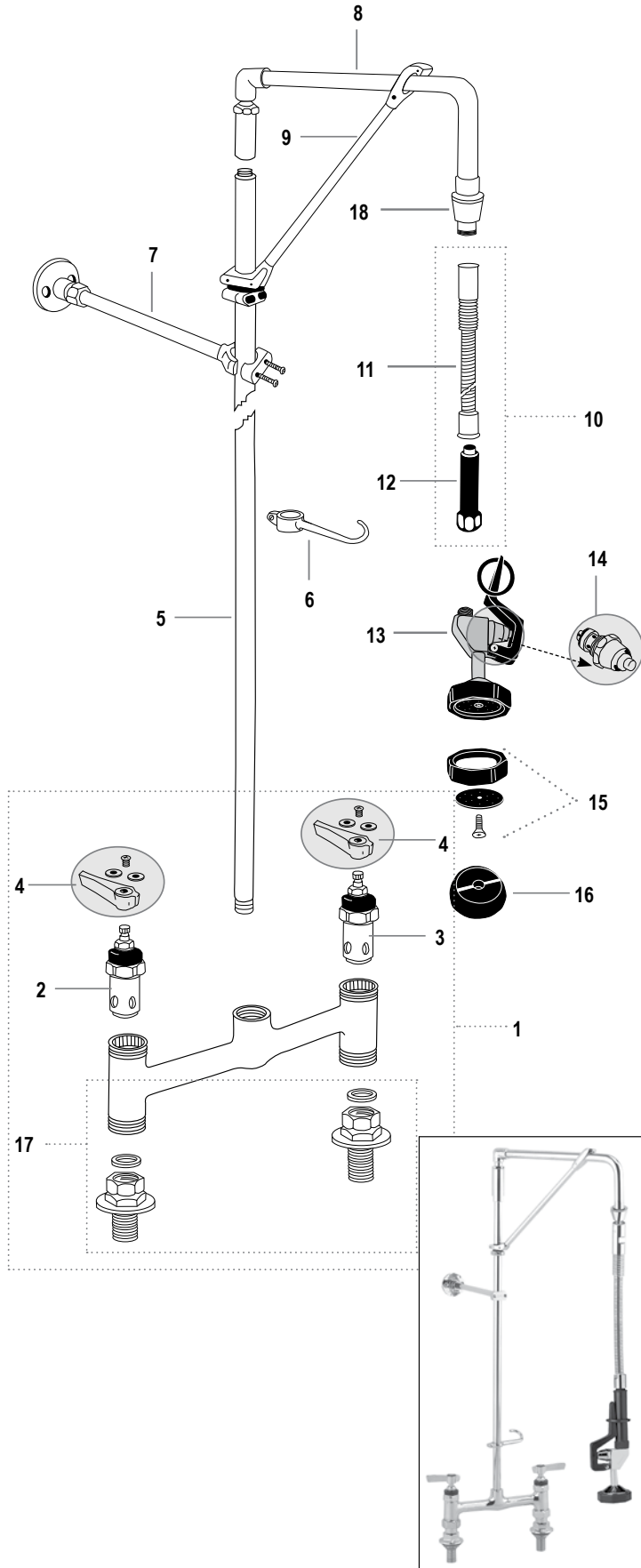
DECK MOUNT ELEVATED BRIDGE POT FILLER UNITS – 8" O.C.

KN60-3000 • KL60-3000 SERIES

1	KL61-Y001	FAUCET BODY ASSEMBLY
2	KL50-Y007	HOT VALVE ASSEMBLY – ¼ TURN – COMPRESSION
	KL50-Y007-CCV	HOT VALVE ASSEMBLY – ¼ TURN – CERAMIC
	KL50-Y007-KT	HOT VALVE ASSEMBLY – ¼ TURN – COMPRESSION – WITH HANDLE
	KL50-Y007CVKT	HOT VALVE ASSEMBLY – ¼ TURN – CERAMIC – WITH HANDLE
3	KL50-Y006	COLD VALVE ASSEMBLY – ¼ TURN – COMPRESSION
	KL50-Y006-CCV	COLD VALVE ASSEMBLY – ¼ TURN – CERAMIC
	KL50-Y006-KT	COLD VALVE ASSEMBLY – ¼ TURN – COMPRESSION – WITH HANDLE
	KL50-Y006CVKT	COLD VALVE ASSEMBLY – ¼ TURN – CERAMIC – WITH HANDLE
4	K50-0110	LEVER HANDLE REPLACEMENT KIT W/SCREW
5	K50-0001	WRIST BLADE HANDLES, PAIR, 4"
	K50-0001-6	WRIST BLADE HANDLES, PAIR, 6"
6	KL50-X075	RIGID TO SWIVEL ADAPTER
7	KL50-Y026	SWING NOZZLE, 180 DEGREE
8	KL50-X137	VACUUM BREAKER, 3/8"
9	KL50-X128	HOSE ADAPTER, 3/8"
	KL50-Y004-20	HOSE ASSEMBLY WITH GRIP – 20"
	KL50-Y004-26	HOSE ASSEMBLY WITH GRIP – 26"
	KL50-Y004-36	HOSE ASSEMBLY WITH GRIP – 36"
	KL50-Y004-44	HOSE ASSEMBLY WITH GRIP – 44"
	KL50-Y004-60	HOSE ASSEMBLY WITH GRIP – 60"
	KL50-Y004-72	HOSE ASSEMBLY WITH GRIP – 72"
	KL50-Y004-96	HOSE ASSEMBLY WITH GRIP – 96"
	10	KL50-Y010-20Z
KL50-Y010-26Z		HOSE ASSEMBLY ONLY – 26"
KL50-Y010-36Z		HOSE ASSEMBLY ONLY – 36"
KL50-Y010-44Z		HOSE ASSEMBLY ONLY – 44"
KL50-Y010-60Z		HOSE ASSEMBLY ONLY – 60"
KL50-Y010-72Z		HOSE ASSEMBLY ONLY – 72"
KL50-Y010-96Z	HOSE ASSEMBLY ONLY – 96"	
11	KN50-X025-Z	GRIP
12	KL50-Y031-Z	HOOKEED SPRAY VALVE ASSEMBLY
13	KL50-Y027	BUTTON VALVE ASSEMBLY
14	K50-Y012-Z	WALL HOOK
15	KL60-Y013	COUPLING ASSEMBLY



DECK MOUNT SWIVEL ARM PRE-RINSE UNITS – ELEVATED BRIDGE – 8" O.C. K60-50xx • KL60-50xx SERIES

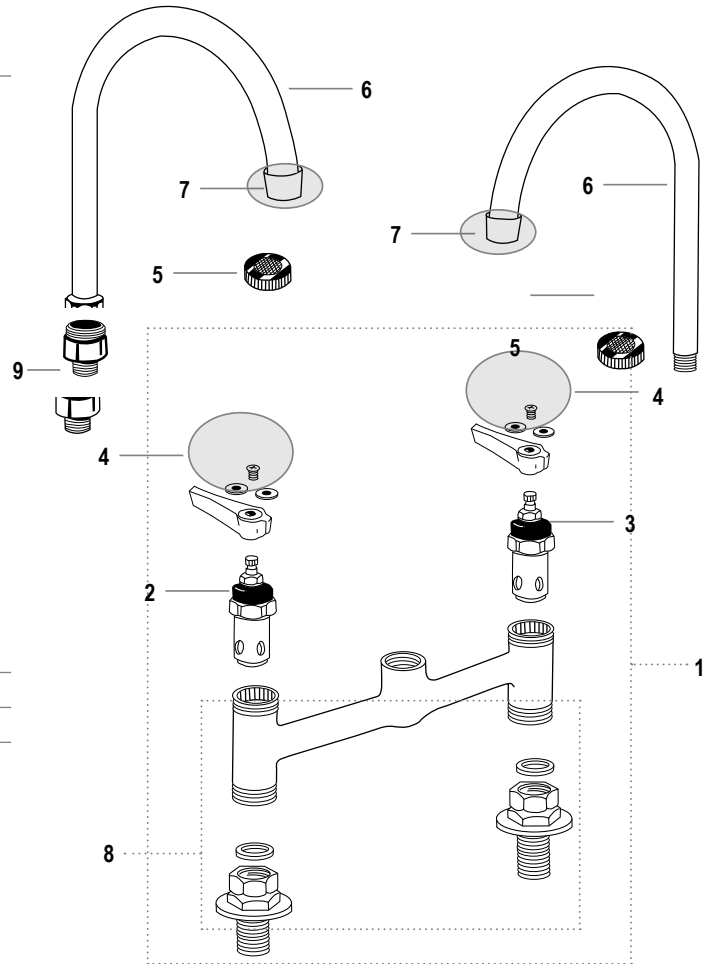


1	KL60-Y001	FAUCET BODY ASSEMBLY
2	KL50-Y007	HOT VALVE ASSEMBLY – ¼ TURN – COMPRESSION
	KL50-Y007-CCV	HOT VALVE ASSEMBLY – ¼ TURN – CERAMIC
	KL50-Y007-KT	HOT VALVE ASSEMBLY – ¼ TURN – COMPRESSION – WITH HANDLE
	KL50-Y007CVKT	HOT VALVE ASSEMBLY – ¼ TURN – CERAMIC – WITH HANDLE
3	KL50-Y006	COLD VALVE ASSEMBLY – ¼ TURN – COMPRESSION
	KL50-Y006-CCV	COLD VALVE ASSEMBLY – ¼ TURN – CERAMIC
	KL50-Y006-KT	COLD VALVE ASSEMBLY – ¼ TURN – COMPRESSION – WITH HANDLE
	KL50-Y006CVKT	COLD VALVE ASSEMBLY – ¼ TURN – CERAMIC – WITH HANDLE
4	K50-0110	LEVER HANDLE REPLACEMENT KIT W/SCREW
	K50-0001	WRIST BLADE HANDLES, PAIR, 4"
	K50-0001-6	WRIST BLADE HANDLES, PAIR, 6"
5	KL50-X153-26	RISER, 26"
	KL50-X153-32	RISER, 32"
6	K50-Y011	HOOK/SCREW ASSEMBLY
7	K50-Y020-Z	WALL BRACKET ASSEMBLY
8	KL50-Y050-12	SWIVEL ARM ASSEMBLY, 12"
	KL50-Y050-18	SWIVEL ARM ASSEMBLY, 18"
9	K50-Y500-Z	SWIVEL ARM BRACKET
10	KL50-Y004-20	HOSE ASSEMBLY WITH GRIP – 20"
	KL50-Y004-26	HOSE ASSEMBLY WITH GRIP – 26"
	KL50-Y004-36	HOSE ASSEMBLY WITH GRIP – 36"
	KL50-Y004-44	HOSE ASSEMBLY WITH GRIP – 44"
	KL50-Y004-60	HOSE ASSEMBLY WITH GRIP – 60"
	KL50-Y004-72	HOSE ASSEMBLY WITH GRIP – 72"
	KL50-Y004-96	HOSE ASSEMBLY WITH GRIP – 96"
11	KL50-Y010-20Z	HOSE ASSEMBLY ONLY – 20"
	KL50-Y010-26Z	HOSE ASSEMBLY ONLY – 26"
	KL50-Y010-36	HOSE ASSEMBLY ONLY – 36"
	KL50-Y010-44Z	HOSE ASSEMBLY ONLY – 44"
	KL50-Y010-60Z	HOSE ASSEMBLY ONLY – 60"
	KL50-Y010-72Z	HOSE ASSEMBLY ONLY – 72"
	KL50-Y010-96Z	HOSE ASSEMBLY ONLY – 96"
12	KN50-X025-Z	GRIP
13	KL50-Y002-065	PRE-RINSE SPRAY ASSEMBLY – .65 GPM
	KL50-Y00212XZ	PRE-RINSE SPRAY ASSEMBLY – 1.2 GPM
	KL50-Y00216XZ	PRE-RINSE SPRAY ASSEMBLY – 1.6 GPM
14	KL50-Y027	BUTTON VALVE ASSEMBLY
15	KL50-0200-16	SPRAY HEAD REPAIR KIT 1.6 GPM – INCLUDES BUTTON VALVE ASSY
16	KN50-X135	WATER SAVER FACE PLATE – 1.6 GPM
	KN50-X135-12	WATER SAVER FACE PLATE – 1.2 GPM
	KN50-X135-065	WATER SAVER FACE PLATE – .65 GPM
17	KL60-Y013	COUPLING ASSEMBLY
18	KL50-Y051	SWIVEL JOINT

DECK MOUNT ELEVATED BRIDGE FAUCETS – 8" O.C. – GOOSENECK SPOUTS

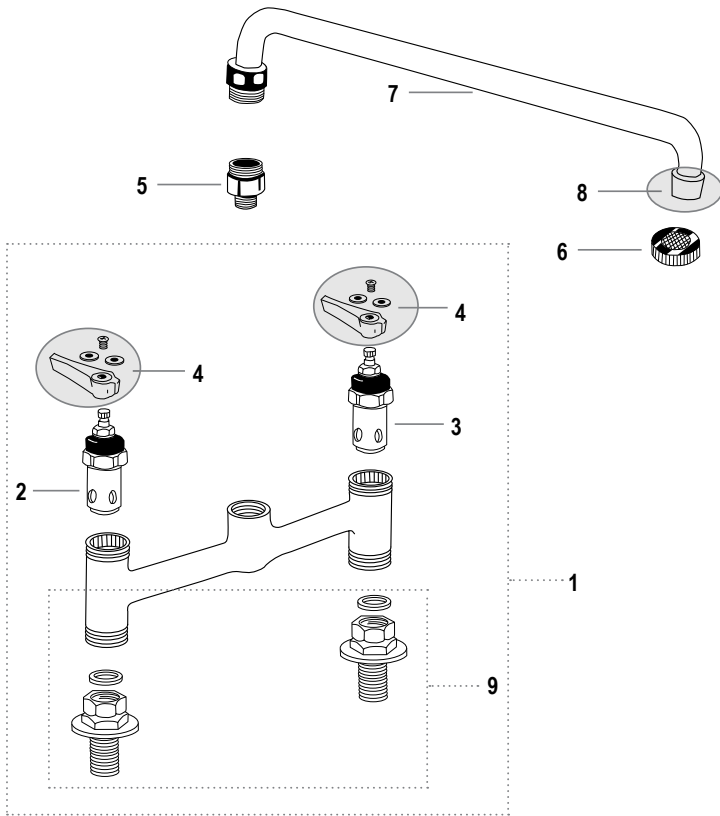
KN61-8000 • KL61-8000 SERIES

1	KL61-Y001	FAUCET BODY ASSEMBLY
2	KL50-Y007	HOT VALVE ASSEMBLY – ¼ TURN – COMPRESSION
	KL50-Y007-CCV	HOT VALVE ASSEMBLY – ¼ TURN – CERAMIC
	KL50-Y007-KT	HOT VALVE ASSEMBLY – ¼ TURN – COMPRESSION – WITH HANDLE
	KL50-Y007-CVKT	HOT VALVE ASSEMBLY – ¼ TURN – CERAMIC – WITH HANDLE
3	KL50-Y006	COLD VALVE ASSEMBLY – ¼ TURN – COMPRESSION
	KL50-Y006-CCV	COLD VALVE ASSEMBLY – ¼ TURN – CERAMIC
	KL50-Y006-KT	COLD VALVE ASSEMBLY – ¼ TURN – COMPRESSION – WITH HANDLE
	KL50-Y006-CVKT	COLD VALVE ASSEMBLY – ¼ TURN – CERAMIC – WITH HANDLE
4	K50-0110	LEVER HANDLE REPLACEMENT KIT W/SCREW
	K50-0001	WRIST BLADE HANDLES, PAIR, 4"
	K50-0001-6	WRIST BLADE HANDLES, PAIR, 6"
5	KL50-X132	STREAM REGULATOR SCREEN
6	KS11-12-X000	GOOSENECK SPOUT, 3" ADJUSTABLE
	KS11-12-X002	GOOSENECK SPOUT, 6" ADJUSTABLE
	KS11-12-X001	GOOSENECK SPOUT, 8" ADJUSTABLE
	KS11-12-X100	GOOSENECK SPOUT, 3" RIGID
	KS11-12-X102	GOOSENECK SPOUT, 6" RIGID
	KS11-12-X101	GOOSENECK SPOUT, 8" RIGID
	7	KN50-X120
KN50-X201		AERATOR 55/64 STREAM FEMALE 2.2 GPM VANDAL RESISTANT
KN50-X120-F		AERATOR 55/64 STREAM FEMALE 1.5 GPM ANTI-MICROBIAL
KN50-X201-F		AERATOR 55/64 LAMINAR FEMALE 1.5 GPM VANDAL RESISTANT ANTI-MICROBIAL
KN50-X120-A		AERATOR 55/64 STREAM FEMALE .5 GPM
KN50-X235-F		AERATOR 55/64 PC SPRAY FEMALE .35 GPM
KN50-X335-F		AERATOR 55/64 PC SPRAY .35 GPM FEMALE VANDAL RESISTANT
KN50-X201-A		AERATOR 55/64 PC SPRAY FEMALE .5 GPM VANDAL RESISTANT
KN50-X120-M		AERATOR 55/64 PC SPRAY FEMALE 1.0 GPM
KN50-X120S-06		AERATOR 55/64 ROSE SPRAY FEMALE 6.0 GPM
KN50-X203-F		AERATOR 15/16 LAMINAR FEMALE 1.5 GPM VANDAL RESISTANT ANTI-MICROBIAL
KN50-X203-A		AERATOR 15/16 PC SPRAY FEMALE .5 GPM VANDAL RESISTANT
KN50-X203		AERATOR 15/16 STREAM FEMALE 2.2 GPM VANDAL RESISTANT
KN50-X121		AERATOR 15/16 STREAM FEMALE 2.2 GPM
KN50-X121-A		AERATOR 15/16 PC SPRAY FEMALE .5 GPM
KN50-X121-F		AERATOR 15/16 LAMINAR FEMALE 1.5 ANTI-MICROBIAL
8	KL60-Y013	COUPLING ASSEMBLY
9	KL50-X122	BUSHING FOR RIGID SPOUT



DECK MOUNT ELEVATED BRIDGE FAUCETS – 8" O.C. – SWING SPOUTS

KN61-8000 • KL61-8000 SERIES

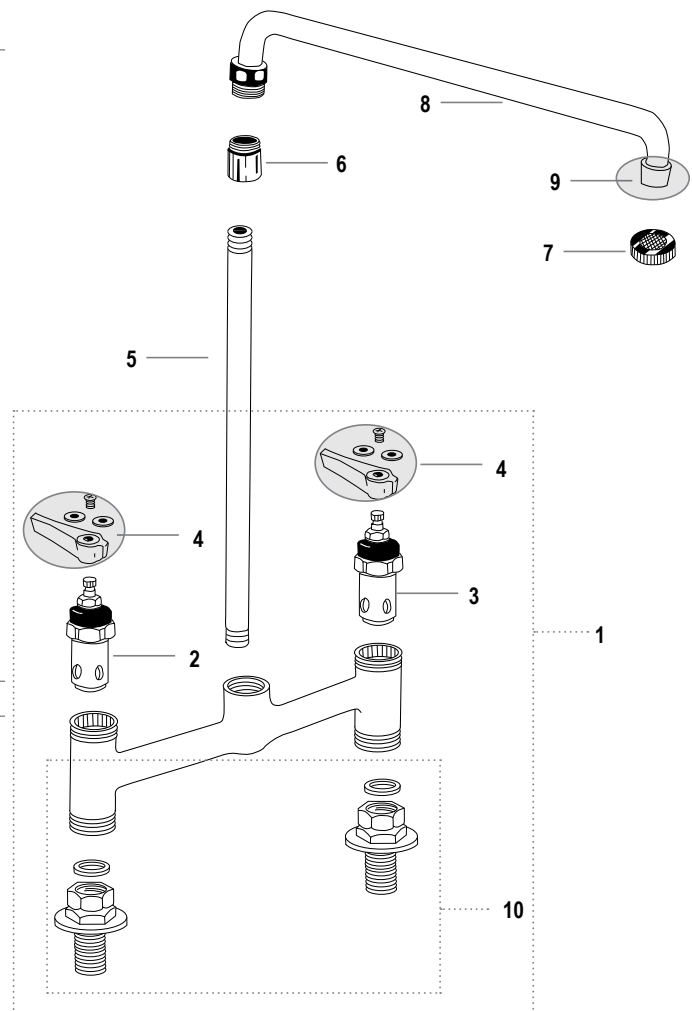


1	KL61-Y001	FAUCET BODY ASSEMBLY
2	KL50-Y007	HOT VALVE ASSEMBLY – ¼ TURN – COMPRESSION
	KL50-Y007-CCV	HOT VALVE ASSEMBLY – ¼ TURN – CERAMIC
	KL50-Y007-KT	HOT VALVE ASSEMBLY – ¼ TURN – COMPRESSION – WITH HANDLE
	KL50-Y007-CVKT	HOT VALVE ASSEMBLY – ¼ TURN – CERAMIC – WITH HANDLE
3	KL50-Y006	COLD VALVE ASSEMBLY – ¼ TURN – COMPRESSION
	KL50-Y006-CCV	COLD VALVE ASSEMBLY – ¼ TURN – CERAMIC
	KL50-Y006-KT	COLD VALVE ASSEMBLY – ¼ TURN – COMPRESSION – WITH HANDLE
	KL50-Y006-CVKT	COLD VALVE ASSEMBLY – ¼ TURN – CERAMIC – WITH HANDLE
4	K50-0110	LEVER HANDLE REPLACEMENT KIT W/SCREW
4	K50-0001	WRIST BLADE HANDLES, PAIR, 4"
	K50-0001-6	WRIST BLADE HANDLES, PAIR, 6"
5	KL50-X075	RIGID TO SWING ADAPTER
6	KL50-X132	STREAM REGULATOR SCREEN
7	KS11-12-X006	TUBULAR SWING SPOUT, S/S, 6"
	KS11-12-X008	TUBULAR SWING SPOUT, S/S, 8"
	KS11-12-X010	TUBULAR SWING SPOUT, S/S, 10"
	KS11-12-X012	TUBULAR SWING SPOUT, S/S, 12"
	KS11-12-X112	TUBULAR SWING SPOUT, S/S, 12" (FOR JOINTED APPLICATIONS ONLY)
	KS11-12-X014	TUBULAR SWING SPOUT, S/S, 14"
	KS11-12-X016	TUBULAR SWING SPOUT, S/S, 16"
	KS11-12-X18A	TUBULAR SWING SPOUT, S/S, 18"
	8	KN50-X120
KN50-X201		AERATOR 55/64 STREAM FEMALE 2.2 GPM VANDAL RESISTANT
KN50-X120-F		AERATOR 55/64 STREAM FEMALE 1.5 GPM ANTI-MICROBIAL
KN50-X201-F		AERATOR 55/64 LAMINAR FEMALE 1.5 GPM VANDAL RESISTANT ANTI-MICROBIAL
KN50-X120-A		AERATOR 55/64 STREAM FEMALE .5 GPM
KN50-X235-F		AERATOR 55/64 PC SPRAY FEMALE .35 GPM
KN50-X335-F		AERATOR 55/64 PC SPRAY .35 GPM FEMALE VANDAL RESISTANT
KN50-X201-A		AERATOR 55/64 PC SPRAY FEMALE .5 GPM VANDAL RESISTANT
KN50-X120-M		AERATOR 55/64 PC SPRAY FEMALE 1.0 GPM
KN50-X120S-06		AERATOR 55/64 ROSE SPRAY FEMALE 6.0 GPM
KN50-X203-F		AERATOR 15/16 LAMINAR FEMALE 1.5 GPM VANDAL RESISTANT ANTI-MICROBIAL
KN50-X203-A		AERATOR 15/16 PC SPRAY FEMALE .5 GPM VANDAL RESISTANT
KN50-X203		AERATOR 15/16 STREAM FEMALE 2.2 GPM VANDAL RESISTANT
KN50-X121		AERATOR 15/16 STREAM FEMALE 2.2 GPM
KN50-X121-A		AERATOR 15/16 PC SPRAY FEMALE .5 GPM
KN50-X121-F	AERATOR 15/16 LAMINAR FEMALE 1.5 ANTI-MICROBIAL	
KN50-X305-A	AERATOR 13/16-27 PC SPRAY FEMALE .5GPM VANDAL RESISTANT	
9	KL60-Y013	COUPLING ASSEMBLY

DECK MOUNT ELEVATED BRIDGE FAUCETS – 8” O.C. – ELEVATED SWING SPOUTS

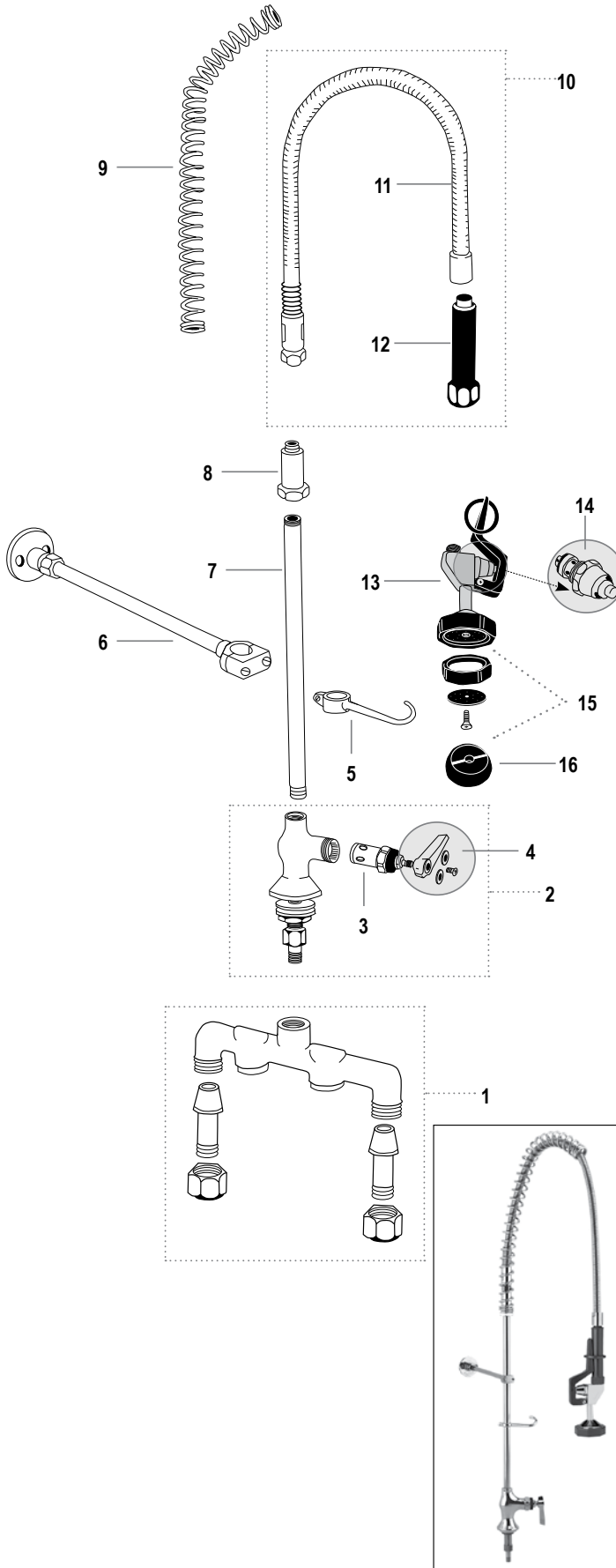
KN62-8000 • KL62-8000 SERIES

1	KL60-Y001	FAUCET BODY ASSEMBLY
2	KL50-Y007	HOT VALVE ASSEMBLY – ¼ TURN – COMPRESSION
	KL50-Y007-CCV	HOT VALVE ASSEMBLY – ¼ TURN – CERAMIC
	KL50-Y007-KT	HOT VALVE ASSEMBLY – ¼ TURN – COMPRESSION – WITH HANDLE
	KL50-Y007-CVKT	HOT VALVE ASSEMBLY – ¼ TURN – CERAMIC – WITH HANDLE
3	KL50-Y006	COLD VALVE ASSEMBLY – ¼ TURN – COMPRESSION
	KL50-Y006-CCV	COLD VALVE ASSEMBLY – ¼ TURN – CERAMIC
	KL50-Y006-KT	COLD VALVE ASSEMBLY – ¼ TURN – COMPRESSION – WITH HANDLE
	KL50-Y006-CVKT	COLD VALVE ASSEMBLY – ¼ TURN – CERAMIC – WITH HANDLE
4	K50-0110	LEVER HANDLE REPLACEMENT KIT W/SCREW
	K50-0001	WRIST BLADE HANDLES, PAIR, 4”
	K50-0001-6	WRIST BLADE HANDLES, PAIR, 6”
5	KL50-X077	RISER, 18”
6	KL50-X076	RISER TO SPOUT ADAPTER
7	KL50-X132	STREAM REGULATOR SCREEN
8	KS11-12-X006	TUBULAR SWING SPOUT, S/S, 6”
	KS11-12-X008	TUBULAR SWING SPOUT, S/S, 8”
	KS11-12-X010	TUBULAR SWING SPOUT, S/S, 10”
	KS11-12-X012	TUBULAR SWING SPOUT, S/S, 12”
	KS11-12-X112	TUBULAR SWING SPOUT, S/S, 12” (FOR JOINTED APPLICATIONS ONLY)
	KS11-12-X014	TUBULAR SWING SPOUT, S/S, 14”
	KS11-12-X016	TUBULAR SWING SPOUT, S/S, 16”
	KS11-12-X18A	TUBULAR SWING SPOUT, S/S, 18”
9	KN50-X120	AERATOR 55/64 STREAM FEMALE 2.2 GPM
	KN50-X201	AERATOR 55/64 STREAM FEMALE 2.2 GPM VANDAL RESISTANT
	KN50-X120-F	AERATOR 55/64 STREAM FEMALE 1.5 GPM ANTI-MICROBIAL
	KN50-X201-F	AERATOR 55/64 LAMINAR FEMALE 1.5 GPM VANDAL RESISTANT ANTI-MICROBIAL
	KN50-X120-A	AERATOR 55/64 STREAM FEMALE .5 GPM
	KN50-X235-F	AERATOR 55/64 PC SPRAY FEMALE .35 GPM
	KN50-X335-F	AERATOR 55/64 PC SPRAY .35 GPM FEMALE VANDAL RESISTANT
	KN50-X201-A	AERATOR 55/64 PC SPRAY FEMALE .5 GPM VANDAL RESISTANT
	KN50-X120-M	AERATOR 55/64 PC SPRAY FEMALE 1.0 GPM
	KN50-X120S-06	AERATOR 55/64 ROSE SPRAY FEMALE 6.0 GPM
	KN50-X203-F	AERATOR 15/16 LAMINAR FEMALE 1.5 GPM VANDAL RESISTANT ANTI-MICROBIAL
	KN50-X203-A	AERATOR 15/16 PC SPRAY FEMALE .5 GPM VANDAL RESISTANT
	KN50-X203	AERATOR 15/16 STREAM FEMALE 2.2 GPM VANDAL RESISTANT
	KN50-X121	AERATOR 15/16 STREAM FEMALE 2.2 GPM
	KN50-X121-A	AERATOR 15/16 PC SPRAY FEMALE .5 GPM
	KN50-X121-F	AERATOR 15/16 LAMINAR FEMALE 1.5 ANTI-MICROBIAL
	KN50-X305-A	AERATOR 13/16-27 PC SPRAY FEMALE .5GPM VANDAL RESISTANT
10	KL60-Y013	COUPLING ASSEMBLY



DECK MOUNT PRE-RINSE UNITS

KN63-1000 • KL63-1000 SERIES



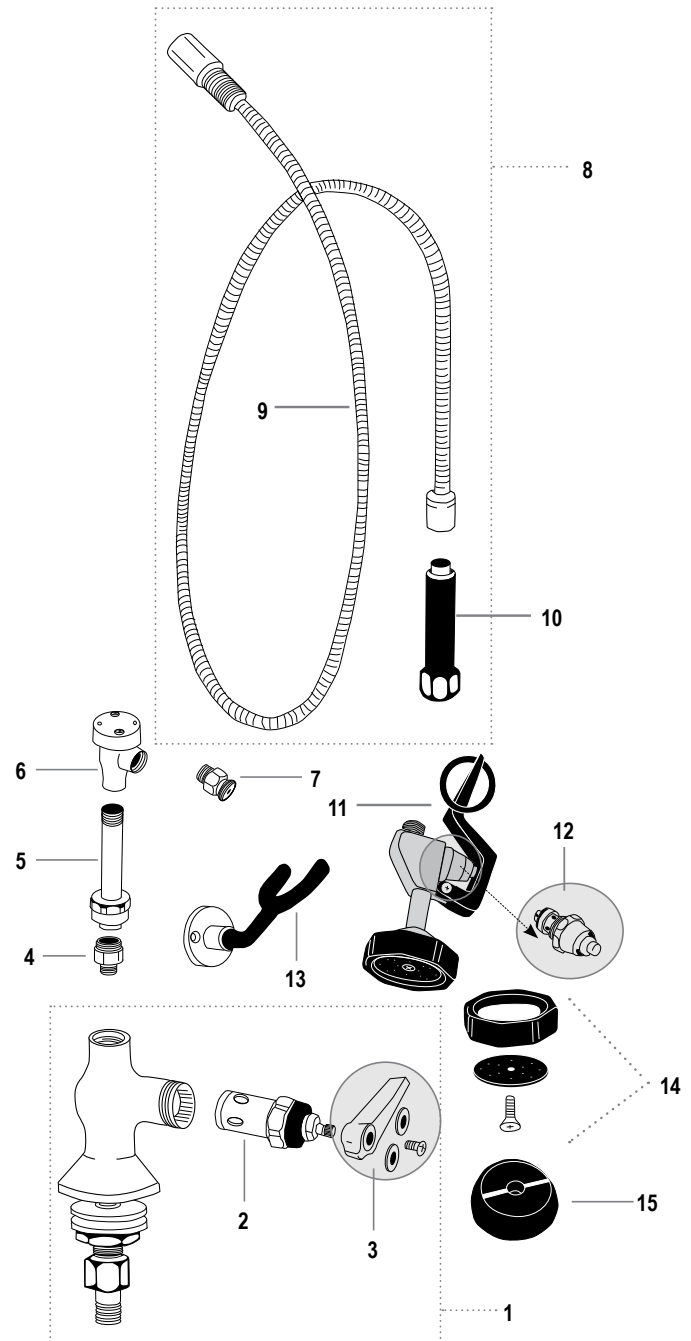
1	KL63-Y005	MIXING VALVE
2	KL63-Y001-XZ	FAUCET BODY ASSEMBLY
3	KL50-Y007	HOT VALVE ASSEMBLY – ¼ TURN – COMPRESSION
	KL50-Y007-CCV	HOT VALVE ASSEMBLY – ¼ TURN – CERAMIC
	KL50-Y007-KT	HOT VALVE ASSEMBLY – ¼ TURN – COMPRESSION – WITH HANDLE
4	KL50-Y007CVKT	HOT VALVE ASSEMBLY – ¼ TURN – CERAMIC – WITH HANDLE
	K50-0110	LEVER HANDLE REPLACEMENT KIT W/SCREW
5	K50-0001	WRIST BLADE HANDLES, PAIR, 4"
	K50-0001-6	WRIST BLADE HANDLES, PAIR, 6"
6	K50-Y011	HOOK/SCREW ASSEMBLY
7	K50-Y020-Z	WALL BRACKET ASSEMBLY
8	KL50-X077	RISER, 18"
	KL50-X029	RISER, 24"
9	KL50-X032	SPRING RETAINER
10	K50-X033	SPRING
	K50-X178	SPRING, STAINLESS STEEL
11	KL50-Y004-20	HOSE ASSEMBLY WITH GRIP – 20"
	KL50-Y004-26	HOSE ASSEMBLY WITH GRIP – 26"
	KL50-Y004-36	HOSE ASSEMBLY WITH GRIP – 36"
	KL50-Y004-44	HOSE ASSEMBLY WITH GRIP – 44"
	KL50-Y004-60	HOSE ASSEMBLY WITH GRIP – 60"
	KL50-Y004-72	HOSE ASSEMBLY WITH GRIP – 72"
12	KL50-Y004-96	HOSE ASSEMBLY WITH GRIP – 96"
	KL50-Y010-20Z	HOSE ASSEMBLY ONLY – 20"
	KL50-Y010-26Z	HOSE ASSEMBLY ONLY – 26"
	KL50-Y010-36	HOSE ASSEMBLY ONLY – 36"
13	KL50-Y010-44Z	HOSE ASSEMBLY ONLY – 44"
	KL50-Y010-60Z	HOSE ASSEMBLY ONLY – 60"
	KL50-Y010-72Z	HOSE ASSEMBLY ONLY – 72"
	KL50-Y010-96Z	HOSE ASSEMBLY ONLY – 96"
14	KN50-X025-Z	GRIP
15	KL50-Y00212XZ	PRE-RINSE SPRAY ASSEMBLY – 1.2 GPM
	KL50-Y00216XZ	PRE-RINSE SPRAY ASSEMBLY – 1.6 GPM
	KL50-Y002-GF	GLASS FILLER ASSEMBLY – 3.3 GPM (NOT SHOWN)
16	KL50-Y027	BUTTON VALVE ASSEMBLY
17	KL50-0200-16	SPRAY HEAD REPAIR KIT 1.6 GPM – INCLUDES BUTTON VALVE ASSY
18	KN50-X135	WATER SAVER FACE PLATE – 1.6 GPM
	KN50-X135-12	WATER SAVER FACE PLATE – 1.2 GPM
	KN50-X135-065	WATER SAVER FACE PLATE - .65 GPM

NOTE: FOR ADD-ON FAUCET, REFER TO PAGE _____.

DECK MOUNT UTILITY SPRAY UNITS

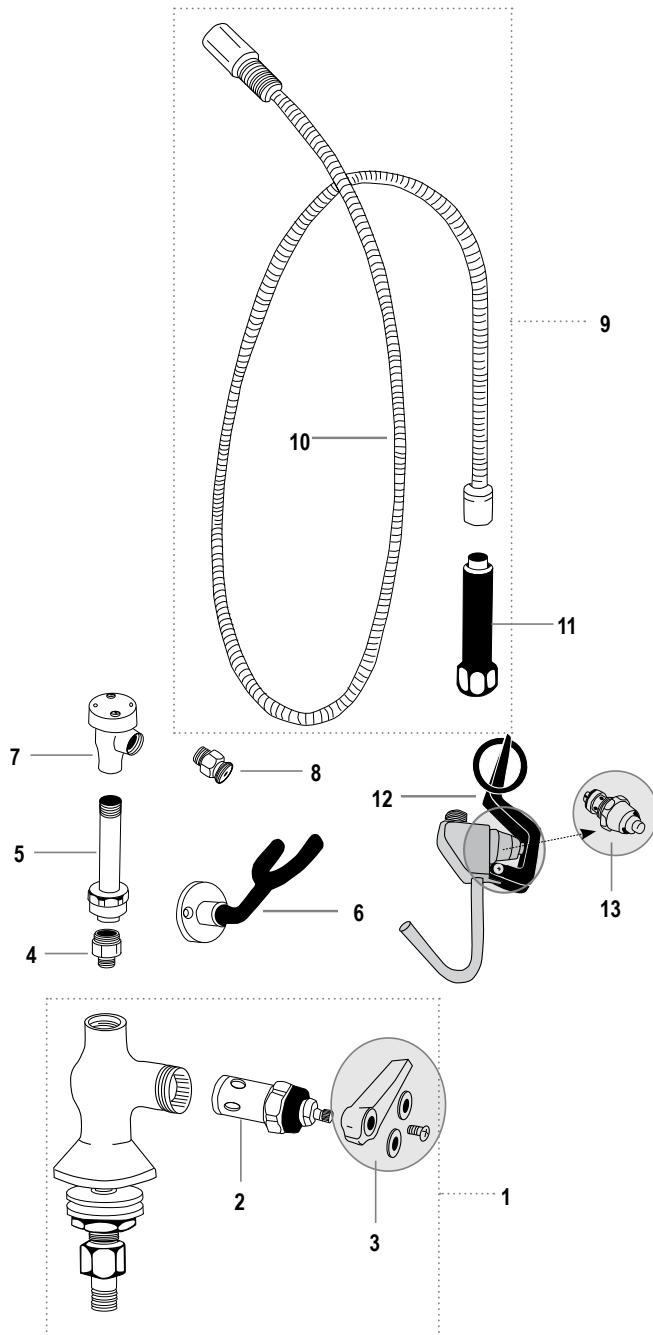
KN63-2000 • KL63-2000 SERIES

1	KL64-Y001	FAUCET BODY ASSEMBLY
2	KL50-Y007	HOT VALVE ASSEMBLY – ¼ TURN – COMPRESSION
	KL50-Y007-CCV	HOT VALVE ASSEMBLY – ¼ TURN – CERAMIC
	KL50-Y007-KT	HOT VALVE ASSEMBLY – ¼ TURN – COMPRESSION – WITH HANDLE
	KL50-Y007CVKT	HOT VALVE ASSEMBLY – ¼ TURN – CERAMIC – WITH HANDLE
3	K50-0110	LEVER HANDLE REPLACEMENT KIT W/SCREW
	K50-0001	WRIST BLADE HANDLES, PAIR, 4"
	K50-0001-6	WRIST BLADE HANDLES, PAIR, 6"
4	KL50-X075	RIGID TO SWIVEL ADAPTER
5	KL50-Y026	SWING NOZZLE, 180 DEGREE
6	KL50-X137	VACUUM BREAKER, 3/8"
7	KL50-X128	HOSE ADAPTER, 3/8"
8	KL50-Y004-20	HOSE ASSEMBLY WITH GRIP – 20"
	KL50-Y004-26	HOSE ASSEMBLY WITH GRIP – 26"
	KL50-Y004-36	HOSE ASSEMBLY WITH GRIP – 36"
	KL50-Y004-44	HOSE ASSEMBLY WITH GRIP – 44"
	KL50-Y004-60	HOSE ASSEMBLY WITH GRIP – 60"
	KL50-Y004-72	HOSE ASSEMBLY WITH GRIP – 72"
	KL50-Y004-96	HOSE ASSEMBLY WITH GRIP – 96"
9	KL50-Y010-20Z	HOSE ASSEMBLY ONLY – 20"
	KL50-Y010-26Z	HOSE ASSEMBLY ONLY – 26"
	KL50-Y010-36	HOSE ASSEMBLY ONLY – 36"
	KL50-Y010-44Z	HOSE ASSEMBLY ONLY – 44"
	KL50-Y010-60Z	HOSE ASSEMBLY ONLY – 60"
	KL50-Y010-72Z	HOSE ASSEMBLY ONLY – 72"
	KL50-Y010-96Z	HOSE ASSEMBLY ONLY – 96"
10	KN50-X025-Z	GRIP
11	KL50-Y030-Z	ANGLED SPRAY VALVE ASSEMBLY
12	KL50-Y027	BUTTON VALVE ASSEMBLY
13	K50-Y012-Z	WALL HOOK
14	KL50-0200-16	SPRAY HEAD REPAIR KIT 1.6 GPM – INCLUDES BUTTON VALVE ASSY
	KL50-0200	SPRAY HEAD REPAIR KIT 3.3 GPM – INCLUDES BUTTON VALVE ASSY
15	KN50-X065-B	WATER SAVER FACE PLATE – 3.3 GPM
	KN50-X135	WATER SAVER FACE PLATE – 1.6 GPM
	KN50-X135-12	WATER SAVER FACE PLATE – 1.2 GPM
	KN50-X135-065	WATER SAVER FACE PLATE – .65 GPM



DECK MOUNT POT FILLER UNITS

KN63-3000 • KL63-3000 SERIES



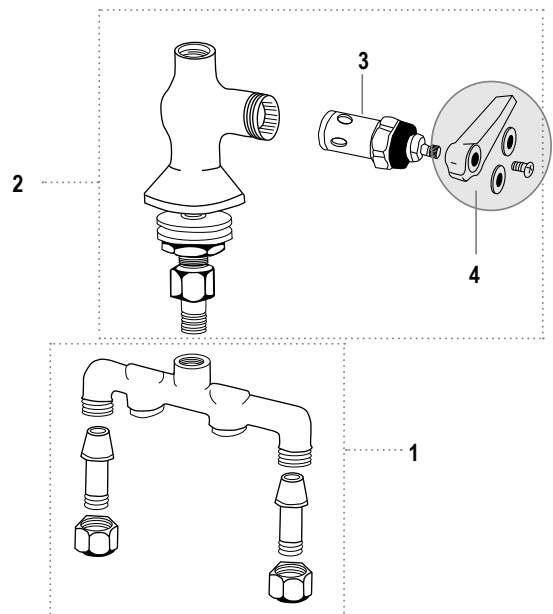
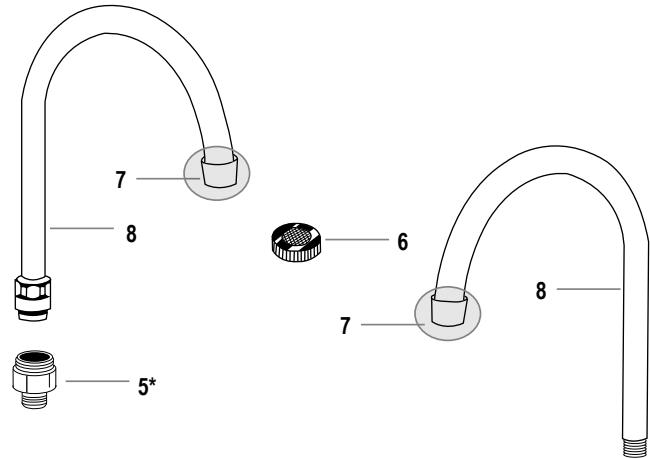
1	KL64-Y001	FAUCET BODY ASSEMBLY
2	KL50-Y007	HOT VALVE ASSEMBLY – ¼ TURN – COMPRESSION
	KL50-Y007-CCV	HOT VALVE ASSEMBLY – ¼ TURN – CERAMIC
	KL50-Y007-KT	HOT VALVE ASSEMBLY – ¼ TURN – COMPRESSION – WITH HANDLE
	KL50-Y007CVKT	HOT VALVE ASSEMBLY – ¼ TURN – CERAMIC – WITH HANDLE
3	K50-0110	LEVER HANDLE REPLACEMENT KIT W/SCREW
	K50-0001	WRIST BLADE HANDLES, PAIR, 4"
	K50-0001-6	WRIST BLADE HANDLES, PAIR, 6"
4	KL50-X075	RIGID TO SWIVEL ADAPTER
5	KL50-Y026	SWING NOZZLE, 180 DEGREE
6	K50-Y012-Z	WALL HOOK
7	KL50-X137	VACUUM BREAKER, 3/8"
8	KL50-X128	HOSE ADAPTER, 3/8"
9	KL50-Y004-20	HOSE ASSEMBLY WITH GRIP – 20"
	KL50-Y004-26	HOSE ASSEMBLY WITH GRIP – 26"
	KL50-Y004-36	HOSE ASSEMBLY WITH GRIP – 36"
	KL50-Y004-44	HOSE ASSEMBLY WITH GRIP – 44"
	KL50-Y004-60	HOSE ASSEMBLY WITH GRIP – 60"
	KL50-Y004-72	HOSE ASSEMBLY WITH GRIP – 72"
	KL50-Y004-96	HOSE ASSEMBLY WITH GRIP – 96"
10	KL50-Y010-20Z	HOSE ASSEMBLY ONLY – 20"
	KL50-Y010-26Z	HOSE ASSEMBLY ONLY – 26"
	KL50-Y010-36	HOSE ASSEMBLY ONLY – 36"
	KL50-Y010-44Z	HOSE ASSEMBLY ONLY – 44"
	KL50-Y010-60Z	HOSE ASSEMBLY ONLY – 60"
	KL50-Y010-72Z	HOSE ASSEMBLY ONLY – 72"
	KL50-Y010-96Z	HOSE ASSEMBLY ONLY – 96"
11	KN50-X025-Z	GRIP
12	KL50-Y031-Z	HOOKEED SPRAY VALVE ASSEMBLY
13	KL50-Y027	BUTTON VALVE ASSEMBLY

DECK MOUNT FAUCETS – GOOSENECK SPOUTS

KN64-9000 • KL64-9000 SERIES

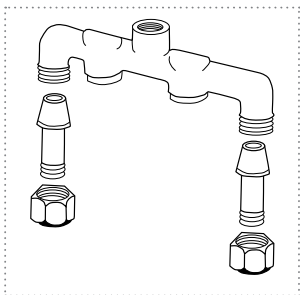
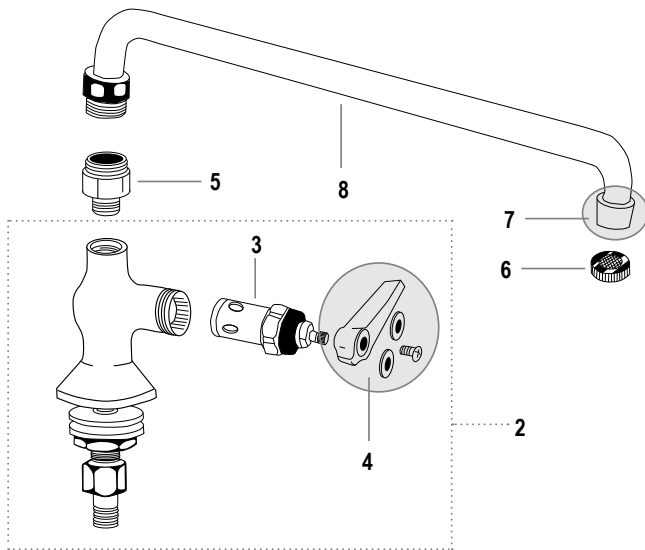
1	KL63-Y005	MIXING VALVE	
2	KL64-Y001	FAUCET BODY ASSEMBLY	
3	KL50-Y007	HOT VALVE ASSEMBLY – ¼ TURN – COMPRESSION	
	KL50-Y007-CCV	HOT VALVE ASSEMBLY – ¼ TURN – CERAMIC	
	KL50-Y007-KT	HOT VALVE ASSEMBLY – ¼ TURN – COMPRESSION – WITH HANDLE	
	KL50-Y007CVKT	HOT VALVE ASSEMBLY – ¼ TURN – CERAMIC – WITH HANDLE	
4	K50-0110	LEVER HANDLE REPLACEMENT KIT W/SCREW	
	K50-0001	WRIST BLADE HANDLES, PAIR, 4"	
	K50-0001-6	WRIST BLADE HANDLES, PAIR, 6"	
5	KL50-X075	RIGID TO SWING ADAPTER*	
6	KL50-X132	STREAM REGULATOR SCREEN	
7	KN50-X120	AERATOR 55/64 STREAM FEMALE 2.2 GPM	
	KN50-X201	AERATOR 55/64 STREAM FEMALE 2.2 GPM VANDAL RESISTANT	
	KN50-X120-F	AERATOR 55/64 STREAM FEMALE 1.5 GPM ANTI-MICROBIAL	
	KN50-X201-F	AERATOR 55/64 LAMINAR FEMALE 1.5 GPM VANDAL RESISTANT ANTI-MICROBIAL	
	KN50-X120-A	AERATOR 55/64 STREAM FEMALE .5 GPM	
	KN50-X235-F	AERATOR 55/64 PC SPRAY FEMALE .35 GPM	
	KN50-X335-F	AERATOR 55/64 PC SPRAY .35 GPM FEMALE VANDAL RESISTANT	
	KN50-X201-A	AERATOR 55/64 PC SPRAY FEMALE .5 GPM VANDAL RESISTANT	
	KN50-X120-M	AERATOR 55/64 PC SPRAY FEMALE 1.0 GPM	
	KN50-X120S-06	AERATOR 55/64 ROSE SPRAY FEMALE 6.0 GPM	
	KN50-X203-F	AERATOR 15/16 LAMINAR FEMALE 1.5 GPM VANDAL RESISTANT ANTI-MICROBIAL	
	KN50-X203-A	AERATOR 15/16 PC SPRAY FEMALE .5 GPM VANDAL RESISTANT	
	KN50-X203	AERATOR 15/16 STREAM FEMALE 2.2 GPM VANDAL RESISTANT	
	KN50-X121	AERATOR 15/16 STREAM FEMALE 2.2 GPM	
	KN50-X121-A	AERATOR 15/16 PC SPRAY FEMALE .5 GPM	
	KN50-X121-F	AERATOR 15/16 LAMINAR FEMALE 1.5 ANTI-MICROBIAL	
	KN50-X305-A	AERATOR 13/16-27 PC SPRAY FEMALE .5GPM VANDAL RESISTANT	
	8	KS11-12-X000	GOOSENECK SPOUT, 3" ADJUSTABLE
		KS11-12-X002	GOOSENECK SPOUT, 6" ADJUSTABLE
		KS11-12-X001	GOOSENECK SPOUT, 8" ADJUSTABLE
KS11-12-X100		GOOSENECK SPOUT, 3" RIGID	
KS11-12-X102		GOOSENECK SPOUT, 6" RIGID	
KS11-12-X101		GOOSENECK SPOUT, 8" RIGID	

*FOR USE WITH ADJUSTABLE SPOUT



DECK MOUNT FAUCETS – SWING SPOUTS

KN64-9000 • KL64-9000 SERIES

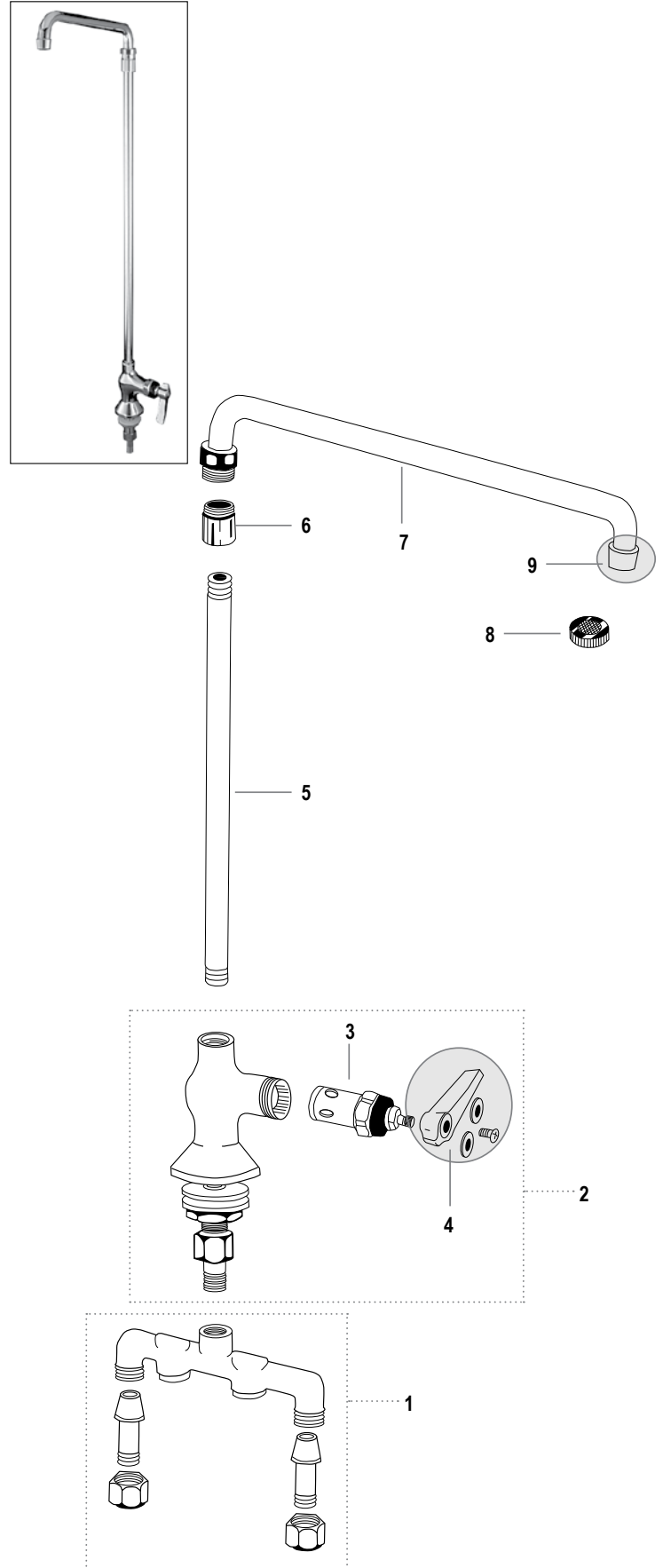


1	KL63-Y005	MIXING VALVE
2	KL64-Y001	FAUCET BODY ASSEMBLY
3	KL50-Y007	HOT VALVE ASSEMBLY – ¼ TURN – COMPRESSION
	KL50-Y007-CCV	HOT VALVE ASSEMBLY – ¼ TURN – CERAMIC
	KL50-Y007-KT	HOT VALVE ASSEMBLY – ¼ TURN – COMPRESSION – WITH HANDLE
	KL50-Y007CVKT	HOT VALVE ASSEMBLY – ¼ TURN – CERAMIC – WITH HANDLE
4	K50-0110	LEVER HANDLE REPLACEMENT KIT W/SCREW
	K50-0001	WRIST BLADE HANDLES, PAIR, 4"
	K50-0001-6	WRIST BLADE HANDLES, PAIR, 6"
5	KL50-X075	RIGID TO SWING ADAPTER
6	KL50-X132	STREAM REGULATOR SCREEN
7	KN50-X120	AERATOR 55/64 STREAM FEMALE 2.2 GPM
	KN50-X201	AERATOR 55/64 STREAM FEMALE 2.2 GPM VANDAL RESISTANT
	KN50-X120-F	AERATOR 55/64 STREAM FEMALE 1.5 GPM ANTI-MICROBIAL
	KN50-X201-F	AERATOR 55/64 LAMINAR FEMALE 1.5 GPM VANDAL RESISTANT ANTI-MICROBIAL
	KN50-X120-A	AERATOR 55/64 STREAM FEMALE .5 GPM
	KN50-X235-F	AERATOR 55/64 PC SPRAY FEMALE .35 GPM
	KN50-X335-F	AERATOR 55/64 PC SPRAY .35 GPM FEMALE VANDAL RESISTANT
	KN50-X201-A	AERATOR 55/64 PC SPRAY FEMALE .5 GPM VANDAL RESISTANT
	KN50-X120-M	AERATOR 55/64 PC SPRAY FEMALE 1.0 GPM
	KN50-X120S-06	AERATOR 55/64 ROSE SPRAY FEMALE 6.0 GPM
	KN50-X203-F	AERATOR 15/16 LAMINAR FEMALE 1.5 GPM VANDAL RESISTANT ANTI-MICROBIAL
	KN50-X203-A	AERATOR 15/16 PC SPRAY FEMALE .5 GPM VANDAL RESISTANT
	KN50-X203	AERATOR 15/16 STREAM FEMALE 2.2 GPM VANDAL RESISTANT
	KN50-X121	AERATOR 15/16 STREAM FEMALE 2.2 GPM
	KN50-X121-A	AERATOR 15/16 PC SPRAY FEMALE .5 GPM
	KN50-X121-F	AERATOR 15/16 LAMINAR FEMALE 1.5 ANTI-MICROBIAL
KN50-X305-A	AERATOR 13/16-27 PC SPRAY FEMALE .5GPM VANDAL RESISTANT	
8	KS11-12-X006	TUBULAR SWING SPOUT, S/S, 6"
	KS11-12-X008	TUBULAR SWING SPOUT, S/S, 8"
	KS11-12-X010	TUBULAR SWING SPOUT, S/S, 10"
	KS11-12-X012	TUBULAR SWING SPOUT, S/S, 12"
	KS11-12-X112	TUBULAR SWING SPOUT, S/S, 12" (FOR JOINTED APPLICATIONS ONLY)
	KS11-12-X014	TUBULAR SWING SPOUT, S/S, 14"
	KS11-12-X016	TUBULAR SWING SPOUT, S/S, 16"
	KS11-12-X18A	TUBULAR SWING SPOUT, S/S, 18"
	KN11-Y406	CAST SPOUT, 6"
	KN11-Y408	CAST SPOUT, 8"

DECK MOUNT FAUCETS – ELEVATED SWING SPOUTS

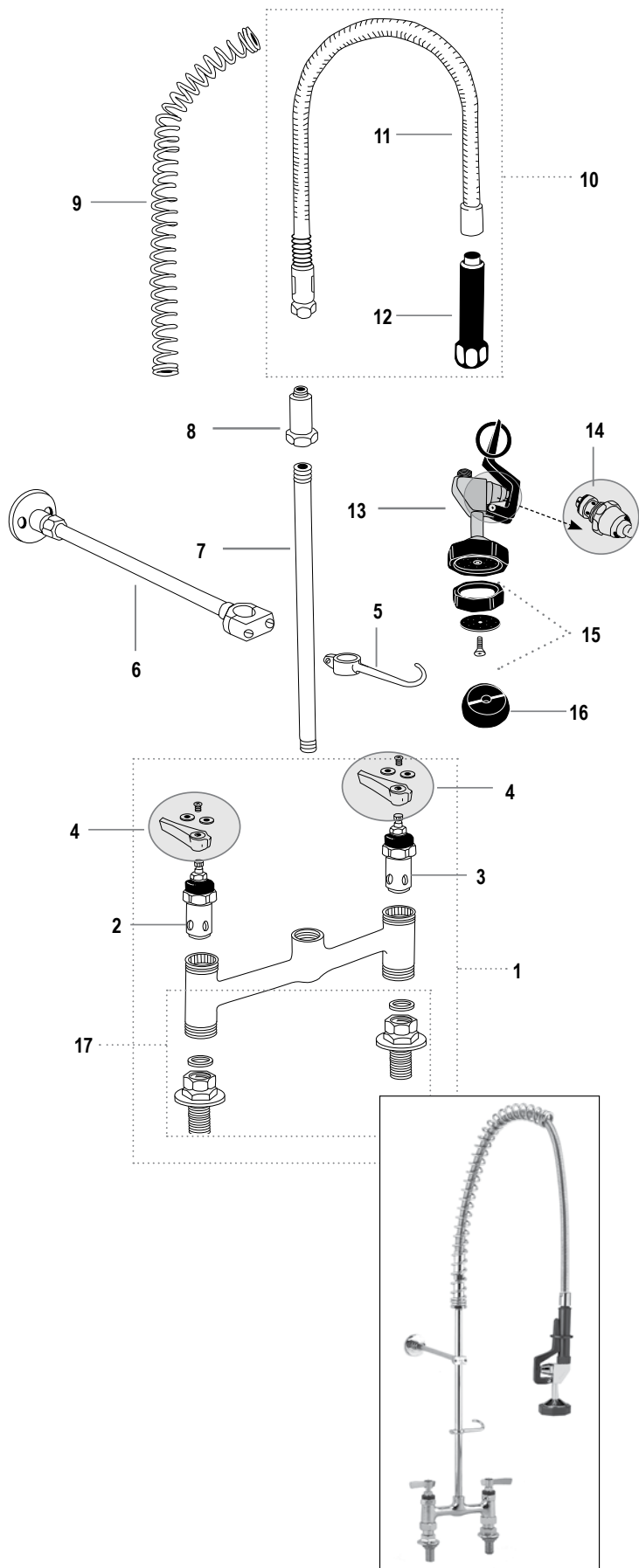
KN65-9000 • KL65-9000 SERIES

1	KL63-Y005	MIXING VALVE
2	KL63-Y001-XZ	FAUCET BODY ASSEMBLY
3	KL50-Y007	HOT VALVE ASSEMBLY – ¼ TURN – COMPRESSION
	KL50-Y007-CCV	HOT VALVE ASSEMBLY – ¼ TURN – CERAMIC
	KL50-Y007-KT	HOT VALVE ASSEMBLY – ¼ TURN – COMPRESSION – WITH HANDLE
	KL50-Y007CVKT	HOT VALVE ASSEMBLY – ¼ TURN – CERAMIC – WITH HANDLE
4	K50-0110	LEVER HANDLE REPLACEMENT KIT W/SCREW
	K50-0001	WRIST BLADE HANDLES, PAIR, 4"
	K50-0001-6	WRIST BLADE HANDLES, PAIR, 6"
5	KL50-X077	RISER, 18"
6	KL50-X076	RISER TO SPOUT ADAPTER
7	KS11-12-X006	TUBULAR SWING SPOUT, S/S, 6"
	KS11-12-X008	TUBULAR SWING SPOUT, S/S, 8"
	KS11-12-X010	TUBULAR SWING SPOUT, S/S, 10"
	KS11-12-X012	TUBULAR SWING SPOUT, S/S, 12"
	KS11-12-X112	TUBULAR SWING SPOUT, S/S, 12" (FOR JOINTED APPLICATIONS ONLY)
	KS11-12-X014	TUBULAR SWING SPOUT, S/S, 14"
	KS11-12-X016	TUBULAR SWING SPOUT, S/S, 16"
	KS11-12-X18A	TUBULAR SWING SPOUT, S/S, 18"
8	KL50-X132	STREAM REGULATOR SCREEN
9	KN50-X120	AERATOR 55/64 STREAM FEMALE 2.2 GPM
	KN50-X201	AERATOR 55/64 STREAM FEMALE 2.2 GPM VANDAL RESISTANT
	KN50-X120-F	AERATOR 55/64 STREAM FEMALE 1.5 GPM ANTI-MICROBIAL
	KN50-X201-F	AERATOR 55/64 LAMINAR FEMALE 1.5 GPM VANDAL RESISTANT ANTI-MICROBIAL
	KN50-X120-A	AERATOR 55/64 STREAM FEMALE .5 GPM
	KN50-X235-F	AERATOR 55/64 PC SPRAY FEMALE .35 GPM
	KN50-X335-F	AERATOR 55/64 PC SPRAY .35 GPM FEMALE VANDAL RESISTANT
	KN50-X201-A	AERATOR 55/64 PC SPRAY FEMALE .5 GPM VANDAL RESISTANT
	KN50-X120-M	AERATOR 55/64 PC SPRAY FEMALE 1.0 GPM
	KN50-X120S-06	AERATOR 55/64 ROSE SPRAY FEMALE 6.0 GPM
	KN50-X203-F	AERATOR 15/16 LAMINAR FEMALE 1.5 GPM VANDAL RESISTANT ANTI-MICROBIAL
	KN50-X203-A	AERATOR 15/16 PC SPRAY FEMALE .5 GPM VANDAL RESISTANT
	KN50-X203	AERATOR 15/16 STREAM FEMALE 2.2 GPM VANDAL RESISTANT
	KN50-X121	AERATOR 15/16 STREAM FEMALE 2.2 GPM
	KN50-X121-A	AERATOR 15/16 PC SPRAY FEMALE .5 GPM
	KN50-X121-F	AERATOR 15/16 LAMINAR FEMALE 1.5 ANTI-MICROBIAL
	KN50-X305-A	AERATOR 13/16-27 PC SPRAY FEMALE .5GPM VANDAL RESISTANT



DECK MOUNT ELEVATED BRIDGE PRE-RINSE UNITS – 6" O.C.

KN66-1000 • KL66-1000 SERIES



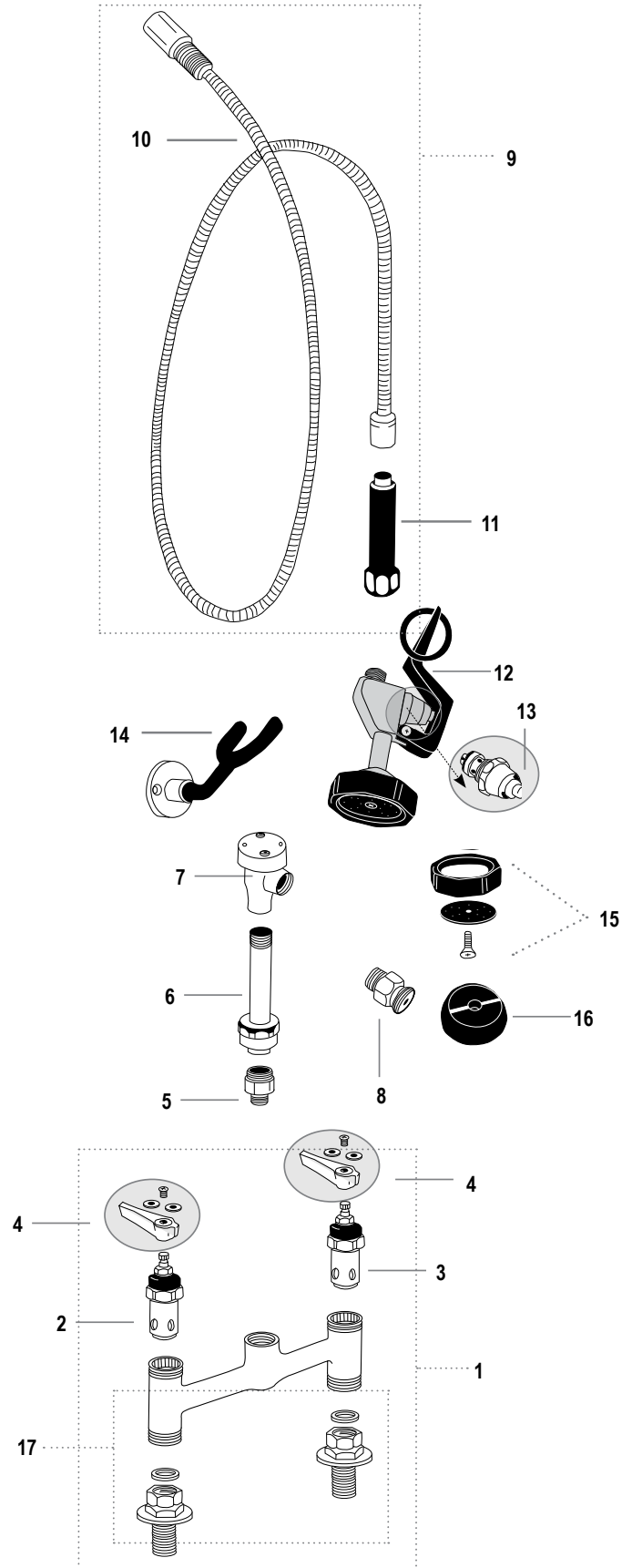
1	KL66-Y003	FAUCET BODY ASSEMBLY
2	KL50-Y007	HOT VALVE ASSEMBLY – ¼ TURN – COMPRESSION
	KL50-Y007-CCV	HOT VALVE ASSEMBLY – ¼ TURN – CERAMIC
	KL50-Y007-KT	HOT VALVE ASSEMBLY – ¼ TURN – COMPRESSION – WITH HANDLE
	KL50-Y007CVKT	HOT VALVE ASSEMBLY – ¼ TURN – CERAMIC – WITH HANDLE
3	KL50-Y006	COLD VALVE ASSEMBLY – ¼ TURN – COMPRESSION
	KL50-Y006-CCV	COLD VALVE ASSEMBLY – ¼ TURN – CERAMIC
	KL50-Y006-KT	COLD VALVE ASSEMBLY – ¼ TURN – COMPRESSION – WITH HANDLE
	KL50-Y006CVKT	COLD VALVE ASSEMBLY – ¼ TURN – CERAMIC – WITH HANDLE
4	K50-0110	LEVER HANDLE REPLACEMENT KIT W/SCREW
4	K50-0001	WRIST BLADE HANDLES, PAIR, 4"
	K50-0001-6	WRIST BLADE HANDLES, PAIR, 6"
	K50-Y011	HOOK/SCREW ASSEMBLY
6	K50-Y020-Z	WALL BRACKET ASSEMBLY
7	KL50-X077	RISER, 18"
	KL50-X029	RISER, 24"
8	KL50-X032	SPRING RETAINER
9	K50-X033	SPRING
	K50-X178	SPRING, STAINLESS STEEL
10	KL50-Y004-20	HOSE ASSEMBLY WITH GRIP – 20"
	KL50-Y004-26	HOSE ASSEMBLY WITH GRIP – 26"
	KL50-Y004-36	HOSE ASSEMBLY WITH GRIP – 36"
	KL50-Y004-44	HOSE ASSEMBLY WITH GRIP – 44"
	KL50-Y004-60	HOSE ASSEMBLY WITH GRIP – 60"
	KL50-Y004-72	HOSE ASSEMBLY WITH GRIP – 72"
	KL50-Y004-96	HOSE ASSEMBLY WITH GRIP – 96"
11	KL50-Y010-20Z	HOSE ASSEMBLY ONLY – 20"
	KL50-Y010-26Z	HOSE ASSEMBLY ONLY – 26"
	KL50-Y010-36	HOSE ASSEMBLY ONLY – 36"
	KL50-Y010-44Z	HOSE ASSEMBLY ONLY – 44"
	KL50-Y010-60Z	HOSE ASSEMBLY ONLY – 60"
	KL50-Y010-72Z	HOSE ASSEMBLY ONLY – 72"
	KL50-Y010-96Z	HOSE ASSEMBLY ONLY – 96"
12	KN50-X025-Z	GRIP
13	KL50-Y002-065	PRE-RINSE SPRAY ASSEMBLY – .65 GPM
	KL50-Y00212XZ	PRE-RINSE SPRAY ASSEMBLY – 1.2 GPM
	KL50-Y00216XZ	PRE-RINSE SPRAY ASSEMBLY – 1.6 GPM
14	KL50-Y027	BUTTON VALVE ASSEMBLY
15	KL50-0200-16	SPRAY HEAD REPAIR KIT 1.6 GPM – INCLUDES BUTTON VALVE ASSY
16	KN50-X135	WATER SAVER FACE PLATE – 1.6 GPM
	KN50-X135-12	WATER SAVER FACE PLATE – 1.2 GPM
	KN50-X135-065	WATER SAVER FACE PLATE – .65 GPM
17	KL60-Y013	COUPLING ASSEMBLY

NOTE: FOR ADD-ON FAUCET, REFER TO PAGE _____.

DECK MOUNT ELEVATED BRIDGE UTILITY SPRAY UNITS – 6" O.C.

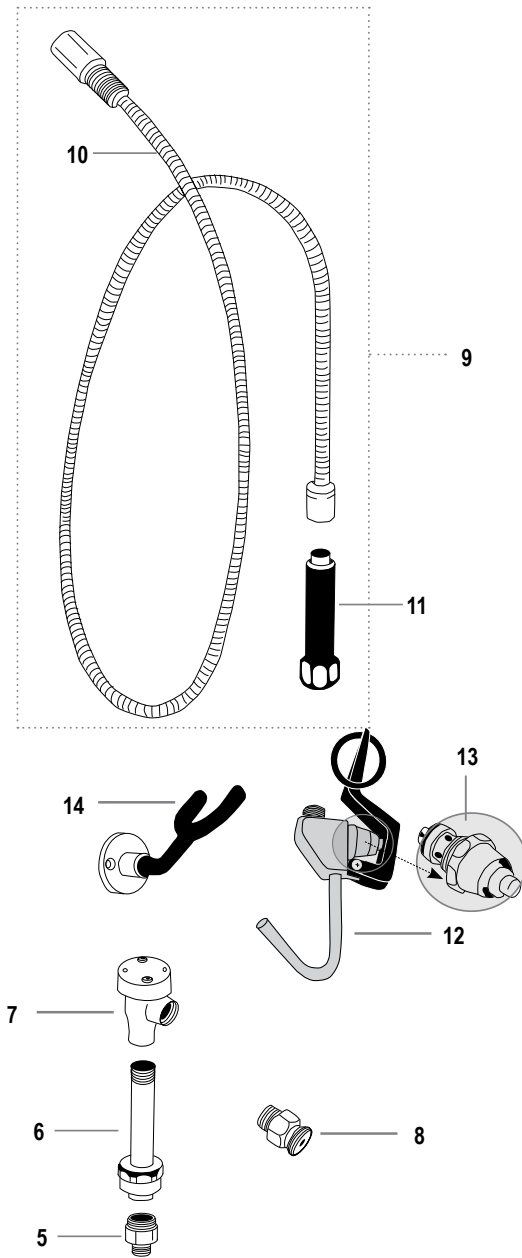
KN66-2000 • KL66-2000 SERIES

1	KL67-Y003	FAUCET BODY ASSEMBLY
2	KL50-Y007	HOT VALVE ASSEMBLY – ¼ TURN – COMPRESSION
	KL50-Y007-CCV	HOT VALVE ASSEMBLY – ¼ TURN – CERAMIC
	KL50-Y007-KT	HOT VALVE ASSEMBLY – ¼ TURN – COMPRESSION – WITH HANDLE
	KL50-Y007-CVKT	HOT VALVE ASSEMBLY – ¼ TURN – CERAMIC – WITH HANDLE
3	KL50-Y006	COLD VALVE ASSEMBLY – ¼ TURN – COMPRESSION
	KL50-Y006-CCV	COLD VALVE ASSEMBLY – ¼ TURN – CERAMIC
	KL50-Y006-KT	COLD VALVE ASSEMBLY – ¼ TURN – COMPRESSION – WITH HANDLE
	KL50-Y006-CVKT	COLD VALVE ASSEMBLY – ¼ TURN – CERAMIC – WITH HANDLE
4	K50-0110	LEVER HANDLE REPLACEMENT KIT W/SCREW
	K50-0001	WRIST BLADE HANDLES, PAIR, 4"
	K50-0001-6	WRIST BLADE HANDLES, PAIR, 6"
5	KL50-X075	RIGID TO SWIVEL ADAPTER
6	KL50-Y026	SWING NOZZLE, 180 DEGREE
7	KL50-X137	VACUUM BREAKER, 3/8"
8	KL50-X128	HOSE ADAPTER, 3/8"
9	KL50-Y004-20	HOSE ASSEMBLY WITH GRIP – 20"
	KL50-Y004-26	HOSE ASSEMBLY WITH GRIP – 26"
	KL50-Y004-36	HOSE ASSEMBLY WITH GRIP – 36"
	KL50-Y004-44	HOSE ASSEMBLY WITH GRIP – 44"
	KL50-Y004-60	HOSE ASSEMBLY WITH GRIP – 60"
	KL50-Y004-72	HOSE ASSEMBLY WITH GRIP – 72"
	KL50-Y004-96	HOSE ASSEMBLY WITH GRIP – 96"
10	KL50-Y010-20Z	HOSE ASSEMBLY ONLY – 20"
	KL50-Y010-26Z	HOSE ASSEMBLY ONLY – 26"
	KL50-Y010-36	HOSE ASSEMBLY ONLY – 36"
	KL50-Y010-44Z	HOSE ASSEMBLY ONLY – 44"
	KL50-Y010-60Z	HOSE ASSEMBLY ONLY – 60"
	KL50-Y010-72Z	HOSE ASSEMBLY ONLY – 72"
	KL50-Y010-96Z	HOSE ASSEMBLY ONLY – 96"
11	KN50-X025-Z	GRIP
12	KL50-Y030-Z	ANGLED SPRAY VALVE ASSEMBLY
13	KL50-Y027	BUTTON VALVE ASSEMBLY
14	K50-Y012-Z	WALL HOOK
15	KL50-0200	SPRAY HEAD REPAIR KIT 3.3 GPM – INCLUDES BUTTON VALVE ASSY
	KL50-0200-16	SPRAY HEAD REPAIR KIT 1.6 GPM – INCLUDES BUTTON VALVE ASSY
16	KN50-X065-B	WATER SAVER FACE PLATE – 3.3 GPM
	KN50-X135	WATER SAVER FACE PLATE – 1.6 GPM
	KN50-X135-12	WATER SAVER FACE PLATE – 1.2 GPM
	KN50-X135-065	WATER SAVER FACE PLATE – .65 GPM
17	KL60-Y013	COUPLING ASSEMBLY

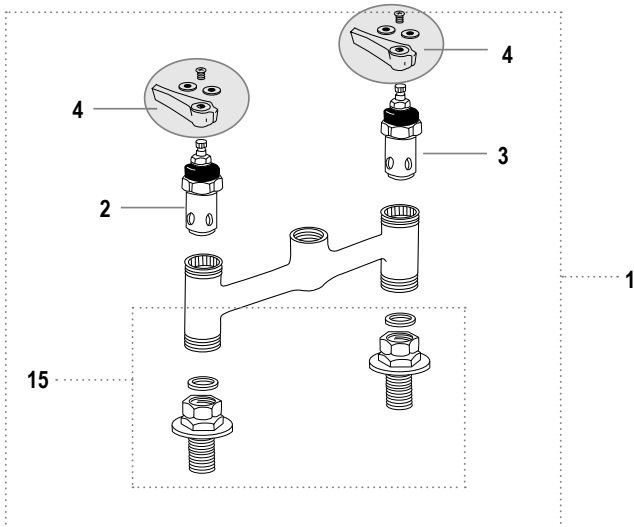


DECK MOUNT ELEVATED BRIDGE POT FILLER UNITS – 6" O.C.

KN66-3000 • KL66-3000 SERIES



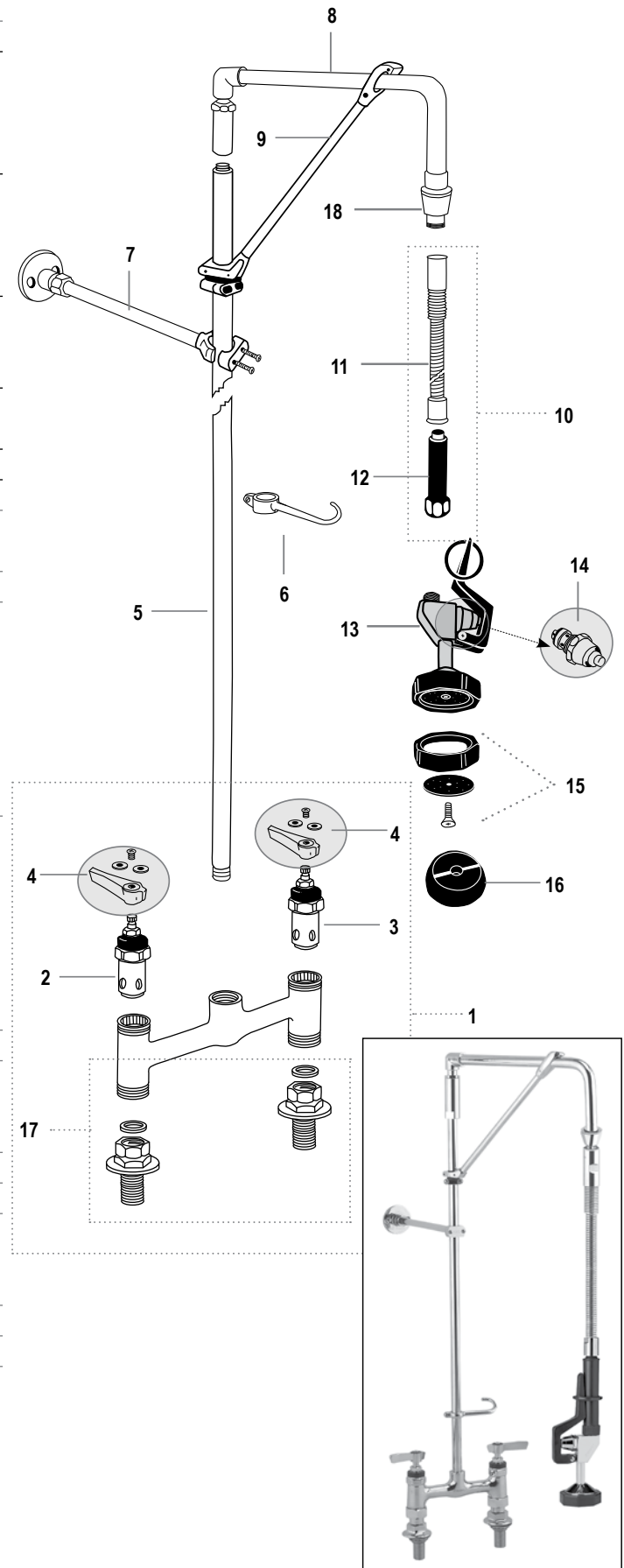
1	KL67-Y003	FAUCET BODY ASSEMBLY
2	KL50-Y007	HOT VALVE ASSEMBLY – ¼ TURN – COMPRESSION
	KL50-Y007-CCV	HOT VALVE ASSEMBLY – ¼ TURN – CERAMIC
	KL50-Y007-KT	HOT VALVE ASSEMBLY – ¼ TURN – COMPRESSION – WITH HANDLE
	KL50-Y007CVKT	HOT VALVE ASSEMBLY – ¼ TURN – CERAMIC – WITH HANDLE
3	KL50-Y006	COLD VALVE ASSEMBLY – ¼ TURN – COMPRESSION
	KL50-Y006-CCV	COLD VALVE ASSEMBLY – ¼ TURN – CERAMIC
	KL50-Y006-KT	COLD VALVE ASSEMBLY – ¼ TURN – COMPRESSION – WITH HANDLE
	KL50-Y006CVKT	COLD VALVE ASSEMBLY – ¼ TURN – CERAMIC – WITH HANDLE
4	K50-0110	LEVER HANDLE REPLACEMENT KIT W/SCREW
	K50-0001	WRIST BLADE HANDLES, PAIR, 4"
	K50-0001-6	WRIST BLADE HANDLES, PAIR, 6"
5	KL50-X075	RIGID TO SWIVEL ADAPTER
6	KL50-Y026	SWING NOZZLE, 180 DEGREE
7	KL50-X137	VACUUM BREAKER, 3/8"
8	KL50-X128	HOSE ADAPTER, 3/8"
9	KL50-Y004-20	HOSE ASSEMBLY WITH GRIP – 20"
	KL50-Y004-26	HOSE ASSEMBLY WITH GRIP – 26"
	KL50-Y004-36	HOSE ASSEMBLY WITH GRIP – 36"
	KL50-Y004-44	HOSE ASSEMBLY WITH GRIP – 44"
	KL50-Y004-60	HOSE ASSEMBLY WITH GRIP – 60"
	KL50-Y004-72	HOSE ASSEMBLY WITH GRIP – 72"
10	KL50-Y010-20Z	HOSE ASSEMBLY ONLY – 20"
	KL50-Y010-26Z	HOSE ASSEMBLY ONLY – 26"
	KL50-Y010-36	HOSE ASSEMBLY ONLY – 36"
	KL50-Y010-44Z	HOSE ASSEMBLY ONLY – 44"
	KL50-Y010-60Z	HOSE ASSEMBLY ONLY – 60"
	KL50-Y010-72Z	HOSE ASSEMBLY ONLY – 72"
11	KL50-Y010-96Z	HOSE ASSEMBLY ONLY – 96"
	KN50-X025-Z	GRIP
12	KL50-Y031-Z	HOOKEED SPRAY VALVE ASSEMBLY
13	KL50-Y027	BUTTON VALVE ASSEMBLY
14	K50-Y012-Z	WALL HOOK
15	KL60-Y013	COUPLING ASSEMBLY



DECK MOUNT ELEVATED BRIDGE SWIVEL ARM PRE-RINSE UNITS – 6" O.C.

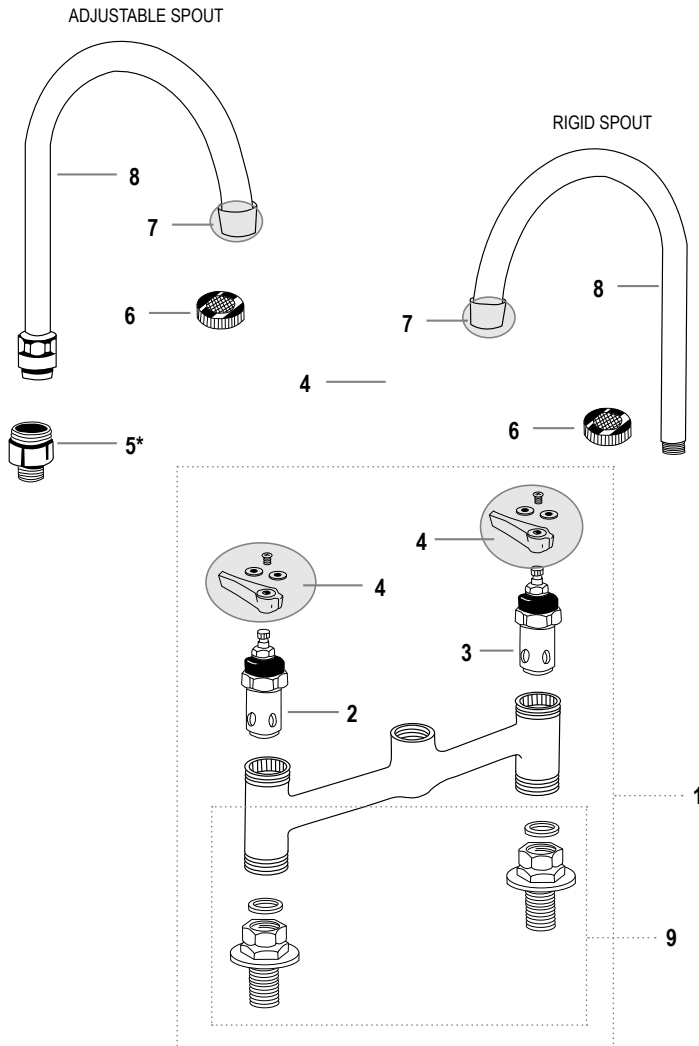
KN66-50xx • KL66-50xx SERIES

1	KL66-Y003	FAUCET BODY ASSEMBLY
2	KL50-Y007	HOT VALVE ASSEMBLY – ¼ TURN – COMPRESSION
	KL50-Y007-CCV	HOT VALVE ASSEMBLY – ¼ TURN – CERAMIC
	KL50-Y007-KT	HOT VALVE ASSEMBLY – ¼ TURN – COMPRESSION – WITH HANDLE
	KL50-Y007-CVKT	HOT VALVE ASSEMBLY – ¼ TURN – CERAMIC – WITH HANDLE
3	KL50-Y006	COLD VALVE ASSEMBLY – ¼ TURN – COMPRESSION
	KL50-Y006-CCV	COLD VALVE ASSEMBLY – ¼ TURN – CERAMIC
	KL50-Y006-KT	COLD VALVE ASSEMBLY – ¼ TURN – COMPRESSION – WITH HANDLE
	KL50-Y006-CVKT	COLD VALVE ASSEMBLY – ¼ TURN – CERAMIC – WITH HANDLE
4	K50-0110	LEVER HANDLE REPLACEMENT KIT W/SCREW
	K50-0001	WRIST BLADE HANDLES, PAIR, 4"
	K50-0001-6	WRIST BLADE HANDLES, PAIR, 6"
5	KL50-X153-26	RISER, 26"
	KL50-X153-32	RISER, 32"
6	K50-Y011	HOOK/SCREW ASSEMBLY
7	K50-Y020-Z	WALL BRACKET ASSEMBLY
8	KL50-Y050-12	SWIVEL ARM ASSEMBLY, 12"
	KL50-Y050-18	SWIVEL ARM ASSEMBLY, 18"
9	K50-Y500-Z	SWIVEL ARM BRACKET
10	KL50-Y004-20	HOSE ASSEMBLY WITH GRIP – 20"
	KL50-Y004-26	HOSE ASSEMBLY WITH GRIP – 26"
	KL50-Y004-36	HOSE ASSEMBLY WITH GRIP – 36"
	KL50-Y004-44	HOSE ASSEMBLY WITH GRIP – 44"
	KL50-Y004-60	HOSE ASSEMBLY WITH GRIP – 60"
	KL50-Y004-72	HOSE ASSEMBLY WITH GRIP – 72"
	KL50-Y004-96	HOSE ASSEMBLY WITH GRIP – 96"
11	KL50-Y010-20Z	HOSE ASSEMBLY ONLY – 20"
	KL50-Y010-26Z	HOSE ASSEMBLY ONLY – 26"
	KL50-Y010-36	HOSE ASSEMBLY ONLY – 36"
	KL50-Y010-44Z	HOSE ASSEMBLY ONLY – 44"
	KL50-Y010-60Z	HOSE ASSEMBLY ONLY – 60"
	KL50-Y010-72Z	HOSE ASSEMBLY ONLY – 72"
	KL50-Y010-96Z	HOSE ASSEMBLY ONLY – 96"
12	KN50-X025-Z	GRIP
13	KL50-Y002-065	PRE-RINSE SPRAY ASSEMBLY – .65 GPM
	KL50-Y00212XZ	PRE-RINSE SPRAY ASSEMBLY – 1.2 GPM
	KL50-Y00216XZ	PRE-RINSE SPRAY ASSEMBLY – 1.6 GPM
14	KL50-Y027	BUTTON VALVE ASSEMBLY
15	KL50-0200-16	SPRAY HEAD REPAIR KIT 1.6 GPM – INCLUDES BUTTON VALVE ASSY
16	KN50-X135	WATER SAVER FACE PLATE – 1.6 GPM
	KN50-X135-12	WATER SAVER FACE PLATE – 1.2 GPM
	KN50-X135-065	WATER SAVER FACE PLATE – .65 GPM
17	KL60-Y013	COUPLING ASSEMBLY
18	KL50-Y051	SWIVEL JOINT



ELEVATED BRIDGE DECK MOUNT FAUCETS – 6" O.C. – GOOSENECK SPOUTS

KN67-6000 • KL67-6000 SERIES



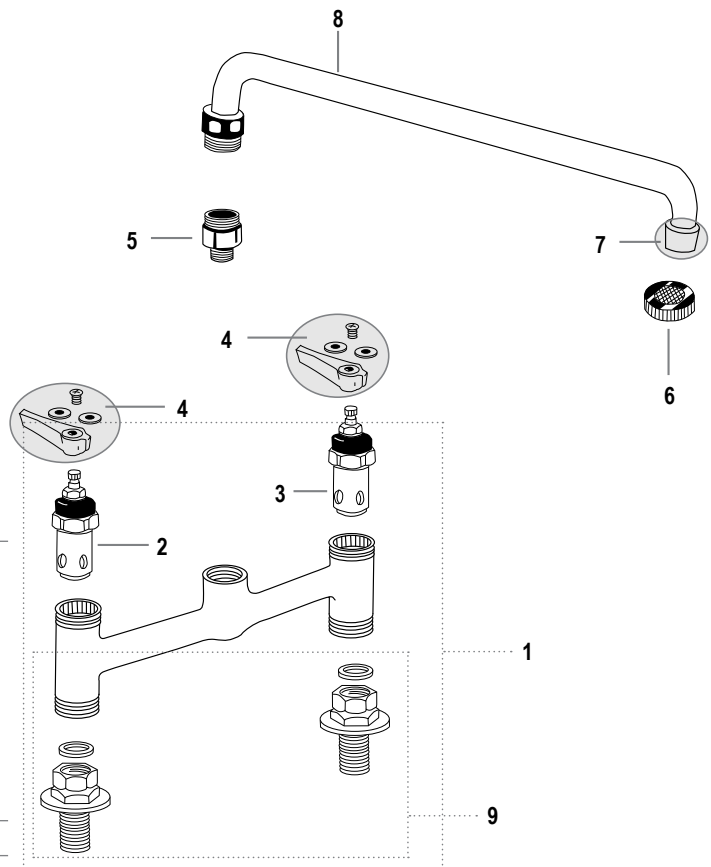
1	KL67-Y003	FAUCET BODY ASSEMBLY
2	KL50-Y007	HOT VALVE ASSEMBLY – ¼ TURN – COMPRESSION
	KL50-Y007-CCV	HOT VALVE ASSEMBLY – ¼ TURN – CERAMIC
	KL50-Y007-KT	HOT VALVE ASSEMBLY – ¼ TURN – COMPRESSION – WITH HANDLE
	KL50-Y007CVKT	HOT VALVE ASSEMBLY – ¼ TURN – CERAMIC – WITH HANDLE
3	KL50-Y006	COLD VALVE ASSEMBLY – ¼ TURN – COMPRESSION
	KL50-Y006-CCV	COLD VALVE ASSEMBLY – ¼ TURN – CERAMIC
	KL50-Y006-KT	COLD VALVE ASSEMBLY – ¼ TURN – COMPRESSION – WITH HANDLE
	KL50-Y006CVKT	COLD VALVE ASSEMBLY – ¼ TURN – CERAMIC – WITH HANDLE
4	K50-0110	LEVER HANDLE REPLACEMENT KIT W/SCREW
4	K50-0001	WRIST BLADE HANDLES, PAIR, 4"
	K50-0001-6	WRIST BLADE HANDLES, PAIR, 6"
5	KL50-X075	RIGID TO SWING ADAPTER*
6	KL50-X132	STREAM REGULATOR SCREEN
7	KN50-X120	AERATOR 55/64 STREAM FEMALE 2.2 GPM
	KN50-X201	AERATOR 55/64 STREAM FEMALE 2.2 GPM VANDAL RESISTANT
	KN50-X120-F	AERATOR 55/64 STREAM FEMALE 1.5 GPM ANTI-MICROBIAL
	KN50-X201-F	AERATOR 55/64 LAMINAR FEMALE 1.5 GPM VANDAL RESISTANT ANTI-MICROBIAL
	KN50-X120-A	AERATOR 55/64 STREAM FEMALE .5 GPM
	KN50-X235-F	AERATOR 55/64 PC SPRAY FEMALE .35 GPM
	KN50-X335-F	AERATOR 55/64 PC SPRAY .35 GPM FEMALE VANDAL RESISTANT
	KN50-X201-A	AERATOR 55/64 PC SPRAY FEMALE .5 GPM VANDAL RESISTANT
	KN50-X120-M	AERATOR 55/64 PC SPRAY FEMALE 1.0 GPM
	KN50-X120S-06	AERATOR 55/64 ROSE SPRAY FEMALE 6.0 GPM
	KN50-X203-F	AERATOR 15/16 LAMINAR FEMALE 1.5 GPM VANDAL RESISTANT ANTI-MICROBIAL
	KN50-X203-A	AERATOR 15/16 PC SPRAY FEMALE .5 GPM VANDAL RESISTANT
	KN50-X203	AERATOR 15/16 STREAM FEMALE 2.2 GPM VANDAL RESISTANT
	KN50-X121	AERATOR 15/16 STREAM FEMALE 2.2 GPM
	KN50-X121-A	AERATOR 15/16 PC SPRAY FEMALE .5 GPM
	KN50-X121-F	AERATOR 15/16 LAMINAR FEMALE 1.5 ANTI-MICROBIAL
KN50-X305-A	AERATOR 13/16-27 PC SPRAY FEMALE .5GPM VANDAL RESISTANT	
8	KS11-12-X000	GOOSENECK SPOUT, 3" ADJUSTABLE
	KS11-12-X002	GOOSENECK SPOUT, 6" ADJUSTABLE
	KS11-12-X001	GOOSENECK SPOUT, 8" ADJUSTABLE
	KS11-12-X100	GOOSENECK SPOUT, 3" RIGID
	KS11-12-X102	GOOSENECK SPOUT, 6" RIGID
	KS11-12-X101	GOOSENECK SPOUT, 8" RIGID
9	KL60-Y013	COUPLING ASSEMBLY

*FOR USE WITH ADJUSTABLE SPOUT

ELEVATED BRIDGE DECK MOUNT FAUCETS – 6" O.C. – SWING SPOUTS

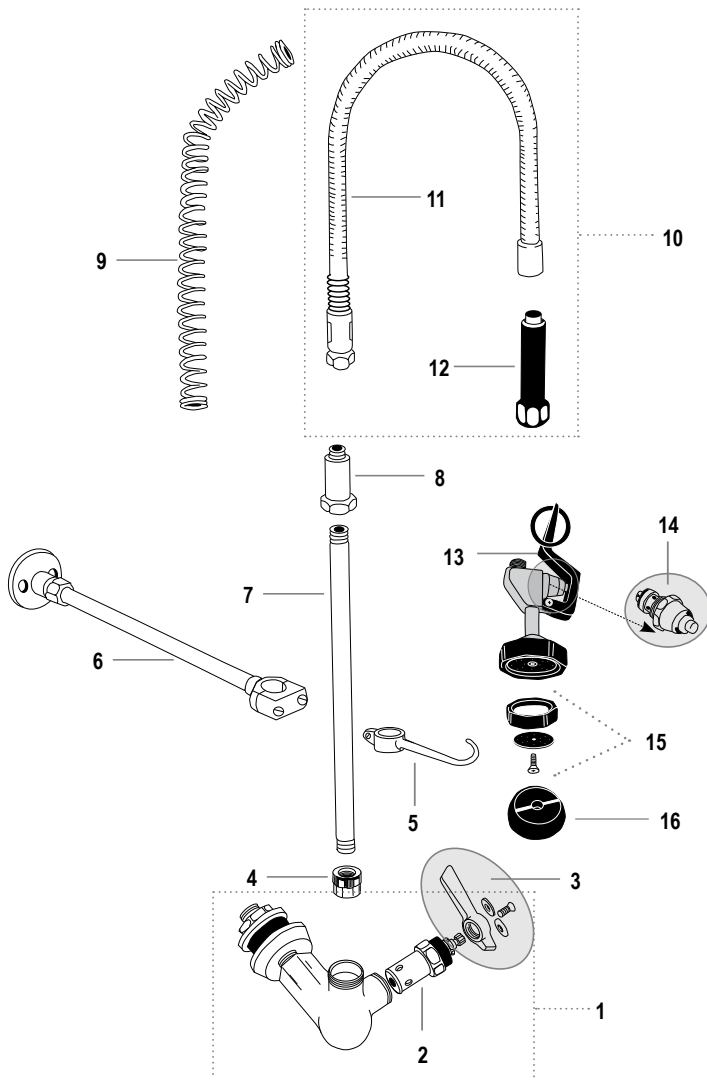
KN67-6000 • KL67-6000 SERIES

1	KL67-Y003	FAUCET BODY ASSEMBLY
2	KL50-Y007	HOT VALVE ASSEMBLY – ¼ TURN – COMPRESSION
	KL50-Y007-CCV	HOT VALVE ASSEMBLY – ¼ TURN – CERAMIC
	KL50-Y007-KT	HOT VALVE ASSEMBLY – ¼ TURN – COMPRESSION – WITH HANDLE
	KL50-Y007-CVKT	HOT VALVE ASSEMBLY – ¼ TURN – CERAMIC – WITH HANDLE
3	KL50-Y006	COLD VALVE ASSEMBLY – ¼ TURN – COMPRESSION
	KL50-Y006-CCV	COLD VALVE ASSEMBLY – ¼ TURN – CERAMIC
	KL50-Y006-KT	COLD VALVE ASSEMBLY – ¼ TURN – COMPRESSION – WITH HANDLE
	KL50-Y006-CVKT	COLD VALVE ASSEMBLY – ¼ TURN – CERAMIC – WITH HANDLE
4	K50-0110	LEVER HANDLE REPLACEMENT KIT W/SCREW
	K50-0001	WRIST BLADE HANDLES, PAIR, 4"
	K50-0001-6	WRIST BLADE HANDLES, PAIR, 6"
5	KL50-X075	RIGID TO SWING ADAPTER
6	KL50-X132	STREAM REGULATOR SCREEN
7	KN50-X120	AERATOR 55/64 STREAM FEMALE 2.2 GPM
	KN50-X201	AERATOR 55/64 STREAM FEMALE 2.2 GPM VANDAL RESISTANT
	KN50-X120-F	AERATOR 55/64 STREAM FEMALE 1.5 GPM ANTI-MICROBIAL
	KN50-X201-F	AERATOR 55/64 LAMINAR FEMALE 1.5 GPM VANDAL RESISTANT ANTI-MICROBIAL
	KN50-X120-A	AERATOR 55/64 STREAM FEMALE .5 GPM
	KN50-X235-F	AERATOR 55/64 PC SPRAY FEMALE .35 GPM
	KN50-X335-F	AERATOR 55/64 PC SPRAY .35 GPM FEMALE VANDAL RESISTANT
	KN50-X201-A	AERATOR 55/64 PC SPRAY FEMALE .5 GPM VANDAL RESISTANT
	KN50-X120-M	AERATOR 55/64 PC SPRAY FEMALE 1.0 GPM
	KN50-X120S-06	AERATOR 55/64 ROSE SPRAY FEMALE 6.0 GPM
	KN50-X203-F	AERATOR 15/16 LAMINAR FEMALE 1.5 GPM VANDAL RESISTANT ANTI-MICROBIAL
	KN50-X203-A	AERATOR 15/16 PC SPRAY FEMALE .5 GPM VANDAL RESISTANT
	KN50-X203	AERATOR 15/16 STREAM FEMALE 2.2 GPM VANDAL RESISTANT
	KN50-X121	AERATOR 15/16 STREAM FEMALE 2.2 GPM
	KN50-X121-A	AERATOR 15/16 PC SPRAY FEMALE .5 GPM
	KN50-X121-F	AERATOR 15/16 LAMINAR FEMALE 1.5 ANTI-MICROBIAL
KN50-X305-A	AERATOR 13/16-27 PC SPRAY FEMALE .5GPM VANDAL RESISTANT	
8	KS11-12-X006	TUBULAR SWING SPOUT, S/S, 6"
	KS11-12-X008	TUBULAR SWING SPOUT, S/S, 8"
	KS11-12-X010	TUBULAR SWING SPOUT, S/S, 10"
	KS11-12-X012	TUBULAR SWING SPOUT, S/S, 12"
	KS11-12-X112	TUBULAR SWING SPOUT, S/S, 12" (FOR JOINTED APPLICATIONS ONLY)
	KS11-12-X014	TUBULAR SWING SPOUT, S/S, 14"
	KS11-12-X016	TUBULAR SWING SPOUT, S/S, 16"
	KS11-12-X18A	TUBULAR SWING SPOUT, S/S, 18"
9	KL60-Y013	COUPLING ASSEMBLY



SPLASH MOUNT PRE-RINSE UNITS

KN69-1000 • KL69-1000 SERIES



1	KL70-Y001-XZ	FAUCET BODY ASSEMBLY
2	KL50-Y007	HOT VALVE ASSEMBLY – ¼ TURN – COMPRESSION
	KL50-Y007-CCV	HOT VALVE ASSEMBLY – ¼ TURN – CERAMIC
	KL50-Y007-KT	HOT VALVE ASSEMBLY – ¼ TURN – COMPRESSION – WITH HANDLE
	KL50-Y007CVKT	HOT VALVE ASSEMBLY – ¼ TURN – CERAMIC – WITH HANDLE
3	K50-0110	LEVER HANDLE REPLACEMENT KIT W/SCREW
	K50-0001	WRIST BLADE HANDLES, PAIR, 4"
4	K50-0001-6	WRIST BLADE HANDLES, PAIR, 6"
	KL50-X122	SWIVEL TO RIGID ADAPTER
5	K50-Y011	HOOK/SCREW ASSEMBLY
6	K50-Y020-Z	WALL BRACKET ASSEMBLY
7	KL50-X077	RISER, 18"
	KL50-X029	RISER, 24"
8	KL50-X032	SPRING RETAINER
9	K50-X033	SPRING
	K50-X178	SPRING, STAINLESS STEEL
10	KL50-Y004-20	HOSE ASSEMBLY WITH GRIP – 20"
	KL50-Y004-26	HOSE ASSEMBLY WITH GRIP – 26"
	KL50-Y004-36	HOSE ASSEMBLY WITH GRIP – 36"
	KL50-Y004-44	HOSE ASSEMBLY WITH GRIP – 44"
	KL50-Y004-60	HOSE ASSEMBLY WITH GRIP – 60"
	KL50-Y004-72	HOSE ASSEMBLY WITH GRIP – 72"
11	KL50-Y004-96	HOSE ASSEMBLY WITH GRIP – 96"
	KL50-Y010-20Z	HOSE ASSEMBLY ONLY – 20"
	KL50-Y010-26Z	HOSE ASSEMBLY ONLY – 26"
	KL50-Y010-36	HOSE ASSEMBLY ONLY – 36"
	KL50-Y010-44Z	HOSE ASSEMBLY ONLY – 44"
	KL50-Y010-60Z	HOSE ASSEMBLY ONLY – 60"
12	KL50-Y010-72Z	HOSE ASSEMBLY ONLY – 72"
	KL50-Y010-96Z	HOSE ASSEMBLY ONLY – 96"
12	KN50-X025-Z	GRIP
13	KL50-Y002-065	PRE-RINSE SPRAY ASSEMBLY – .65 GPM
	KL50-Y00212XZ	PRE-RINSE SPRAY ASSEMBLY – 1.2 GPM
	KL50-Y00216XZ	PRE-RINSE SPRAY ASSEMBLY – 1.6 GPM
14	KL50-Y027	BUTTON VALVE ASSEMBLY
15	KL50-0200-16	SPRAY HEAD REPAIR KIT 1.6 GPM – INCLUDES BUTTON VALVE ASSY
16	KN50-X135	WATER SAVER FACE PLATE – 1.6 GPM
	KN50-X135-12	WATER SAVER FACE PLATE – 1.2 GPM
	KN50-X135-065	WATER SAVER FACE PLATE – .65 GPM

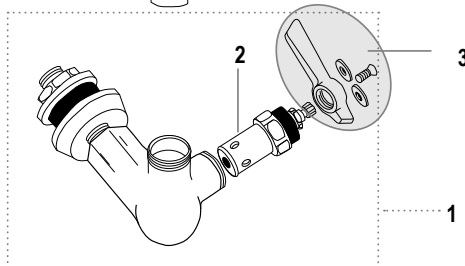
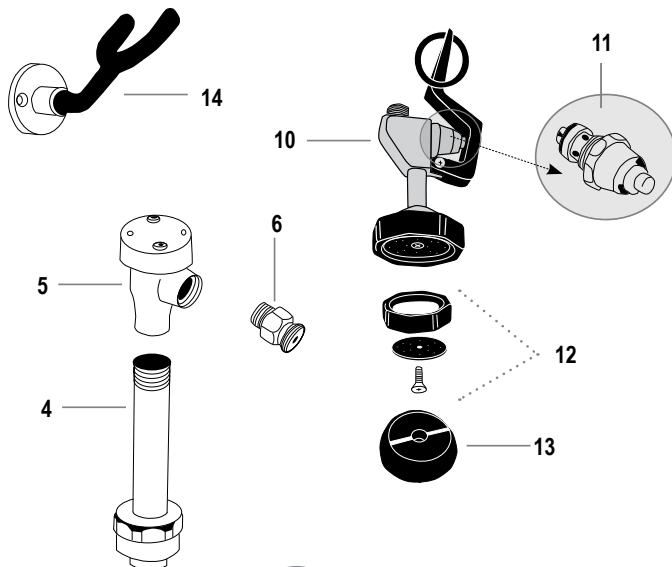
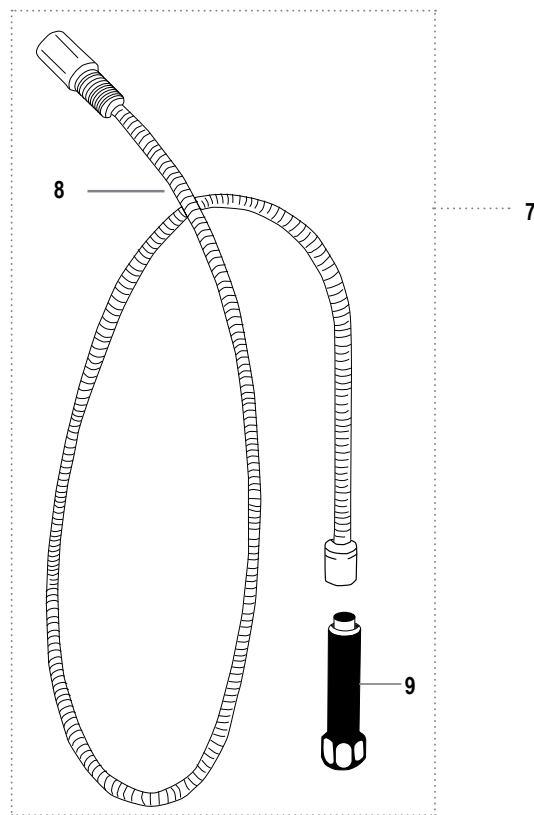
NOTE: FOR ADD-ON FAUCET, REFER TO PAGE _____.

SPLASH MOUNT UTILITY SPRAY UNITS

KN69-2000 • KL69-2000 SERIES

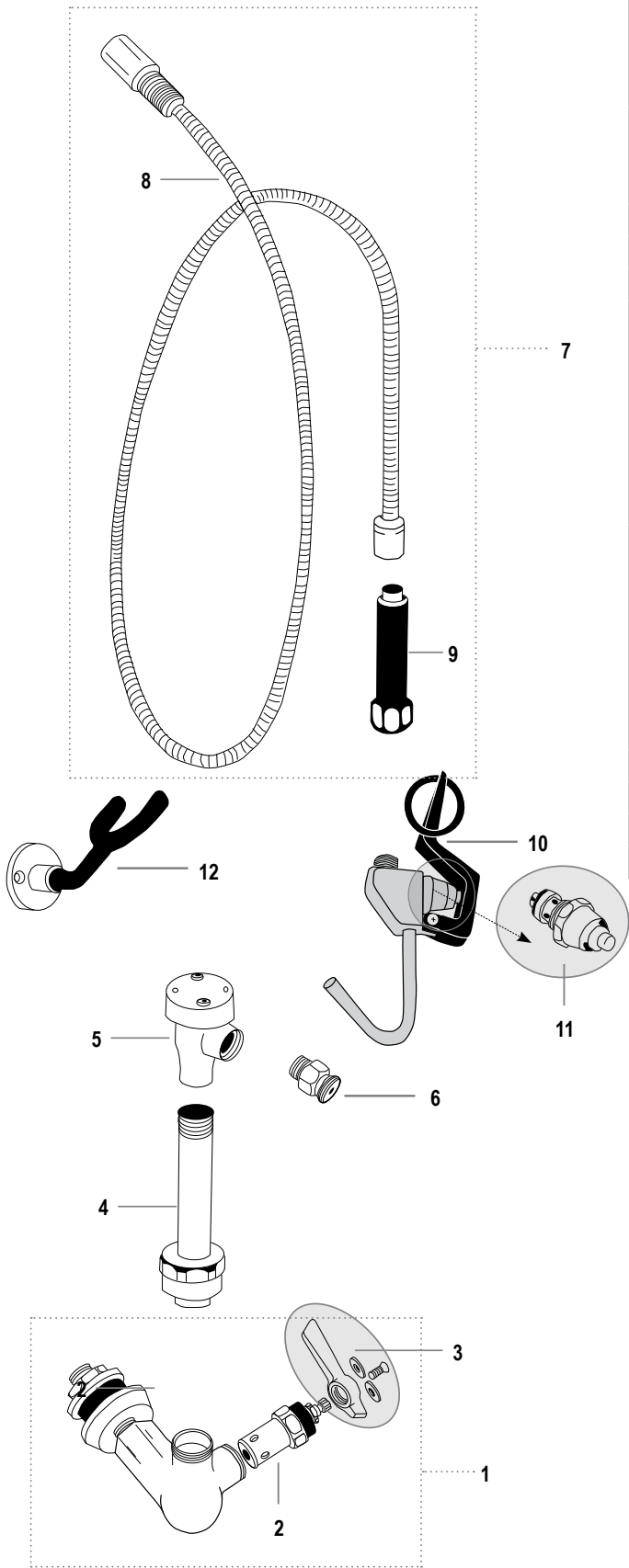
1	KL70-Y002	FAUCET BODY ASSEMBLY
2	KL50-Y007	HOT VALVE ASSEMBLY – ¼ TURN – COMPRESSION
	KL50-Y007-CCV	HOT VALVE ASSEMBLY – ¼ TURN – CERAMIC
	KL50-Y007-KT	HOT VALVE ASSEMBLY – ¼ TURN – COMPRESSION – WITH HANDLE
	KL50-Y007CVKT	HOT VALVE ASSEMBLY – ¼ TURN – CERAMIC – WITH HANDLE
3	K50-0110	LEVER HANDLE REPLACEMENT KIT W/SCREW
	K50-0001	WRIST BLADE HANDLES, PAIR, 4"
	K50-0001-6	WRIST BLADE HANDLES, PAIR, 6"
4	KL50-Y026	SWING NOZZLE, 180 DEGREE
5	KL50-X137	VACUUM BREAKER, 3/8"
6	KL50-X128	HOSE ADAPTER, 3/8"
7	KL50-Y004-20	HOSE ASSEMBLY WITH GRIP – 20"
	KL50-Y004-26	HOSE ASSEMBLY WITH GRIP – 26"
	KL50-Y004-36	HOSE ASSEMBLY WITH GRIP – 36"
	KL50-Y004-44	HOSE ASSEMBLY WITH GRIP – 44"
	KL50-Y004-60	HOSE ASSEMBLY WITH GRIP – 60"
	KL50-Y004-72	HOSE ASSEMBLY WITH GRIP – 72"
	KL50-Y004-96	HOSE ASSEMBLY WITH GRIP – 96"
8	KL50-Y010-20Z	HOSE ASSEMBLY ONLY – 20"
	KL50-Y010-26Z	HOSE ASSEMBLY ONLY – 26"
	KL50-Y010-36	HOSE ASSEMBLY ONLY – 36"
	KL50-Y010-44Z	HOSE ASSEMBLY ONLY – 44"
	KL50-Y010-60Z	HOSE ASSEMBLY ONLY – 60"
	KL50-Y010-72Z	HOSE ASSEMBLY ONLY – 72"
	KL50-Y010-96Z	HOSE ASSEMBLY ONLY – 96"
9	KN50-X025-Z	GRIP
10	KL50-Y030-Z	ANGLED SPRAY VALVE ASSEMBLY
11	KL50-Y027	BUTTON VALVE ASSEMBLY
12	KL50-0200	SPRAY HEAD REPAIR KIT 3.3 GPM – INCLUDES BUTTON VALVE ASSY
	KL50-0200-16	SPRAY HEAD REPAIR KIT 1.6 GPM – INCLUDES BUTTON VALVE ASSY
13	KN50-X065-B	WATER SAVER FACE PLATE – 3.3 GPM
	KN50-X135	WATER SAVER FACE PLATE – 1.6 GPM
	KN50-X135-12	WATER SAVER FACE PLATE – 1.2 GPM
	KN50-X135-065	WATER SAVER FACE PLATE - .65 GPM
14	K50-Y012-Z	WALL HOOK

NOTE: FOR ADD-ON FAUCET, REFER TO PAGE _____.



SPLASH MOUNT POT FILLER UNITS

KN69-3000 • KL69-3000 SERIES



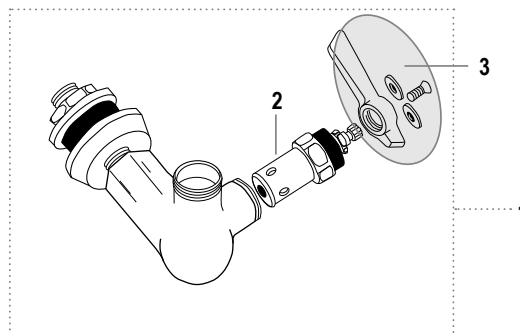
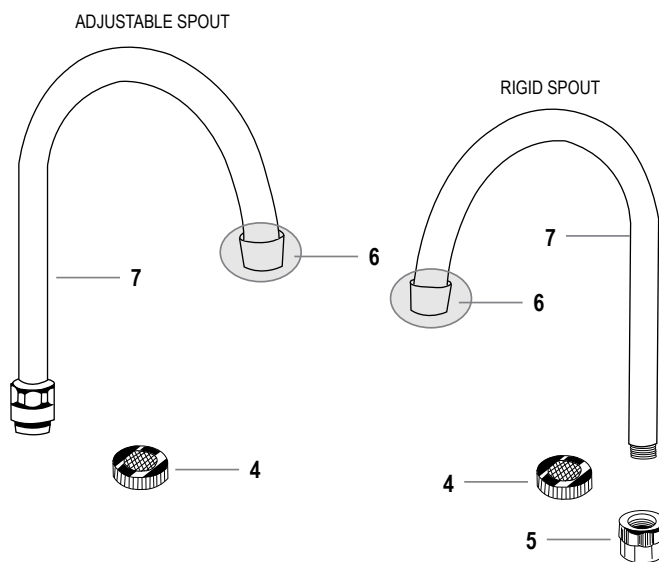
1	KL70-Y002	FAUCET BODY ASSEMBLY
2	KL50-Y007	HOT VALVE ASSEMBLY – ¼ TURN – COMPRESSION
	KL50-Y007-CCV	HOT VALVE ASSEMBLY – ¼ TURN – CERAMIC
	KL50-Y007-KT	HOT VALVE ASSEMBLY – ¼ TURN – COMPRESSION – WITH HANDLE
	KL50-Y007CVKT	HOT VALVE ASSEMBLY – ¼ TURN – CERAMIC – WITH HANDLE
3	K50-0110	LEVER HANDLE REPLACEMENT KIT W/SCREW
	K50-0001	WRIST BLADE HANDLES, PAIR, 4"
	K50-0001-6	WRIST BLADE HANDLES, PAIR, 6"
4	KL50-Y026	SWING NOZZLE, 180 DEGREE
5	KL50-X137	VACUUM BREAKER, 3/8"
6	KL50-X128	HOSE ADAPTER, 3/8"
7	KL50-Y004-20	HOSE ASSEMBLY WITH GRIP – 20"
	KL50-Y004-26	HOSE ASSEMBLY WITH GRIP – 26"
	KL50-Y004-36	HOSE ASSEMBLY WITH GRIP – 36"
	KL50-Y004-44	HOSE ASSEMBLY WITH GRIP – 44"
	KL50-Y004-60	HOSE ASSEMBLY WITH GRIP – 60"
	KL50-Y004-72	HOSE ASSEMBLY WITH GRIP – 72"
	KL50-Y004-96	HOSE ASSEMBLY WITH GRIP – 96"
8	KL50-Y010-20Z	HOSE ASSEMBLY ONLY – 20"
	KL50-Y010-26Z	HOSE ASSEMBLY ONLY – 26"
	KL50-Y010-36	HOSE ASSEMBLY ONLY – 36"
	KL50-Y010-44Z	HOSE ASSEMBLY ONLY – 44"
	KL50-Y010-60Z	HOSE ASSEMBLY ONLY – 60"
	KL50-Y010-72Z	HOSE ASSEMBLY ONLY – 72"
	KL50-Y010-96Z	HOSE ASSEMBLY ONLY – 96"
9	KN50-X025-Z	GRIP
10	KL50-Y031-Z	HOOKEED SPRAY VALVE ASSEMBLY
11	KL50-Y027	BUTTON VALVE ASSEMBLY
12	K50-Y012-Z	WALL HOOK



SPLASH MOUNT FAUCETS –GOOSENECK SPOUT

KN70-9000 • KL70-9000 SERIES

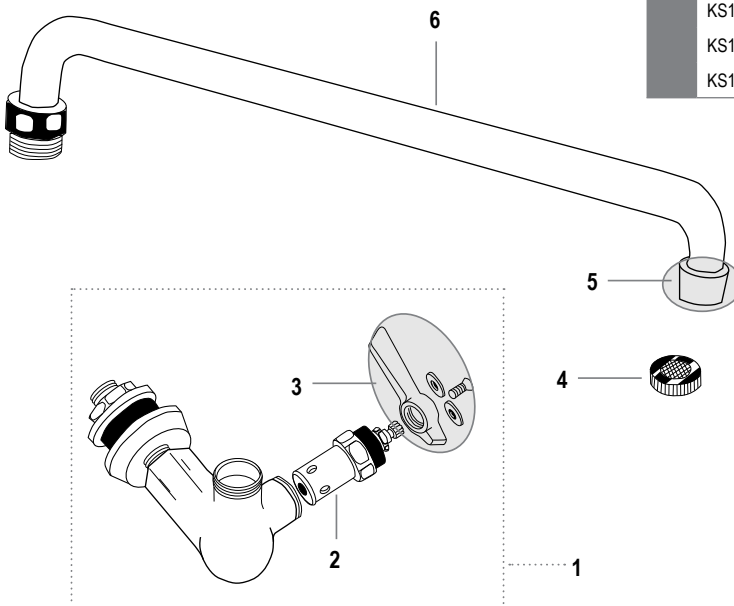
1	KL70-Y002	FAUCET BODY ASSEMBLY
2	KL50-Y007	HOT VALVE ASSEMBLY – ¼ TURN – COMPRESSION
	KL50-Y007-CCV	HOT VALVE ASSEMBLY – ¼ TURN – CERAMIC
	KL50-Y007-KT	HOT VALVE ASSEMBLY – ¼ TURN – COMPRESSION – WITH HANDLE
	KL50-Y007CVKT	HOT VALVE ASSEMBLY – ¼ TURN – CERAMIC – WITH HANDLE
3	K50-0110	LEVER HANDLE REPLACEMENT KIT W/SCREW
	K50-0001	WRIST BLADE HANDLES, PAIR, 4"
	K50-0001-6	WRIST BLADE HANDLES, PAIR, 6"
4	KL50-X132	STREAM REGULATOR SCREEN
5	KL50-X122	SWIVEL TO RIGID ADAPTER
6	KN50-X120	AERATOR 55/64 STREAM FEMALE 2.2 GPM
	KN50-X201	AERATOR 55/64 STREAM FEMALE 2.2 GPM VANDAL RESISTANT
	KN50-X120-F	AERATOR 55/64 STREAM FEMALE 1.5 GPM ANTI-MICROBIAL
	KN50-X201-F	AERATOR 55/64 LAMINAR FEMALE 1.5 GPM VANDAL RESISTANT ANTI-MICROBIAL
	KN50-X120-A	AERATOR 55/64 STREAM FEMALE .5 GPM
	KN50-X235-F	AERATOR 55/64 PC SPRAY FEMALE .35 GPM
	KN50-X335-F	AERATOR 55/64 PC SPRAY .35 GPM FEMALE VANDAL RESISTANT
	KN50-X201-A	AERATOR 55/64 PC SPRAY FEMALE .5 GPM VANDAL RESISTANT
	KN50-X120-M	AERATOR 55/64 PC SPRAY FEMALE 1.0 GPM
	KN50-X120S-06	AERATOR 55/64 ROSE SPRAY FEMALE 6.0 GPM
	KN50-X203-F	AERATOR 15/16 LAMINAR FEMALE 1.5 GPM VANDAL RESISTANT ANTI-MICROBIAL
	KN50-X203-A	AERATOR 15/16 PC SPRAY FEMALE .5 GPM VANDAL RESISTANT
	KN50-X203	AERATOR 15/16 STREAM FEMALE 2.2 GPM VANDAL RESISTANT
	KN50-X121	AERATOR 15/16 STREAM FEMALE 2.2 GPM
	KN50-X121-A	AERATOR 15/16 PC SPRAY FEMALE .5 GPM
	KN50-X121-F	AERATOR 15/16 LAMINAR FEMALE 1.5 ANTI-MICROBIAL
	KN50-X305-A	AERATOR 13/16-27 PC SPRAY FEMALE .5GPM VANDAL RESISTANT
	7	KS11-12-X000
KS11-12-X002		GOOSENECK SPOUT, 6" ADJUSTABLE
KS11-12-X001		GOOSENECK SPOUT, 8" ADJUSTABLE
KS11-12-X100		GOOSENECK SPOUT, 3" RIGID
KS11-12-X102		GOOSENECK SPOUT, 6" RIGID
KS11-12-X101		GOOSENECK SPOUT, 8" RIGID



SPLASH MOUNT FAUCETS – SWING SPOUT KN70-9000 • KL70-9000 SERIES



1	KL70-Y002	FAUCET BODY ASSEMBLY
2	KL50-Y007	HOT VALVE ASSEMBLY – ¼ TURN – COMPRESSION
	KL50-Y007-CCV	HOT VALVE ASSEMBLY – ¼ TURN – CERAMIC
	KL50-Y007-KT	HOT VALVE ASSEMBLY – ¼ TURN – COMPRESSION – WITH HANDLE
	KL50-Y007CVKT	HOT VALVE ASSEMBLY – ¼ TURN – CERAMIC – WITH HANDLE
3	K50-0110	LEVER HANDLE REPLACEMENT KIT W/SCREW
	K50-0001	WRIST BLADE HANDLES, PAIR, 4"
	K50-0001-6	WRIST BLADE HANDLES, PAIR, 6"
4	KL50-X132	STREAM REGULATOR SCREEN
5	KN50-X120	AERATOR 55/64 STREAM FEMALE 2.2 GPM
	KN50-X201	AERATOR 55/64 STREAM FEMALE 2.2 GPM VANDAL RESISTANT
	KN50-X120-F	AERATOR 55/64 STREAM FEMALE 1.5 GPM ANTI-MICROBIAL
	KN50-X201-F	AERATOR 55/64 LAMINAR FEMALE 1.5 GPM VANDAL RESISTANT ANTI-MICROBIAL
	KN50-X120-A	AERATOR 55/64 STREAM FEMALE .5 GPM
	KN50-X235-F	AERATOR 55/64 PC SPRAY FEMALE .35 GPM
	KN50-X335-F	AERATOR 55/64 PC SPRAY .35 GPM FEMALE VANDAL RESISTANT
	KN50-X201-A	AERATOR 55/64 PC SPRAY FEMALE .5 GPM VANDAL RESISTANT
	KN50-X120-M	AERATOR 55/64 PC SPRAY FEMALE 1.0 GPM
	KN50-X120S-06	AERATOR 55/64 ROSE SPRAY FEMALE 6.0 GPM
	KN50-X203-F	AERATOR 15/16 LAMINAR FEMALE 1.5 GPM VANDAL RESISTANT ANTI-MICROBIAL
	KN50-X203-A	AERATOR 15/16 PC SPRAY FEMALE .5 GPM VANDAL RESISTANT
	KN50-X203	AERATOR 15/16 STREAM FEMALE 2.2 GPM VANDAL RESISTANT
	KN50-X121	AERATOR 15/16 STREAM FEMALE 2.2 GPM
	KN50-X121-A	AERATOR 15/16 PC SPRAY FEMALE .5 GPM
	KN50-X121-F	AERATOR 15/16 LAMINAR FEMALE 1.5 ANTI-MICROBIAL
	KN50-X305-A	AERATOR 13/16-27 PC SPRAY FEMALE .5GPM VANDAL RESISTANT
	6	KS11-12-X006
KS11-12-X008		TUBULAR SWING SPOUT, S/S, 8"
KS11-12-X010		TUBULAR SWING SPOUT, S/S, 10"
KS11-12-X012		TUBULAR SWING SPOUT, S/S, 12"
KS11-12-X112		TUBULAR SWING SPOUT, S/S, 12" (FOR JOINTED APPLICATIONS ONLY)
KS11-12-X014		TUBULAR SWING SPOUT, S/S, 14"
KS11-12-X016		TUBULAR SWING SPOUT, S/S, 16"
KS11-12-X018A		TUBULAR SWING SPOUT, S/S, 18"

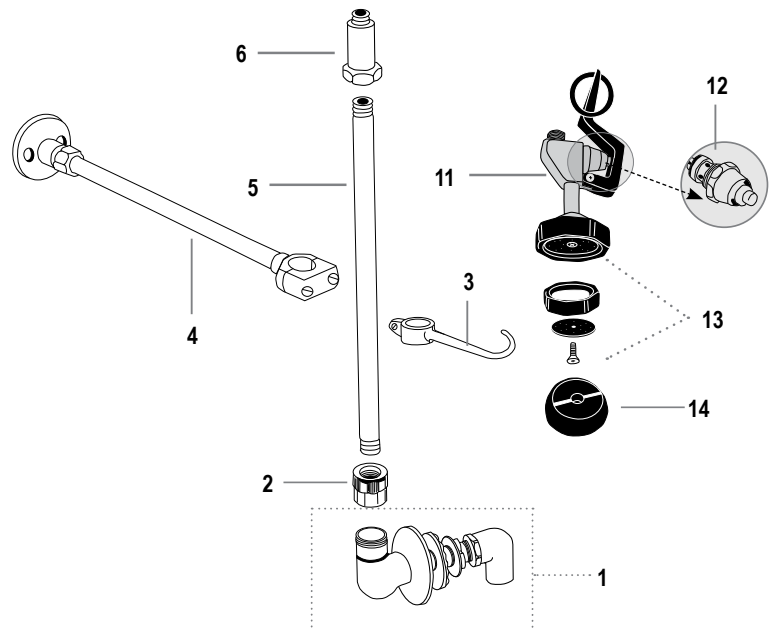
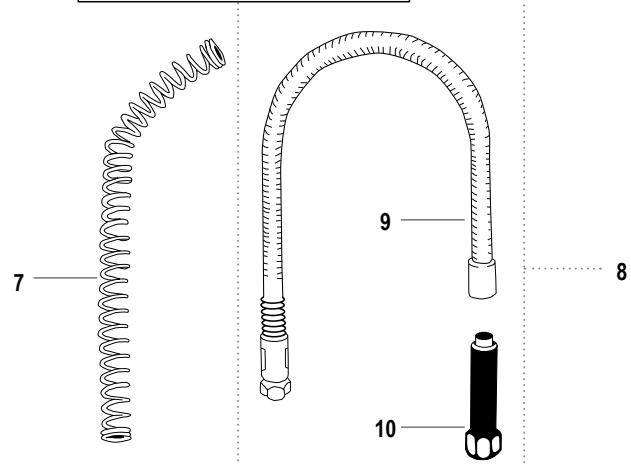


SPLASH MOUNT BASE PRE-RINSE UNITS

KN71-1000 • KL71-1000 SERIES

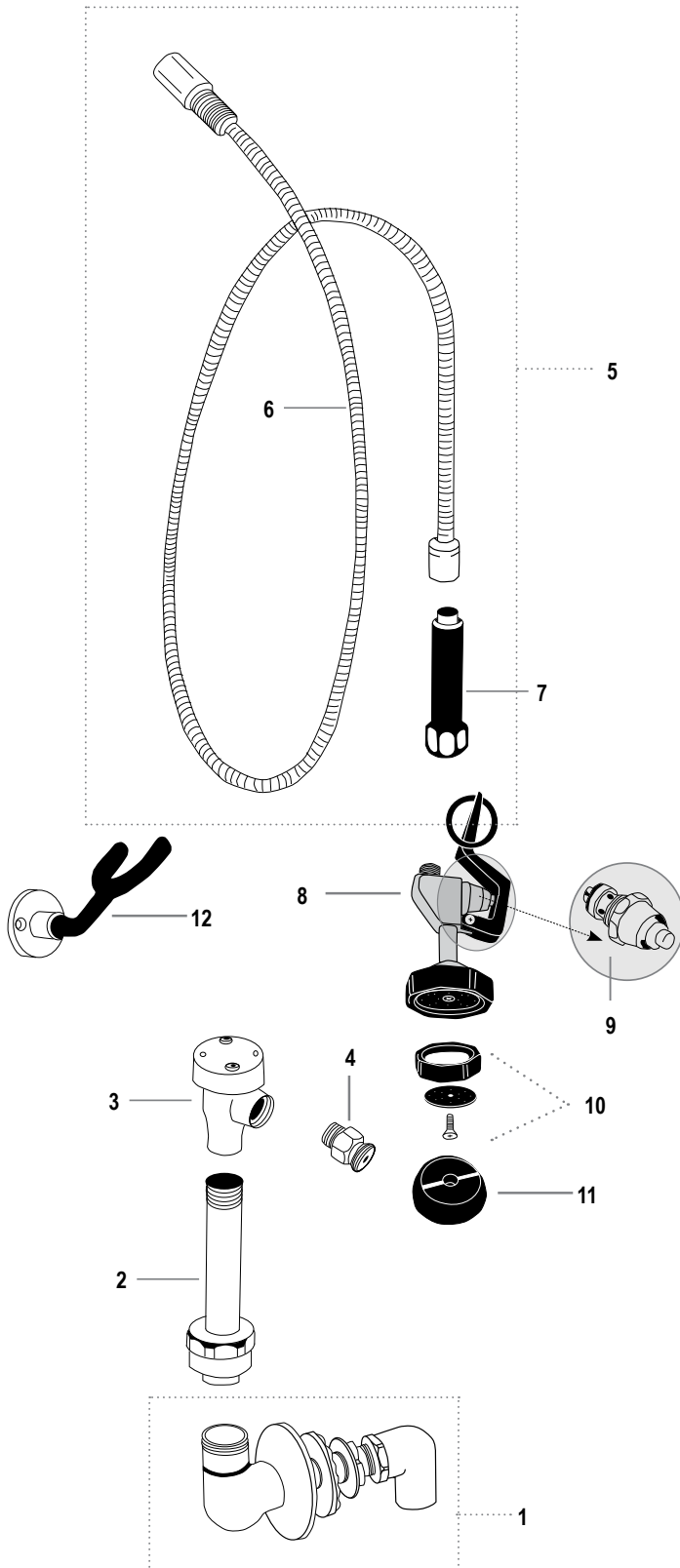
1	KL50-X123	SPLASH MOUNT BASE
2	KL50-X122	SWIVEL TO RIGID ADAPTER
3	K50-Y011	HOOK/SCREW ASSEMBLY
4	K50-Y020-Z	WALL BRACKET ASSEMBLY
	K50-Y020-6	WALL BRACKET ASSEMBLY, 6"
5	KL50-X077	RISER, 18"
	KL50-X029	RISER, 24"
6	KL50-X032	SPRING RETAINER
7	K50-X033	SPRING
	K50-X178	SPRING, STAINLESS STEEL
8	KL50-Y004-20	HOSE ASSEMBLY WITH GRIP – 20"
	KL50-Y004-26	HOSE ASSEMBLY WITH GRIP – 26"
	KL50-Y004-36	HOSE ASSEMBLY WITH GRIP – 36"
	KL50-Y004-44	HOSE ASSEMBLY WITH GRIP – 44"
	KL50-Y004-60	HOSE ASSEMBLY WITH GRIP – 60"
	KL50-Y004-72	HOSE ASSEMBLY WITH GRIP – 72"
	KL50-Y004-96	HOSE ASSEMBLY WITH GRIP – 96"
9	KL50-Y010-20Z	HOSE ASSEMBLY ONLY – 20"
	KL50-Y010-26Z	HOSE ASSEMBLY ONLY – 26"
	KL50-Y010-36	HOSE ASSEMBLY ONLY – 36"
	KL50-Y010-44Z	HOSE ASSEMBLY ONLY – 44"
	KL50-Y010-60Z	HOSE ASSEMBLY ONLY – 60"
	KL50-Y010-72Z	HOSE ASSEMBLY ONLY – 72"
	KL50-Y010-96Z	HOSE ASSEMBLY ONLY – 96"
10	KN50-X025-Z	GRIP
11	KL50-Y00212XZ	PRE-RINSE SPRAY ASSEMBLY – 1.2 GPM
	KL50-Y00216XZ	PRE-RINSE SPRAY ASSEMBLY – 1.6 GPM
12	KL50-Y027	BUTTON VALVE ASSEMBLY
13	KL50-0200-16	SPRAY HEAD REPAIR KIT 1.6 GPM – INCLUDES BUTTON VALVE ASSY
14	KN50-X135	WATER SAVER FACE PLATE – 1.6 GPM
	KN50-X135-12	WATER SAVER FACE PLATE – 1.2 GPM
	KN50-X135-065	WATER SAVER FACE PLATE - .65 GPM

NOTE: FOR ADD-ON FAUCET, REFER TO PAGE _____.



SPLASH MOUNT BASE UTILITY SPRAY UNITS

KN71-2000 & KL71-2000 SERIES



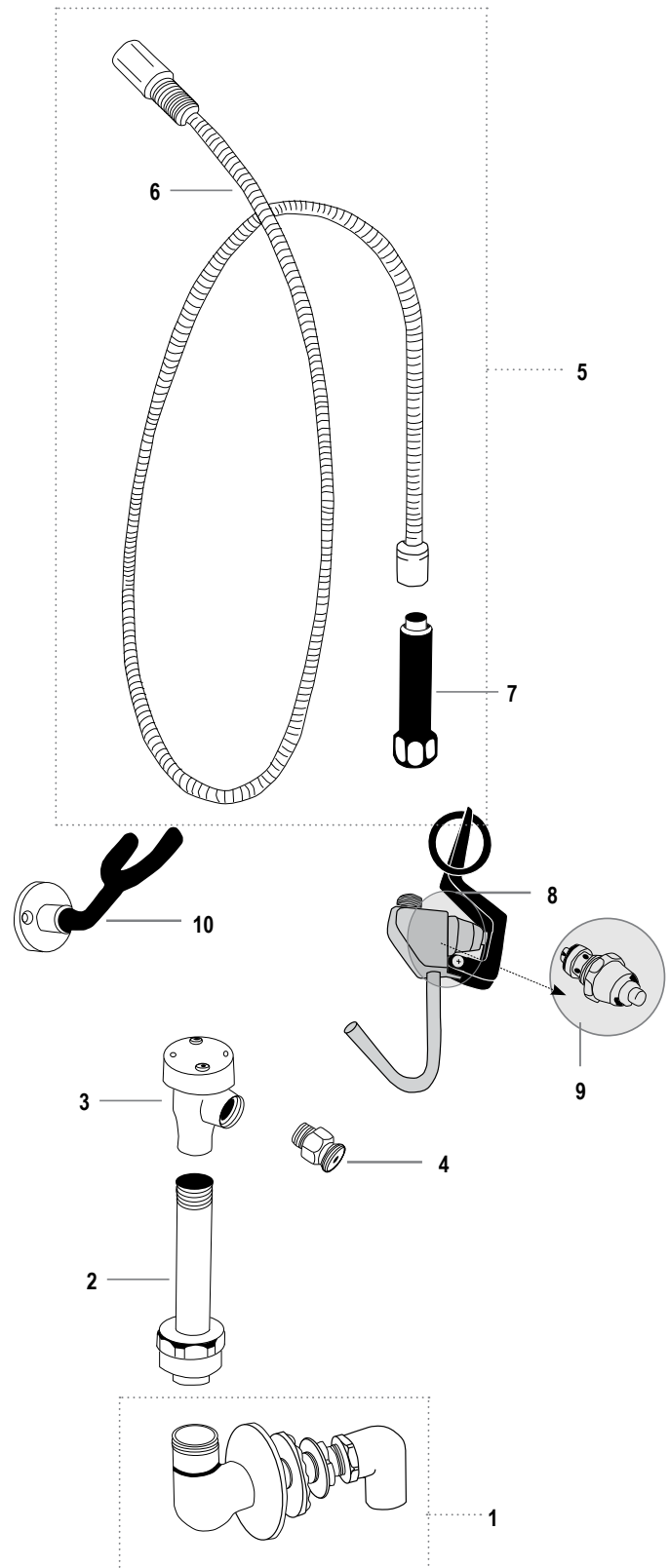
1	KL50-X123	SPLASH MOUNT BASE
2	KL50-Y026	SWING NOZZLE, 180 DEGREE
3	KL50-X137	VACUUM BREAKER, 3/8"
4	KL50-X128	HOSE ADAPTER, 3/8"
5	KL50-Y004-20	HOSE ASSEMBLY WITH GRIP – 20"
	KL50-Y004-26	HOSE ASSEMBLY WITH GRIP – 26"
	KL50-Y004-36	HOSE ASSEMBLY WITH GRIP – 36"
	KL50-Y004-44	HOSE ASSEMBLY WITH GRIP – 44"
	KL50-Y004-60	HOSE ASSEMBLY WITH GRIP – 60"
	KL50-Y004-72	HOSE ASSEMBLY WITH GRIP – 72"
6	KL50-Y010-96	HOSE ASSEMBLY WITH GRIP – 96"
	KL50-Y010-20Z	HOSE ASSEMBLY ONLY – 20"
	KL50-Y010-26Z	HOSE ASSEMBLY ONLY – 26"
	KL50-Y010-36	HOSE ASSEMBLY ONLY – 36"
	KL50-Y010-44Z	HOSE ASSEMBLY ONLY – 44"
	KL50-Y010-60Z	HOSE ASSEMBLY ONLY – 60"
7	KL50-Y010-72Z	HOSE ASSEMBLY ONLY – 72"
	KL50-Y010-96Z	HOSE ASSEMBLY ONLY – 96"
	KN50-X025-Z	GRIP
	KL50-Y030-Z	ANGLED SPRAY VALVE ASSEMBLY
9	KL50-Y027	BUTTON VALVE ASSEMBLY
10	KL50-0200-16	SPRAY HEAD REPAIR KIT 1.6 GPM – INCLUDES BUTTON VALVE ASSY
	KL50-0200	SPRAY HEAD REPAIR KIT 3.3 GPM – INCLUDES BUTTON VALVE ASSY
11	KN50-X065-B	WATER SAVER FACE PLATE – 3.3 GPM
	KN50-X135	WATER SAVER FACE PLATE – 1.6 GPM
	KN50-X135-12	WATER SAVER FACE PLATE – 1.2 GPM
	KN50-X135-065	WATER SAVER FACE PLATE - .65 GPM
12	K50-Y011	HOOK/SCREW ASSEMBLY



SPLASH MOUNT BASE POT FILLER UNITS

KN71-3000 • KL71-3000 SERIES

1	KL50-X123	SPLASH MOUNT BASE
2	KL50-Y026	SWING NOZZLE, 180 DEGREE
3	KL50-X137	VACUUM BREAKER, 3/8"
4	KL50-X128	HOSE ADAPTER, 3/8"
5	KL50-Y004-20	HOSE ASSEMBLY WITH GRIP – 20"
	KL50-Y004-26	HOSE ASSEMBLY WITH GRIP – 26"
	KL50-Y004-36	HOSE ASSEMBLY WITH GRIP – 36"
	KL50-Y004-44	HOSE ASSEMBLY WITH GRIP – 44"
	KL50-Y004-60	HOSE ASSEMBLY WITH GRIP – 60"
	KL50-Y004-72	HOSE ASSEMBLY WITH GRIP – 72"
6	KL50-Y010-20Z	HOSE ASSEMBLY ONLY – 20"
	KL50-Y010-26Z	HOSE ASSEMBLY ONLY – 26"
	KL50-Y010-36	HOSE ASSEMBLY ONLY – 36"
	KL50-Y010-44Z	HOSE ASSEMBLY ONLY – 44"
	KL50-Y010-60Z	HOSE ASSEMBLY ONLY – 60"
7	KL50-Y010-72Z	HOSE ASSEMBLY ONLY – 72"
	KL50-Y010-96Z	HOSE ASSEMBLY ONLY – 96"
	KN50-X025-Z	GRIP
8	KL50-Y031-Z	HOOKEK SPRAY VALVE ASSEMBLY
9	KL50-Y027	BUTTON VALVE ASSEMBLY
10	K50-Y012-Z	WALL HOOK



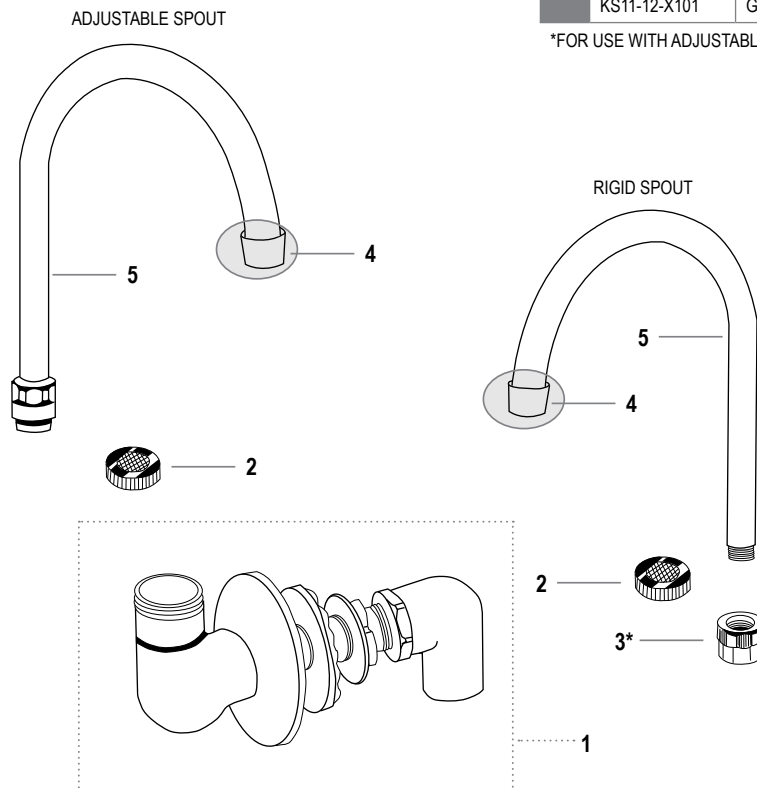
SPLASH MOUNT BASE – GOOSENECK SPOUT

KN72-9000 • KL72-9000 SERIES



1	KL50-X123	SPLASH MOUNT BASE
2	KL50-X132	STREAM REGULATOR SCREEN
3	KL50-X122	SWIVEL TO RIGID ADAPTER*
4	KN50-X120	AERATOR 55/64 STREAM FEMALE 2.2 GPM
	KN50-X201	AERATOR 55/64 STREAM FEMALE 2.2 GPM VANDAL RESISTANT
	KN50-X120-F	AERATOR 55/64 STREAM FEMALE 1.5 GPM ANTI-MICROBIAL
	KN50-X201-F	AERATOR 55/64 LAMINAR FEMALE 1.5 GPM VANDAL RESISTANT ANTI-MICROBIAL
	KN50-X120-A	AERATOR 55/64 STREAM FEMALE .5 GPM
	KN50-X235-F	AERATOR 55/64 PC SPRAY FEMALE .35 GPM
	KN50-X335-F	AERATOR 55/64 PC SPRAY .35 GPM FEMALE VANDAL RESISTANT
	KN50-X201-A	AERATOR 55/64 PC SPRAY FEMALE .5 GPM VANDAL RESISTANT
	KN50-X120-M	AERATOR 55/64 PC SPRAY FEMALE 1.0 GPM
	KN50-X120S-06	AERATOR 55/64 ROSE SPRAY FEMALE 6.0 GPM
	KN50-X203-F	AERATOR 15/16 LAMINAR FEMALE 1.5 GPM VANDAL RESISTANT ANTI-MICROBIAL
	KN50-X203-A	AERATOR 15/16 PC SPRAY FEMALE .5 GPM VANDAL RESISTANT
	KN50-X203	AERATOR 15/16 STREAM FEMALE 2.2 GPM VANDAL RESISTANT
	KN50-X121	AERATOR 15/16 STREAM FEMALE 2.2 GPM
	KN50-X121-A	AERATOR 15/16 PC SPRAY FEMALE .5 GPM
KN50-X121-F	AERATOR 15/16 LAMINAR FEMALE 1.5 ANTI-MICROBIAL	
KN50-X305-A	AERATOR 13/16-27 PC SPRAY FEMALE .5GPM VANDAL RESISTANT	
5	KS11-12-X000	GOOSENECK SPOUT, 3" ADJUSTABLE
	KS11-12-X002	GOOSENECK SPOUT, 6" ADJUSTABLE
	KS11-12-X001	GOOSENECK SPOUT, 8" ADJUSTABLE
	KS11-12-X100	GOOSENECK SPOUT, 3" RIGID
	KS11-12-X102	GOOSENECK SPOUT, 6" RIGID
	KS11-12-X101	GOOSENECK SPOUT, 8" RIGID

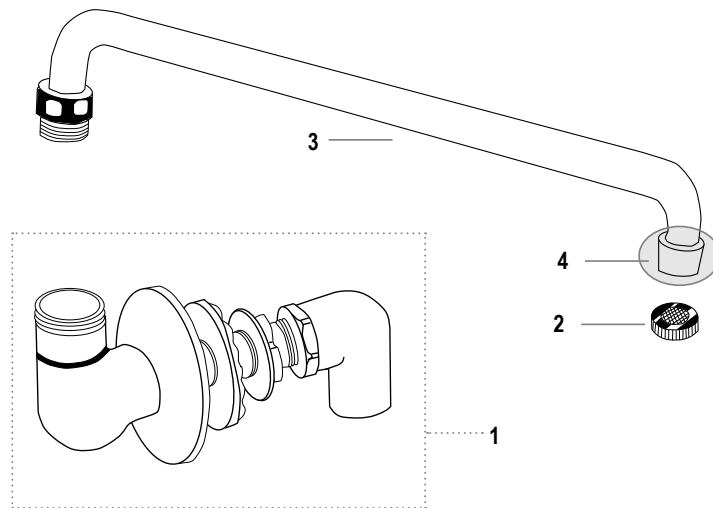
*FOR USE WITH ADJUSTABLE SPOUT



SPLASH MOUNT BASE – SWING SPOUT

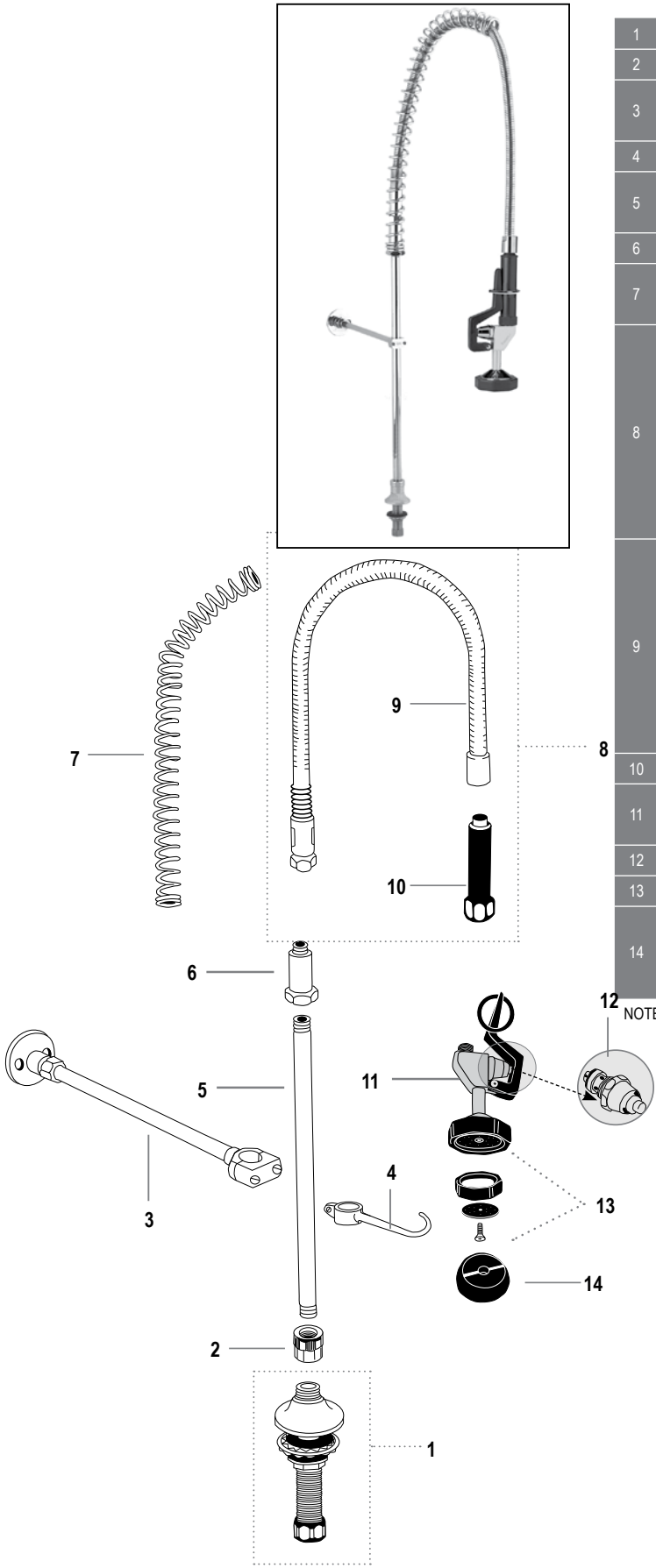
KN72-9000 • KL72-9000 SERIES

1	KL50-X123	SPLASH MOUNT BASE
2	KL50-X132	STREAM REGULATOR SCREEN
3	KS11-12-X006	TUBULAR SWING SPOUT, S/S, 6"
	KS11-12-X008	TUBULAR SWING SPOUT, S/S, 8"
	KS11-12-X010	TUBULAR SWING SPOUT, S/S, 10"
	KS11-12-X012	TUBULAR SWING SPOUT, S/S, 12"
	KS11-12-X014	TUBULAR SWING SPOUT, S/S, 14"
	KS11-12-X016	TUBULAR SWING SPOUT, S/S, 16"
	KS11-12-X018A	TUBULAR SWING SPOUT, S/S, 18"
4	KN50-X120	AERATOR 55/64 STREAM FEMALE 2.2 GPM
	KN50-X201	AERATOR 55/64 STREAM FEMALE 2.2 GPM VANDAL RESISTANT
	KN50-X120-F	AERATOR 55/64 STREAM FEMALE 1.5 GPM ANTI-MICROBIAL
	KN50-X201-F	AERATOR 55/64 LAMINAR FEMALE 1.5 GPM VANDAL RESISTANT ANTI-MICROBIAL
	KN50-X120-A	AERATOR 55/64 STREAM FEMALE .5 GPM
	KN50-X235-F	AERATOR 55/64 PC SPRAY FEMALE .35 GPM
	KN50-X335-F	AERATOR 55/64 PC SPRAY .35 GPM FEMALE VANDAL RESISTANT
	KN50-X201-A	AERATOR 55/64 PC SPRAY FEMALE .5 GPM VANDAL RESISTANT
	KN50-X120-M	AERATOR 55/64 PC SPRAY FEMALE 1.0 GPM
	KN50-X120S-06	AERATOR 55/64 ROSE SPRAY FEMALE 6.0 GPM
	KN50-X203-F	AERATOR 15/16 LAMINAR FEMALE 1.5 GPM VANDAL RESISTANT ANTI-MICROBIAL
	KN50-X203-A	AERATOR 15/16 PC SPRAY FEMALE .5 GPM VANDAL RESISTANT
	KN50-X203	AERATOR 15/16 STREAM FEMALE 2.2 GPM VANDAL RESISTANT
	KN50-X121	AERATOR 15/16 STREAM FEMALE 2.2 GPM
	KN50-X121-A	AERATOR 15/16 PC SPRAY FEMALE .5 GPM
	KN50-X121-F	AERATOR 15/16 LAMINAR FEMALE 1.5 ANTI-MICROBIAL
	KN50-X305-A	AERATOR 13/16-27 PC SPRAY FEMALE .5GPM VANDAL RESISTANT



DECK MOUNT BASE PRE-RINSE UNITS

KN73-1000 • KL73-1000 SERIES



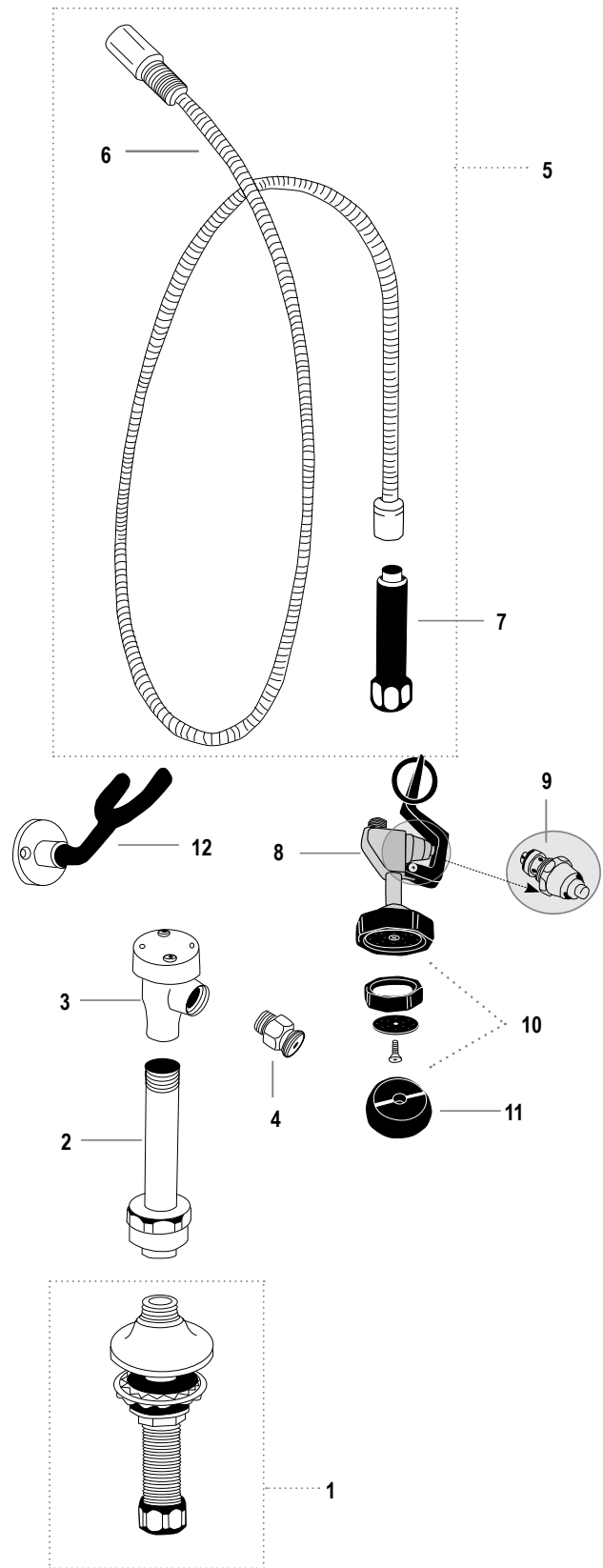
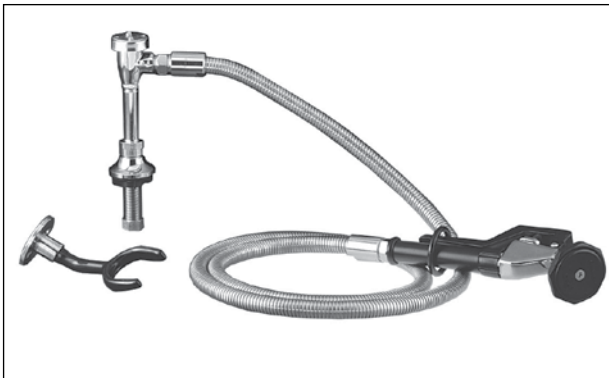
1	KL50-X125	FAUCET BODY ASSEMBLY
2	KL50-X122	SWIVEL TO RIGID ADAPTER
3	K50-Y020-Z	WALL BRACKET ASSEMBLY
	K50-Y020-6	WALL BRACKET ASSEMBLY, 6"
4	K50-Y011	HOOK/SCREW ASSEMBLY
5	KL50-X077	RISER, 18"
	KL50-X029	RISER, 24"
6	KL50-X032	SPRING RETAINER
7	K50-X033	SPRING
	K50-X178	SPRING, STAINLESS STEEL
8	KL50-Y004-20	HOSE ASSEMBLY WITH GRIP – 20"
	KL50-Y004-26	HOSE ASSEMBLY WITH GRIP – 26"
	KL50-Y004-36	HOSE ASSEMBLY WITH GRIP – 36"
	KL50-Y004-44	HOSE ASSEMBLY WITH GRIP – 44"
	KL50-Y004-60	HOSE ASSEMBLY WITH GRIP – 60"
	KL50-Y004-72	HOSE ASSEMBLY WITH GRIP – 72"
	KL50-Y004-96	HOSE ASSEMBLY WITH GRIP – 96"
9	KL50-Y010-20Z	HOSE ASSEMBLY ONLY – 20"
	KL50-Y010-26Z	HOSE ASSEMBLY ONLY – 26"
	KL50-Y010-36	HOSE ASSEMBLY ONLY – 36"
	KL50-Y010-44Z	HOSE ASSEMBLY ONLY – 44"
	KL50-Y010-60Z	HOSE ASSEMBLY ONLY – 60"
	KL50-Y010-72Z	HOSE ASSEMBLY ONLY – 72"
	KL50-Y010-96Z	HOSE ASSEMBLY ONLY – 96"
10	KN50-X025-Z	GRIP
11	KL50-Y00212XZ	PRE-RINSE SPRAY ASSEMBLY – 1.2 GPM
	KL50-Y00216XZ	PRE-RINSE SPRAY ASSEMBLY – 1.6 GPM
12	KL50-Y027	BUTTON VALVE ASSEMBLY
13	KL50-0200-16	SPRAY HEAD REPAIR KIT 1.6 GPM – INCLUDES BUTTON VALVE ASSY
14	KN50-X135	WATER SAVER FACE PLATE – 1.6 GPM
	KN50-X135-12	WATER SAVER FACE PLATE – 1.2 GPM
	KN50-X135-065	WATER SAVER FACE PLATE - .65 GPM

NOTE: FOR ADD-ON FAUCET, REFER TO PAGE _____.

DECK MOUNT BASE UTILITY SPRAY UNITS

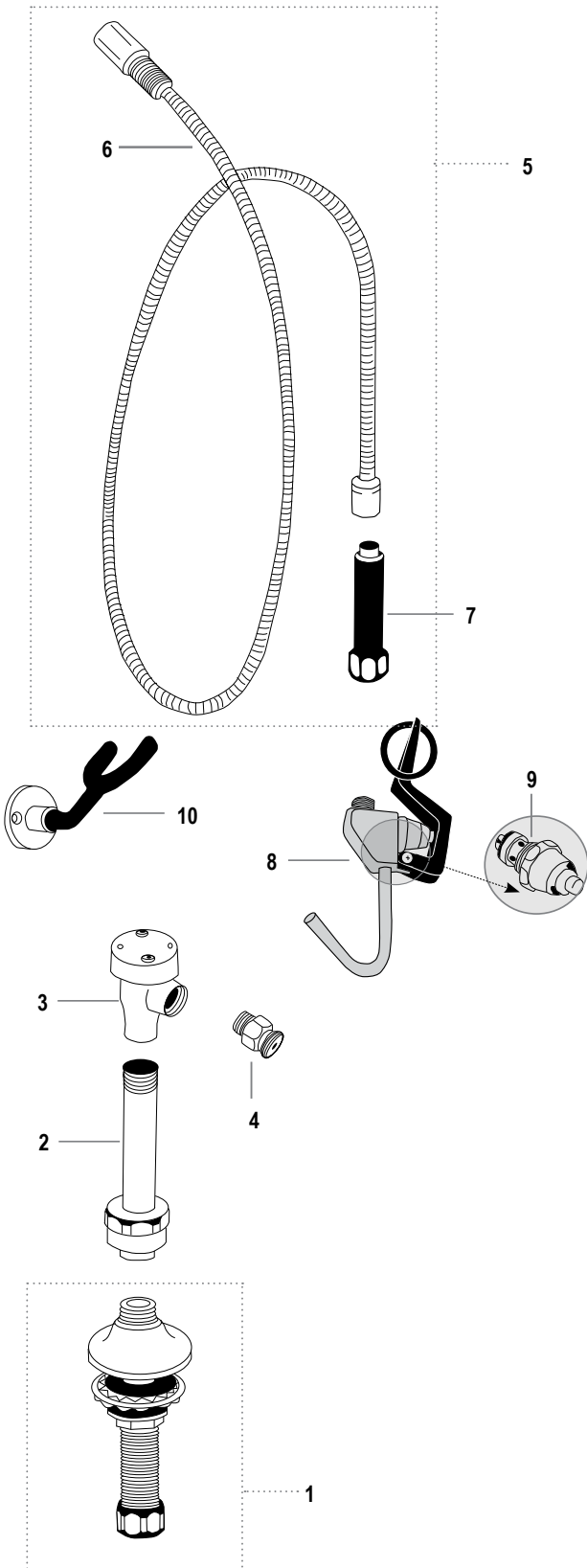
KN73-2000 • KL73-2000 SERIES

1	KL50-X125	DECK MOUNT BASE
2	KL50-Y026	SWING NOZZLE, 180 DEGREE
3	KL50-X137	VACUUM BREAKER, 3/8"
4	KL50-X128	HOSE ADAPTER, 3/8"
5	KL50-Y004-20	HOSE ASSEMBLY WITH GRIP – 20"
	KL50-Y004-26	HOSE ASSEMBLY WITH GRIP – 26"
	KL50-Y004-36	HOSE ASSEMBLY WITH GRIP – 36"
	KL50-Y004-44	HOSE ASSEMBLY WITH GRIP – 44"
	KL50-Y004-60	HOSE ASSEMBLY WITH GRIP – 60"
	KL50-Y004-72	HOSE ASSEMBLY WITH GRIP – 72"
	KL50-Y004-96	HOSE ASSEMBLY WITH GRIP – 96"
6	KL50-Y010-20Z	HOSE ASSEMBLY ONLY – 20"
	KL50-Y010-26Z	HOSE ASSEMBLY ONLY – 26"
	KL50-Y010-36	HOSE ASSEMBLY ONLY – 36"
	KL50-Y010-44Z	HOSE ASSEMBLY ONLY – 44"
	KL50-Y010-60Z	HOSE ASSEMBLY ONLY – 60"
	KL50-Y010-72Z	HOSE ASSEMBLY ONLY – 72"
	KL50-Y010-96Z	HOSE ASSEMBLY ONLY – 96"
7	KN50-X025-Z	GRIP
8	KL50-Y030-Z	ANGLED SPRAY VALVE ASSEMBLY
9	KL50-Y027	BUTTON VALVE ASSEMBLY
10	KL50-0200	SPRAY HEAD REPAIR KIT 3.3 GPM – INCLUDES BUTTON VALVE ASSY
	KL50-0200-16	SPRAY HEAD REPAIR KIT 1.6 GPM – INCLUDES BUTTON VALVE ASSY
11	KN50-X065-B	WATER SAVER FACE PLATE – 3.3 GPM
	KN50-X135	WATER SAVER FACE PLATE – 1.6 GPM
	KN50-X135-12	WATER SAVER FACE PLATE – 1.2 GPM
	KN50-X135-065	WATER SAVER FACE PLATE - .65 GPM
12	K50-Y012-Z	WALL HOOK

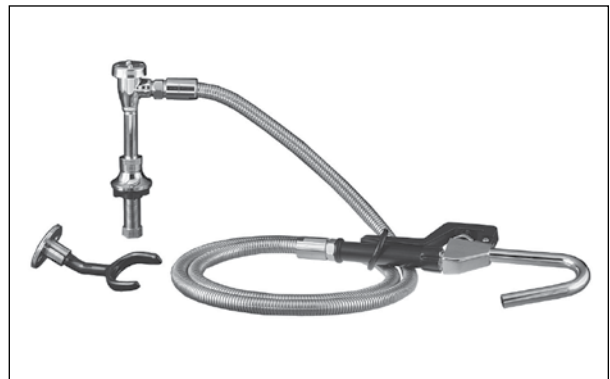


DECK MOUNT BASE POT FILLER UNITS

KN73-3000 • KL73-3000 SERIES



1	KL50-X125	DECK MOUNT BASE
2	KL50-Y026	SWING NOZZLE, 180 DEGREE
3	KL50-X137	VACUUM BREAKER, 3/8"
4	KL50-X128	HOSE ADAPTER, 3/8"
5	KL50-Y004-20	HOSE ASSEMBLY WITH GRIP – 20"
	KL50-Y004-26	HOSE ASSEMBLY WITH GRIP – 26"
	KL50-Y004-36	HOSE ASSEMBLY WITH GRIP – 36"
	KL50-Y004-44	HOSE ASSEMBLY WITH GRIP – 44"
	KL50-Y004-60	HOSE ASSEMBLY WITH GRIP – 60"
	KL50-Y004-72	HOSE ASSEMBLY WITH GRIP – 72"
6	KL50-Y004-96	HOSE ASSEMBLY WITH GRIP – 96"
	KL50-Y010-20Z	HOSE ASSEMBLY ONLY – 20"
	KL50-Y010-26Z	HOSE ASSEMBLY ONLY – 26"
	KL50-Y010-36	HOSE ASSEMBLY ONLY – 36"
	KL50-Y010-44Z	HOSE ASSEMBLY ONLY – 44"
	KL50-Y010-60Z	HOSE ASSEMBLY ONLY – 60"
7	KL50-Y010-72Z	HOSE ASSEMBLY ONLY – 72"
	KL50-Y010-96Z	HOSE ASSEMBLY ONLY – 96"
	KN50-X025-Z	GRIP
8	KL50-Y031-Z	HOOKE D SPRAY VALVE ASSEMBLY
9	KL50-Y027	BUTTON VALVE ASSEMBLY
10	K50-Y012-Z	WALL HOOK



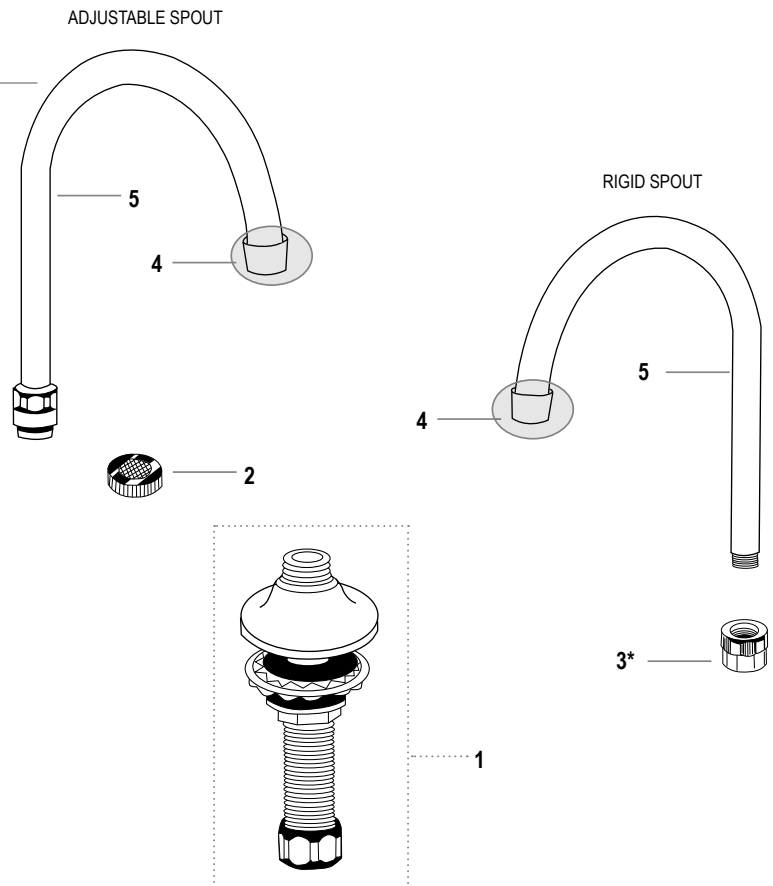
DECK MOUNT BASE – GOOSENECK SPOUT

KN74-9000 • KL74-9000 SERIES

1	KL50-X125	DECK MOUNT BASE
2	KL50-X132	STREAM REGULATOR SCREEN
3	KL50-X122	SWIVEL TO RIGID ADAPTER*
4	KN50-X120	AERATOR 55/64 STREAM FEMALE 2.2 GPM
	KN50-X201	AERATOR 55/64 STREAM FEMALE 2.2 GPM VANDAL RESISTANT
	KN50-X120-F	AERATOR 55/64 STREAM FEMALE 1.5 GPM ANTI-MICROBIAL
	KN50-X201-F	AERATOR 55/64 LAMINAR FEMALE 1.5 GPM VANDAL RESISTANT ANTI-MICROBIAL
	KN50-X120-A	AERATOR 55/64 STREAM FEMALE .5 GPM
	KN50-X235-F	AERATOR 55/64 PC SPRAY FEMALE .35 GPM
	KN50-X335-F	AERATOR 55/64 PC SPRAY .35 GPM FEMALE VANDAL RESISTANT
	KN50-X201-A	AERATOR 55/64 PC SPRAY FEMALE .5 GPM VANDAL RESISTANT
	KN50-X120-M	AERATOR 55/64 PC SPRAY FEMALE 1.0 GPM
	KN50-X120S-06	AERATOR 55/64 ROSE SPRAY FEMALE 6.0 GPM
	KN50-X203-F	AERATOR 15/16 LAMINAR FEMALE 1.5 GPM VANDAL RESISTANT ANTI-MICROBIAL
	KN50-X203-A	AERATOR 15/16 PC SPRAY FEMALE .5 GPM VANDAL RESISTANT
	KN50-X203	AERATOR 15/16 STREAM FEMALE 2.2 GPM VANDAL RESISTANT
	KN50-X121	AERATOR 15/16 STREAM FEMALE 2.2 GPM
	KN50-X121-A	AERATOR 15/16 PC SPRAY FEMALE .5 GPM
	KN50-X121-F	AERATOR 15/16 LAMINAR FEMALE 1.5 ANTI-MICROBIAL
KN50-X305-A	AERATOR 13/16-27 PC SPRAY FEMALE .5GPM VANDAL RESISTANT	
5	KS11-12-X000	GOOSENECK SPOUT, 3" ADJUSTABLE
	KS11-12-X002	GOOSENECK SPOUT, 6" ADJUSTABLE
	KS11-12-X001	GOOSENECK SPOUT, 8" ADJUSTABLE
	KS11-12-X100	GOOSENECK SPOUT, 3" RIGID
	KS11-12-X102	GOOSENECK SPOUT, 6" RIGID
	KS11-12-X101	GOOSENECK SPOUT, 8" RIGID



*FOR USE WITH ADJUSTABLE SPOUT

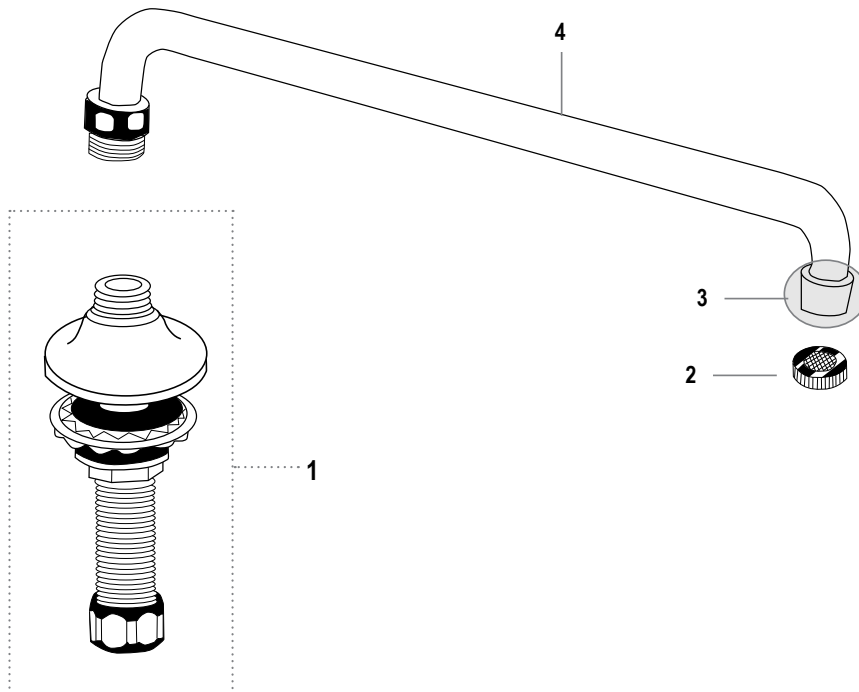


DECK MOUNT BASE – SWING SPOUT

KN74-9000 • KL74-9000 SERIES



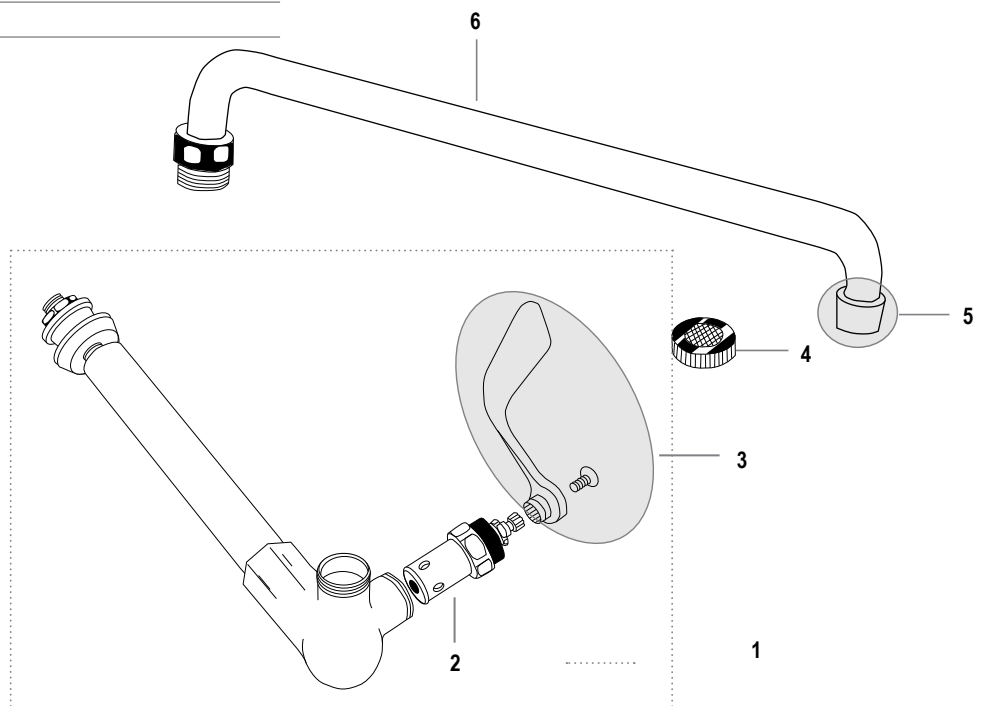
1	KL50-X125	DECK MOUNT BASE
2	KL50-X132	STREAM REGULATOR SCREEN
3	KN50-X120	AERATOR 55/64 STREAM FEMALE 2.2 GPM
	KN50-X201	AERATOR 55/64 STREAM FEMALE 2.2 GPM VANDAL RESISTANT
	KN50-X120-F	AERATOR 55/64 STREAM FEMALE 1.5 GPM ANTI-MICROBIAL
	KN50-X201-F	AERATOR 55/64 LAMINAR FEMALE 1.5 GPM VANDAL RESISTANT ANTI-MICROBIAL
	KN50-X120-A	AERATOR 55/64 STREAM FEMALE .5 GPM
	KN50-X235-F	AERATOR 55/64 PC SPRAY FEMALE .35 GPM
	KN50-X335-F	AERATOR 55/64 PC SPRAY .35 GPM FEMALE VANDAL RESISTANT
	KN50-X201-A	AERATOR 55/64 PC SPRAY FEMALE .5 GPM VANDAL RESISTANT
	KN50-X120-M	AERATOR 55/64 PC SPRAY FEMALE 1.0 GPM
	KN50-X120S-06	AERATOR 55/64 ROSE SPRAY FEMALE 6.0 GPM
	KN50-X203-F	AERATOR 15/16 LAMINAR FEMALE 1.5 GPM VANDAL RESISTANT ANTI-MICROBIAL
	KN50-X203-A	AERATOR 15/16 PC SPRAY FEMALE .5 GPM VANDAL RESISTANT
	KN50-X203	AERATOR 15/16 STREAM FEMALE 2.2 GPM VANDAL RESISTANT
	KN50-X121	AERATOR 15/16 STREAM FEMALE 2.2 GPM
KN50-X121-A	AERATOR 15/16 PC SPRAY FEMALE .5 GPM	
KN50-X121-F	AERATOR 15/16 LAMINAR FEMALE 1.5 ANTI-MICROBIAL	
KN50-X305-A	AERATOR 13/16-27 PC SPRAY FEMALE .5GPM VANDAL RESISTANT	
4	KS11-12-X006	TUBULAR SWING SPOUT, S/S, 6"
	KS11-12-X008	TUBULAR SWING SPOUT, S/S, 8"
	KS11-12-X010	TUBULAR SWING SPOUT, S/S, 10"
	KS11-12-X012	TUBULAR SWING SPOUT, S/S, 12"
	KS11-12-X014	TUBULAR SWING SPOUT, S/S, 14"
	KS11-12-X016	TUBULAR SWING SPOUT, S/S, 16"
	KS11-12-X018A	TUBULAR SWING SPOUT, S/S, 18"



SPLASH MOUNT WOK RANGE FAUCET –SWING SPOUT

KN76-9000 • KL76-9000 SERIES

1	KL76-Y001	FAUCET BODY ASSEMBLY
2	KL50-Y007	HOT VALVE ASSEMBLY
3	K50-0001	4" WRIST BLADE HANDLE
4	KL50-X132	STREAM REGULATOR SCREEN
5	KN50-X120	AERATOR 55/64 STREAM FEMALE 2.2 GPM
	KN50-X201	AERATOR 55/64 STREAM FEMALE 2.2 GPM VANDAL RESISTANT
	KN50-X120-F	AERATOR 55/64 STREAM FEMALE 1.5 GPM ANTI-MICROBIAL
	KN50-X201-F	AERATOR 55/64 LAMINAR FEMALE 1.5 GPM VANDAL RESISTANT ANTI-MICROBIAL
	KN50-X120-A	AERATOR 55/64 STREAM FEMALE .5 GPM
	KN50-X235-F	AERATOR 55/64 PC SPRAY FEMALE .35 GPM
	KN50-X335-F	AERATOR 55/64 PC SPRAY .35 GPM FEMALE VANDAL RESISTANT
	KN50-X201-A	AERATOR 55/64 PC SPRAY FEMALE .5 GPM VANDAL RESISTANT
	KN50-X120-M	AERATOR 55/64 PC SPRAY FEMALE 1.0 GPM
	KN50-X120S-06	AERATOR 55/64 ROSE SPRAY FEMALE 6.0 GPM
	KN50-X203-F	AERATOR 15/16 LAMINAR FEMALE 1.5 GPM VANDAL RESISTANT ANTI-MICROBIAL
	KN50-X203-A	AERATOR 15/16 PC SPRAY FEMALE .5 GPM VANDAL RESISTANT
	KN50-X203	AERATOR 15/16 STREAM FEMALE 2.2 GPM VANDAL RESISTANT
	KN50-X121	AERATOR 15/16 STREAM FEMALE 2.2 GPM
	KN50-X121-A	AERATOR 15/16 PC SPRAY FEMALE .5 GPM
	KN50-X121-F	AERATOR 15/16 LAMINAR FEMALE 1.5 ANTI-MICROBIAL
KN50-X305-A	AERATOR 13/16-27 PC SPRAY FEMALE .5GPM VANDAL RESISTANT	
6	KS11-12-X006	TUBULAR SWING SPOUT, S/S, 6"
	KS11-12-X008	TUBULAR SWING SPOUT, S/S, 8"
	KS11-12-X010	TUBULAR SWING SPOUT, S/S, 10"
	KS11-12-X012	TUBULAR SWING SPOUT, S/S, 12"
	KS11-12-X014	TUBULAR SWING SPOUT, S/S, 14"
	KS11-12-X016	TUBULAR SWING SPOUT, S/S, 16"
	KS11-12-X018A	TUBULAR SWING SPOUT, S/S, 18"
NOT SHOWN	K70-X002	ESCUTCHEON
	K70-X003	MOUNTING KIT

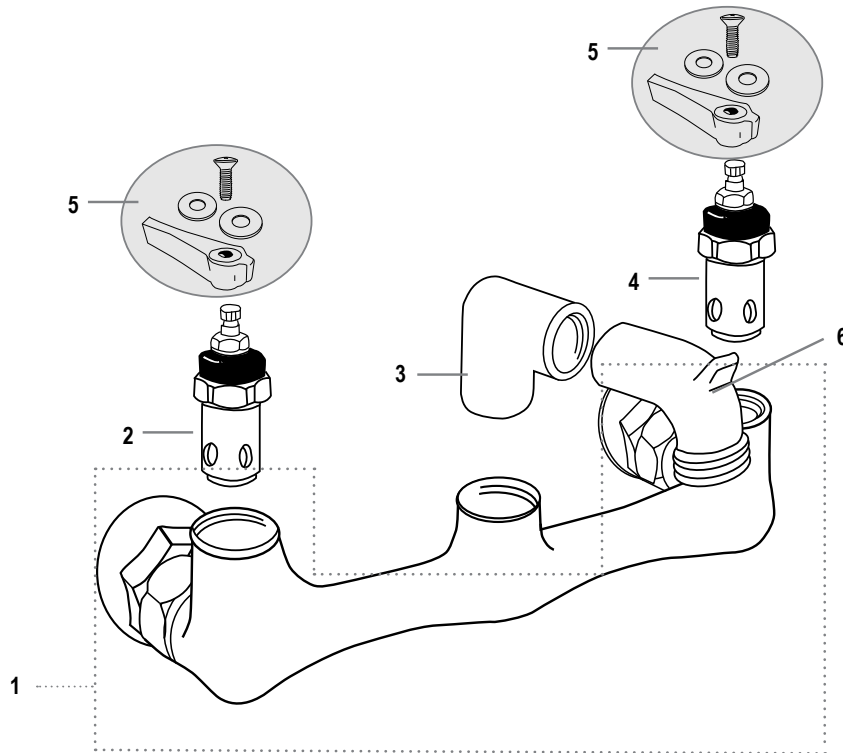


SERVICE SINK FAUCET – 8” O.C. – CAST SPOUT – WITHOUT VACUUM BREAKER

K77-8002



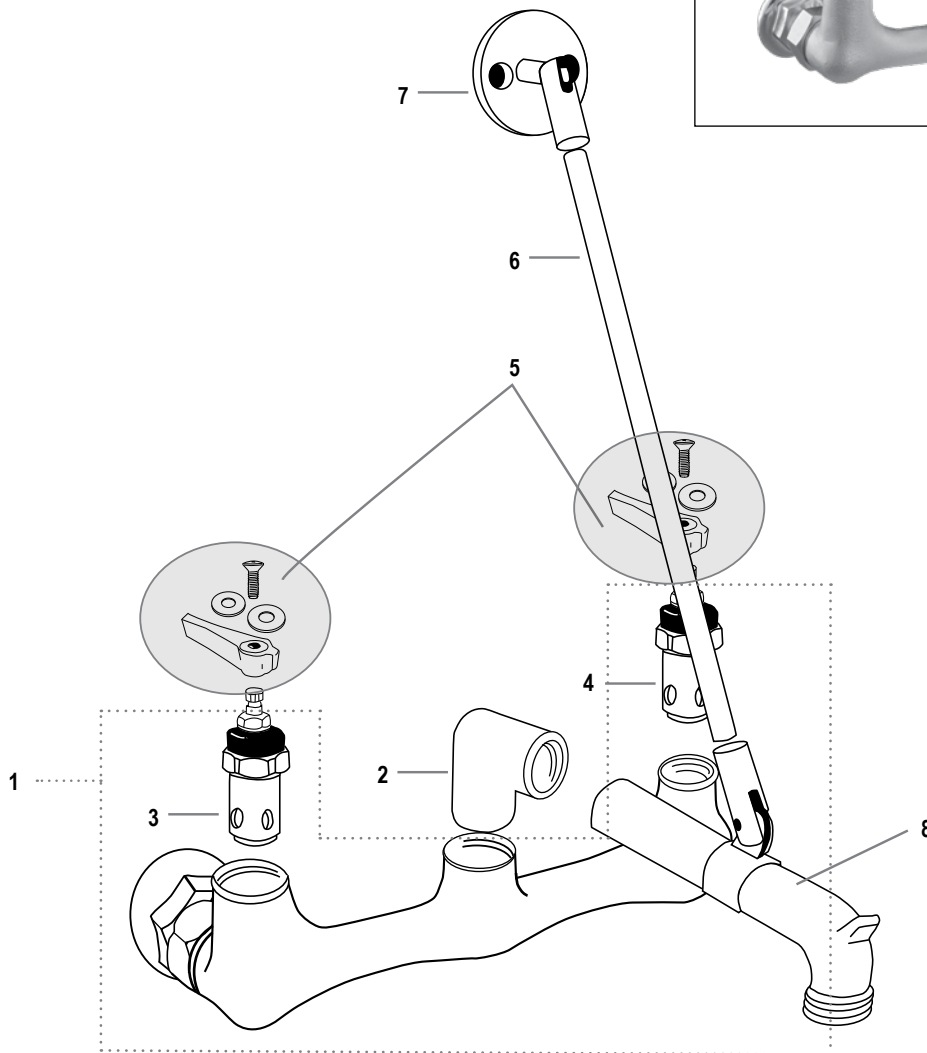
1	K77-Y003	FAUCET BODY ASSEMBLY
2	KL50-Y007	HOT VALVE ASSEMBLY – ¼ TURN – COMPRESSION
	KL50-Y007-CCV	HOT VALVE ASSEMBLY – ¼ TURN – CERAMIC
	KL50-Y007-KT	HOT VALVE ASSEMBLY – ¼ TURN – COMPRESSION – WITH HANDLE
	KL50-Y007CVKT	HOT VALVE ASSEMBLY – ¼ TURN – CERAMIC – WITH HANDLE
3	K77-X009	ELBOW
4	KL50-Y006	COLD VALVE ASSEMBLY – ¼ TURN – COMPRESSION
	KL50-Y006-CCV	COLD VALVE ASSEMBLY – ¼ TURN – CERAMIC
	KL50-Y006-KT	COLD VALVE ASSEMBLY – ¼ TURN – COMPRESSION – WITH HANDLE
	KL50-Y006CVKT	COLD VALVE ASSEMBLY – ¼ TURN – CERAMIC – WITH HANDLE
5	K50-0110	LEVER HANDLE REPLACEMENT KIT W/SCREW
	K50-0001	WRIST BLADE HANDLES, PAIR, 4"
	K50-0001-6	WRIST BLADE HANDLES, PAIR, 6"
6	K77-X003	SERVICE SINK SPOUT WITH PAIL HOOK – 5"



SERVICE SINK FAUCET – 8" O.C. –CAST SPOUT

K77-8006-BR

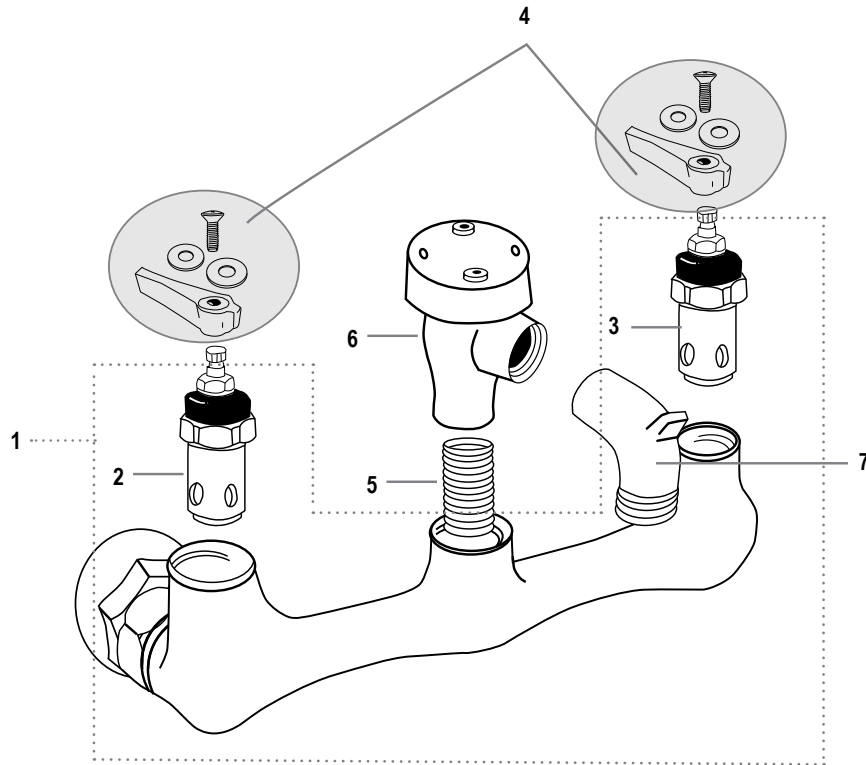
1	KL77-Y003-XZ	FAUCET BODY ASSEMBLY
2	K77-X009	ELBOW
3	KL50-Y007	HOT VALVE ASSEMBLY – ¼ TURN – COMPRESSION
	KL50-Y007-CCV	HOT VALVE ASSEMBLY – ¼ TURN – CERAMIC
	KL50-Y007-KT	HOT VALVE ASSEMBLY – ¼ TURN – COMPRESSION – WITH HANDLE
	KL50-Y007CVKT	HOT VALVE ASSEMBLY – ¼ TURN – CERAMIC – WITH HANDLE
4	KL50-Y006	COLD VALVE ASSEMBLY – ¼ TURN – COMPRESSION
	KL50-Y006-CCV	COLD VALVE ASSEMBLY – ¼ TURN – CERAMIC
	KL50-Y006-KT	COLD VALVE ASSEMBLY – ¼ TURN – COMPRESSION – WITH HANDLE
	KL50-Y006CVKT	COLD VALVE ASSEMBLY – ¼ TURN – CERAMIC – WITH HANDLE
5	K50-0110	LEVER HANDLE REPLACEMENT KIT W/SCREW
	K50-0001	WRIST BLADE HANDLES, PAIR, 4"
	K50-0001-6	WRIST BLADE HANDLES, PAIR, 6"
6	K77-X006	SUPPORT ROD
7	K77-Y002	WALL MOUNT ASSEMBLY
8	K77-Y001	SERVICE SINK SPOUT WITH PAIL HOOK – 9"



SERVICE SINK FAUCET – 8" O.C. –CAST SPOUT K77-8102



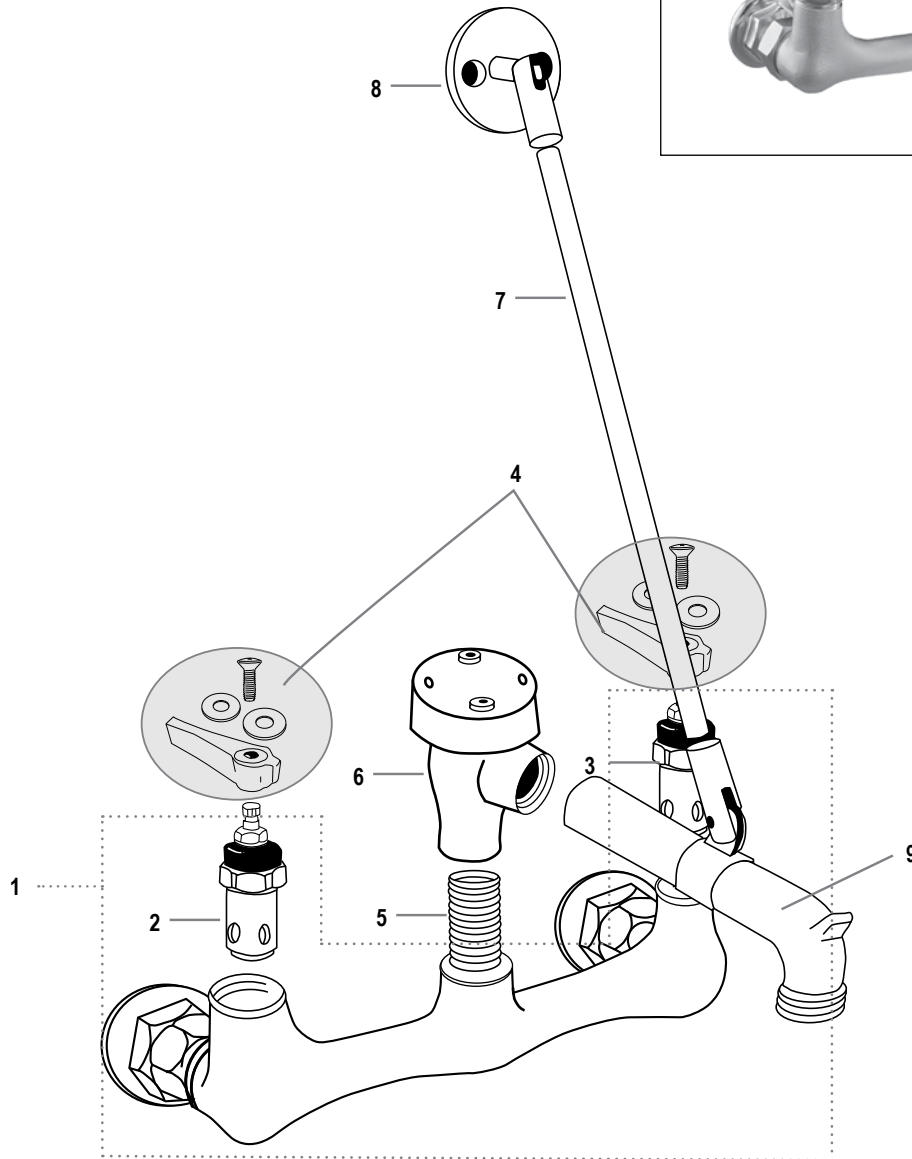
1	KL77-Y003-XZ	FAUCET BODY ASSEMBLY
2	KL50-Y007	HOT VALVE ASSEMBLY – ¼ TURN – COMPRESSION
	KL50-Y007-CCV	HOT VALVE ASSEMBLY – ¼ TURN – CERAMIC
	KL50-Y007-KT	HOT VALVE ASSEMBLY – ¼ TURN – COMPRESSION – WITH HANDLE
	KL50-Y007CVKT	HOT VALVE ASSEMBLY – ¼ TURN – CERAMIC – WITH HANDLE
3	KL50-Y006	COLD VALVE ASSEMBLY – ¼ TURN – COMPRESSION
	KL50-Y006-CCV	COLD VALVE ASSEMBLY – ¼ TURN – CERAMIC
	KL50-Y006-KT	COLD VALVE ASSEMBLY – ¼ TURN – COMPRESSION – WITH HANDLE
	KL50-Y006CVKT	COLD VALVE ASSEMBLY – ¼ TURN – CERAMIC – WITH HANDLE
4	K50-0110	LEVER HANDLE REPLACEMENT KIT W/SCREW
	K50-0001	WRIST BLADE HANDLES, PAIR, 4"
	K50-0001-6	WRIST BLADE HANDLES, PAIR, 6"
5	K77-X010	NIPPLE ½" NPT
6	K50-X138-S	VACUUM BREAKER – ½"
7	K77-Y001	SERVICE SINK SPOUT WITH PAIL HOOK – 5"



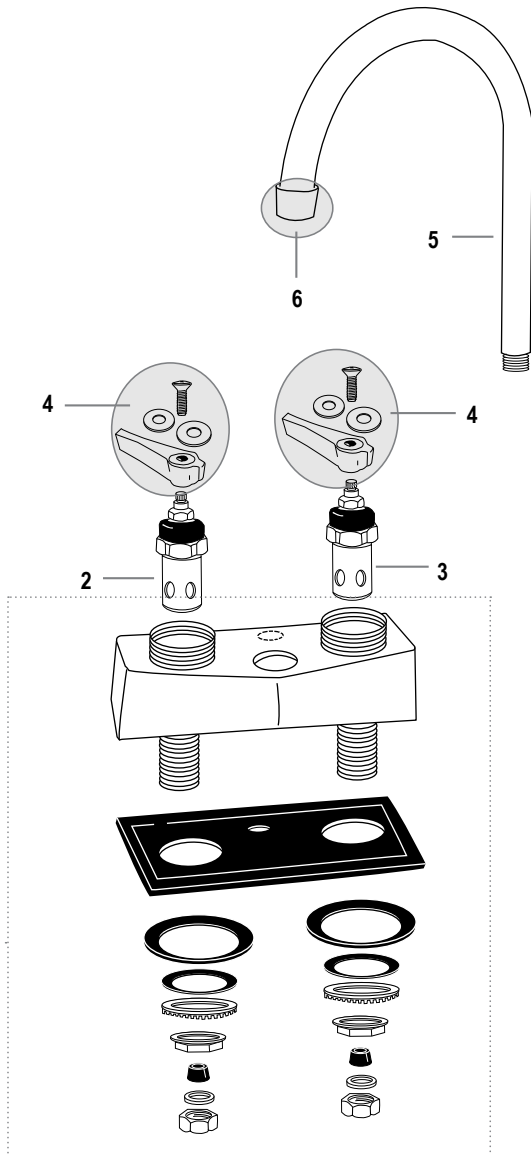
SERVICE SINK FAUCET – 8" O.C. –CAST SPOUT

K77-8106-BR

1	KL77-Y003-XZ	FAUCET BODY ASSEMBLY
2	KL50-Y007	HOT VALVE ASSEMBLY – ¼ TURN – COMPRESSION
	KL50-Y007-CCV	HOT VALVE ASSEMBLY – ¼ TURN – CERAMIC
	KL50-Y007-KT	HOT VALVE ASSEMBLY – ¼ TURN – COMPRESSION – WITH HANDLE
	KL50-Y007CVKT	HOT VALVE ASSEMBLY – ¼ TURN – CERAMIC – WITH HANDLE
3	KL50-Y006	COLD VALVE ASSEMBLY – ¼ TURN – COMPRESSION
	KL50-Y006-CCV	COLD VALVE ASSEMBLY – ¼ TURN – CERAMIC
	KL50-Y006-KT	COLD VALVE ASSEMBLY – ¼ TURN – COMPRESSION – WITH HANDLE
	KL50-Y006CVKT	COLD VALVE ASSEMBLY – ¼ TURN – CERAMIC – WITH HANDLE
4	K50-0110	LEVER HANDLE REPLACEMENT KIT W/SCREW
	K50-0001	WRIST BLADE HANDLES, PAIR, 4"
	K50-0001-6	WRIST BLADE HANDLES, PAIR, 6"
5	K77-X010	NIPPLE ½" NPT
6	K50-X138-S	VACUUM BREAKER – ½"
7	K77-X006	SUPPORT ROD
8	K77-Y002	WALL MOUNT ASSEMBLY
9	K77-Y001	SERVICE SINK SPOUT WITH PAIL HOOK – 5"



DECK MOUNT LAVATORY FAUCETS – 4" O.C. – GOOSENECK SPOUT KN83-4000 • KL83-4000 SERIES



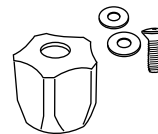
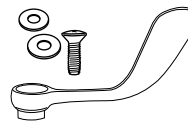
1	KL83-Y101	FAUCET BODY ASSEMBLY W/CERAMIC VALVES
2	KL50-Y007	HOT VALVE ASSEMBLY – ¼ TURN – COMPRESSION
	KL50-Y007-CCV	HOT VALVE ASSEMBLY – ¼ TURN – CERAMIC
	KL50-Y007-KT	HOT VALVE ASSEMBLY – ¼ TURN – COMPRESSION – WITH HANDLE
	KL50-Y007CVKT	HOT VALVE ASSEMBLY – ¼ TURN – CERAMIC – WITH HANDLE
3	KL50-Y006	COLD VALVE ASSEMBLY – ¼ TURN – COMPRESSION
	KL50-Y006-CCV	COLD VALVE ASSEMBLY – ¼ TURN – CERAMIC
	KL50-Y006-KT	COLD VALVE ASSEMBLY – ¼ TURN – COMPRESSION – WITH HANDLE
	KL50-Y006CVKT	COLD VALVE ASSEMBLY – ¼ TURN – CERAMIC – WITH HANDLE
4	K50-0110	LEVER HANDLE REPLACEMENT KIT W/SCREW
	K50-0001	WRIST BLADE HANDLES, PAIR, 4"
	K50-0001-6	WRIST BLADE HANDLES, PAIR, 6"
	K50-X117	DESIGNER HANDLES, PAIR
5	K50-X011	CROSSHANDLES, PAIR
	KS11-12-X100	GOOSENECK SPOUT, 3" RIGID
	KS11-12-X102	GOOSENECK SPOUT, 6" RIGID
	KS11-12-X101	GOOSENECK SPOUT, 8" RIGID
6	KN50-X120	AERATOR 55/64 STREAM FEMALE 2.2 GPM
	KN50-X201	AERATOR 55/64 STREAM FEMALE 2.2 GPM VANDAL RESISTANT
	KN50-X120-F	AERATOR 55/64 STREAM FEMALE 1.5 GPM ANTI-MICROBIAL
	KN50-X201-F	AERATOR 55/64 LAMINAR FEMALE 1.5 GPM VANDAL RESISTANT ANTI-MICROBIAL
	KN50-X120-A	AERATOR 55/64 STREAM FEMALE .5 GPM
	KN50-X235-F	AERATOR 55/64 PC SPRAY FEMALE .35 GPM
	KN50-X335-F	AERATOR 55/64 PC SPRAY .35 GPM FEMALE VANDAL RESISTANT
	KN50-X201-A	AERATOR 55/64 PC SPRAY FEMALE .5 GPM VANDAL RESISTANT
	KN50-X120-M	AERATOR 55/64 PC SPRAY FEMALE 1.0 GPM
	KN50-X120S-06	AERATOR 55/64 ROSE SPRAY FEMALE 6.0 GPM
	KN50-X203-F	AERATOR 15/16 LAMINAR FEMALE 1.5 GPM VANDAL RESISTANT ANTI-MICROBIAL
	KN50-X203-A	AERATOR 15/16 PC SPRAY FEMALE .5 GPM VANDAL RESISTANT
	KN50-X203	AERATOR 15/16 STREAM FEMALE 2.2 GPM VANDAL RESISTANT
	KN50-X121	AERATOR 15/16 STREAM FEMALE 2.2 GPM
	KN50-X121-A	AERATOR 15/16 PC SPRAY FEMALE .5 GPM
	KN50-X121-F	AERATOR 15/16 LAMINAR FEMALE 1.5 ANTI-MICROBIAL
	KN50-X305-A	AERATOR 13/16-27 PC SPRAY FEMALE .5GPM VANDAL RESISTANT

K50-0001
4" WRIST HANDLE KIT

K50-0001-6
6" WRIST HANDLE KIT

K50-X117 (1 PAIR)
DESIGNER HANDLE KIT

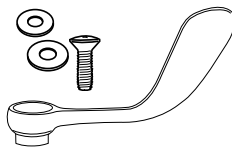
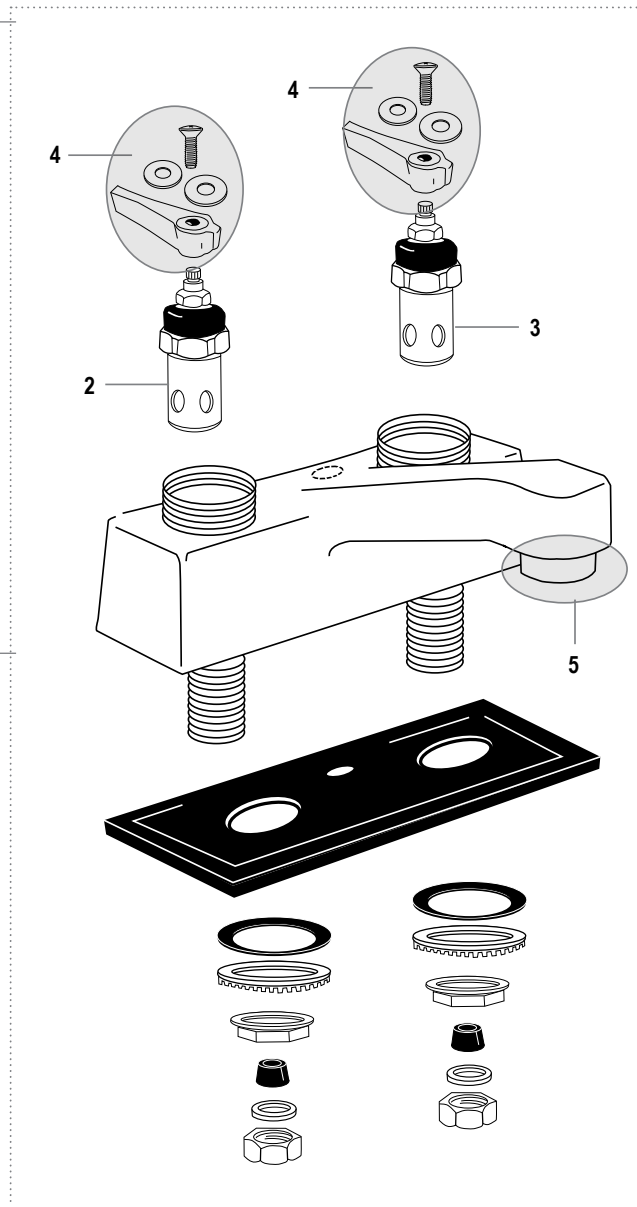
K50-0111
CROSS HANDLE KIT



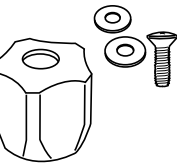
DECK MOUNT LAVATORY FAUCETS – 4" O.C. – CAST SPOUT

KN83-4000 • KL83-4000 SERIES

1	KL83-Y104-CA	FAUCET BODY ASSEMBLY
2	KL50-Y007	HOT VALVE ASSEMBLY – ¼ TURN – COMPRESSION
	KL50-Y007-CCV	HOT VALVE ASSEMBLY – ¼ TURN – CERAMIC
	KL50-Y007-KT	HOT VALVE ASSEMBLY – ¼ TURN – COMPRESSION – WITH HANDLE
	KL50-Y007CVKT	HOT VALVE ASSEMBLY – ¼ TURN – CERAMIC – WITH HANDLE
3	KL50-Y006	COLD VALVE ASSEMBLY – ¼ TURN – COMPRESSION
	KL50-Y006-CCV	COLD VALVE ASSEMBLY – ¼ TURN – CERAMIC
	KL50-Y006-KT	COLD VALVE ASSEMBLY – ¼ TURN – COMPRESSION – WITH HANDLE
	KL50-Y006CVKT	COLD VALVE ASSEMBLY – ¼ TURN – CERAMIC – WITH HANDLE
4	K50-0110	LEVER HANDLE REPLACEMENT KIT W/SCREW
	K50-0001	WRIST BLADE HANDLES, PAIR, 4"
	K50-0001-6	WRIST BLADE HANDLES, PAIR, 6"
	K50-X117	DESIGNER HANDLES, PAIR
	K50-0111	CROSS HANDLES, PAIR
5	KN50-X120	AERATOR 55/64 STREAM FEMALE 2.2 GPM
	KN50-X201	AERATOR 55/64 STREAM FEMALE 2.2 GPM VANDAL RESISTANT
	KN50-X120-F	AERATOR 55/64 STREAM FEMALE 1.5 GPM ANTI-MICROBIAL
	KN50-X201-F	AERATOR 55/64 LAMINAR FEMALE 1.5 GPM VANDAL RESISTANT ANTI-MICROBIAL
	KN50-X120-A	AERATOR 55/64 STREAM FEMALE .5 GPM
	KN50-X235-F	AERATOR 55/64 PC SPRAY FEMALE .35 GPM
	KN50-X335-F	AERATOR 55/64 PC SPRAY .35 GPM FEMALE VANDAL RESISTANT
	KN50-X201-A	AERATOR 55/64 PC SPRAY FEMALE .5 GPM VANDAL RESISTANT
	KN50-X120-M	AERATOR 55/64 PC SPRAY FEMALE 1.0 GPM
	KN50-X120S-06	AERATOR 55/64 ROSE SPRAY FEMALE 6.0 GPM
	KN50-X203-F	AERATOR 15/16 LAMINAR FEMALE 1.5 GPM VANDAL RESISTANT ANTI-MICROBIAL
	KN50-X203-A	AERATOR 15/16 PC SPRAY FEMALE .5 GPM VANDAL RESISTANT
	KN50-X203	AERATOR 15/16 STREAM FEMALE 2.2 GPM VANDAL RESISTANT
	KN50-X121	AERATOR 15/16 STREAM FEMALE 2.2 GPM
	KN50-X121-A	AERATOR 15/16 PC SPRAY FEMALE .5 GPM
	KN50-X121-F	AERATOR 15/16 LAMINAR FEMALE 1.5 ANTI-MICROBIAL
	KN50-X305-A	AERATOR 13/16-27 PC SPRAY FEMALE .5GPM VANDAL RESISTANT



K50-0001
4" WRIST HANDLE KIT



K50-0001-6
6" WRIST HANDLE KIT



K50-X117 (1 PAIR)
DESIGNER HANDLE KIT

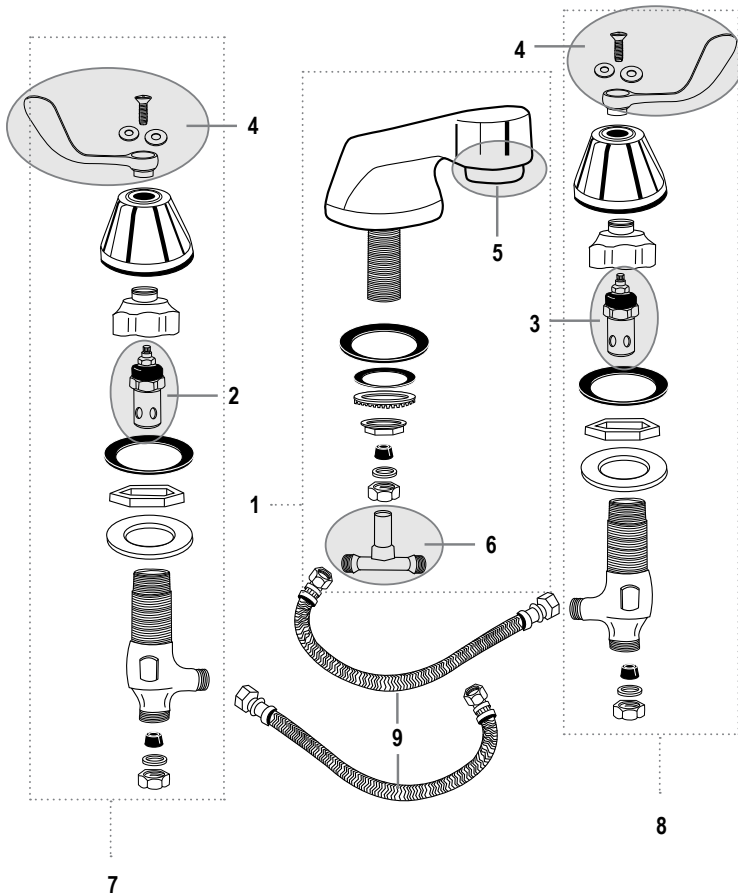
K50-0111
CROSS HANDLE KIT

DECK MOUNT WIDESPREAD FAUCETS – CAST SPOUT

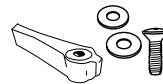
KN84-8000 • KL84-8000 SERIES



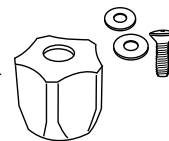
1	KL84-Y005-CE	CAST SPOUT BASE ASSEMBLY
2	KL50-Y007	HOT VALVE ASSEMBLY – ¼ TURN – COMPRESSION
	KL50-Y007-CCV	HOT VALVE ASSEMBLY – ¼ TURN – CERAMIC
	KL50-Y007-KT	HOT VALVE ASSEMBLY – ¼ TURN – COMPRESSION – WITH HANDLE
	KL50-Y007CVKT	HOT VALVE ASSEMBLY – ¼ TURN – CERAMIC – WITH HANDLE
3	KL50-Y006	COLD VALVE ASSEMBLY – ¼ TURN – COMPRESSION
	KL50-Y006-CCV	COLD VALVE ASSEMBLY – ¼ TURN – CERAMIC
	KL50-Y006-KT	COLD VALVE ASSEMBLY – ¼ TURN – COMPRESSION – WITH HANDLE
	KL50-Y006CVKT	COLD VALVE ASSEMBLY – ¼ TURN – CERAMIC – WITH HANDLE
4	K50-0110	LEVER HANDLE REPLACEMENT KIT W/SCREW
	K50-0001	WRIST BLADE HANDLES, PAIR, 4"
	K50-0001-6	WRIST BLADE HANDLES, PAIR, 6"
	K50-X117	DESIGNER HANDLES, PAIR
	K50-X011	CROSS HANDLES, PAIR
5	KN50-X120	AERATOR 55/64 STREAM FEMALE 2.2 GPM
	KN50-X201	AERATOR 55/64 STREAM FEMALE 2.2 GPM VANDAL RESISTANT
	KN50-X120-F	AERATOR 55/64 STREAM FEMALE 1.5 GPM ANTI-MICROBIAL
	KN50-X201-F	AERATOR 55/64 LAMINAR FEMALE 1.5 GPM VANDAL RESISTANT ANTI-MICROBIAL
	KN50-X120-A	AERATOR 55/64 STREAM FEMALE .5 GPM
	KN50-X235-F	AERATOR 55/64 PC SPRAY FEMALE .35 GPM
	KN50-X335-F	AERATOR 55/64 PC SPRAY .35 GPM FEMALE VANDAL RESISTANT
	KN50-X201-A	AERATOR 55/64 PC SPRAY FEMALE .5 GPM VANDAL RESISTANT
	KN50-X120-M	AERATOR 55/64 PC SPRAY FEMALE 1.0 GPM
	KN50-X120S-06	AERATOR 55/64 ROSE SPRAY FEMALE 6.0 GPM
	KN50-X203-F	AERATOR 15/16 LAMINAR FEMALE 1.5 GPM VANDAL RESISTANT ANTI-MICROBIAL
	KN50-X203-A	AERATOR 15/16 PC SPRAY FEMALE .5 GPM VANDAL RESISTANT
	KN50-X203	AERATOR 15/16 STREAM FEMALE 2.2 GPM VANDAL RESISTANT
	KN50-X121	AERATOR 15/16 STREAM FEMALE 2.2 GPM
KN50-X121-A	AERATOR 15/16 PC SPRAY FEMALE .5 GPM	
KN50-X121-F	AERATOR 15/16 LAMINAR FEMALE 1.5 ANTI-MICROBIAL	
KN50-X305-A	AERATOR 13/16-27 PC SPRAY FEMALE .5GPM VANDAL RESISTANT	
6	KL84-X038	TAIL TEE
7	KL84-Y101-HXZ	HOT VALVE HOUSING ASSEMBLY
8	KL84-Y101-CXZ	COLD VALVE HOUSING ASSEMBLY
9	KN84-X017	FLEXIBLE HOSE



K50-0110
LEVER HANDLE KIT



K50-X117 (1 PAIR)
DESIGNER HANDLE KIT



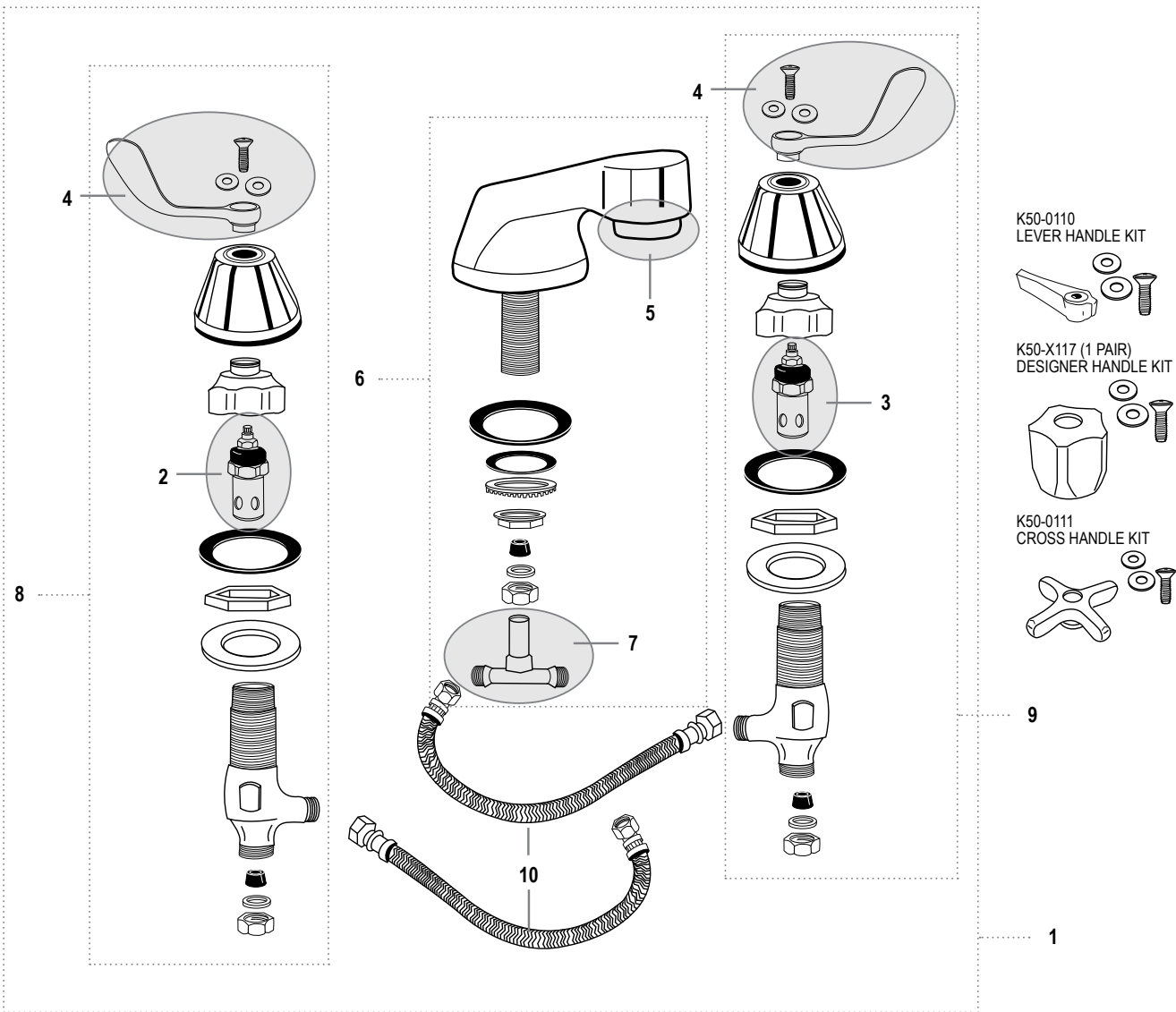
K50-0111
CROSS HANDLE KIT



DECK MOUNT WIDESPREAD FAUCET

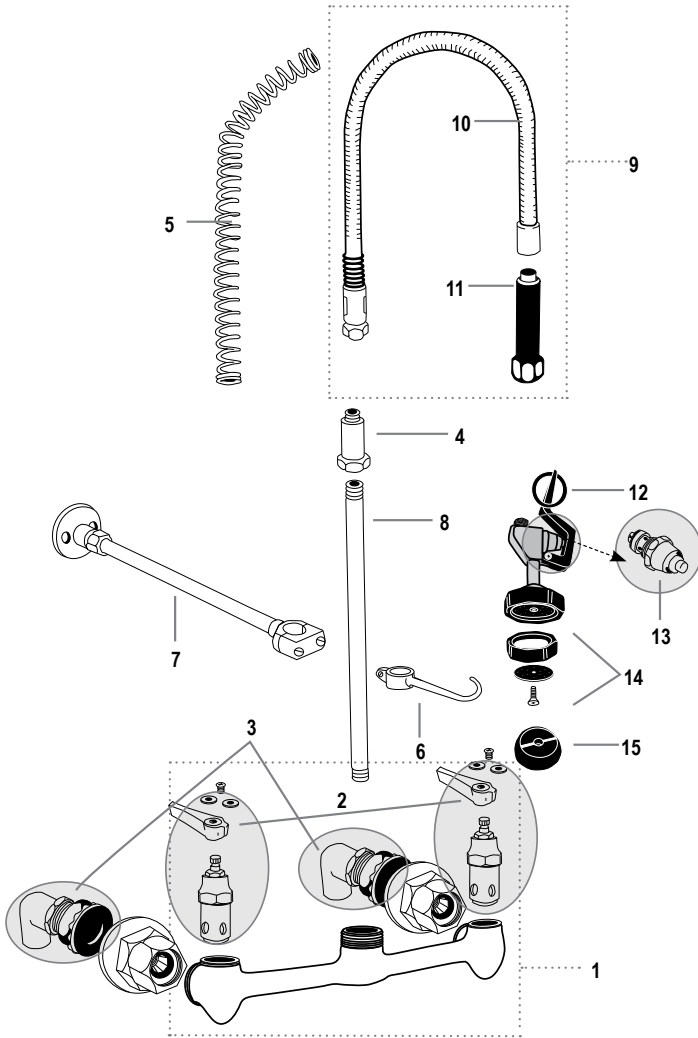
KL84-8105-CE4

1	KL84-8105-CE4	FAUCET BODY ASSEMBLY
2	KN50-Y007	HOT VALVE ASSEMBLY
3	KN50-Y006	COLD VALVE ASSEMBLY
4	K50-0001	4" WRIST HANDLE KIT
5	KN50-X120	2.2 GPM AERATOR
6	KN84-Y005-CA	5" CAST SPOUT BASE
7	KN84-X038	TAIL TEE
8	KN84-Y101-H	HOT VALVE HOUSING ASSEMBLY
9	KN84-Y101-C	COLD VALVE HOUSING ASSEMBLY
10	KN84-X017	FLEXIBLE HOSE



TOP-LINE® SPLASH MOUNT PRE-RINSE UNITS

TLL13-1100-BRZ • K13-1000 SERIES

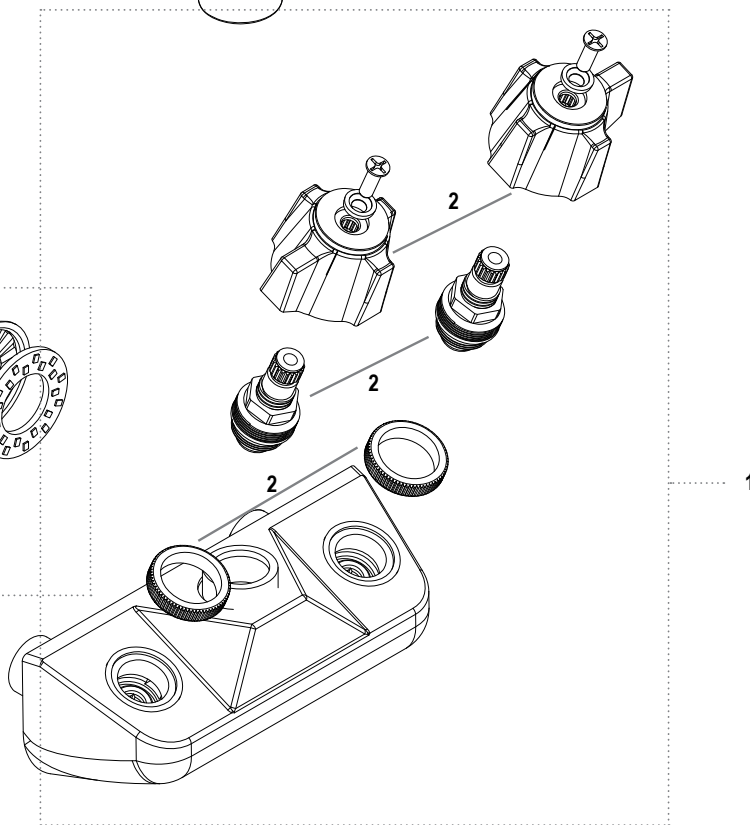
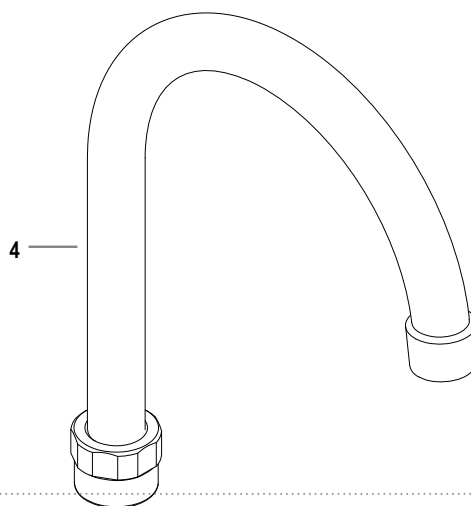


1	TLL13-Y003-CCVXZ	FAUCET BODY ASSEMBLY
2	TLL-0010	HANDLE REPLACEMENT KIT (INCLUDES HOT & COLD) CERAMIC ONLY
3	KL40-1000	MOUNTING KIT
	KL40-2020	MOUNTING KIT, CLOSE ELBOWS
4	KL50-X032	SPRING RETAINER
5	K50-X033	SPRING
6	K50-Y011	HOOK/SCREW ASSEMBLY
7	K50-Y020-Z	WALL BRACKET ASSEMBLY
8	KL50-X077	RISER, 18"
	KL50-X029	RISER, 24"
9	KC50-Y004-20	HOSE ASSEMBLY WITH GRIP – 20"
	KC50-Y004-26	HOSE ASSEMBLY WITH GRIP – 26"
	KC50-Y004-36	HOSE ASSEMBLY WITH GRIP – 36"
	KC50-Y004-44	HOSE ASSEMBLY WITH GRIP – 44"
	KC50-Y004-60	HOSE ASSEMBLY WITH GRIP – 60"
	KC50-Y004-72	HOSE ASSEMBLY WITH GRIP – 72"
	KC50-Y004-96	HOSE ASSEMBLY WITH GRIP – 96"
10	KC50-Y01020XZ	HOSE ASSEMBLY ONLY – 20"
	KC50-Y01026XZ	HOSE ASSEMBLY ONLY – 26"
	KC50-Y010-36	HOSE ASSEMBLY ONLY – 36"
	KC50-Y01044XZ	HOSE ASSEMBLY ONLY – 44"
	KC50-Y01060XZ	HOSE ASSEMBLY ONLY – 60"
	KC50-Y01072XZ	HOSE ASSEMBLY ONLY – 72"
	KC50-Y01096XZ	HOSE ASSEMBLY ONLY – 96"
11	KN50-X025-SGZ	GRIP
12	TLL13-Y003-16	PRE-RINSE SPRAY ASSEMBLY – 1.6 GPM
13	KL50-Y027	BUTTON VALVE ASSEMBLY
14	KL50-0200-16	SPRAY HEAD REPAIR KIT 1.6 GPM – INCLUDES BUTTON VALVE ASSY
15	KN50-X135	WATER SAVER FACE PLATE – 1.6 GPM
	KN50-X135-12	WATER SAVER FACE PLATE – 1.2 GPM
	KN50-X135-065	WATER SAVER FACE PLATE - .65 GPM
NOT SHOWN	KS11-06-X006	ADD-ON FAUCET, 6" (152mm)
	KS11-06-X008	ADD-ON FAUCET, 8" (203mm)
	KS11-06-X010	ADD-ON FAUCET, 10" (254mm)
	KS11-06-X012	ADD-ON FAUCET, 12" (305mm)
	KS11-06-X014	ADD-ON FAUCET, 14" (356mm)
	KS11-06-X016	ADD-ON FAUCET, 16" (406mm)
	KS11-06-X112	ADD-ON FAUCET, 12" (305mm) (FOR JOINTED APPLICATIONS)

TOP-LINE® 4" WALL MOUNT FAUCET

TLL15-4000 SERIES

1	TLL15-Y001-XZ	FAUCET BODY ASSEMBLY
2	TLL15-0010	TLL15 SERIES VALVE & SEAT REPLACEMENT KIT
3	K70-Y003	MOUNTING KIT
4	KS11-6-X000	GOOSENECK SPOUT, 3" ADJUSTABLE
	KS11-6-X002	GOOSENECK SPOUT, 6" ADJUSTABLE
	KS11-6-X001	GOOSENECK SPOUT, 8" ADJUSTABLE



MODEL NO.	PAGE NO.	MODEL NO.	PAGE NO.	MODEL NO.	PAGE NO.	MODEL NO.	PAGE NO.
1014A-10	203	D50-7200	176	E18-1822	182	FB16-182414	205
1014A-10A	203	D50-7200-RM	176	E18-1822-FL	182	FB16-202007	205
1014B-05	203	D50-7200-HN	176	E18-1824	182	FB16-202008	205
1014B-10B	203	D50-7215	176	E18-1840	182	FB16-202012	205
1416A-12	203	D50-X007	179	E18-1850	182	FB16-202014	205
1620A-08	203	D50-X010	179xs	E19-0123	184	FB16-202018	205
1620A-10	203	D53-7110	176	E19-0124	184	FB16-202021	205
1620A-12	203	D53-7115	176	E19-0126	184	FB16-212214	205
1620A-14A	203	D53-7210	176	E19-0344	184	FB16-242012	205
2020A-10	203	D53-7215	176	E19-0346	184	FB16-242412	205
2020A-12	203	D55-7510	199	E19-0348	184	FB16-242414	205
2020A-14A	203	D55-7510-R	199	E19-0383	184	FB80-2020	206
2424A-14A	203	D55-7515	199	E19-0384	184	FB80-X015	206
CHG-ENCOREFLOORDISP	10	D63-4150	177	E19-0386	184	FS17D-1014-10	201
CHG-ENC-CTDISPLAY	10	D63-4151	177	E19-1000	184	FS17L-1014-10	201
CHG-TOPLINEFLOORDISP	10	D63-4160	177	E19-1003	184	FS17R-1014-10	201
CHG-TOPLINECTDISPLAY	10	D63-4161	177	E19-1004	184	FS17D-10145AK1	202
D10-0001	179	D63-4590	177	E19-1006	184	FS17D-10145AK2	202
D10-0010	179	D63-4591	177	E19-1008	184	FS17D-1410-05XZ	202
D10-4150	175	D71-1000	237	E19-1123	184	FS17D141005K3	202
D10-4151	175	D83-4151-T	178	E19-1124	184	FS17D-14105H1	202
D10-4590	175	D83-4152-9T	178	E19-1126	184	FS18-090905B2	202
D10-4591	175	DBN-8000-X	174	E19-2003	184	FS18-090905H1	202
D10-7300	175	DBN-8000-SP1	174	E19-2004	184	FS19-090905L3	202
D10-7315	175	DBN-8015-SP1	174	E20-0120	184	FS20-101405H1	202
D10-7400	175	DBN-Y008	180	E20-0340	184	FS20-101405H2	202
D10-7415	175	DPL-8000	200	E20-0380	184	FS20-101405K5	202
D10-T001	181	DPL-8000-S	200	E20-1000	184	FS20-10145DK1	202
D10-X007-U	181	DPL-Y006	179	E20-1120	184	FS2010145B1XZ	202
D10-X008-U	181	DSS-0010	180	E22-4070	185	FS2010145B2XZ	202
D10-X009	181	DSS-8000-X	173	E22-4071	185	FS2010145D2XZ	202
D10-X010	181	DSS-8000-SP1	173	E22-4120	185	GBS15-1112-Q	172
D10-X011	181	DSS-8000-SP2	173	E22-4121	185	GBS15-1116-Q	172
D10-X012	181	DSS-8015	173	E22-4130	185	GBS15-1118-Q	172
D10-X013	181	DSS-8015-P	173	E22-4131	185	GBS15-1124-Q	172
D10-X013-VP	181	DSS-X002	180	E30-7703	185	GBS15-1130-Q	172
D10-X014	181	DSS-X004	180	E30-7744	179	GBS15-113030Q	172
D10-X014-VP	181	DSS-X018	180	E30-7745	179	GBS15-1132-Q	172
D10-X021	181	DSS-X022	180	E32-4900	182	GBS15-1136-Q	172
D10-X022	181	DSS-X027	180	E38-1010	182	GBS15-1142-Q	172
D10-X023	181	DSS-X031	180	E38-1012	182	GBS15-1148-Q	172
D10-X025	181	DSS-Y002	180	E38-4891	182	GBS15-1112-QP	172
D10-X026	181	DSS-Y002-SP1	180	E40-4890	185	GBS15-1116-QP	172
D10-X027	181	DSS-Y002-SP2	180	E40-4895	185	GBS15-1118-QP	172
D10-X029	181	DSS-Y003	180	E48-4660	184	GBS15-1124-QP	172
D10-X030	181	DSS-Y006	180	E50-1000	185	GBS15-1130-QP	172
D10-Y001	181	DSS-Y007	180	E50-1010	185	GBS15-1132-QP	172
D13-0002	179	E01-4090	183	E50-4580	184	GBS15-1136-QP	172
D13-7310	175	E01-4091	183	E50-X003	184	GBS15-1142-QP	172
D13-7315	175	E01-4092	183	E50-X004	184	GBS15-1148-QP	172
D13-7410	175	E02-4090	183	E51-1000	185	GBS15-4112-Q	172
D13-7415	175	E02-4090-BR	183	E52-1000	184	GBS15-4116-Q	172
D15-7510	199	E02-4091	183	E60-4081	183	GBS15-4118-Q	172
D15-7510-R	199	E02-4091-BR	183	E60-4082	183	GBS15-4124-Q	172
D15-7515	199	E02-4092	183	E60-4083	183	GBS15-4130-Q	172
D23-4150	177	E13-0240	184	E60-4085	183	GBS15-413030Q	172
D23-4151	177	E13-0242	184	E60-4088	183	GBS15-4132-Q	172
D23-4160	177	E13-0244	184	E80-2020	206	GBS15-4136-Q	172
D23-4161	177	E15-0220	184	E80-X010	206	GBS15-414030Q	172
D23-4590	177	E15-0222	184	E80-X015	206	GBS15-4142-Q	172
D23-4591	177	E15-0240	184	FB14-141806	204	GBS15-4148-Q	172
D34-4060	178	E15-0242	184	FB14-141810	204	K09-Y000-72S	246
D34-4161	178	E15-0244	184	FB14-162010	204	K09-Y010-72	246
D34-X001	181	E16-3010	183	FB14-162014	204	K11-Y250-G	229
D34-X015	176	E16-3020	183	FB14-162110	204	K11-Y251-G	229
D34-X016	176	E16-4010	183	FB14-181810	204	K11-Y252-G	229
D34-X017	176	E16-4011	183	FB14-181814	204	K11-Y253-G	229
D34-Y011	178	E16-4020	183	FB14-182414	204	K11-Y253-K	229
D34-Y011-MM	178	E16-4021	183	FB14-202006	204	K11-Y254-G	229
D36-2080	178	E16-4030	183	FB14-202008	204	K11-Y254-K	229
D50-0001	179	E16-4031	183	FB14-202014	204	K11-Y255-G	229
D50-0001-SP1	179	E16-4050	183	FB14-202414	204	K11-Y255-K	229
D50-0003	179	E16-4051	183	FB14-242414	204	K11-Y507	229
D50-0005	179	E16-4055	183	FB16-101409	205	K11-Y512	229
D50-0006	179	E16-4056	183	FB16-101410	205	K12-0450	225
D50-1000	180	E16-4060	183	FB16-121410	205	K16-X000	242
D50-2001	180	E16-4061	183	FB16-162012	205	K16-X002	242
D50-4150	176	E16-4171	183	FB16-162014	205	K16-X002-6X8	242
D50-4151	176	E16-4172	183	FB16-162021	205	K16-X006	242
D50-4590	176	E16-4173	183	FB16-181812	205	K19-X003	242
D50-4591	176	E16-4174	183	FB16-182014	205	K19-X005	242
D50-7100	176	E16-4200	183	FB16-182214	205	K19-X033	242
D50-7115	176	E16-4210	183	FB16-182412	205	K19-X035	242

INDEX

MODEL NO.	PAGE NO.	MODEL NO.	PAGE NO.	MODEL NO.	PAGE NO.	MODEL NO.	PAGE NO.
K19-Y004	242	K77-X009	239	KC50-Y01072XZ	51, 234	KE19-4000-SD1	144
K19-Y008	242	K77-X010	239	KC50-Y01096XZ	51, 234	KE19-4002-SC1	144
K21-X005	242	K77-Y010-11	239	KC53-1000	40	KE19-4100-SD1	144
K24-0110	247	K77-Y010-15	239	KC53-1000-AF1	41	KE19-4102-SD1	144
K24-0120	247	K77-X072	225	KC53-1000-AF2	41	KE21-7005-CA1	145
K24-0130	247	K77-Y001-P-XZ	239	KC53-1000-AF3	41	KE21-7005-CB1	145
K24-Y003	247	K77-Y001-UT	239	KC53-1000-AF4	41	KE21-7105-CA1	145
K25-0110	247	K77-Y001-UTP	239	KC53-1000-AF5	41	KE21-8105-CB1	145
K25-0330	247	K77-Y002	239	KC53-1000-AF6	41	KE25-B031-CA1	146
K25-X002	247	K77-Y003-P	239	KC53-1000-AF7	41	KE25-B131-CA1	146
K25-X003	247	K77-Y010-11	239	KC53-1000-BR	40	KE25-B031-CB1	146
K27-1000	166	K77-Y010-15	239	KC53-1100-AF1	43	KE25-B131-CB1	146
K27-2000	166	K77-Y017	239	KC53-1100-AF2	43	KE28-B031-CA1	146
K27-5015-SP	245	K77-Y017-P	239	KC53-1100-AF3	43	KE28-B131-CA1	146
K27-X001	245	K77-Y017-UT	239	KC53-1100-AF4	43	KE28-B031-CB1	146
K27-X002	245	K77-Y017-UTP	239	KC53-1100-AF5	43	KE28-B131-CB1	146
K27-Y001	245	K78-0010	227	KC53-1100-AF6	43	KHR-1015-O	207
K29-1300-VB	171	K78-0020	227	KC53-1100-AF7	43	KHR-1015-OSS	207
K29-4300-VB	171	K78-8106-BR1X	152	KC56-1000	42	KHR-1030-E	208
K30-1000	166, 245	K79-0200-VB	165	KC56-1000-AF1	43	KHR-1030-ESS	208
K30-1000-SB	166, 245	K79-1100-VBXZ	171	KC56-1000-AF2	43	KHR-1030-ESTG	208
K30-1010	166, 245	K79-1130-VB	171	KC56-1000-AF3	43	KHR-1030-O	207
K30-Y001	245	K79-3500-VB	171	KC56-1000-AF4	43	KHR-1030-OSS	207
K30-Y002	245	K79-3530-VB	171	KC56-1000-AF5	43	KHR-1035-E	208
K30-Y003	245	K79-4100-VB	171	KC56-1000-AF6	43	KHR-1035-ESS	208
K35-0117	227	K79-X003	239	KC56-1000-AF7	43	KHR-1035-O	207
K36-5000	165	K79-X004	239	KC56-1000-BR	42	KHR-1035-OSS	207
K36-6000	165	K79-X200	225	KC56-1100-AF1	41	KHR-1050-O	207
K40-X010	238	K79-Y110-48	171	KC56-1100-AF2	41	KHR-1050-OSS	207
K41-8201	162	K79-Y410-48	171	KC56-1100-AF3	41	KHR-1430	210
K41-8301-724A	162	K88-Y013	246	KC56-1100-AF4	41	KHR-1432	210
K41-8301-724S	162	K89-1006-TE1	155	KC56-1100-AF5	41	KHR-1433	212
K41-8301-96	162	K89-1106-TE1	155	KC56-1100-AF6	41	KHR-1434	213
K41-83PG-2347	162	K89-X030	239	KC56-1100-AF7	41	KHR-1436	214
K45-3100-VB44	163	K89-Y001	239	KC60-1000	44	KHR-1437	215
K45-3100-VB72	163	K94-0001-6PR	228	KC60-1000-AF1	45	KHR-1439	216
K45-3100-VB96	163	K94-0001-6S	228	KC60-1000-AF2	45	KHR-1444	217
K45-3101-V108	163	K94-0001-PR	228	KC60-1000-AF3	45	KHR-1457	218
K47-Y003	244	K94-0001-S	228	KC60-1000-AF4	45	KHR-1458	219
K50-0001	53, 227	K94-0110-PR	228	KC60-1000-AF5	45	KHR-1459	220
K50-0001-6	53, 227	K94-0110-S	228	KC60-1000-AF6	45	KHR-1HR1004	243
K50-0110	227	K95-0001-6PR	228	KC60-1000-AF7	45	KHR-2339	221
K50-0110-PR	227	K95-0001-6S	228	KC60-1000-BR	44	KHR-2339-S	221
K50-0111	53, 227	K95-0001-PR	228	KC60-1100-AF1	45	KHR-2339LR	22
K50-VBKIT	245	K95-0001-S	228	KC60-1100-AF2	45	KHR-5650-E	209
K50-VBKIT38	245	K95-0110-PR	228	KC60-1100-AF3	45	KHR-5650-ESS	209
K50-X016	53, 236	K95-0110-S	228	KC60-1100-AF4	45	KHR-600248	243
K50-X016-SP	53, 236	K95-0200	228	KC60-1100-AF5	45	KHR-601052-4	243
K50-X017	53, 236	K99-300602	167	KC60-1100-AF6	45	KHR-601052-7	243
K50-X033	50, 232	KA50-Y030	246	KC60-1100-AF7	45	KHR-X025	243
K50-X033-M	50, 232	KC50-1000	38	KC77-2136-VY2	149	KHR-Y1015-O	243
K50-X117	227	KC50-1000-AF1	39	KC77-2137-NW6	149	KHR-Y1015-OSS	243
K50-X134	227	KC50-1000-AF2	39	KC77-2137-VY6	149	KHR-Y1030-E	243
K50-X160	245	KC50-1000-AF3	39	KC77-5147-NW6	151	KHR-Y1030-ESS	243
K50-X178	50, 232	KC50-1000-AF4	39	KC77-5147-VY6	151	KHR-Y1030-O	243
K50-X203	47, 238	KC50-1000-AF5	39	KC77-8006-BR	147	KHR-Y1030-OSS	243
K50-X234	225	KC50-1000-AF6	39	KC77-8106-BR	147	KHR-Y1035-E	243
K50-X250	237	KC50-1000-AF7	39	KC89-1000-SE1	154	KHR-Y1035-ESS	243
K50-X251	237	KC50-1000-BR	39	KC89-1001-SE1	154	KHR-Y1035-O	243
K50-X254	237	KC50-1100-AF1	39	KC89-1002-SE1	154	KHR-Y1035-OSS	243
K50-X255	237	KC50-1100-AF2	39	KC89-1006-TE1	155	KHR-Y1050-O	243
K50-X301	222	KC50-1100-AF3	39	KC89-1012-SE1	152	KHR-Y1050-OSS	243
K50-Y010-C108	246	KC50-1100-AF4	39	KC89-1100-SE1	154	KHS-0001	227
K50-Y011	50, 232	KC50-1100-AF5	39	KC89-1101-SE1	154	KHS-0010	227
K50-Y012-Z	50, 232	KC50-1100-AF6	39	KC89-1102-SE1	154	KHS11-4000	197
K50-Y012-P	50, 232	KC50-1100-AF7	39	KC89-1112-SE1	154	KHS11-Y001	230
K50-Y020-Z	50, 232	KC50-Y004-20	51, 234	KC89-1162-VZ1	155	KHS15-4000	197
K50-Y023	246	KC50-Y004-20U	51, 234	KC89-3006-TE1	157	KHV-3850	244
K50-Y047	238	KC50-Y004-26	51, 234	KC89-3009-TE1	157	KL11-X002-12	249
K50-Y500-Z	50, 232	KC50-Y004-26U	51, 234	KC89-3032-VY1	157	KL11-X018	229
K50-Y604	49, 233	KC50-Y004-44	51, 234	KC89-3106-TE1	157	KL11-X080	48, 224
K53-PG-8WREV	164	KC50-Y004-44U	51, 234	KC89-3109-TE1	157	KL11-X106	229
K60-Y101-2	237	KC50-Y004-60	51, 234	KC89-3132-VY1	157	KL11-X412-DJ	229
K60-Y101-5	237	KC50-Y004-60U	51, 234	KC89-Y001	239	KL11-Y406	229
K70-X002	238	KC50-Y004-72	51, 234	KCV-0500	244	KL13-0010	249
K70-Y003	238	KC50-Y004-72U	51, 234	KCV-0750	244	KL18-0010	229
K77-8002	147	KC50-Y004-96	51, 234	KE19-1000-SC1	143	KL18-3170-XZ	166
K77-8006-BR	147	KC50-Y004-96U	51, 234	KE19-1000-SD1	143	KL19-X006	242
K77-8102	147	KC50-Y01020XZ	51, 234	KE19-1002-SC1	143	KL19-X024	242
K77-8106-BR	147	KC50-Y01026XZ	51, 234	KE19-1100-SD1	143	KL19-X025	47, 237, 242
K77-X003	239	KC50-Y01044XZ	51, 234	KE19-1102-SD1	143	KL19-X026	47, 237, 242
K77-X006	239	KC50-Y01060XZ	51, 234	KE19-4000-SC1	144	KL19-Y003-M	242

MODEL NO.	PAGE NO.	MODEL NO.	PAGE NO.	MODEL NO.	PAGE NO.	MODEL NO.	PAGE NO.
KL19-Y004-M	242	KL41-4101-SE1	89	KL45-8002-RE1	140	KL50-3100-VB	66
KL19-Y008-A-RPKIT	242	KL41-4102-RE1	89	KL45-8002-SE1	140	KL50-5026-12	33
KL19-Y008-B-RPKIT	242	KL41-4102-SE1	89	KL45-8006-SE1	141	KL50-5026-18	33
KL21-Y002-M	242	KL41-4106-SE1	90	KL45-8008-SE1	141	KL50-5032-12	33
KL22-0010	227	KL41-4106-TE1	90	KL45-8010-SE1	141	KL50-5032-18	33
KL22-3100	166	KL41-4108-SE1	90	KL45-8012-SE1	141	KL50-5526-12	33
KL22-3100-SB	166	KL41-4108-TE1	90	KL45-8014-SE1	141	KL50-5526-18	33
KL24-1100	168	KL41-4110-SE1	90	KL45-8016-SE1	141	KL50-5532-12	33
KL24-1200	168	KL41-4112-SE1	90	KL45-8018ASE1	141	KL50-5532-18	33
KL24-1302	168	KL41-4114-SE1	90	KL45-8100-RE1	140	KL50-MINI	15
KL25-1000	169	KL41-4116-SE1	90	KL45-8100-SE1	140	KL50-MINI-BR	15
KL25-2000	169	KL41-4118ASE1	90	KL45-8101-RE1	140	KL50-MINI-BS	15
KL25-3000	170	KL41-8000-RE1	93	KL45-8101-SE1	140	KL50-MINI-S	15
KL25-4000	170xs	KL41-8000-SE1	93	KL45-8102-RE1	140	KL50-QDISKFM	49, 233
KL26-0010	227	KL41-8001-RE1	93	KL45-8102-SE1	140	KL50-QDISKTS	49, 233
KL26-5000	166, 245	KL41-8001-SE1	93	KL45-8106-SE1	141	KL50-X029	231
KL26-5001	166, 245	KL41-8002-RE1	93	KL45-8108-SE1	141	KL50-X032	50, 233
KL26-5012	166, 245	KL41-8002-SE1	93	KL45-8110-SE1	141	KL50-X038	237
KL26-5012-SP	166, 245	KL41-8006-SE1	94	KL45-8112-SE1	141	KL50-X075	48, 224
KL26-5015-SP	166, 245	KL41-8008-SE1	94	KL45-8114-SE1	141	KL50-X076	48, 224
KL26-5015SP01	166, 245	KL41-8010-SE1	94	KL45-8116-SE1	141	KL50-X077	231
KL33-9010-SE2	81	KL41-8012-SE1	94	KL45-8118ASE1	141	KL50-X120-S	222
KL33-9018-SE2	81	KL41-8014-SE1	94	KL45-Y002-XZ	231	KL50-X120-SQ	222
KL33-9020-SE2	81	KL41-8016-SE1	94	KL45-Y002-CV	231	KL50-X122	48, 224
KL33-9028-SE2	81	KL41-8018ASE1	94	KL45-Y003	231	KL50-X123	231
KL33-Y001-XZ	240	KL41-8100-RE1	93	KL45-Y003-CV	231	KL50-X124	46, 232
KL34-1000-BR	21	KL41-8100-SE1	93	KL50-0200	53, 236	KL50-X125	231
KL34-1010-BR	21	KL41-8101-RE1	93	KL50-0200-16	513, 236	KL50-X127	48, 224
KL34-1012-BR	21	KL41-8101-SE1	93	KL50-0200-ECO	53, 236	KL50-X128	48, 224
KL34-1014-BR	21	KL41-8102-RE1	93	KL50-0220	52, 235	KL50-X129	48, 224
KL34-1018-BR	21	KL41-8102-SE1	93	KL50-0220-065	52, 235	KL50-X132	222
KL34-1022-BR	21	KL41-8106-SE1	94	KL50-0220-12	52, 235	KL50-X136	48, 224
KL34-8010	135	KL41-8108-SE1	94	KL50-0220-FS	52, 235	KL50-X137	247
KL34-8012	135	KL41-8110-SE1	94	KL50-0230	53, 236	KL50-X138	247
KL34-8014	135	KL41-8112-SE1	94	KL50-0232	53, 236	KL50-X138-S	247
KL34-8018	135	KL41-8114-SE1	94	KL50-0400	48, 224	KL50-X139	48, 224
KL34-Y001-XZ	239	KL41-8116-SE1	94	KL50-0500	47, 233	KL50-X139-B	468, 224
KL34-Y006	48, 226	KL41-8118ASE1	94	KL50-1000	16	KL50-X148	48, 224, 228
KL34-Y007	48, 226	KL41-Y002-XZ	231	KL50-1000-AF1	17	KL50-X149	48, 224, 228
KL34-Y010	238	KL41-Y002-CV	231	KL50-1000-AF2	17	KL50-X153-5	47, 233
KL34-Y012	238	KL41-Y003	231	KL50-1000-AF3	17	KL50-X153-7	47, 233
KL34-Y014	238	KL41-Y003CVXZ	231	KL50-1000-AF4	17	KL50-X153-8	47, 233
KL34-Y018	238	KL41-Y004-XZ	231	KL50-1000-AF5	17	KL50-X153-12	47, 233
KL34-Y022	238	KL41-Y006	48, 226	KL50-1000-AF6	17	KL50-X153-14	47, 233
KL34-Y110	240	KL41-Y006-CV	48, 226	KL50-1000-AF7	17	KL50-X153-26	47, 233
KL35-7010	46, 240	KL41-Y006-KT	48, 226	KL50-1000-BR	16	KL50-X153-32	47, 233
KL35-7012	46, 240	KL41-Y006CVKT	48, 226	KL50-1000-BS	16	KL50-X153-S	237
KL35-7014	46, 240	KL41-Y007	48, 226	KL50-1000-S	16	KL50-X160	247
KL35-7018	46, 240	KL41-Y007-CV	48, 226	KL50-10L2	16	KL50-X194	48, 224
KL35-X009	240	KL41-Y007-KT	48, 226	KL50-10L2-BR	16	KL50-X196	48, 224
KL35-Y001-XZ	240	KL41-Y007CVKT	48, 226	KL50-10L2-BS	16	KL50-X196-SP	48, 224
KL35-Y003	240	KL43-4050	244	KL50-10L2-S	16	KL50-X197	244
KL35-Y007	48, 226	KL45-4000-RE1	137	KL50-10L3	16	KL50-X198	244
KL35-Y226-2	240	KL45-4000-SE1	137	KL50-10L3-BR	16	KL50-X201-KS	223
KL36-8010	106	KL45-4001-RE1	137	KL50-10L3-BS	16	KL50-X203	47, 238
KL36-8012	106	KL45-4001-SE1	137	KL50-10L3-S	16	KL50-X203-S	222
KL36-8018	106	KL45-4002-RE1	137	KL50-1100	16	KL50-X204-S	222
KL40-1000	50, 233	KL45-4002-SE1	137	KL50-1100-AF1	17	KL50-X220	237
KL40-2000	50, 233	KL45-4006-SE1	138	KL50-1100-AF2	17	KL50-X230	47, 238
KL40-2020	50, 233	KL45-4008-SE1	138	KL50-1100-AF3	17	KL50-Y000	52, 235
KL40-3400	50, 240	KL45-4010-SE1	138	KL50-1100-AF4	17	KL50-Y000-60	52, 235
KL40-3410	240	KL45-4012-SE1	138	KL50-1100-AF5	17	KL50-Y000-PRB	46, 232
KL41-4000-RE1	89	KL45-4014-SE1	138	KL50-1100-AF6	17	KL50-Y0004412	52, 235
KL41-4000-SE1	89	KL45-4016-SE1	138	KL50-1100-AF7	17	KL50-Y001-XZ	46, 230
KL41-4001-RE1	89	KL45-4018ASE1	138	KL50-1100-BR	16	KL50-Y001-CCV	44, 228
KL41-4001-SE1	89	KL45-4100-RE1	137	KL50-1100-BS	16	KL50-Y002	52, 235
KL41-4002-RE1	89	KL45-4100-SE1	137	KL50-1100-S	16	KL50-Y002-065	52, 235
KL41-4002-SE1	89	KL45-4101-RE1	137	KL50-11L2	16	KL50-Y002-FS	52, 235
KL41-4006-SE1	90	KL45-4101-SE1	137	KL50-11L2-BR	16	KL50-Y00212XZ	52, 235
KL41-4006-TE1	90	KL45-4102-RE1	137	KL50-11L2-BS	16	KL50-Y004-20	51, 234
KL41-4008-SE1	90	KL45-4102-SE1	137	KL50-11L2-S	16	KL50-Y004-20U	51, 234
KL41-4008-TE1	90	KL45-4106-SE1	138	KL50-11L3	16	KL50-Y004-26	51, 234
KL41-4010-SE1	90	KL45-4108-SE1	138	KL50-11L3-BR	16	KL50-Y004-26U	51, 234
KL41-4012-SE1	90	KL45-4110-SE1	138	KL50-11L3-BS	16	KL50-Y004-36	51, 234
KL41-4014-SE1	90	KL45-4112-SE1	138	KL50-11L3-S	16	KL50-Y004-36U	51, 234
KL41-4016-SE1	90	KL45-4114-SE1	138	KL50-2000	54	KL50-Y004-44	51, 234
KL41-4018ASE1	90	KL45-4116-SE1	138	KL50-2000-VB	54	KL50-Y004-44S	52, 235
KL41-4054-GR4	91	KL45-4118ASE1	138	KL50-2100	54	KL50-Y004-44U	51, 234
KL41-4054-KR4	91	KL45-8000-RE1	140	KL50-2100-VB	54	KL50-Y004-60	51, 234
KL41-4100-RE1	89	KL45-8000-SE1	140	KL50-3000	66	KL50-Y004-60U	51, 234
KL41-4100-SE1	89	KL45-8001-RE1	140	KL50-3000-VB	66	KL50-Y004-72	51, 234
KL41-4101-RE1	89	KL45-8001-SE1	140	KL50-3100	66	KL50-Y004-72U	51, 234

MODEL NO.	PAGE NO.	MODEL NO.	MODEL NO.	MODEL NO.	PAGE NO.	MODEL NO.	PAGE NO.
KL50-Y004-96	51, 234	KL53-1000-AF2	19	KL54-8024-SE1	134	KL56-5526-12	35
KL50-Y004-96U	51, 234	KL53-1000-AF3	19	KL54-8100-RE1	133	KL56-5526-18	35
KL50-Y006	48, 226	KL53-1000-AF4	19	KL54-8100-SE1	133	KL56-5532-12	35
KL50-Y006-CCV	48, 226	KL53-1000-AF5	19	KL54-8101-RE1	133	KL56-5532-18	35
KL50-Y006-KT	48, 226	KL53-1000-AF6	19	KL54-8101-SE1	133	KL56-Y003	46, 230
KL50-Y006CVKT	48, 226	KL53-1000-AF7	19	KL54-8102-RE1	133	KL57-4000-RE1	96
KL50-Y007	48, 226	KL53-1000-BR	18	KL54-8102-SE1	133	KL57-4000-SE1	96
KL50-Y007-CCV	48, 226	KL53-1000-BS	18	KL54-8106-SE1	134	KL57-4001-RE1	96
KL50-Y007-KT	48, 226	KL53-1000-S	18	KL54-8108-SE1	134	KL57-4001-SE1	96
KL50-Y007CVKT	48, 226	KL53-10L2	18	KL54-8110-SE1	134	KL57-4002-RE1	96
KL50-Y010-20Z	51, 234	KL53-10L2-BR	18	KL54-8112-SE1	134	KL57-4002-SE1	96
KL50-Y010-26Z	51, 234	KL53-10L2-BS	18	KL54-8114-SE1	134	KL57-4006-SE1	97
KL50-Y010-32Z	51, 234	KL53-10L2-S	18	KL54-8116-SE1	134	KL57-4008-SE1	97
KL50-Y010-44Z	51, 234	KL53-10L3	18	KL54-8118-SE1	134	KL57-4010-SE1	97
KL50-Y010-60Z	51, 234	KL53-10L3-BR	18	KL54-8118ASE1	134	KL57-4012-SE1	97
KL50-Y010-72Z	51, 234	KL53-10L3-BS	18	KL54-8124-SE1	134	KL57-4014-SE1	97
KL50-Y010-96Z	51, 234	KL53-10L3-S	18	KL54-Y001-XZ	230	KL57-4016-SE1	97
KL50-Y015-15Z	52, 235	KL53-1100	18	KL54-Y001CVXZ	230	KL57-4018-SE1	97
KL50-Y016-44	51, 234	KL53-1100-AF1	19	KL55-7006	30-37, 46, 233	KL57-4018ASE1	97
KL50-Y016-44U	51, 234	KL53-1100-AF2	19	KL55-7008	30-37, 46, 233	KL57-4100-RE1	96
KL50-Y016-72	51, 234	KL53-1100-AF3	19	KL55-7010	30-37, 46, 233	KL57-4100-SE1	96
KL50-Y025	47, 237	KL53-1100-AF4	19	KL55-7012	30-37, 46, 233	KL57-4101-RE1	96
KL50-Y026	47, 237	KL53-1100-AF5	19	KL55-7014	30-37, 46, 233	KL57-4101-SE1	96
KL50-Y027	53, 236	KL53-1100-AF6	19	KL55-7016	30-37, 46, 233	KL57-4102-RE1	96
KL50-Y030-Z	52, 235	KL53-1100-AF7	19	KL55-7018	30-37, 46, 233	KL57-4102-SE1	96
KL50-Y031-Z	52, 235	KL53-1100-BR	18	KL55-7018ASE1	30-37, 46, 233	KL57-4106-SE1	97
KL50-Y050-12	50, 232	KL53-1100-BS	18	KL55-X002	237	KL57-4108-SE1	97
KL50-Y050-18	50, 232	KL53-1100-S	18	KL55-X009	237	KL57-4110-SE1	97
KL50-Y051	50, 232	KL53-11L2	18	KL55-Y001-Z	46, 232	KL57-4112-SE1	97
KL50-Y210-22	52, 235	KL53-11L2-BR	18	KL55-Y002-Z	49, 233	KL57-4114-SE1	97
KL50-Y210-28Z	52, 235	KL53-11L2-BS	18	KL55-Y010	49, 249	KL57-4116-SE1	97
KL50-Y226-2	47, 237	KL53-11L2-S	18	KL55-Y011	49	KL57-4118-SE1	97
KL50-Y226-11	47, 237	KL53-11L3	18	KL56-1000	22	KL57-4118ASE1	97
KL50-Y226-18	47, 237	KL53-11L3-BR	18	KL56-1000-AF1	23	KL57-Y003	230
KL50-Y226-24	47, 237	KL53-11L3-BS	18	KL56-1000-AF2	23	KL58-4012-SE1	99
KL50-Y226-26	47, 237	KL53-11L3-S	18	KL56-1000-AF3	23	KL58-4112-SE1	99
KL50-Y226-32	47, 237	KL53-2000	55	KL56-1000-AF4	23	KL60-1000	24
KL50-Y2612RPB	46, 232	KL53-2000-SP2	56	KL56-1000-AF5	23	KL60-1000-AF1	25
KL50-Y400-44	246	KL53-2000-SP6	57	KL56-1000-AF6	23	KL60-1000-AF2	25
KL50-Y400-44K	246	KL53-2000-SP7	58	KL56-1000-AF7	23	KL60-1000-AF3	25
KL50-Y401-44Z	51, 234	KL53-2000-VB	55	KL56-1000-BR	22	KL60-1000-AF4	25
KL50-Y402	246	KL53-2100	55	KL56-1000-BS	22	KL60-1000-AF5	25
KL50-Y403	246	KL53-2100-SP6	57	KL56-1000-S	22	KL60-1000-AF6	25
KL51-9000-RE1	85	KL53-2100-VB	55	KL56-10L2	22	KL60-1000-AF7	25
KL51-9000-SE1	85	KL53-3000	67	KL56-10L2-BR	22	KL60-1000-BR	24
KL51-9001-RE1	85	KL53-3000-VB	67	KL56-10L2-BS	22	KL60-1000-BS	24
KL51-9001-SE1	85	KL53-3100	67	KL56-10L2-S	22	KL60-1000-S	24
KL51-9002-RE1	85	KL53-3100-VB	67	KL56-10L3	22	KL60-10L2	24
KL51-9002-SE1	85	KL53-5026-12	34	KL56-10L3-BR	22	KL60-10L2-BR	24
KL51-9100-RE1	85	KL53-5026-18	34	KL56-10L3-BS	22	KL60-10L2-BS	24
KL51-9100-SE1	85	KL53-5032-12	34	KL56-10L3-S	22	KL60-10L2-S	24
KL51-9101-RE1	85	KL53-5032-18	34	KL56-1100	22	KL60-10L3	24
KL51-9101-SE1	85	KL53-5526-12	34	KL56-1100-AF1	23	KL60-10L3-BR	24
KL51-9102-RE1	85	KL53-5526-18	34	KL56-1100-AF2	23	KL60-10L3-BS	24
KL51-9102-SE1	85	KL53-5532-12	34	KL56-1100-AF3	23	KL60-10L3-S	24
KL51-9006-SE1	85	KL53-5532-18	34	KL56-1100-AF4	23	KL60-1100	24
KL51-9006-TE1	85	KL53-MINI	20	KL56-1100-AF5	23	KL60-1100-AF1	25
KL51-9008-SE1	85	KL53-MINI-BR	20	KL56-1100-AF6	23	KL60-1100-AF2	23
KL51-9008-TE1	85	KL53-MINI-BS	20	KL56-1100-AF7	23	KL60-1100-AF3	25
KL51-9010-SE1	85	KL53-MINI-S	20	KL56-1100-BR	22	KL60-1100-AF4	25
KL51-9012-SE1	85	KL53-Y001-XZ	46, 230	KL56-1100-BS	22	KL60-1100-AF5	25
KL51-9014-SE1	85	KL53-Y001-CCV	46, 230	KL56-1100-S	22	KL60-1100-AF6	25
KL51-9016-SE1	85	KL54-1000-RE4	159	KL56-11L2	22	KL60-1100-AF7	25
KL51-9018-SE1	85	KL54-1001-RE4	159	KL56-11L2-BR	22	KL60-1100-BR	24
KL51-9018ASE1	85	KL54-1002-RE4	159	KL56-11L2-BS	22	KL60-1100-BS	24
KL51-9024-SE1	85	KL54-1100-RE4	159	KL56-11L2-S	22	KL60-1100-S	24
KL51-9106-SE1	85	KL54-1101-RE4	159	KL56-11L3	22	KL60-11L2	24
KL51-9106-TE1	85	KL54-1102-RE4	159	KL56-11L3-BR	22	KL60-11L2-BR	24
KL51-9108-SE1	85	KL54-8000-RE1	133	KL56-11L3-BS	22	KL60-11L2-BS	24
KL51-9108-TE1	85	KL54-8000-SE1	133	KL56-11L3-S	22	KL60-11L2-S	24
KL51-9110-SE1	85	KL54-8001-RE1	133	KL56-2000	59	KL60-11L3	24
KL51-9112-SE1	85	KL54-8001-SE1	133	KL56-2000-VB	59	KL60-11L3-BR	24
KL51-9114-SE1	85	KL54-8002-RE1	133	KL56-2100	59	KL60-11L3-BS	24
KL51-9116-SE1	85	KL54-8002-SE1	133	KL56-2100-VB	59	KL60-11L3-S	24
KL51-9118-SE1	85	KL54-8006-SE1	134	KL56-3000	68	KL60-2000	60
KL51-9118ASE1	85	KL54-8008-SE1	134	KL56-3000-VB	68	KL60-2000-VB	60
KL51-9124-SE1	85	KL54-8010-SE1	134	KL56-3100	68	KL60-2100	60
KL51-Y001	230	KL54-8012-SE1	134	KL56-3100-VB	68	KL60-2100-VB	60
KL52-9012-SE1	87	KL54-8014-SE1	134	KL56-5026-12	35	KL60-3000	69
KL52-9018-SP1	87	KL54-8016-SE1	134	KL56-5026-18	35	KL60-3000-VB	69
KL53-1000	18	KL54-8018-SE1	134	KL56-5032-12	35	KL60-3100	69
KL53-1000-AF1	19	KL54-8018ASE1	134	KL56-5032-18	35	KL60-3100-VB	69

MODEL NO.	PAGE NO.	MODEL NO.	PAGE NO.	MODEL NO.	PAGE NO.	MODEL NO.	PAGE NO.
KL60-5012-12	36	KL63-Y005	47, 237	KL66-3100-VB	71	KL70-9010-SE1	128
KL60-5026-12	36	KL64-9000-RE1	78	KL66-5026-12	37	KL70-9012-SE1	128
KL60-5026-18	36	KL64-9000-SE1	78	KL66-5026-18	37	KL70-9013-DP1	128
KL60-5032-12	36	KL64-9001-RE1	78	KL66-5032-12	37	KL70-9014-SE1	128
KL60-5032-18	36	KL64-9001-SE1	78	KL66-5032-18	37	KL70-9016-SE1	128
KL60-5526-12	36	KL64-9002-RE1	78	KL66-5526-12	37	KL70-9018-DP1	128
KL60-5526-18	36	KL64-9002-SE1	78	KL66-5526-18	37	KL70-9018-SE1	128
KL60-5532-12	36	KL64-9006-SE1	79	KL66-5532-12	37	KL70-9024-SE1	128
KL60-5532-18	36	KL64-9006-TE1	79	KL66-5532-18	37	KL70-9100-RE1	126
KL60-Y001	46, 230	KL64-9008-SE1	79	KL66-Y001-XZ	230	KL70-9100-SE1	126
KL60-Y003-XZ	230	KL64-9008-TE1	79	KL66-Y003	46, 230, 232	KL70-9101-RE1	126
KL60-Y003-CCV	230	KL64-9010-SE1	79	KL67-6000-RE1	101	KL70-9101-SE1	126
KL60-Y004	47, 238	KL64-9012-SE1	79	KL67-6000-SE1	101	KL70-9102-RE1	126
KL60-Y005	47, 238	KL64-9014-SE1	79	KL67-6001-RE1	101	KL70-9102-SE1	126
KL60-Y006	47, 238	KL64-9016-SE1	79	KL67-6001-SE1	101	KL70-9106-SE1	128
KL60-Y010	50, 233	KL64-9018-SE1	79	KL67-6002-RE1	101	KL70-9106-TE1	128
KL60-Y012	47, 238	KL64-9024-SE1	79	KL67-6002-SE1	101	KL70-9108-SE1	128
KL60-Y013	47, 238	KL64-9100-RE1	78	KL67-6006-SE1	102	KL70-9108-TE1	128
KL60-Y114	47, 238	KL64-9100-SE1	78	KL67-6008-SE1	102	KL70-9110-SE1	128
KL61-8000-RE1	104	KL64-9101-RE1	78	KL67-6010-SE1	102	KL70-9112-SE1	128
KL61-8000-SE1	104	KL64-9101-SE1	78	KL67-6012-SE1	102	KL70-9113-DP1	128
KL61-8001-RE1	104	KL64-9102-RE1	78	KL67-6014-SE1	102	KL70-9114-SE1	128
KL61-8001-SE1	104	KL64-9102-SE1	78	KL67-6016-SE1	102	KL70-9116-SE1	128
KL61-8002-RE1	104	KL64-9106-SE1	79	KL67-6018-SE1	102	KL70-9118-DP1	128
KL61-8002-SE1	104	KL64-9106-TE1	79	KL67-6018ASE1	102	KL70-9118-SE1	128
KL61-8006-SE1	105	KL64-9108-SE1	79	KL67-6100-RE1	101	KL70-9124-SE1	128
KL61-8008-SE1	105	KL64-9108-TE1	79	KL67-6100-SE1	101	KL70-X003	237
KL61-8010-SE1	105	KL64-9110-SE1	79	KL67-6101-RE1	101	KL70-Y001-XZ	230
KL61-8012-SE1	105	KL64-9112-SE1	79	KL67-6101-SE1	101	KL70-Y002	230
KL61-8014-SE1	105	KL64-9114-SE1	79	KL67-6102-RE1	101	KL71-1000	31
KL61-8016-SE1	105	KL64-9116-SE1	79	KL67-6102-SE1	101	KL71-1000-BR	31
KL61-8018-SE1	105	KL64-9118-SE1	79	KL67-6106-SE1	102	KL71-1000-BS	31
KL61-8018ASE1	105	KL64-9124-SE1	79	KL67-6108-SE1	102	KL71-1000-S	31
KL61-8100-RE1	104	KL64-Y001	230	KL67-6110-SE1	102	KL71-10L2	31
KL61-8100-SE1	104	KL65-9010-SE1	80	KL67-6112-SE1	102	KL71-10L2-BR	31
KL61-8101-RE1	104	KL65-9012-SE1	80	KL67-6114-SE1	102	KL71-10L2-BS	31
KL61-8101-SE1	104	KL65-9018-SP1	80	KL67-6116-SE1	102	KL71-10L2-S	31
KL61-8102-RE1	104	KL66-1000	28	KL67-6118-SE1	102	KL71-10L3	31
KL61-8102-SE1	104	KL66-1000-AF1	29	KL67-6118ASE1	102	KL71-10L3-BR	31
KL61-8106-SE1	105	KL66-1000-AF2	29	KL69-1000	30	KL71-10L3-BS	31
KL61-8108-SE1	105	KL66-1000-AF3	29	KL69-1000-BR	30	KL71-10L3-S	31
KL61-8110-SE1	105	KL66-1000-AF4	29	KL69-1000-BS	30	KL71-1100	31
KL61-8112-SE1	105	KL66-1000-AF5	29	KL69-1000-S	30	KL71-1100-BR	31
KL61-8114-SE1	105	KL66-1000-AF6	29	KL69-10L2	30	KL71-1100-BS	31
KL61-8116-SE1	105	KL66-1000-AF7	29	KL69-10L2-BR	30	KL71-1100-S	31
KL61-8118-SE1	105	KL66-1000-BR	28	KL69-10L2-BS	30	KL71-11L2	31
KL61-8118ASE1	105	KL66-1000-BS	28	KL69-10L2-S	30	KL71-11L2-BR	31
KL61-Y001	230	KL66-1000-S	28	KL69-10L3	30	KL71-11L2-BS	31
KL63-1000	26	KL66-10L2	28	KL69-10L3-BR	30	KL71-11L2-S	31
KL63-1000-BR	26	KL66-10L2-BR	28	KL69-10L3-BS	30	KL71-11L3	31
KL63-1000-BS	26	KL66-10L2-BS	28	KL69-10L3-S	30	KL71-11L3-BR	31
KL63-1000-GS	27	KL66-10L2-S	28	KL69-1100	30	KL71-11L3-BS	31
KL63-1000-S	26	KL66-10L3	28	KL69-1100-BR	30	KL71-11L3-S	31
KL63-10L2	26	KL66-10L3-BR	28	KL69-1100-BS	30	KL71-2000	64
KL63-10L2-BR	26	KL66-10L3-BS	28	KL69-1100-S	30	KL71-2000-VB	64
KL63-10L2-BS	26	KL66-10L3-S	28	KL69-11L2	30	KL71-3000	73
KL63-10L2-S	26	KL66-1100	28	KL69-11L2-BR	30	KL71-3000-VB	73
KL63-10L3	26	KL66-1100-AF1	29	KL69-11L2-BS	30	KL72-9000	124
KL63-10L3-BR	26	KL66-1100-AF2	29	KL69-11L2-S	30	KL72-9000-R	124
KL63-10L3-BS	26	KL66-1100-AF3	29	KL69-11L3	30	KL72-9001	124
KL63-10L3-S	26	KL66-1100-AF4	29	KL69-11L3-BR	30	KL72-9001-R	124
KL63-1100	26	KL66-1100-AF5	29	KL69-11L3-BS	30	KL72-9002	124
KL63-1100-BR	26	KL66-1100-AF6	29	KL69-11L3-S	30	KL72-9002-R	124
KL63-1100-BS	26	KL66-1100-AF7	29	KL69-2000	63	KL72-9006	124
KL63-1100-GS	27	KL66-1100-BR	28	KL69-2000-VB	63	KL72-9008	124
KL63-1100-S	26	KL66-1100-BS	28	KL69-2100	63	KL72-9010	124
KL63-11L2	26	KL66-1100-S	28	KL69-2100-VB	63	KL72-9012	124
KL63-11L2-BS	26	KL66-11L2	28	KL69-3000	72	KL72-9014	124
KL63-11L2-S	26	KL66-11L2-BR	28	KL69-3000-VB	72	KL72-9016	124
KL63-11L3	26	KL66-11L2-BS	28	KL69-3100	72	KL72-9018	124
KL63-11L3-BR	26	KL66-11L2-S	28	KL69-3100-VB	72	KL72-9018-SV1	8, 124
KL63-11L3-BS	26	KL66-11L3	28	KL69-Y001	46, 232	KL73-1000	32
KL63-11L3-S	26	KL66-11L3-BR	28	KL70-9000-RE1	126	KL73-1000-BR	32
KL63-2000	61	KL66-11L3-BS	28	KL70-9000-SE1	126	KL73-1000-BS	32
KL63-2000-VB	61	KL66-11L3-S	28	KL70-9001-RE1	126	KL73-1000-S	32
KL63-2100	61	KL66-2000	62	KL70-9001-SE1	126	KL73-10L2	32
KL63-2100-VB	61	KL66-2000-VB	62	KL70-9002-RE1	126	KL73-10L2-BR	32
KL63-3000	70	KL66-2100	62	KL70-9002-SE1	126	KL73-10L2-BS	32
KL63-3000-VB	70	KL66-2100-VB	62	KL70-9006-SE1	128	KL73-10L2-S	32
KL63-3100	70	KL66-3000	71	KL70-9006-TE1	128	KL73-10L3	32
KL63-3100-VB	70	KL66-3000-VB	71	KL70-9008-SE1	128	KL73-10L3-BR	32
KL63-Y001-XZ	46, 230	KL66-3100	71	KL70-9008-TE1	128	KL73-10L3-BS	32

INDEX

MODEL NO.	PAGE NO.	MODEL NO.	PAGE NO.	MODEL NO.	PAGE NO.	MODEL NO.	PAGE NO.
KL73-10L3-S	32	KL84-Y101-CXZ	231	KN50-X121-F	222	KS11-12-X001QT	228
KL73-2000	65	KL84-Y101-HXZ	231	KN50-X121-M	222	KS11-12-X002	229
KL73-2000-VB	65	KL84-Y201-U	231	KN50-X135	53, 236	KS11-12-X002Q	229
KL73-3000	74	KL85-4000-RE1	112	KN50-X135-065	53, 236	KS11-12-X002QC	228
KL73-3000-VB	74	KL85-4001-RE1	112	KN50-X035-12	53, 236	KS11-12-X002QT	228
KL74-9000	76	KL85-4002-RE1	112	KN50-X152	238	KS11-12-X006	229
KL74-9000-R	76	KL85-4004-CE1	112	KN50-X201	223	KS11-12-X006Q	229
KL74-9001	76	KL85-4100-RE1	112	KN50-X201-A	223	KS11-12X006QC	228
KL74-9001-R	76	KL85-4101-RE1	112	KN50-X201-F	223	KS11-12X006QT	228
KL74-9002	76	KL85-4102-RE1	112	KN50-X201-H	223	KS11-12-X008	229
KL74-9002-R	76	KL85-4104-CE1	112	KN50-X201-K	223	KS11-12-X008Q	229
KL74-9006	76	KL85-Y101	231	KN50-X203	223	KS11-12X008QC	228
KL74-9008	76	KL86-8000-RE1	116	KN50-X203-A	223	KS11-12X008QT	228
KL74-9010	76	KL86-8001-RE1	116	KN50-X203-B	223	KS11-12-X010	229
KL74-9012	76	KL86-8002-RE1	116	KN50-X203-C	223	KS11-12-X010Q	229
KL74-9014	76	KL86-8005-CE1	116	KN50-X203-D	223	KS11-12X010QC	228
KL74-9016	76	KL86-8100-RE1	116	KN50-X203-F	223	KS11-12X010QT	228
KL74-9018	76	KL86-8101-RE1	116	KN50-X210	553, 236	KS11-12-X012	229
KL75-9012	131	KL86-8102-RE1	116	KN50-X235-F	223	KS11-12-X012Q	229
KL75-9014	131	KL86-8105-CE1	116	KN50-X235-M	223	KS11-12X012QC	228
KL76-9006-SE4	130	KL86-Y005-CE	231	KN50-X305-A	223	KS11-12X012QT	228
KL76-9008-SE4	130	KL86-Y015	238	KN50-X335-F	223	KS11-12-X014	229
KL76-9010-SE4	130	KL87-8205UAXZ	120	KN50-X335-M	223	KS11-12X014Q	229
KL76-9012-SE4	130	KL87-8205UEXZ	120	KN50-X373	225	KS11-12-X016	229
KL76-9014-SE4	130	KL87-9105-CE1	122	KN50-XBR10	50, 236	KS11-12-X016Q	229
KL76-9016-SE4	130	KL87-9105-HE1	122	KN50-Y026-7	45, 237	KS11-12-X018A	229
KL76-9106-SE4	130	KL87-9205UAXZ	122	KN51-9053-KR1	160	KS11-12X018AQ	229
KL76-9108-SE4	130	KL87-9205UEXZ	122	KN51-9053-KT1	160	KS11-12X012DJ	229
KL76-9110-SE4	130	KL87-X001-UA	231	KN51-9054-KR1	160	KS11-12-X100	229
KL76-9112-SE4	130	KL88-8000-RE1	118	KN51-9054-KT1	160	KS11-12-X100Q	229
KL76-9114-SE4	130	KL88-8001-RE1	118	KN51-9055-KR1	160	KS11-12-X101	229
KL76-9116-SE4	130	KL88-8002-RE1	118	KN51-9055-KT1	160	KS11-12-X101Q	229
KL76-X001	237	KL88-8100-RE1	118	KN51-9153-KR1	160	KS11-12-X102	229
KL77-X003	238	KL88-8101-RE1	118	KN51-9153-KT1	160	KS11-12-X102Q	229
KL77-X009	239	KL88-8102-RE1	118	KN51-9154-KR1	160	KS11-12-X106	229
KL77-X010	239	KL88-Y124	231	KN51-9154-KT1	160	KS11-12-X112	229
KL77-X072	225	KL90-X015	237	KN51-9155-KR1	160	KS11-X018Q	229
KL77-Y001	239	KL90-X015-M	237	KN51-9155-KT1	160	KS15-402241	167
KL77-Y001-P	239	KL90-X017-M	238	KN53-KIT-PS	238	KS20-9309	167
KL77-Y001-UT	239	KL91-0100	237	KN81-0010	49, 226	KT-0577	165, 225
KL77-Y001-UTP	239	KL91-0100-B	237	KN81-0037	227	KT-1000	228
KL77-Y003-XZ	239	KL99-X102	48, 224	KN81-0100	49, 226	KT-2000	165
KL77-Y003-P	239	KL9F-Y104A	52, 235	KN81-02928	227	KT-972	165, 225
KL77-Y017	239	KLP50-0220-45	52, 235	KN84-0001	227	KT-973	165, 225
KL77-Y017-P	239	KLP50-0220-65	52, 235	KN84-8053-KR1	161	KT-979	165, 225
KL77-Y017-UT	239	KLP50-0220-74	52, 235	KN84-8053-KT1	161	KT-980	165, 225
KL77-Y017-UTP	239	KLP50-0220105	52, 235	KN84-8054-KR1	161	KT-990	165, 225
KL79-Y300	244	KLP50-0220-12	52, 235	KN84-8054-KT1	161	KTG-1R00	243
KL79-Y300-2C	244	KLP50-0220152	52, 235	KN84-8055-KR1	161	KTG-2F00	243
KL79-Y310-2C	244	KLP50-0220-25	52, 235	KN84-8055-KT1	161	KVB-6000	165
KL80-9006	247	KLP50-Y002-45	52, 235	KN84-8153-KR1	161	KVB-6045	165
KL83-4000-RE1	108	KLP50-Y002-65	52, 235	KN84-8153-KT1	161	KVB-6075	165
KL83-4001-RE1	108	KLP50-Y002-74	52, 235	KN84-8154-KR1	161	SS05-0100	241
KL83-4002-RE1	108	KLP50-Y002105	52, 235	KN84-8154-KT1	161	SS05-0200	241
KL83-4004-CE1	108	KLP50-Y002-12	52, 235	KN84-8155-KR1	161	SS10-0100	241
KL83-4100-RE1	108	KLP50-Y002152	52, 235	KN84-8155-KT1	161	SS10-0115	241
KL83-4101-RE1	108	KLP50-Y002-25	52, 235	KN84-X023	227	SS10-0117	241
KL83-4102-RE1	108	KN11-X025	238	KPL85-4004CE1	114	SS10-0200	241
KL83-4104-CE1	108	KN11-X803	229	KPL85-4104CE1	114	SS10-0215	241
KL83-Y101	231	KN11-Y208	237	KPV-X001	247	SS10-0217	241
KL83-Y201	231	KN11-Y309	229	KPV-X002	8, 247	SS10-150	241
KL84-1000	238	KN11-Y408	229	KS10-1000	167	SS10-175	241
KL84-604145	246	KN13-X032-D	248	KS11-06-X000	249	SS10-4800	241
KL84-8000-RE1	110	KN34-KIT-PS	240	KS11-06-X001	249	SS10-4801	241
KL84-8001-RE1	110	KN50-0300-PS	53, 236	KS11-06-X002	249	SS10-4802	241
KL84-8002-RE1	110	KN50-X014	238	KS11-06-X006	249	SS10-5806	241
KL84-8005-CE1	110	KN50-X024	238	KS11-06-X008	249	SS10-5808	241
KL84-8100-RE1	110	KN50-X025-Z	53, 236	KS11-06-X010	249	SS10-5811	241
KL84-8101-RE1	110	KN50-X025-SGZ	53, 236	KS11-06-X012	249	SS10-5814	241
KL84-8102-RE1	110	KN50-X025-W	53, 236	KS11-06-X014	249	SS15-Y010-60	241
KL84-8105-CE1	110	KN50-X029-SS	45, 233	KS11-06-X016	249	SS15-Y010-72	241
KL84-X017	246	KN50-X041	238	KS11-06-X100	249	SS20-1000	241
KL84-X018	246	KN50-X048	238	KS11-06-X101	249	SS20-2000	241
KL84-X038	246	KN50-X053	238	KS11-06-X102	249	SS20-2015	241
KL84-X042	246	KN50-X054	238	KS11-06-X112	249	SS20-2017	241
KL84-Y005-CA	231	KN50-X064	236	KS11-12-X000	229	TLL-0010	249
KL84-Y005-CE	231	KN50-X065	53, 236	KS11-12-X000Q	229	TLL10-Y001	249
KL84-Y006	49, 226	KN50-X120	222	KS11-12X000QC	228	TLL11-4100-SE1	192
KL84-Y007	49, 226	KN50-X120-A	222	KS11-12X000QT	228	TLL11-4101-SE1	192
KL84-Y008	49, 226	KN50-X120-F	222	KS11-12-X001	229	TLL11-4102-SE1	192
KL84-Y010	238	KN50-X121	222	KS11-12-X001Q	229	TLL11-4106-SE1	192
KL84-Y015	231	KN50-X121-A	222	KS11-12-X001QC	228	TLL11-4108-SE1	192

MODEL NO.	PAGE NO.	MODEL NO.	PAGE NO.	MODEL NO.	PAGE NO.	MODEL NO.	PAGE NO.
TLL11-4110-SE1	192	TLL50-1100-AF2	187	KL34-3018A-SE2	264	KL51-9108-TE1	261
TLL11-4112-SE1	192	TLL50-1100-AF3	187	KL34-3020-SE2	264	KL51-9110-SE1	261
TLL11-4114-SE1	192	TLL50-1100-AF4	187	KL34-3022-SE2	264	KL51-9112-SE1	261
TLL11-4116-SE1	192	TLL50-1100-AF5	187	KL34-3028-SE2	264	KL51-9114-SE1	261
TLL11-4118-SE1	192	TLL50-1100-AF6	187	KL50-1000	250	KL51-9116-SE1	261
TLL11-4124-SE1	192	TLL50-1100-AF7	187	KL50-1000-AF1	251	KL51-9118-SE1	261
TLL11-8100-SE1	193	TLL50-1100-BR	187	KL50-1000-AF2	251	KL51-91018A-SE1	261
TLL11-8101-SE1	193	TLL50-9100-SE1	191	KL50-1000-AF3	251	KL51-9124-SE1	261
TLL11-8102-SE1	193	TLL50-9101-SE1	191	KL50-1000-AF4	251	KL52-9012-SE1	263
TLL11-8106-SE1	193	TLL50-9102-SE1	191	KL50-1000-AF5	251	KL52-9018-SP1	263
TLL11-8108-SE1	193	TLL50-9106-SE1	191	KL50-1000-AF6	251	KL63-1000	254
TLL11-8110-SE1	193	TLL50-9108-SE1	191	KL50-1000-AF7	251	KL63-1000-BR	254
TLL11-8112-SE1	193	TLL50-9110-SE1	191	KL50-1000-BR	250	KL63-1000-BS	254
TLL11-8114-SE1	193	TLL50-9112-SE1	191	KL50-1000-S	250	KL63-1000-GF	255
TLL11-8116-SE1	193	TLL50-9114-SE1	191	KL50-1000-S	250	KL63-1000-S	254
TLL11-8118-SE1	193	TLL50-Y001-CCVXZ	248	KL50-10L2	250	KL63-10L2	254
TLL11-Y001-CCVXZ	248	TLL57-4100-SE1	194	KL50-10L2-BR	250	KL63-10L2-BR	254
TLL11-Y003-CCVXZ	248	TLL57-4101-SE1	194	KL50-10L2-BS	250	KL63-10L2-BS	254
TLL13-1100-AF1	189	TLL57-4102-SE1	194	KL50-10L2-S	250	KL63-10L2-S	254
TLL13-1100-AF2	189	TLL57-4106-SE1	194	KL50-10L3	250	KL63-10L3	254
TLL13-1100-AF3	189	TLL57-4108-SE1	194	KL50-10L3-BR	250	KL63-10L3-BR	254
TLL13-1100-AF4	189	TLL57-4110-SE1	194	KL50-10L3-BS	250	KL63-10L3-BS	254
TLL13-1100-AF5	189	TLL57-4112-SE1	194	KL50-10L3-S	250	KL63-10L3-S	254
TLL13-1100-AF6	189	TLL57-4114-SE1	194	KL50-1100	250	KL63-1100	254
TLL13-1100-AF7	189	TLL57-4116-SE1	194	KL50-1100-AF1	251	KL63-1100-BR	254
TLL13-1100-BR	189	TLL57-Y001-CCVXZ	248	KL50-1100-AF2	251	KL63-1100-BS	254
TLL13-7006SE1	184-186	TLL61-1100-AF1	188	KL50-1100-AF3	251	KL63-1100-GF	255
TLL13-7008SE1	184-186	TLL61-1100-AF2	188	KL50-1100-AF4	251	KL63-1100-S	254
TLL13-7010SE1	184-186	TLL61-1100-AF3	188	KL50-1100-AF5	251	KL63-11L2	254
TLL13-7012SE1	184-186	TLL61-1100-AF4	188	KL50-1100-AF6	251	KL63-11L2-BR	254
TLL13-7014SE1	184-186	TLL61-1100-AF5	188	KL50-1100-AF7	251	KL63-11L2-BS	254
TLL13-7016SE1	184-186	TLL61-1100-AF6	188	KL50-1100-BR	250	KL63-11L2-S	254
TLL13-8100-SE1	198	TLL61-1100-AF7	188	KL50-1100-BS	250	KL63-11L3	254
TLL13-8101-SE1	198	TLL61-1100-BR	188	KL50-1100-S	250	KL63-11L3-BR	254
TLL13-8102-SE1	198	TLL61-8100-SE1	195	KL50-11L2	250	KL63-11L3-BS	254
TLL13-8106-SE1	198	TLL61-8101-SE1	195	KL50-11L2-BR	250	KL63-11L3-S	254
TLL13-8108-SE1	198	TLL61-8102-SE1	195	KL50-11L2-BS	250	KL63-3828-SE6	264
TLL13-8110-SE1	198	TLL61-8106-SE1	195	KL50-11L2-S	250	KL64-9000-RE1	265
TLL13-8112-SE1	198	TLL61-8108-SE1	195	KL50-11L3	250	KL64-9000-SE1	265
TLL13-8114-SE1	198	TLL61-8110-SE1	195	KL50-11L3-BR	250	KL64-9001-RE1	265
TLL13-8116-SE1	198	TLL61-8112-SE1	195	KL50-11L3-BS	250	KL64-9001-SE1	265
TLL13-8118-SE1	198	TLL61-8114-SE1	195	KL50-11L3-S	250	KL64-9002-RE1	265
TLL13-Y000PRB	248	TLL61-8116-SE1	195	KL50-5026-12	256	KL64-9002-SE1	265
TLL13-Y001-CCVXZ	248	TLL61-8118-SE1	195	KL50-5026-18	256	KL64-9006-SE1	266
TLL13-Y003-16	248	TLL70-Y001-CCVXZ	248	KL50-5032-12	256	KL64-9006-TE1	266
TLL13-Y007-CV	249			KL50-5032-18	256	KL64-9008-SE1	266
TLL15-0010	249			KL50-5526-12	256	KL64-9008-TE1	266
TLL15-4100-SE1	196	EUROPEAN AND		KL50-5526-18	256	KL64-9010-SE1	266
TLL15-4101-SE1	196	INTERNATIONAL SECTION		KL50-5532-12	256	KL64-9010-SE1	266
TLL15-4102-SE1	196	E13-0240	275	KL50-5532-18	256	KL64-9014-SE1	266
TLL15-4106-SE1	196	E13-0242	275	KL50-MINI	253	KL64-9016-SE1	266
TLL15-4108-SE1	196	E13-0244	275	KL50-MINI-BR	253	KL64-9018-SE1	266
TLL15-4110-SE1	196	E13-0245	275	KL50-MINI-BS	253	KL64-9024-SE1	266
TLL15-4112-SE1	196	E13-0246	275	KL50-MINI-S	253	KL64-9100-RE1	265
TLL15-4114-SE1	196	E13-0246/316	275	KL51-3016-SE4	259	KL64-9100-SE1	265
TLL15-4116-SE1	196	E13-0247	275	KL51-3022-SE4	259	KL64-9101-RE1	265
TLL15-Y001-CCVXZ	248	E13-0248	275	KL51-9000-RE1	260	KL64-9101-SE1	265
TLL20-1100-AF1	186	E13-0248/316	275	KL51-9000-SE1	260	KL64-9102-RE1	265
TLL20-1100-AF2	186	E13-0250	275	KL51-9001-RE1	260	KL64-9102-SE1	265
TLL20-1100-AF3	186	E13-0250/316	275	KL51-9001-SE1	260	KL64-9106-SE1	266
TLL20-1100-AF4	186	E13-1190	275	KL51-9002-RE1	260	KL64-9106-TE1	266
TLL20-1100-AF5	186	E13-1240	275	KL51-9002-SE1	260	KL64-9108-SE1	266
TLL20-1100-AF6	186	E13-2130	275	KL51-9006-SE1	261	KL64-9108-TE1	266
TLL20-1100-AF7	186	E13-2150	275	KL51-9006-TE1	261	KL64-9110-SE1	266
TLL20-1100-BR	186	E13-2200	275	KL51-9008-SE1	261	KL64-9112-SE1	266
TLL20-8030SE1	188	E13-2250	275	KL51-9008-TE1	261	KL64-9114-SE1	266
TLL20-8031-0	188	E13-2300	275	KL51-9010-SE1	261	KL64-9116-SE1	266
TLL20-8031-1	188	E13-2350	275	KL51-9012-SE1	261	KL64-9118-SE1	266
TLL20-8031-2	188	E18-1500/2	275	KL51-9014-SE1	261	KL64-9124-SE1	266
TLL20-8032SE1	188	E18-2000	275	KL51-9016-SE1	261	KL65-9010-SE1	267
TLL20-8033SE1	188	K35-X217	275	KL51-9018-SE1	261	KL65-9012-SE1	267
TLL20-8034SE1	188	KC50-1000	257	KL51-90018A-SE1	261	KL65-9018-SP1	267
TLL20-9100-SE1	190	KC50-1000-BR	257	KL51-9024-SE1	261	KN50-1155-BS10	252
TLL20-9101-SE1	190	KL34-1000-BR	258	KL51-9100-RE1	260	KN50-X215	275
TLL20-9102-SE1	190	KL34-1010-BR	258	KL51-9100-SE1	260	KN50-X278	275
TLL20-9106-SE1	190	KL34-1012-BR	258	KL51-9101-RE1	260	KN50-Y105	275
TLL20-9108-SE1	190	KL34-1014-BR	258	KL51-9101-SE1	260	KN50-Y105-18	275
TLL20-9110-SE1	190	KL34-1018-BR	258	KL51-9102-RE1	260	KN50-Y106	275
TLL20-9112-SE1	190	KL34-1022-BR	258	KL51-9102-SE1	260	KN50-Y106-18	275
TLL20-X001-XZ	246	KL34-3010-SE2	264	KL51-9106-SE1	261	KN51-9053-KR1	260
TLL20-Y003-CCVXZ	248	KL34-3012-SE2	264	KL51-9106-TE1	261	KN51-9053-KT1	262
TLL50-1100-AF1	187	KL34-3018-SE2	264	KL51-9108-SE1	261	KN51-9054-KR1	262

MODEL NO.	PAGE NO.	MODEL NO.	PAGE NO.	MODEL NO.	PAGE NO.	MODEL NO.	PAGE NO.
KL41-Y007CVKT	293, 294	KS11-12-X101	295	KL50-Y026	298	KL50-Y010-96Z	300
KL41-Y007-KT	293, 294	KS11-12-X102	295	KL50-Y027	298	KL50-Y027	300
KL45-Y002-XZ	293, 294			KL50-Y030-Z	298	KL50-Y050-12	300
KL50-X122	293	KN50-1000	297	KN50-X025-Z	298	KL50-Y050-18	300
KL50-X132	293, 294	KL50-1000	297	KN50-X065-B	298	KL50-Y051	300
KN50-X120	293, 294	K50-0001	296	KN50-X135	298	KN50-X025-Z	300
KN50-X120-A	293, 294	K50-0001-6	296	KN50-X135-065	298	KN50-X135	300
KN50-X120-F	293, 294	K50-0110	296	KN50-X135-12	298	KN50-X135-065	300
KN50-X120-M	293, 294	K50-X033	296			KN50-X135-12	300
KN50-X120S-06	293, 294	K50-X178	296	KN50-3000	299		
KN50-X121	293, 294	K50-Y011	296	KL50-3000	299	KN51-9000	301, 302
KN50-X121-A	293, 294	K50-Y020-Z	296	K50-0001	299	KL51-9000	301, 302
KN50-X121-F	293, 294	KL50-0200-16	296	K50-0001-6	299	K50-0001	301, 302
KN50-X201	293, 294	KL50-X029	296	K50-0110	299	K50-0001-6	301, 302
KN50-X201-A	293, 294	KL50-X032	296	K50-Y012-Z	299	K50-0110	301, 302
KN50-X201-F	293, 294	KL50-X077	296	KL50-X075	299	KL11-Y406	301, 302
KN50-X203	293, 294	KL50-Y001-XZ	296	KL50-X128	299	KL11-Y408	301, 302
KN50-X203-A	293, 294	KL50-Y002-065	296	KL50-X137	299	KL50-X075	301, 302
KN50-X203-F	293, 294	KL50-Y00212XZ	296	KL50-Y001-XZ	299	KL50-X132	301, 302
KN50-X235-F	293, 294	KL50-Y00216XZ	296	KL50-Y004-20	299	KL50-Y001-XZ	301, 302
KN50-X305-A	293, 294	KL50-Y004-20	296	KL50-Y004-26	299	KL50-Y007	301, 302
KN50-X335-F	293, 294	KL50-Y004-26	296	KL50-Y004-36	299	KL50-Y007-CCV	301, 302
KS11-12-X000	293	KL50-Y004-36	296	KL50-Y004-44	299	KL50-Y007-KT	301, 302
KS11-12-X001	293	KL50-Y004-44	296	KL50-Y004-60	299	KL50-Y007CVKT	301, 302
KS11-12-X002	293	KL50-Y004-60	296	KL50-Y004-72	299	KL50-Y006	301, 302
KS11-12-X006	294	KL50-Y004-72	296	KL50-Y004-96	299	KL50-Y006-CCV	301, 302
KS11-12-X008	294	KL50-Y004-96	296	KL50-Y006	299	KL50-Y006-KT	301, 302
KS11-12-X010	294	KL50-Y006	296	KL50-Y006-CCV	299	KL50-Y006CVKT	301, 302
KS11-12-X012	294	KL50-Y006-CCV	296	KL50-Y006CVKT	299	KN50-X120	301, 302
KS11-12-X014	294	KL50-Y006CVKT	296	KL50-Y006-KT	299	KN50-X120-A	301, 302
KS11-12-X016	294	KL50-Y006-KT	296	KL50-Y007	299	KN50-X120-F	301, 302
KS11-12-X018A	294	KL50-Y007	296	KL50-Y007-CCV	299	KN50-X120-M	301, 302
KS11-12-X100	293	KL50-Y007-CCV	296	KL50-Y007CVKT	299	KN50-X120S-06	301, 302
KS11-12-X101	293	KL50-Y007CVKT	296	KL50-Y007-KT	299	KN50-X121	301, 302
KS11-12-X102	293	KL50-Y007-KT	296	KL50-Y010-20Z	299	KN50-X121-A	301, 302
		KL50-Y010-20Z	296	KL50-Y010-26Z	299	KN50-X121-F	301, 302
KN45-8000	295, 296	KL50-Y010-26Z	296	KL50-Y010-36	299	KN50-X201	301, 302
KL45-8000	295, 296	KL50-Y010-36	296	KL50-Y010-44Z	299	KN50-X201-A	301, 302
K50-0001	295, 296	KL50-Y010-44Z	296	KL50-Y010-60Z	299	KN50-X201-F	301, 302
K50-0001-6	295, 296	KL50-Y010-60Z	296	KL50-Y010-72Z	299	KN50-X203	301, 302
K50-0110	295, 296	KL50-Y010-72Z	296	KL50-Y010-96Z	299	KN50-X203-A	301, 302
KL40-1000	295, 296	KL50-Y010-96Z	296	KL50-Y026	299	KN50-X203-F	301, 302
KL40-2020	295, 296	KL50-Y027	296	KL50-Y027	299	KN50-X235-F	301, 302
KL41-Y006	295, 296	KN50-X025-Z	296	KL50-Y031-Z	299	KN50-X305-A	301, 302
KL41-Y006-CCV	295, 296	KN50-X135	296	KN50-X025-Z	299	KN50-X335-F	301, 302
KL41-Y006CVKT	295, 296	KN50-X135-065	296			KS11-12-X000	301
KL41-Y006-KT	295, 296	KN50-X135-12	296	KN50-5000	300	KS11-12-X001	301
KL41-Y007	295, 296			KL50-5000	300	KS11-12-X002	301
KL41-Y007-CCV	295, 296	KN50-2000	298	K50-0001	300	KS11-12-X006	302
KL41-Y007CVKT	295, 296	KL50-2000	298	K50-0001-6	300	KS11-12-X008	302
KL41-Y007-KT	295, 296	K50-0001	298	K50-0110	300	KS11-12-X010	302
KL45-Y003	295, 296	K50-0001-6	298	K50-Y011	300	KS11-12-X012	302
KL50-X122	295	K50-0110	298	K50-Y020-Z	300	KS11-12-X014	302
KL50-X132	295, 296	K50-Y012-Z	298	K50-Y500-Z	300	KS11-12-X016	302
KN50-X120	295, 296	KL50-0200	298	KL50-0200-16	300	KS11-12-X108A	302
KN50-X120-A	295, 296	KL50-0200-16	298	KL50-X153-26	300	KS11-12-X100	301
KN50-X120-F	295, 296	KL50-X075	298	KL50-X153-32	300	KS11-12-X101	301
KN50-X120-M	295, 296	KL50-X128	298	KL50-Y001-XZ	300	KS11-12-X102	301
KN50-X120S-06	295, 296	KL50-X137	298	KL50-Y002-065	300		
KN50-X121	295, 296	KL50-Y001-XZ	298	KL50-Y00212XZ	300	KN52-9000	303
KN50-X121-A	295, 296	KL50-Y004-20	298	KL50-Y00216XZ	300	KL52-9000	303
KN50-X121-F	295, 296	KL50-Y004-26	298	KL50-Y004-20	300	K50-0001	303
KN50-X201	295, 296	KL50-Y004-36	298	KL50-Y004-26	300	K50-0001-6	303
KN50-X201-A	295, 296	KL50-Y004-44	298	KL50-Y004-36	300	K50-0110	303
KN50-X201-F	295, 296	KL50-Y004-60	298	KL50-Y004-44	300	KL50-X076	303
KN50-X203	295, 296	KL50-Y004-72	298	KL50-Y004-60	300	KL50-X077	303
KN50-X203-A	295, 296	KL50-Y004-96	298	KL50-Y004-72	300	KL50-X132	303
KN50-X203-F	295, 296	KL50-Y006	298	KL50-Y004-96	300	KL50-Y001-XZ	303
KN50-X235-F	295, 296	KL50-Y006-CCV	298	KL50-Y006	300	KL50-Y006	303
KN50-X305-A	295, 296	KL50-Y006CVKT	298	KL50-Y006-CCV	300	KL50-Y006-CCV	303
KN50-X335-F	295, 296	KL50-Y006-KT	298	KL50-Y006CVKT	300	KL50-Y006CVKT	303
KS11-12-X000	295	KL50-Y007	298	KL50-Y006-KT	300	KL50-Y006-KT	303
KS11-12-X001	295	KL50-Y007-CCV	298	KL50-Y007	300	KL50-Y007	303
KS11-12-X002	293	KL50-Y007CVKT	298	KL50-Y007-CCV	300	KL50-Y007-CCV	303
KS11-12-X006	296	KL50-Y007-KT	298	KL50-Y007CVKT	300	KL50-Y007CVKT	303
KS11-12-X008	296	KL50-Y010-20Z	298	KL50-Y007-KT	300	KL50-Y007-KT	303
KS11-12-X010	296	KL50-Y010-26Z	298	KL50-Y010-20Z	300	KN50-X120	303
KS11-12-X012	296	KL50-Y010-36	298	KL50-Y010-26Z	300	KN50-X120-A	303
KS11-12-X014	296	KL50-Y010-44Z	298	KL50-Y010-36	300	KN50-X120-F	303
KS11-12-X016	296	KL50-Y010-60Z	298	KL50-Y010-44Z	300	KN50-X120-M	303
KS11-12-X018A	296	KL50-Y010-72Z	298	KL50-Y010-60Z	300	KN50-X120S-06	303
KS11-12-X100	295	KL50-Y010-96Z	298	KL50-Y010-72Z	300	KN50-X121	303

INDEX

MODEL NO.	PAGE NO.	MODEL NO.	PAGE NO.	MODEL NO.	PAGE NO.	MODEL NO.	PAGE NO.
KN50-X121-A	303	KL50-Y004-96	305	KL50-Y004-96	307	KL11-X012	310
KN50-X121-F	303	KL50-Y006	305	KL50-Y006	307	KL11-X014	310
KN50-X201	303	KL50-Y006-CCV	305	KL50-Y006-CCV	307	KL11-X016	310
KN50-X201-A	303	KL50-Y006CVKT	305	KL50-Y006CVKT	307	KL11-X018	310
KN50-X201-F	303	KL50-Y006-KT	305	KL50-Y006-KT	307	KL11-X024	310
KN50-X203	303	KL50-Y007	305	KL50-Y007	307	KL50-X132	310
KN50-X203-A	303	KL50-Y007-CCV	305	KL50-Y007-CCV	307	KL55-Y001-Z	310
KN50-X203-F	303	KL50-Y007CVKT	305	KL50-Y007CVKT	307	KL55-Y010	310
KN50-X235-F	303	KL50-Y007-KT	305	KL50-Y007-KT	307	KN50-X120	310
KN50-X305-A	303	KL50-Y010-20Z	305	KL50-Y010-20Z	307	KN50-X120-A	310
KN50-X335-F	303	KL50-Y010-26Z	305	KL50-Y010-26Z	307	KN50-X120-F	310
KS11-12-X006	303	KL50-Y010-36	305	KL50-Y010-36	307	KN50-X120-M	310
KS11-12-X008	303	KL50-Y010-44Z	305	KL50-Y010-44Z	307	KN50-X120S-06	310
KS11-12-X010	303	KL50-Y010-60Z	305	KL50-Y010-60Z	307	KN50-X121	310
KS11-12-X012	303	KL50-Y010-72Z	305	KL50-Y010-72Z	307	KN50-X121-A	310
KS11-12-X014	303	KL50-Y010-96Z	305	KL50-Y010-96Z	307	KN50-X121-F	310
KS11-12-X016	303	KN50-X025-Z	305	KL50-Y050-12	307	KN50-X201	310
KS11-12-X018A	303	KL50-Y027	305	KL50-Y050-18	307	KN50-X201-A	310
		KL50-Y026	305	KL50-Y027	307	KN50-X201-F	310
KN53-1000	304	KL50-Y030-Z	305	KL50-Y051	307	KN50-X203	310
KL53-1000	304	KL54-Y001-XZ	305	KL53-Y001-XZ	307	KN50-X203-A	310
K50-0001	304	KN50-X065-B	305	KN50-X135	307	KN50-X203-F	310
K50-0001-6	304	KN50-X135	305	KN50-X135-065	307	KN50-X235-F	310
K50-0110	304	KN50-X135-065	305	KN50-X135-12	307	KN50-X305-A	310
K50-X033	304	KN50-X135-12	305			KN50-X335-F	310
K50-X178	304						
K50-Y011	304	KN53-3000	306	KN54-8000	308, 309	KN56-1000	311
K50-Y020-Z	304	KL53-3000	306	KL54-8000	308, 309	KL56-1000	311
KL40-1000	304	K50-0001	306	K50-0001	308, 309	K50-0001	311
KL40-2020	304	K50-0001-6	306	K50-0001-6	308, 309	K50-0001-6	311
KL50-0200-16	304	K50-0110	306	K50-0110	308, 309	K50-0110	311
KL50-X029	304	K50-Y012-Z	306	KL40-1000	308, 309	K50-X033	311
KL50-X032	304	KL50-X137	306	KL40-2020	308, 309	K50-X178	311
KL50-X077	304	KL50-X128	306	KL50-X132	308, 309	K50-Y011	311
KL50-Y002-065	304	KL50-Y004-20	306	KL50-Y006	308, 309	K50-Y020-Z	311
KL50-Y00212XZ	304	KL50-Y004-26	306	KL50-Y006-CCV	308, 309	KL50-0200-16	311
KL50-Y00216XZ	304	KL50-Y004-36	306	KL50-Y006CVKT	308, 309	KL50-X029	311
KL50-Y004-20	304	KL50-Y004-44	306	KL50-Y006-KT	308, 309	KL50-X032	311
KL50-Y004-26	304	KL50-Y004-60	306	KL50-Y007	308, 309	KL50-X077	311
KL50-Y004-36	304	KL50-Y004-72	306	KL50-Y007-CCV	308, 309	KL50-Y002-065	311
KL50-Y004-44	304	KL50-Y004-96	306	KL50-Y007CVKT	308, 309	KL50-Y00212XZ	311
KL50-Y004-60	304	KL50-Y006	306	KL50-Y007-KT	308, 309	KL50-Y00216XZ	311
KL50-Y004-72	304	KL50-Y006-CCV	306	KL54-Y001-XZ	308, 309	KL50-Y004-20	311
KL50-Y004-96	304	KL50-Y006CVKT	306	KN50-X120	308, 309	KL50-Y004-26	311
KL50-Y006	304	KL50-Y006-KT	306	KN50-X120-A	308, 309	KL50-Y004-36	311
KL50-Y006-CCV	304	KL54-Y001-XZ	306	KN50-X120-M	308, 309	KL50-Y004-44	311
KL50-Y006CVKT	304	KL50-Y007	306	KN50-X120S-06	308, 309	KL50-Y004-60	311
KL50-Y006-KT	304	KL50-Y007-CCV	306	KN50-X121	308, 309	KL50-Y004-72	311
KL50-Y007	304	KL50-Y007CVKT	306	KN50-X121-A	308, 309	KL50-Y004-96	311
KL50-Y007-CCV	304	KL50-Y007-KT	306	KN50-X121-F	308, 309	KL50-Y006	311
KL50-Y007CVKT	304	KL50-Y010-20Z	306	KN50-X201	308, 309	KL50-Y006-CCV	311
KL50-Y007-KT	304	KL50-Y010-26Z	306	KN50-X201-A	308, 309	KL50-Y006CVKT	311
KL50-Y010-20Z	304	KL50-Y010-36	306	KN50-X201-F	308, 309	KL50-Y006-KT	311
KL50-Y010-26Z	304	KL50-Y010-44Z	306	KN50-X201-F	308, 309	KL50-Y007	311
KL50-Y010-36	304	KL50-Y010-60Z	306	KN50-X203-A	308, 309	KL50-Y007-CCV	311
KL50-Y010-44Z	304	KL50-Y010-72Z	306	KN50-X203-F	308, 309	KL50-Y007CVKT	311
KL50-Y010-60Z	304	KL50-Y010-96Z	306	KN50-X235-F	308, 309	KL50-Y007-KT	311
KL50-Y010-72Z	304	KL50-Y026	306	KN50-X305-A	308, 309	KL50-Y010-20Z	311
KL50-Y010-96Z	304	KL50-Y027	306	KN50-X335-F	308, 309	KL50-Y010-26Z	311
KL50-Y027	304	KL50-Y031-Z	306	KS11-12-X000	308	KL50-Y010-36	311
KL53-Y001-XZ	304	KN50-X025-Z	306	KS11-12-X001	308	KL50-Y010-44Z	311
KN50-X025-Z	304			KS11-12-X002	308	KL50-Y010-60Z	311
KN50-X135	304	KN53-5000	307	KS11-12-X006	309	KL50-Y010-72Z	311
KN50-X135-065	304	KL53-5000	307	KS11-12-X008	309	KL50-Y010-96Z	311
KN50-X135-12	304	K50-0001	307	KS11-12-X010	309	KL50-Y027	311
		K50-0001-6	307	KS11-12-X012	309	KL56-Y003	311
KN53-2000	305	K50-0110	307	KS11-12-X014	309	KL60-Y013	311
KL53-2000	305	K50-Y011	307	KS11-12-X016	309	KN50-X025-Z	311
K50-0001	305	K50-Y020-Z	307	KS11-12-X018A	309	KN50-X135	311
K50-0001-6	305	K50-Y500-Z	307	KS11-12-X100	308	KN50-X135-065	311
K50-0110	305	KL50-0200-16	307	KS11-12-X101	308	KN50-X135-12	311
K50-Y012-Z	305	KL50-X153-26	307	KS11-12-X102	308		
KL50-0200-16	305	KL50-X153-32	307			KN56-2000	312
KL50-0200	305	KL50-Y002-065	307			KL56-2000	312
KL50-X128	305	KL50-Y00212XZ	307	KN55-7000	310	K50-0001	312
KL50-X137	305	KL50-Y00216XZ	307	KL55-7000	310	K50-0001-6	312
KL50-Y004-20	305	KL50-Y004-20	307	K50-0001	310	K50-0110	312
KL50-Y004-26	305	KL50-Y004-26	307	K50-0001-6	310	K50-Y012-Z	312
KL50-Y004-36	305	KL50-Y004-36	307	K50-0110	310	KL50-0200	312
KL50-Y004-44	305	KL50-Y004-44	307	KL11-X006	310	KL50-0200-16	312
KL50-Y004-60	305	KL50-Y004-60	307	KL11-X008	310	KL50-X075	312
KL50-Y004-72	305	KL50-Y004-72	307	KL11-X010	310	KL50-X128	312

MODEL NO.	PAGE NO.	MODEL NO.	PAGE NO.	MODEL NO.	PAGE NO.	MODEL NO.	PAGE NO.
KL50-X137	312	KL50-Y002-065	314	KN58-4000	317	KL50-Y010-96Z	318
KL50-Y004-20	312	KL50-Y00212XZ	314	KL58-4000	317	KL50-Y027	318
KL50-Y004-26	312	KL50-Y00216XZ	314	K50-0001	317	KL60-Y001	318
KL50-Y004-36	312	KL50-Y004-20	314	K50-0001-6	317	KL60-Y013	318
KL50-Y004-44	312	KL50-Y004-26	314	K50-0110	317	KN50-X025-Z	318
KL50-Y004-60	312	KL50-Y004-36	314	KL50-X077	317	KN50-X135	318
KL50-Y004-72	312	KL50-Y004-44	314	KL50-X076	317	KN50-X135-065	318
KL50-Y004-96	312	KL50-Y004-60	314	KL50-X132	317	KN50-X135-12	318
KL50-Y006	312	KL50-Y004-72	314	KL50-Y006	317		
KL50-Y006-CCV	312	KL50-Y004-96	314	KL50-Y006-CCV	317	KN60-2000	319
KL50-Y006CVKT	312	KL50-Y006	314	KL50-Y006CVKT	317	KL60-2000	319
KL50-Y006-KT	312	KL50-Y006-CCV	314	KL50-Y006-KT	317	K50-0001	319
KL50-Y007	312	KL50-Y006CVKT	314	KL50-Y007	317	K50-0001-6	319
KL50-Y007-CCV	312	KL50-Y006-KT	314	KL50-Y007-CCV	317	K50-0110	319
KL50-Y007CVKT	312	KL50-Y007	314	KL50-Y007CVKT	317	K50-Y012-Z	319
KL50-Y007-KT	312	KL50-Y007-CCV	314	KL50-Y007-KT	317	KL50-0200	319
KL50-Y010-20Z	312	KL50-Y007CVKT	314	KL56-Y003	317	KL50-0200-16	319
KL50-Y010-26Z	312	KL50-Y007-KT	314	KL60-Y013	317	KL50-X075	319
KL50-Y010-36	312	KL50-Y010-20Z	314	KN50-X120	317	KL50-X128	319
KL50-Y010-44Z	312	KL50-Y010-26Z	314	KN50-X120-A	317	KL50-X137	319
KL50-Y010-60Z	312	KL50-Y010-36	314	KN50-X120-F	317	KL50-Y004-20	319
KL50-Y010-72Z	312	KL50-Y010-44Z	314	KN50-X120-M	317	KL50-Y004-26	319
KL50-Y010-96Z	312	KL50-Y010-60Z	314	KN50-X120S-06	317	KL50-Y004-36	319
KL50-Y026	312	KL50-Y010-72Z	314	KN50-X121	317	KL50-Y004-44	319
KL50-Y027	312	KL50-Y010-96Z	314	KN50-X121-A	317	KL50-Y004-60	319
KL50-Y030-Z	312	KL50-Y027	314	KN50-X121-F	317	KL50-Y004-72	319
KL56-Y003	312	KL50-Y050-12	314	KN50-X201	317	KL50-Y004-96	319
KN50-X025-Z	312	KL50-Y050-18	314	KN50-X201-A	317	KL50-Y006	319
KN50-X065-B	312	KL50-Y051	314	KN50-X201-F	317	KL50-Y006-CCV	319
KN50-X135	312	KL56-Y003	314	KN50-X203	317	KL50-Y006CVKT	319
KN50-X135-065	312	KL60-Y013	314	KN50-X203-A	317	KL50-Y006-KT	319
KN50-X135-12	312	KN50-X025-Z	314	KN50-X203-F	317	KL50-Y007	319
		KN50-X135	314	KN50-X235-F	317	KL50-Y007-CCV	319
KN56-3000	313	KN50-X135-065	314	KN50-X305-A	317	KL50-Y007CVKT	319
KL56-3000	313	KN50-X135-12	314	KN50-X335-F	317	KL50-Y007-KT	319
K50-0001	313			KS11-12-X006	317	KL50-Y010-20Z	319
K50-0001-6	313	KN57-4000	315, 316	KS11-12-X008	317	KL50-Y010-26Z	319
K50-0110	313	KL57-4000	315, 316	KS11-12-X010	317	KL50-Y010-36	319
K50-Y012-Z	313	K50-0001	315, 316	KS11-12-X012	317	KL50-Y010-44Z	319
KL50-X075	313	K50-0001-6	315, 316	KS11-12-X014	317	KL50-Y010-60Z	319
KL50-X128	313	K50-0110	315, 316	KS11-12-X016	317	KL50-Y010-72Z	319
KL50-X137	313	KL50-X132	315, 316	KS11-12-X018A	317	KL50-Y010-96Z	319
KL50-Y004-20	313	KL50-Y006	315, 316	KS11-12-X112	317	KL50-Y026	319
KL50-Y004-26	313	KL50-Y006-CCV	315, 316			KL50-Y027	319
KL50-Y004-36	313	KL50-Y006CVKT	315, 316	KN60-1000	318	KL50-Y030-Z	319
KL50-Y004-44	313	KL50-Y006-KT	315, 316	KL60-1000	318	KL60-Y013	319
KL50-Y004-60	313	KL50-Y007	315, 316	K50-0001	318	KL61-Y001	319
KL50-Y004-72	313	KL50-Y007-CCV	315, 316	K50-0001-6	318	KN50-X025-Z	319
KL50-Y004-96	313	KL50-Y007CVKT	315, 316	K50-0110	318	KN50-X065-B	319
KL50-Y006	313	KL50-Y007-KT	315, 316	K50-X033	318	KN50-X135	319
KL50-Y006-CCV	313	KL55-X122	315	K50-X178	318	KN50-X135-065	319
KL50-Y006CVKT	313	KL57-Y003	315, 316	K50-Y011	318	KN50-X135-12	319
KL50-Y006-KT	313	KL60-Y013	316	K50-Y020-Z	318		
KL50-Y007	313	KN50-X120	315, 316	K50-Y020-6	318	KN60-3000	320
KL50-Y007-CCV	313	KN50-X120-A	315, 316	KL50-0200-16	318	KL60-3000	320
KL50-Y007CVKT	313	KN50-X120-F	315, 316	KL50-X029	318	K50-0001	320
KL50-Y007-KT	313	KN50-X120-M	315, 316	KL50-X032	318	K50-0001-6	320
KL50-Y010-20Z	313	KN50-X120S-06	315, 316	KL50-X077	318	K50-0110	320
KL50-Y010-26Z	313	KN50-X121	315, 316	KL50-Y002-065	318	K50-Y012-Z	320
KL50-Y010-36	313	KN50-X121-A	315, 316	KL50-Y00212XZ	318	KL50-X075	320
KL50-Y010-44Z	313	KN50-X121-F	315, 316	KL50-Y00216XZ	318	KL50-X128	320
KL50-Y010-60Z	313	KN50-X201	315, 316	KL50-Y004-20	318	KL50-X137	320
KL50-Y010-72Z	313	KN50-X201-A	315, 316	KL50-Y004-26	318	KL50-Y004-20	320
KL50-Y010-96Z	313	KN50-X201-F	315, 316	KL50-Y004-36	318	KL50-Y004-26	320
KL50-Y026	313	KN50-X203	315, 316	KL50-Y004-44	318	KL50-Y004-36	320
KL50-Y027	313	KN50-X203-A	315, 316	KL50-Y004-60	318	KL50-Y004-44	320
KL50-Y031-Z	313	KN50-X203-F	315, 316	KL50-Y004-72	318	KL50-Y004-60	320
KL56-Y003	313	KN50-X235-F	315, 316	KL50-Y004-96	318	KL50-Y004-72	320
KL60-Y013	313	KN50-X335-F	315, 316	KL50-Y006	318	KL50-Y004-96	320
KN50-X025-Z	313	KS11-12-X000	315	KL50-Y006-CCV	318	KL50-Y006	320
		KS11-12-X001	315	KL50-Y006CVKT	318	KL50-Y006-CCV	320
KN56-5000	314	KS11-12-X002	315	KL50-Y006-KT	318	KL50-Y006CVKT	320
KL56-5000	314	KS11-12-X006	316	KL50-Y007	318	KL50-Y006-KT	320
K50-0001	314	KS11-12-X008	316	KL50-Y007-CCV	318	KL50-Y007	320
K50-0001-6	314	KS11-12-X010	316	KL50-Y007CVKT	318	KL50-Y007-CCV	320
K50-0110	314	KS11-12-X012	316	KL50-Y007-KT	318	KL50-Y007CVKT	320
K50-Y011	314	KS11-12-X014	316	KL50-Y010-20Z	318	KL50-Y007-KT	320
K50-Y020-Z	314	KS11-12-X016	316	KL50-Y010-26Z	318	KL50-Y010-20Z	320
K50-Y500-Z	314	KS11-12-X018A	316	KL50-Y010-36	318	KL50-Y010-26Z	320
KL50-0200-16	314	KS11-12-X100	315	KL50-Y010-44Z	318	KL50-Y010-36	320
KL50-X153-26	314	KS11-12-X101	315	KL50-Y010-60Z	318	KL50-Y010-44Z	320
KL50-X153-32	314	KS11-12-X102	315	KL50-Y010-72Z	318	KL50-Y010-60Z	320

MODEL NO.	PAGE NO.	MODEL NO.	PAGE NO.	MODEL NO.	PAGE NO.	MODEL NO.	PAGE NO.
KL50-Y010-72Z	320	KN50-X201	322, 323	KL50-Y002-GF	325	KL50-Y004-60	327
KL50-Y010-96Z	320	KN50-X201-A	322, 323	KL50-Y004-20	325	KL50-Y004-72	327
KL50-Y026	320	KN50-X201-F	322, 323	KL50-Y004-26	325	KL50-Y004-96	327
KL50-Y027	320	KN50-X203	322, 323	KL50-Y004-36	325	KL50-Y007	327
KL50-Y031-Z	320	KN50-X203-A	322, 323	KL50-Y004-44	325	KL50-Y007-CCV	327
KL60-Y013	320	KN50-X203-F	322, 323	KL50-Y004-60	325	KL50-Y007CVKT	327
KL61-Y001	320	KN50-X235-F	322, 323	KL50-Y004-72	325	KL50-Y007-KT	327
KN50-X025-Z	320	KN50-X335-F	322, 323	KL50-Y004-96	325	KL50-Y010-20Z	327
KN60-5000	321	KS11-12-X000	322, 323	KL50-Y007	325	KL50-Y010-26Z	327
KL60-5000	321	KS11-12-X001	322, 323	KL50-Y007-CCV	325	KL50-Y010-36	327
K50-0110	321	KS11-12-X002	322, 323	KL50-Y007CVKT	325	KL50-Y010-44Z	327
K50-0001	321	KS11-12-X006	322, 323	KL50-Y007-KT	325	KL50-Y010-60Z	327
K50-0001-6	321	KS11-12-X008	322, 323	KL50-Y010-20Z	325	KL50-Y010-72Z	327
K50-Y011	321	KS11-12-X010	322, 323	KL50-Y010-26Z	325	KL50-Y010-96Z	327
K50-Y020-Z	321	KS11-12-X012	322, 323	KL50-Y010-36	325	KL64-Y001	327
K50-Y500-Z	321	KS11-12-X014	322, 323	KL50-Y010-44Z	325	KN50-X025-Z	327
KL50-0200-16	321	KS11-12-X016	322, 323	KL50-Y010-60Z	325	KN64-9000	328, 329
KL50-X153-26	321	KS11-12-X018A	322, 323	KL50-Y010-72Z	325	KL64-9000	328, 329
KL50-X153-32	321	KS11-12-X100	322, 323	KL50-Y010-96Z	325	K50-0110	328, 329
KL50-Y002-065	321	KS11-12-X101	322, 323	KL63-Y001-XZ	325	K50-0001	328, 329
KL50-Y00212XZ	321	KS11-12-X102	322, 323	KL63-Y005	325	K50-0001-6	328, 329
KL50-Y00216XZ	321	KS11-12-X112	322, 323	KN50-X025-Z	325	KL50-X075	328, 329
KL50-Y004-20	321	KN62-8000	324	KN50-X135	325	KL50-X132	328, 329
KL50-Y004-26	321	KL62-8000	324	KN50-X135-065	325	KL50-Y007	328, 329
KL50-Y004-36	321	K50-0001	324	KN50-X135-12	325	KL50-Y007-CCV	328, 329
KL50-Y004-44	321	K50-0001-6	324	KN63-2000	326	KL50-Y007-KT	328, 329
KL50-Y004-60	321	K50-0110	324	KL63-2000	326	KL50-Y007CVKT	328, 329
KL50-Y004-72	321	KL50-X076	324	K50-0001	326	KL64-Y001	328, 329
KL50-Y004-96	321	KL50-X077	324	K50-0001-6	326	KL63-Y005	328, 329
KL50-Y006	321	KL50-X132	324	K50-0110	326	KN11-Y406	328, 329
KL50-Y006-CCV	321	KL50-Y006	324	K50-Y012-Z	326	KN11-Y408	328, 329
KL50-Y006CVKT	321	KL50-Y006-CCV	324	KL50-0200	326	KN50-X120	328, 329
KL50-Y006-KT	321	KL50-Y006CVKT	324	KL50-0200-16	326	KN50-X120-A	328, 329
KL50-Y007	321	KL50-Y007	324	KL50-X075	326	KN50-X120-F	328, 329
KL50-Y007-CCV	321	KL50-Y007-CCV	324	KL50-X128	326	KN50-X120-M	328, 329
KL50-Y007CVKT	321	KL50-Y007CVKT	324	KL50-X137	326	KN50-X120S-06	328, 329
KL50-Y010-20Z	321	KL50-Y007-KT	324	KL50-Y004-20	326	KN50-X121	328, 329
KL50-Y010-26Z	321	KL60-Y001	324	KL50-Y004-26	326	KN50-X121-A	328, 329
KL50-Y010-36	321	KL60-Y013	324	KL50-Y004-36	326	KN50-X121-F	328, 329
KL50-Y010-44Z	321	KN50-X120	324	KL50-Y004-44	326	KN50-X201	328, 329
KL50-Y010-60Z	321	KN50-X120-A	324	KL50-Y004-60	326	KN50-X201-A	328, 329
KL50-Y010-72Z	321	KN50-X120-F	324	KL50-Y004-72	326	KN50-X201-F	328, 329
KL50-Y010-96Z	321	KN50-X120-M	324	KL50-Y004-96	326	KN50-X203	328, 329
KL50-Y027	321	KN50-X120S-06	324	KL50-Y007	326	KN50-X203-A	328, 329
KL50-Y050-12	321	KN50-X121	324	KL50-Y007-CCV	326	KN50-X235-F	328, 329
KL50-Y050-18	321	KN50-X121-A	324	KL50-Y007CVKT	326	KN50-X305-A	328, 329
KL60-Y001	321	KN50-X121-F	324	KL50-Y007-KT	326	KN50-X335-F	328, 329
KL60-Y013	321	KN50-X201	324	KL50-Y010-20Z	326	KS11-12-X000	328
KN50-X025-Z	321	KN50-X201-A	324	KL50-Y010-26Z	326	KS11-12-X001	328
KN50-X135	321	KN50-X201-F	324	KL50-Y010-36	326	KS11-12-X002	328
KN50-X135-065	321	KN50-X203	324	KL50-Y010-44Z	326	KS11-12-X006	329
KN50-X135-12	321	KN50-X203-A	324	KL50-Y010-60Z	326	KS11-12-X008	329
KN61-8000	322, 323	KN50-X203-F	324	KL50-Y010-72Z	326	KS11-12-X010	329
KL61-8000	322, 323	KN50-X235-F	324	KL50-Y010-96Z	326	KS11-12-X012	329
K50-0001	322, 323	KN50-X305-A	324	KL50-Y026	326	KS11-12-X014	329
K50-0001-6	322, 323	KN50-X335-F	324	KL50-Y027	326	KS11-12-X016	329
K50-0110	322, 323	KS11-12-X006	324	KL50-Y030-Z	326	KS11-12-X018A	329
KL50-X075	321	KS11-12-X008	324	KL64-Y001	326	KS11-12-X100	328
KL50-X122	322	KS11-12-X010	324	KN50-X025-Z	326	KS11-12-X101	328
KL50-X132	322, 323	KS11-12-X012	324	KN50-X065-B	326	KS11-12-X102	328
KL50-Y006	322, 323	KS11-12-X014	324	KN50-X135	326	KS11-12-X112	329
KL50-Y006-CCV	322, 323	KS11-12-X016	324	KN50-X135-065	326	KN65-9000	330
KL50-Y006CVKT	322, 323	KS11-12-X018A	324	KN50-X135-12	326	KL65-9000	330
KL50-Y006-KT	322, 323	KN63-1000	325	KN63-3000	327	K50-0001	330
KL50-Y007	322, 323	KL63-1000	325	KL63-3000	327	K50-0001-6	330
KL50-Y007-CCV	322, 323	K50-0001	325	K50-0001	327	K50-0110	330
KL50-Y007CVKT	322, 323	K50-0001-6	325	K50-0001-6	327	K50-X033	330
KL50-Y007-KT	322, 323	K50-0001-6	325	K50-0110	327	K50-X178	330
KL50-Y051	322, 323	K50-0110	325	K50-Y012-Z	327	K50-Y020-Z	330
KL60-Y013	322, 323	K50-X033	325	KL50-X075	327	K50-Y020-6	330
KL61-Y001	322, 323	K50-X178	325	KL50-X128	327	KL50-X076	330
KN50-X120	322, 323	K50-Y011	325	KL50-X137	327	KL50-X077	330
KN50-X120-A	322, 323	K50-Y020-Z	325	KL50-Y026	327	KL50-X132	330
KN50-X120-F	322, 323	KL50-0200-16	325	KL50-Y027	327	KL50-Y007	330
KN50-X120-M	322, 323	KL50-X029	325	KL50-Y031-Z	327	KL50-Y007-CCV	330
KN50-X120S-06	322, 323	KL50-X032	325	KL50-Y004-20	327	KL50-Y007CVKT	330
KN50-X121	322, 323	KL50-X077	325	KL50-Y004-26	327	KL50-Y007-KT	330
KN50-X121-A	322, 323	KL50-Y00212XZ	325	KL50-Y004-36	327	KL63-Y001-XZ	330
KN50-X121-F	322, 323	KL50-Y00216XZ	325	KL50-Y004-44	327	KL63-Y005	330

MODEL NO.	PAGE NO.	MODEL NO.	PAGE NO.	MODEL NO.	PAGE NO.	MODEL NO.	PAGE NO.
KN50-X120	330	KL50-X137	332	KL50-Y00212XZ	334	KS11-12-X112	336
KN50-X120-A	330	KL50-Y004-20	332	KL50-Y00216XZ	334	KN69-1000	337
KN50-X120-F	330	KL50-Y004-26	332	KL50-Y004-20	334	KL69-1000	337
KN50-X120-M	330	KL50-Y004-36	332	KL50-Y004-26	334	K50-0001	337
KN50-X120S-06	330	KL50-Y004-44	332	KL50-Y004-36	334	K50-0001-6	337
KN50-X121	330	KL50-Y004-60	332	KL50-Y004-44	334	K50-0110	337
KN50-X121-A	330	KL50-Y004-72	332	KL50-Y004-60	334	K50-Y011	337
KN50-X121-F	330	KL50-Y004-96	332	KL50-Y004-72	334	K50-Y020-Z	337
KN50-X201	330	KL50-Y006	332	KL50-Y004-96	334	KL50-0200-16	337
KN50-X201-A	330	KL50-Y006-CCV	332	KL50-Y006	334	KL50-X077	337
KN50-X201-F	330	KL50-Y006CVKT	332	KL50-Y006-CCV	334	KL50-X029	337
KN50-X203	330	KL50-Y006-KT	332	KL50-Y006CVKT	334	KL50-X032	337
KN50-X203-A	330	KL50-Y007	332	KL50-Y006-KT	334	KL50-X122	337
KN50-X203-F	330	KL50-Y007-CCV	332	KL50-Y007	334	KL50-Y002-065	337
KN50-X235-F	330	KL50-Y007CVKT	332	KL50-Y007-CCV	334	KL50-Y00212XZ	337
KN50-X305-A	330	KL50-Y010-KT	332	KL50-Y007CVKT	334	KL50-Y00216XZ	337
KN50-X335-F	330	KL50-Y010-20Z	332	KL50-Y007-KT	334	KL50-Y004-20	337
KS11-12-X006	330	KL50-Y010-26Z	332	KL50-Y010-20Z	334	KL50-Y004-26	337
KS11-12-X008	330	KL50-Y010-36	332	KL50-Y010-26Z	334	KL50-Y004-36	337
KS11-12-X010	330	KL50-Y010-44Z	332	KL50-Y010-36	334	KL50-Y004-44	337
KS11-12-X012	330	KL50-Y010-60Z	332	KL50-Y010-44Z	334	KL50-Y004-60	337
KS11-12-X014	330	KL50-Y010-72Z	332	KL50-Y010-60Z	334	KL50-Y004-72	337
KS11-12-X016	330	KL50-Y010-96Z	332	KL50-Y010-72Z	334	KL50-Y004-96	337
KS11-12-X018A	330	KL50-Y026	332	KL50-Y010-96Z	334	KL50-Y007	337
KS11-12-X112	330	KL60-Y013	332	KL50-Y050-12	334	KL50-Y007-CCV	337
		KL67-Y003	332	KL50-Y050-18	334	KL50-Y007CVKT	337
KN66-1000	331	KN50-X025-Z	332	KL50-Y027	334	KL50-Y007-KT	337
KL66-1000	331	KN50-X065-B	332	KL50-Y051	334	KL50-Y010-20Z	337
K50-0001	331	KN50-X135	332	KL60-Y013	334	KL50-Y010-26Z	337
K50-0001-6	331	KN50-X135-065	332	KL66-Y003	334	KL50-Y010-36	337
K50-0110	331	KN50-X135-12	332	KN50-X025-Z	334	KL50-Y010-44Z	337
K50-Y011	331			KN50-X135	334	KL50-Y010-60Z	337
K50-Y020-Z	331	KN66-3000	333	KN50-X135-065	334	KL50-Y010-72Z	337
KL50-0200-16	331	KL66-3000	333	KN50-X135-12	334	KL50-Y010-96Z	337
KL50-X029	331	K50-0001	333			KL50-Y027	337
KL50-X032	331	K50-0001-6	333	KN67-6000	335, 336	KL70-Y001-XZ	337
KL50-X077	331	K50-0110	333	KL67-6000	335, 336	KN50-X025-Z	337
KL50-Y002-065	331	K50-Y012-Z	333	K50-0001	335, 336	KN50-X135	337
KL50-Y00212XZ	331	KL50-X075	333	K50-0001-6	335, 336	KN50-X135-065	337
KL50-Y00216XZ	331	KL50-X128	333	K50-0110	335, 336	KN50-X135-12	337
KL50-Y004-20	331	KL50-X137	333	KL50-Y006	335, 336		
KL50-Y004-26	331	KL50-Y004-20	333	KL50-Y006-CCV	335, 336	KN69-2000	338
KL50-Y004-36	331	KL50-Y004-26	333	KL50-Y006CVKT	335, 336	KL69-2000	338
KL50-Y004-44	331	KL50-Y004-36	333	KL50-Y006-KT	335, 336	K50-0001	338
KL50-Y004-60	331	KL50-Y004-44	333	KL50-Y007	335, 336	K50-0001-6	338
KL50-Y004-72	331	KL50-Y004-60	333	KL50-Y007-CCV	335, 336	K50-0110	338
KL50-Y004-96	331	KL50-Y004-72	333	KL50-Y007CVKT	335, 336	K50-Y012-Z	338
KL50-Y006	331	KL50-Y004-96	333	KL50-Y007-KT	335, 336	KL50-X137	338
KL50-Y006-CCV	331	KL50-Y006	333	KL50-X075	335, 336	KL50-X128	338
KL50-Y006CVKT	331	KL50-Y006-CCV	333	KL50-X132	335, 336	KL50-0200	338
KL50-Y006-KT	331	KL50-Y006CVKT	333	KL60-Y013	335, 336	KL50-0200-16	338
KL50-Y007	331	KL50-Y006-KT	333	KL67-Y003	335, 336	KL50-Y004-20	338
KL50-Y007-CCV	331	KL50-Y007	333	KN50-X120	335, 336	KL50-Y004-26	338
KL50-Y007CVKT	331	KL50-Y007-CCV	333	KN50-X120-A	335, 336	KL50-Y004-36	338
KL50-Y007-KT	331	KL50-Y007CVKT	333	KN50-X120-F	335, 336	KL50-Y004-44	338
KL50-Y010-20Z	331	KL50-Y007-KT	333	KN50-X120-M	335, 336	KL50-Y004-60	338
KL50-Y010-26Z	331	KL50-Y010-20Z	333	KN50-X120S-06	335, 336	KL50-Y004-72	338
KL50-Y010-36	331	KL50-Y010-26Z	333	KN50-X121	335, 336	KL50-Y004-96	338
KL50-Y010-44Z	331	KL50-Y010-36	333	KN50-X121-A	335, 336	KL50-Y007	338
KL50-Y010-60Z	331	KL50-Y010-44Z	333	KN50-X121-F	335, 336	KL50-Y007-CCV	338
KL50-Y010-72Z	331	KL50-Y010-60Z	333	KN50-X201	335, 336	KL50-Y007CVKT	338
KL50-Y010-96Z	331	KL50-Y010-72Z	333	KN50-X201-A	335, 336	KL50-Y007-KT	338
KL50-Y027	331	KL50-Y010-96Z	333	KN50-X201-F	335, 336	KL50-Y010-20Z	338
KL66-Y003	331	KL50-Y026	333	KN50-X203	335, 336	KL50-Y010-26Z	338
KN50-X025-Z	331	KL50-Y027	333	KN50-X203-A	335, 336	KL50-Y010-36	338
KN50-X135	331	KL50-Y031-Z	333	KN50-X203-F	335, 336	KL50-Y010-44Z	338
KN50-X135-12	331	KL60-Y013	333	KN50-X235-F	335, 336	KL50-Y010-60Z	338
KN50-X135-065	331	KL67-Y003	333	KN50-X305-A	335, 336	KL50-Y010-72Z	338
KL60-Y013	331	KN50-X025-Z	333	KN50-X335-F	335, 336	KL50-Y010-96Z	338
				KS11-12-X000	335	KL50-Y026	338
KN66-2000	332	KN66-5000	334	KS11-12-X001	335	KL50-Y027	338
KL66-2000	332	KL66-5000	334	KS11-12-X002	335	KL50-Y030-Z	338
K50-0001	332	K50-0001	334	KS11-12-X006	336	KL70-Y002	338
K50-0001-6	332	K50-0001-6	334	KS11-12-X008	336	KL50-Y027	338
K50-0110	332	K50-0110	334	KS11-12-X010	336	KL50-Y000-Z	338
K50-Y012-Z	332	K50-Y011	334	KS11-12-X012	336	KL70-Y032	338
KL50-0200	332	K50-Y020-Z	334	KS11-12-X014	336	KN50-X025-Z	338
KL50-0200-16	332	K50-Y500-Z	334	KS11-12-X016	336	KN50-X065-B	338
KL50-X075	332	KL50-0200-16	334	KS11-12-X018A	336	KN50-X135	338
KL50-Y027	332	KL50-X153-26	334	KS11-12-X100	335	KN50-X135-065	338
KL50-X128	332	KL50-X153-32	334	KS11-12-X101	335	KN50-X135-12	338
KL50-Y030-Z	332	KL50-Y002-065	334	KS11-12-X102	335		

INDEX

MODEL NO.	PAGE NO.	MODEL NO.	PAGE NO.	MODEL NO.	PAGE NO.	MODEL NO.	PAGE NO.
KN69-3000	339	K50-Y020-6	342	KN50-X025-Z	344	KL50-Y027	348
KL69-3000	339	KL50-0200-16	342	KN72-9000	345, 346	KL50-Y030-Z	348
K50-0001	339	KL50-X029	342	KL72-9000	345, 346	KL50-Y004-20	348
K50-0001-6	339	KL50-X032	342	KL50-X122	345	KL50-Y004-26	348
K50-0110	339	KL50-X077	342	KL50-X123	345, 346	KL50-Y004-36	348
K50-Y012-Z	339	KL50-X122	342	KL50-X132	345, 346	KL50-Y004-44	348
KL50-X128	339	KL50-X123	342	KN50-X120	345, 346	KL50-Y004-60	348
KL50-X137	339	KL50-Y004-20	342	KN50-X120-A	345, 346	KL50-Y004-72	348
KL50-Y004-20	339	KL50-Y004-26	342	KN50-X120-F	345, 346	KL50-Y004-96	348
KL50-Y004-26	339	KL50-Y004-36	342	KN50-X120-M	345, 346	KL50-Y010-20Z	348
KL50-Y004-36	339	KL50-Y004-44	342	KN50-X120S-06	345, 346	KL50-Y010-26Z	348
KL50-Y004-44	339	KL50-Y004-60	342	KN50-X121	345, 346	KL50-Y010-36	348
KL50-Y004-60	339	KL50-Y004-72	342	KN50-X121-A	345, 346	KL50-Y010-44Z	348
KL50-Y004-72	339	KL50-Y004-96	342	KN50-X121-F	345, 346	KL50-Y010-60Z	348
KL50-Y004-96	339	KL50-Y010-20Z	342	KN50-X201	345, 346	KL50-Y010-72Z	348
KL50-Y007	339	KL50-Y010-26Z	342	KN50-X201-A	345, 346	KL50-Y010-96Z	348
KL50-Y007-CCV	339	KL50-Y010-36	342	KN50-X201-F	345, 346	KN50-X025-Z	348
KL50-Y007CVKT	339	KL50-Y010-44Z	342	KN50-X203	345, 346	KN50-X065-B	348
KL50-Y007-KT	339	KL50-Y010-60Z	342	KN50-X203-A	345, 346	KN50-X135	348
KL50-Y010-20Z	339	KL50-Y010-96Z	342	KN50-X235-F	345, 346	KN50-X135-065	348
KL50-Y010-26Z	339	KL50-Y00212XZ	342	KN50-X305-A	345, 346	KN50-X135-12	348
KL50-Y010-36	339	KL50-Y00216XZ	342	KN50-X335-F	345, 346	KN73-3000	349
KL50-Y010-44Z	339	KL50-Y027	342	KS11-12-X000	345	KL73-3000	349
KL50-Y010-60Z	339	KN50-X025-Z	342	KS11-12-X001	345	K50-Y012-Z	349
KL50-Y010-72Z	339	KN50-X135	342	KS11-12-X002	345	KL50-X125	349
KL50-Y010-96Z	339	KN50-X135-065	342	KS11-12-X006	346	KL50-X128	349
KL50-Y026	339	KN50-X135-12	342	KS11-12-X008	346	KL50-X137	349
KL50-Y027	339	KN71-2000	343	KS11-12-X010	346	KL50-Y004-20	349
KL50-Y031-Z	339	KL71-2000	343	KS11-12-X012	346	KL50-Y004-26	349
KL70-Y002	339	KL50-0200	343	KS11-12-X014	346	KL50-Y004-36	349
KN50-X025-Z	339	KL50-0200-16	343	KS11-12-X016	346	KL50-Y004-44	349
KN70-9000	340, 341	KL50-X123	343	KS11-12-X018A	346	KL50-Y004-60	349
KL70-9000	340, 341	KL50-X128	343	KS11-12-X100	345	KL50-Y004-72	349
K50-0001	340, 341	KL50-X137	343	KS11-12-X101	345	KL50-Y004-96	349
K50-0001-6	340, 341	KL50-Y004-20	343	KS11-12-X102	345	KL50-Y010-20Z	349
K50-0110	340, 341	KL50-Y004-26	343	KN73-1000	347	KL50-Y010-26Z	349
KL50-X122	340	KL50-Y004-36	343	KL73-1000	347	KL50-Y010-36	349
KL50-X132	340, 341	KL50-Y004-44	343	K50-X033	347	KL50-Y010-44Z	349
KL50-Y007	340, 341	KL50-Y004-60	343	K50-X178	347	KL50-Y010-60Z	349
KL50-Y007-CCV	340, 341	KL50-Y004-72	343	K50-Y020-Z	347	KL50-Y010-72Z	349
KL50-Y007CVKT	340, 341	KL50-Y004-96	343	K50-Y020-6	347	KL50-Y010-96Z	349
KL50-Y007-KT	340, 341	KL50-Y010-20Z	343	K50-Y011	347	KL50-Y026	349
KL70-Y002	340, 341	KL50-Y010-26Z	343	KL50-X077	347	KL50-Y027	349
KN50-X120	340, 341	KL50-Y010-36	343	KL50-X022	347	KL50-Y031-Z	349
KN50-X120-A	340, 341	KL50-Y010-44Z	343	KL50-X029	347	KN50-X025-Z	349
KN50-X120-F	340, 341	KL50-Y010-60Z	343	KL50-X029	347	KN74-9000	350, 351
KN50-X120-M	340, 341	KL50-Y010-72Z	343	KL50-X125	347	KL74-9000	350, 351
KN50-X120S-06	340, 341	KL50-Y010-96Z	343	KL50-X132	347	KL50-X122	350
KN50-X121	340, 341	KL50-Y026	343	KL50-0200-16	347	KL50-X125	350, 351
KN50-X121-A	340, 341	KL50-Y030-Z	343	KL50-Y00212XZ	347	KL50-X132	350, 351
KN50-X121-F	340, 341	KL50-Y027	343	KL50-Y00216XZ	347	KN50-X120	350, 351
KN50-X201	340, 341	KN50-X025-Z	343	KL50-Y004-20	347	KN50-X120-A	350, 351
KN50-X201-A	340, 341	KN50-X065-B	343	KL50-Y004-26	347	KN50-X120-F	350, 351
KN50-X201-F	340, 341	KN50-X135	343	KL50-Y004-36	347	KN50-X120-M	350, 351
KN50-X203	340, 341	KN50-X135-065	343	KL50-Y004-44	347	KN50-X120S-06	350, 351
KN50-X203-A	340, 341	KN50-X135-12	343	KL50-Y004-60	347	KN50-X121	350, 351
KN50-X203-F	340, 341	KN71-3000	344	KL50-Y004-72	347	KN50-X121-A	350, 351
KN50-X235-F	340, 341	KL71-3000	344	KL50-Y004-96	347	KN50-X121-F	350, 351
KN50-X305-A	340, 341	K50-Y012-Z	344	KL50-Y010-20Z	347	KN50-X201	350, 351
KN50-X335-F	340, 341	KL50-Y012-Z	344	KL50-Y010-26Z	347	KN50-X201-A	350, 351
KS11-12-X000	340	KL50-X123	344	KL50-Y010-36	347	KN50-X201-F	350, 351
KS11-12-X001	340	KL50-X128	344	KL50-Y010-44Z	347	KN50-X235-F	350, 351
KS11-12-X002	340	KL50-X137	344	KL50-Y010-60Z	347	KN50-X335-F	350, 351
KS11-12-X006	341	KL50-Y004-20	344	KL50-Y010-72Z	347	KN50-X203	350, 351
KS11-12-X008	341	KL50-Y004-26	344	KL50-Y010-96Z	347	KN50-X203-A	350, 351
KS11-12-X010	341	KL50-Y004-36	344	KL50-Y027	347	KN50-X203-F	350, 351
KS11-12-X012	341	KL50-Y004-44	344	KN50-X025-Z	347	KN50-X305-A	350, 351
KS11-12-X014	341	KL50-Y004-60	344	KN50-X135	347	KS11-12-X000	350, 351
KS11-12-X016	341	KL50-Y004-72	344	KN50-X135-12	347	KS11-12-X001	350, 351
KS11-12-X018A	341	KL50-Y004-96	344	KN50-X135-065	347	KS11-12-X002	350, 351
KS11-12-X100	340	KL50-Y010-20Z	344	KN73-2000	348	KS11-12-X006	350, 351
KS11-12-X101	340	KL50-Y010-26Z	344	KL73-2000	348	KS11-12-X008	350, 351
KS11-12-X102	340	KL50-Y010-36	344	K50-Y012-Z	348	KS11-12-X010	350, 351
KS11-12-X112	341	KL50-Y010-44Z	344	KL50-0200	348	KS11-12-X012	350, 351
KN71-1000	342	KL50-Y010-60Z	344	KL50-0200-16	348	KS11-12-X014	350, 351
KL71-1000	342	KL50-Y010-72Z	344	KL50-X125	348	KS11-12-X016	350, 351
K50-X033	342	KL50-Y010-96Z	344	KL50-X128	348	KS11-12-X018A	350, 351
K50-X178	342	KL50-Y026	344	KL50-X137	348	KS11-12-X100	350, 351
K50-Y011	342	KL50-Y031-Z	344	KL50-Y026	348	KS11-12-X101	350, 351
K50-Y020-Z	342	KL50-Y027	344			KS11-12-X102	350, 351

MODEL NO.	PAGE NO.	MODEL NO.	PAGE NO.	MODEL NO.	PAGE NO.	MODEL NO.	PAGE NO.
KN76-9000	352	KL77-Y003-XZ	355	KN50-X121-F	359		
KL76-9000	352	K77-8106-BR	356	KN50-X201-F	359		
K50-0001	352	K50-0001	356	KN50-X201	359		
K70-X002	352	K50-0001-6	356	KN50-X201-A	359		
K70-X003	352	K50-0110	356	KN50-X203	359		
KL50-X132	352	K50-X138-S	356	KN50-X203-A	359		
KL50-Y007	352	K77-X006	356	KN50-X203-F	359		
KL76-Y001	352	K77-X010	356	KN50-X235-F	359		
KN50-X120	352	K77-Y001	356	KN50-X305-A	359		
KN50-X120-A	352	K77-Y002	356	KN50-X335-F	359		
KN50-X120-F	352	KL50-Y006	356	KN84-X017	359		
KN50-X120-M	352	KL50-Y006-CCV	356	KL84-X038	359		
KN50-X120S-06	352	KL50-Y006CVKT	356	KL84-Y101-CXZ	359		
KN50-X121	352	KL50-Y006-KT	356	KL84-Y101-HXZ	359		
KN50-X121-A	352	KL50-Y007	356				
KN50-X121-F	352	KL50-Y007-CCV	356	KL84-8105-CE4	360		
KN50-X201	352	KL50-Y007CVKT	356	K50-0001	360		
KN50-X201-A	352	KL50-Y007-KT	356	KN50-Y006	360		
KN50-X201-F	352	KL77-Y003-XZ	356	KN50-Y007	360		
KN50-X203	352			KN50-X120	360		
KN50-X203-A	352	KN83-4000	357, 358	KN84-X017	360		
KN50-X203-F	352	KL83-4000	357, 358	KN84-X038	360		
KN50-X235-F	352	K50-0001	357, 358	KN84-Y005-CA	360		
KN50-X305-A	352	K50-0001-6	357, 358	KN84-Y101-C	360		
KN50-X335-F	352	K50-0110	357, 358	KN84-Y101-H	360		
KS11-12-X006	352	K50-X011	357, 358				
KS11-12-X008	352	K50-X117	357, 358	TLL13-1100-BRZ	361		
KS11-12-X010	352	KL50-Y006	357, 358	K13-1000	361		
KS11-12-X012	352	KL50-Y006-CCV	357, 358	K50-X033	361		
KS11-12-X014	352	KL50-Y006CVKT	357, 358	K50-Y011	361		
KS11-12-X016	352	KL50-Y006-KT	357, 358	K50-Y020-Z	361		
KS11-12-X018A	352	KL50-Y007	357, 358	KC50-Y004-20	361		
		KL50-Y007-CCV	357, 358	KC50-Y004-26	361		
		KL50-Y007CVKT	357, 358	KC50-Y004-36	361		
		KL50-Y007-KT	357, 358	KC50-Y004-44	361		
K77-8002	353	KL83-Y101	357	KC50-Y004-60	361		
K50-0001	353	KL83-Y104-CA	358	KC50-Y004-72	361		
K50-0001-6	353	KS11-12-X100	357	KC50-Y004-96	361		
K50-0110	353	KS11-12-X101	357	KC50-Y01020XZ	361		
K77-X003	353	KS11-12-X102	357	KC50-Y01026XZ	361		
K77-X009	353	KN50-X120	357, 358	KC50-Y010-36	361		
K77-Y003	353	KN50-X120-A	357, 358	KC50-Y01044XZ	361		
KL50-Y006	353	KN50-X120-F	357, 358	KC50-Y01060XZ	361		
KL50-Y006-CCV	353	KN50-X120-M	357, 358	KC50-Y01072XZ	361		
KL50-Y006CVKT	353	KN50-X120S-06	357, 358	KC50-Y01096XZ	361		
KL50-Y006-KT	353	KN50-X121	357, 358	KL40-1000	361		
KL50-Y007	353	KN50-X121-A	357, 358	KL40-2020	361		
KL50-Y007-CCV	353	KN50-X121-F	357, 358	KL50-0200-16	361		
KL50-Y007CVKT	353	KN50-X201	357, 358	KL50-X029	361		
KL50-Y007-KT	353	KN50-X201-A	357, 358	KL50-X032	361		
		KN50-X201-F	357, 358	KL50-X077	361		
		KN50-X203	357, 358	KL50-Y027	361		
		KN50-X203-A	357, 358	KN50-X025-SGZ	361		
		KN50-X203-F	357, 358	KN50-X135	361		
		KN50-X235-F	357, 358	KN50-X135-065	361		
		KN50-X305-A	357, 358	KN50-X135-12	361		
		KN50-X335-F	357, 358	KS11-06-X006	361		
				KS11-06-X008	361		
K77-8006-BR	354	KN84-8000	359	KS11-06-X010	361		
K50-0001	354	KL84-8000	359	KS11-06-X012	361		
K50-0001-6	354	K50-0001	359	KS11-06-X014	361		
K50-0110	354	K50-0001-6	359	KS11-06-X016	361		
K77-X006	354	K50-0110	359	KS11-06-X112	361		
K77-X009	354	K50-X011	359	TLL-0010	361		
K77-Y001	354	K50-X117	359	TLL13-Y003-16	361		
K77-Y002	354	KL50-Y006	359	TLL13-Y003-CCVXZ	361		
KL50-Y006	354	KL50-Y006-CCV	359				
KL50-Y006-CCV	354	KL50-Y006CVKT	359	TLL15-4000	362		
KL50-Y006CVKT	354	KL50-Y006-KT	359	K70-Y003	362		
KL50-Y006-KT	354	KL50-Y007	359	KS11-6-X000	362		
KL50-Y007	354	KL50-Y007-CCV	359	KS11-6-X001	362		
KL50-Y007-CCV	354	KL50-Y007CVKT	359	KS11-6-X002	362		
KL50-Y007CVKT	354	KL50-Y007-KT	359	TLL15-Y001-XZ	362		
KL50-Y007-KT	354	KL84-Y005-CE	359	TLL15-0010	362		
		KN50-X120	359				
K77-8102	355	KN50-X120-A	359				
K50-0001	355	KN50-X120-F	359				
K50-0001-6	355	KN50-X120-M	359				
K50-0110	355	KN50-X120S-06	359				
K50-X138-S	355	KN50-X121	359				
K77-X010	355	KN50-X121-A	359				
K77-Y001	355						
KL50-Y006	355						
KL50-Y006-CCV	355						
KL50-Y006CVKT	355						
KL50-Y006-KT	355						
KL50-Y007	355						
KL50-Y007-CCV	355						
KL50-Y007CVKT	355						
KL50-Y007-KT	355						

TERMS AND CONDITIONS

Terms of Payment - NET 30 days subject to satisfactory credit arrangements. (No shipments will be made to accounts which are in arrears.)

Minimum Charge - There is a minimum billing charge of \$50.00 per invoice.

Deliveries - Component Hardware® is not responsible for delays in deliveries due to circumstances beyond our control such as fires, strikes, transportation delays, material shortages, accidents or other contingencies of similar nature.

Returned Merchandise - No returned goods will be accepted without permission. A Returned Goods Authorization number is required prior to return, which can be obtained by calling Component Hardware at 800-526-3694. All returns must have the RGA Number posted on the exterior of all associated cartons.

No item will be accepted for return six months after invoice date. Freight charges for returned goods must be prepaid. All returned goods are subject to a 25% restocking charge and must be in complete and resalable condition. Items made to customers' specifications or specially ordered goods are not returnable.

Shortages - Any claims for shortage must be made immediately upon receipt of merchandise. Shortage claims will be invalid unless Component Hardware is notified in writing within 30 days of invoice date.

Special Products - If orders for items that are special (non-catalog) are cancelled, Component Hardware shall be reimbursed for any expense incurred in the purchase of raw or finished material and further processing thereof.

Product Changes - Although all items will be furnished as described unless otherwise indicated. However, we reserve the right to alter, modify, or redesign products without creating any liability for the obsolescence of customer inventories.

Taxes - Any federal, state or city taxes applicable will be added to prices shown. Clerical and printing errors and omissions are subject to correction. No representative, dealer, distributor or any other person is authorized or permitted to obligate this corporation to any liability, not strictly in accordance with the above policies.

LIMITED WARRANTY

PLEASE READ THIS LIMITED WARRANTY BEFORE INSTALLING OR USING ANY ENCORE® PRODUCT. IF THESE TERMS ARE NOT ACCEPTABLE TO YOU, IMMEDIATELY RETURN THE PRODUCT TO COMPONENT HARDWARE GROUP, INC. BEFORE INSTALLATION OR USE.

Component Hardware offers a three year warranty on all Encore Premium pre-rinses and electronic faucets. We offer a two year warranty on all other Encore products, with the exception of our commercial hoses, which carry a one year warranty. All TOP-LINE® products carry a one year warranty.

Encore premium plumbing products are manufactured to a rigid code of quality standards and subjected to extensive testing prior to shipment. We assure that each product leaves our factory in perfect working order. With proper care, Encore products will provide the user with years of satisfying service.

Component Hardware warrants to the original purchaser (other than for purposes of resale) of any Encore brand product that such product is free from defects in workmanship and materials for the warranty period from the original date of purchase. During this limited warranty period, if this product is found to be defective, Component Hardware will, at its option, repair and/or replace it. To obtain warranty service, products must be returned to Component Hardware Group, Inc., 1890 Swarthmore Avenue, Lakewood, New Jersey, 08701, using the aforementioned procedure for Returned Merchandise. Shipping, freight, insurance and other transportation charges of the returned product to Component Hardware and the return of the repaired or replaced product to the purchaser are the responsibility of the purchaser. Replacement and/or repair under this warranty shall be made within a responsible time after receipt by Component Hardware of the returned product.

Any express warranty not provided herein and any remedy for breach of contract which but for this provision might arise by implication or operation of law, is hereby excluded and disclaimed. Any implied warranties of merchantability or fitness for a particular purpose are limited in duration to the above one-year period.

Under no circumstance shall Component Hardware be liable to purchaser or any other person for any loss of use of the product or any special or consequential costs, expenses or damages whether arising out of breach or warranty, breach of contract or otherwise incurred by the purchaser or any other user.

Some states do not allow limitations on how long an implied warranty lasts or the exclusion or limitation of incidental or consequential damages, so the above limitations or exclusions may not apply to you. This warranty gives you specific rights and you may also have other rights which vary from state to state.



© Copyright 2020, Component Hardware
CAT-X023 02/2020 Printed in the U.S.A.

All photographs and illustrations are considered to be a representation of the actual item. In some cases there may be slight variations. This catalog, copy, part numbers and unique method of illustrating products is copyrighted by Component Hardware All rights reserved. No portion of this catalog may be reproduced in any form or by any means in whole or in part, without the written consent of Component Hardware. Component Hardware reserves the right to make any and all changes and to discontinue any of its products without notice. Not responsible for typographical errors.

Encore[®]
PREMIUM PLUMBING PRODUCTS

1890 Swarthmore Avenue • Lakewood, NJ 08701 • Tel. 800-526-3694 • 732-363-4700 • Fax 732-364-8110

www.componenthardware.com