



TOP-LINE[®]
PLUMBING PRODUCTS



800-526-3694 ◊ www.toplineplumbing.com



Component Hardware is the premier source for proprietary and industry-specific specialty components with special emphasis on sustainability, labor efficiency, and life cycle value. Bringing nearly 35 years of expertise in design innovation, sourcing, warehousing and global supply chain management to OEMs, fabricators, and facility operators worldwide.
www.componenthardware.com



Encore Premium Plumbing Products are recognized around the world by leading foodservice operators and institutional facility managers for its durability, water savings, energy efficiency, and meeting the most stringent sanitation standards.
www.encoreplumbing.com



Top-Line Plumbing Products offer a cost saving alternative to meet the demand of the foodservice market for durable, water saving plumbing fixtures.
www.toplineplumbing.com



Flame Gard offers the widest variety of commercial grease filters and kitchen exhaust system accessories and are engineered for safety, performance, efficiency and, above all, code compliance.
www.flamegard.com



Keil Refrigeration provides value-added hardware and lighting systems for reach-in and walk-in refrigeration manufacturers worldwide. Our innovation durability, and energy efficiency, provide the best in quality and service in the most demanding environments.
www.keilhardware.com

INTRODUCTION TO TOP-LINE PLUMBING

Top-Line Product Overview	2-3
---------------------------	-----

TOP-LINE POWERPULSE PRE-RINSE ASSEMBLIES

Wall/Splash Mount 8" OC	4
Deck Mount Double Pantry	5
Deck Mount Elevated Bridge 8" OC	6
Deck Mount Elevated Bridge 4" OC	7
Deck Mount Single Pantry	8

TOP-LINE STANDARD PRE-RINSE ASSEMBLIES

Wall/Splash Mount 8" OC	9
Deck Mount Double Pantry	10
Deck Mount Elevated Bridge 8" OC	11
Deck Mount Elevated Bridge 4" OC	12
Deck Mount Single Pantry	13

TOP-LINE WALL/SPLASH MOUNT FAUCETS

Wall/Splash Mount 8" OC	14
Wall/Splash Mount 4" OC	15

TOP-LINE DECK MOUNT FAUCETS

Deck Mount Faucet 4" OC	16
Deck Mount Faucet 8" OC	17
Deck Mount Elevated Bridge 8" OC	18
Deck Mount Elevated Bridge 4" OC	19
Deck Mount Double Pantry	20
Deck Mount Single Pantry	21

TOP-LINE HYBRID FAUCET

Wall/Splash Mount 4" OC	22
Deck Mount Faucet 4" OC	22

TOP-LINE SERVICE SINK FAUCET

Splash Mount Faucet	23
---------------------	----

TOP-LINE DRAINS

Lever Handle Drain	24
Twist Handle Drain	24
Sink Mate Rotary Drain	25

TOP-LINE ACCESSORIES

Faucet Bodies	26
Spouts	27
Replacement Handles	27
Repair Kits	27
Mounting Kits	27
Replacement Hoses	28
Pre-Rinse Grip	28
Replacement Spray Heads	28
Pre-Rinse Spring	28
Pre-Rinse Risers	28
Pre-Rinse Top Half	28
Add-On Faucets	28
Pre-Rinse Wall Bracket	29
Pre-Rinse Accessories	29

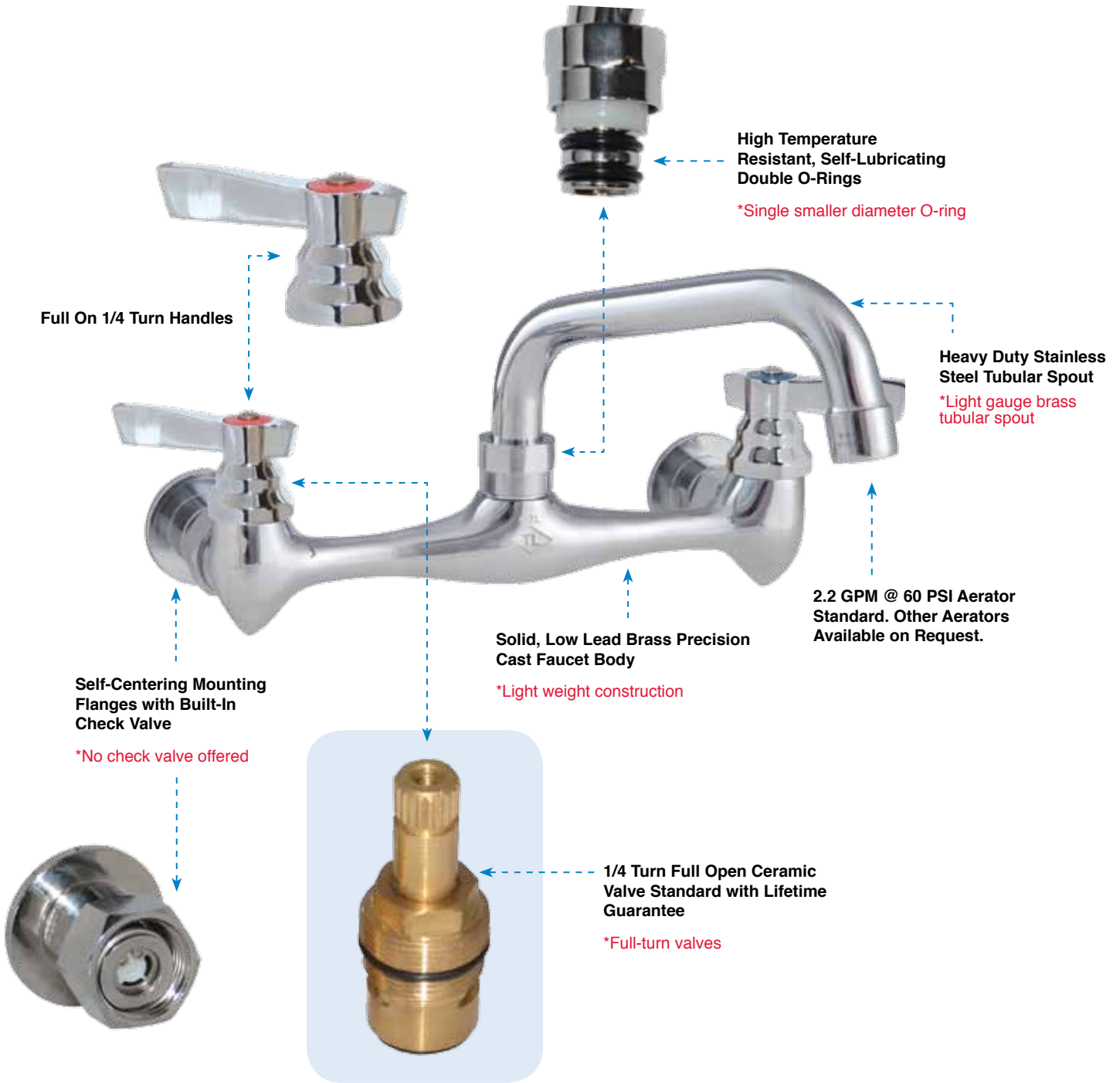
TOP-LINE POP DISPLAYS

Floor Display	30
Countertop Display	30

TOP-LINE TERMS & CONDITIONS

Terms & Conditions, Warranty	31
------------------------------	----

Compare us to the Competition*



*Compared to competition - details from most current competitor sales literature



Compare us to the Competition*

Heavy-Duty Ergonomic Gooseneck Spring Available in Chrome or Stainless Steel

Interlocking Helical Coils Won't Unravel
*Hose shield can unravel, puncture hose

3-Ply Nylon-Reinforced High Pressure Santoprene® Inner Hose
*Thin gauge vinyl hose

High Pressure Hydraulic Fittings
*'Barb' fitting can pull out of hose

Patented Wall Bracket with Compression Fitting Provides Quick, Easy Installation
*Set screw on wall bracket susceptible to stripping out; failure causes riser pipe to break

Patented Kool Grip™ Reduces Heat Transferred to the Hand. 30° Cooler than Water Temperature
*Uninsulated handle with copper tube transfers heat

Patented PowerPulse™ Spray Available in 0.45gpm, 0.65gpm, 0.74gpm, 1.05gpm, 1.22gpm and 1.52gpm with 3 Year Warranty

PowerPulse cleans up to 43% faster and uses up to 58% less water than the leading competitor's spray valve according to The Fisher Nickel, Inc. Food Service Technology Center.

Non-Marring, Dish Sensitive, Rubber Bumper
*Plastic bumper

Reinforced Thermoplastic Face Plate
*Thin gauge face plate subject to cracking; can rotate in the bumper, causing excessive overspray

Add-On Faucet

1/4 Turn Ceramic Valves Offer Full Volume Water Flow
*Full turn valves

Built-In Check Valves Prevent Cross Flow and Back Flow
*Does not offer

Embedded Temperature Resistant O-Rings Eliminate Leak Points
*Washers

WaterSense
MAKES EPA CERTIFIED
NSF International

*Compared to competition - details from most current competitor sales literature
Santoprene® is a registered trademark of ExxonMobil Corporation





PRE-RINSE 8" OC SPLASH MOUNT WITH POWERPULSE SPRAY TLP13-11Lx-BRZ SERIES

Model No	Flow Rate	Valves	Spring	Wall Bracket
TLP13-11L2-BRZ	0.67GPM			
TLP13-11L3-BRZ	0.74GPM			
TLP13-11L4-BRZ	1.05GPM	Ceramic	Chrome Plated	Yes
TLP13-11L5-BRZ	1.22GPM			
TLP13-11L6-BRZ	1.52GPM			

To add optional mounting kit use TLP13-11Lx-BRMKZ



Model No	Valves	Spring	Wall Bracket	Add-On Faucet (A)
TLP13-11Lx-AF1Z				6" (152mm)
TLP13-11Lx-AF2Z				8" (203mm)
TLP13-11Lx-AF3Z				10" (254mm)
TLP13-11Lx-AF4Z	Ceramic	Chrome Plated	Yes	12" (305mm)
TLP13-11Lx-AF5Z				14" (356mm)
TLP13-11Lx-AF6Z				16" (406mm)
TLP13-11Lx-AF7Z				18" (457mm)

To add optional mounting kit with add-on models use TLP13-11Lx-AFxMKZ

Approximate shipping weight - 13 lb

Warranty - 1 year parts

Power Pulse Spray cleans faster, as low as 12 seconds, and reduces water consumption by up to 58%. Patent Pending.

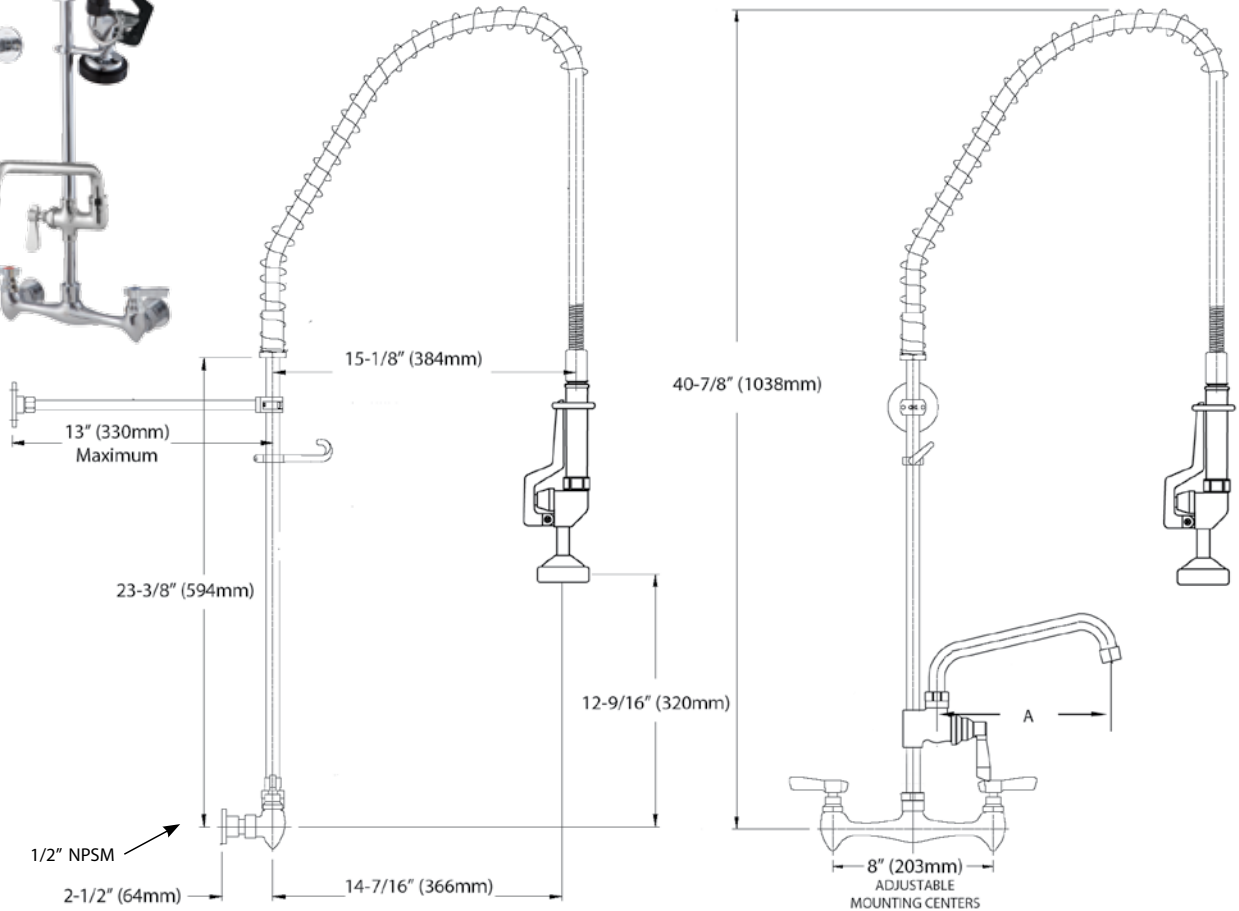
8" OC Splash Mount Pre-Rinse unit

¼ Turn full open Ceramic valves with Lifetime Guarantee

Built-in check valves to prevent cross flow and back flow

Patented "Kool Grip" pre-rinse grip lowers surface temperature up to 30 degrees

Patented wall bracket with compression fitting



NOTE: Uses TLL-0010 Repair Kit



PRE-RINSE DECK MOUNT DOUBLE PANTRY WITH POWERPULSE SPRAY TLP50-11Lx-BRZ SERIES



Model No	Flow Rate	Valves	Spring	Wall Bracket
TLP50-11L2-BRZ	0.67GPM	Ceramic	Chrome Plated	Yes
TLP50-11L3-BRZ	0.74GPM			
TLP50-11L4-BRZ	1.05GPM			
TLP50-11L5-BRZ	1.22GPM			
TLP50-11L6-BRZ	1.52GPM			

Model No	Valves	Spring	Wall Bracket	Add-On Faucet (A)
TLP50-11Lx-AF1Z	Ceramic	Chrome Plated	Yes	6" (152mm)
TLP50-11Lx-AF2Z				8" (203mm)
TLP50-11Lx-AF3Z				10" (254mm)
TLP50-11Lx-AF4Z				12" (305mm)
TLP50-11Lx-AF5Z				14" (356mm)
TLP50-11Lx-AF6Z				16" (406mm)
TLP50-11Lx-AF7Z				18" (457mm)



Approximate shipping weight - 10 lb
Warranty - 1 year parts

Power Pulse Spray cleans faster, as low as 12 seconds, and reduces water consumption by up to 58%. Patent Pending.

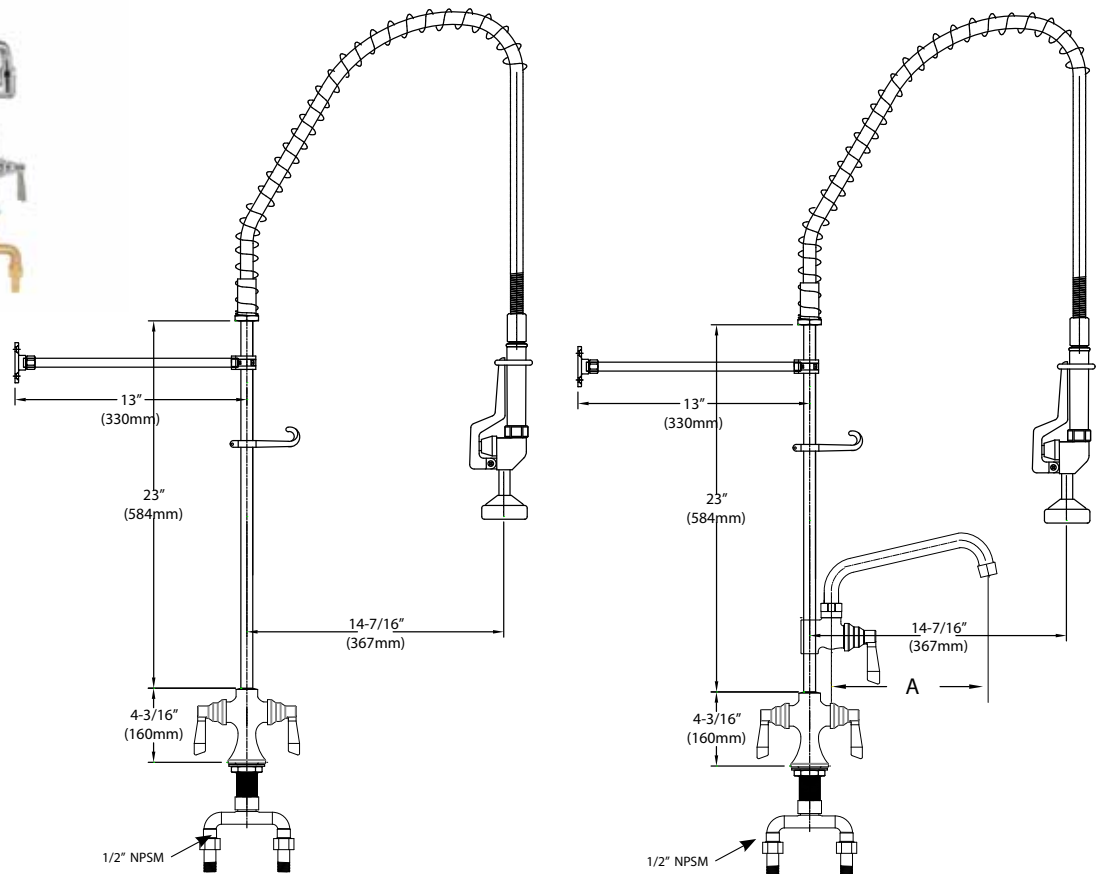
Double Pantry Deck Mount Pre-Rinse unit

¼ Turn full open Ceramic valves with Lifetime Guarantee

Built-In check valves to prevent cross flow and back flow

Patented "Kool Grip" pre-rinse grip lowers surface temperature up to 30 degrees

Patented wall bracket with compression fitting



NOTE: Uses TLL-0010 Repair Kit



PRE-RINSE 8" OC ELEVATED DECK MOUNT WITH POWERPULSE SPRAY TLP61-11Lx-BRZ SERIES

Model No	Flow Rate	Valves	Spring	Wall Bracket
TLP61-11L2-BRZ	0.67GPM			
TLP61-11L3-BRZ	0.74GPM			
TLP61-11L4-BRZ	1.05GPM	Ceramic	Chrome Plated	Yes
TLP61-11L5-BRZ	1.22GPM			
TLP61-11L6-BRZ	1.52GPM			

To add optional mounting kit use TLP61-11Lx-BRMKZ



Model No	Valves	Spring	Wall Bracket	Add-On Faucet (A)
TLP61-11Lx-AF1Z				6" (152mm)
TLP61-11Lx-AF2Z				8" (203mm)
TLP61-11Lx-AF3Z				10" (254mm)
TLP61-11Lx-AF4Z	Ceramic	Chrome Plated	Yes	12" (305mm)
TLP61-11Lx-AF5Z				14" (356mm)
TLP61-11Lx-AF6Z				16" (406mm)
TLP61-11Lx-AF7Z				18" (457mm)

To add optional mounting kit with add-on models use TLP61-11Lx-AFxMKZ
Approximate shipping weight - 13 lb
Warranty - 1 year parts

Power Pulse Spray cleans faster, as low as 12 seconds, and reduces water consumption by up to 58%. Patent Pending.

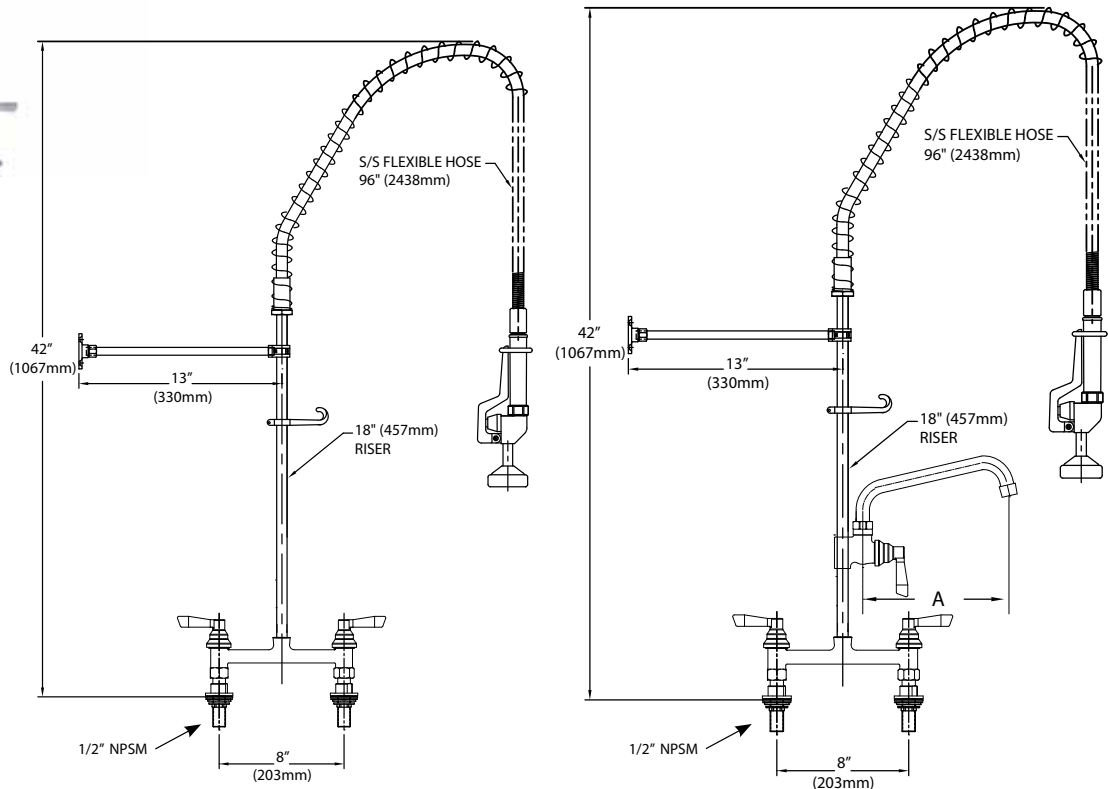
8" OC Elevated Deck Mount Pre-Rinse unit

¼ Turn full open Ceramic valves with Lifetime Guarantee

Built-In check valves to prevent cross flow and back flow

Patented "Kool Grip" pre-rinse grip lowers surface temperature up to 30 degrees

Patented wall bracket with compression fitting



NOTE: Uses TLL-0010 Repair Kit



PRE-RINSE 4" OC ELEVATED DECK MOUNT WITH POWERPULSE SPRAY TLP57-11Lx-BRZ SERIES



Model No	Flow Rate	Valves	Spring	Wall Bracket
TLP57-11L2-BRZ	0.67GPM			
TLP57-11L3-BRZ	0.74GPM			
TLP57-11L4-BRZ	1.05GPM	Ceramic	Chrome Plated	Yes
TLP57-11L5-BRZ	1.22GPM			
TLP57-11L6-BRZ	1.52GPM			

To add optional mounting kit use TLP57-11Lx-BRMKZ



Model No	Valves	Spring	Wall Bracket	Add-On Faucet (A)
TLP57-11Lx-AF1Z				6" (152mm)
TLP57-11Lx-AF2Z				8" (203mm)
TLP57-11Lx-AF3Z				10" (254mm)
TLP57-11Lx-AF4Z	Ceramic	Chrome Plated	Yes	12" (305mm)
TLP57-11Lx-AF5Z				14" (356mm)
TLP57-11Lx-AF6Z				16" (406mm)
TLP57-11Lx-AF7Z				18" (457mm)

To add optional mounting kit with add-on models use TLP57-11Lx-AFxMKZ
 Approximate shipping weight - 10 lb
 Warranty - 1 year parts

Power Pulse Spray cleans faster, as low as 12 seconds, and reduces water consumption by up to 58%. Patent Pending.

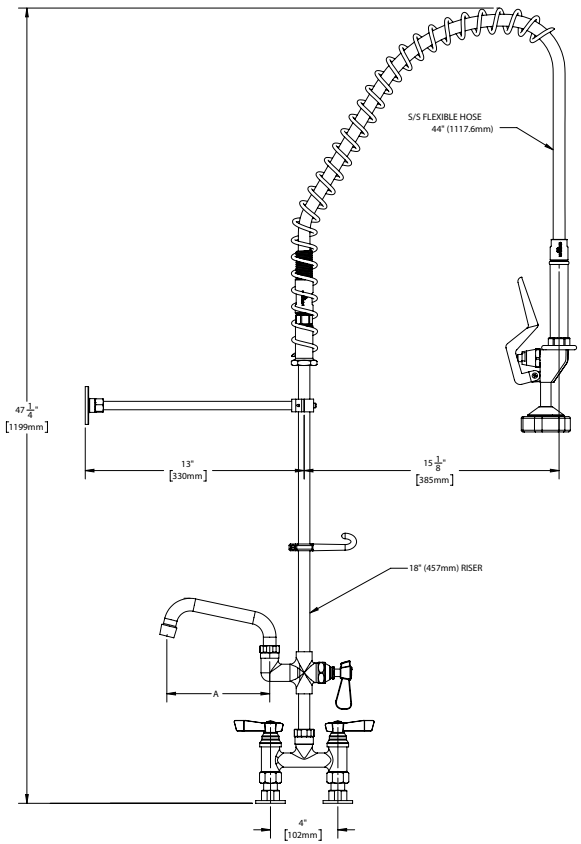
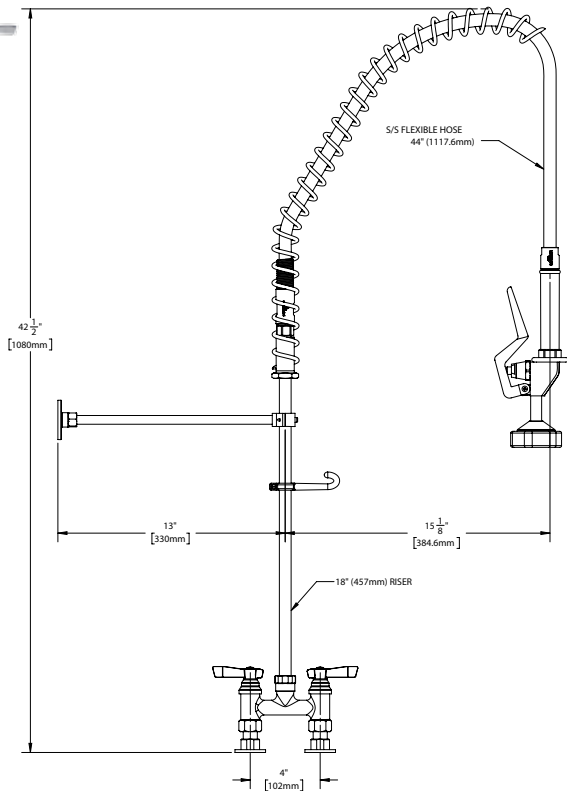
4"OC Elevated Deck Mount Pre-Rinse unit

¼ Turn full open Ceramic valves with Lifetime Guarantee

Built-in check valves to prevent cross flow and back flow

Patented "Kool Grip" pre-rinse grip lowers surface temperature up to 30 degrees

Patented wall bracket with compression fitting



NOTE: Uses TLL-0010 Repair Kit





PRE-RINSE DECK MOUNT SINGLE PANTRY WITH POWERPULSE SPRAY TLP20-11Lx-BRZ SERIES

Model No	Flow Rate	Valves	Spring	Wall Bracket
TLP20-11L2-BRZ	0.67GPM	Ceramic	Chrome Plated	Yes
TLP20-11L3-BRZ	0.74GPM			
TLP20-11L4-BRZ	1.05GPM			
TLP20-11L5-BRZ	1.22GPM			
TLP20-11L6-BRZ	1.52GPM			



Model No	Valves	Spring	Wall Bracket	Add-On Faucet (A)
TLP20-11Lx-AF1Z	Ceramic	Chrome Plated	Yes	6" (152mm)
TLP20-11Lx-AF2Z				8" (203mm)
TLP20-11Lx-AF3Z				10" (254mm)
TLP20-11Lx-AF4Z				12" (305mm)
TLP20-11Lx-AF5Z				14" (356mm)
TLP20-11Lx-AF6Z				16" (406mm)
TLP20-11Lx-AF7Z				18" (457mm)

Approximate shipping weight - 10 lb
Warranty - 1 year parts

Power Pulse Spray cleans faster, as low as 12 seconds, and reduces water consumption by up to 58%. Patent Pending.

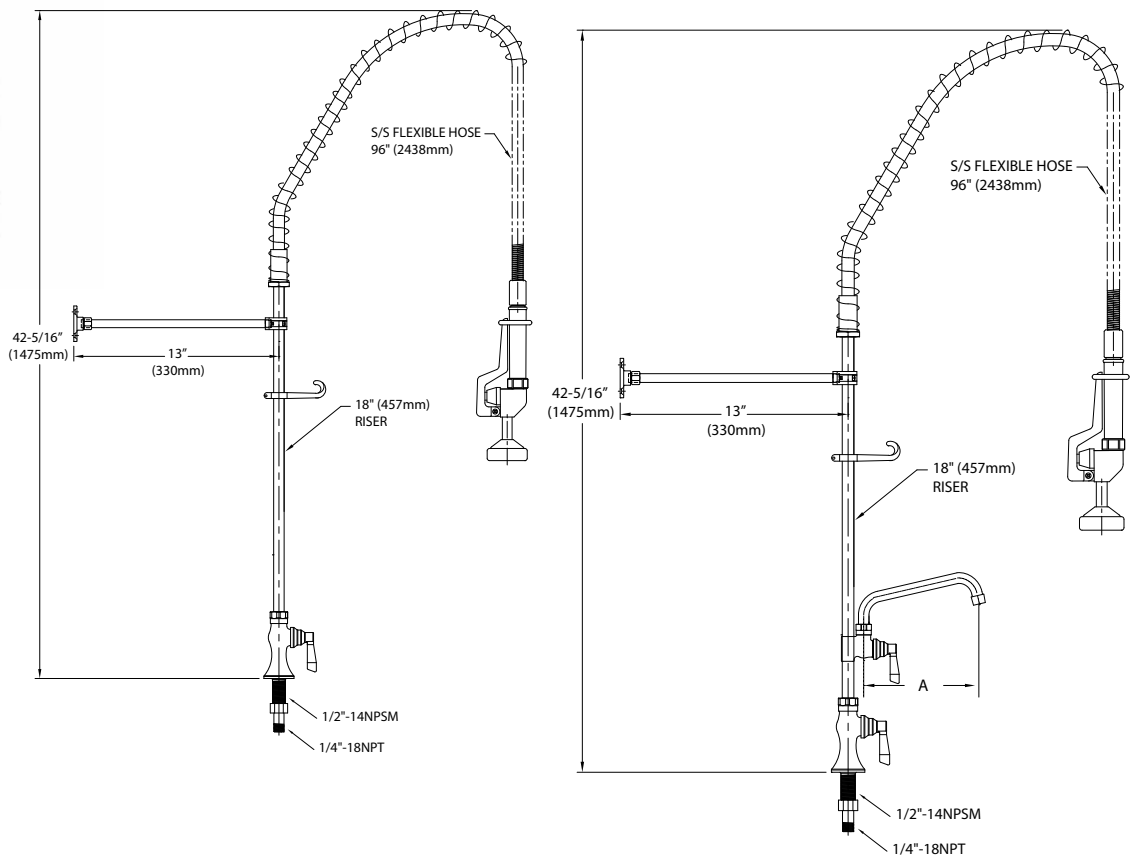
Single pantry deck mount pre-rinse unit

¼ turn full open ceramic valves with lifetime guarantee

Built-in check valves to prevent cross flow and back flow

Patented "Kool Grip" pre-rinse grip lowers surface temperature up to 30 degrees

Patented wall bracket with compression fitting



NOTE: Uses TLL-0010 Repair Kit



PRE-RINSE 8" OC SPLASH MOUNT TLL13-1100 SERIES



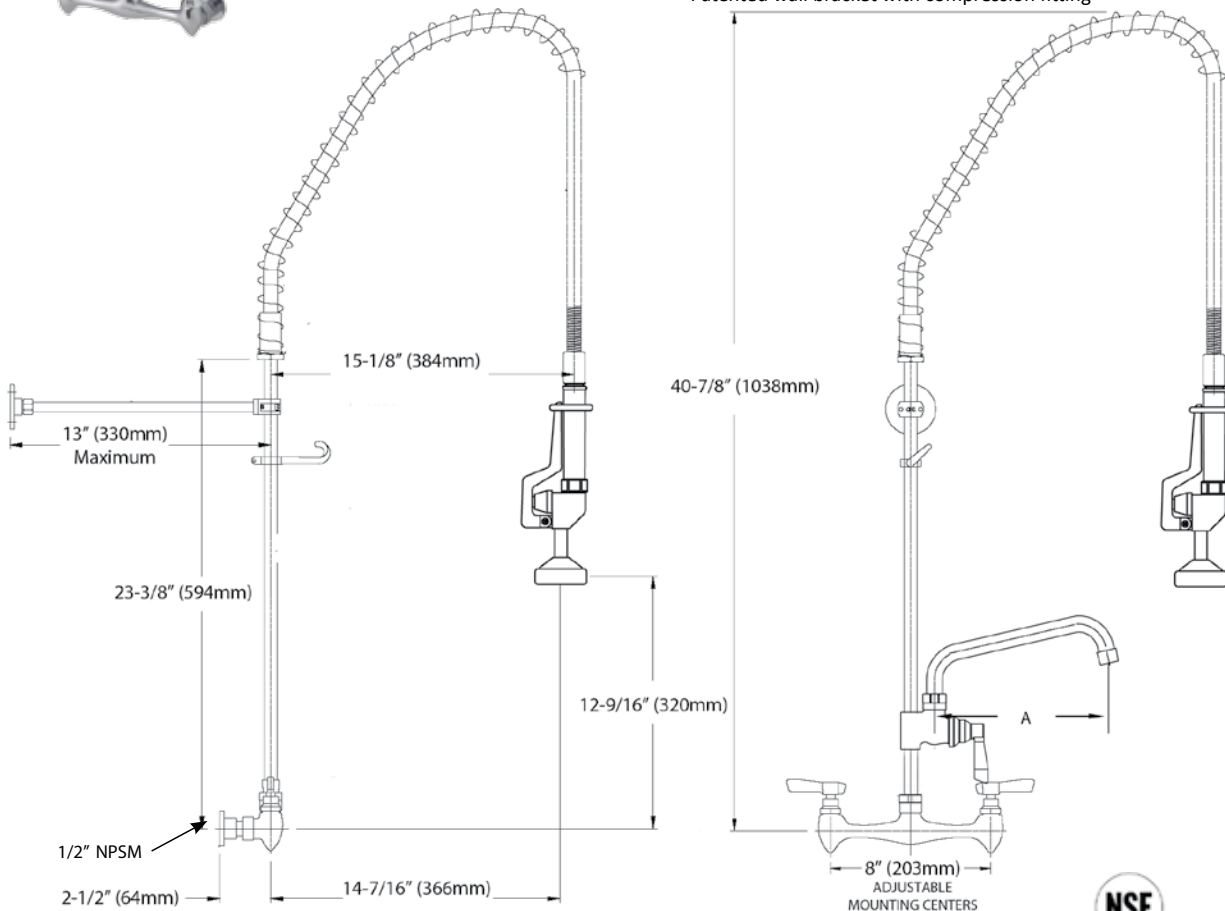
Model No	Flow Rate	Valves	Spring	Wall Bracket
TLL13-1100-BRZ	1.6GPM	Ceramic	Chrome Plated	Yes

1.2GPM spray head also available - Use TLL13-11L2-BRZ
To add optional mounting kit use TLL13-1100-BRMKZ or TLL13-11L2-BRMKZ for 1.2GPM

Model No	Flow Rate	Valves	Spring	Wall Bracket	Add-On Faucet (A)
TLL13-1100-AF1Z					6" (152mm)
TLL13-1100-AF2Z					8" (203mm)
TLL13-1100-AF3Z					10" (254mm)
TLL13-1100-AF4Z	1.6GPM	Ceramic	Chrome Plated	Yes	12" (305mm)
TLL13-1100-AF5Z					14" (356mm)
TLL13-1100-AF6Z					16" (406mm)
TLL13-1100-AF7Z					18" (457mm)

To add optional mounting kit with add-on models use TLL13-1100-AFxMKZ
Approximate shipping weight - 13 lb
Warranty - 1 year parts

- 8" OC Splash Mount Pre-Rinse unit
- ¼ Turn full open Ceramic valves with Lifetime Guarantee
- Built-In check valves to prevent cross flow and back flow
- 1.6 GPM at 60 psi water saving spray head Standard
- Patented "Kool Grip" pre-rinse grip lowers surface temperature up to 30 degrees
- Patented wall bracket with compression fitting



NOTE: Uses TLL-0010 Repair Kit





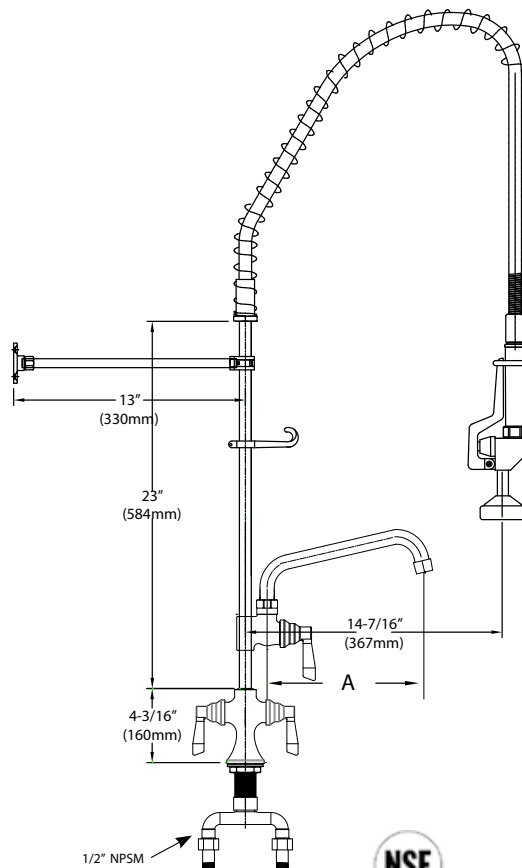
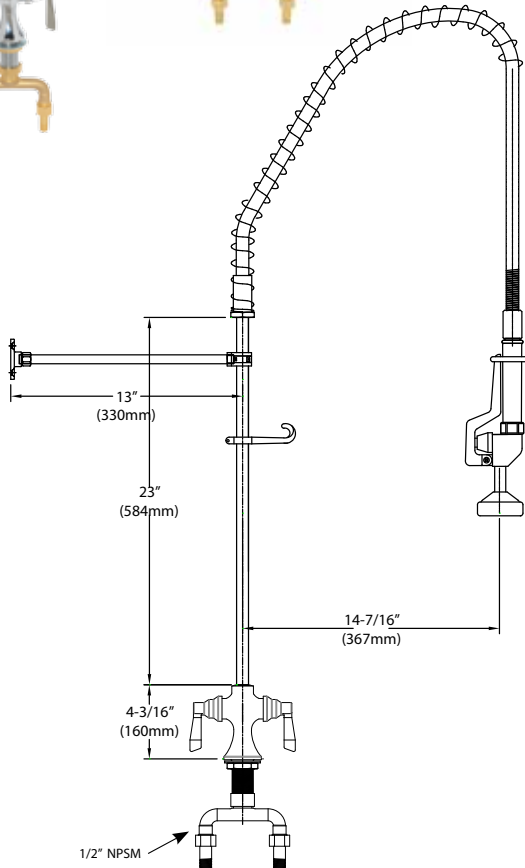
Model No	Flow Rate	Valves	Spring	Wall Bracket
TLL50-1100-BRZ	1.6GPM	Ceramic	Chrome Plated	Yes

1.2GPM spray head also available - Use TLL50-11L2-BRZ

Model No	Flow Rate	Valves	Spring	Wall Bracket	Add-On Faucet (A)
TLL50-1100-AF1Z					6" (152mm)
TLL50-1100-AF2Z					8" (203mm)
TLL50-1100-AF3Z					10" (254mm)
TLL50-1100-AF4Z	1.6GPM	Ceramic	Chrome Plated	Yes	12" (305mm)
TLL50-1100-AF5Z					14" (356mm)
TLL50-1100-AF6Z					16" (406mm)
TLL50-1100-AF7Z					18" (457mm)

Approximate shipping weight - 10 lb
Warranty - 1 year parts

Double Pantry Deck Mount Pre-Rinse unit
 ¼ Turn full open Ceramic valves with Lifetime Guarantee
 Built-In check valves to prevent cross flow and back flow
 1.6 GPM at 60 psi water saving spray head Standard
 Patented "Kool Grip" pre-rinse grip lowers surface temperature up to 30 degrees
 Patented wall bracket with compression fitting



NOTE: Uses TLL-0010 Repair Kit



PRE-RINSE 8" OC ELEVATED DECK MOUNT TLL61-1100 SERIES



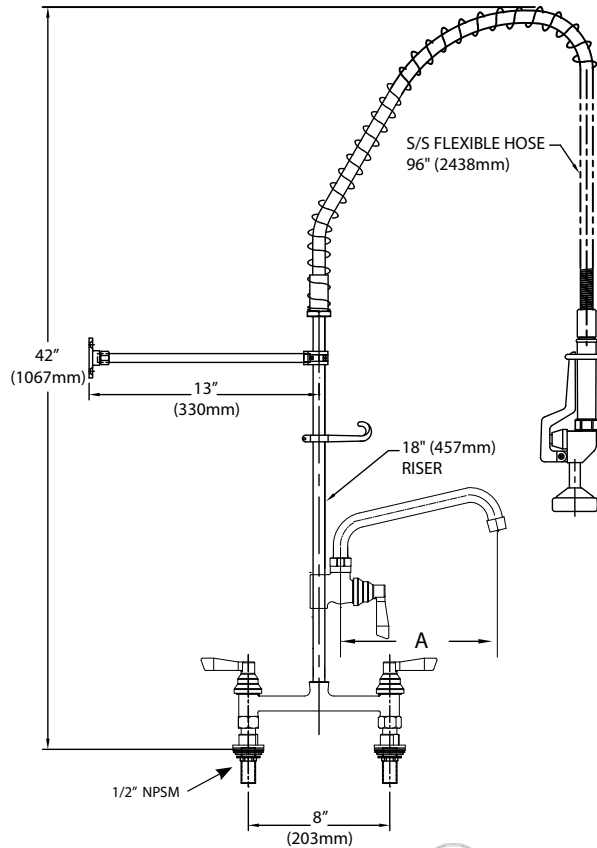
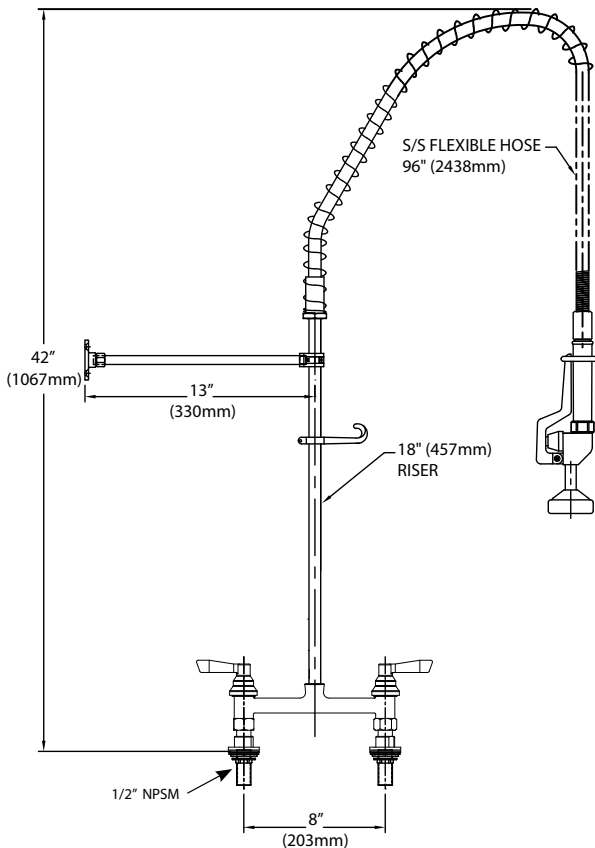
Model No	Flow Rate	Valves	Spring	Wall Bracket
TLL61-1100-BRZ	1.6GPM	Ceramic	Chrome Plated	Yes

1.2GPM spray head also available - Use TLL61-11L2-BRZ
To add optional mounting kit use TLL61-1100-BRMKZ or
TLL61-11L2-BRMKZ for 1.2GPM

Model No	Flow Rate	Valves	Spring	Wall Bracket	Add-On Faucet (A)
TLL61-1100-AF1Z					6" (152mm)
TLL61-1100-AF2Z					8" (203mm)
TLL61-1100-AF3Z					10" (254mm)
TLL61-1100-AF4Z	1.6GPM	Ceramic	Chrome Plated	Yes	12" (305mm)
TLL61-1100-AF5Z					14" (356mm)
TLL61-1100-AF6Z					16" (406mm)
TLL61-1100-AF7Z					18" (457mm)

To add optional mounting kit with add-on models use TLL61-1100-AFxMKZ
Approximate shipping weight - 13 lb
Warranty - 1 year parts

- 8" OC Elevated Deck Mount Pre-Rinse unit
- ¼ Turn full open Ceramic valves with Lifetime Guarantee
- Built-In check valves to prevent cross flow and back flow
- 1.6 GPM at 60 psi water saving spray head Standard
- Patented "Kool Grip" pre-rinse grip lowers surface temperature up to 30 degrees
- Patented wall bracket with compression fitting



NOTE: Uses TLL-0010 Repair Kit





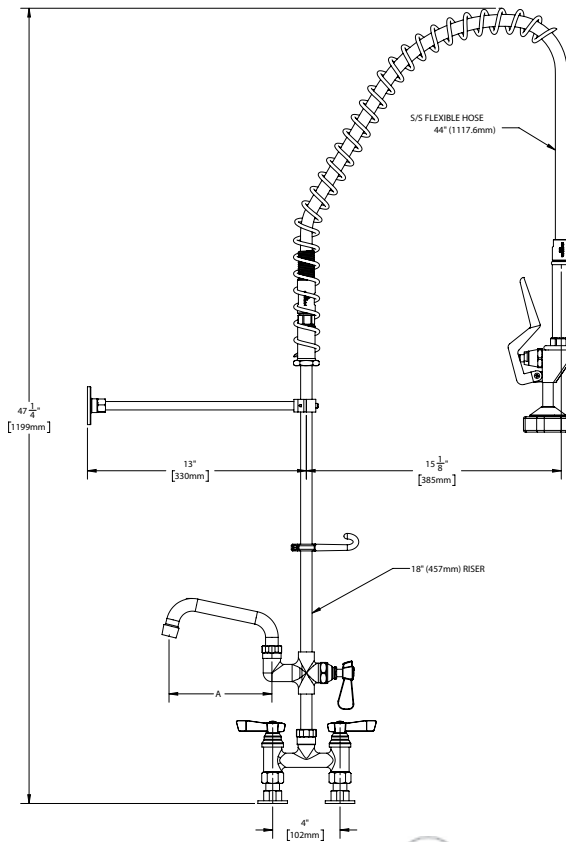
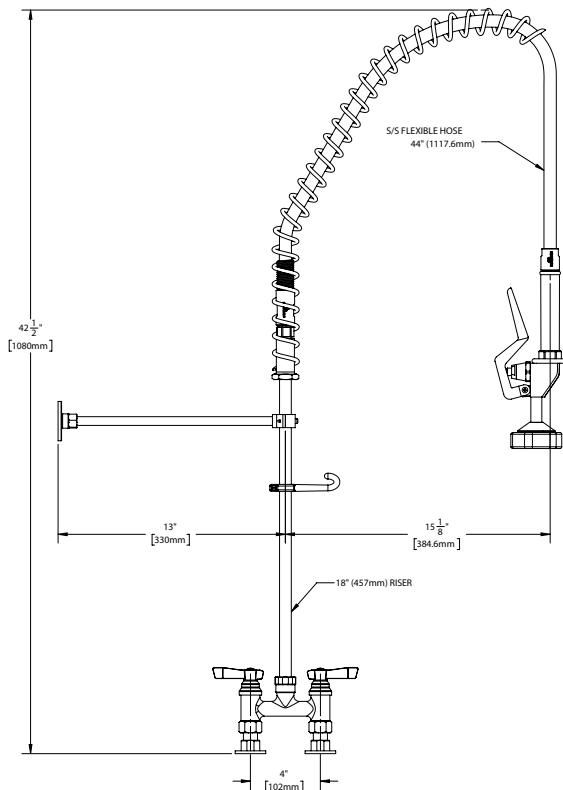
Model No	Flow Rate	Valves	Spring	Wall Bracket
TLL57-1100-BRZ	1.6GPM	Ceramic	Chrome Plated	Yes

1.2GPM spray head also available - Use TLL57-11L2-BRZ
To add optional mounting kit use TLL57-1100-BRMKZ or TLL57-11L2-BRMKZ for 1.2GPM

Model No	Flow Rate	Valves	Spring	Wall Bracket	Add-On Faucet (A)
TLL57-1100-AF1Z					6" (152mm)
TLL57-1100-AF2Z					8" (203mm)
TLL57-1100-AF3Z					10" (254mm)
TLL57-1100-AF4Z	1.6GPM	Ceramic	Chrome Plated	Yes	12" (305mm)
TLL57-1100-AF5Z					14" (356mm)
TLL57-1100-AF6Z					16" (406mm)
TLL57-1100-AF7Z					18" (457mm)

To add optional mounting kit with add-on models use TLL57-1100-AFxmKZ
Approximate shipping weight - 10 lb
Warranty - 1 year parts

- 4"OC Elevated Deck Mount Pre-Rinse unit
- ¼ Turn full open Ceramic valves with Lifetime Guarantee
- Built-In check valves to prevent cross flow and back flow
- 1.6 GPM at 60 psi water saving spray head Standard
- Patented "Kool Grip" pre-rinse grip lowers surface temperature up to 30 degrees
- Patented wall bracket with compression fitting



NOTE: Uses TLL-0010 Repair Kit



PRE-RINSE DECK MOUNT SINGLE PANTRY TLL20-1100 SERIES



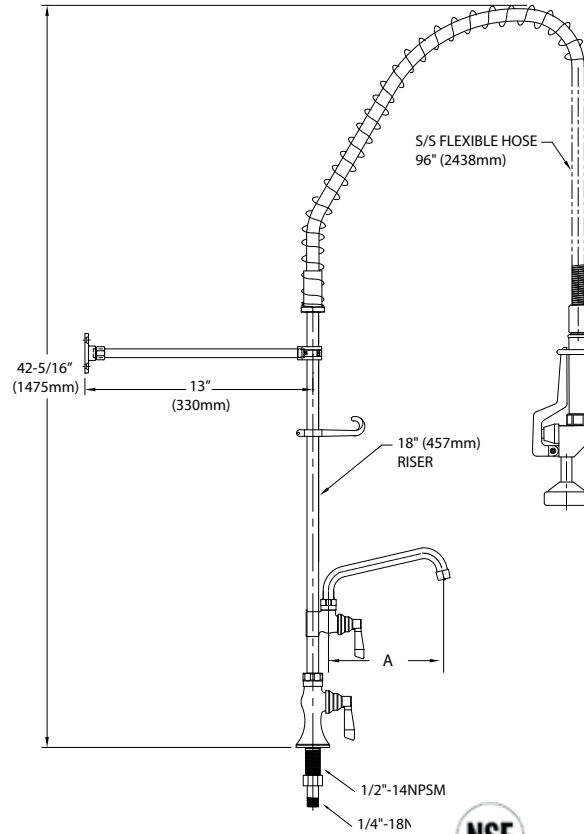
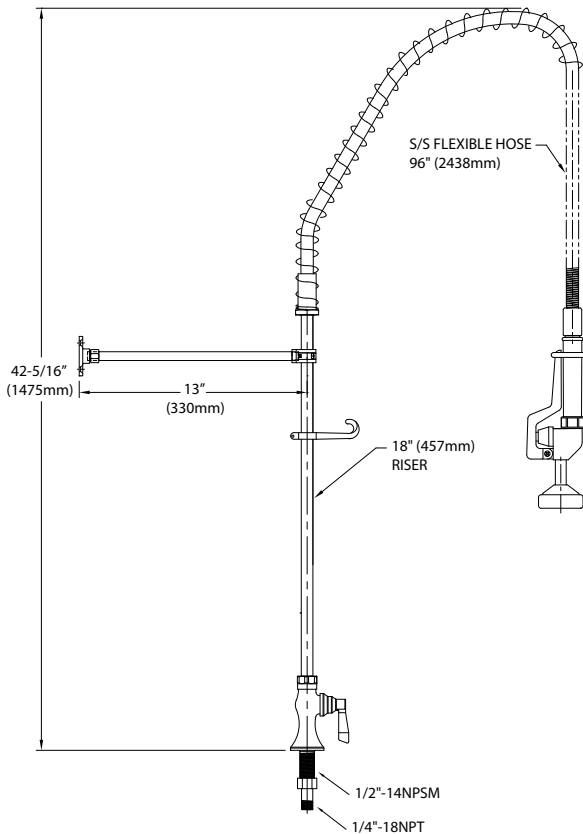
Model No	Flow Rate	Valves	Spring	Wall Bracket
TLL20-1100-BRZ	1.6GPM	Ceramic	Chrome Plated	Yes

1.2GPM spray head also available - Use TLL20-11L2-BRZ

Model No	Flow Rate	Valves	Spring	Wall Bracket	Add-On Faucet (A)
TLL20-1100-AF1Z					6" (152mm)
TLL20-1100-AF2Z					8" (203mm)
TLL20-1100-AF3Z					10" (254mm)
TLL20-1100-AF4Z	1.6GPM	Ceramic	Chrome Plated	Yes	12" (305mm)
TLL20-1100-AF5Z					14" (356mm)
TLL20-1100-AF6Z					16" (406mm)
TLL20-1100-AF7Z					18" (457mm)

Approximate shipping weight - 10 lb
Warranty - 1 year parts

- Single pantry deck mount pre-rinse unit
- ¼ turn full open ceramic valves with lifetime guarantee
- Built-in check valves to prevent cross flow and back flow
- 1.6 GPM at 60 psi water saving spray head Standard
- Patented "Kool Grip" pre-rinse grip lowers surface temperature up to 30 degrees
- Patented wall bracket with compression fitting



NOTE: Uses TLL-0010 Repair Kit





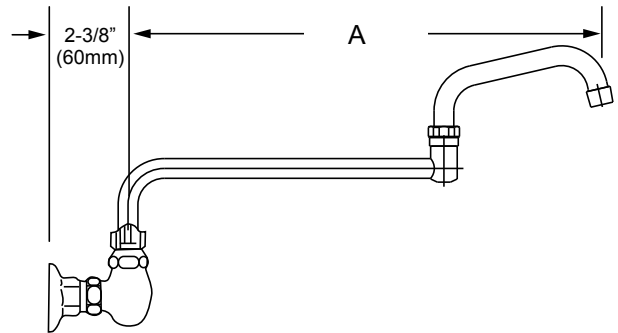
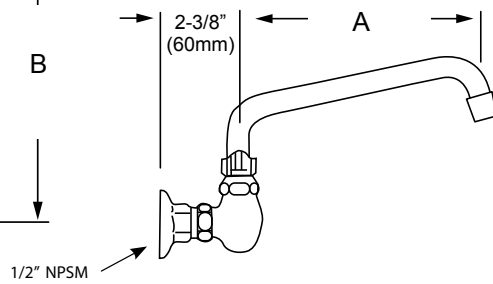
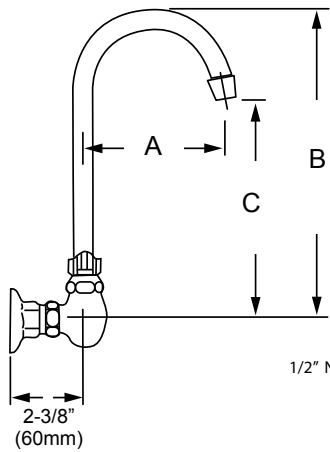
TLL13-810x-SE1Z Series



TLL13-81xx-SE1Z Series



TLL13-8118-SE1Z Series



Model No.	Spout	Flow Rate	Handles	Valves	A	B	C
TLL13-8100-SE1Z	Adjustable Gooseneck	2.2GPM	Standard Lever	Ceramic	3-1/2" (89mm)	8-1/4" (210mm)	5-1/2" (140mm)
TLL13-8101-SE1Z					8-1/2" (216mm)	12" (305mm)	6-1/2" (165mm)
TLL13-8102-SE1Z					6" (152mm)	9-1/4" (235mm)	5-1/4" (133mm)
TLL13-8106-SE1Z					6" (152mm)		
TLL13-8108-SE1Z					8" (203mm)		
TLL13-8110-SE1Z	Tubular Swing	2.2GPM	Standard Lever	Ceramic	10" (254mm)	—	—
TLL13-8112-SE1Z					12" (305mm)		
TLL13-8114-SE1Z					14" (356mm)		
TLL13-8116-SE1Z					16" (406mm)		
TLL13-8118-SE1Z					18" (457mm)		
TLL13-8118-SE1Z	Double Jointed Tubular Swing	2.2GPM	Standard Lever	Ceramic	18" (457mm)	—	—

To add optional mounting kit use TLL13-81xx-SE1MKZ
To add 4" wrist blade handles use TLL13-81xx-SE4Z

8" OC Splash Mount Faucet

¼ turn full open ceramic valves with lifetime guarantee

Built-in check valves to prevent cross flow and back flow

Stainless steel spouts with double O-ring seal

2.2 gpm aerator standard, others available on application

NOTE: Uses TLL-0010 Repair Kit



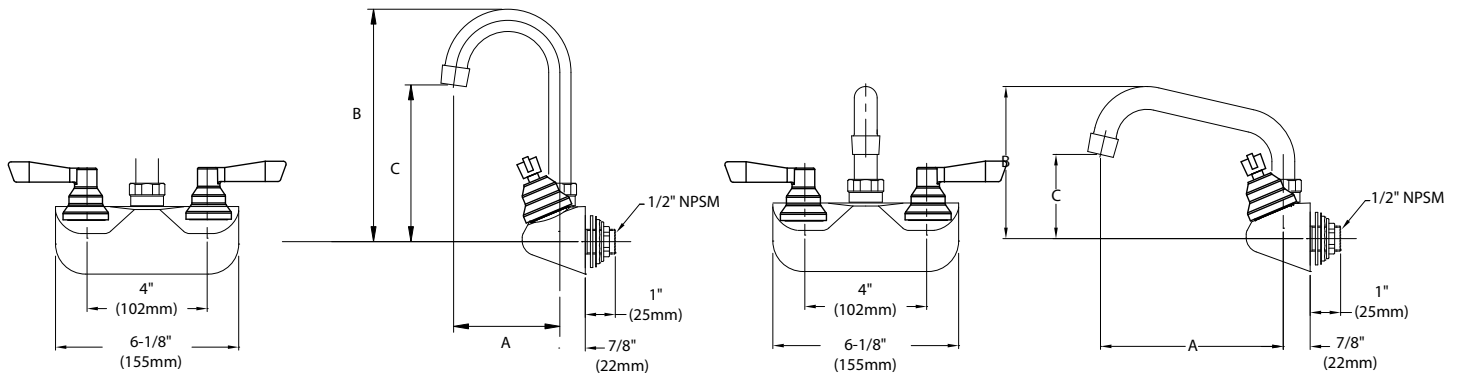
FAUCET, SPLASH MOUNT, 4" O.C. TLL15-41xx-SE1Z SERIES



TLL15-410x-SE1Z Series



TLL15-41xx-SE1Z Series



Model No.	Spout	Flow Rate	Handles	Valves	A	B	C
TLL15-4100-SE1Z					3-1/2" (89mm)	8-1/4" (210mm)	5-1/2" (140mm)
TLL15-4101-SE1Z	Adjustable Gooseneck	2.2GPM	Standard Lever	Ceramic	8-1/2" (216mm)	12" (305mm)	6-1/2" (165mm)
TLL15-4102-SE1Z					6" (152mm)	9-1/4" (235mm)	5-1/4" (133mm)
TLL15-4106-SE1Z					6" (152mm)	5" (127mm)	2-3/4" (70mm)
TLL15-4108-SE1Z					8" (203mm)	5-7/16" (139mm)	3-1/4" (82mm)
TLL15-4110-SE1Z	Tubular Swing	2.2GPM	Standard Lever	Ceramic	10" (254mm)	5-15/16" (150mm)	3-11/16" (94mm)
TLL15-4112-SE1Z					12" (305mm)	6-3/8" (162mm)	4-1/8" (105mm)
TLL15-4114-SE1Z					14" (356mm)	6-13/16" (174mm)	4-5/8" (117mm)
TLL15-4116-SE1Z					16" (406mm)	7-5/16" (185mm)	5-1/16" (129mm)

To add optional mounting kit use TLL15-41xx-SE1MKZ
To add 4" wrist blade handles use TLL15-41xx-SE4Z

- 4" OC deck mount faucet
- ¼ turn full open ceramic valves with lifetime guarantee
- Built-in check valves to prevent cross flow and back flow
- Stainless steel spouts with double O-ring Seal
- 2.2 gpm aerator standard, others available on application

NOTE: Uses TLL-0010 Repair Kit





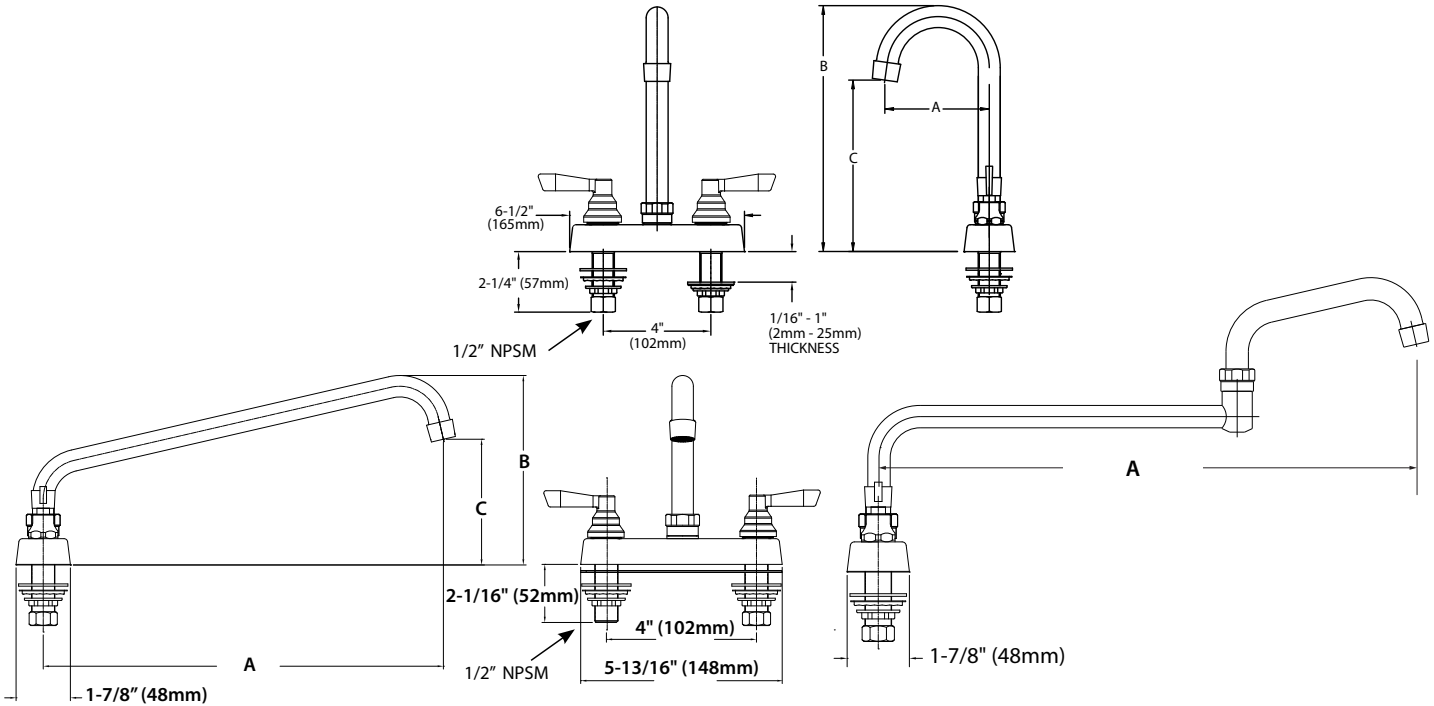
TLL11-410x-SE1Z Series



TLL11-41xx-SEZ1 Series



TLL11-41xx-SE1Z Series



Model No.	Spout	Flow Rate	Handles	Valves	A	B	C
TLL11-4100-SE1Z					3-1/2" (89mm)	7-1/2" (191mm)	4-3/4" (121mm)
TLL11-4101-SE1Z	Adjustable Gooseneck	2.2GPM	Standard Lever	Ceramic	8-1/2" (216mm)	11" (279mm)	4-3/4" (121mm)
TLL11-4102-SE1Z					6" (152mm)	8-1/2" (216mm)	4-1/4" (108mm)
TLL11-4106-SE1Z					6" (152mm)	4-7/8" (124mm)	2-5/8" (67mm)
TLL11-4108-SE1Z					8" (203mm)	5-3/8" (136mm)	3-1/8" (79mm)
TLL11-4110-SE1Z	Tubular Swing	2.2GPM	Standard Lever	Ceramic	10" (254mm)	5-13/16" (148mm)	3-9/16" (90mm)
TLL11-4112-SE1Z					12" (305mm)	6-1/4" (159mm)	4" (102mm)
TLL11-4114-SE1Z					14" (356mm)	5-5/8" (168mm)	4-7/16" (112mm)
TLL11-4116-SE1Z					16" (406mm)	7-1/16" (180mm)	4-7/8" (123mm)
TLL11-4118-SE1Z	Double Jointed Tubular Swing	2.2GPM	Standard Lever	Ceramic	18" (457mm)	—	—
TLL11-4124-SE1Z					24" (609mm)	—	—

To add 4" wrist blade handles use TLL11-41xx-SE4Z

4" OC deck mount faucet

¼ turn full open ceramic valves with lifetime guarantee

Built-in check valves to prevent cross flow and back flow

Stainless steel spouts with double O-ring Seal

2.2 gpm aerator standard, others available on application

NOTE: Uses TLL-0010 Repair Kit



FAUCET, DECK MOUNT, 8" O.C. TLL11-81xx-SE1Z SERIES



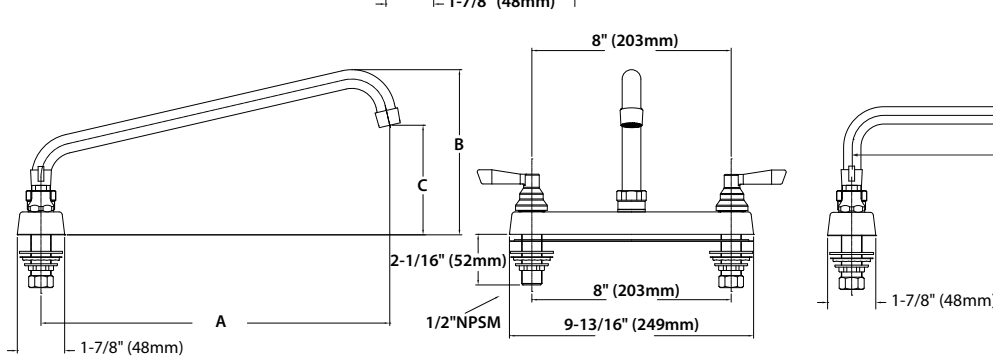
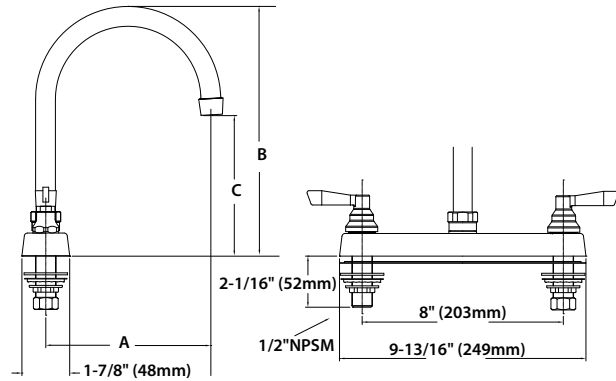
TLL11-810x-SE1Z Series



TLL11-81xx-SE1Z Series



TLL11-81xx-SE1Z Series



Model No.	Spout	Flow Rate	Handles	Valves	A	B	C
TLL11-8100-SE1Z					3-1/2" (89mm)	7-1/2" (191mm)	4-3/4" (121mm)
TLL11-8101-SE1Z	Adjustable Gooseneck	2.2GPM	Standard Lever	Ceramic	8-1/2" (216mm)	11" (279mm)	4-3/4" (121mm)
TLL11-8102-SE1Z					6" (152mm)	8-1/2" (216mm)	4-1/4" (108mm)
TLL11-8106-SE1Z					6" (152mm)	4-7/8" (124mm)	2-5/8" (67mm)
TLL11-8108-SE1Z					8" (203mm)	5-3/8" (136mm)	3-1/8" (79mm)
TLL11-8110-SE1Z	Tubular Swing	2.2GPM	Standard Lever	Ceramic	10" (254mm)	5-13/16" (148mm)	3-9/16" (90mm)
TLL11-8112-SE1Z					12" (305mm)	6-1/4" (159mm)	4" (102mm)
TLL11-8114-SE1Z					14" (356mm)	5-5/8" (168mm)	4-7/16" (112mm)
TLL11-8118-SE1Z	Double Jointed Tubular Swing	2.2GPM	Standard Lever	Ceramic	18" (457mm)	—	—

To add 4" wrist blade handles use TLL11-81xx-SE4Z

8" OC deck mount faucet

¼ turn full open ceramic valves with lifetime guarantee

Built-in check valves to prevent cross flow and back flow

Stainless steel spouts with double O-ring Seal

2.2 gpm aerator standard, others available on application

NOTE: Uses TLL-0010 Repair Kit

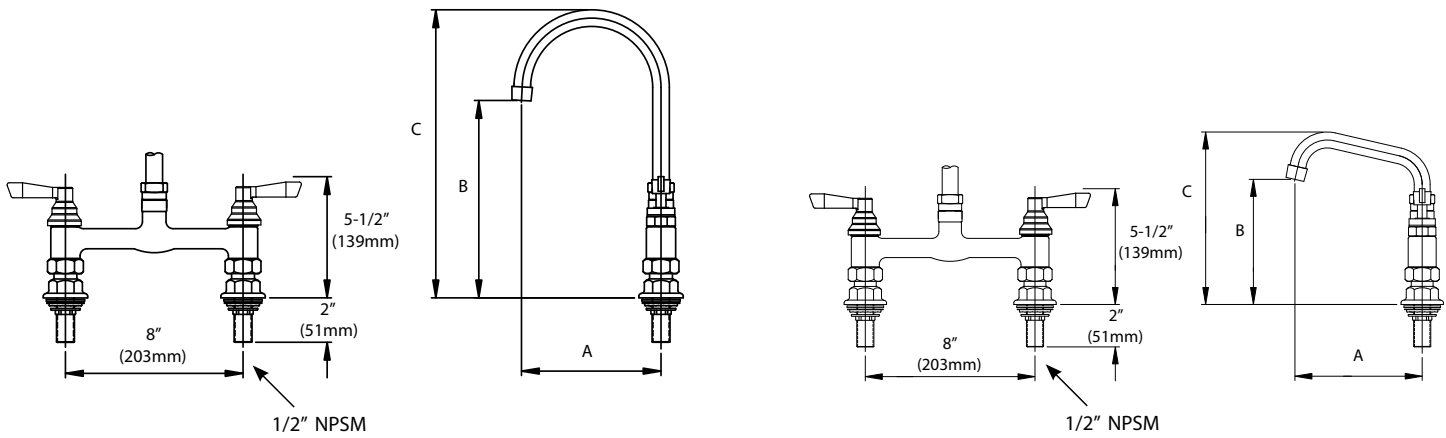




TLL61-810x-SE1Z Series



TLL61-81xx-SE1Z Series



Model No.	Spout	Flow Rate	Handles	Valves	A	B	C
TLL61-8100-SE1Z	Adjustable Gooseneck	2.2GPM	Standard Lever	Ceramic	3-1/2" (89mm)	8-1/4" (210mm)	10-5/8" (270mm)
TLL61-8101-SE1Z					8-1/2" (216mm)	8-1/2" (216mm)	14-3/8" (365mm)
TLL61-8102-SE1Z					6" (152mm)	7-7/8" (200mm)	11-5/8" (295mm)
TLL61-8106-SE1Z	Tubular Swing	2.2GPM	Standard Lever	Ceramic	6" (152mm)	5-3/4" (146mm)	8" (203mm)
TLL61-8108-SE1Z					8" (203mm)	6-1/4" (159mm)	8-1/2" (215mm)
TLL61-8110-SE1Z					10" (254mm)	6-11/16" (169mm)	8-7/8" (226mm)
TLL61-8112-SE1Z					12" (305mm)	7-3/16" (183mm)	9-1/4" (235mm)
TLL61-8114-SE1Z					14" (356mm)	7-9/16" (193mm)	9-13/16" (249mm)
TLL61-8116-SE1Z					16" (406mm)	8-1/16" (204mm)	10-1/4" (261mm)

To add optional mounting kit use TLL61-81xx-SE1MKZ
To add 4" wrist blade handles use TLL61-81xx-SE4Z

- 8" OC deck mount faucet
- ¼ turn full open ceramic valves with lifetime guarantee
- Built-in check valves to prevent cross flow and back flow
- Stainless steel spouts with double O-ring Seal
- 2.2 gpm aerator standard, others available on application

NOTE: Uses TLL-0010 Repair Kit



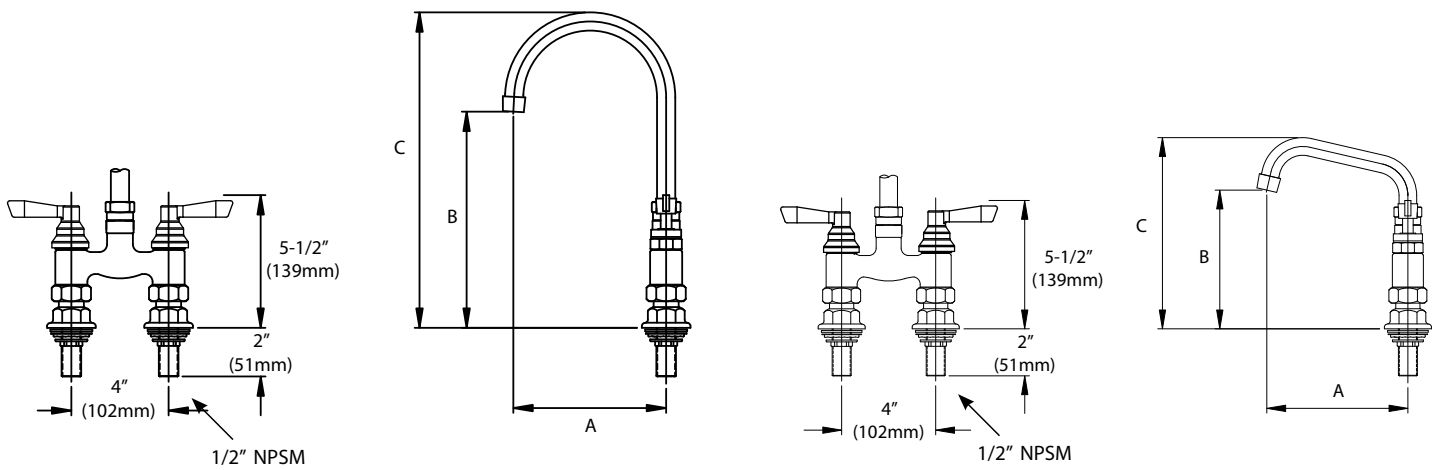
FAUCET, DECK MOUNT, ELEVATED BRIDGE, 4" O.C. TLL57-41xx-SE1Z SERIES



TLL57-410x-SE1Z Series



TLL57-41xx-SE1Z Series



Model No.	Spout	Flow Rate	Handles	Valves	A	B	C
TLL57-4100-SE1Z					3-1/2" (89mm)	8-3/8" (213mm)	10-3/4" (273mm)
TLL57-4101-SE1Z	Adjustable Gooseneck	2.2GPM	Standard Lever	Ceramic	8-1/2" (216mm)	8-5/8" (219mm)	14-1/4" (362mm)
TLL57-4102-SE1Z					6" (152mm)	7-3/4" (197mm)	11-5/8" (295mm)
TLL57-4106-SE1Z					6" (152mm)	5-7/8" (150mm)	8-1/8" (207mm)
TLL57-4108-SE1Z					8" (203mm)	6-3/8" (162mm)	8-5/8" (219mm)
TLL57-4110-SE1Z					10" (254mm)	6-13/16" (173mm)	9-1/16" (230mm)
TLL57-4112-SE1Z	Tubular Swing	2.2GPM	Standard Lever	Ceramic	12" (305mm)	7-5/16" (185mm)	9-9/16" (243mm)
TLL57-4114-SE1Z					14" (356mm)	7-3/4" (197mm)	10" (254mm)
TLL57-4116-SE1Z					16" (406mm)	8-3/16" (208mm)	10-7/16" (265mm)

To add optional mounting kit use TLL57-41xx-SE1MKZ
To add 4" wrist blade handles use TLL57-41xx-SE4Z

- 4" OC deck mount elevated bridge faucet
- ¼ turn full open ceramic valves with lifetime guarantee
- Built-in check valves to prevent cross flow and back flow
- Stainless steel spouts with double O-ring Seal
- 2.2 gpm aerator standard, others available on application

NOTE: Uses TLL-0010 Repair Kit

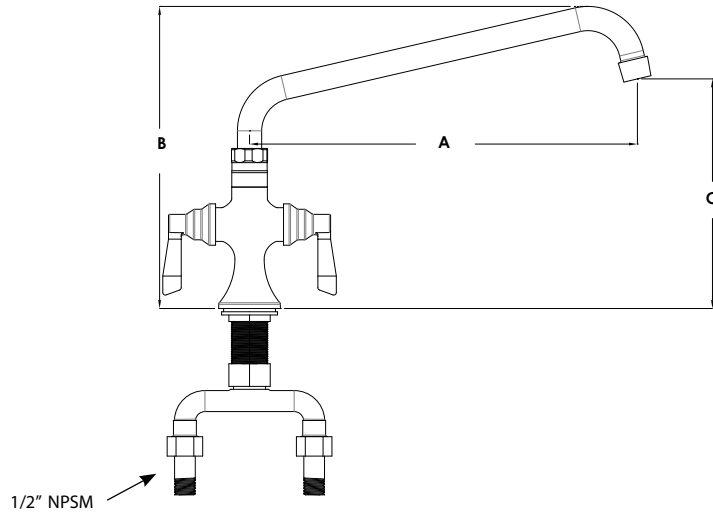
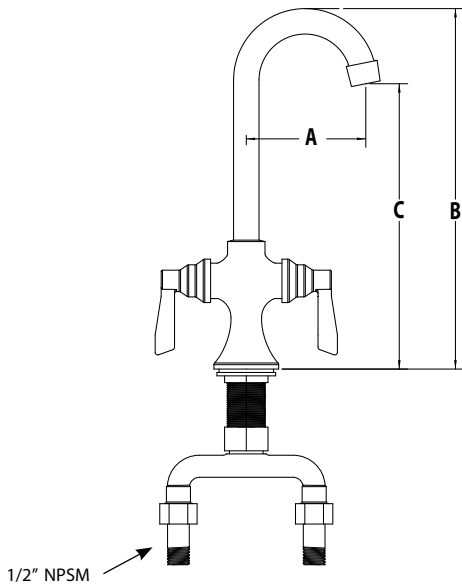




TLL50-910x-SE1Z Series



TLL50-91xx-SE1Z Series



Model No.	Spout	Flow Rate	Handles	Valves	A	B	C
TLL50-9100-SE1Z	Adjustable Gooseneck	2.2GPM	Standard Lever	Ceramic	3-1/2" (89mm)	10-5/8" (270mm)	8-3/8" (213mm)
TLL50-9101-SE1Z					8-1/2" (216mm)	14-3/8" (365mm)	8-5/8" (219mm)
TLL50-9102-SE1Z					6" (152mm)	11-3/4" (289mm)	8" (203mm)
TLL50-9106-SE1Z	Tubular Swing	2.2GPM	Standard Lever	Ceramic	6" (152mm)	8-1/4" (210mm)	6-1/8" (156mm)
TLL50-9108-SE1Z					8" (203mm)	8-3/4" (222mm)	6-3/8" (162mm)
TLL50-9110-SE1Z					10" (254mm)	9" (229mm)	6-7/8" (175mm)
TLL50-9112-SE1Z					12" (305mm)	9-1/2" (241mm)	7-1/4" (184mm)
TLL50-9114-SE1Z					14" (356mm)	9-3/4" (248mm)	7-1/2" (191mm)

To add 4" Wrist Blade Handles use TLL50-91xx-SE4Z

Double pantry deck mount faucet

¼ turn full open ceramic valves with lifetime guarantee

Built-in check valves to prevent cross flow and back flow

Stainless steel spouts with double O-ring Seal

2.2 gpm aerator standard, others available on application

NOTE: Uses TLL-0010 Repair Kit



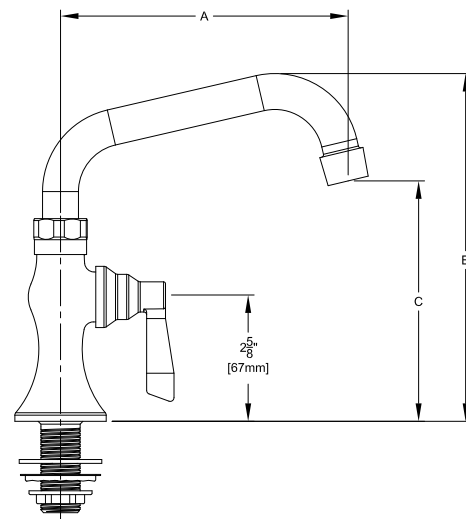
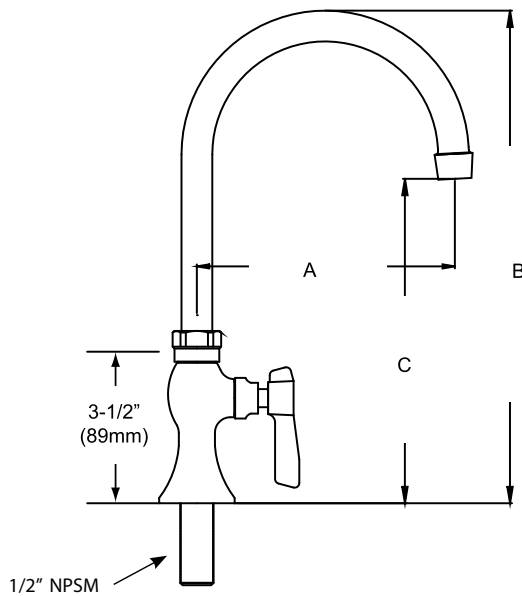
FAUCET, DECK MOUNT, SINGLE PANTRY TLL20-91xx-SE1Z SERIES



TLL20-910x-SE1Z Series



TLL20-91xx-SE1Z Series



Model No.	Spout	Flow Rate	Handles	Valves	A	B	C
TLL20-9100-SE1Z					3-1/2" (89mm)	7-1/2" (191mm)	4-3/4" (121mm)
TLL20-9101-SE1Z	Adjustable Gooseneck	2.2GPM	Standard Lever	Ceramic	8-1/2" (216mm)	11" (279mm)	4-3/4" (121mm)
TLL20-9102-SE1Z					6" (152mm)	8-1/2" (216mm)	4-1/4" (108mm)
TLL20-9106-SE1Z					6" (152mm)	7-1/16" (180mm)	5" (127mm)
TLL20-9108-SE1Z	Tubular Swing	2.2GPM	Standard Lever	Ceramic	8" (203mm)	7-1/2" (191mm)	5-1/4" (134mm)
TLL20-9110-SE1Z					10" (254mm)	7-15/16" (202mm)	5-11/16" (145mm)
TLL20-9112-SE1Z					12" (305mm)	8-3/8" (213mm)	6-1/8" (155mm)

To add 4" wrist blade handles use TLL20-91xx-SE4Z

- Single pantry deck mount faucet
- ¼ turn full open ceramic valves with lifetime guarantee
- Built-in check valves to prevent cross flow and back flow
- Stainless steel spouts with double O-ring Seal
- 2.2 gpm aerator standard, others available on application

NOTE: Uses TLL-0010 Repair Kit

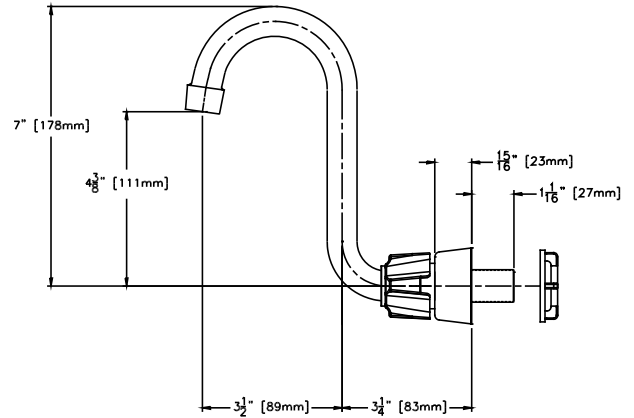
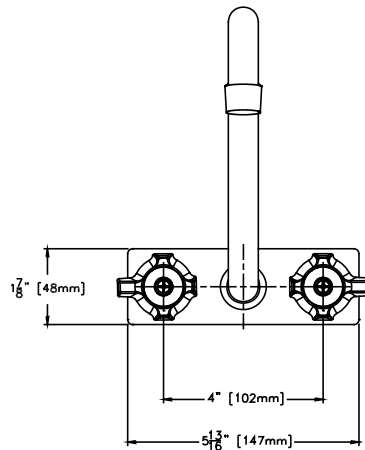
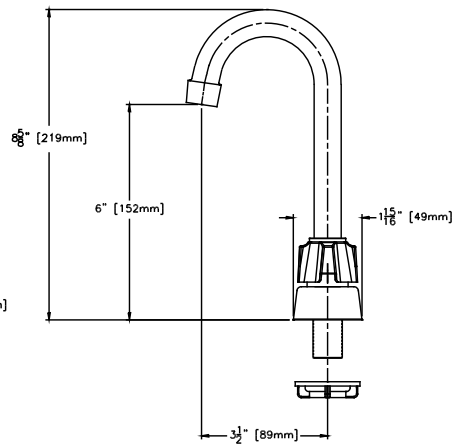
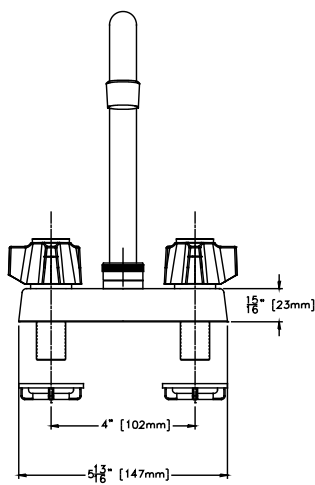




KHS11-4000-Z Series



KHS15-4000-Z Series



Model No.	Spout	Flow Rate	Handles	Valves
KHS11-4000-Z	Adjustable	2.0GPM	Knob	Compression
KHS15-4000-Z	Gooseneck			

To add 4" wrist blade handles use KHS15-4000-SE4 or KHS11-4000-SE4

4" OC Deck or Splash Mount Hybrid Faucet

High Impact Polymer Body with Brass Over mold

¼ Turn full open Stainless Steel valves

2.0 gpm aerator standard, others available on application

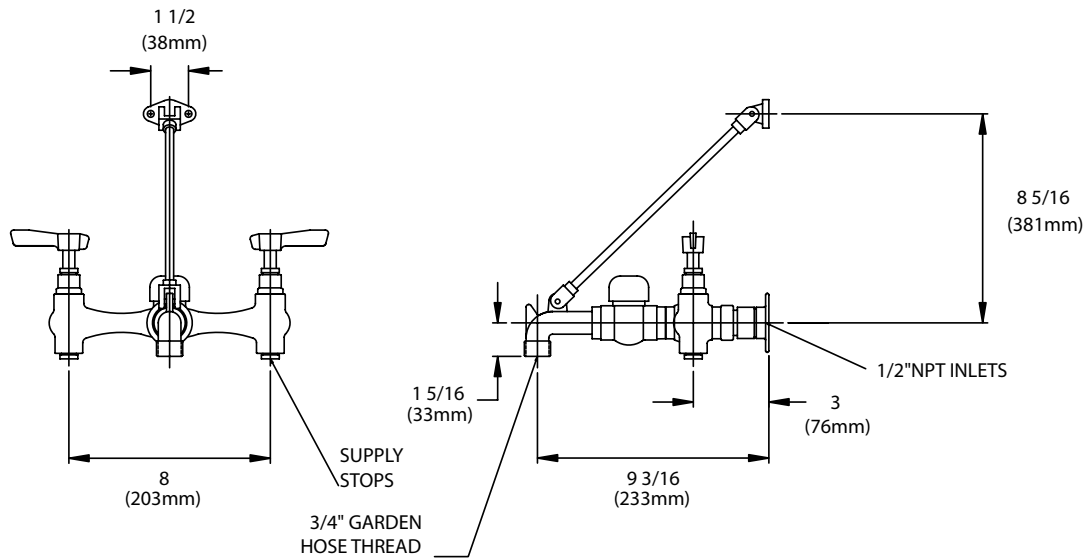
NOTE: Uses KHS-0010 Repair Kit and optional KHS-0001 wrist blade handles

COMPLIES WITH:
THE FEDERAL "REDUCTION OF LEAD
IN DRINKING WATER ACT" –
2011 – US SENATE BILL NO. S.3874

FAUCET, SPLASH MOUNT SERVICE SINK KL78-8106-BR1Z



KL78-8106-BR1Z



Model No.	Spout	Handles	Valves	Finish	Hook
KL78-8106-BR1Z	Threaded Cast	Standard Lever	Compression with Built-In Check Valve	Rough Chrome	Yes

- Rough chrome finish
- Garden hose thread and pail hook
- Top support wall bracket
- Vacuum breaker spout
- Built in supply stops
- In-line check valves
- 1-1/8" (29mm) holes for backsplash are recommended to accommodate 1/2" supply nipples.
- 1/2" NPSM Female Inlets

NOTE: 3" (76mm) clearance from wall to center of faucet
9-3/16" (233mm) clearance from wall to center of outlet





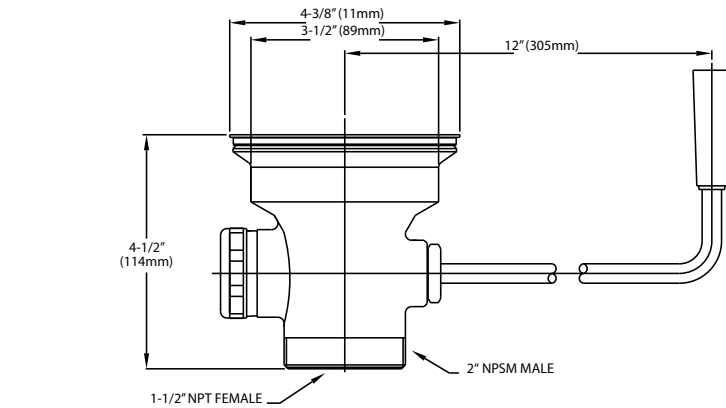
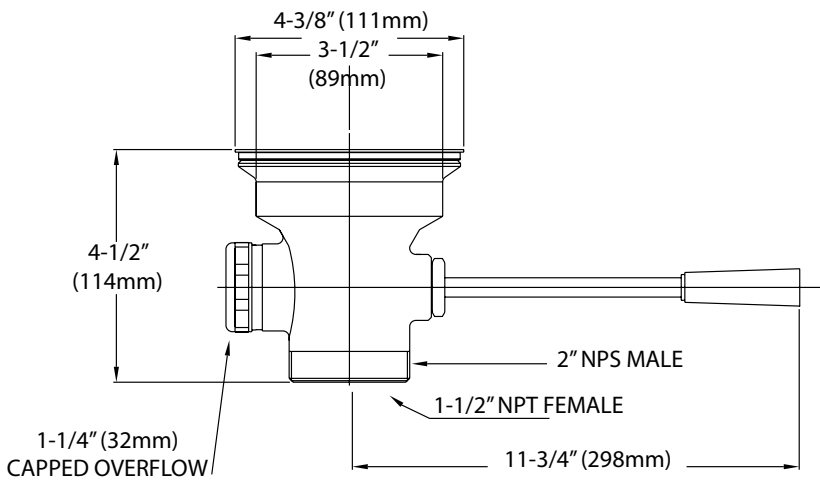
D15-751x Series



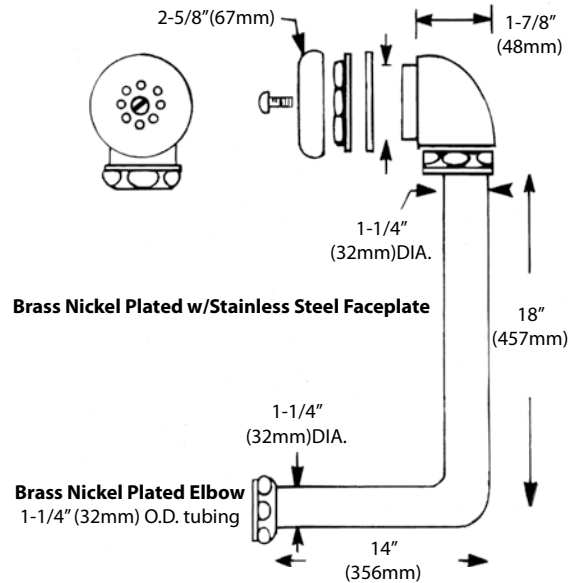
D55-751x Series



D55-7515



**Overflow Assembly
E50-1000**



Brass Nickel Plated w/Stainless Steel Faceplate

**Brass Nickel Plated Elbow
1-1/4" (32mm) O.D. tubing**



**Lever/Twist Drain Repair Kit
D10-0010-Z**



**Lever/Twist Drain Tool
D10-T001**

Model No.	Drain Types	Sink Opening Dia.	NPS	Face Flange Dia.	Strainer Type
D15-7510-Z	Capped Overflow				
D15-7510-R	2" (F) x 1-1/2" (M) Reducer				
D15-7515-IB	With Overflow Assembly				
D55-7510-Z	Capped Overflow	3-1/2" (89mm)	2" (51mm)	4-3/8" (111mm)	Flat
D55-7510-R	2" (F) x 1-1/2" (M) Reducer				
D55-7515-IB	With Overflow Assembly				

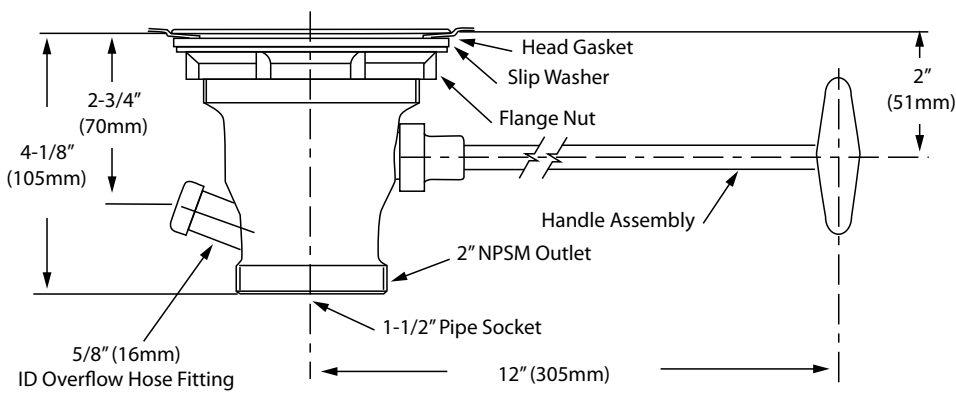


**Brass 2" NPS Female to
1-1/2" NPT Male Reducer
E30-7744**

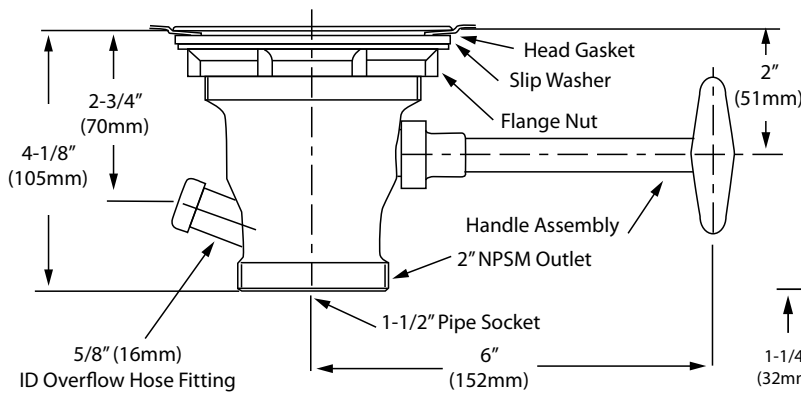
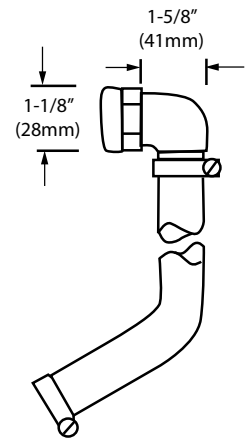
For additional technical information visit our website for specification sheets.



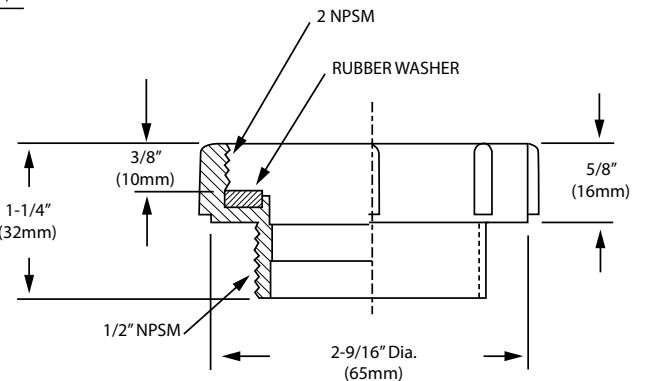
SINK MATE



Overflow Assembly
E52-1000



Reducer Assembly
DPL-Y006



Model No.	Sink Opening Dia.	NPS	Handle Length	Strainer Type
DPL-8000	3-1/2" (89mm)	2" (51mm)	12" (305mm)	Beehive Crumb Cup
DPL-8000-S	3-1/2" (89mm)	2" (51mm)	6" (152mm)	Beehive Crumb Cup

For additional technical information visit our website for specification sheets.

All TOP-LINE faucet and pre-rinse bodies come with 1/4 turn full open ceramic valves with lifetime guarantee and built-in check valves.



8" OC Wall Mount Faucet Body

Model No.	Description
TLL13-Y001-CCVZ	Ceramic Valves



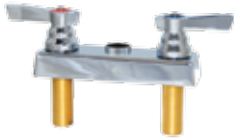
4" OC Wall Mount Faucet Body

Model No.	Description
TLL15-Y001 CCVZ	Ceramic Valves



Single Wall Mount Faucet Body

Model No.	Description
TLL70-Y001-CCVZ	Ceramic Valves



4" OC Deck Mount Faucet Body

Model No.	Description
TLL11-Y001-CCVZ	Ceramic Valves



8" OC Deck Mount Faucet Body

Model No.	Description
TLL11-Y003-CCVZ	Ceramic Valves



Single Deck Mount Faucet Body

Model No.	Description
TLL20-Y003-CCVZ	Ceramic Valves



Single Deck Mount Double Pantry Body

Model No.	Description
TLL50-Y001-CCVZ	Ceramic Valves, Pre-Rinse Body
TLL50-Y002-CCVZ	Ceramic Valves, Faucet Body



4" OC Elevated Deck Mount Faucet Body

Model No.	Description
TLL57-Y001-CCVZ	Ceramic Valves



8" OC Elevated Deck Mount Body

Model No.	Description
TLL61-Y001-CCVZ	Ceramic Valves, Pre-Rinse Body
TLL61-Y002-CCVZ	Ceramic Valves, Faucet Body



Gooseneck Spout Only

Model No.	Spout Size
KS11-06-X000-Z	3-1/2" (89mm) Swivel
KS11-06-X001-Z	8-1/2" (216mm) Swivel
KS11-06-X002-Z	6" (152mm) Swivel
KS11-06-X100-Z	3-1/2" (89mm) Rigid
KS11-06-X101-Z	8-1/2" (216mm) Rigid
KS11-06-X102-Z	6" (152mm) Rigid



Horizontal Spout Only

Model No.	Spout Size
KS11-06-X006-Z	6" (152mm)
KS11-06-X008-Z	8" (203mm)
KS11-06-X010-Z	10" (254mm)
KS11-06-X012-Z	12" (305mm)
KS11-06-X014-Z	14" (356mm)
KS11-06-X016-Z	16" (406mm)



Double Jointed Spout Extension

Model No.	Spout Size
KS11-06-X112	12" (305mm)



Double Jointed Spout

Model No.	Spout Size
KS11-06-X018-DJZ	18" (457mm)



Shoulder Bushing

Model No.	Description
KS11-06-PRING	For Top-Line Spouts Only



Old Style Compression Valve Repair Kit with Lever Handles

Model No.	Description
KL13-0010-Z	For Old Style TLL13 and TLL11 Series



Ceramic Valve Repair Kit with Lever Handles

Model No.	Description
TLL-0010-Z	For New Top-Line Ceramic Faucets

Will not replace old style Top-Line compression valves



Splash Faucet Mounting Kit

Model No.	Description
KL40-1000-Z	(2) 1/2" NPS Nipples, 1/2" NPT x 1/2" Sweat Ells Washers and Locknuts



Coupling

Model No.	Description
TLL13-Y007-CVZ	With Check Valve



Old Style Compression Valve Repair Kit

Model No.	Description
TLL15-0010-Z	For Old Style TLL15 Series



4" Wrist Blade Handles

Model No.	Description
TLL-0001-Z	For New Top-Line Ceramic Faucets



Deck Faucet Mounting Kit

Model No.	Description
KL60-Y010-Z	(2) 1/2" NPS Nipples, Washers and Locknuts



Standard Spray Head Repair Kit

Model No.	Description
TLL13-0200-Z	Includes 1.6gpm and 1.2gpm Spray Face, Bumper and Screw



Commercial Hoses



Add-On Faucets

Commercial w/out Grip	Hose Length
KC50-Y010-20Z	14" (356mm)
KC50-Y010-26Z	20" (508mm)
KC50-Y010-44Z	38" (965mm)
KC50-Y010-60Z	54" (1372mm)
KC50-Y010-72Z	66" (1676mm)
KC50-Y010-96Z	90" (2286mm)

Commercial Universal Fit w/Grip	Hose Length
KC50-Y004-20U	20" (508mm)
KC50-Y004-26U	26" (660mm)
KC50-Y004-44U	44" (1118mm)
KC50-Y004-60U	60" (1524mm)
KC50-Y004-72U	72" (1829mm)
KC50-Y004-96U	96" (2438mm)

Model No.	Spout Size	Use Suffix with Pre-Rinse
TLL55-7006-SE1Z	6" (152mm)	-AF1
TLL55-7008-SE1Z	8" (203mm)	-AF2
TLL55-7010-SE1Z	10" (254mm)	-AF3
TLL55-7012-SE1Z	12" (305mm)	-AF4
TLL55-7014-SE1Z	14" (356mm)	-AF5



Pre-Rinse Spray Valve



Spray Head Kit with Grip and Adapters



Low Lead Add-On Faucet Body

Model No.	Description
TLL13-Y003-12Z	1.2gpm
TLL13-Y003-16Z	1.6gpm

Model No.	Description
TLL13-0220-12Z	1.2gpm
TLL13-0220-16Z	1.6gpm
KL50-X194-Z	Chicago Grip Adapter 7/8" x 3/8" - 18 NPT
KL99-X102-Z	Adapter Converts Fisher Hose to Fit Encore Grip 7/8-20 x 3/4-14

Model No.	Description
TLL10-Y001-Z	Body Only



Replacement Spring



Hose Grip



Add-On Faucet Replacement Valve

Model No.	Description
K50-X033-Z	Chrome Plated

Model No.	Description
KN50-X025-SGZ	Standard Grip

Model No.	Description
KL55-Y010-Z	For TLL55/TLL10 Series

Chrome plated heavy-duty gooseneck spring, heat treated, nickel plated. Ensures convenient hose position and flexibility.



Pre-Rinse Top Half



Easy Install Riser Pipe



Rigid Riser Pipe

Model No.	Description
TLL13-Y000PRB	Riser, Hook, Spring, Wall Bracket, Hose and Spray Valve

Model No.	Height
KL50-Y226-18	18" (457mm)

Model No.	Length
KL50-X077-Z	18" (457mm)



Wall Bracket

Model No.	Description
K50-Y020-Z	12" (305mm) Long and May be Cut to Permit Adjustments Between 2" and 12" (51mm and 305mm)



Hook

Model No.	Description
K50-Y011-Z	Includes Hook and Screw



Rigid Tee Supply Kit

Model No.	Description
KL50-0500-Z	To Supply Water to Dishwashing Soap Systems



Spring Retainer

Model No.	Description
KL50-X032-Z	Spring Retainer for Pre-Rinse



Pre-Rinse Broom

Model No.	Description
KN50-XBR10-Z	Standard Pre-Rinse Spray Head Brush Attachment

*Will not work with PowerPulse spray



Pre-Rinse Button Valve

Model No.	Description
KL50-Y027-Z	Replacement Button Valve for Pre-Rinse Spray Valve



Swivel To Rigid Adapter

Model No.	Description
KL50-X122-Z	Converts Faucets with Swivel Spouts to Accept 3/8" NPT Male Riser Pipe or Rigid Gooseneck Spouts



Rigid to Swing Adapter

Model No.	Description
KL50-X075-Z	Converts 3/8" NPT Female Outlets to Accept Swing or Swivel Gooseneck Spouts



Quick Disconnect

Model No.	Description
KL50-QDISKTS	Retrofit Kit for T&S



Hose Adapter

Model No.	Description
KL50-X127-Z	Converts Encore Hose to fit Fisher Pre-Rinse



Hose Adapter

Model No.	Description
KL50-X128-Z	Converts Encore Hose to fit Chicago Pre-Rinse



Hose Adapter

Model No.	Description
KL50-X129-Z	Converts Standard Hose to Pre-Rinse to Male 1/2" NPT

Point of Purchase Plumbing Displays



Top-Line Retail Floor Display
CHG-TOPLINEFLOORDISP



Top-Line Countertop Display
CHG-TOPLINECTDISP

Increase your sales by displaying Top-Line's best selling products in colorful retail packaging while providing your customers with high quality choices.

Contact your local representative for more information.

TERMS & CONDITIONS

Terms of Payment - NET 30 days subject to satisfactory credit arrangements. (No shipments will be made to accounts which are in arrears.)

No Minimum Charge

Deliveries - Component Hardware® is not responsible for delays in deliveries due to circumstances beyond our control such as fires, strikes, transportation delays, material shortages, accidents or other contingencies of similar nature.

Returned Merchandise - No returned goods will be accepted without permission. A Returned Goods Authorization number is required prior to return, which can be obtained by calling Component Hardware at 800-526-3694. All returns must have the RGA Number posted on the exterior of all associated cartons.

No item will be accepted for return six months after invoice date. Freight charges for returned goods must be prepaid. All returned goods are subject to a 25% restocking charge and must be in complete and resalable condition. Items made to customers' specifications or specially ordered goods are not returnable.

Shortages - Any claims for shortage must be made immediately upon receipt of merchandise. Shortage claims will be invalid unless Component Hardware is notified in writing within 30 days of invoice date.

Special Products - If orders for items that are special (non-catalog) are cancelled, Component Hardware shall be reimbursed for any expense incurred in the purchase of raw or finished material and further processing thereof.

Product Changes - Although all items will be furnished as described unless otherwise indicated. However, we reserve the right to alter, modify, or redesign products without creating any liability for the obsolescence of customer inventories.

Taxes - Any federal, state or city taxes applicable will be added to prices shown. Clerical and printing errors and omissions are subject to correction. No representative, dealer, distributor or any other person is authorized or permitted to obligate this corporation to any liability, not strictly in accordance with the above policies.

LIMITED WARRANTY

PLEASE READ THIS LIMITED WARRANTY BEFORE INSTALLING OR USING ANY ENCORE® PRODUCT. IF THESE TERMS ARE NOT ACCEPTABLE TO YOU, IMMEDIATELY RETURN THE PRODUCT TO COMPONENT HARDWARE GROUP, INC. BEFORE INSTALLATION OR USE.

Component Hardware offers a three year warranty on all Encore Premium pre-rinses and electronic faucets. We offer a two year warranty on all other Encore products, with the exception of our commercial hoses, which carry a one year warranty. All TOP-LINE® products carry a one year warranty.

Encore premium plumbing products are manufactured to a rigid code of quality standards and subjected to extensive testing prior to shipment. We assure that each product leaves our factory in perfect working order. With proper care, Encore products will provide the user with years of satisfying service.

Component Hardware warrants to the original purchaser (other than for purposes of resale) of any Encore brand product that such product is free from defects in workmanship and materials for the warranty period from the original date of purchase. During this limited warranty period, if this product is found to be defective, Component Hardware will, at its option, repair and/or replace it. To obtain warranty service, products must be returned to Component Hardware Group, Inc., 1890 Swarthmore Avenue, Lakewood, New Jersey, 08701, using the aforementioned procedure for Returned Merchandise. Shipping, freight, insurance and other transportation charges of the returned product to Component Hardware and the return of the repaired or replaced product to the purchaser are the responsibility of the purchaser. Replacement and/or repair under this warranty shall be made within a reasonable time after receipt by Component Hardware of the returned product.

Any express warranty not provided herein and any remedy for breach of contract which but for this provision might arise by implication or operation of law, is hereby excluded and disclaimed. Any implied warranties of merchantability or fitness for a particular purpose are limited in duration to the above one-year period.

Under no circumstance shall Component Hardware be liable to purchaser or any other person for any loss of use of the product or any special or consequential costs, expenses or damages whether arising out of breach or warranty, breach of contract or otherwise incurred by the purchaser or any other user.

Some states do not allow limitations on how long an implied warranty lasts or the exclusion or limitation of incidental or consequential damages, so the above limitations or exclusions may not apply to you. This warranty gives you specific rights and you may also have other rights which vary from state to state.

All photographs and illustrations are considered to be a representation of the actual item. In some cases there may be slight variations.
This catalog, copy, part numbers and unique method of illustrating products is copyrighted by Component Hardware Group, Inc. All rights reserved.
No portion of this catalog may be reproduced in any form or by any means in whole or in part, without the written consent of Component Hardware.
Component Hardware reserves the right to make any and all changes and to discontinue any of its products without notice.
Not responsible for typographical errors.



COMPONENT
HARDWARE

1890 Swarthmore Avenue Lakewood, NJ 08701

Tel. 800-526-3694 • 732-363-4700 • Fax 732-364-8110 • www.componenthardware.com